



County of El Paso Purchasing Department
500 East San Antonio, Room 500
El Paso, Texas 79901
(915) 546-2048 / Fax: (915) 546-8180

ADDENDUM 2

To: All Interested Proposers

From: Linda Gonzalez, Inventory Bid Technician

Date: February 11, 2008

Subject: BID # 08-008, Roof Repair for the Mission Valley Annex

The Purchasing Department received questions relating to the above referenced proposal; the response to the following question:

1. What width catwalk is required?

2 Feet wide

2. Does the catwalk require handrails?

No

Under specifications:

B. Repair of Roofing Systems Paragraph

1. a.) Replacement of all damaged panels

3. What does the County maintenance department or purchasing department consider damaged?

(We observed some damage although minor to over 90% of the roofing panels. In our opinion less than 10% of the panels are damaged to the extent that they need replacement)

There are damaged panels around the a/c unit due to wear/tear weather.

4. What type of Material will be used for the catwalk?

Preferably, galvanized steel or equally durable product.

5. The proposal for the catwalk is based on what type or design? (Please provide drawing)

Perf-O-Grip Grating, or equivalent product. See Attached Diagram.

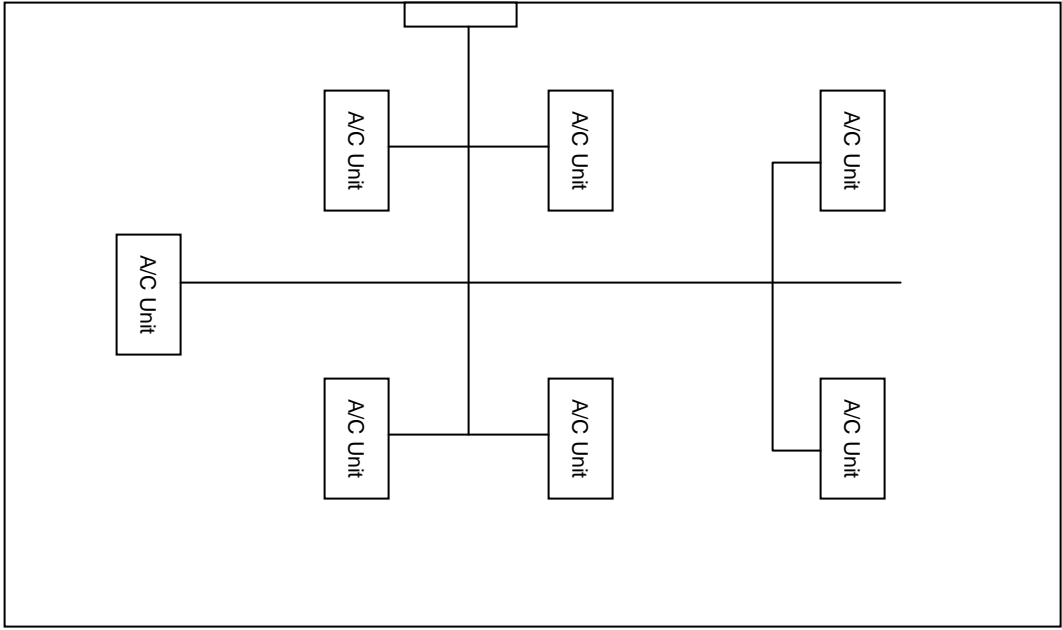
6. Type of the anchoring system for the catwalk?

P-Bolt seat provides a secure anchor of the grating to structure supports.

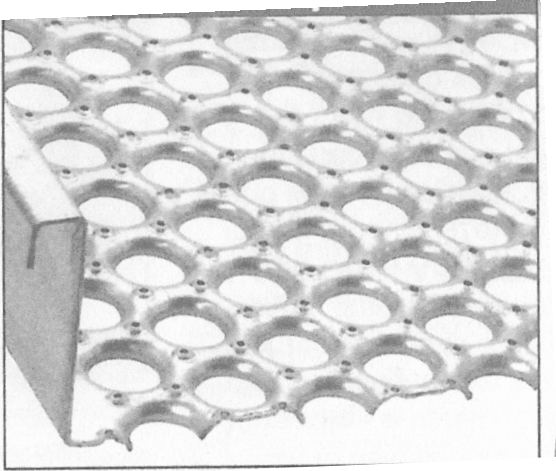
Mission Valley Annex
Roof Repair Bid No. 08-008
Catwalk Diagram

Illustration Purposes Only – Not to Scale

Entrance to
Agriculture Extension



Entrance to
JP#6



Catwalk Example
Galvanized Steel