

EL PASO COUNTY DETENTION FACILITY UPGRADE AND REPLACE THE SANITARY SEWER SYSTEM

ENGINEERING SERVICES NO. 13-056

601 E OVERLAND AVE, EL PASO, TEXAS 79901



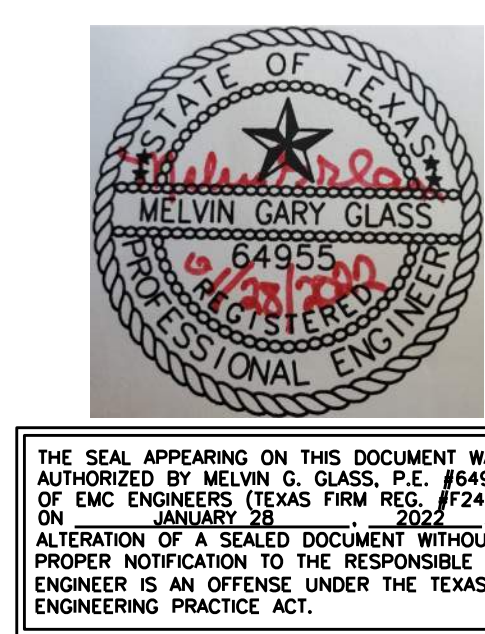
EMC ENGINEERS
2211 E. MISSOURI AVE. SUITE 312
EL PASO, TEXAS. 79903
PH: 915-781-2030
FAX: 915-781-2055
TEXAS FIRM REG. #F2491
EMC PROJECT #2108022

LEGAL DESCRIPTION
199 CAMPELL 1 OF 20
BLK (62400 SQFT)

SET NO.

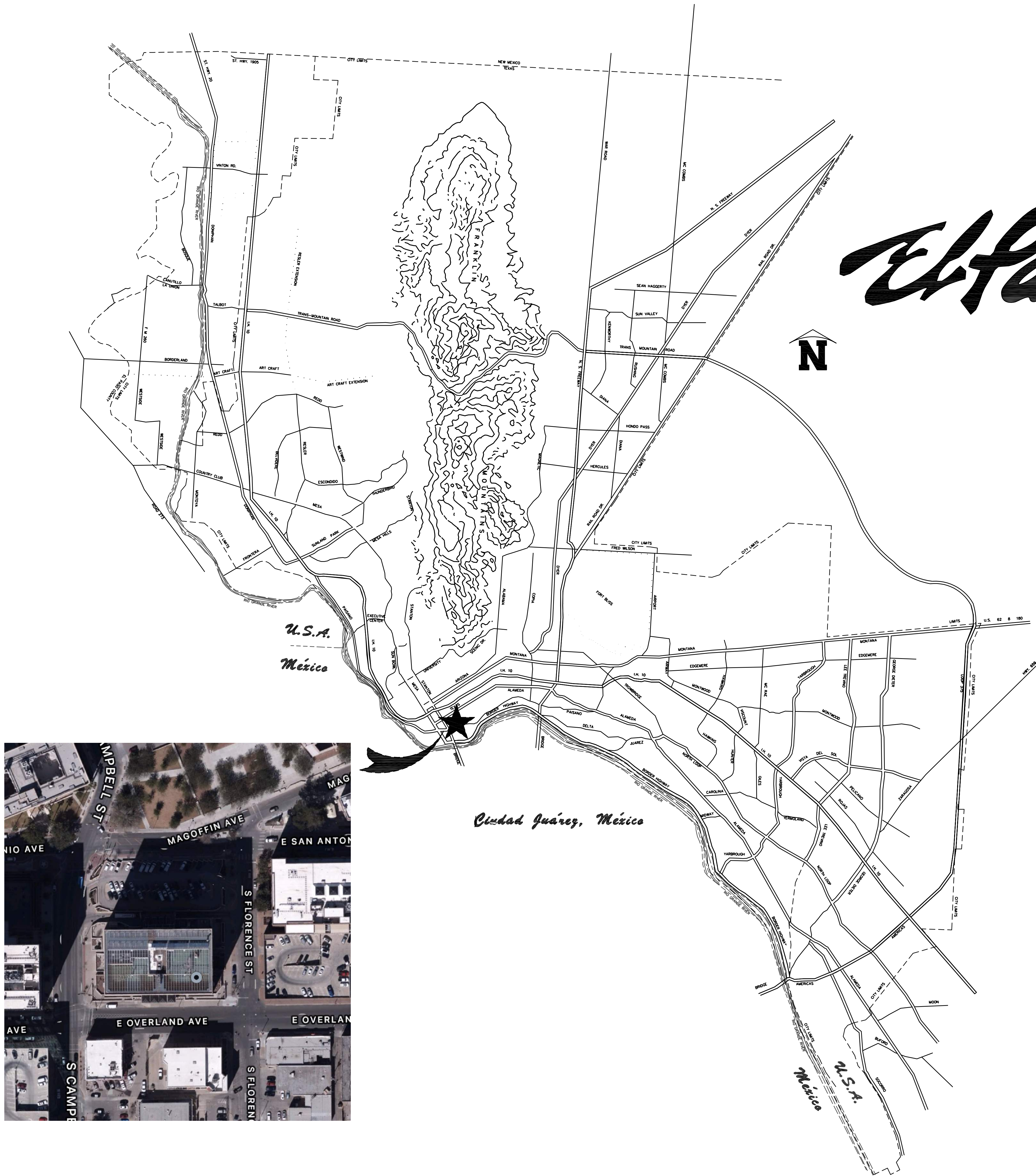
PROJECT NUMBER: EMC-2108022
DATE: JANUARY 28, 2022
100 PERCENT PERMIT SET

EL PASO COUNTY DETENTION FACILITY
UPGRADE AND REPLACE THE SANITARY SEWER SYSTEM



THE SEAL APPEARING ON THIS DOCUMENT WAS AUTHORIZED BY MELVIN G. GLASS, P.E. #64955 OF EMC ENGINEERS (STATE FIRM NO. #2491) ON JANUARY 22, 2022 (EXPIRES JANUARY 22, 2027). ALTERATION OF A SEALED DOCUMENT WITHOUT PROPER NOTIFICATION TO THE RESPONSIBLE ENGINEER IS AN OFFENSE UNDER THE TEXAS ENGINEERING PRACTICE ACT.

El Paso



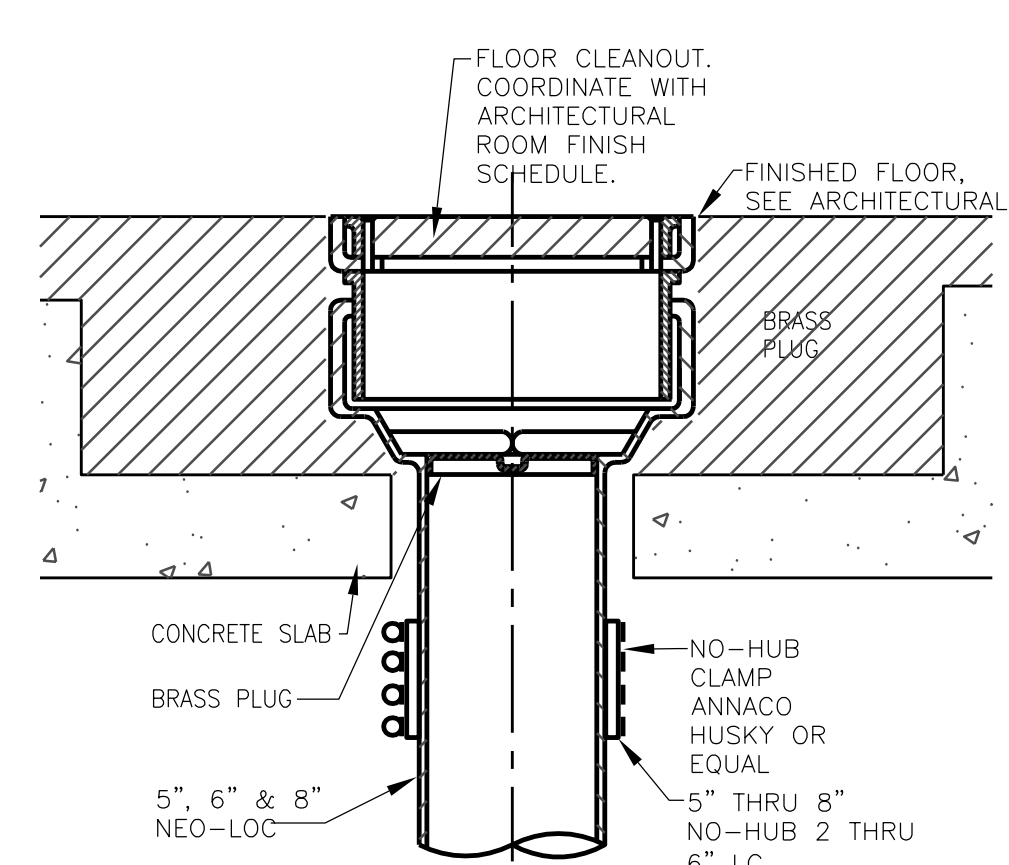
SHEET #	SHEET TITLE
COVER SHEET	
G-001	MAP AND SHEET INDEX
P-1.00	LEGEND, PLUMBING GENERAL NOTES, PLUMBING SCHEDULES
P-1.01	PLUMBING SCHEMATICS
P-1.02	PLUMBING SCHEMATICS AND SCHEDULES
P-1.03	SITE PLAN AND PHASE ORDER
P-2.00	EXISTING UNDERGROUND BASEMENT PLUMBING SEWER WASTE AND VENT PIPING DEMOLITION FLOOR PLAN, DEMOLITION KEYED NOTES
P-2.01	EXISTING FIRST FLOOR PLUMBING SEWER WASTE AND VENT PIPING DEMOLITION FLOOR PLAN, DEMOLITION KEYED NOTES
P-2.02	EXISTING SECOND FLOOR PLUMBING SEWER WASTE AND VENT PIPING DEMOLITION FLOOR PLAN, DEMOLITION KEYED NOTES
P-2.03	EXISTING THIRD FLOOR PLUMBING SEWER WASTE AND VENT PIPING DEMOLITION FLOOR PLAN, DEMOLITION KEYED NOTES
P-2.04	EXISTING FOURTH FLOOR PLUMBING SEWER WASTE AND VENT PIPING DEMOLITION FLOOR PLAN, DEMOLITION KEYED NOTES
P-2.05	EXISTING FIFTH FLOOR PLUMBING SEWER WASTE AND VENT PIPING DEMOLITION FLOOR PLAN, DEMOLITION KEYED NOTES
P-2.06	EXISTING SIXTH FLOOR PLUMBING SEWER WASTE AND VENT PIPING DEMOLITION FLOOR PLAN, DEMOLITION KEYED NOTES
P-2.07	EXISTING SEVENTH FLOOR PLUMBING SEWER WASTE AND VENT PIPING DEMOLITION FLOOR PLAN, DEMOLITION KEYED NOTES
P-2.08	EXISTING EIGHTH FLOOR PLUMBING SEWER WASTE AND VENT PIPING DEMOLITION FLOOR PLAN, DEMOLITION KEYED NOTES
P-2.09	EXISTING NINTH FLOOR PLUMBING SEWER WASTE AND VENT PIPING DEMOLITION FLOOR PLAN, DEMOLITION KEYED NOTES
P-2.10	EXISTING TENTH FLOOR PLUMBING SEWER WASTE AND VENT PIPING DEMOLITION FLOOR PLAN, DEMOLITION KEYED NOTES
P-2.11	EXISTING ELEVENTH FLOOR PLUMBING SEWER WASTE AND VENT PIPING DEMOLITION FLOOR PLAN, DEMOLITION KEYED NOTES
P-2.12	EXISTING TWELFTH FLOOR AND ENLARGED ROOF PLUMBING SEWER WASTE AND VENT PIPING DEMOLITION FLOOR PLAN, DEMOLITION KEYED NOTES
P-3.00	SECOND FLOOR ENLARGED DEMOLITION PLUMBING SEWER WASTE AND VENT PIPING FLOOR PLANS, DEMOLITION KEYED NOTES
P-3.01	THIRD FLOOR ENLARGED DEMOLITION PLUMBING SEWER WASTE AND VENT PIPING FLOOR PLANS, DEMOLITION KEYED NOTES
P-3.02	THIRD FLOOR ENLARGED DEMOLITION PLUMBING SEWER WASTE AND VENT PIPING FLOOR PLANS, DEMOLITION KEYED NOTES
P-3.03	FOURTH FLOOR ENLARGED DEMOLITION PLUMBING SEWER WASTE AND VENT PIPING FLOOR PLANS, DEMOLITION KEYED NOTES
P-3.04	FOURTH FLOOR ENLARGED DEMOLITION PLUMBING SEWER WASTE AND VENT PIPING FLOOR PLANS, DEMOLITION KEYED NOTES
P-3.05	FIFTH FLOOR ENLARGED DEMOLITION PLUMBING SEWER WASTE AND VENT PIPING FLOOR PLANS, DEMOLITION KEYED NOTES
P-3.06	FIFTH FLOOR ENLARGED DEMOLITION PLUMBING SEWER WASTE AND VENT PIPING FLOOR PLANS, DEMOLITION KEYED NOTES
P-3.07	SIXTH FLOOR ENLARGED DEMOLITION PLUMBING SEWER WASTE AND VENT PIPING FLOOR PLANS, DEMOLITION KEYED NOTES
P-3.08	SIXTH FLOOR ENLARGED DEMOLITION PLUMBING SEWER WASTE AND VENT PIPING FLOOR PLANS, DEMOLITION KEYED NOTES
P-3.09	SEVENTH FLOOR ENLARGED DEMOLITION PLUMBING SEWER WASTE AND VENT PIPING FLOOR PLANS, DEMOLITION KEYED NOTES
P-3.10	SEVENTH FLOOR ENLARGED DEMOLITION PLUMBING SEWER WASTE AND VENT PIPING FLOOR PLANS, DEMOLITION KEYED NOTES
P-3.11	EIGHTH FLOOR ENLARGED DEMOLITION PLUMBING SEWER WASTE AND VENT PIPING FLOOR PLANS, DEMOLITION KEYED NOTES
P-3.12	EIGHTH FLOOR ENLARGED DEMOLITION PLUMBING SEWER WASTE AND VENT PIPING FLOOR PLANS, DEMOLITION KEYED NOTES
P-3.13	NINTH FLOOR ENLARGED DEMOLITION PLUMBING SEWER WASTE AND VENT PIPING FLOOR PLANS, DEMOLITION KEYED NOTES
P-3.14	NINTH FLOOR ENLARGED DEMOLITION PLUMBING SEWER WASTE AND VENT PIPING FLOOR PLANS, DEMOLITION KEYED NOTES
P-3.15	TENTH FLOOR ENLARGED DEMOLITION PLUMBING SEWER WASTE AND VENT PIPING FLOOR PLANS, DEMOLITION KEYED NOTES
P-3.16	TENTH FLOOR ENLARGED DEMOLITION PLUMBING SEWER WASTE AND VENT PIPING FLOOR PLANS, DEMOLITION KEYED NOTES
P-3.17	ELEVENTH FLOOR ENLARGED DEMOLITION PLUMBING SEWER WASTE AND VENT PIPING FLOOR PLANS, DEMOLITION KEYED NOTES
P-3.18	ELEVENTH FLOOR ENLARGED DEMOLITION PLUMBING SEWER WASTE AND VENT PIPING FLOOR PLANS, DEMOLITION KEYED NOTES
P-4.00	UNDERGROUND BASEMENT PLUMBING SEWER WASTE AND VENT PIPING REMODEL FLOOR PLAN, REMODEL KEYED NOTES
P-4.01	FIRST FLOOR PLUMBING SEWER WASTE AND VENT PIPING REMODEL FLOOR PLAN, REMODEL KEYED NOTES
P-4.02	SECOND FLOOR PLUMBING SEWER WASTE AND VENT PIPING REMODEL FLOOR PLAN, REMODEL KEYED NOTES
P-4.03	THIRD FLOOR PLUMBING SEWER WASTE AND VENT PIPING REMODEL FLOOR PLAN, REMODEL KEYED NOTES
P-4.04	FOURTH FLOOR PLUMBING SEWER WASTE AND VENT PIPING REMODEL FLOOR PLAN, REMODEL KEYED NOTES
P-4.05	FIFTH FLOOR PLUMBING SEWER WASTE AND VENT PIPING REMODEL FLOOR PLAN, REMODEL KEYED NOTES
P-4.06	SIXTH FLOOR PLUMBING SEWER WASTE AND VENT PIPING REMODEL FLOOR PLAN, REMODEL KEYED NOTES
P-4.07	SEVENTH FLOOR PLUMBING SEWER WASTE AND VENT PIPING REMODEL FLOOR PLAN, REMODEL KEYED NOTES
P-4.08	EIGHTH FLOOR PLUMBING SEWER WASTE AND VENT PIPING REMODEL FLOOR PLAN, REMODEL KEYED NOTES
P-4.09	NINTH FLOOR PLUMBING SEWER WASTE AND VENT PIPING REMODEL FLOOR PLAN, REMODEL KEYED NOTES
P-4.10	TENTH FLOOR PLUMBING SEWER WASTE AND VENT PIPING REMODEL FLOOR PLAN, REMODEL KEYED NOTES
P-4.11	ELEVENTH FLOOR PLUMBING SEWER WASTE AND VENT PIPING REMODEL FLOOR PLAN, REMODEL KEYED NOTES
P-4.12	TWELFTH FLOOR AND ENLARGED ROOF PLUMBING SEWER WASTE AND VENT PIPING REMODEL FLOOR PLANS, REMODEL KEYED NOTES
P-4.13	NORTH RISER ELEVATION
P-4.14	CENTER RISER ELEVATION
P-4.15	SOUTH RISER ELEVATION
P-5.00	BUILDING BASEMENT AND SITE PLAN PLUMBING DEMOLITION AND REMODEL FLOOR PLANS, DEMOLITION AND REMODEL KEYED NOTES
P-5.01	SECOND FLOOR ISOMETRICS AND ENLARGED REMODEL PLUMBING SEWER WASTE AND VENT PIPING FLOOR PLANS, REMODEL KEYED NOTES
P-5.02	SECOND FLOOR ISOMETRICS AND ENLARGED REMODEL PLUMBING SEWER WASTE AND VENT PIPING FLOOR PLANS, REMODEL KEYED NOTES
P-5.03	THIRD FLOOR ISOMETRICS AND ENLARGED REMODEL PLUMBING SEWER WASTE AND VENT PIPING FLOOR PLANS, REMODEL KEYED NOTES
P-5.04	THIRD FLOOR ISOMETRICS AND ENLARGED REMODEL PLUMBING SEWER WASTE AND VENT PIPING FLOOR PLANS, REMODEL KEYED NOTES
P-5.05	THIRD FLOOR ISOMETRICS AND ENLARGED REMODEL PLUMBING SEWER WASTE AND VENT PIPING FLOOR PLANS, REMODEL KEYED NOTES
P-5.06	THIRD FLOOR ISOMETRICS AND ENLARGED REMODEL PLUMBING SEWER WASTE AND VENT PIPING FLOOR PLANS, REMODEL KEYED NOTES
P-5.07	FOURTH FLOOR ISOMETRICS AND ENLARGED REMODEL PLUMBING SEWER WASTE AND VENT PIPING FLOOR PLANS, REMODEL KEYED NOTES
P-5.08	FOURTH FLOOR ISOMETRICS AND ENLARGED REMODEL PLUMBING SEWER WASTE AND VENT PIPING FLOOR PLANS, REMODEL KEYED NOTES
P-5.09	FOURTH FLOOR ISOMETRICS AND ENLARGED REMODEL PLUMBING SEWER WASTE AND VENT PIPING FLOOR PLANS, REMODEL KEYED NOTES
P-5.10	FOURTH FLOOR ISOMETRICS AND ENLARGED REMODEL PLUMBING SEWER WASTE AND VENT PIPING FLOOR PLANS, REMODEL KEYED NOTES
P-5.11	FIFTH FLOOR ISOMETRICS AND ENLARGED REMODEL PLUMBING SEWER WASTE AND VENT PIPING FLOOR PLANS, REMODEL KEYED NOTES
P-5.12	FIFTH FLOOR ISOMETRICS AND ENLARGED REMODEL PLUMBING SEWER WASTE AND VENT PIPING FLOOR PLANS, REMODEL KEYED NOTES
P-5.13	FIFTH FLOOR ISOMETRICS AND ENLARGED REMODEL PLUMBING SEWER WASTE AND VENT PIPING FLOOR PLANS, REMODEL KEYED NOTES
P-5.14	FIFTH FLOOR ISOMETRICS AND ENLARGED REMODEL PLUMBING SEWER WASTE AND VENT PIPING FLOOR PLANS, REMODEL KEYED NOTES
P-5.15	SIXTH FLOOR ISOMETRICS AND ENLARGED REMODEL PLUMBING SEWER WASTE AND VENT PIPING FLOOR PLANS, REMODEL KEYED NOTES
P-5.16	SIXTH FLOOR ISOMETRICS AND ENLARGED REMODEL PLUMBING SEWER WASTE AND VENT PIPING FLOOR PLANS, REMODEL KEYED NOTES
P-5.17	SIXTH FLOOR ISOMETRICS AND ENLARGED REMODEL PLUMBING SEWER WASTE AND VENT PIPING FLOOR PLANS, REMODEL KEYED NOTES
P-5.18	SIXTH FLOOR ISOMETRICS AND ENLARGED REMODEL PLUMBING SEWER WASTE AND VENT PIPING FLOOR PLANS, REMODEL KEYED NOTES
P-5.19	SEVENTH FLOOR ISOMETRICS AND ENLARGED REMODEL PLUMBING SEWER WASTE AND VENT PIPING FLOOR PLANS, REMODEL KEYED NOTES
P-5.20	SEVENTH FLOOR ISOMETRICS AND ENLARGED REMODEL PLUMBING SEWER WASTE AND VENT PIPING FLOOR PLANS, REMODEL KEYED NOTES
P-5.21	SEVENTH FLOOR ISOMETRICS AND ENLARGED REMODEL PLUMBING SEWER WASTE AND VENT PIPING FLOOR PLANS, REMODEL KEYED NOTES
P-5.22	SEVENTH FLOOR ISOMETRICS AND ENLARGED REMODEL PLUMBING SEWER WASTE AND VENT PIPING FLOOR PLANS, REMODEL KEYED NOTES
P-5.23	EIGHTH FLOOR ISOMETRICS AND ENLARGED REMODEL PLUMBING SEWER WASTE AND VENT PIPING FLOOR PLANS, REMODEL KEYED NOTES
P-5.24	EIGHTH FLOOR ISOMETRICS AND ENLARGED REMODEL PLUMBING SEWER WASTE AND VENT PIPING FLOOR PLANS, REMODEL KEYED NOTES
P-5.25	EIGHTH FLOOR ISOMETRICS AND ENLARGED REMODEL PLUMBING SEWER WASTE AND VENT PIPING FLOOR PLANS, REMODEL KEYED NOTES
P-5.26	EIGHTH FLOOR ISOMETRICS AND ENLARGED REMODEL PLUMBING SEWER WASTE AND VENT PIPING FLOOR PLANS, REMODEL KEYED NOTES
P-5.27	NINTH FLOOR ISOMETRICS AND ENLARGED REMODEL PLUMBING SEWER WASTE AND VENT PIPING FLOOR PLANS, REMODEL KEYED NOTES
P-5.28	NINTH FLOOR ISOMETRICS AND ENLARGED REMODEL PLUMBING SEWER WASTE AND VENT PIPING FLOOR PLANS, REMODEL KEYED NOTES
P-5.29	NINTH FLOOR ISOMETRICS AND ENLARGED REMODEL PLUMBING SEWER WASTE AND VENT PIPING FLOOR PLANS, REMODEL KEYED NOTES
P-5.30	NINTH FLOOR ISOMETRICS AND ENLARGED REMODEL PLUMBING SEWER WASTE AND VENT PIPING FLOOR PLANS, REMODEL KEYED NOTES
P-5.31	TENTH FLOOR ISOMETRICS AND ENLARGED REMODEL PLUMBING SEWER WASTE AND VENT PIPING FLOOR PLANS, REMODEL KEYED NOTES
P-5.32	TENTH FLOOR ISOMETRICS AND ENLARGED REMODEL PLUMBING SEWER WASTE AND VENT PIPING FLOOR PLANS, REMODEL KEYED NOTES
P-5.33	TENTH FLOOR ISOMETRICS AND ENLARGED REMODEL PLUMBING SEWER WASTE AND VENT PIPING FLOOR PLANS, REMODEL KEYED NOTES
P-5.34	TENTH FLOOR ISOMETRICS AND ENLARGED REMODEL PLUMBING SEWER WASTE AND VENT PIPING FLOOR PLANS, REMODEL KEYED NOTES
P-5.35	ELEVENTH FLOOR ISOMETRICS AND ENLARGED REMODEL PLUMBING SEWER WASTE AND VENT PIPING FLOOR PLANS, REMODEL KEYED NOTES
P-5.36	ELEVENTH FLOOR ISOMETRICS AND ENLARGED REMODEL PLUMBING SEWER WASTE AND VENT PIPING FLOOR PLANS, REMODEL KEYED NOTES
P-5.37	ELEVENTH FLOOR ISOMETRICS AND ENLARGED REMODEL PLUMBING SEWER WASTE AND VENT PIPING FLOOR PLANS, REMODEL KEYED NOTES
P-5.38	ELEVENTH FLOOR ISOMETRICS AND ENLARGED REMODEL PLUMBING SEWER WASTE AND VENT PIPING FLOOR PLANS, REMODEL KEYED NOTES
ELECTRICAL	
E-1.00	LEGEND, ELECTRICAL GENERAL NOTES, ELECTRICAL SCHEDULES, PARTIAL ELECTRICAL RISER DIAGRAM
E-2.00	BASEMENT PARTIAL FLOOR PLANS, DEMOLITION & REMODEL KEYED NOTES

Project:	UPGRADE AND REPLACE THE SANITARY SEWER SYSTEM AT THE EL PASO COUNTY DETENTION FACILITY
Location:	601 E OVERLAND STREET EL PASO, TEXAS
Job Number:	EMC-2108022
Date:	11/23/2021
Scale:	A5 SHOWN
Sheet	G-001
2 of X	

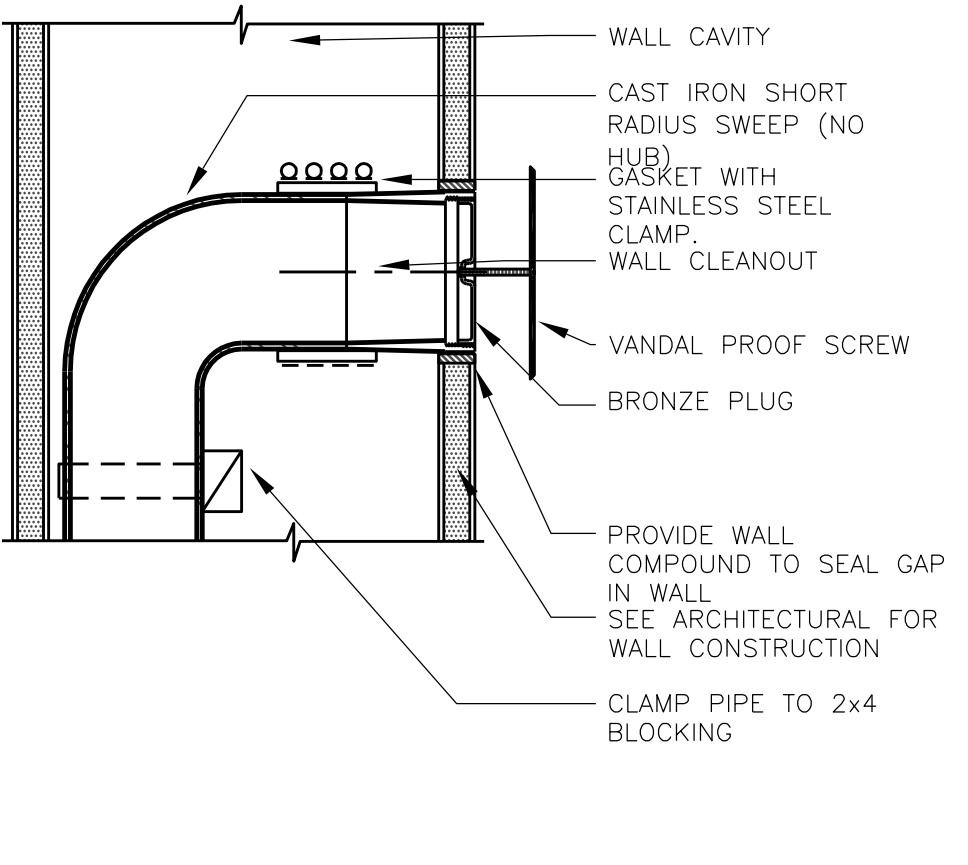
THIS DOCUMENT, WHETHER IN HARD COPY OR MACHINE READABLE FORMAT, IS COPYRIGHTED AND AN INSTRUMENT OF SERVICES IN RESPECT TO THE PROJECT FOR WHICH IT WAS PREPARED. THIS DOCUMENT IS NOT INTENDED OR AUTHORIZED FOR REUSE BY ANY PARTY ON EXTENSIONS OF SUCH PROJECT OR ANY OTHER PROJECT. ANY REUSE, INCLUDING COPYING AND/OR MODIFYING THE DOCUMENT, WITHOUT WRITTEN PERMISSION FROM EMC ENGINEERS FOR THE SPECIFIC PURPOSE INTENDED IS A VIOLATION OF FEDERAL COPYRIGHT LAW. UNAUTHORIZED USE OF THIS MATERIAL MAY RESULT IN CIVIL AND/OR CRIMINAL PENALTIES. COPYRIGHT 2013 EMC ENGINEERS.



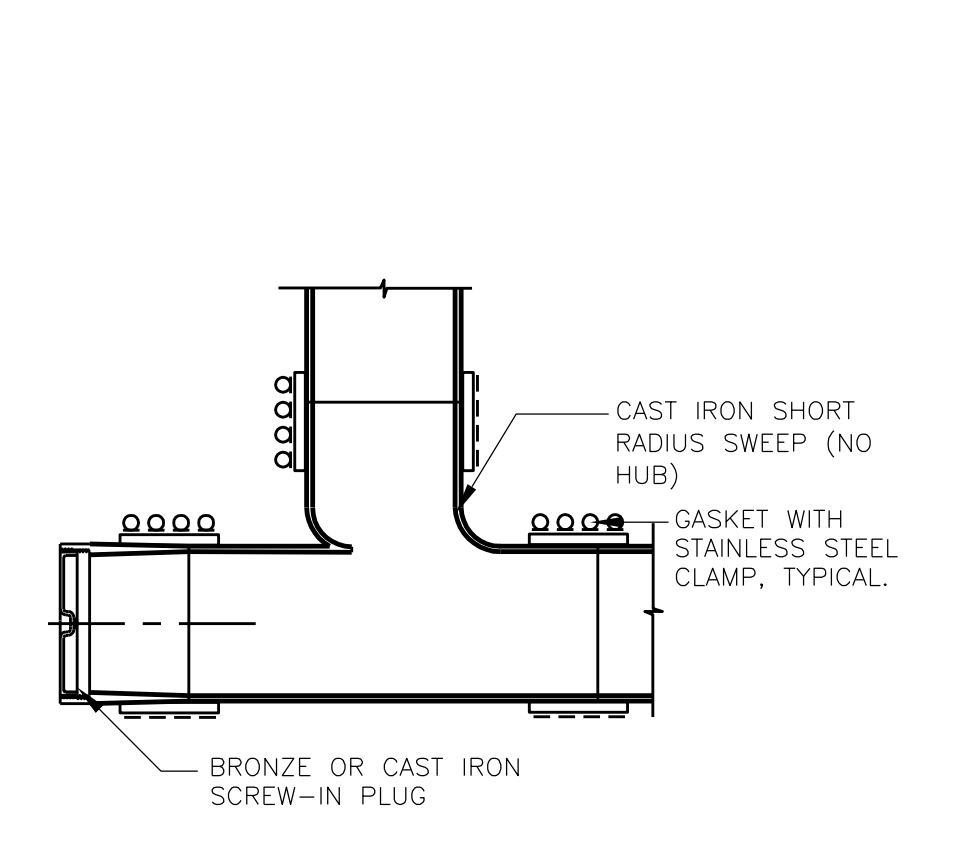
THE SEAL APPEARING ON THIS DOCUMENT WAS AUTHORIZED BY MELVIN G. GLASS, P.E. #64935 ON JANUARY 28, 2022. ANY ALTERATION OF A SEALED DOCUMENT WITHOUT PROPER NOTIFICATION TO THE RESPONSIBLE ENGINEER IS AN OFFENSE UNDER THE TEXAS ENGINEERING PRACTICE ACT.



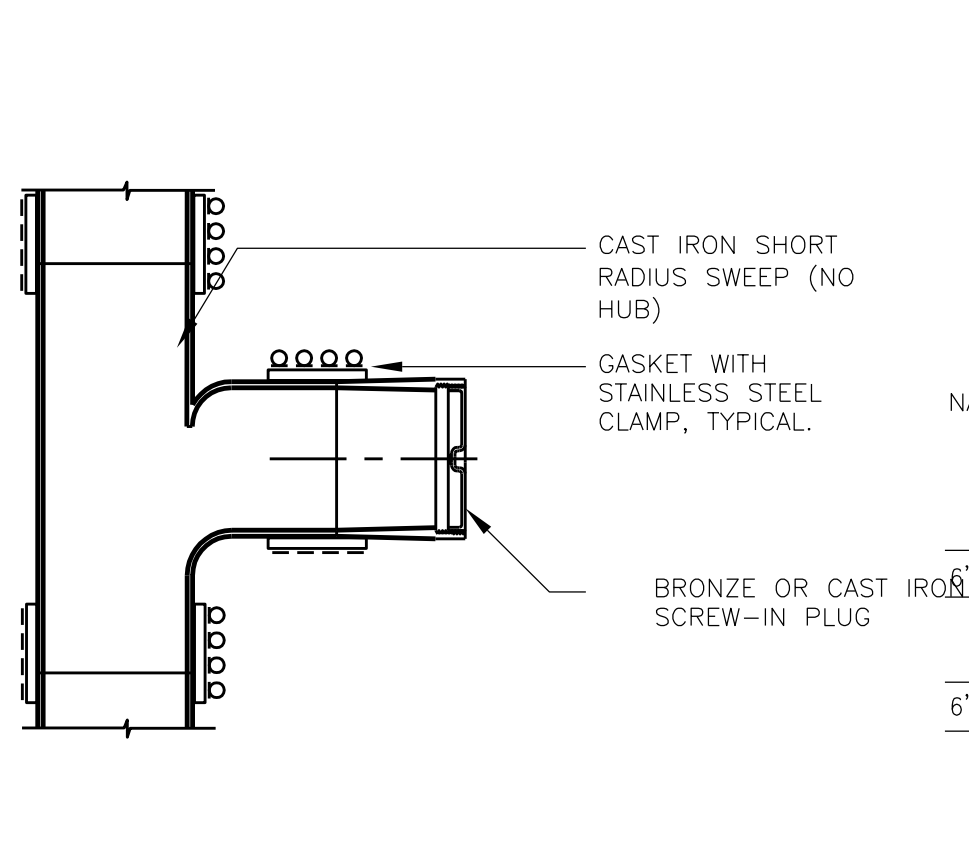
1 FLOOR CLEANOUT SCHEMATIC
SCALE NONE



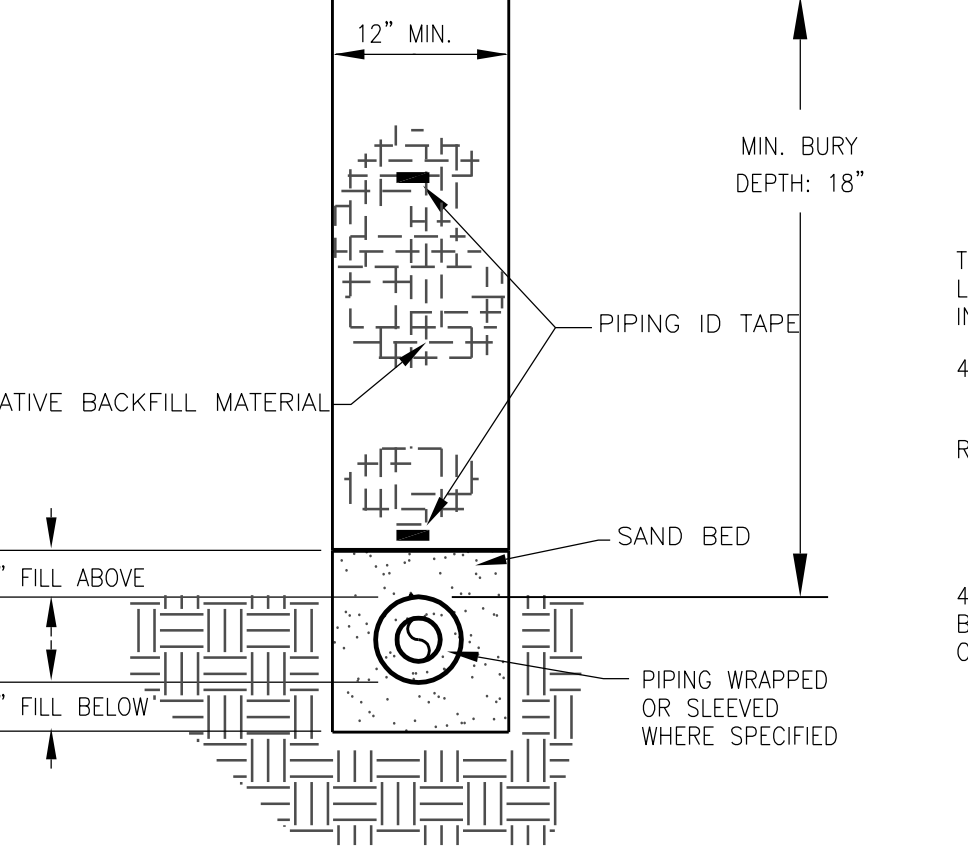
2 WALL CLEANOUT SCHEMATIC
SCALE NONE



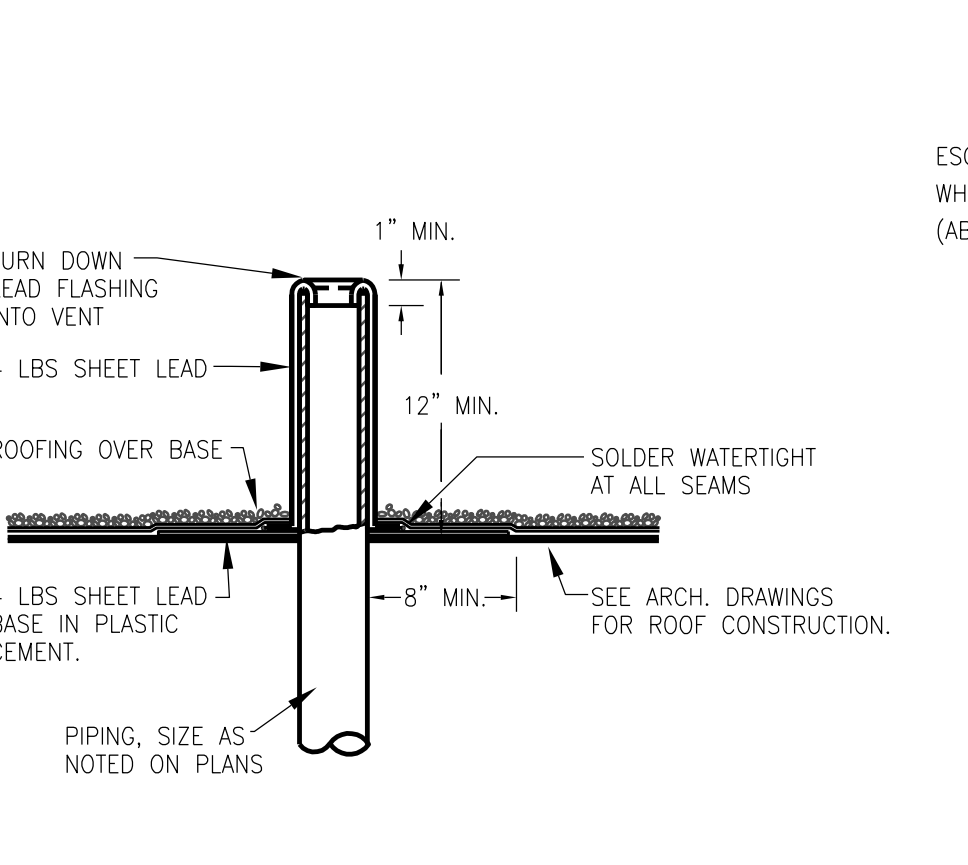
3 INLINE CLEANOUT SCHEMATIC
SCALE NONE



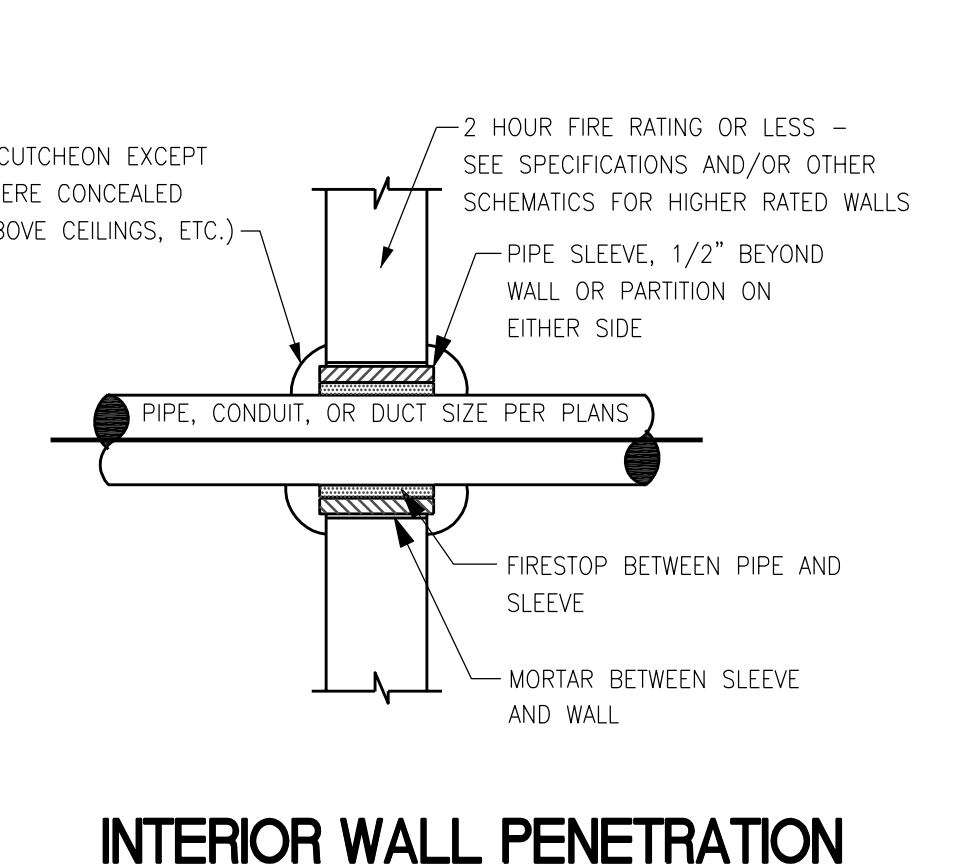
4 ANGLE CLEANOUT SCHEMATIC
SCALE NONE



5 PIPING TRENCH SCHEMATIC
SCALE NONE



6 VENT THRU ROOF SCHEMATIC
SCALE NONE



7 INTERIOR WALL PENETRATION NON-INSULATED PIPING
SCALE NONE



8 TYPICAL PIPE PENETRATION THRU FLOOR SCHEMATIC
SCALE NONE



9 PIPE HANGING SCHEMATIC
SCALE NONE



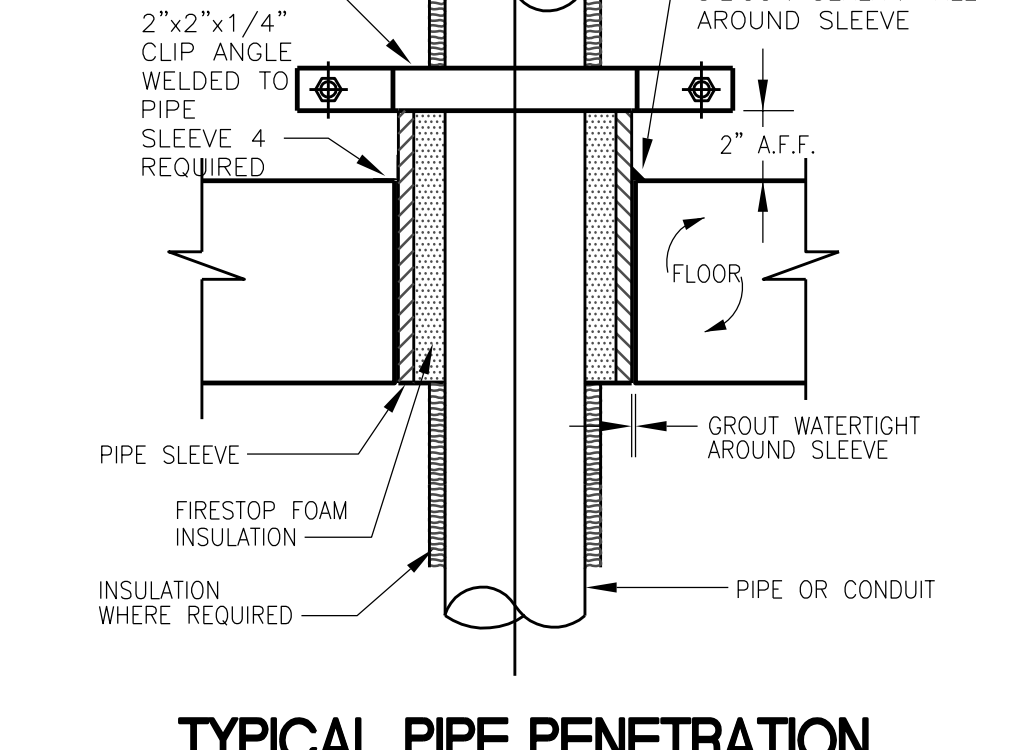
10 SEWER RISER PIPING OFFSET SCHEMATIC
SCALE NONE



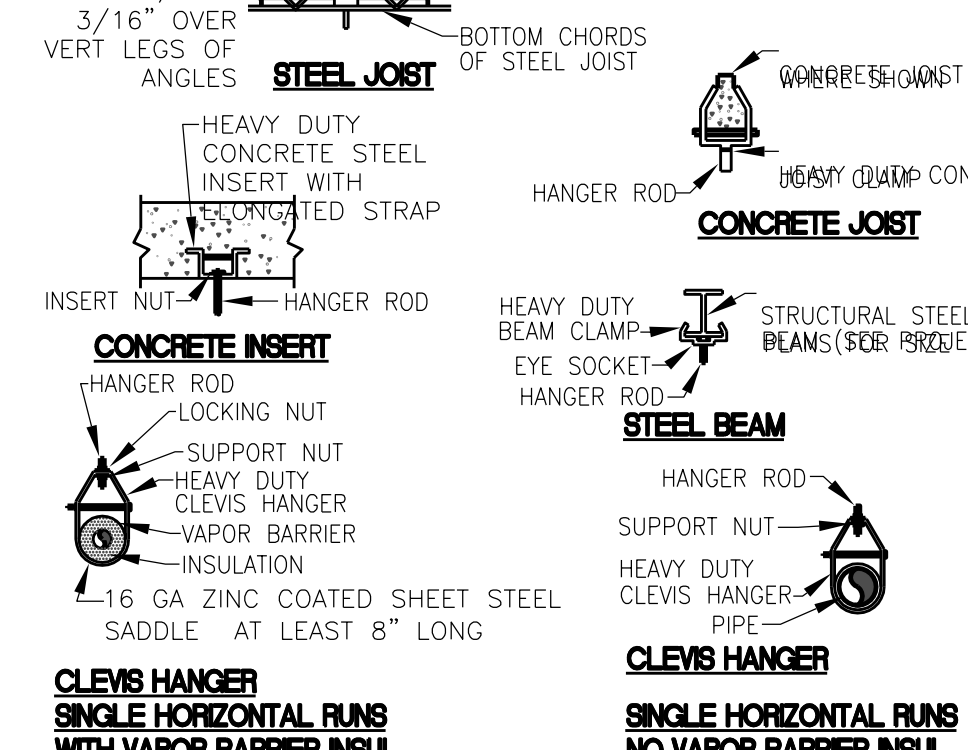
11 CHASE FLOOR DRAIN TRAP PRIMER ASSEMBLY
SCALE NONE



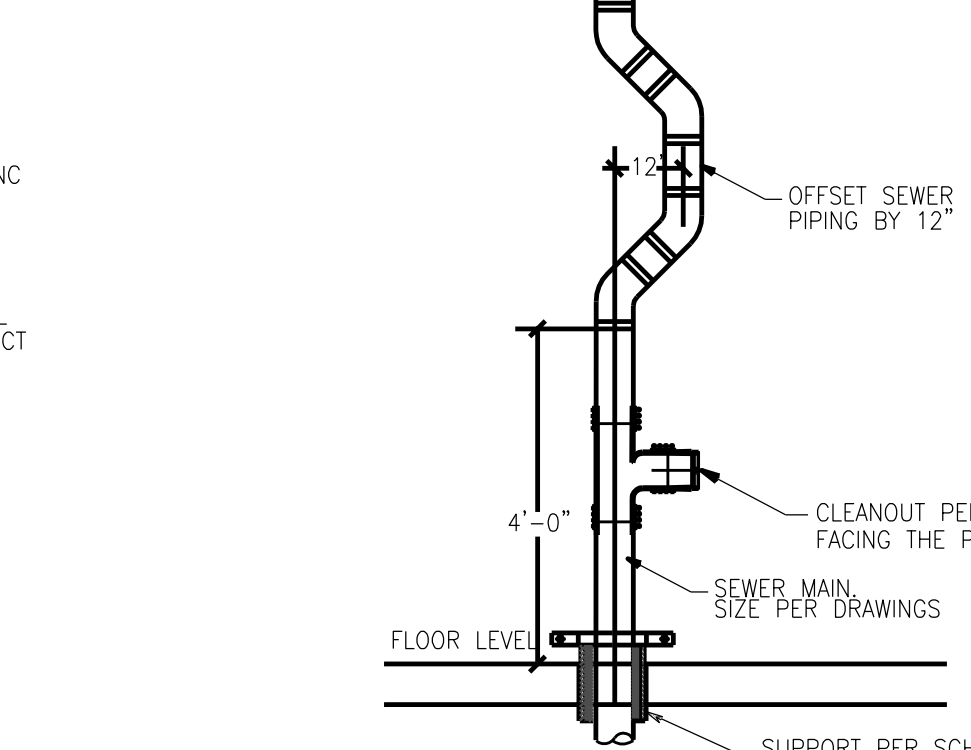
12 PIPE HANGER SCHEMATICS - SEE INSULATED PIPE SUPPORT SCHEMATICS FOR INSULATED PIPING
SCALE NONE



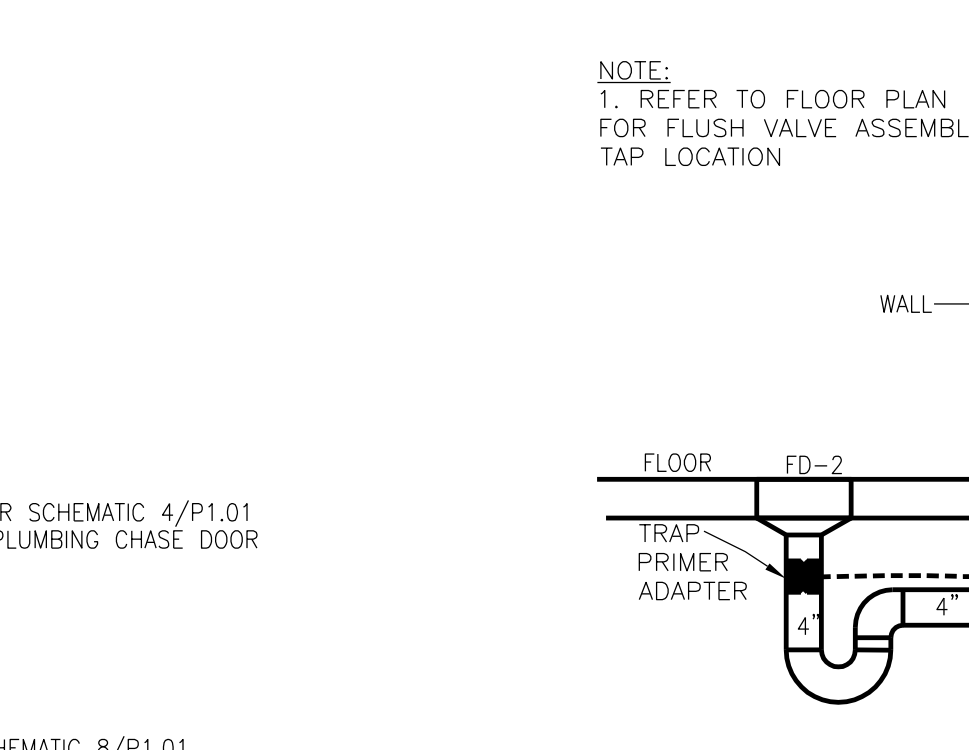
13 SINGLE WATERCLOSET RISER SCHEMATIC
SCALE NONE



14 MOP SERVICE BASIN MODIFICATION
SCALE NONE

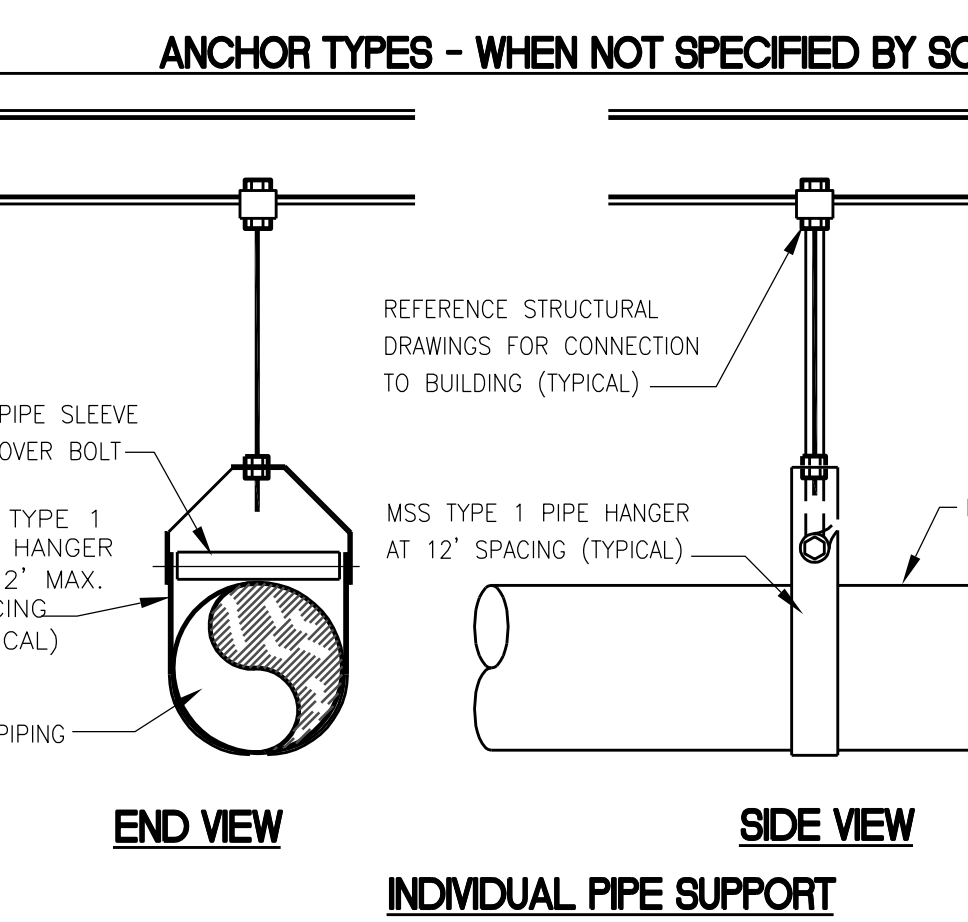


15 LINT INTERCEPTOR
SCALE NONE

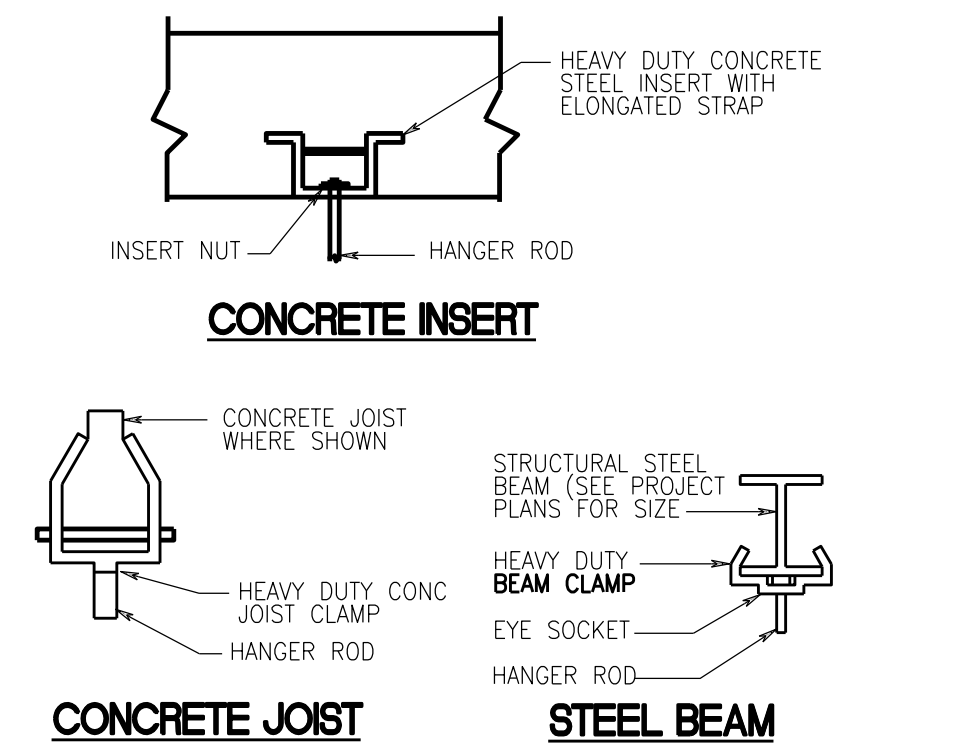


16 GREASE TRAP SCHEMATIC
SCALE NONE

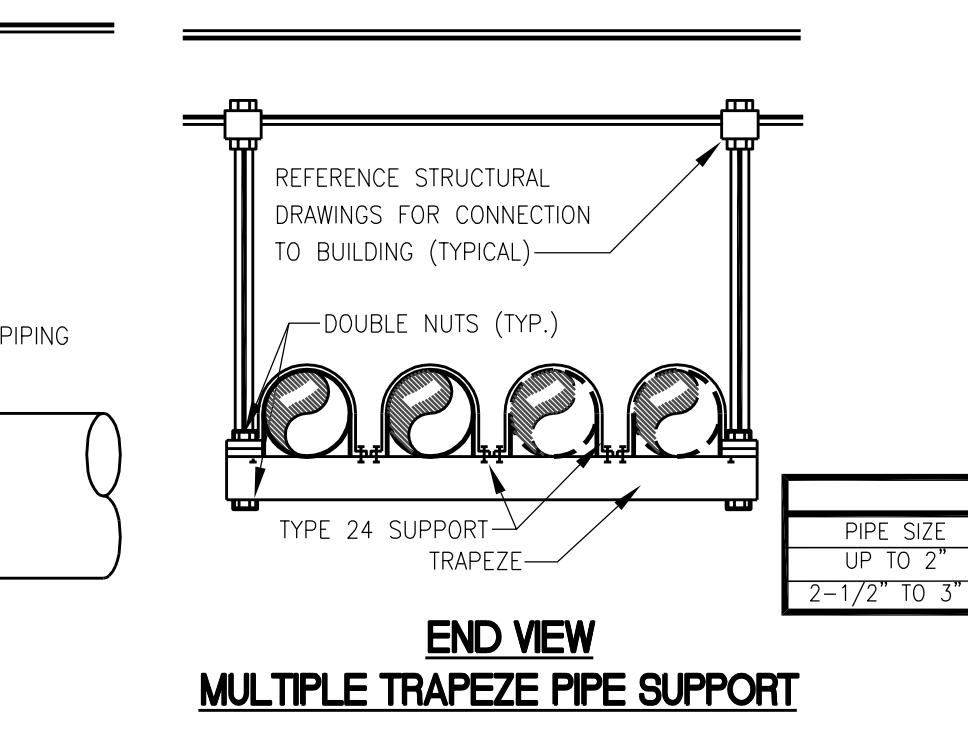
HANGER ROD SCHEDULE			
PIPE SIZE	ROD SIZE	PIPE SIZE	ROD SIZE
UP TO 2"	3/8" DIA.	4" THRU 6"	5/8" DIA.
2-1/2" TO 3"	1/2" DIA.	6" THRU 12"	7/8" DIA.



Anchor Types - When Not Specified by Structural



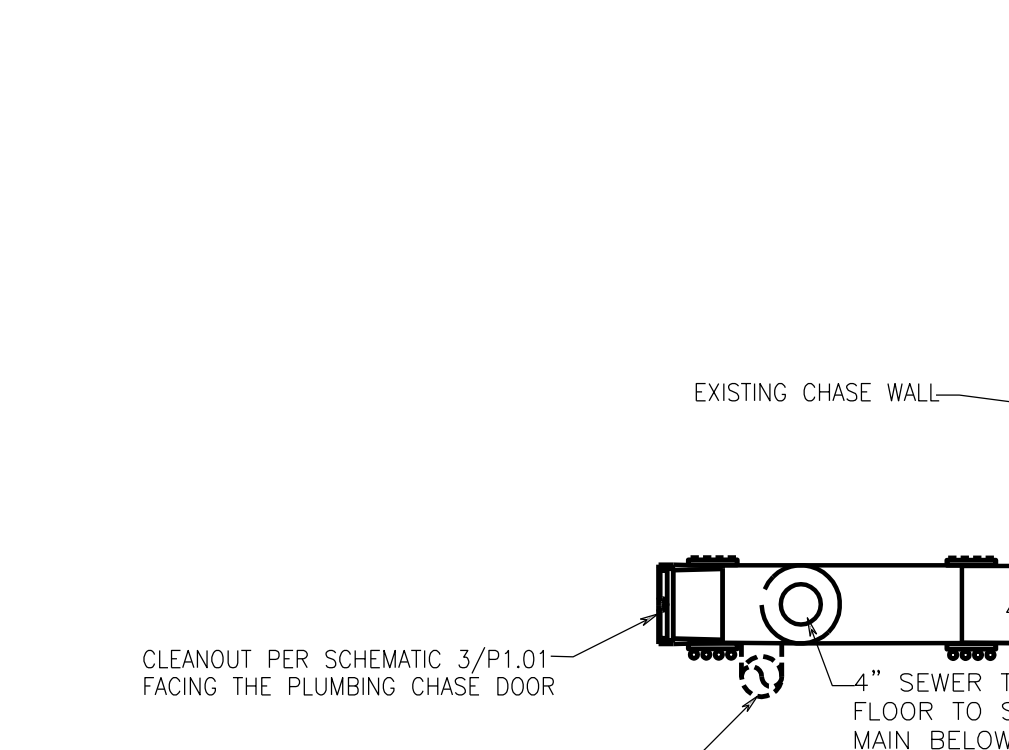
STEEL JOIST



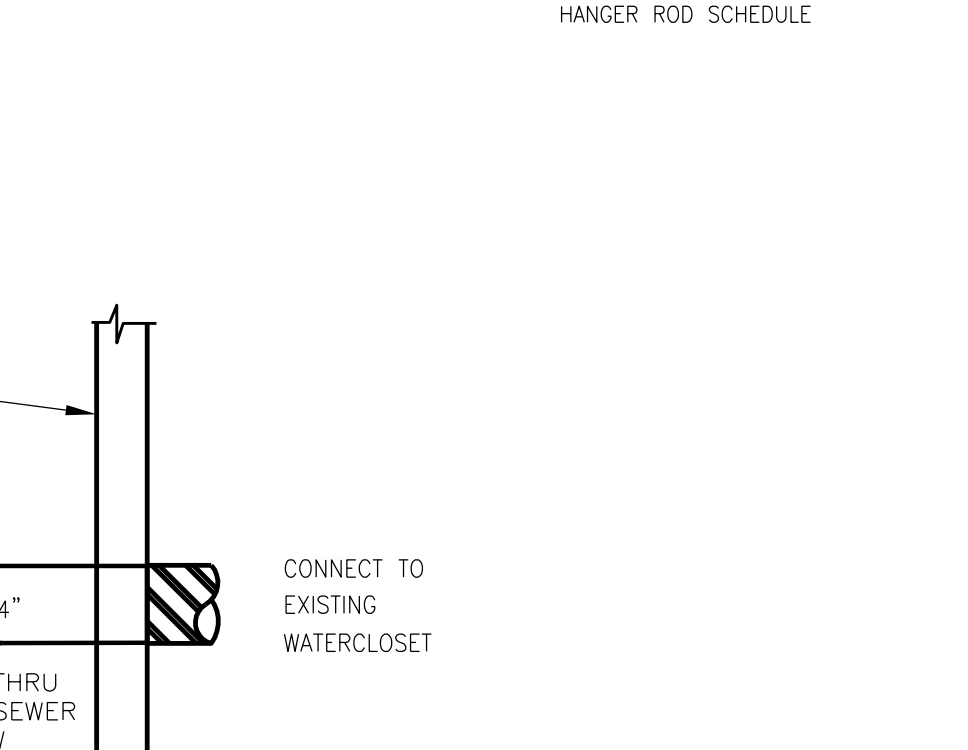
CONCRETE JOIST



STEEL BEAM



13 SINGLE WATERCLOSET RISER SCHEMATIC
SCALE NONE



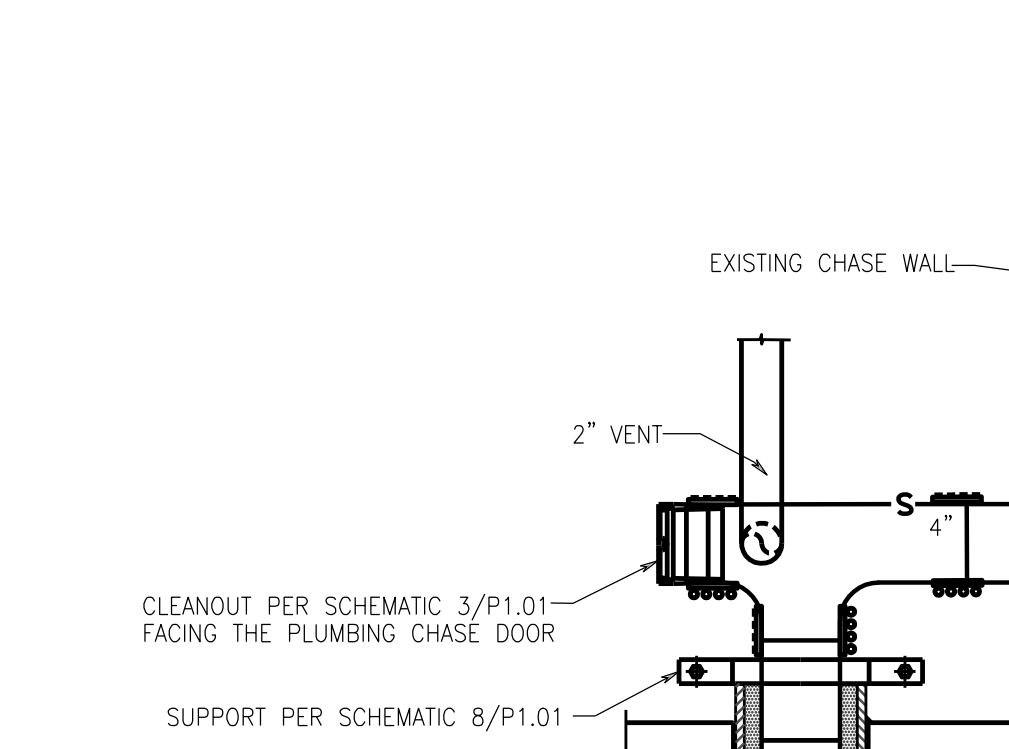
14 MOP SERVICE BASIN MODIFICATION
SCALE NONE



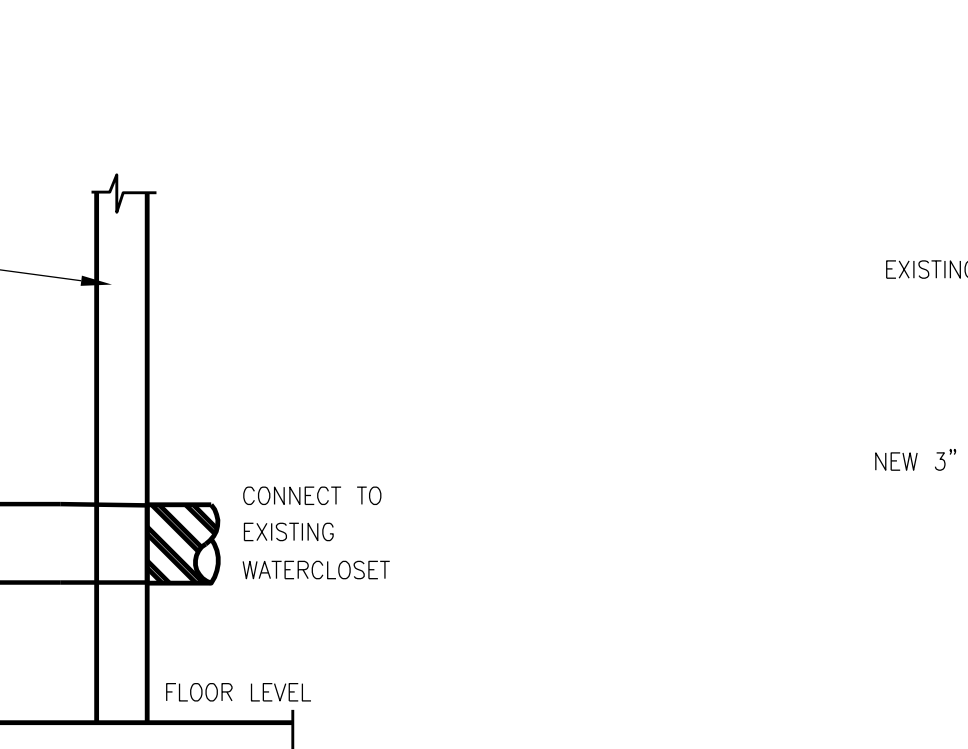
15 LINT INTERCEPTOR
SCALE NONE



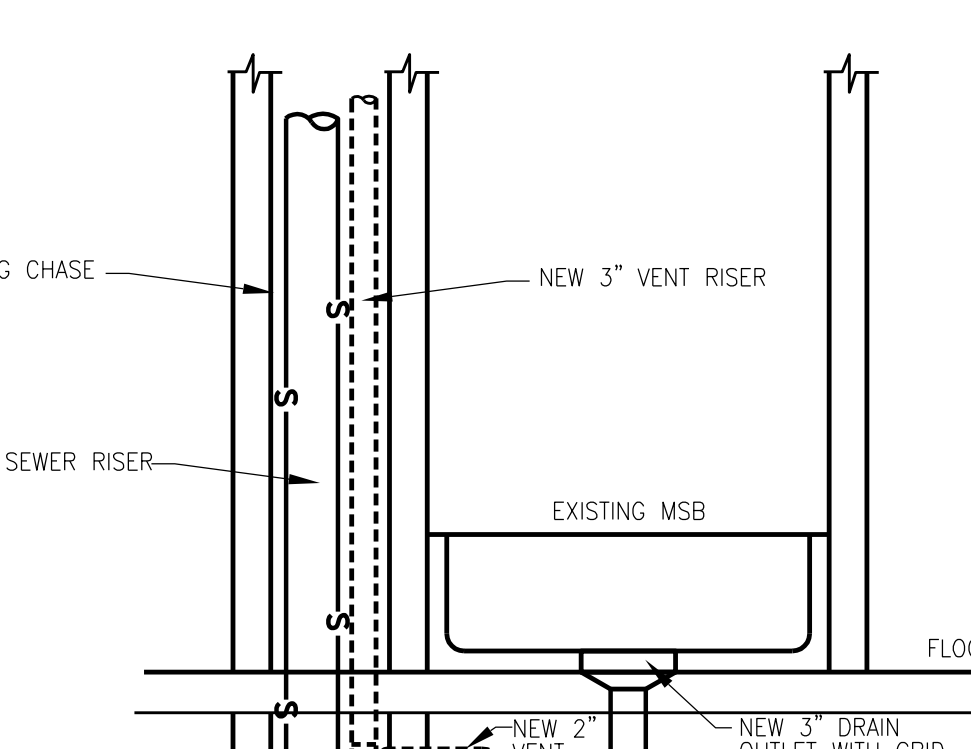
16 GREASE TRAP SCHEMATIC
SCALE NONE



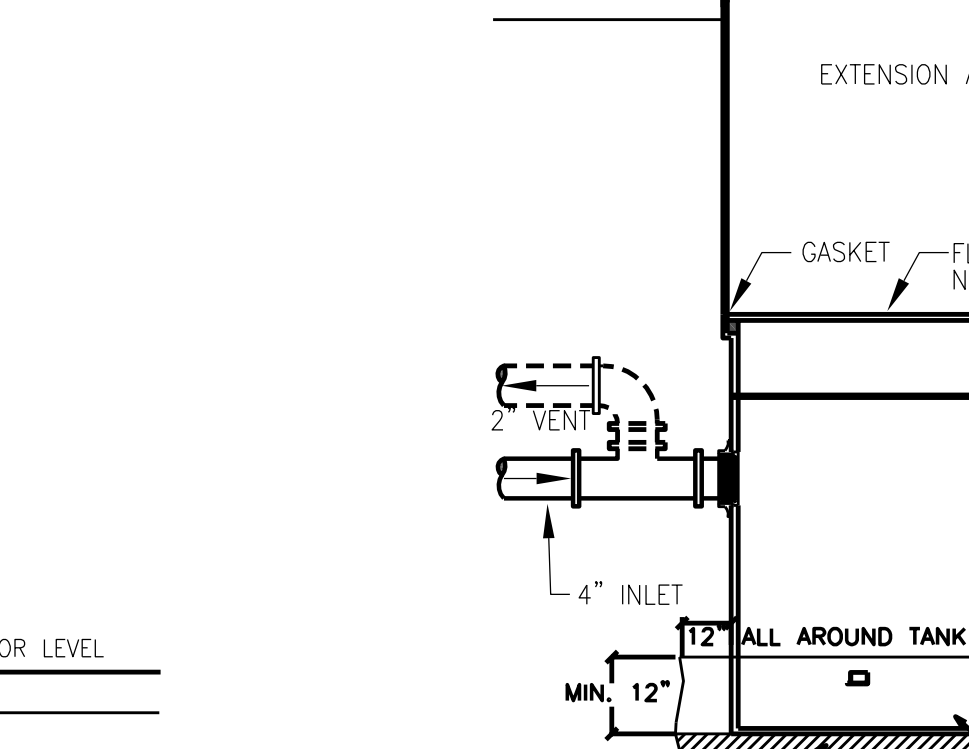
13 SINGLE WATERCLOSET RISER SCHEMATIC
SCALE NONE



14 MOP SERVICE BASIN MODIFICATION
SCALE NONE



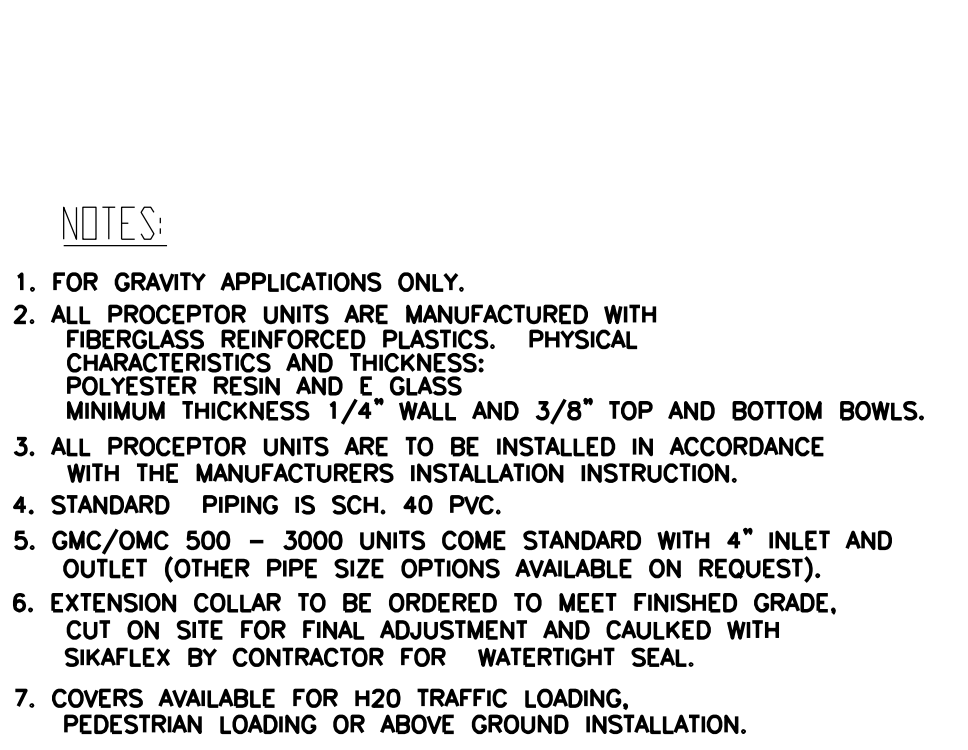
15 LINT INTERCEPTOR
SCALE NONE



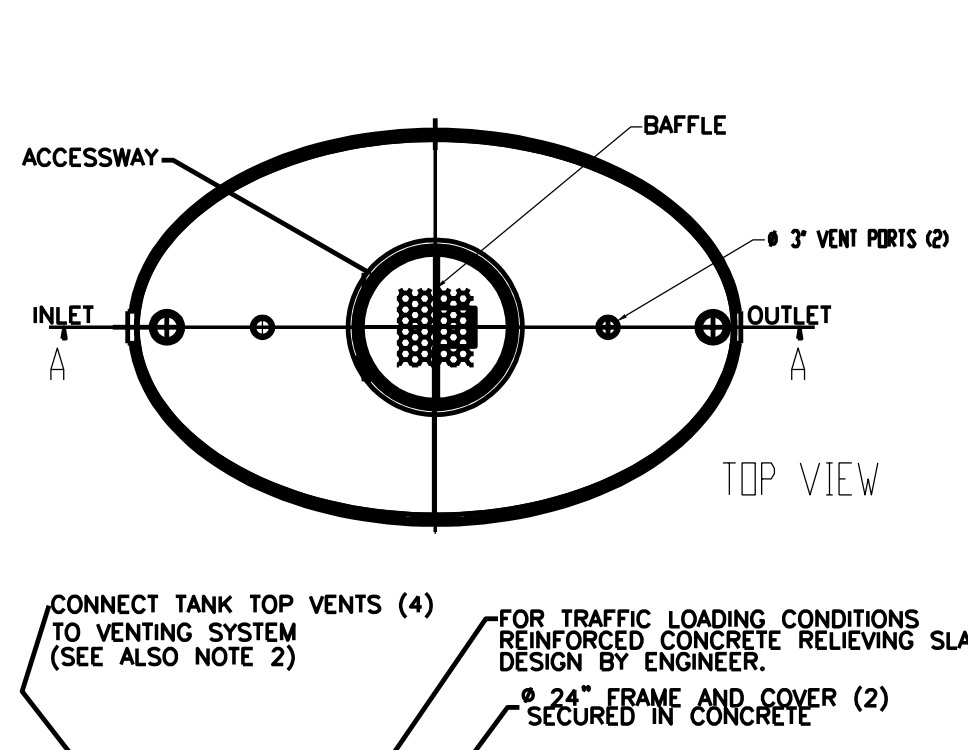
16 GREASE TRAP SCHEMATIC
SCALE NONE



15 LINT INTERCEPTOR
SCALE NONE



16 GREASE TRAP SCHEMATIC
SCALE NONE

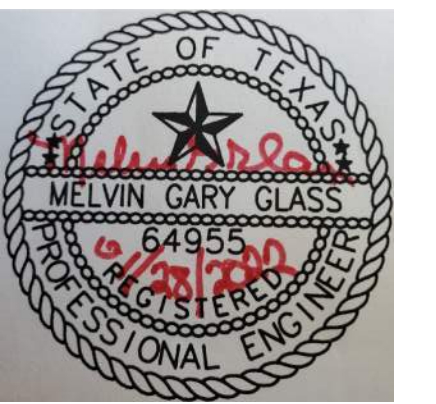


16 GREASE TRAP SCHEMATIC
SCALE NONE

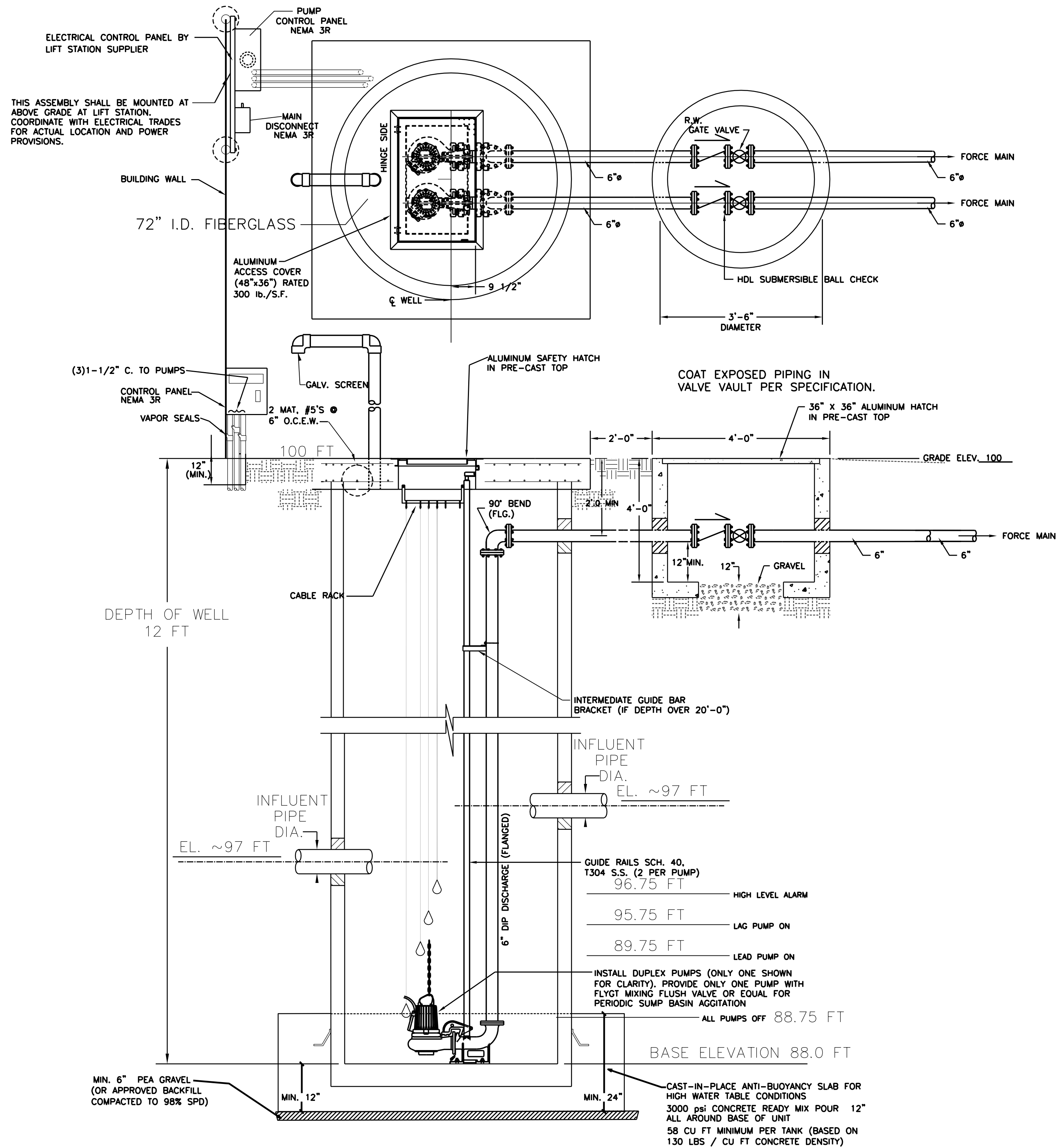


16 GREASE TRAP SCHEMATIC
SCALE NONE

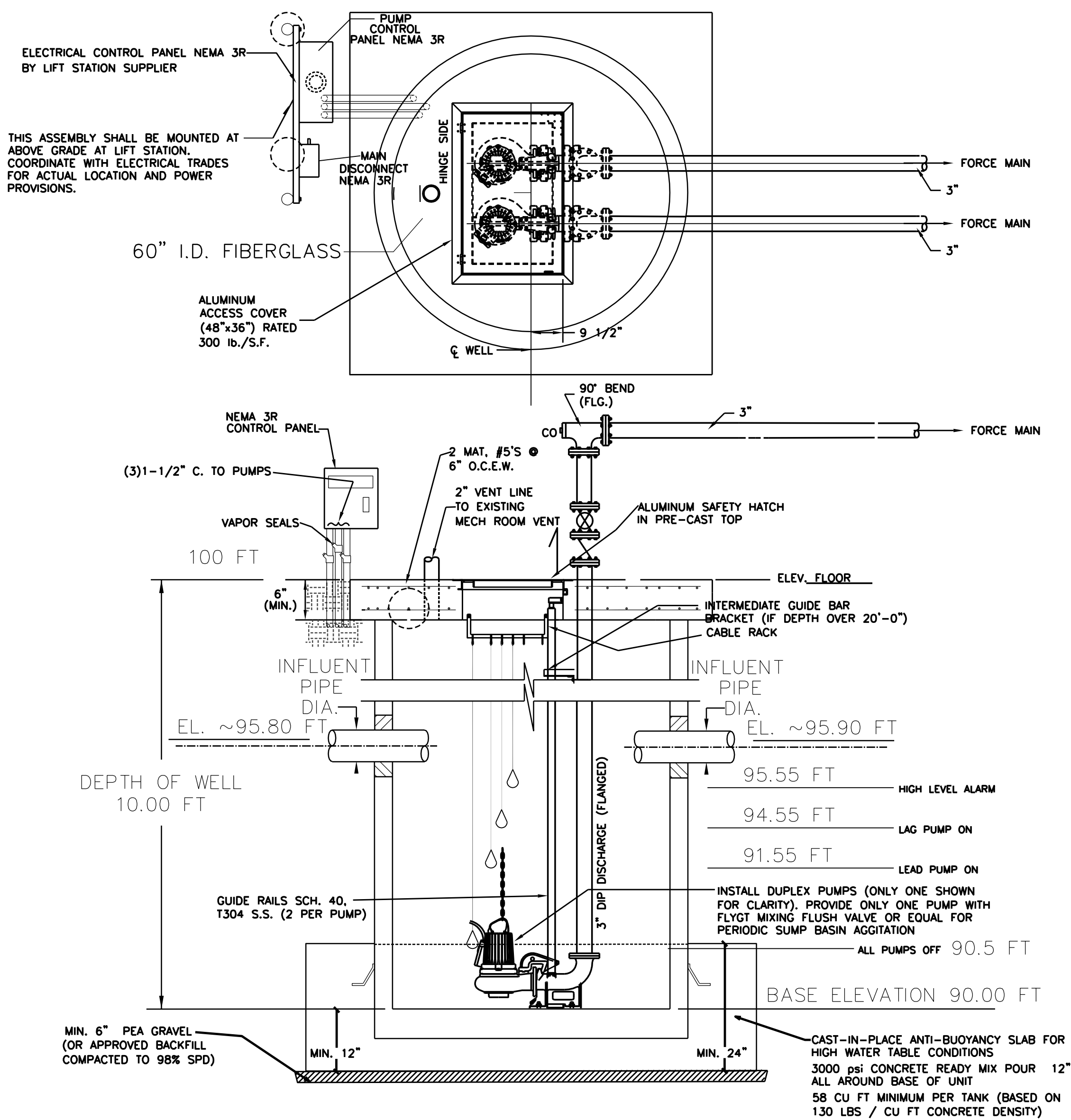
THIS DOCUMENT, WHETHER IN HARD COPY OR MACHINE READABLE FORMAT, IS COPYRIGHTED AND AN INSTRUMENT OF SERVICES IN RESPECT TO THE PROJECT FOR WHICH IT WAS PREPARED. THIS DOCUMENT IS NOT INTENDED OR AUTHORIZED FOR REUSE BY ANY PARTY ON EXTENSIONS OF SUCH PROJECT OR ANY OTHER PROJECT. ANY REUSE, INCLUDING COPYING AND/OR MODIFYING THE DOCUMENT, WITHOUT WRITTEN PERMISSION FROM EMC ENGINEERS FOR THE SPECIFIC PURPOSE INTENDED IS A VIOLATION OF FEDERAL COPYRIGHT LAW. UNAUTHORIZED USE OF THIS MATERIAL MAY RESULT IN CIVIL AND/OR CRIMINAL PENALTIES.
COPY RIGHT 2013 EMC ENGINEERS.



THE SEAL APPEARING ON THIS DOCUMENT WAS AUTHORIZED BY MELVIN G. GLASS, P.E. #64935 OF EMC ENGINEERS (TEXAS FIRM REG. #24941) ON JANUARY 28, 2022. ALTERATION OF A SEALED DOCUMENT WITHOUT PROPER NOTIFICATION TO THE RESPONSIBLE ENGINEER IS AN OFFENSE UNDER THE TEXAS ENGINEERING PRACTICE ACT.



15 EXTERIOR LIFT STATION SCHEMATIC
P-101 SCALE NONE



16 INTERIOR LIFT STATION SCHEMATIC
P-101 SCALE NONE

EXTERIOR SEWAGE LIFT STATION SCHEDULE	
SYMBOL	LS-2 BUILDING GRINDER/CHOPPER
SERVES	
TYPE OF PUMP UNIT	GRINDER/CHOPPER
NUMBER OF PUMPS	2
PRIMARY PUMP DESIGN FLOW (GPM)	500.0
PRIMARY PUMP DESIGN HEAD (FT)	25.0
VERTICAL LIFT HEAD (FT)	14.0
MINIMUM SHUTOFF HEAD (FT)	3.0
MINIMUM SOLID HANDLING SIZE	4"
PUMP DISCHARGE PIPE SIZE (IN)	4"
MOTOR HORSEPOWER	X.X HP
MOTOR SPEED (RPM)	X,XXX
ELECTRICAL:	
VOLTAGE/PHASE	480V /3PH
MOTOR FULL LOAD AMPS	X.X FLA PER MOTOR
SUMP	
SUMP MATERIALS	FIBERGLASS
MINIMUM DIAMETER (IN)	84"
MINIMUM DEPTH (IN)	144"
MANUFACTURER/MODEL NUMBER:	FLYGT FP XXXX.XXX-XXX
NOTES:	
1. PUMPS ARE SCHEDULED TO BE BY FLYGT, BARNES-CRANE, PACO, ARMSTRONG, AND AURORA SHALL BE CONSIDERED EQUIVALENT MANUFACTURERS.	
2. PROVIDE THE FOLLOWING ACCESSORIES FOR FLYGT MODEL: DUPLEX ALTERNATING TYPE CONTROL, LIFTOUT RAILS SYSTEM NUMBER OF FLOATS SHOWN ON DRAWING, AND GASKETED LOCKABLE TRAFFIC RATED STEEL COVER LID.	
3. PROVIDE THE FOLLOWING ACCESSORIES FOR FLYGT MODEL: DUPLEX CONTROL AND NUMBER OF FLOATS SHOWN ON DRAWINGS.	
4. COORDINATE LOCATION WITH GENERAL CONTRACTOR.	
5. NEMA 3R DUPLEX CONTROLLER SHALL BE LOCATED ON UNSTRUCT STAND NEXT TO BUILDING WALL NEXT TO THE LIFT STATION. POWER REQUIREMENT FOR CONTROLLER 2 AMPS.	
6. REFER TO SCHEMATIC ON DRAWINGS FOR LAYOUT.	

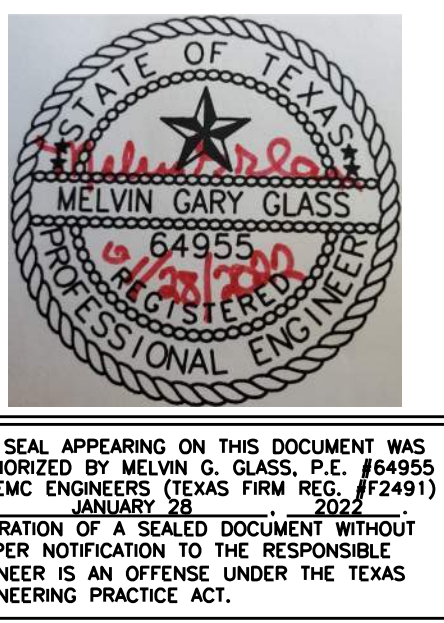
INTERIOR SEWAGE LIFT STATION SCHEDULE	
SYMBOL	LS-1 BASEMENT GRINDER/CHOPPER
SERVES	
TYPE OF PUMP UNIT	GRINDER/CHOPPER
NUMBER OF PUMPS	2
PRIMARY PUMP DESIGN FLOW (GPM)	110.0
PRIMARY PUMP DESIGN HEAD (FT)	36.0
VERTICAL LIFT HEAD (FT)	26.0
MINIMUM SHUTOFF HEAD (FT)	3.0
MINIMUM SOLID HANDLING SIZE	2"
PUMP DISCHARGE PIPE SIZE (IN)	3"
MOTOR HORSEPOWER	X.X HP
MOTOR SPEED (RPM)	XXXX RPM
ELECTRICAL:	
VOLTAGE/PHASE	480V /3PH
MOTOR FULL LOAD AMPS	X.X FLA PER MOTOR
SUMP	
SUMP MATERIALS	FIBERGLASS
MINIMUM DIAMETER (IN)	60"
MINIMUM DEPTH (IN)	120"
MANUFACTURER/PUMP MODEL NUMBER:	FLYGT FP XXXX.XXX
NOTES:	
1. PUMPS ARE SCHEDULED TO BE BY FLYGT, BARNES-CRANE, PACO, ARMSTRONG, AND AURORA SHALL BE CONSIDERED EQUIVALENT MANUFACTURERS.	
2. PROVIDE THE FOLLOWING ACCESSORIES FOR FLYGT MODEL: DUPLEX ALTERNATING TYPE CONTROL, LIFTOUT RAILS SYSTEM NUMBER OF FLOATS SHOWN ON DRAWING, AND GASKETED LOCKABLE TRAFFIC RATED STEEL COVER LID.	
3. PROVIDE THE FOLLOWING ACCESSORIES FOR FLYGT MODEL: MODEL: DUPLEX CONTROL AND NUMBER OF FLOATS SHOWN ON DRAWINGS.	
4. COORDINATE LOCATION WITH GENERAL CONTRACTOR.	
5. NEMA 3R DUPLEX CONTROLLER SHALL BE LOCATED ON UNSTRUCT STAND NEXT TO COLUMN NEXT TO THE LIFT STATION. POWER REQUIREMENT FOR CONTROLLER 2 AMPS.	
6. REFER TO SCHEMATIC ON DRAWINGS FOR LAYOUT.	

LINT INTERCEPTOR SCHEDULE					
SYMBOL	CONNECTION VENT WASTE	CAPACITY GPM	MANUF. MODEL	TRIM	
LT-1	3" 4"	100	ZURN Z1185-Z-RS	ACID RESISTANT COATED INTERIOR AND EXTERIOR FABRICATED STEEL LINT INTERCEPTOR (36" x 36" x 30"), NON-SKID SECURED COVER WITH REMOVABLE LIFT HANDLE, ALUMINUM LINT INTERCEPTING SECONDARY SCREEN ASSEMBLY, AND PERMANENT PRIMARY STRAINING BAFFLE WITH 3/8" DIAMETER PERFORATED HOLES. REGULARLY FURNISHED WITH HIGH INLET AND LOW OUTLET. NOTE: SIZE #3 AND #7 COVERS ARE NOT FURNISHED WITH A LIFT HANDLE. PROVIDE ANY VERTICAL EXTENSIONS AS REQUIRED FOR DEPTH OF INSTALLATION. THE COVER SHALL BE TRAFFIC LOCKABLE COVER PLATES OR LIDS.	
NOTES:					
1. UNITS ARE SCHEDULED TO BE MANUFACTURED BY ZURN. JOSAM, WADE, AND JR SMITH ARE CONSIDERED AN EQUIVALENT MANUFACTURER.					
2. INSTALL THE LINT TRAP IN ACCORDANCE WITH LOCAL CODE REQUIREMENTS AND MANUFACTURER'S RECOMMENDATION.					
3. REFER TO DRAWINGS FOR LOCATION AND VENT CONNECTIONS.					

GREASE INTERCEPTOR SCHEDULE					
SYMBOL	CONNECTION VENT WASTE	GPM FLOWRATE	GREASE CAPACITY	MANUF. MODEL	COMMENTS
GI	3" 4"	100	410 GAL EA CHAMBER RETENTION CAPACITY 96"x62"x61" EACH	PROCEPTOR GMC-1500 (2) GREEN TURTLE	GREASE INTERCEPTOR: DUAL ELLIPTICAL FIBERGLASS (FRP) TANK SYSTEM CERTIFIED TO MEET APFO/ANSI Z1001-2007 AND DESIGNED WITH BUILT-IN INLET PIPING AND BAFFLE PENETRATION THAT INTRODUCES WASTEWATER IN A TANGENTIAL, LAMINAR FLOW TO REDUCE DISRUPTION OF COLLECTED GREASE AND SOLIDS. TANK SYSTEM IS DESIGNED TO CAPTURE AND HOLD GREASE AND SOLIDS TO MAXIMIZE WASTE RETENTION AND OPTIMIZE STOKES LAW SEPARATION. SYSTEM PROVIDE 30 YEAR MANUFACTURER WARRANTY. ELLIPTICAL FIBERGLASS (FRP) INTERCEPTOR SHALL BE CERTIFIED TO MEET APFO/ANSI Z1001-2007 AND APPLICABLE SECTIONS OF THE LATEST EDITIONS OF THE UNIFORM PLUMBING CODE OR THE INTERNATIONAL PLUMBING CODE. INTERCEPTOR IS DESIGNED TO DELIVER 100 PPM NON-EMULSIFIED FREE-FLOATING OIL AND GREASE AND 350 PPM TOTAL SUSPENDED SOLIDS EFFLUENT QUALITY BASED ON INLET PEAK FIXTURE FLOW. THE COVER SHALL BE TRAFFIC LOCKABLE COVER PLATES OR LIDS.
NOTES:					
1. UNITS ARE SCHEDULED TO BE MANUFACTURED BY GREEN TURTLE. ALL OTHER MANUFACTURER REQUIRE WRITTEN PRIOR APPROVAL.					
2. INSTALL IN ACCORDANCE WITH LOCAL CODE REQUIREMENTS AND MANUFACTURER'S RECOMMENDATION.					
3. REFER TO DRAWINGS FOR LOCATION AND SEWER AND VENT CONNECTIONS.					

THIS DOCUMENT, WHETHER IN HARD COPY OR MACHINE READABLE FORMAT, IS COPYRIGHTED AND AN INSTRUMENT OF SERVICES IN RESPECT TO THE PROJECT FOR WHICH IT WAS PREPARED. THIS DOCUMENT IS NOT INTENDED OR AUTHORIZED FOR REUSE BY ANY PARTY ON EXTENSIONS OF SUCH PROJECT OR ANY OTHER PROJECT. ANY REUSE, INCLUDING COPYING AND/OR MODIFYING THE DOCUMENT, WITHOUT WRITTEN PERMISSION FROM EMC ENGINEERS FOR THE SPECIFIC PURPOSE INTENDED IS A VIOLATION OF FEDERAL COPYRIGHT LAW. UNAUTHORIZED USE OF THIS MATERIAL MAY RESULT IN CIVIL AND/OR CRIMINAL PENALTIES.
COPY RIGHT 2013 EMC ENGINEERS.

Project:	UPGRADE AND REPLACE THE SANITARY SEWER SYSTEM AT THE EL PASO COUNTY DETENTION FACILITY
Location:	601 E OVERLAND STREET EL PASO, TEXAS
Job Number:	ETC-2108022
Date:	11/23/2021
Scale:	A5 SHOWN
Sheet:	P-1.02
5 of:	X



THE SEAL APPEARING ON THIS DOCUMENT WAS AUTHORIZED BY MELVIN G. GLASS, P.E. #64935 OF EMC ENGINEERS (TAS FIRM REG. #2491) ON JANUARY 28, 2022. ALTERATION OF A SEALED DOCUMENT WITHOUT PROPER NOTIFICATION TO THE RESPONSIBLE ENGINEER IS AN OFFENSE UNDER THE TEXAS ENGINEERING PRACTICE ACT.

PHASE FLOOR	1	2	3	4	5	6	7	8	9	10	11	12	13	14
						EXTERIOR		BAY 4 INTERIOR						
12														
11	1150	1150/1160	1160/1170	1170/1180	1180/1190	1190			1140	1130/ 1140	Sep/ 1130	1130/ HO	1120/1130	1110
10	South East	Med rm/ Mail rm	Archives /1170	1070/1080	1080/1090	North West			South East	Clinic /Ward	Clinic HO	1030/HO	1020/1030	North West
9	950	950/960	960/970	970/980	980/990	990			940	930/940	Sep/930	930/HO	920/930	910
8	850	850/860	860/870	870/880	880/890	890			840	830/840	Sep/830	830/HO	820/830	810
7	750	750/760	760/770	770/780	780/790	790			740	730/740	Sep/730	730/HO	720/730	710
6	650	650/660	660/670	670/680	680/690	690			640	630/640	Sep/630	630/HO	620/630	610
5	550	550/560	560/570	570/580	580/590	590			540	530/540	Sep/530	530/HO	520/530	510
4	450	450/460	460/470	470/480	480/490	490			440	430/440	Sep/430	430/HO	420/430	410
3	350	350/360	360/370	370/380	380/390	390			340	330/340	Sep/330	330/HO	320/330	310
2	South East	L/M	N/P	Q/Inmate file	Court coordinators	SW chase			South East	261/262	Escort /260	276	276/277	275
1	Chief's office	Conference room	ES Front entrance	WS Front entrance	Bits office /waiting room	Bits Mike office			Class room	Class room	Sally port Bay #5	Break room	Male locker room	1st floor Male locker room
BAST	Laundry room area	Laundry Storage	Mech room	Above utensil room	Above freezer # 4	Above Meat room	LIFT STATION (LS) PIPING TO STREET	LS QT. LT BAY 4 BSMT UNDERGROUND	Boiler room	Boiler Room	Bay #5	Elevator Mech room	Trustee Dining Area	Basement Kitchen Storage

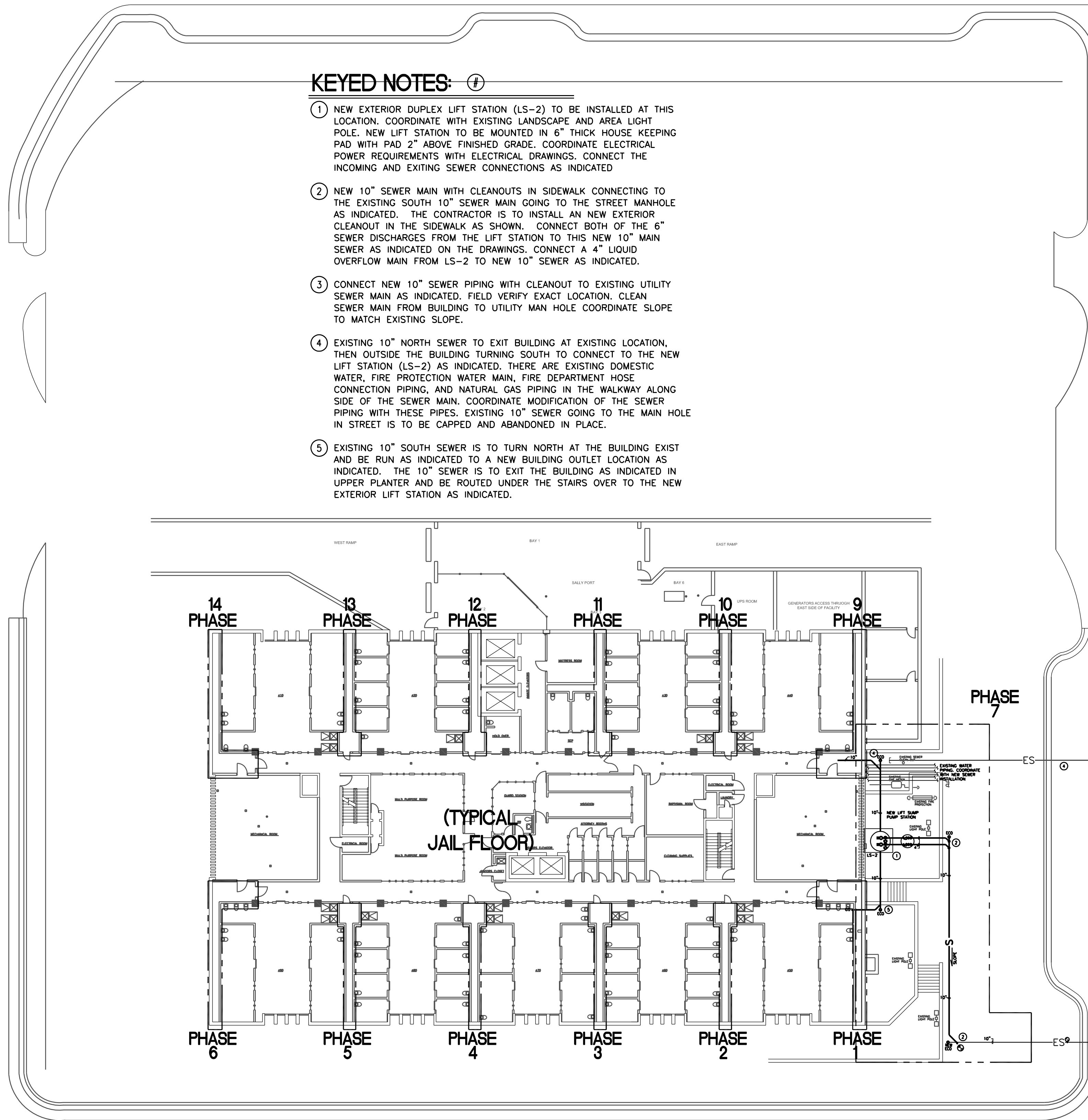
NOTES: 1. THIS FLOW PATTERN ALLOW MOVING FROM EAST TO WEST AND EACH NEW PHASE RISER INSTALLED WOULD BE CONNECTED TO NEW SEWER MAIN IN THE BASEMENT CEILING.

SAN ANTONIO AVE.

KEYED NOTES:

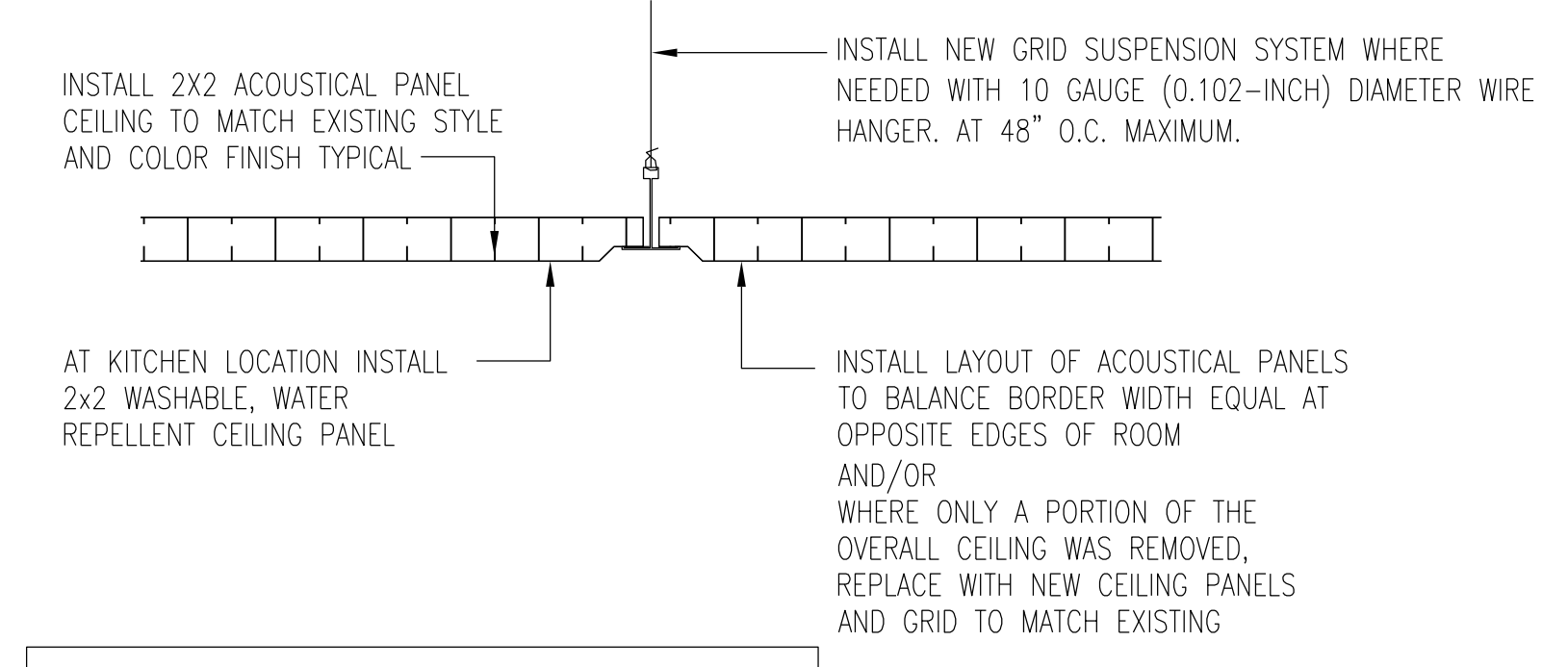
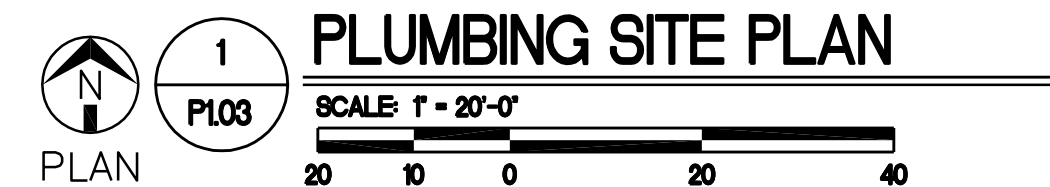
- NEW EXTERIOR DUPLEX LIFT STATION (LS-2) TO BE INSTALLED AT THIS LOCATION. COORDINATE WITH EXISTING LANDSCAPE AND AREA LIGHT POLE. NEW LIFT STATION TO BE MOUNTED IN 6" THICK HOUSE KEEPING PAD WITH PAD 2" ABOVE FINISHED GRADE. COORDINATE ELECTRICAL POWER REQUIREMENTS WITH ELECTRICAL DRAWINGS. CONNECT THE INCOMING AND EXITING SEWER CONNECTIONS AS INDICATED.
- NEW 10" SEWER MAIN WITH CLEANOUTS IN SIDEWALK CONNECTING TO THE EXISTING SOUTH 10" SEWER MAIN GOING TO THE STREET MANHOLE AS INDICATED. THE CONTRACTOR IS TO INSTALL AN NEW EXTERIOR CLEANOUT IN THE SIDEWALK AS SHOWN. CONNECT BOTH OF THE 6" SEWER DISCHARGES FROM THE LIFT STATION TO THIS NEW 10" MAIN SEWER AS INDICATED ON THE DRAWINGS. CONNECT A 4" LIQUID OVERFLOW MAIN FROM LS-2 TO NEW 10" SEWER AS INDICATED.
- CONNECT NEW 10" SEWER PIPING WITH CLEANOUT TO EXISTING UTILITY SEWER MAIN AS INDICATED. FIELD VERIFY EXACT LOCATION. CLEAN SEWER MAIN FROM BUILDING TO UTILITY MAN HOLE COORDINATE SLOPE TO MATCH EXISTING SLOPE.
- EXISTING 10" NORTH SEWER TO EXIT BUILDING AT EXISTING LOCATION. THEN OUTSIDE THE BUILDING TURNING SOUTH TO CONNECT TO THE NEW LIFT STATION (LS-2) AS INDICATED. THERE ARE EXISTING DOMESTIC WATER, FIRE PROTECTION WATER MAIN, FIRE DEPARTMENT HOSE CONNECTION PIPING, AND NATURAL GAS PIPING IN THE WALKWAY ALONG SIDE OF THE SEWER MAIN. COORDINATE MODIFICATION OF THE SEWER PIPING WITH THESE PIPES. EXISTING 10" SEWER GOING TO THE MAIN HOLE IN STREET IS TO BE CAPPED AND ABANDONED IN PLACE.
- EXISTING 10" SOUTH SEWER IS TO TURN NORTH AT THE BUILDING EXIST AND BE RUN AS INDICATED TO A NEW BUILDING OUTLET LOCATION AS INDICATED. THE 10" SEWER IS TO EXIT THE BUILDING AS INDICATED IN UPPER PLANTER AND BE ROUTED UNDER THE STAIRS OVER TO THE NEW EXTERIOR LIFT STATION AS INDICATED.

CAMPBELL ST.

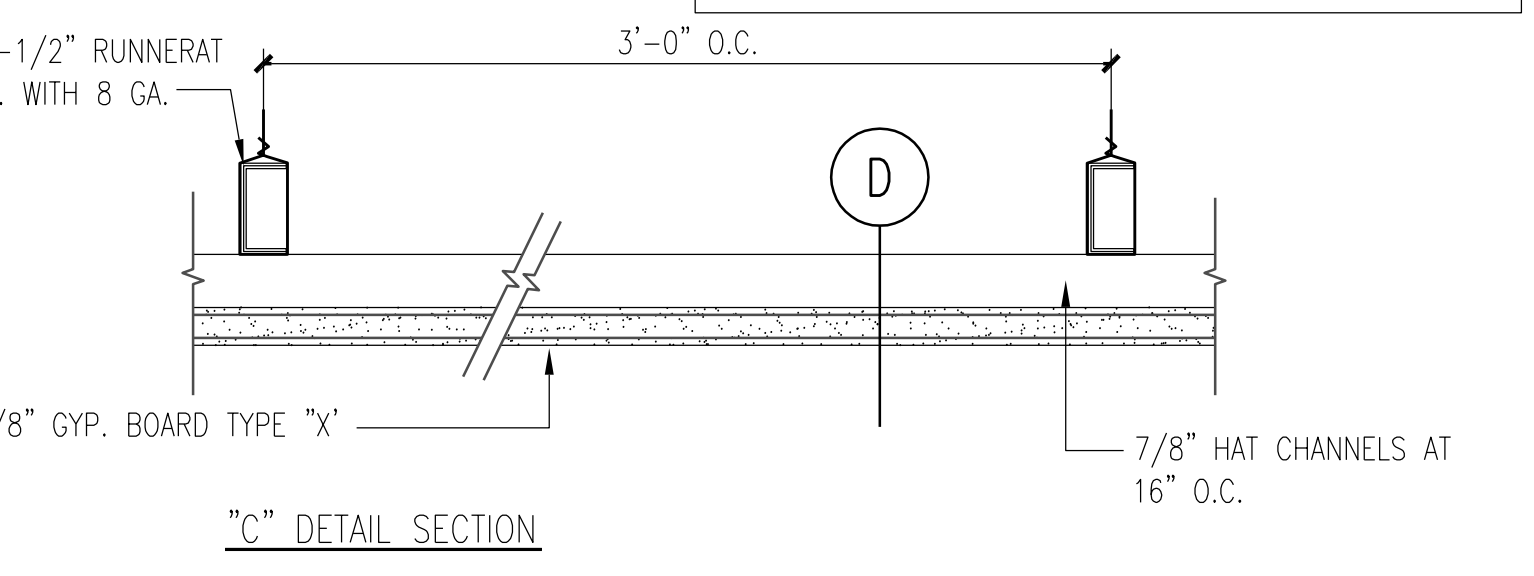
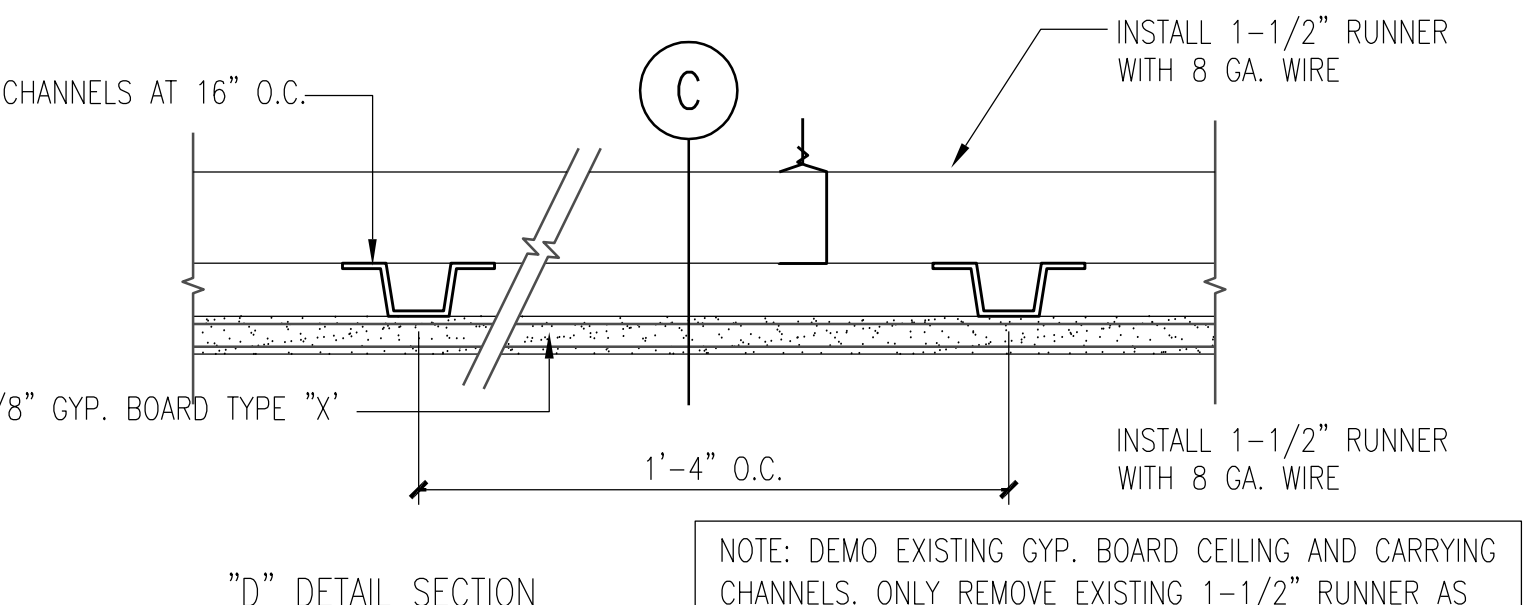
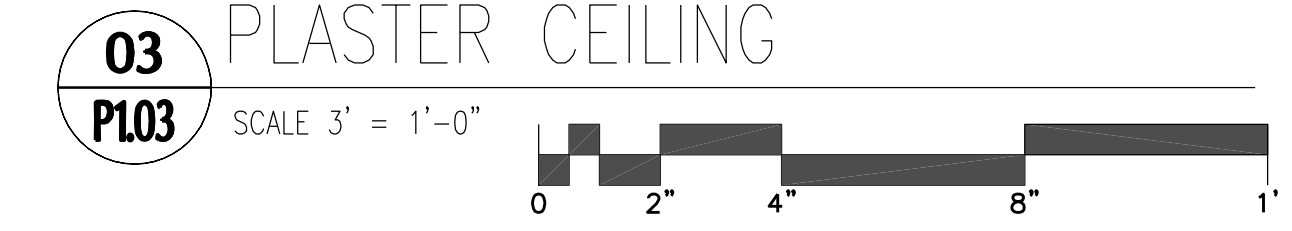
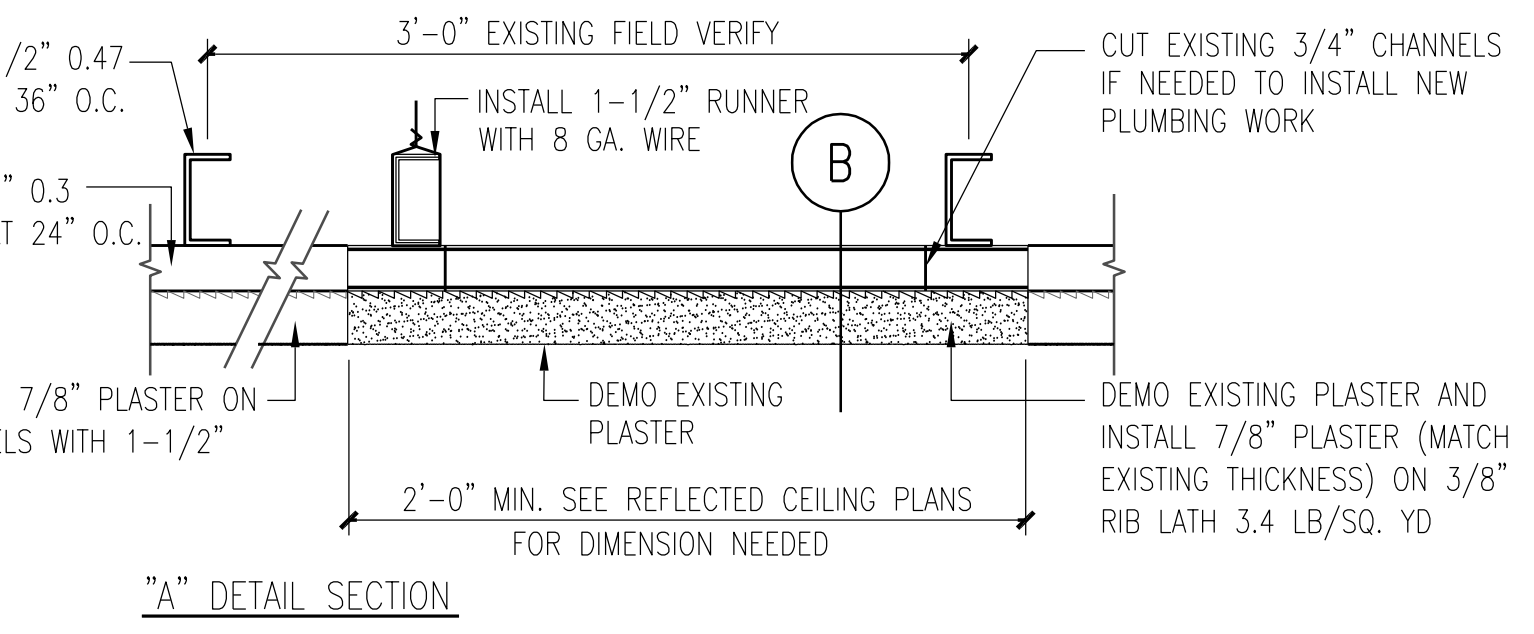
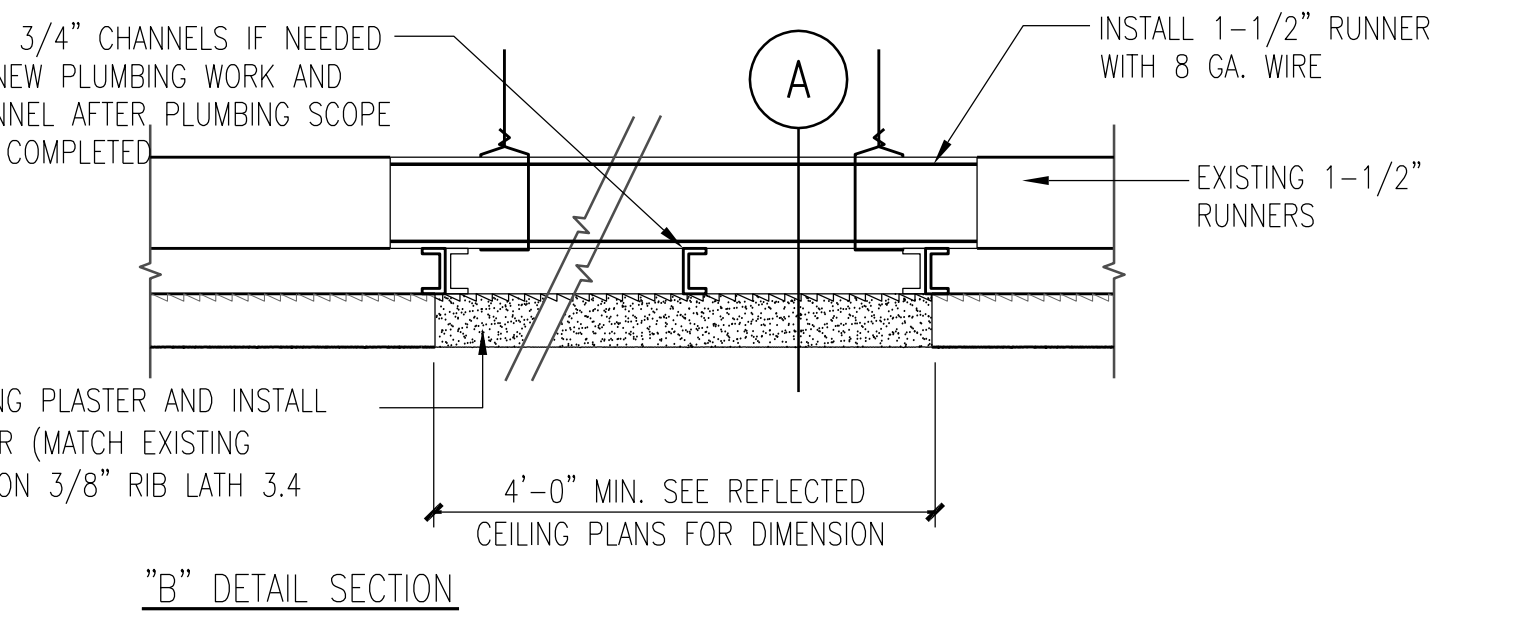
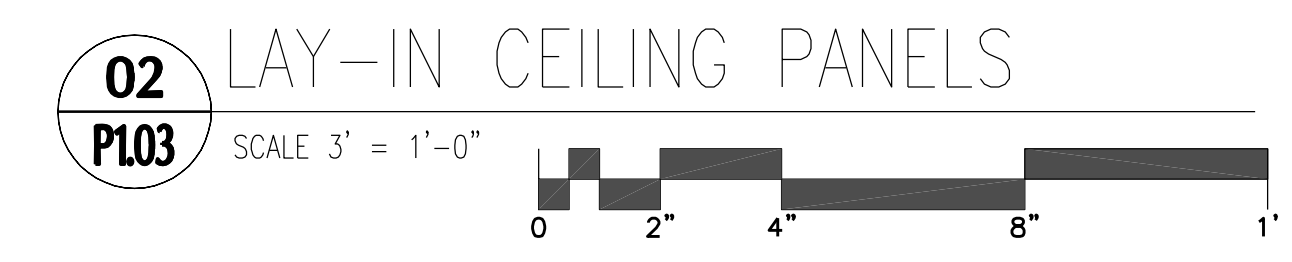


OVERLAND AVE.

FLORENCE ST.



NOTE: DEMO EXISTING ACOUSTICAL LAY-IN CEILING PANEL AND GRID. SEE REFLECTED CEILING PLAN WHERE CEILING AREA ARE TO BE REMOVE TO INSTALL PLUMBING

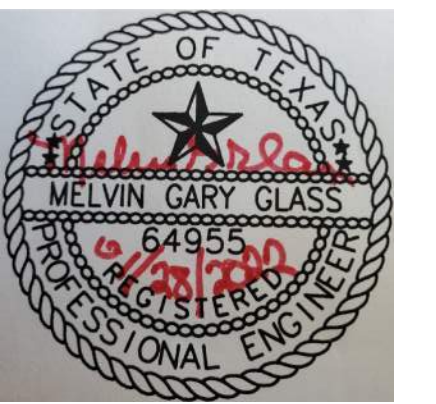


EMC ENGINEERS
 2311 E. OVERLAND AVE. SUITE 100
 EL PASO, TEXAS 79901
 TEL: 915-781-2030
 TEXAS FIRM REG. #4302
 EMC PROJECT #2108022

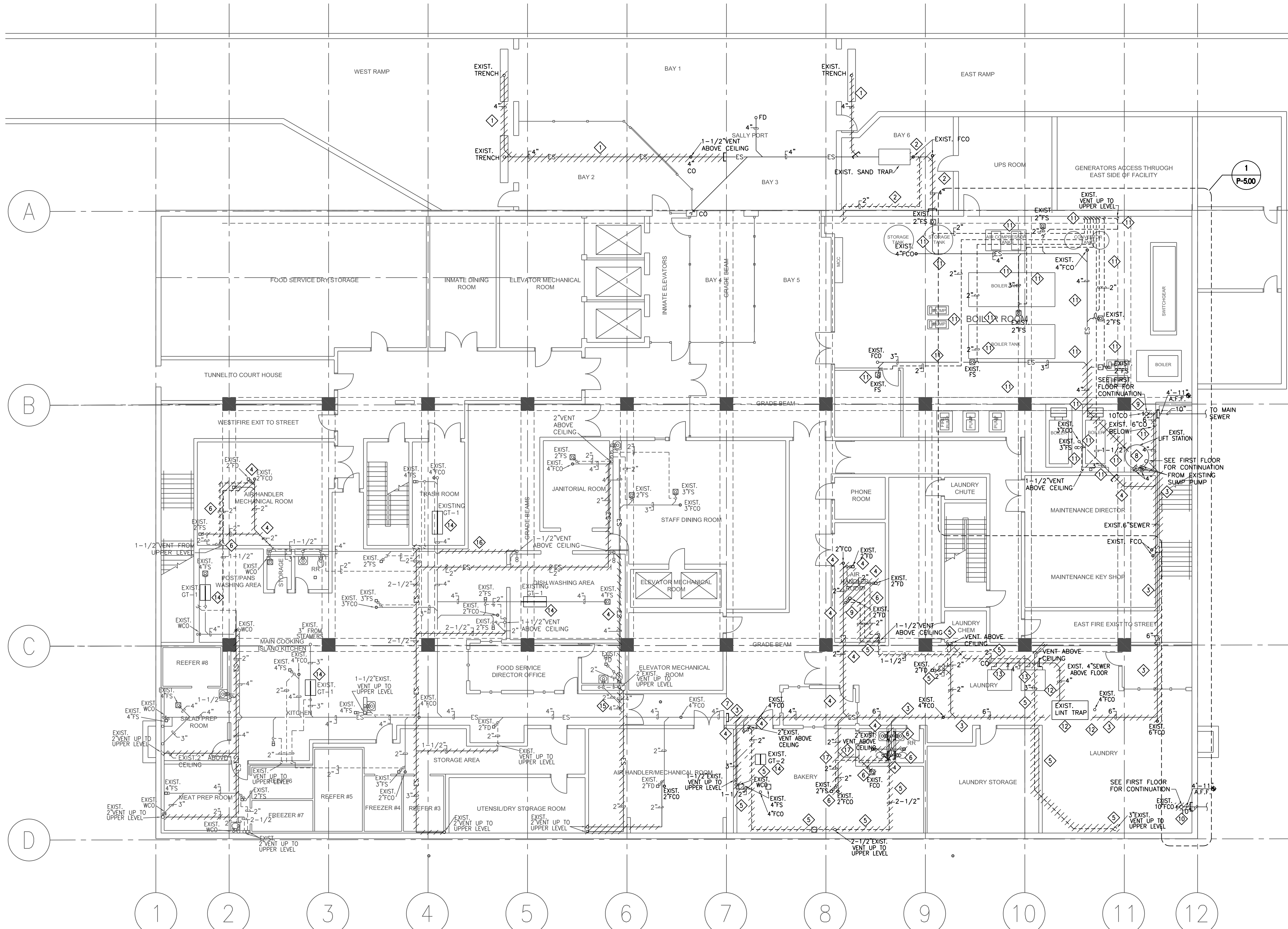
Project: UPGRADE AND REPLACE THE SANITARY SEWER SYSTEM AT THE EL PASO COUNTY DETENTION FACILITY
 Location: 601 E OVERLAND STREET EL PASO, TEXAS

Job Number: EMC-2108022
 Date: 11/23/2021
 Scale: AS SHOWN
 Sheet: P-1.03
 6 of: X

THIS DOCUMENT, WHETHER IN HARD COPY OR MACHINE READABLE FORMAT, IS COPYRIGHTED AND AN INSTRUMENT OF SERVICES IN RESPECT TO THE PROJECT FOR WHICH IT WAS PREPARED. THIS DOCUMENT IS NOT INTENDED OR AUTHORIZED FOR REUSE BY ANY PARTY ON EXTENSIONS OF SUCH PROJECT OR ANY OTHER PROJECT. ANY REUSE, INCLUDING COPYING AND/OR MODIFYING THE DOCUMENT, WITHOUT WRITTEN PERMISSION FROM EMC ENGINEERS FOR THE SPECIFIC PURPOSE INTENDED IS A VIOLATION OF FEDERAL COPYRIGHT LAW. UNAUTHORIZED USE OF THIS MATERIAL MAY RESULT IN CIVIL AND/OR CRIMINAL PENALTIES.
 COPY RIGHT 2013 EMC ENGINEERS.



THE SEAL APPEARING ON THIS DOCUMENT WAS AUTHORIZED BY MELVIN G. GLASS, P.E. #64935 OF EMC ENGINEERS (TEXAS FIRM REG. #24991) ON JANUARY 28, 2022. ANY ALTERATION OF A SEALED DOCUMENT WITHOUT PROPER NOTIFICATION TO THE RESPONSIBLE ENGINEER IS AN OFFENSE UNDER THE TEXAS ENGINEERING PRACTICE ACT.



DEMOLITION PLUMBING GENERAL NOTES:

- 1 THE INTENT OF THE DEMOLITION AND REPLACEMENT OF THE SEWER AND VENTING SYSTEMS FOR THE FACILITY, THIS FACILITY IS A 24/7 SECURED OPERATION FACILITY, SO THE CONTRACTOR SHALL COORDINATE ALL DEMOLITION AND REMODEL WORK WITH THE DETENTION PERSONNEL.
- 2 DEMOLITION SEWER AND VENT WORK SHOWN HATCHED, EXISTING WORK TO REMAIN IS UNHATCHED.

DEMOLITION PLUMBING KEYED NOTES:

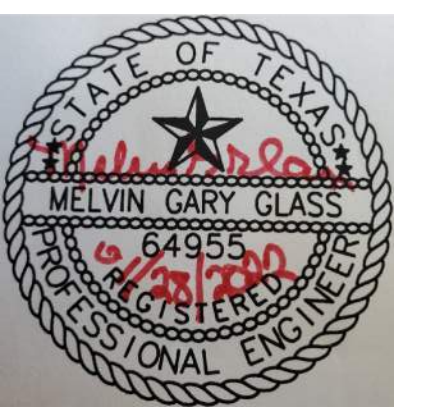
- 1 EXISTING BELOW FLOOR SEWER AND CLEANOUTS SHOWN HATCHED IS TO BE REPLACED TO THE MAIN SEWER GOING TO THE MECHANICAL ROOM. REFER TO REMODEL DRAWINGS P-4.00 FOR FURTHER INFORMATION. THIS PIPING IS IN A CONCEALED SPACE AREA, SO ACCESS OPENING WILL BE REQUIRED FOR THIS WORK.
- 2 EXISTING SEWER PIPING AND ASSOCIATED CLEANOUTS ON DISCHARGE OF SAND/OIL TRAP IS TO BE REPLACED REFER TO REMODEL DRAWINGS P-4.00 FOR FURTHER INFORMATION. EXISTING VENT PIPING OFF SAND/OIL TRAP IS TO BE ABANDONED IN PLACE. A NEW VENT RISER WILL BE INSTALL FOR THE SEWER PIPING. REFER TO REMODEL DRAWINGS P-4.00 FOR FURTHER INFORMATION.
- 3 EXISTING KITCHEN/BAKERY/LAUNDRY SEWER PIPING AND ASSOCIATED CLEANOUTS TO BE ABANDONED IN PLACE FROM THE LOCATION INDICATED TO THE LIFT STATION, REFER TO REMODEL DRAWINGS P-4.00 FOR FURTHER INFORMATION.
- 4 EXISTING SEWER PIPING AND ASSOCIATED FITTINGS SERVING THE ASSOCIATED PLUMBING FIXTURE ARE TO BE REPLACED WITH NEW PIPING. REFER TO REMODEL DRAWINGS P-4.00 FOR FURTHER INFORMATION.
- 5 EXISTING BAKERY/LAUNDRY VENT PIPING AND ASSOCIATED FITTINGS TO BE REPLACED FROM THE LOCATION INDICATED TO THE LIFT STATION, REFER TO REMODEL DRAWINGS P-4.00 FOR FURTHER INFORMATION.
- 6 EXISTING VENT PIPING AND ASSOCIATED FITTINGS SERVING THE ASSOCIATED PLUMBING FIXTURE ARE TO BE REPLACED WITH NEW PIPING. REFER TO REMODEL DRAWINGS P-4.00 FOR FURTHER INFORMATION.
- 7 LOCATION POINT FOR THE EXISTING KITCHEN SEWER PIPING WHICH HAS BEEN REPLACED, THIS LOCATION IS WHERE THIS PROJECT STARTS THE ABANDONMENT OF THE UNDERFLOOR SEWER PIPING.
- 8 EXISTING LIFT STATION IS TO BE REPLACED, REFER TO REMODEL DRAWING P-5.00 FOR FURTHER INFORMATION CONTRACTOR IS TO REMOVE THE SEWAGE PUMPS, ASSOCIATED DISCHARGE PIPING, LIFTING SYSTEM, AND STEEL BASIN THIS LIFT STATION TO REMAIN IN OPERATION UNTIL THE NEW LIFT STATION IS OPERATIONAL.
- 9 EXISTING 10" CLEANOUT AT EXIT TO THE BUILDING IS TO BE REPLACED, REFER TO THE REMODEL DRAWINGS P-4.00 FOR FURTHER INFORMATION.
- 10 EXISTING 10" SEWER PIPING AND CLEANOUT EXITING THE BUILDING TO BE REPLACED TO THE BUILDING EXIT PIPING TO BE REROUTED PER DRAWINGS P-5.00, REFER TO REMODEL DRAWINGS P-4.00 AND P-5.00 FOR FURTHER INFORMATION.
- 11 EXISTING SEWER AND VENT PIPING AND ASSOCIATED FITTINGS SERVING THE FLOOR DRAINS IN THE MECHANICAL ROOM ARE TO REMAIN UNLESS NOTED OTHERWISE THE MAIN SEWER PIPING GOING TO THE EXISTING LIFT STATION IS TO BE REPLACED AND REROUTED TO THE NEW LIFT STATION SUMP LOCATION, REFER TO REMODEL DRAWINGS P-5.00 FOR FURTHER INFORMATION.
- 12 EXISTING LINT TRAP TO BE CLEANED OUT, AND BE REMOVED. ASSOCIATED 4" INLET AND OUTLET SEWER PIPING TO BE CAPPED AND ABANDONED IN PLACE.
- 13 EXISTING WASHING MACHINE 4" CONNECTION TO AND 4" SEWER MAIN TO BE REMOVED AND REPLACED WITH NEW PIPING PER REMODEL DRAWINGS.
- 14 EXISTING GREASE TRAPS ARE TO BE CLEANOUT AND REMOVED. THE EXISTING VENT CONNECTION ARE TO BE CAPPED AND ABANDONED IN PLACE. AN EXTENSION SEWER PIPE IS TO BE INSTALL IN THE GREASE TRAP SPACE, REFER TO SHEET P-4.00 FOR FURTHER NEW INSTALLATION INFORMATION.
- 15 EXISTING SEWER PIPING TO BE REPLACE PER REMODEL NOTES ON P-4.00.
- 16 EXISTING SEWER PIPING TO BE REPLACE PER REMODEL NOTES ON P-4.00.
- 17 EXISTING SEWER PIPING TO BE REPLACE AND REROUTED PER REMODEL NOTES ON P-4.00.

EXISTING UNDERGROUND BASEMENT PLUMBING SEWER WASTE AND VENT PIPING DEMOLITION FLOOR PLAN

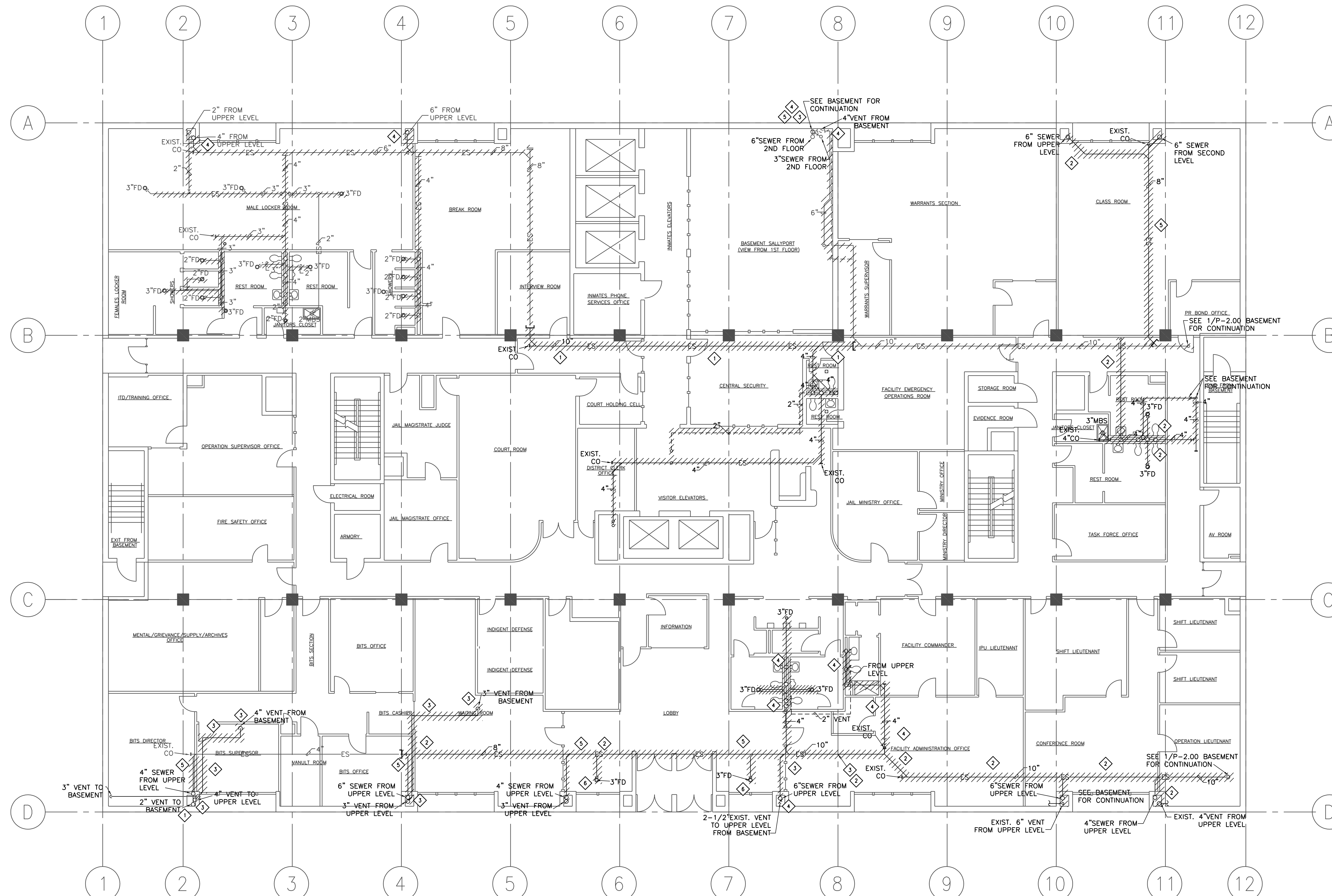


THIS DOCUMENT, WHETHER IN HARD COPY OR MACHINE READABLE FORMAT, IS COPYRIGHTED AND AN INSTRUMENT OF SERVICES IN RESPECT TO THE PROJECT FOR WHICH IT WAS PREPARED. THIS DOCUMENT IS NOT INTENDED OR AUTHORIZED FOR REUSE BY ANY PARTY ON EXTENSIONS OF SUCH PROJECT OR ANY OTHER PROJECT. ANY REUSE, INCLUDING COPYING AND/OR MODIFYING THE DOCUMENT, WITHOUT WRITTEN PERMISSION FROM EMC ENGINEERS FOR THE SPECIFIC PURPOSE INTENDED IS A VIOLATION OF FEDERAL COPYRIGHT LAW. UNAUTHORIZED USE OF THIS MATERIAL MAY RESULT IN CIVIL AND/OR CRIMINAL PENALTIES. COPY RIGHT 2013 EMC ENGINEERS.

Project:	UPGRADE AND REPLACE THE SANITARY SEWER SYSTEM AT THE EL PASO COUNTY DETENTION FACILITY
Location:	601 E OVERLAND STREET EL PASO, TEXAS
Job Number:	ETC-2108022
Date:	11/23/2021
Scale:	A5 SHOWN
Sheet:	P-2.00
7 of: X	



THE SEAL APPEARING ON THIS DOCUMENT WAS AUTHORIZED BY MELVIN G. GLASS, P.E. #64935 OF EMC ENGINEERS (TEAMS FIRM REG. #24991) ON JANUARY 28, 2022. ANY ALTERATION OF A SEALED DOCUMENT WITHOUT PROPER NOTIFICATION TO THE RESPONSIBLE ENGINEER IS AN OFFENSE UNDER THE TEXAS ENGINEERING PRACTICE ACT.



DEMOLITION PLUMBING GENERAL NOTES:

- 1 THE INTENT OF THE DEMOLITION AND REPLACEMENT OF THE SEWER AND VENTING SYSTEMS FOR THE FACILITY. THIS FACILITY IS A 24/7 SECURED OPERATION FACILITY, SO THE CONTRACTOR SHALL COORDINATE ALL DEMOLITION AND REMODEL WORK WITH THE DETENTION PERSONNEL.
- 2 DEMOLITION SEWER AND VENT WORK SHOWN HATCHED, EXISTING WORK TO REMAIN IS UNHATCHED.

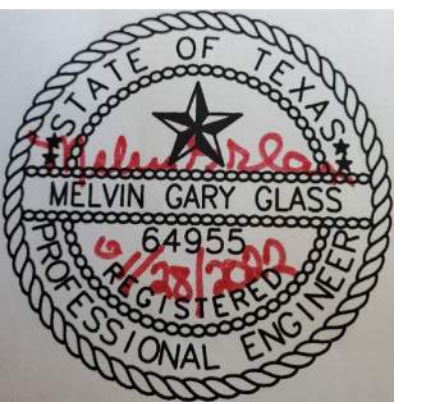
DEMOLITION PLUMBING KEYED NOTES:

- 1 EXISTING SEWER AND CLEANOUTS SHOWN HATCHED IS TO BE REPLACED TO THE MAIN SEWER GOING TO THE MECHANICAL ROOM. REFER TO REMODEL DRAWINGS P-4.01 FOR FURTHER INFORMATION. THIS PIPING IS IN A CONCEALED SPACE AREA, SO SECURED ACCESS OPENING WILL BE REQUIRED FOR THIS WORK.
- 2 EXISTING SEWER AND CLEANOUTS SHOWN HATCHED IS TO BE REPLACED TO THE MAIN SEWER GOING TO EXIT THE BUILDING. REFER TO REMODEL DRAWINGS P-4.01 FOR FURTHER INFORMATION. THIS PIPING IS IN A OPEN CEILING SPACE AREA, SO SECURED ACCESS IS AVAILABLE FOR THE REQUIRED FOR THIS WORK.
- 3 EXISTING VENT PIPING AND CLEANOUTS ABOVE CEILING SHOWN HATCHED IS TO BE REPLACED TO THE MAIN SEWER RISERS. REFER TO REMODEL DRAWINGS P-4.01 FOR FURTHER INFORMATION. THIS PIPING IS IN A CONCEALED SPACE AREA, SO SECURED ACCESS OPENING WILL BE REQUIRED FOR THIS WORK.
- 4 EXISTING SEWER PIPING AND ASSOCIATED FITTINGS SERVING THE ASSOCIATED PLUMBING FIXTURE ARE TO BE REPLACED WITH NEW PIPING. REFER TO REMODEL DRAWINGS P-4.01 FOR FURTHER INFORMATION.
- 5 EXISTING SEWER AND CLEANOUTS SHOWN HATCHED IS TO BE REPLACED TO THE MAIN SEWER RISERS. REFER TO REMODEL DRAWINGS P-4.01 FOR FURTHER INFORMATION. THIS PIPING IS IN A CONCEALED SPACE AREA, SO SECURED ACCESS OPENING WILL BE REQUIRED FOR THIS WORK.
- 6 EXISTING SEWER SERVING PLANTERS ON FIRST FLOOR ARE TO BE REMOVED AND FLOOR OPENG TO BE CAPPED.

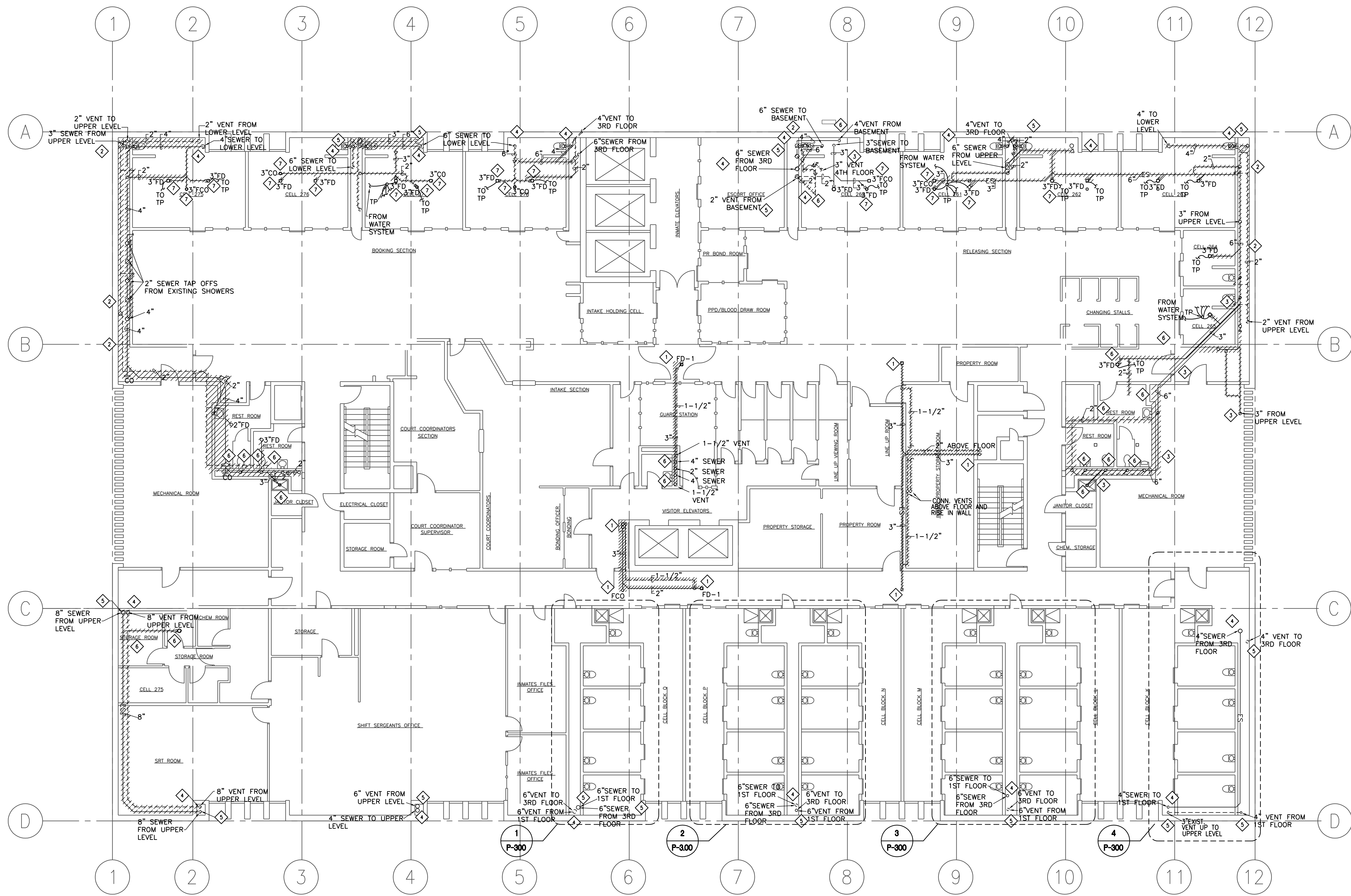
EXISTING FIRST FLOOR PLUMBING SEWER WASTE AND VENT PIPING DEMOLITION FLOOR PLAN
 SCALE 1/8" = 1'-0"
 8 6 4 2 0 4 8 12 16

THIS DOCUMENT, WHETHER IN HARD COPY OR MACHINE READABLE FORMAT, IS COPYRIGHTED AND AN INSTRUMENT OF SERVICES IN RESPECT TO THE PROJECT FOR WHICH IT WAS PREPARED. THIS DOCUMENT IS NOT INTENDED OR AUTHORIZED FOR REUSE BY ANY PARTY ON EXTENSIONS OF SUCH PROJECT OR ANY OTHER PROJECT. ANY REUSE, INCLUDING COPYING AND/OR MODIFYING THE DOCUMENT, WITHOUT WRITTEN PERMISSION FROM EMC ENGINEERS FOR THE SPECIFIC PURPOSE INTENDED IS A VIOLATION OF FEDERAL COPYRIGHT LAW. UNAUTHORIZED USE OF THIS MATERIAL MAY RESULT IN CIVIL AND/OR CRIMINAL PENALTIES.
 COPY RIGHT 2013 EMC ENGINEERS.

Project:	UPGRADE AND REPLACE THE SANITARY SEWER SYSTEM AT THE EL PASO COUNTY DETENTION FACILITY
Location:	601 E OVERLAND STREET EL PASO, TEXAS
Job Number:	ETC-2108022
Date:	11/23/2021
Scale:	A5 SHOWN
Sheet:	P-2.01
8 of:	X



THE SEAL APPEARING ON THIS DOCUMENT WAS AUTHORIZED BY MELVIN G. GLASS, P.E. #64935 OF EMC ENGINEERS (TEXAS FIRM REG. #24991) ON JANUARY 28, 2022. ANY ALTERATION OF A SEALED DOCUMENT WITHOUT PROPER NOTIFICATION TO THE RESPONSIBLE ENGINEER IS AN OFFENSE UNDER THE TEXAS ENGINEERING PRACTICE ACT.



DEMOLITION PLUMBING GENERAL NOTES:

- 1 THE INTENT OF THE DEMOLITION AND REPLACEMENT OF THE SEWER AND VENTING SYSTEMS FOR THIS FACILITY, THIS FACILITY IS A 24/7 SECURED OPERATION FACILITY, SO THE CONTRACTOR SHALL COORDINATE ALL DEMOLITION AND REMODEL WORK WITH THE DETENTION PERSONNEL.
- 2 DEMOLITION SEWER AND VENT WORK SHOWN HATCHED, EXISTING WORK TO REMAIN IS UNHATCHED.

DEMOLITION PLUMBING KEYED NOTES:

- 1 EXISTING SEWER AND VENT PIPING FROM THE EXISTING FLOOR DRAIN IS TO BE REMOVED FROM THE FIXTURE CONNECTION TO THE FLOOR PENETRATION, REFER TO REMODEL DRAWINGS P-4.02 FOR FURTHER INFORMATION.
- 2 EXISTING VENT PIPING IN CHASE TO BE REMOVED AND REPLACED REFER TO REMODEL DRAWINGS P-4.02 FOR FURTHER INFORMATION.
- 3 EXISTING SEWER PIPING IN CHASE BE REMOVED AND REPLACED, REFER TO REMODEL DRAWINGS P-4.02 FOR FURTHER INFORMATION.
- 4 EXISTING SEWER MAIN RISER TO BE REMOVED AND REPLACED, REFER TO REMODEL DRAWINGS P-4.02 FOR FURTHER INFORMATION.
- 5 EXISTING VENT MAIN RISER TO BE REMOVED AND REPLACED, REFER TO REMODEL DRAWINGS P-4.02 FOR FURTHER INFORMATION.
- 6 EXISTING SEWER AND VENT PIPING AND ASSOCIATED FITTINGS SERVING THE ASSOCIATED PLUMBING FIXTURE ARE TO BE REPLACED WITH NEW PIPING, REFER TO REMODEL DRAWINGS P-4.02 FOR FURTHER INFORMATION.

EXISTING SECOND FLOOR PLUMBING SEWER WASTE AND VENT PIPING DEMOLITION FLOOR PLAN
 1 P-202
 SCALE 1/8" = 1'-0"
 8 6 4 2 0 4 8 12 16

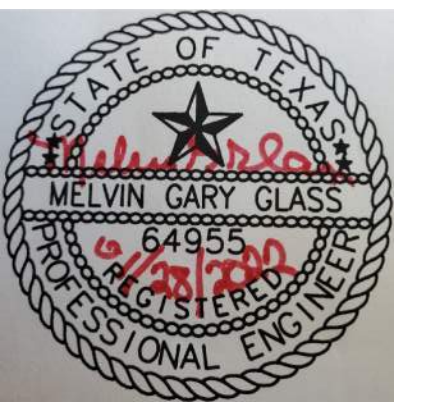
THIS DOCUMENT, WHETHER IN HARD COPY OR MACHINE READABLE FORMAT, IS COPYRIGHTED AND AN INSTRUMENT OF SERVICES IN RESPECT TO THE PROJECT FOR WHICH IT WAS PREPARED. THIS DOCUMENT IS NOT INTENDED OR AUTHORIZED FOR REUSE BY ANY PARTY ON EXTENSIONS OF SUCH PROJECT OR ANY OTHER PROJECT AND REUSE, INCLUDING COPYING AND/OR MODIFYING THE DOCUMENT, WITHOUT WRITTEN PERMISSION FROM EMC ENGINEERS FOR THE SPECIFIC PURPOSE INTENDED IS A VIOLATION OF FEDERAL COPYRIGHT LAW. UNAUTHORIZED USE OF THIS MATERIAL MAY RESULT IN CIVIL AND/OR CRIMINAL PENALTIES.
 COPY RIGHT 2013 EMC ENGINEERS.

Project:	UPGRADE AND REPLACE THE SANITARY SEWER SYSTEM AT THE EL PASO COUNTY DETENTION FACILITY
Location:	601 E OVERLAND STREET EL PASO, TEXAS
Job Number:	ETC-2108022
Date:	11/23/2021
Scale:	A5 SHOWN
Sheet:	P-2.02
9 of: X	

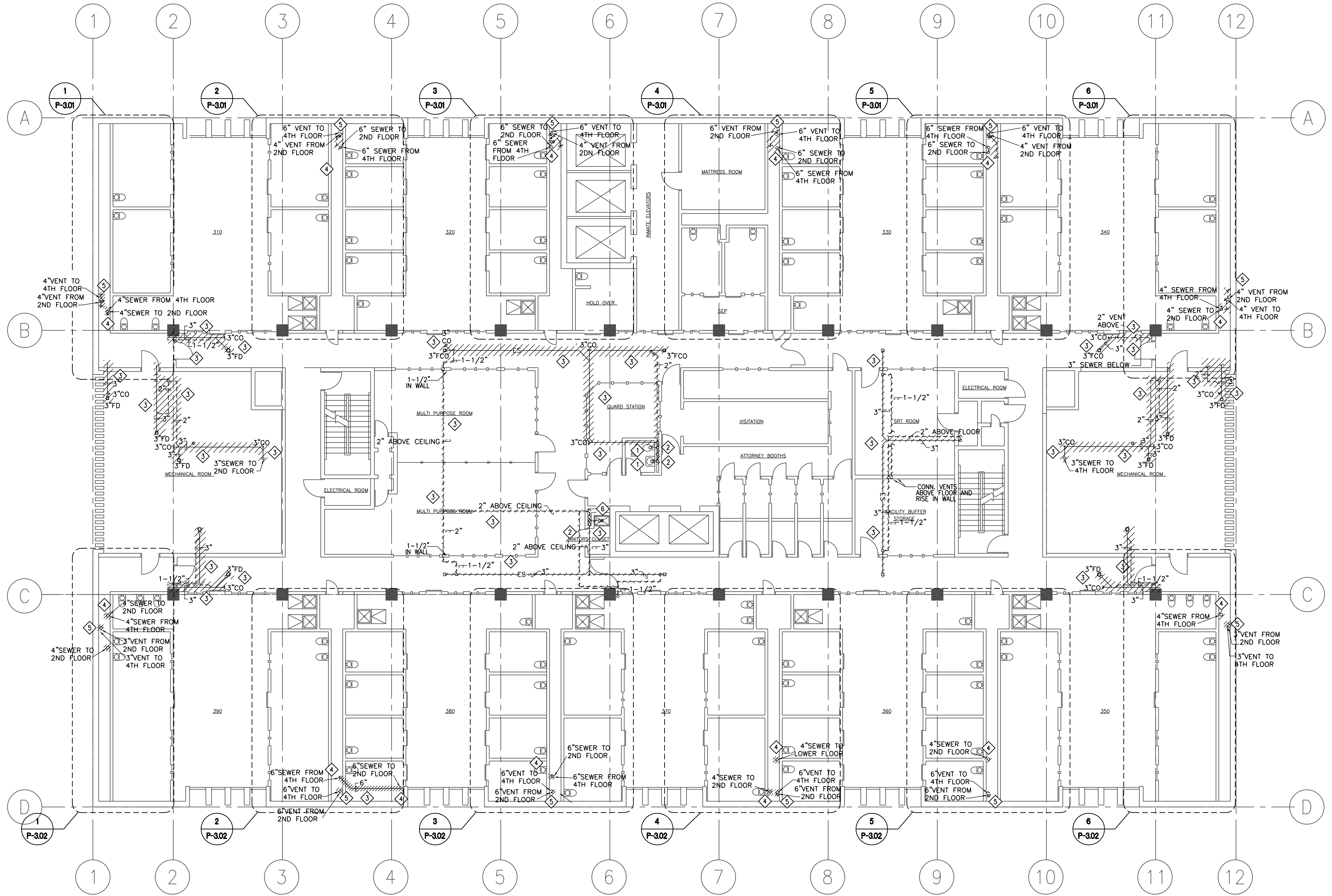


EMC ENGINEERS
 2311 E. BUSINESS AVENUE SUITE 100
 EL PASO, TEXAS 79901
 TEL: 915-781-2000
 FAX: 915-781-2001
 TEXAS FIRM REG. #24991
 EMC PROJECT #2108022

Revision Description:	
Rev.#/Date	Initial
	ETC
Drawn By:	ETC
Checked By:	ETC



THE SEAL APPEARING ON THIS DOCUMENT WAS AUTHORIZED BY MELVIN G. GLASS, P.E. #64935 OF EMC ENGINEERS (TEXAS FIRM REG. #24991) ON JANUARY 25, 2022. ALTERATION OF A SEALED DOCUMENT WITHOUT PROPER NOTIFICATION TO THE RESPONSIBLE ENGINEER IS AN OFFENSE UNDER THE TEXAS ENGINEERING PRACTICE ACT.



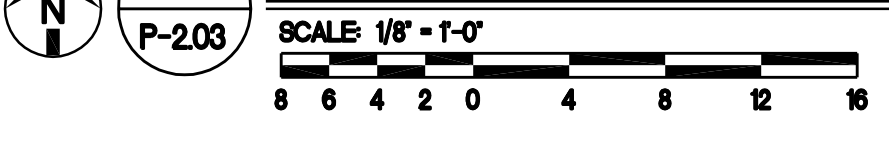
DEMOLITION PLUMBING GENERAL NOTES:

- 1 THE INTENT OF THE DEMOLITION AND REPLACEMENT OF THE SEWER AND VENTING SYSTEMS FOR THE FACILITY. THIS FACILITY IS A 24/7 SECURED OPERATION FACILITY, SO THE CONTRACTOR SHALL COORDINATE ALL DEMOLITION AND REMODEL WORK WITH THE DETENTION PERSONNEL.
- 2 DEMOLITION SEWER AND VENT WORK SHOWN HATCHED, EXISTING WORK TO REMAIN IS UNHATCHED.

DEMOLITION PLUMBING KEYED NOTES:

- 1 EXISTING SEWER FROM THE PLUMBING FIXTURE IS TO BE REMOVED FROM THE FIXTURE CONNECTION TO THE FLOOR PENETRATION, REFER TO REMODEL DRAWINGS P-4.03 FOR FURTHER INFORMATION.
- 2 EXISTING VENT IS TO BE REMOVED FROM CONNECTION TO THE FLOOR PENETRATION, REFER TO REMODEL DRAWINGS P-4.03 FOR FURTHER INFORMATION.
- 3 EXISTING SEWER AND VENT PIPING IN CEILING BE REMOVED AND REPLACED, REFER TO REMODEL DRAWINGS P-4.03 FOR FURTHER INFORMATION.
- 4 EXISTING SEWER MAIN RISER TO BE REMOVED AND REPLACED, REFER TO REMODEL DRAWINGS P-4.03 FOR FURTHER INFORMATION.
- 5 EXISTING VENT MAIN RISER TO BE REMOVED AND REPLACED, REFER TO REMODEL DRAWINGS P-4.03 FOR FURTHER INFORMATION.
- 6 EXISTING MOP SERVICE BASIN TO HAVE EXISTING 2" SEWER CONNECTION TO DRAIN REMOVED AND IS TO BE REPLACED WITH NEW 3" SEWER CONNECTION TO RECONNECT TO EXISTING DRAIN CONNECTION, REFER TO REMODEL DRAWING P-4.03 AND SCHEMATIC 14/P-01 FOR FURTHER INFORMATION.

EXISTING THIRD FLOOR PLUMBING SEWER WASTE AND VENT PIPNG DEMOLITION FLOOR PLAN



THIS DOCUMENT, WHETHER IN HARD COPY OR MACHINE READABLE FORMAT, IS COPYRIGHTED AND AN INSTRUMENT OF SERVICES IN RESPECT TO THE PROJECT FOR WHICH IT WAS PREPARED. THIS DOCUMENT IS NOT INTENDED OR AUTHORIZED FOR REUSE BY ANY PARTY ON EXTENSIONS OF SUCH PROJECT OR ANY OTHER PROJECT. ANY REUSE, INCLUDING COPYING AND/OR MODIFYING THE DOCUMENT, WITHOUT WRITTEN PERMISSION FROM EMC ENGINEERS FOR THE SPECIFIC PURPOSE INTENDED IS A VIOLATION OF FEDERAL COPYRIGHT LAW. UNAUTHORIZED USE OF THIS MATERIAL MAY RESULT IN CIVIL AND/OR CRIMINAL PENALTIES.

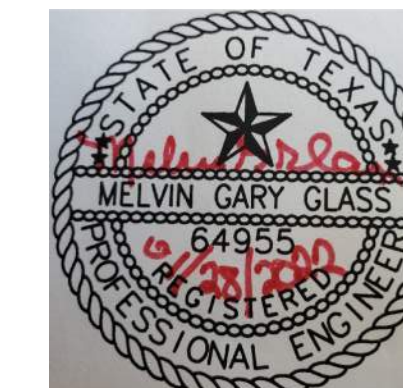
Project:	UPGRADE AND REPLACE THE SANITARY SEWER SYSTEM AT THE EL PASO COUNTY DETENTION FACILITY
Location:	601 E OVERLAND STREET EL PASO, TEXAS
Job Number:	ETC-2108022
Date:	11/23/2021
Scale:	A5 SHOWN
Sheet:	P-2.03
10 of:	X

Rev.#	Date	Description

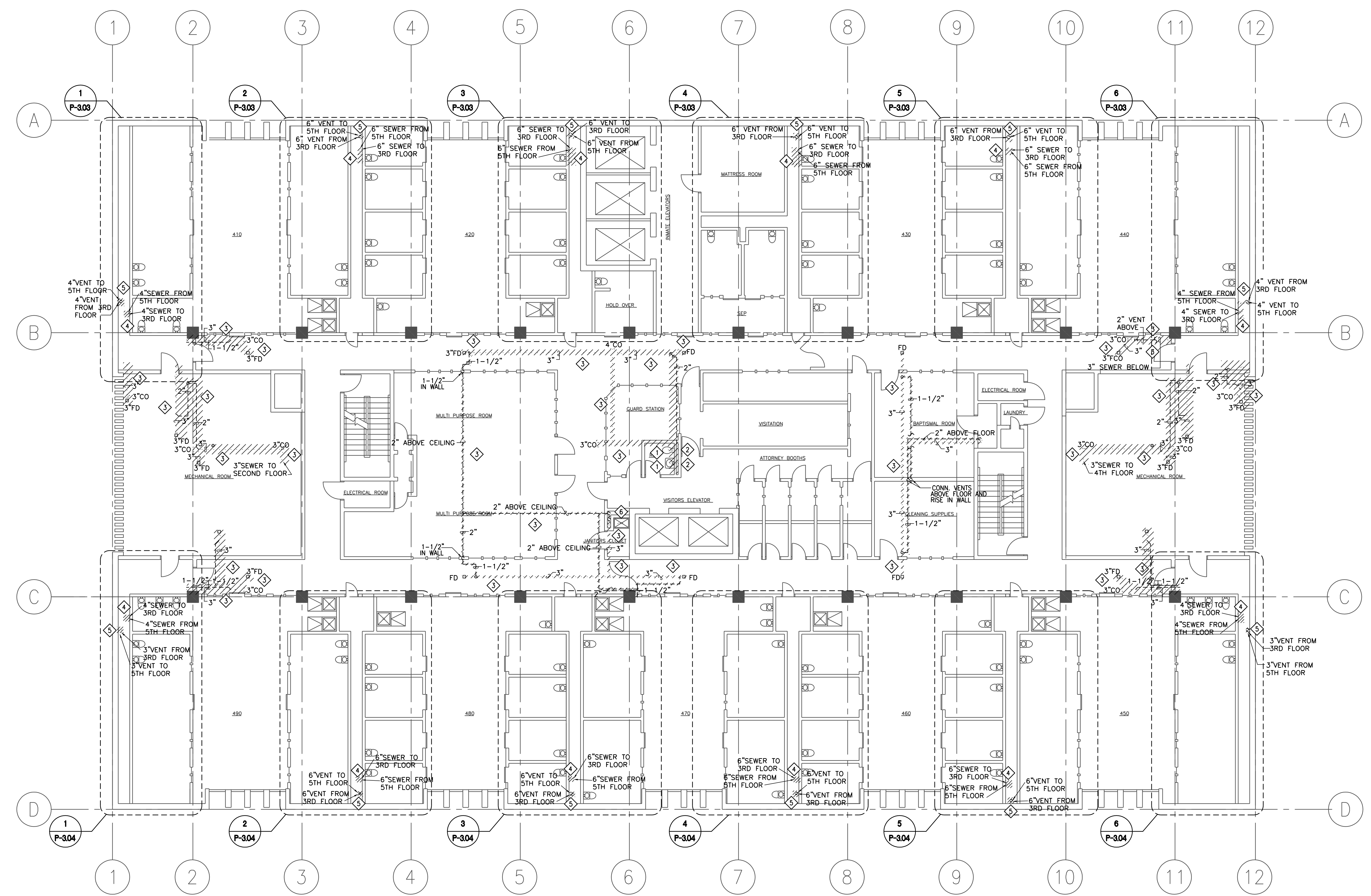
EMC ENGINEERS
2311 E. BROADWAY SUITE 1000
EL PASO, TEXAS 79912
PHONE: 915-781-2000
FAX: 915-781-2001
WWW.EMCENGINEERS.COM
TELEPHONE RECORDING: 915-781-2000
EMC PROJECT #2108022



Project: UPGRADE AND REPLACE THE SANITARY SEWER SYSTEM AT THE EL PASO COUNTY DETENTION FACILITY
Location: 601 E OVERLAND STREET EL PASO, TEXAS
Job Number: ETC-2108022
Date: 11/23/2021
Scale: A5 SHOWN
Sheet: P-2.03
10 of: X



THE SEAL APPEARING ON THIS DOCUMENT WAS AUTHORIZED BY MELVIN G. GLASS, P.E. #64935 OF EMC ENGINEERS (TEXAS FIRM REG. #24991) ON JANUARY 28, 2022. ALTERATION OF A SEALED DOCUMENT WITHOUT PROPER NOTIFICATION TO THE RESPONSIBLE ENGINEER IS AN OFFENSE UNDER THE TEXAS ENGINEERING PRACTICE ACT.



DEMOLITION PLUMBING GENERAL NOTES:

- 1 THE INTENT OF THE DEMOLITION AND REPLACEMENT OF THE SEWER AND VENTING SYSTEMS FOR THE FACILITY IS A 24/7 SECURED OPERATION FACILITY, SO THE CONTRACTOR SHALL COORDINATE ALL DEMOLITION AND REMODEL WORK WITH THE DETENTION PERSONNEL.
- 2 DEMOLITION SEWER AND VENT WORK SHOWN HATCHED, EXISTING WORK TO REMAIN IS UNHATCHED.

DEMOLITION PLUMBING KEYED NOTES:

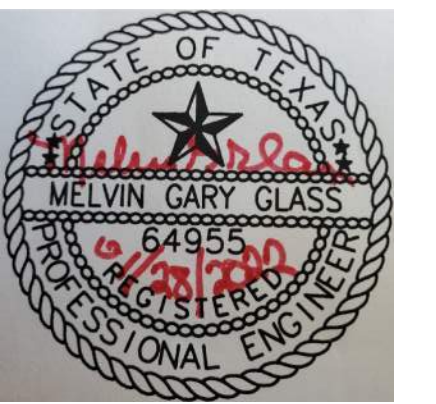
- 1 EXISTING SEWER FROM THE PLUMBING FIXTURE IS TO BE REMOVED FROM THE FIXTURE CONNECTION TO THE FLOOR PENETRATION, REFER TO REMODEL DRAWINGS P-4.04 FOR FURTHER INFORMATION.
- 2 EXISTING VENT IS TO BE REMOVED FROM CONNECTION TO THE FLOOR PENETRATION, REFER TO REMODEL DRAWINGS P-4.04 FOR FURTHER INFORMATION.
- 3 EXISTING SEWER AND VENT PIPING IN CEILING BE REMOVED AND REPLACED, REFER TO REMODEL DRAWINGS P-4.04 FOR FURTHER INFORMATION.
- 4 EXISTING SEWER MAIN RISER TO BE REMOVED AND REPLACED, REFER TO REMODEL DRAWINGS P-4.04 FOR FURTHER INFORMATION.
- 5 EXISTING VENT MAIN RISER TO BE REMOVED AND REPLACED, REFER TO REMODEL DRAWINGS P-4.04 FOR FURTHER INFORMATION.
- 6 EXISTING MOP SERVICE BASIN TO HAVE EXISTING 2" SEWER CONNECTION TO DRAIN REMOVED AND IS TO BE REPLACED WITH NEW 3" SEWER CONNECTION TO RECONNECT TO EXISTING DRAIN CONNECTION, REFER TO REMODEL DRAWING 4.04 AND SCHEMATIC 14/P-1.01 FOR FURTHER INFORMATION.

EXISTING FOURTH FLOOR PLUMBING SEWER WASTE AND VENT PIPING DEMOLITION FLOOR PLAN
 1 P-204 SCALE 1/8" = 1'-0"
 8 6 4 2 0 4 8 12 16

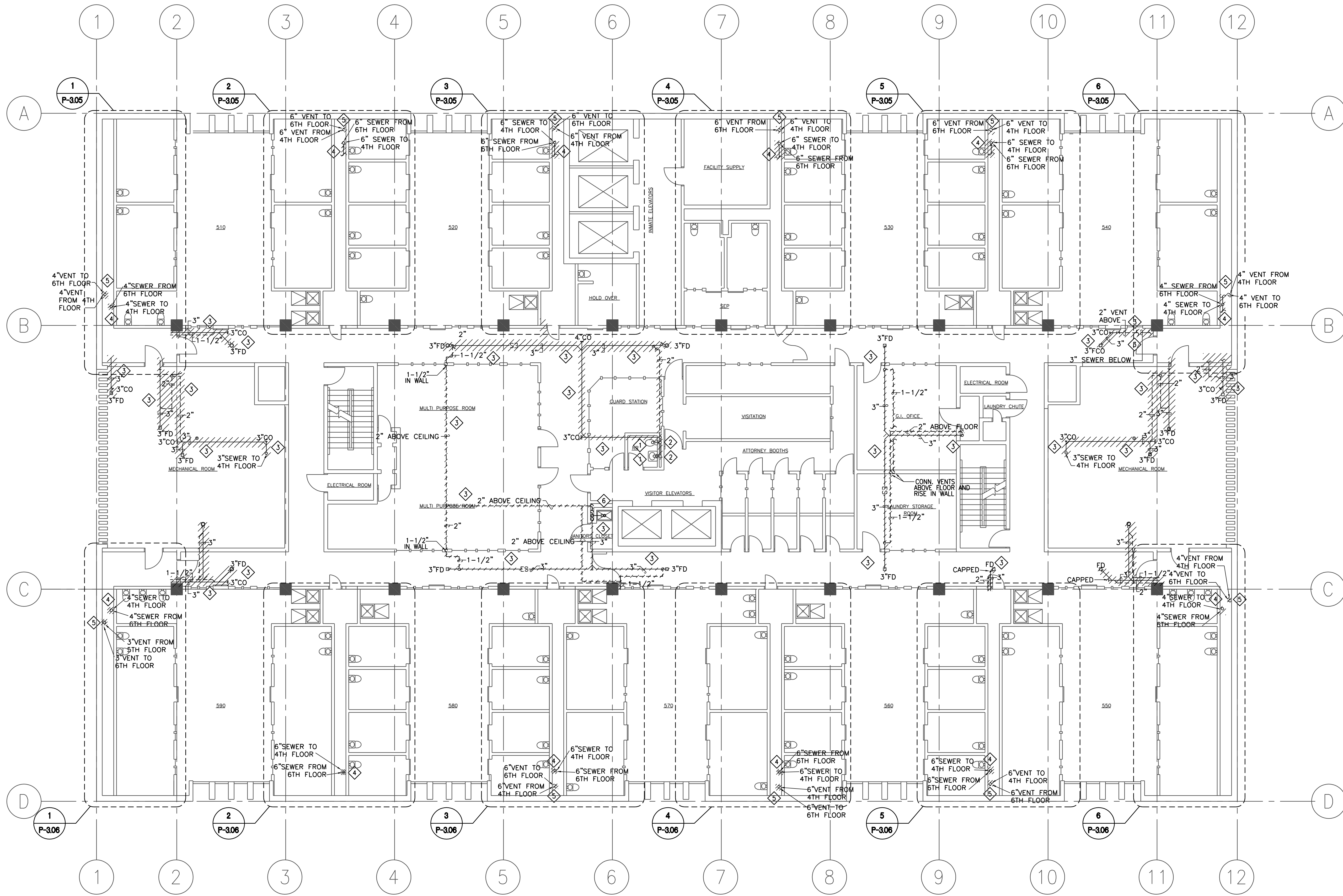
THIS DOCUMENT, WHETHER IN HARD COPY OR MACHINE READABLE FORMAT, IS COPYRIGHTED AND AN INSTRUMENT OF SERVICES IN RESPECT TO THE PROJECT FOR WHICH IT WAS PREPARED. THIS DOCUMENT IS NOT INTENDED OR AUTHORIZED FOR REUSE BY ANY PARTY ON EXTENSIONS OF SUCH PROJECT OR ANY OTHER PROJECT. ANY REUSE, INCLUDING COPYING AND/OR MODIFYING THE DOCUMENT, WITHOUT WRITTEN PERMISSION FROM EMC ENGINEERS FOR THE SPECIFIC PURPOSE INTENDED IS A VIOLATION OF FEDERAL COPYRIGHT LAW. UNAUTHORIZED USE OF THIS MATERIAL MAY RESULT IN CIVIL AND/OR CRIMINAL PENALTIES.
 COPY RIGHT 2013 EMC ENGINEERS.

Project:	UPGRADE AND REPLACE THE SANITARY SEWER SYSTEM AT THE EL PASO COUNTY DETENTION FACILITY
Location:	601 E OVERLAND STREET EL PASO, TEXAS
Job Number:	ETC-2108022
Date:	11/23/2021
Scale:	A5 SHOWN
Sheet:	P-2.04
Rev. #/Date:	Initial Revision Description:
1/	ETC
2/	ETC
3/	ETC
4/	ETC
5/	ETC
6/	ETC
7/	ETC
8/	ETC
9/	ETC
10/	ETC
11/	ETC
12/	ETC
13/	ETC
14/	ETC
15/	ETC
16/	ETC
17/	ETC
18/	ETC
19/	ETC
20/	ETC
21/	ETC
22/	ETC
23/	ETC
24/	ETC
25/	ETC
26/	ETC
27/	ETC
28/	ETC
29/	ETC
30/	ETC
31/	ETC
32/	ETC
33/	ETC
34/	ETC
35/	ETC
36/	ETC
37/	ETC
38/	ETC
39/	ETC
40/	ETC
41/	ETC
42/	ETC
43/	ETC
44/	ETC
45/	ETC
46/	ETC
47/	ETC
48/	ETC
49/	ETC
50/	ETC
51/	ETC
52/	ETC
53/	ETC
54/	ETC
55/	ETC
56/	ETC
57/	ETC
58/	ETC
59/	ETC
60/	ETC
61/	ETC
62/	ETC
63/	ETC
64/	ETC
65/	ETC
66/	ETC
67/	ETC
68/	ETC
69/	ETC
70/	ETC
71/	ETC
72/	ETC
73/	ETC
74/	ETC
75/	ETC
76/	ETC
77/	ETC
78/	ETC
79/	ETC
80/	ETC
81/	ETC
82/	ETC
83/	ETC
84/	ETC
85/	ETC
86/	ETC
87/	ETC
88/	ETC
89/	ETC
90/	ETC
91/	ETC
92/	ETC
93/	ETC
94/	ETC
95/	ETC
96/	ETC
97/	ETC
98/	ETC
99/	ETC
100/	ETC





THE SEAL APPEARING ON THIS DOCUMENT WAS AUTHORIZED BY MELVIN G. GLASS, P.E. #64935 OF EMC ENGINEERS (TEXAS FIRM REG. #24991) ON JANUARY 28, 2022. ALTERATION OF A SEALED DOCUMENT WITHOUT PROPER NOTIFICATION TO THE RESPONSIBLE ENGINEER IS AN OFFENSE UNDER THE TEXAS ENGINEERING PRACTICE ACT.



EXISTING FIFTH FLOOR PLUMBING SEWER WASTE AND VENT PIPING DEMOLITION FLOOR PLAN
 SCALE 1/8" = 1'-0"
 8 6 4 2 0 4 8 12 16

DEMOLITION PLUMBING GENERAL NOTES:

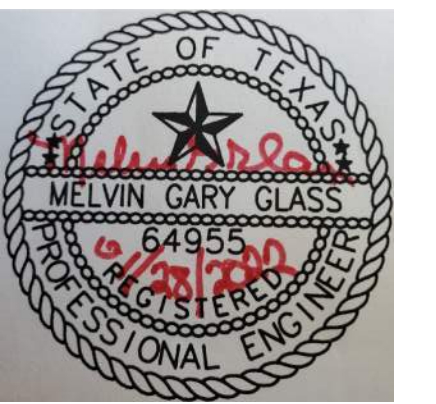
- 1 THE INTENT OF THE DEMOLITION AND REPLACEMENT OF THE SEWER AND VENTING SYSTEMS FOR THE FACILITY. THIS FACILITY IS A 24/7 SECURED OPERATION FACILITY, SO THE CONTRACTOR SHALL COORDINATE ALL DEMOLITION AND REMODEL WORK WITH THE DETENTION PERSONNEL.
- 2 DEMOLITION SEWER AND VENT WORK SHOWN HATCHED, EXISTING WORK TO REMAIN IS UNHATCHED.

DEMOLITION PLUMBING KEYED NOTES:

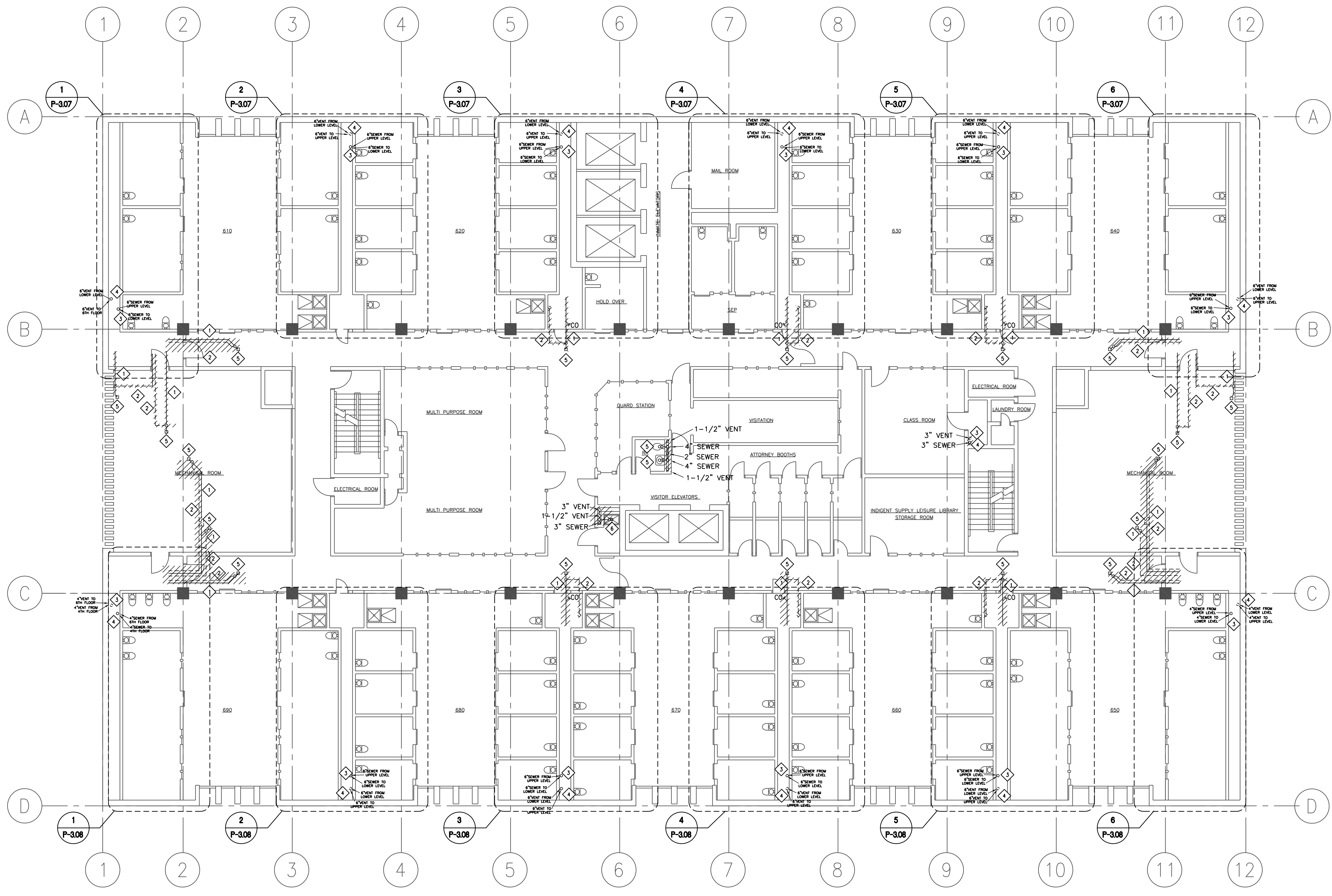
- 1 EXISTING SEWER FROM THE PLUMBING FIXTURE IS TO BE REMOVED FROM THE FIXTURE CONNECTION TO THE FLOOR PENETRATION, REFER TO REMODEL DRAWINGS P-4.05 FOR FURTHER INFORMATION.
- 2 EXISTING VENT IS TO BE REMOVED FROM CONNECTION TO THE FLOOR PENETRATION, REFER TO REMODEL DRAWINGS P-4.05 FOR FURTHER INFORMATION.
- 3 EXISTING SEWER AND VENT PIPING IN CEILING BE REMOVED AND REPLACED, REFER TO REMODEL DRAWINGS P-4.05 FOR FURTHER INFORMATION.
- 4 EXISTING SEWER MAIN RISER TO BE REMOVED AND REPLACED, REFER TO REMODEL DRAWINGS P-4.05 FOR FURTHER INFORMATION.
- 5 EXISTING VENT MAIN RISER TO BE REMOVED AND REPLACED, REFER TO REMODEL DRAWINGS P-4.05 FOR FURTHER INFORMATION.
- 6 EXISTING MOP SERVICE BASIN TO HAVE EXISTING 2" SEWER CONNECTION TO DRAIN REMOVED AND IS TO BE REPLACED WITH NEW 3" SEWER CONNECTION TO RECONNECT TO EXISTING DRAIN CONNECTION, REFER TO REMODEL DRAWING 4.05 AND SCHEMATIC 14/P-1.01 FOR FURTHER INFORMATION.

Project:	UPGRADE AND REPLACE THE SANITARY SEWER SYSTEM AT THE EL PASO COUNTY DETENTION FACILITY
Location:	601 E OVERLAND STREET EL PASO, TEXAS
Job Number:	ETC-2108022
Date:	11/23/2021
Scale:	A5 SHOWN
Sheet:	P-2.05
12 of:	X

THIS DOCUMENT, WHETHER IN HARD COPY OR MACHINE READABLE FORMAT, IS COPYRIGHTED AND AN INSTRUMENT OF SERVICES IN RESPECT TO THE PROJECT FOR WHICH IT WAS PREPARED. THIS DOCUMENT IS NOT INTENDED OR AUTHORIZED FOR REUSE BY ANY PARTY ON EXTENSIONS OF SUCH PROJECT OR ANY OTHER PROJECT ANY REUSE, INCLUDING COPYING AND/OR MODIFYING THE DOCUMENT, WITHOUT WRITTEN PERMISSION FROM EMC ENGINEERS FOR THE SPECIFIC PURPOSE INTENDED IS A VIOLATION OF FEDERAL COPYRIGHT LAW. UNAUTHORIZED USE OF THIS MATERIAL MAY RESULT IN CIVIL AND/OR CRIMINAL PENALTIES.
 COPY RIGHT 2013 EMC ENGINEERS.



THE SEAL APPEARING ON THIS DOCUMENT WAS AUTHORIZED BY MELVIN G. GLASS, P.E. #64935 OF EMC ENGINEERS (EMC FIRM REG. #24991) ON JANUARY 28, 2022. ANY ALTERATION OF A SEALED DOCUMENT WITHOUT PROPER NOTIFICATION TO THE RESPONSIBLE ENGINEER IS AN OFFENSE UNDER THE TEXAS ENGINEERING PRACTICE ACT.



DEMOLITION PLUMBING GENERAL NOTES:

- 1 THE INTENT OF THE DEMOLITION AND REPLACEMENT OF THE SEWER AND VENTING SYSTEMS FOR THE FACILITY. THIS FACILITY IS A 24/7 SECURED OPERATION FACILITY, SO THE CONTRACTOR SHALL COORDINATE ALL DEMOLITION AND REMODEL WORK WITH THE DETENTION PERSONNEL.
- 2 DEMOLITION SEWER AND VENT WORK SHOWN HATCHED, EXISTING WORK TO REMAIN IS UNHATCHED.

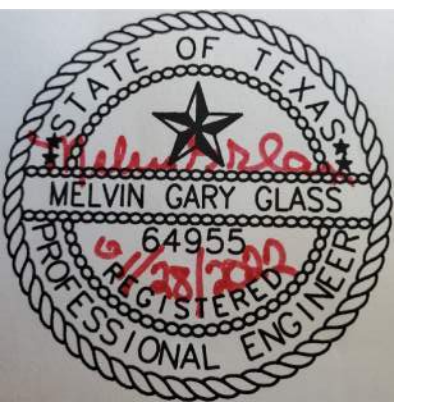
DEMOLITION PLUMBING KEYED NOTES:

- 1 EXISTING SEWER FROM THE CORRIDOR FLOOR DRAIN IS TO BE REMOVED FROM THE FLOOR DRAIN CONNECTION TO THE ABOVE CEILING SEWER MAIN IN CHASE, REFER TO REMODEL DRAWINGS P-4.06 FOR FURTHER INFORMATION.
- 2 EXISTING VENT FROM THE CORRIDOR FLOOR DRAIN IS TO BE REMOVED FROM THE FLOOR DRAIN CONNECTION TO THE ABOVE CEILING VENT MAIN IN CHASE, REFER TO REMODEL DRAWINGS P-4.06 FOR FURTHER INFORMATION.
- 3 EXISTING SEWER MAIN RISER TO BE REMOVED AND REPLACED, REFER TO REMODEL DRAWINGS P-4.06 FOR FURTHER INFORMATION.
- 4 EXISTING VENT MAIN RISER TO BE REMOVED AND REPLACED, REFER TO REMODEL DRAWINGS P-4.06 FOR FURTHER INFORMATION.
- 5 EXISTING SEWER PIPING AND ASSOCIATED FITTINGS SERVING THE ASSOCIATED PLUMBING FIXTURE ARE TO BE REPLACED WITH NEW PIPING, REFER TO REMODEL DRAWINGS P-4.06 FOR FURTHER INFORMATION.
- 6 EXISTING MOP SERVICE BASIN TO HAVE EXISTING 2" SEWER CONNECTION TO DRAIN REMOVED AND IS TO BE REPLACED WITH NEW 3" SEWER CONNECTION TO RECONNECT TO EXISTING DRAIN CONNECTION, REFER TO REMODEL DRAWING P-4.06 AND SCHEMATIC14/P-1.01 FOR FURTHER INFORMATION.

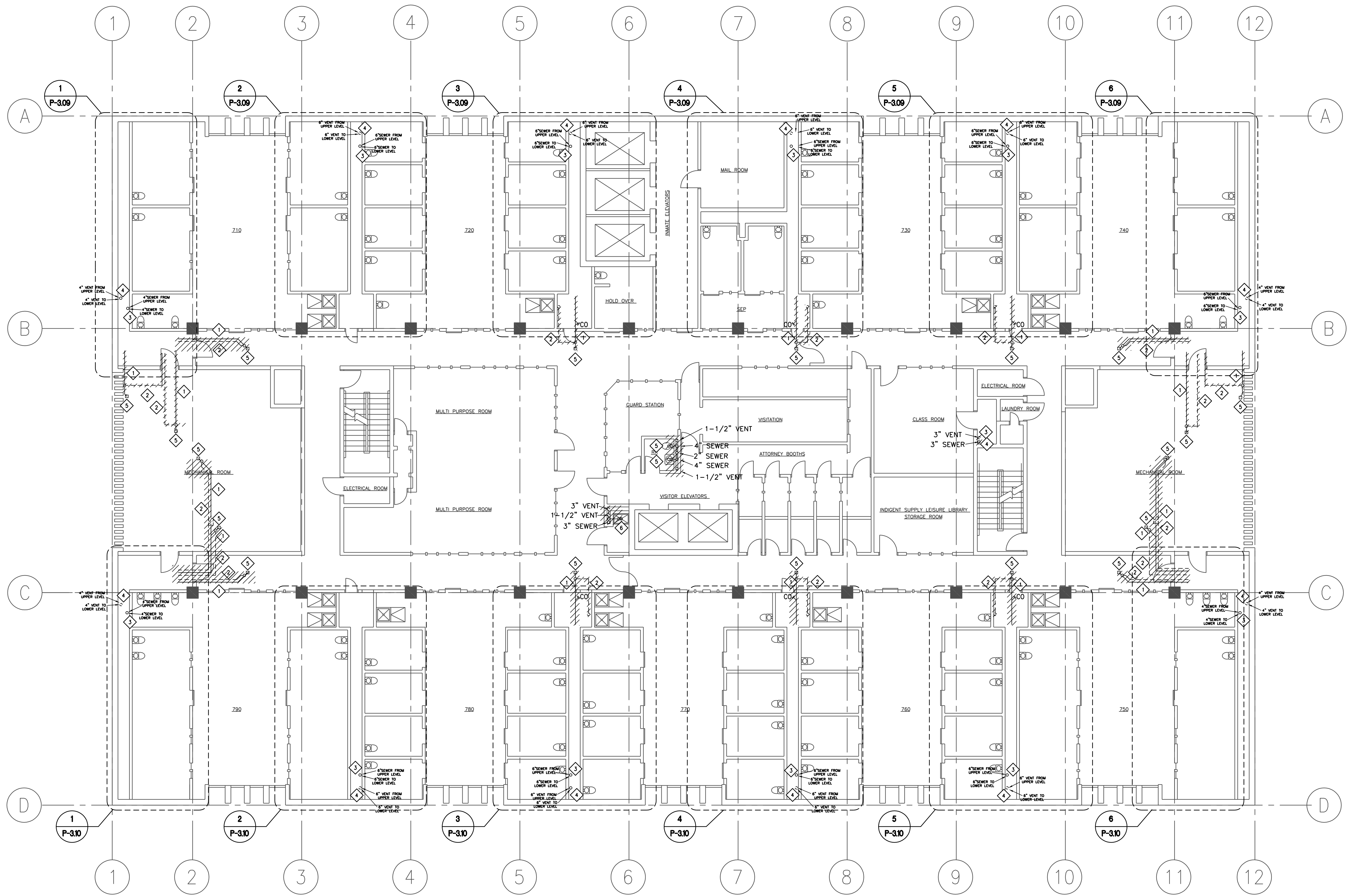
EXISTING SIXTH FLOOR PLUMBING SEWER WASTE AND VENT PIPING DEMOLITION FLOOR PLAN
 SCALE: 1/8" = 1'-0"
 8 6 4 2 0 4 8 12 16

THIS DOCUMENT, WHETHER IN HARD COPY OR MACHINE READABLE FORMAT, IS COPYRIGHTED AND AN INSTRUMENT OF SERVICES IN RESPECT TO THE PROJECT FOR WHICH IT WAS PREPARED. THIS DOCUMENT IS NOT INTENDED OR AUTHORIZED FOR REUSE BY ANY PARTY ON EXTENSIONS OF SUCH PROJECT OR ANY OTHER PROJECT. ANY REUSE, INCLUDING COPYING AND/OR MODIFYING THE DOCUMENT, WITHOUT WRITTEN PERMISSION FROM EMC ENGINEERS FOR THE SPECIFIC PURPOSE INTENDED IS A VIOLATION OF FEDERAL COPYRIGHT LAW. UNAUTHORIZED USE OF THIS MATERIAL MAY RESULT IN CIVIL AND/OR CRIMINAL PENALTIES.
 COPY RIGHT 2013 EMC ENGINEERS.

Project:	UPGRADE AND REPLACE THE SANITARY SEWER SYSTEM AT THE EL PASO COUNTY DETENTION FACILITY
Location:	601 E OVERLAND STREET EL PASO, TEXAS
Job Number:	ETC-2108022
Date:	11/23/2021
Scale:	A5 SHOWN
Sheet:	P-2.06
13 of: X	



THE SEAL APPEARING ON THIS DOCUMENT WAS AUTHORIZED BY MELVIN G. GLASS, P.E. #64935 OF EMC ENGINEERS (TEAMS FIRM REG. #24991) ON JANUARY 28, 2022. ALTERATION OF A SEALED DOCUMENT WITHOUT PROPER NOTIFICATION TO THE RESPONSIBLE ENGINEER IS AN OFFENSE UNDER THE TEXAS ENGINEERING PRACTICE ACT.



DEMOLITION PLUMBING GENERAL NOTES:

- 1 THE INTENT OF THE DEMOLITION AND REPLACEMENT OF THE SEWER AND VENTING SYSTEMS FOR THE FACILITY. THIS FACILITY IS A 24/7 SECURED OPERATION FACILITY, SO THE CONTRACTOR SHALL COORDINATE ALL DEMOLITION AND REMODEL WORK WITH THE DETENTION PERSONNEL.
- 2 DEMOLITION SEWER AND VENT WORK SHOWN HATCHED, EXISTING WORK TO REMAIN IS UNHATCHED.

DEMOLITION PLUMBING KEYED NOTES:

- 1 EXISTING SEWER FROM THE CORRIDOR FLOOR DRAIN IS TO BE REMOVED FROM THE FLOOR DRAIN CONNECTION TO THE ABOVE CEILING SEWER MAIN IN CHASE, REFER TO REMODEL DRAWINGS P-4.06 FOR FURTHER INFORMATION.
- 2 EXISTING VENT FROM THE CORRIDOR FLOOR DRAIN IS TO BE REMOVED FROM THE FLOOR DRAIN CONNECTION TO THE ABOVE CEILING VENT MAIN IN CHASE, REFER TO REMODEL DRAWINGS P-4.06 FOR FURTHER INFORMATION.
- 3 EXISTING SEWER MAIN RISER TO BE REMOVED AND REPLACED, REFER TO REMODEL DRAWINGS P-4.06 FOR FURTHER INFORMATION.
- 4 EXISTING VENT MAIN RISER TO BE REMOVED AND REPLACED, REFER TO REMODEL DRAWINGS P-4.06 FOR FURTHER INFORMATION.
- 5 EXISTING SEWER PIPING AND ASSOCIATED FITTINGS SERVING THE ASSOCIATED PLUMBING FIXTURE ARE TO BE REPLACED WITH NEW PIPING, REFER TO REMODEL DRAWINGS P-4.06 FOR FURTHER INFORMATION.
- 6 EXISTING MOP SERVICE BASIN TO HAVE EXISTING 2" SEWER CONNECTION TO DRAIN REMOVED AND IS TO BE REPLACED WITH NEW 3" SEWER CONNECTION TO RECONNECT TO EXISTING DRAIN CONNECTION, REFER TO REMODEL DRAWING P-4.06 AND SCHEMATIC14/P-1.01 FOR FURTHER INFORMATION.

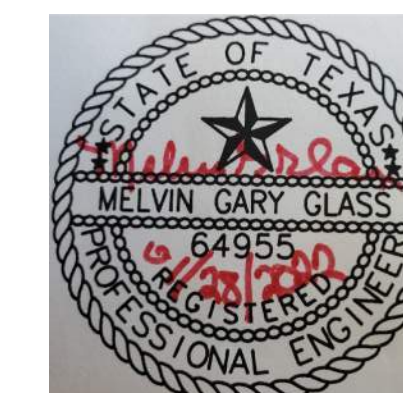
EXISTING SEVENTH FLOOR PLUMBING SEWER WASTE AND VENT PIPING DEMOLITION FLOOR PLAN
 SCALE: 1/8" = 1'-0"
 8 6 4 2 0 4 8 12 16

THIS DOCUMENT, WHETHER IN HARD COPY OR MACHINE READABLE FORMAT, IS COPYRIGHTED AND AN INSTRUMENT OF SERVICES IN RESPECT TO THE PROJECT FOR WHICH IT WAS PREPARED. THIS DOCUMENT IS NOT INTENDED OR AUTHORIZED FOR REUSE BY ANY PARTY ON EXTENSIONS OF SUCH PROJECT OR ANY OTHER PROJECT. ANY REUSE, INCLUDING COPYING AND/OR MODIFYING THE DOCUMENT, WITHOUT WRITTEN PERMISSION FROM EMC ENGINEERS FOR THE SPECIFIC PURPOSE INTENDED IS A VIOLATION OF FEDERAL COPYRIGHT LAW. UNAUTHORIZED USE OF THIS MATERIAL MAY RESULT IN CIVIL AND/OR CRIMINAL PENALTIES.
 COPY RIGHT 2013 EMC ENGINEERS.

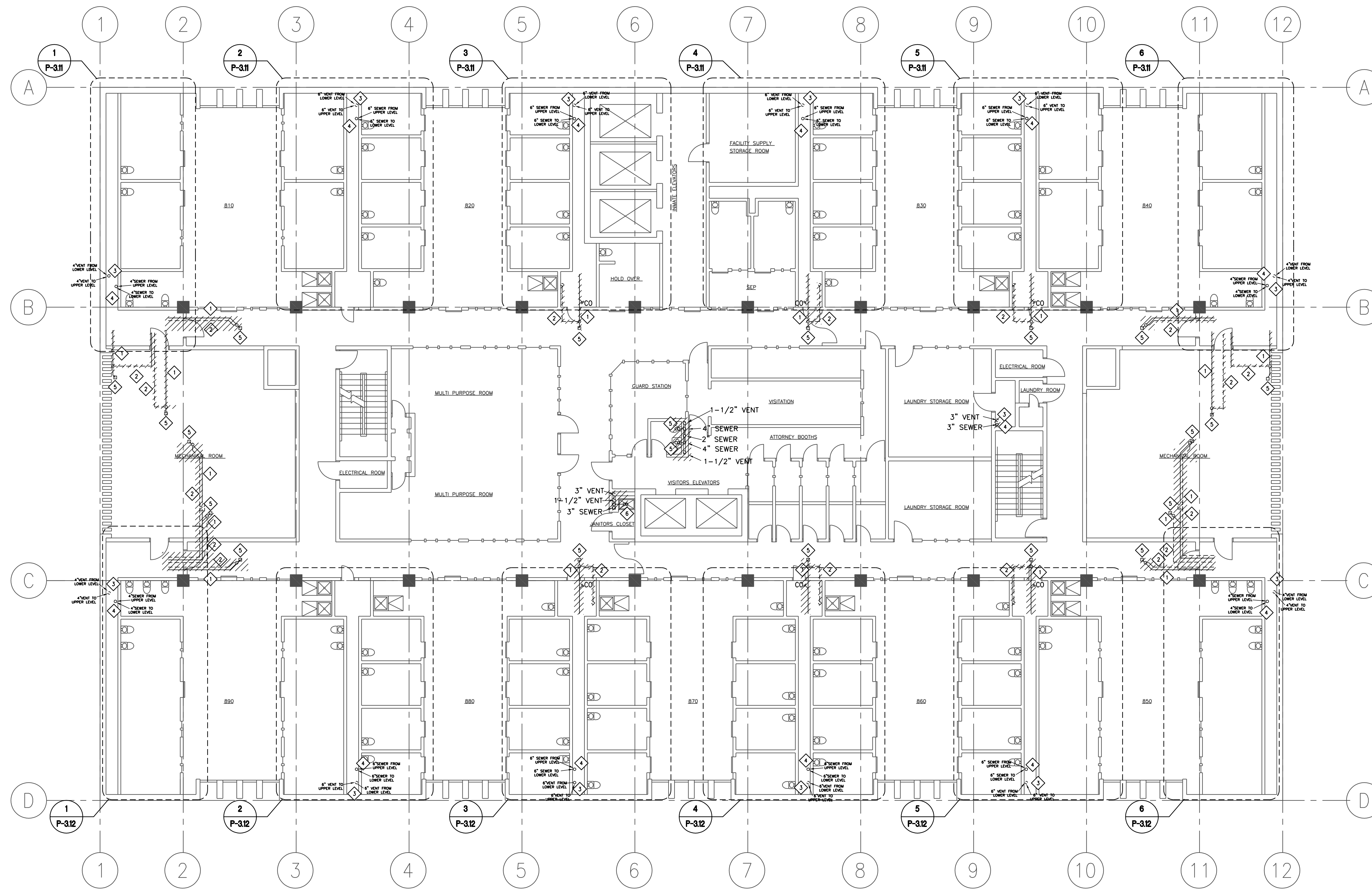
Project:	UPGRADE AND REPLACE THE SANITARY SEWER SYSTEM AT THE EL PASO COUNTY DETENTION FACILITY
Location:	601 E OVERLAND STREET EL PASO, TEXAS
Job Number:	ETC-2108022
Date:	11/23/2021
Scale:	AS SHOWN
Sheet:	P-2.07
14 of:	X



Rev.#/Date	Initial	Revision Description
1/11/23/2021	ETC	ETC
2/11/23/2021	ETC	ETC
3/11/23/2021	ETC	ETC
4/11/23/2021	ETC	ETC
5/11/23/2021	ETC	ETC
6/11/23/2021	ETC	ETC
7/11/23/2021	ETC	ETC
8/11/23/2021	ETC	ETC
9/11/23/2021	ETC	ETC
10/11/23/2021	ETC	ETC
11/11/23/2021	ETC	ETC
12/11/23/2021	ETC	ETC



THE SEAL APPEARING ON THIS DOCUMENT WAS AUTHORIZED BY MELVIN G. GLASS, P.E. #64935 OF EMC ENGINEERS (TEXAS FIRM REG. #22491) ON JANUARY 28, 2022. ALTERATION OF A SEALED DOCUMENT WITHOUT PROPER NOTIFICATION TO THE RESPONSIBLE ENGINEER IS AN OFFENSE UNDER THE TEXAS ENGINEERING PRACTICE ACT.



DEMOLITION PLUMBING GENERAL NOTES:

- 1 THE INTENT OF THE DEMOLITION AND REPLACEMENT OF THE SEWER AND VENTING SYSTEMS FOR THE FACILITY. THIS FACILITY IS A 24/7 SECURED OPERATION FACILITY, SO THE CONTRACTOR SHALL COORDINATE ALL DEMOLITION AND REMODEL WORK WITH THE DETENTION PERSONNEL.
- 2 DEMOLITION SEWER AND VENT WORK SHOWN HATCHED, EXISTING WORK TO REMAIN IS UNHATCHED.

DEMOLITION PLUMBING KEYED NOTES:

- 1 EXISTING SEWER FROM THE CORRIDOR FLOOR DRAIN IS TO BE REMOVED FROM THE FLOOR DRAIN CONNECTION TO THE ABOVE CEILING SEWER MAIN IN CHASE, REFER TO REMODEL DRAWINGS P-4.06 FOR FURTHER INFORMATION.
- 2 EXISTING VENT FROM THE CORRIDOR FLOOR DRAIN IS TO BE REMOVED FROM THE FLOOR DRAIN CONNECTION TO THE ABOVE CEILING VENT MAIN IN CHASE, REFER TO REMODEL DRAWINGS P-4.06 FOR FURTHER INFORMATION.
- 3 EXISTING SEWER MAIN RISER TO BE REMOVED AND REPLACED, REFER TO REMODEL DRAWINGS P-4.06 FOR FURTHER INFORMATION.
- 4 EXISTING VENT MAIN RISER TO BE REMOVED AND REPLACED, REFER TO REMODEL DRAWINGS P-4.06 FOR FURTHER INFORMATION.
- 5 EXISTING SEWER PIPING AND ASSOCIATED FITTINGS SERVING THE ASSOCIATED PLUMBING FIXTURE ARE TO BE REPLACED WITH NEW PIPING, REFER TO REMODEL DRAWINGS P-4.06 FOR FURTHER INFORMATION.
- 6 EXISTING MOP SERVICE BASIN TO HAVE EXISTING 2" SEWER CONNECTION TO DRAIN REMOVED AND IS TO BE REPLACED WITH NEW 3" SEWER CONNECTION TO RECONNECT TO EXISTING DRAIN CONNECTION, REFER TO REMODEL DRAWING P-4.06 AND SCHEMATIC14/P-1.01 FOR FURTHER INFORMATION.

EXISTING EIGHTH FLOOR PLUMBING SEWER WASTE AND VENT PIPING DEMOLITION FLOOR PLAN
 SCALE: 1/8" = 1'-0"
 8 6 4 2 0 4 8 12 16

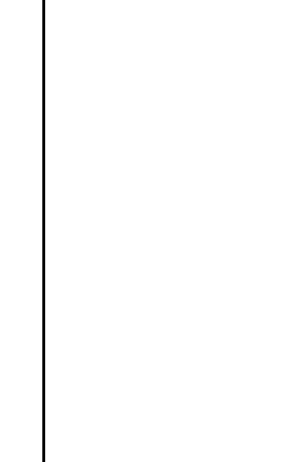
Project:	UPGRADE AND REPLACE THE SANITARY SEWER SYSTEM AT THE EL PASO COUNTY DETENTION FACILITY
Location:	601 E OVERLAND STREET EL PASO, TEXAS
Job Number:	ETC-2108022
Date:	11/23/2021
Scale:	AS SHOWN
Sheet:	P-2.08
15 of:	X

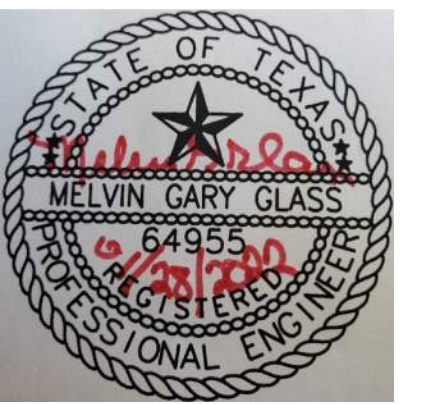
THIS DOCUMENT, WHETHER IN HARD COPY OR MACHINE READABLE FORMAT, IS COPYRIGHTED AND AN INSTRUMENT OF SERVICES IN RESPECT TO THE PROJECT FOR WHICH IT WAS PREPARED. THIS DOCUMENT IS NOT INTENDED OR AUTHORIZED FOR REUSE BY ANY PARTY ON EXTENSIONS OF SUCH PROJECT OR ANY OTHER PROJECT ANY REUSE, INCLUDING COPYING AND/OR MODIFYING THE DOCUMENT, WITHOUT WRITTEN PERMISSION FROM EMC ENGINEERS FOR THE SPECIFIC PURPOSE INTENDED IS A VIOLATION OF FEDERAL COPYRIGHT LAW. UNAUTHORIZED USE OF THIS MATERIAL MAY RESULT IN CIVIL AND/OR CRIMINAL PENALTIES.
 COPY RIGHT 2013 EMC ENGINEERS.

Rev. #	Date	Description
1		ETC
2		ETC

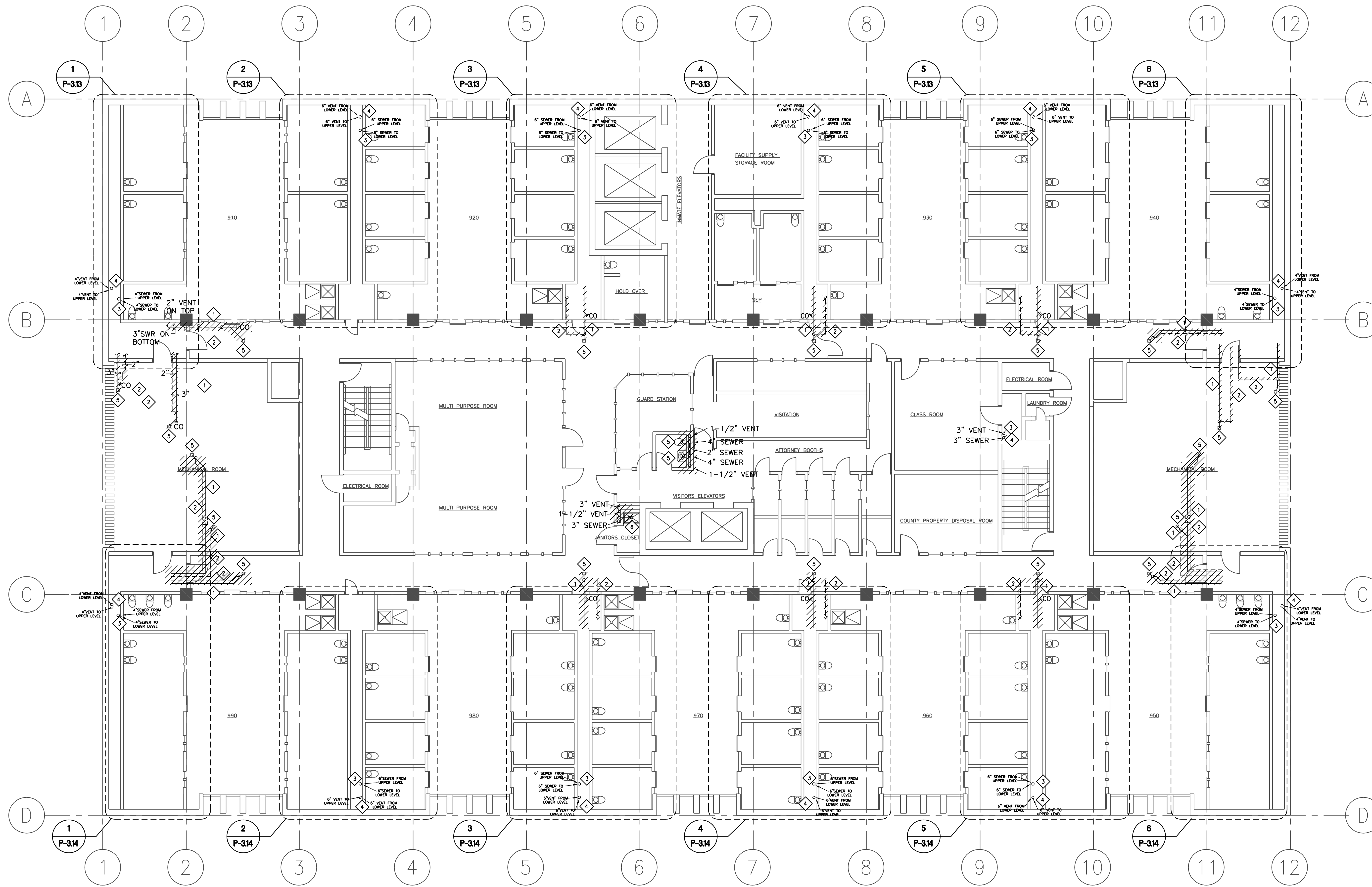
EMC ENGINEERS
 2311 E. BUSINESS AVENUE SUITE 100
 EL PASO, TEXAS 79912
 TEL: 915-781-2030
 TEXAS FIRM REG. #22491
 EMC PROJECT #2108022

Designed By: ETC
 Drawn By: ETC
 Checked By: ETC





THE SEAL APPEARING ON THIS DOCUMENT WAS AUTHORIZED BY MELVIN G. GLASS, P.E. #64935 OF EMC ENGINEERS (TEXAS FIRM REG. #24991) ON JANUARY 28, 2022. ANY ALTERATION OR ALTERATION OF A SEALED DOCUMENT WITHOUT PROPER NOTIFICATION TO THE RESPONSIBLE ENGINEER IS AN OFFENSE UNDER THE TEXAS ENGINEERING PRACTICE ACT.



DEMOLITION PLUMBING GENERAL NOTES:

- 1 THE INTENT OF THE DEMOLITION AND REPLACEMENT OF THE SEWER AND VENTING SYSTEMS FOR THE FACILITY. THIS FACILITY IS A 24/7 SECURED OPERATION FACILITY, SO THE CONTRACTOR SHALL COORDINATE ALL DEMOLITION AND REMODEL WORK WITH THE DETENTION PERSONNEL.
- 2 DEMOLITION SEWER AND VENT WORK SHOWN HATCHED, EXISTING WORK TO REMAIN IS UNHATCHED.

DEMOLITION PLUMBING KEYED NOTES:

- 1 EXISTING SEWER FROM THE CORRIDOR FLOOR DRAIN IS TO BE REMOVED FROM THE FLOOR DRAIN CONNECTION TO THE ABOVE CEILING SEWER MAIN IN CHASE, REFER TO REMODEL DRAWINGS P-4.06 FOR FURTHER INFORMATION.
- 2 EXISTING VENT FROM THE CORRIDOR FLOOR DRAIN IS TO BE REMOVED FROM THE FLOOR DRAIN CONNECTION TO THE ABOVE CEILING VENT MAIN IN CHASE, REFER TO REMODEL DRAWINGS P-4.06 FOR FURTHER INFORMATION.
- 3 EXISTING SEWER MAIN RISER TO BE REMOVED AND REPLACED, REFER TO REMODEL DRAWINGS P-4.06 FOR FURTHER INFORMATION.
- 4 EXISTING VENT MAIN RISER TO BE REMOVED AND REPLACED, REFER TO REMODEL DRAWINGS P-4.06 FOR FURTHER INFORMATION.
- 5 EXISTING SEWER PIPING AND ASSOCIATED FITTINGS SERVING THE ASSOCIATED PLUMBING FIXTURE ARE TO BE REPLACED WITH NEW PIPING, REFER TO REMODEL DRAWINGS P-4.06 FOR FURTHER INFORMATION.
- 6 EXISTING MOP SERVICE BASIN TO HAVE EXISTING 2" SEWER CONNECTION TO DRAIN REMOVED AND IS TO BE REPLACED WITH NEW 3" SEWER CONNECTION TO RECONNECT TO EXISTING DRAIN CONNECTION, REFER TO REMODEL DRAWING P-4.06 AND SCHEMATIC14/P-1.01 FOR FURTHER INFORMATION.

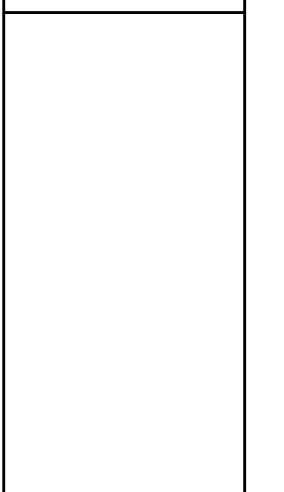
EXISTING NINTH FLOOR PLUMBING SEWER WASTE AND VENT PIPING DEMOLITION FLOOR PLAN
 SCALE: 1/8" = 1'-0"
 8 6 4 2 0 4 8 12 16

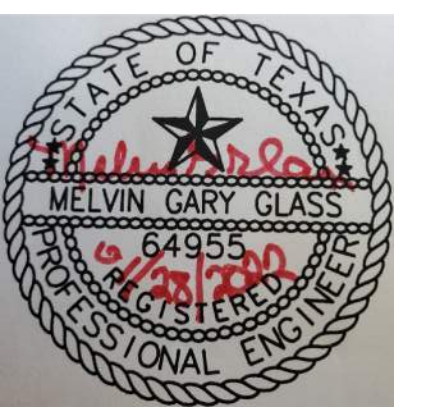
THIS DOCUMENT, WHETHER IN HARD COPY OR MACHINE READABLE FORMAT, IS COPYRIGHTED AND AN INSTRUMENT OF SERVICES IN RESPECT TO THE PROJECT FOR WHICH IT WAS PREPARED. THIS DOCUMENT IS NOT INTENDED OR AUTHORIZED FOR REUSE BY ANY PARTY ON EXTENSIONS OF SUCH PROJECT OR ANY OTHER PROJECT ANY REUSE, INCLUDING COPYING AND/OR MODIFYING THE DOCUMENT, WITHOUT WRITTEN PERMISSION FROM EMC ENGINEERS FOR THE SPECIFIC PURPOSE INTENDED IS A VIOLATION OF FEDERAL COPYRIGHT LAW. UNAUTHORIZED USE OF THIS MATERIAL MAY RESULT IN CIVIL AND/OR CRIMINAL PENALTIES.
 COPY RIGHT 2013 EMC ENGINEERS.

Project:	UPGRADE AND REPLACE THE SANITARY SEWER SYSTEM AT THE EL PASO COUNTY DETENTION FACILITY
Location:	601 E OVERLAND STREET EL PASO, TEXAS
Job Number:	ETC-2108022
Date:	11/23/2021
Scale:	AS SHOWN
Sheet:	P-2.09
16 of:	X

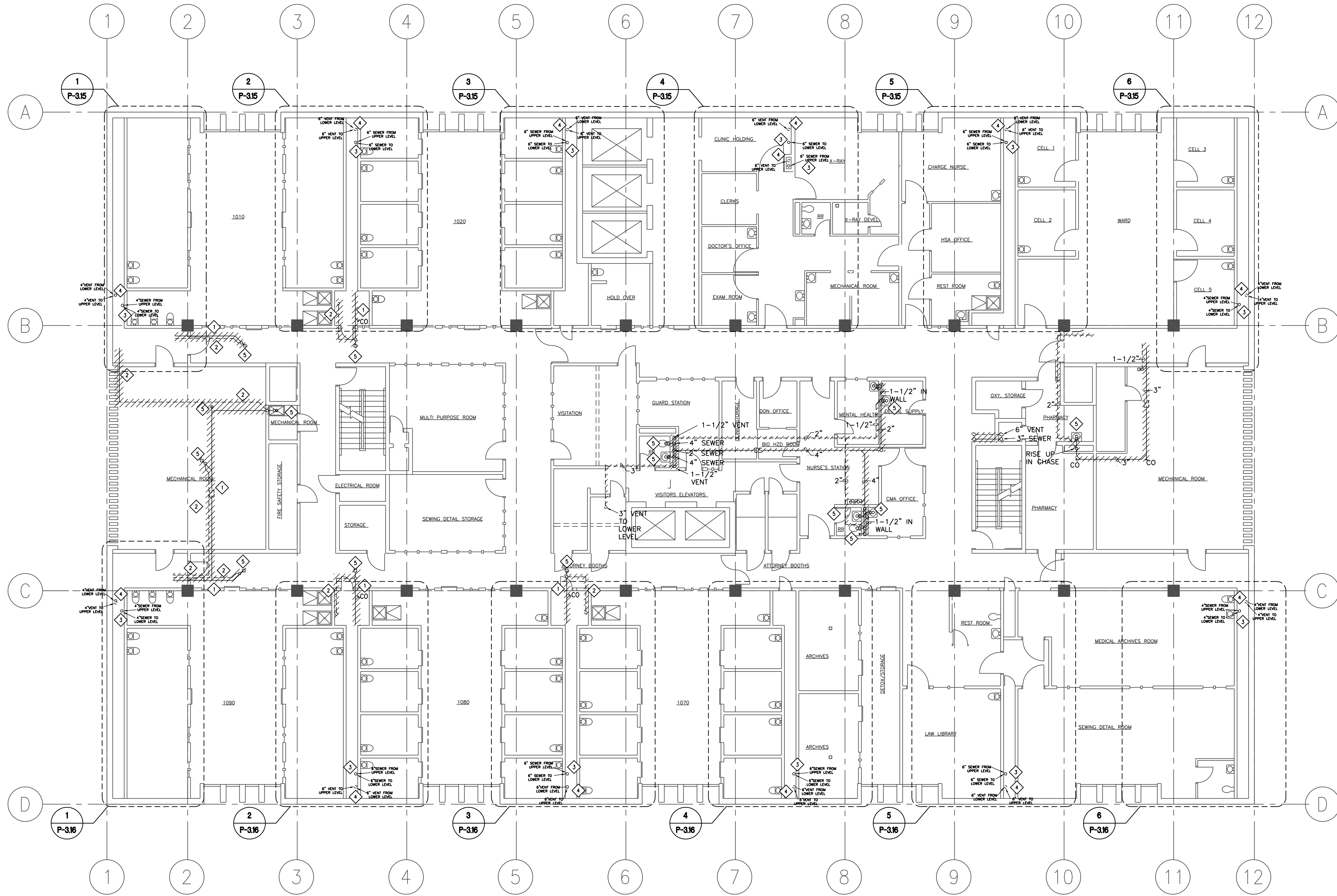
Rev.#	Date	Description
1		ETC
2		ETC
3		ETC
4		ETC
5		ETC
6		ETC

EMC ENGINEERS
 2311 E. BUSINESS AVENUE SUITE 100
 EL PASO, TEXAS 79901
 TEL: 915-781-2000
 FAX: 915-781-2002
 WWW.EMCENGINEERS.COM
 TEXAS FIRM REG. #24991
 EMC PROJECT #2108022





THE SEAL APPEARING ON THIS DOCUMENT WAS AUTHORIZED BY MELVIN G. GLASS, P.E. #64935 OF EMC ENGINEERS (TEXAS FIRM REG. #24911) ON JANUARY 28, 2022.
 ALTERATION OF A SEALED DOCUMENT WITHOUT PROPER NOTIFICATION TO THE RESPONSIBLE ENGINEER IS AN OFFENSE UNDER THE TEXAS ENGINEERING PRACTICE ACT.



1
 P-2.10
 SCALE 1/8" = 1'-0"
 8 6 4 2 0 4 8 12 16

DEMOLITION PLUMBING GENERAL NOTES:

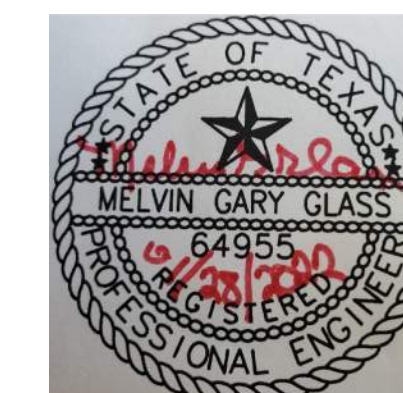
- 1 THE INTENT OF THE DEMOLITION AND REPLACEMENT OF THE SEWER AND VENTING SYSTEMS FOR THE FACILITY. THIS FACILITY IS A 24/7 SECURED OPERATION FACILITY. SO THE CONTRACTOR SHALL COORDINATE ALL DEMOLITION AND REMODEL WORK WITH THE DETENTION PERSONNEL.
- 2 DEMOLITION SEWER AND VENT WORK SHOWN HATCHED, EXISTING WORK TO REMAIN IS UNHATCHED.

DEMOLITION PLUMBING KEYED NOTES:

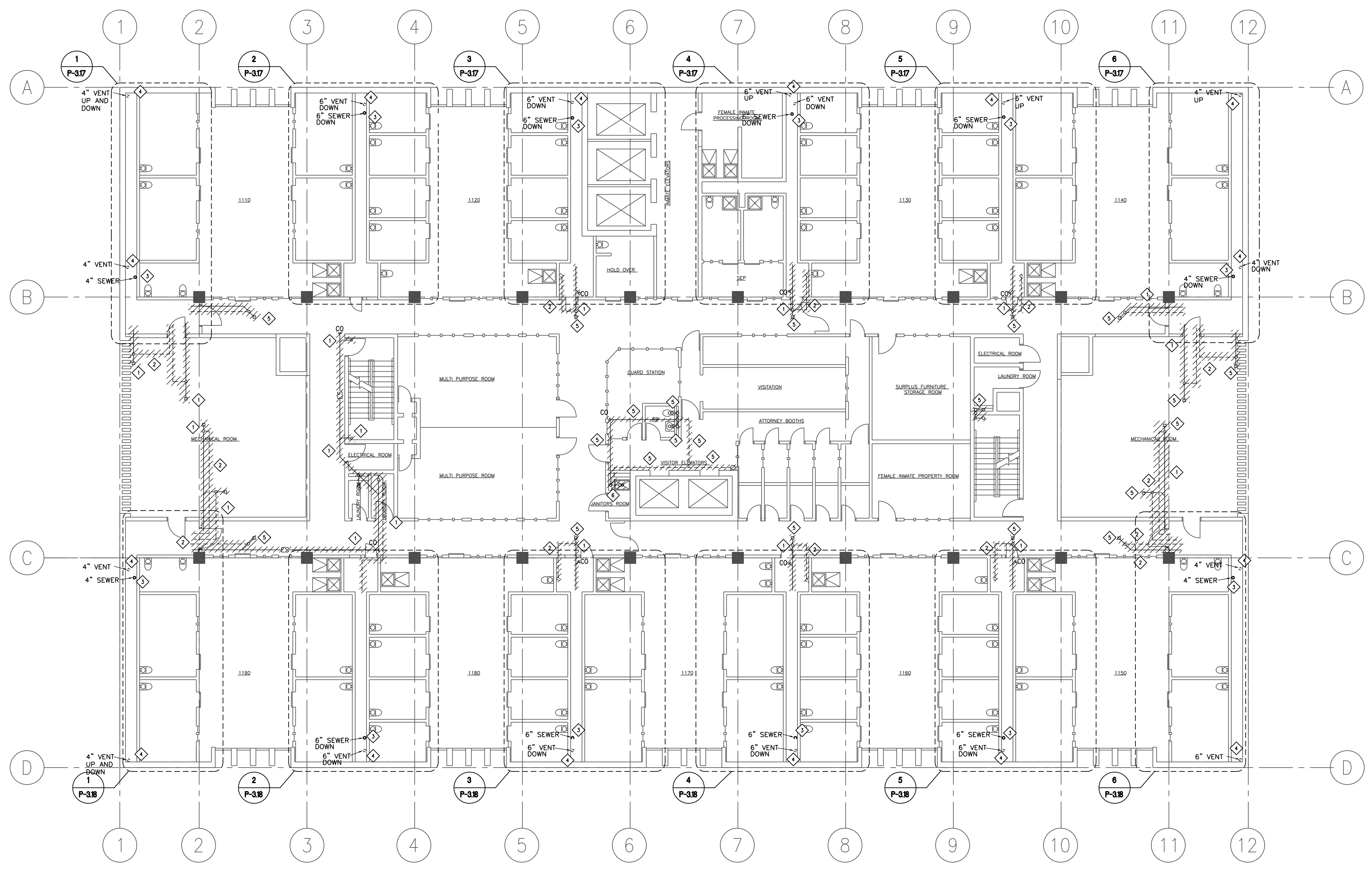
- 1 EXISTING SEWER FROM THE CORRIDOR FLOOR DRAIN IS TO BE REMOVED FROM THE FLOOR DRAIN CONNECTION TO THE ABOVE CEILING SEWER MAIN IN CHASE, REFER TO REMODEL DRAWINGS P-4.10 FOR FURTHER INFORMATION.
- 2 EXISTING VENT FROM THE CORRIDOR FLOOR DRAIN IS TO BE REMOVED FROM THE FLOOR DRAIN CONNECTION TO THE ABOVE CEILING VENT MAIN IN CHASE, REFER TO REMODEL DRAWINGS P-4.10 FOR FURTHER INFORMATION.
- 3 EXISTING SEWER MAIN RISER TO BE REMOVED AND REPLACED, REFER TO REMODEL DRAWINGS P-4.10 FOR FURTHER INFORMATION.
- 4 EXISTING VENT MAIN RISER TO BE REMOVED AND REPLACED, REFER TO REMODEL DRAWINGS P-4.10 FOR FURTHER INFORMATION.
- 5 EXISTING SEWER PIPING AND ASSOCIATED FITTINGS SERVING THE ASSOCIATED PLUMBING FIXTURE ARE TO BE REPLACED WITH NEW PIPING, REFER TO REMODEL DRAWINGS P-4.10 FOR FURTHER INFORMATION.

THIS DOCUMENT, WHETHER IN HARD COPY OR MACHINE READABLE FORMAT, IS COPYRIGHTED AND AN INSTRUMENT OF SERVICES IN RESPECT TO THE PROJECT FOR WHICH IT WAS PREPARED. THIS DOCUMENT IS NOT INTENDED OR AUTHORIZED FOR REUSE BY ANY PARTY ON EXTENSIONS OF SUCH PROJECT OR ANY OTHER PROJECT ANY REUSE, INCLUDING COPYING AND/OR MODIFYING THE DOCUMENT, WITHOUT WRITTEN PERMISSION FROM EMC ENGINEERS FOR THE SPECIFIC PURPOSE INTENDED IS A VIOLATION OF FEDERAL COPYRIGHT LAW. UNAUTHORIZED USE OF THIS MATERIAL MAY RESULT IN CIVIL AND/OR CRIMINAL PENALTIES.
 COPY RIGHT 2013 EMC ENGINEERS.

Project:	UPGRADE AND REPLACE THE SANITARY SEWER SYSTEM AT THE EL PASO COUNTY DETENTION FACILITY
Location:	601 E OVERLAND STREET EL PASO, TEXAS
Job Number:	ETC-2108022
Date:	11/23/2021
Scale:	A5 SHOWN
Sheet:	P-2.10
17 of:	X



THE SEAL APPEARING ON THIS DOCUMENT WAS AUTHORIZED BY MELVIN G. GLASS, P.E. #64935 OF EMC ENGINEERS (TEXAS FIRM #E-27491) ON JANUARY 28, 2022. ALTERATION OF A SEALED DOCUMENT WITHOUT PROPER NOTIFICATION TO THE RESPONSIBLE ENGINEER IS AN OFFENSE UNDER THE TEXAS ENGINEERING PRACTICE ACT.



DEMOLITION PLUMBING GENERAL NOTES:

- 1 THE INTENT OF THE DEMOLITION AND REPLACEMENT OF THE SEWER AND VENTING SYSTEMS FOR THE FACILITY. THIS FACILITY IS A 24/7 SECURED OPERATION FACILITY. SO THE CONTRACTOR SHALL COORDINATE ALL DEMOLITION AND REMODEL WORK WITH THE DETENTION PERSONNEL.
- 2 DEMOLITION SEWER AND VENT WORK SHOWN HATCHED. EXISTING WORK TO REMAIN IS UNHATCHED.

DEMOLITION PLUMBING KEYED NOTES:

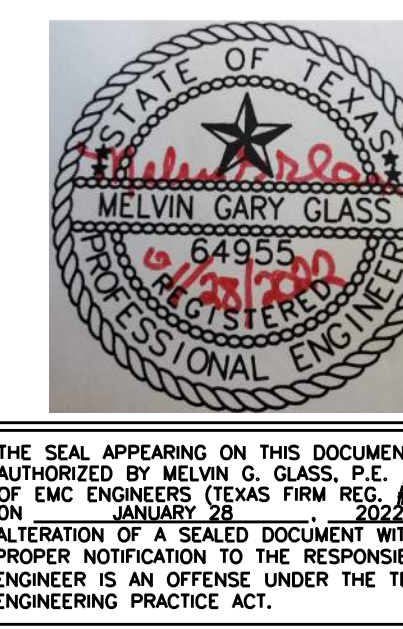
- 1 EXISTING SEWER FROM THE CORRIDOR FLOOR DRAIN IS TO BE REMOVED FROM THE FLOOR DRAIN CONNECTION TO THE ABOVE CEILING SEWER MAIN IN CHASE. REFER TO REMODEL DRAWINGS P-4.11 FOR FURTHER INFORMATION.
- 2 EXISTING VENT FROM THE CORRIDOR FLOOR DRAIN IS TO BE REMOVED FROM THE FLOOR DRAIN CONNECTION TO THE ABOVE CEILING VENT MAIN IN CHASE. REFER TO REMODEL DRAWINGS P-4.11 FOR FURTHER INFORMATION.
- 3 EXISTING SEWER MAIN RISER TO BE REMOVED AND REPLACED. REFER TO REMODEL DRAWINGS P-4.11 FOR FURTHER INFORMATION.
- 4 EXISTING VENT MAIN RISER TO BE REMOVED AND REPLACED. REFER TO REMODEL DRAWINGS P-4.11 FOR FURTHER INFORMATION.
- 5 EXISTING SEWER PIPING AND ASSOCIATED FITTINGS SERVING THE ASSOCIATED PLUMBING FIXTURE ARE TO BE REPLACED WITH NEW PIPING. REFER TO REMODEL DRAWINGS P-4.11 FOR FURTHER INFORMATION.
- 6 EXISTING MOP SERVICE BASIN TO HAVE EXISTING 2" SEWER CONNECTION TO DRAIN REMOVED AND IS TO BE REPLACED WITH NEW 3" SEWER CONNECTION TO RECONNECT TO EXISTING DRAIN CONNECTION. REFER TO REMODEL DRAWING P-4.11 AND SCHEMATIC 14/P-01 FOR FURTHER INFORMATION.

EXISTING ELEVENTH FLOOR PLUMBING SEWER WASTE AND VENT PIPING DEMOLITION FLOOR PLAN
 1 P-2.11 SCALE: 1/8" = 1'-0"
 8 6 4 2 0 4 8 12 16

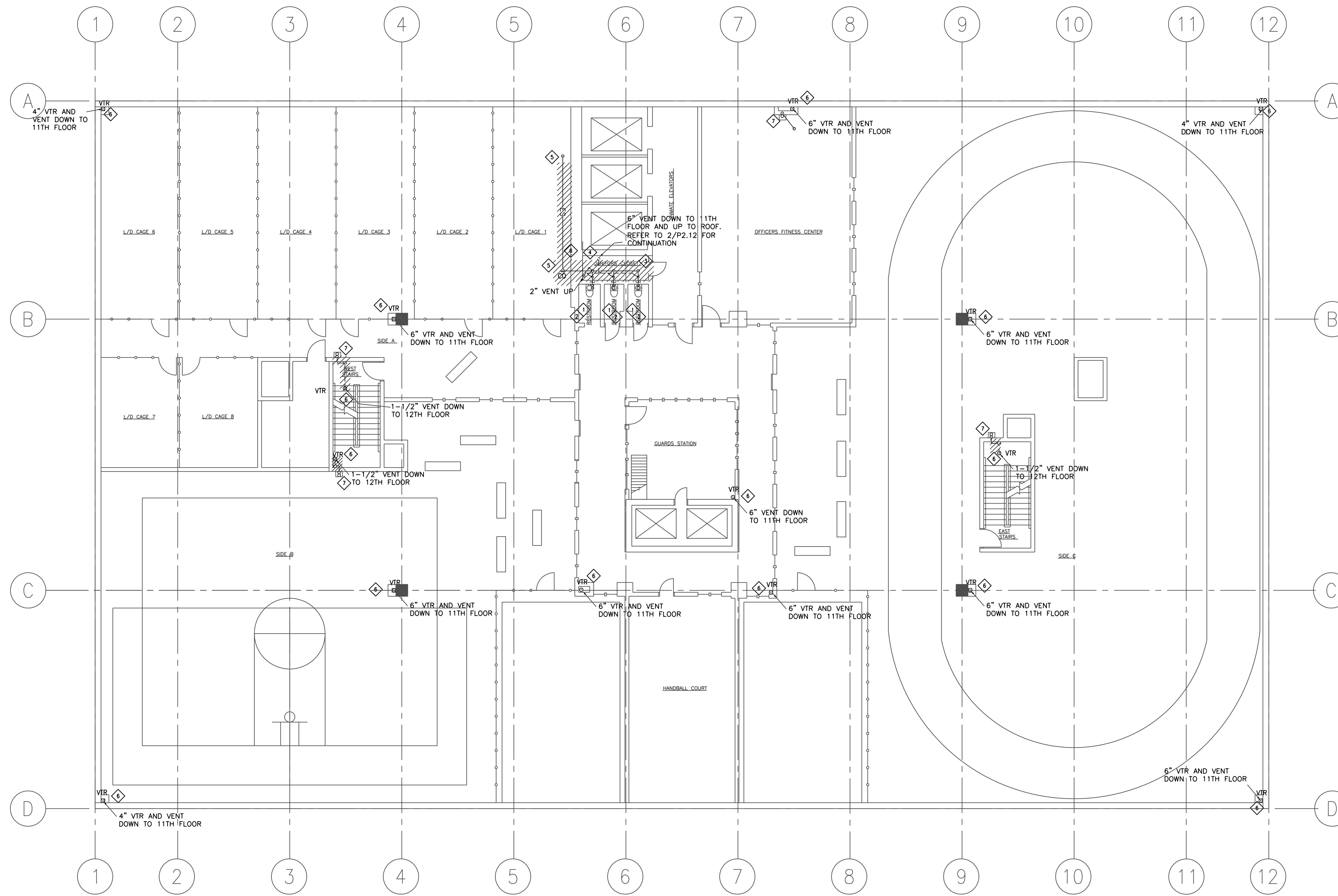
THIS DOCUMENT, WHETHER IN HARD COPY OR MACHINE READABLE FORMAT, IS COPYRIGHTED AND AN INSTRUMENT OF SERVICES IN RESPECT TO THE PROJECT FOR WHICH IT WAS PREPARED. THIS DOCUMENT IS NOT INTENDED OR AUTHORIZED FOR REUSE BY ANY PARTY ON EXTENSIONS OF SUCH PROJECT OR ANY OTHER PROJECT. ANY REUSE, INCLUDING COPYING AND/OR MODIFYING THE DOCUMENT, WITHOUT WRITTEN PERMISSION FROM EMC ENGINEERS FOR THE SPECIFIC PURPOSE INTENDED IS A VIOLATION OF FEDERAL COPYRIGHT LAW. UNAUTHORIZED USE OF THIS MATERIAL MAY RESULT IN CIVIL AND/OR CRIMINAL PENALTIES.
 COPY RIGHT 2013 EMC ENGINEERS.

Project:	UPGRADE AND REPLACE THE SANITARY SEWER SYSTEM AT THE EL PASO COUNTY DETENTION FACILITY
Location:	601 E OVERLAND STREET EL PASO, TEXAS
Job Number:	ETC-2108022
Date:	11/23/2021
Scale:	AS SHOWN
Sheet:	P-2.11
18 of:	X

EMC ENGINEERS
 2311 E. BUSINESS AVENUE SUITE 100
 EL PASO, TEXAS 79901
 TEL: 915-781-2030
 TEXAS FIRM #E-27491
 EMC PROJECT #1708022



THE SEAL APPEARING ON THIS DOCUMENT WAS AUTHORIZED BY MELVIN G. GLASS, P.E. #64955 OF EMC ENGINEERS (TEXAS FIRM REG. #24941) ON JANUARY 28, 2022. ALTERATION OF A SEALED DOCUMENT WITHOUT PROPER NOTIFICATION TO THE RESPONSIBLE ENGINEER IS AN OFFENSE UNDER THE TEXAS ENGINEERING PRACTICE ACT.



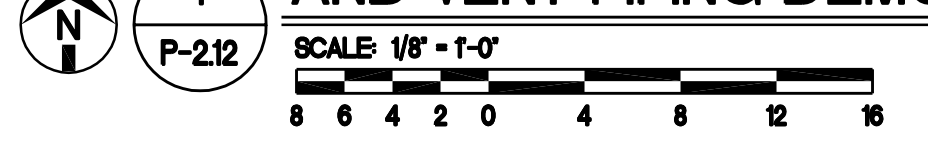
DEMOLITION PLUMBING GENERAL NOTES:

- 1 THE INTENT OF THE DEMOLITION AND REPLACEMENT OF THE SEWER AND VENTING SYSTEMS FOR THE FACILITY IS A 24/7 SECURED OPERATION FACILITY, SO THE CONTRACTOR SHALL COORDINATE ALL DEMOLITION AND REMODEL WORK WITH THE DETENTION PERSONNEL.
- 2 DEMOLITION SEWER AND VENT WORK SHOWN HATCHED, EXISTING WORK TO REMAIN IS UNHATCHED.

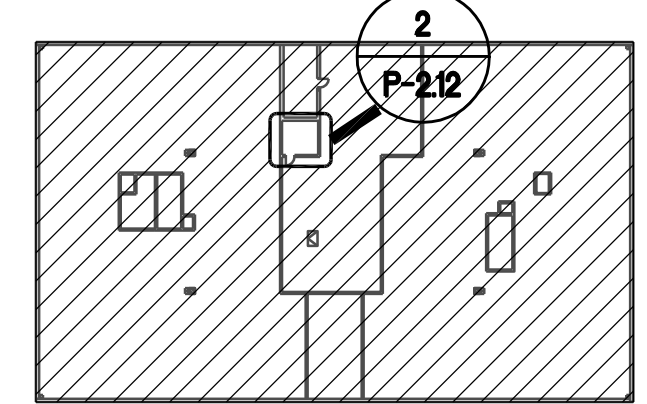
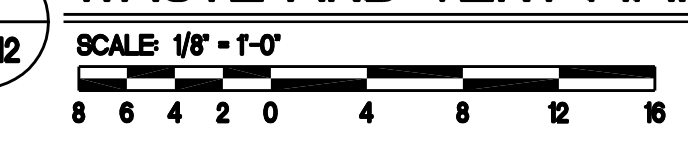
DEMOLITION PLUMBING KEYED NOTES:

- 1 EXISTING SEWER FROM THE CELL WATERCLOSET/SINK COMBO IS TO BE REMOVED FROM THE FIXTURE CONNECTION TO THE FLOOR PENETRATION, REFER TO REMODEL DRAWINGS P-4.12 FOR FURTHER INFORMATION.
- 2 EXISTING VENT FROM THE CELL WATERCLOSET/SINK COMBO IS TO BE REMOVED FROM THE FIXTURE CONNECTION TO THE ABOVE CEILING VENT MAIN IN CHASE, REFER TO REMODEL DRAWINGS P-4.12 FOR FURTHER INFORMATION.
- 3 EXISTING VENT PIPING IN CHASE TO BE REMOVED AND REPLACED REFER TO REMODEL DRAWINGS P-4.12 FOR FURTHER INFORMATION.
- 4 EXISTING SEWER PIPING IN CHASE BE REMOVED AND REPLACED, REFER TO REMODEL DRAWINGS P-4.12 FOR FURTHER INFORMATION.
- 5 EXISTING SEWER MAIN RISER TO BE REMOVED AND REPLACED, REFER TO REMODEL DRAWINGS P-4.12 FOR FURTHER INFORMATION.
- 6 EXISTING VENT MAIN RISER AND VTR TO BE REMOVED AND REPLACED, REFER TO REMODEL DRAWINGS P-4.12 FOR FURTHER INFORMATION.
- 7 EXISTING SEWER PIPING AND ASSOCIATED FITTINGS SERVING THE ASSOCIATED PLUMBING FIXTURE ARE TO BE REPLACED WITH NEW PIPING, REFER TO REMODEL DRAWINGS P-4.12 FOR FURTHER INFORMATION.

EXISTING TWELFTH FLOOR PLUMBING SEWER WASTE AND VENT PIPING DEMOLITION FLOOR PLAN



ENLARGED PARTIAL EXISTING ROOF PLUMBING SEWER WASTE AND VENT PIPING DEMOLITION FLOOR PLAN



ROOF KEY PLAN

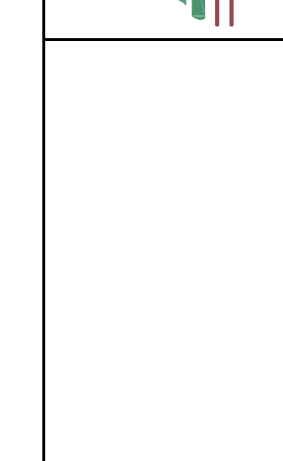
THIS DOCUMENT, WHETHER IN HARD COPY OR MACHINE READABLE FORMAT, IS COPYRIGHTED AND AN INSTRUMENT OF SERVICES IN RESPECT TO THE PROJECT FOR WHICH IT WAS PREPARED. THIS DOCUMENT IS NOT INTENDED OR AUTHORIZED FOR REUSE BY ANY PARTY ON EXTENSIONS OF SUCH PROJECT OR ANY OTHER PROJECT ANY REUSE, INCLUDING COPYING AND/OR MODIFYING THE DOCUMENT, WITHOUT WRITTEN PERMISSION FROM EMC ENGINEERS FOR THE SPECIFIC PURPOSE INTENDED IS A VIOLATION OF FEDERAL COPYRIGHT LAW. UNAUTHORIZED USE OF THIS MATERIAL MAY RESULT IN CIVIL AND/OR CRIMINAL PENALTIES.

COPY RIGHT 2013 EMC ENGINEERS.

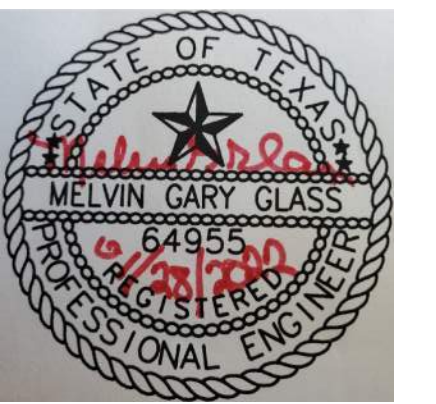
Project:	UPGRADE AND REPLACE THE SANITARY SEWER SYSTEM AT THE EL PASO COUNTY DETENTION FACILITY
Location:	601 E OVERLAND STREET EL PASO, TEXAS
Job Number:	ETC-2108022
Date:	11/23/2021
Scale:	AS SHOWN
Sheet:	P-2.12
19 of:	X

Rev.#	Date	Description

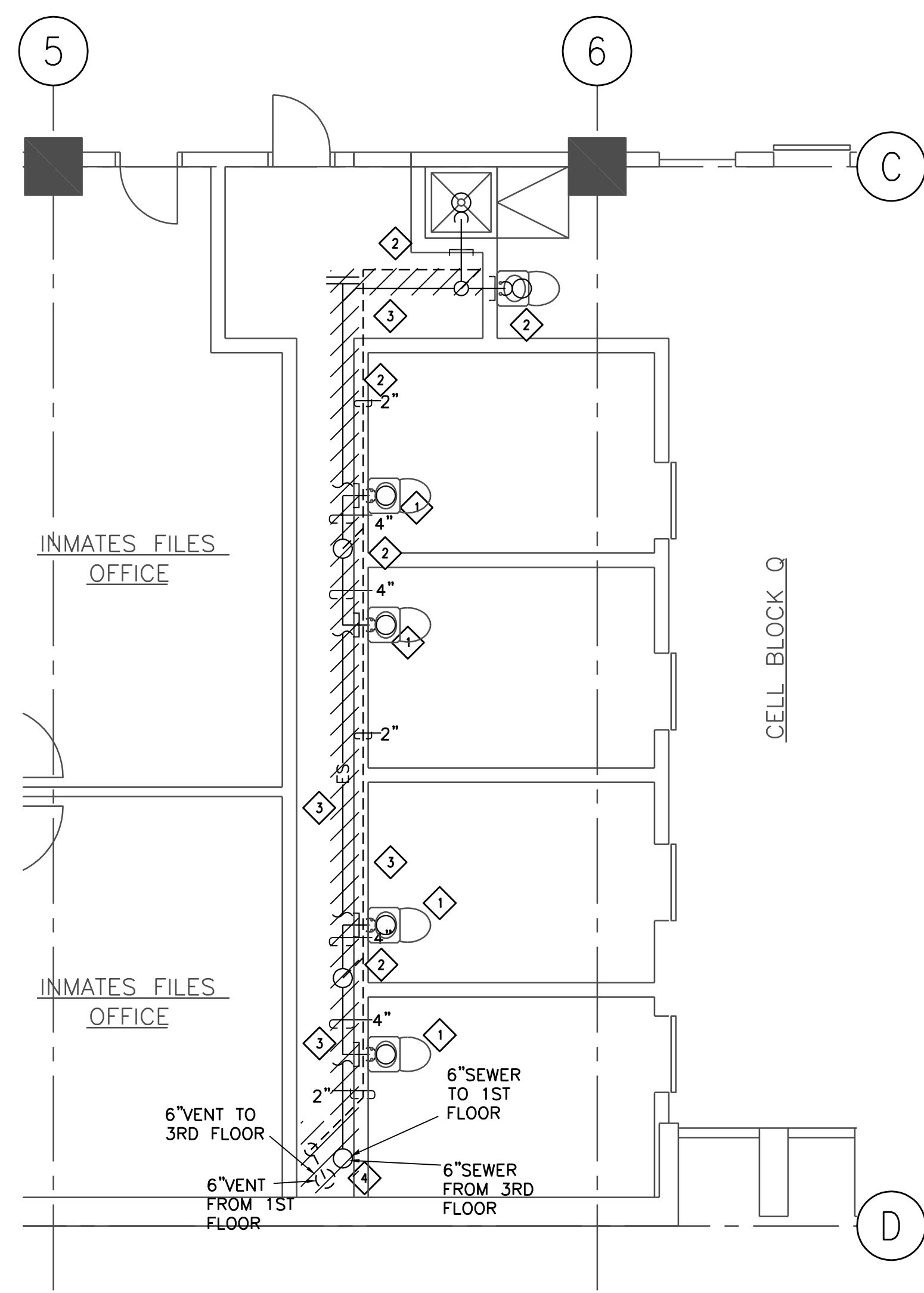
DESIGNED BY: ETC
 DRAWN BY: ETC
 CHECKED BY: ETC



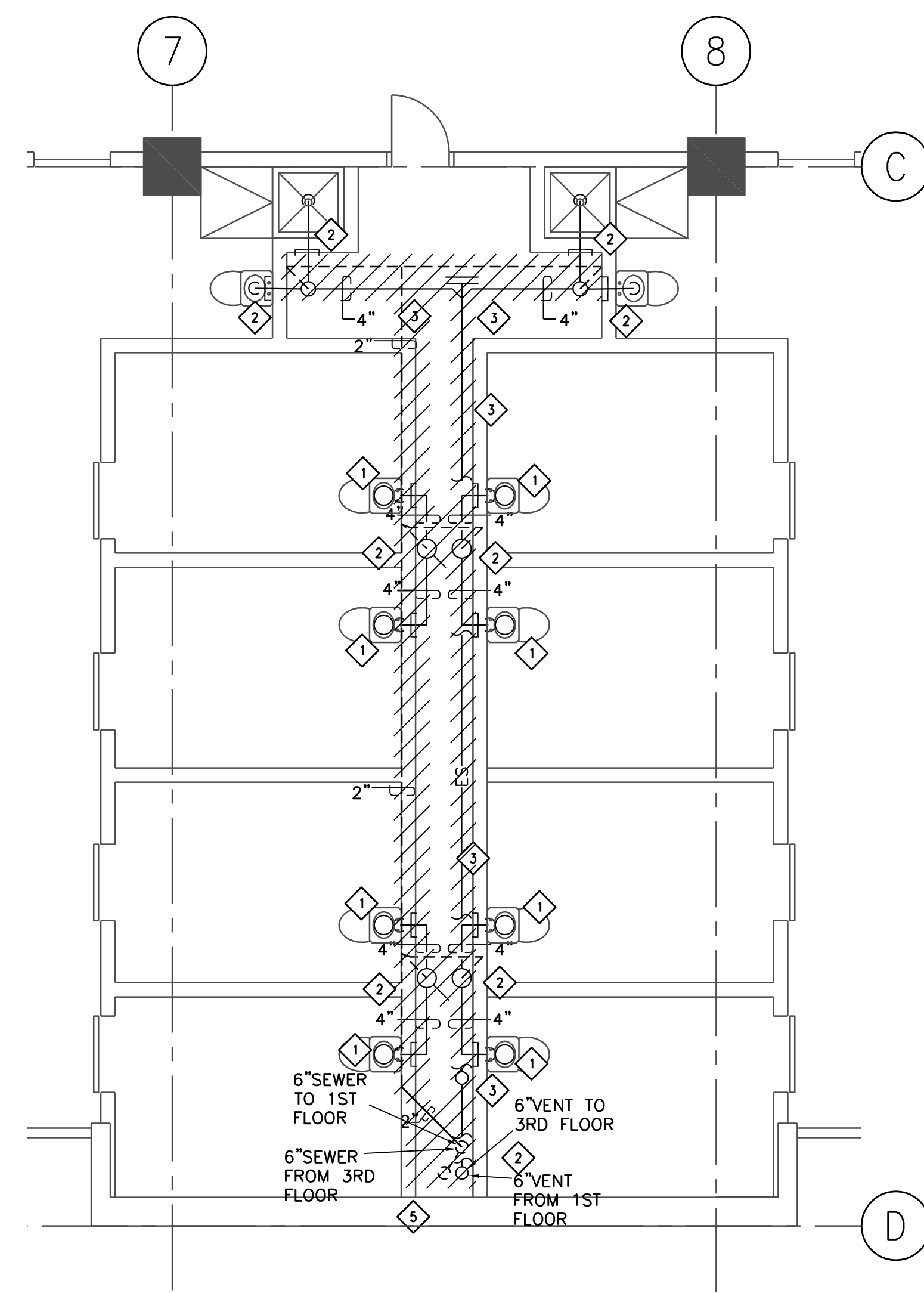
EMC ENGINEERS
 2311 E. OVERLAND AVE. SUITE 200
 EL PASO, TEXAS 79901
 TEL: 915-781-2030
 TEXAS FIRM REG. #24941
 EMC PROJECT #1108022



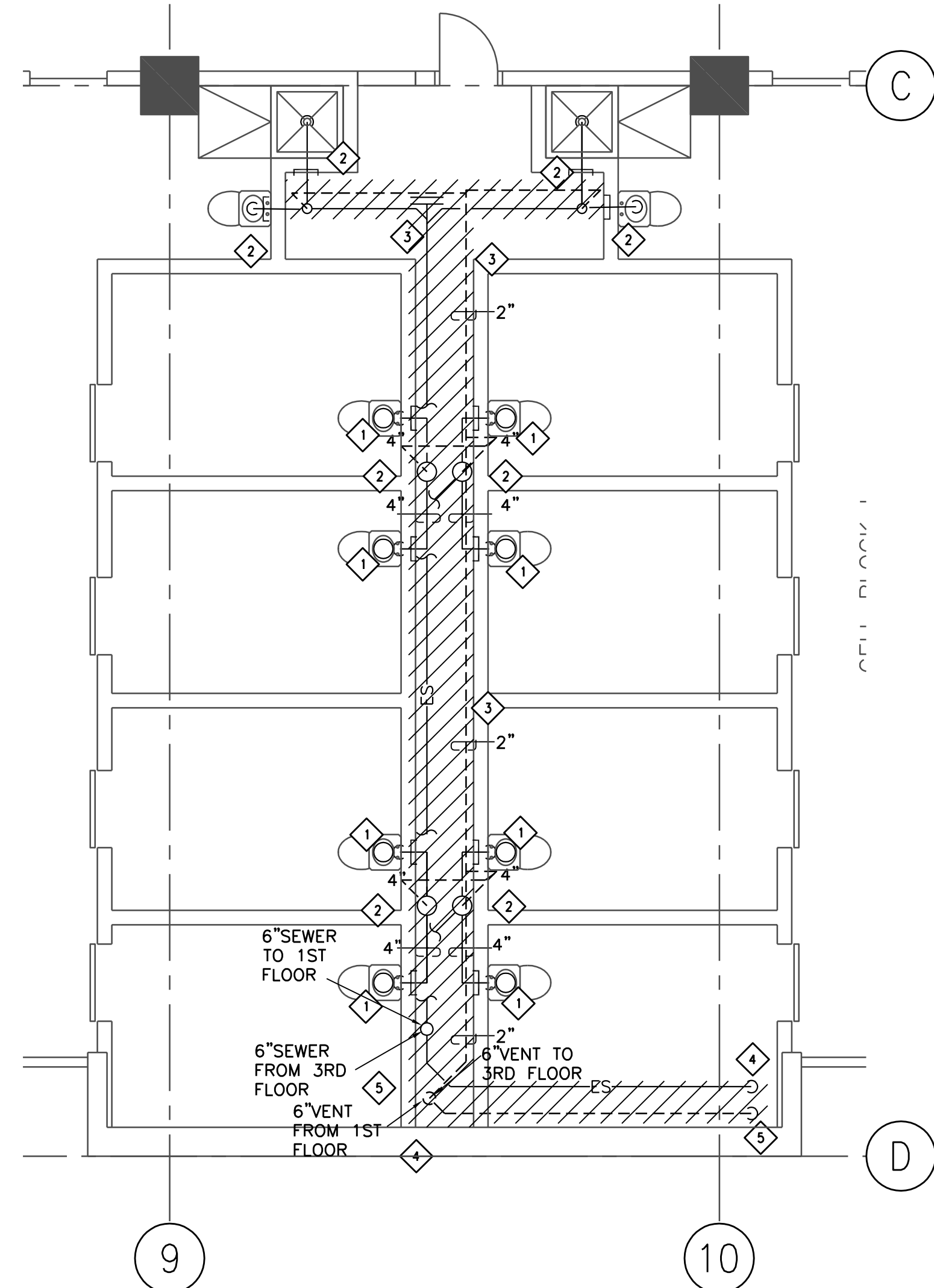
THE SEAL APPEARING ON THIS DOCUMENT WAS AUTHORIZED BY MELVIN G. GLASS, P.E. #64935 OF EMC ENGINEERS (TEXAS FIRM #E-27491) ON JANUARY 28, 2022. ALTERATION OF A SEALED DOCUMENT WITHOUT PROPER NOTIFICATION TO THE RESPONSIBLE ENGINEER IS AN OFFENSE UNDER THE TEXAS ENGINEERING PRACTICE ACT.



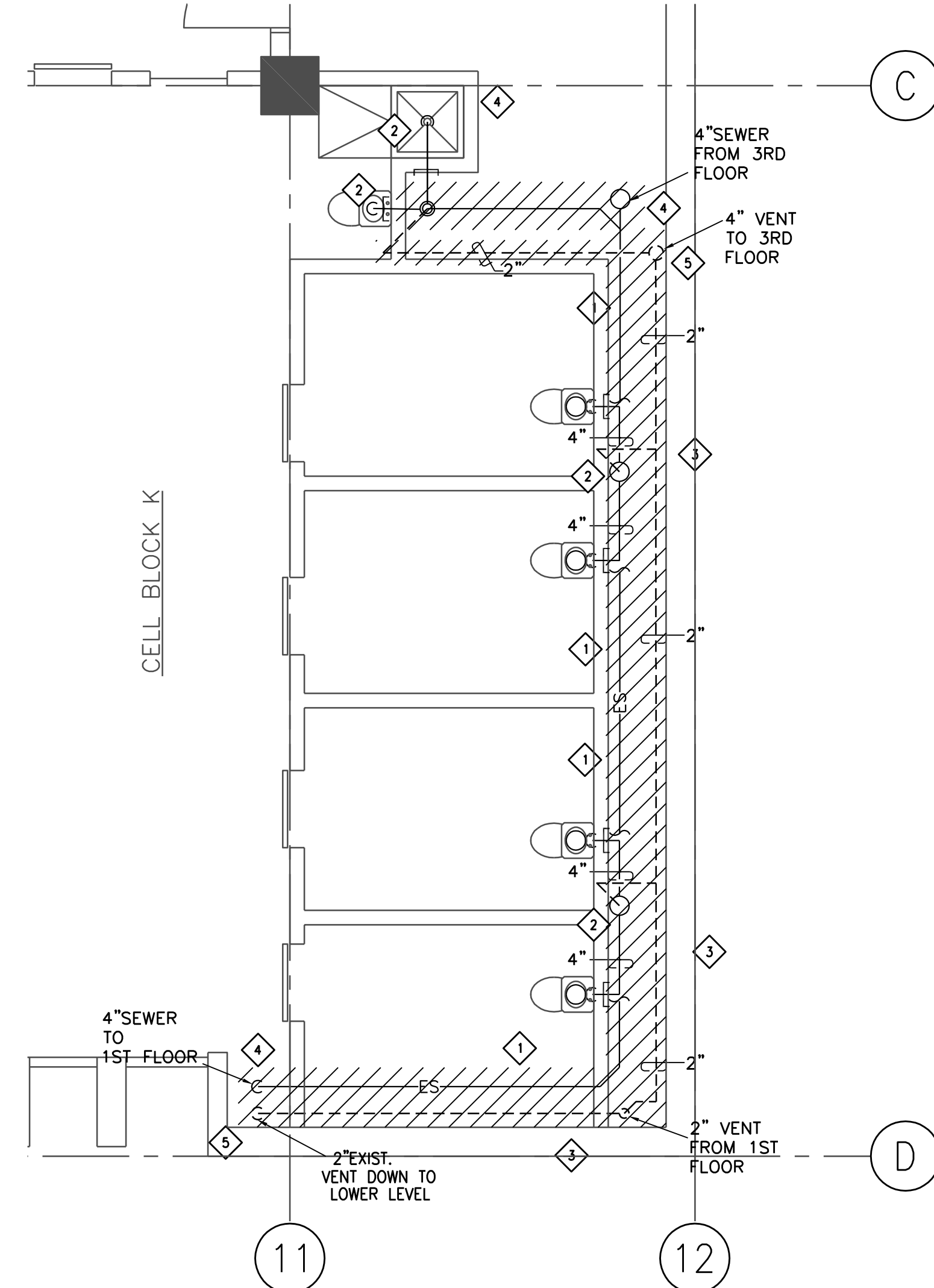
1
SECOND FLOOR ENLARGED DEMOLITION PLUMBING SEWER WASTE AND VENT PIPING FLOOR PLAN
 SCALE 1/4" = 1'-0"
 REFER TO REMODEL PLAN 1/P-500



2
SECOND FLOOR ENLARGED DEMOLITION PLUMBING SEWER WASTE AND VENT PIPING FLOOR PLAN
 SCALE 1/4" = 1'-0"
 REFER TO REMODEL PLAN 2/P-501



3
SECOND FLOOR ENLARGED DEMOLITION PLUMBING SEWER WASTE AND VENT PIPING FLOOR PLAN
 SCALE 1/4" = 1'-0"
 REFER TO REMODEL PLAN 1/P-502



4
SECOND FLOOR ENLARGED DEMOLITION PLUMBING SEWER WASTE AND VENT PIPING FLOOR PLAN
 SCALE 1/4" = 1'-0"
 REFER TO REMODEL PLAN 2/P-502

DEMOLITION PLUMBING GENERAL NOTES:

- 1 THE INTENT OF THE DEMOLITION AND REPLACEMENT OF THE SEWER AND VENTING SYSTEMS FOR THE FACILITY. THIS FACILITY IS A 24/7 SECURED OPERATION FACILITY. SO THE CONTRACTOR SHALL COORDINATE ALL DEMOLITION AND REMODEL WORK WITH THE DETENTION PERSONNEL.
- 2 DEMOLITION SEWER AND VENT WORK SHOWN HATCHED, EXISTING WORK TO REMAIN IS UNHATCHED.
- 3 SOME PLUMBING CHASES CONTAIN MECHANICAL DUCTWORK, THE CONTRACTOR SHALL COORDINATE THE REMOVAL OF EXISTING SEWER AND VENT PIPING WITH THIS DUCTWORK.

DEMOLITION PLUMBING KEYED NOTES:

- 1 EXISTING SEWER FROM THE CELL WATERCLOSET/SINK COMBO IS TO BE REMOVED FROM THE FIXTURE CONNECTION TO THE FLOOR PENETRATION, REFER TO REMODEL DRAWINGS P-5.xx AS NOTED ON PLAN FOR FURTHER INFORMATION.
- 2 EXISTING VENT PIPING IN CHASE TO BE REMOVED AND REPLACED REFER TO REMODEL DRAWINGS P-5.xx AS NOTED ON PLAN FOR FURTHER INFORMATION.
- 3 EXISTING SEWER PIPING IN CHASE BE REMOVED AND REPLACED, REFER TO REMODEL DRAWINGS P-5.xx AS NOTED ON PLAN FOR FURTHER INFORMATION.
- 4 EXISTING SEWER MAIN RISER TO BE REMOVED AND REPLACED, REFER TO REMODEL DRAWINGS P-5.xx AS NOTED ON PLAN FOR FURTHER INFORMATION.
- 5 EXISTING VENT MAIN RISER TO BE REMOVED AND REPLACED, REFER TO REMODEL DRAWINGS P-5.xx AS NOTED ON PLAN FOR FURTHER INFORMATION.

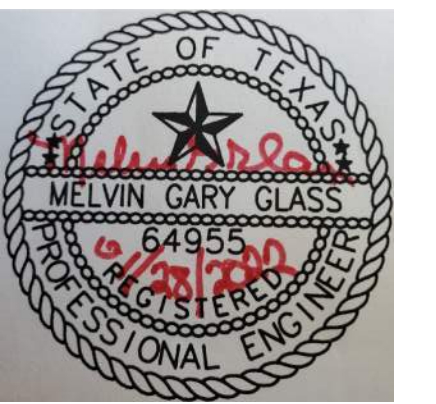
THIS DOCUMENT, WHETHER IN HARD COPY OR MACHINE READABLE FORMAT, IS COPYRIGHTED AND AN INSTRUMENT OF SERVICES IN RESPECT TO THE PROJECT FOR WHICH IT WAS PREPARED. THIS DOCUMENT IS NOT INTENDED OR AUTHORIZED FOR REUSE BY ANY PARTY ON EXTENSIONS OF SUCH PROJECT OR ANY OTHER PROJECT. ANY REUSE, INCLUDING COPYING AND/OR MODIFYING THE DOCUMENT, WITHOUT WRITTEN PERMISSION FROM EMC ENGINEERS FOR THE SPECIFIC PURPOSE INTENDED IS A VIOLATION OF FEDERAL COPYRIGHT LAW. UNAUTHORIZED USE OF THIS MATERIAL MAY RESULT IN CIVIL AND/OR CRIMINAL PENALTIES.
 COPY RIGHT 2013 EMC ENGINEERS.

Project:	UPGRADE AND REPLACE THE SANITARY SEWER SYSTEM AT THE EL PASO COUNTY DETENTION FACILITY
Location:	601 E OVERLAND STREET EL PASO, TEXAS
Job Number:	ETC-2108022
Date:	11/23/2021
Scale:	AS SHOWN
Sheet:	P-3.00
20 of:	X



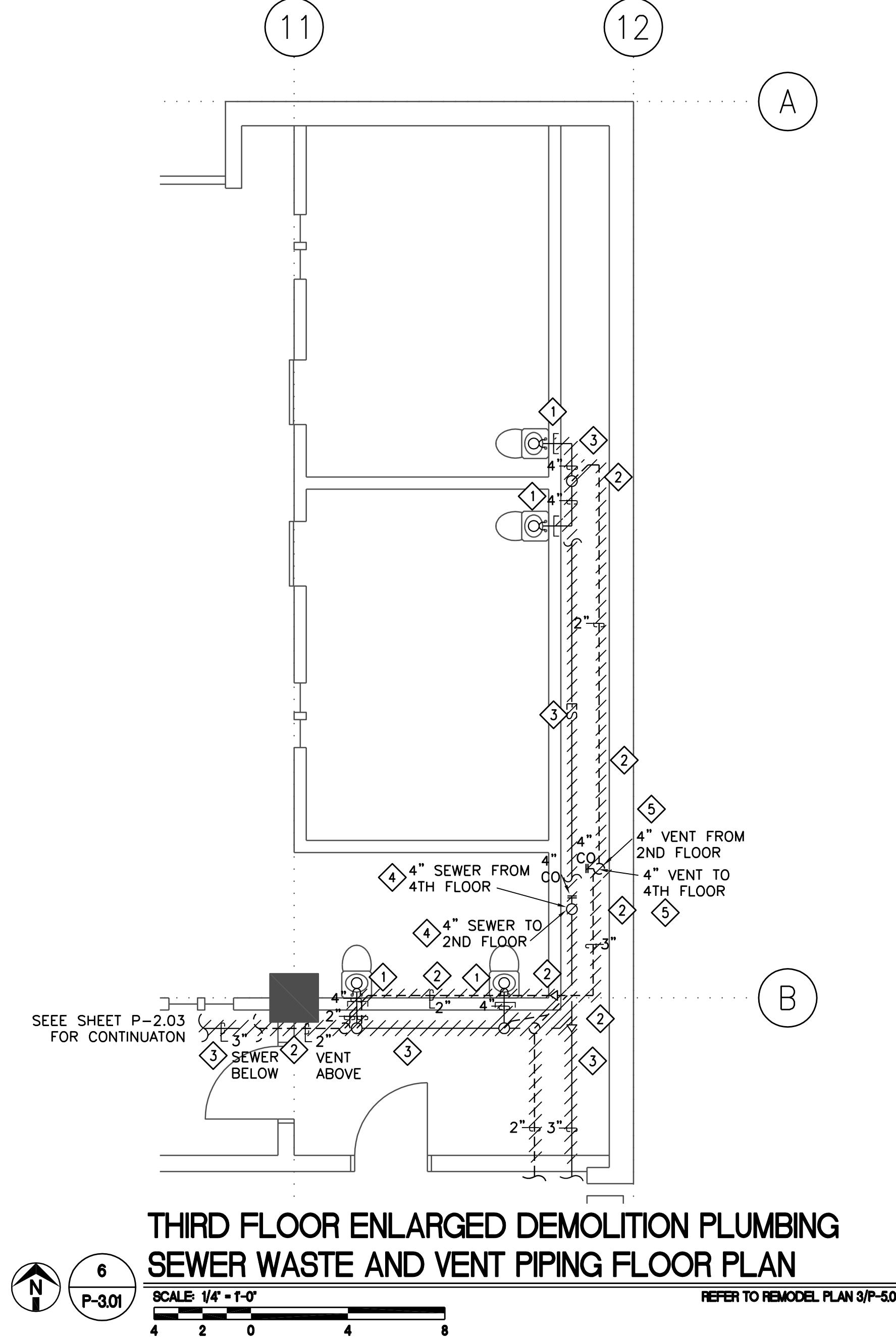
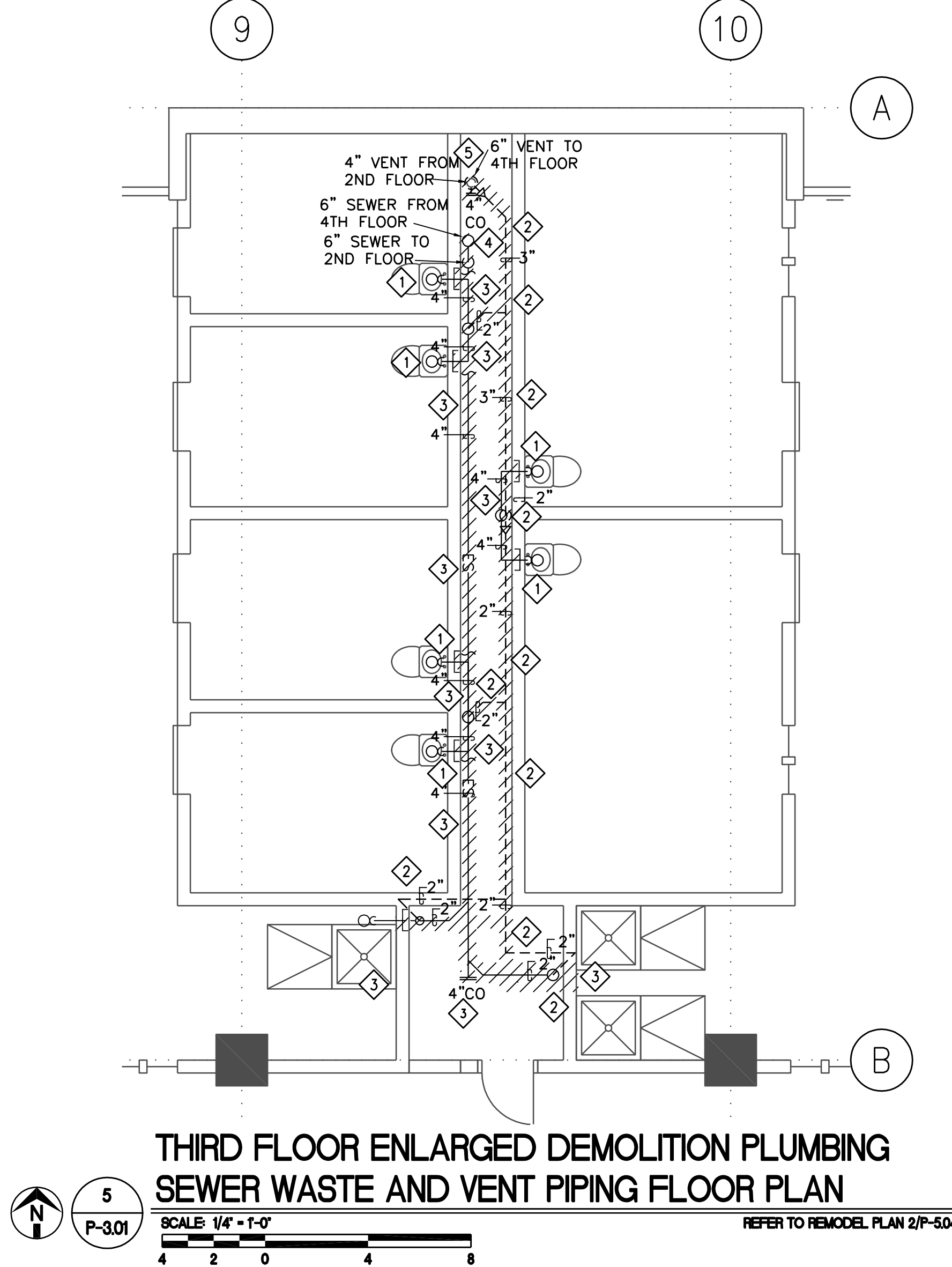
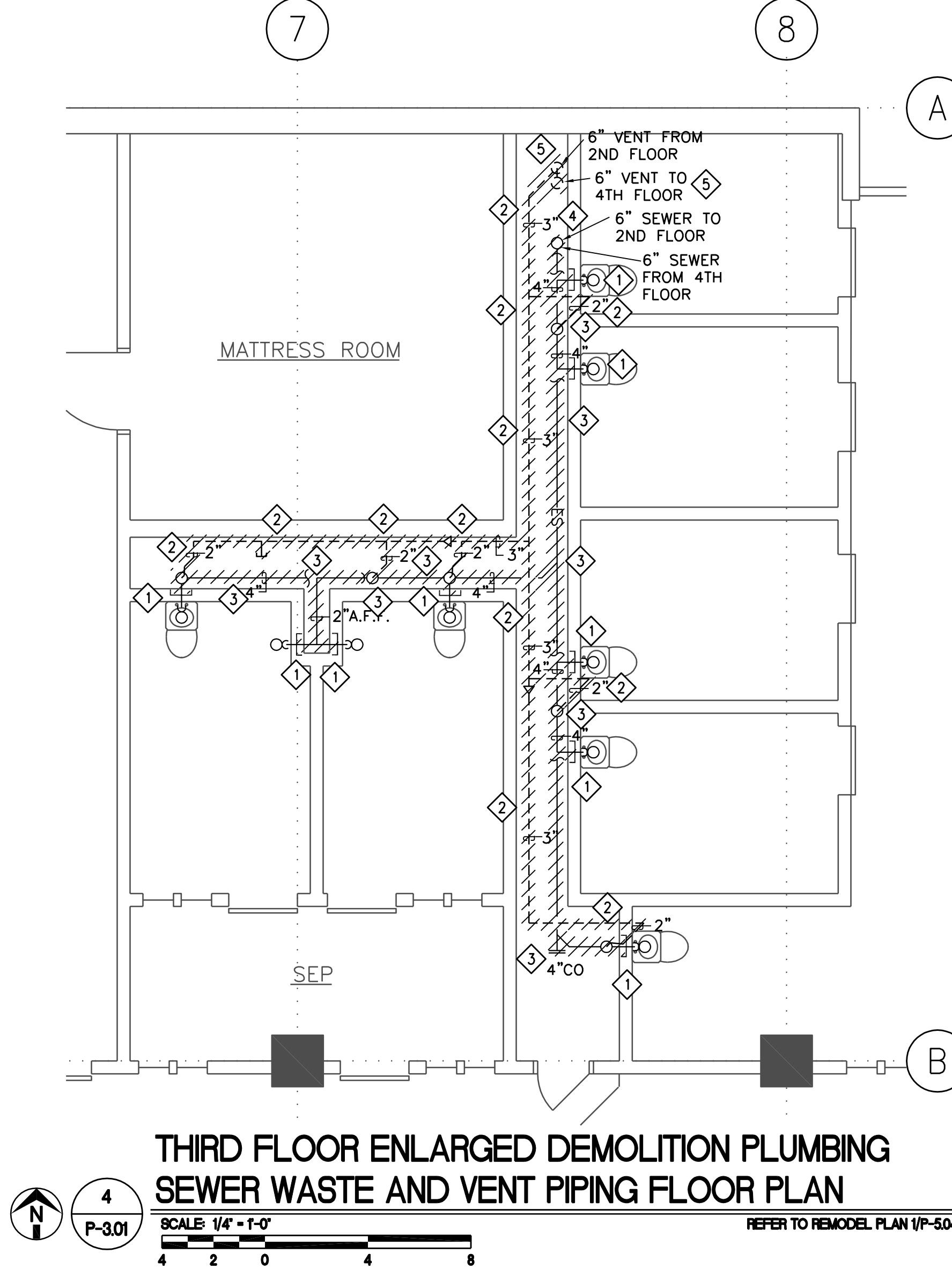
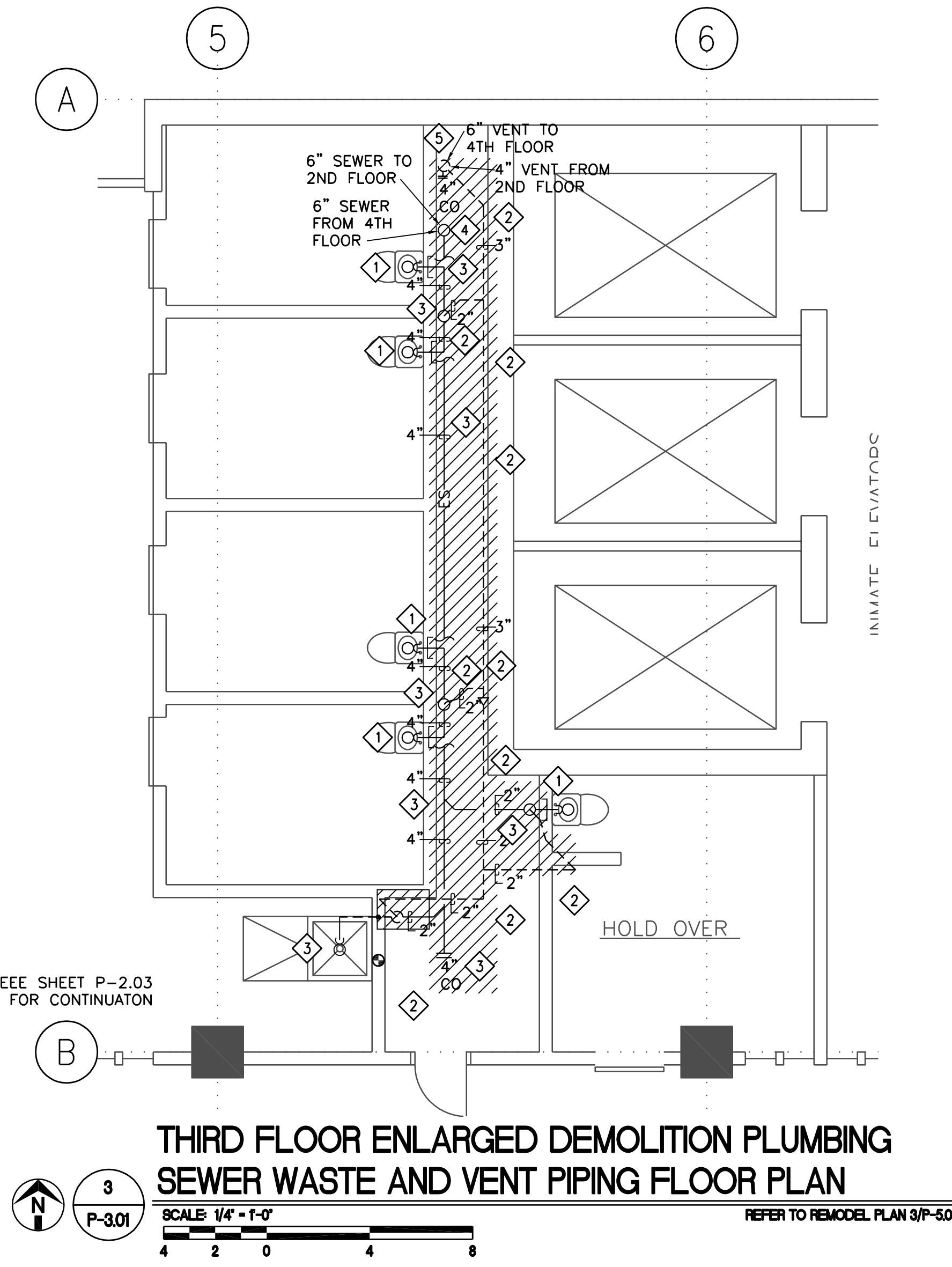
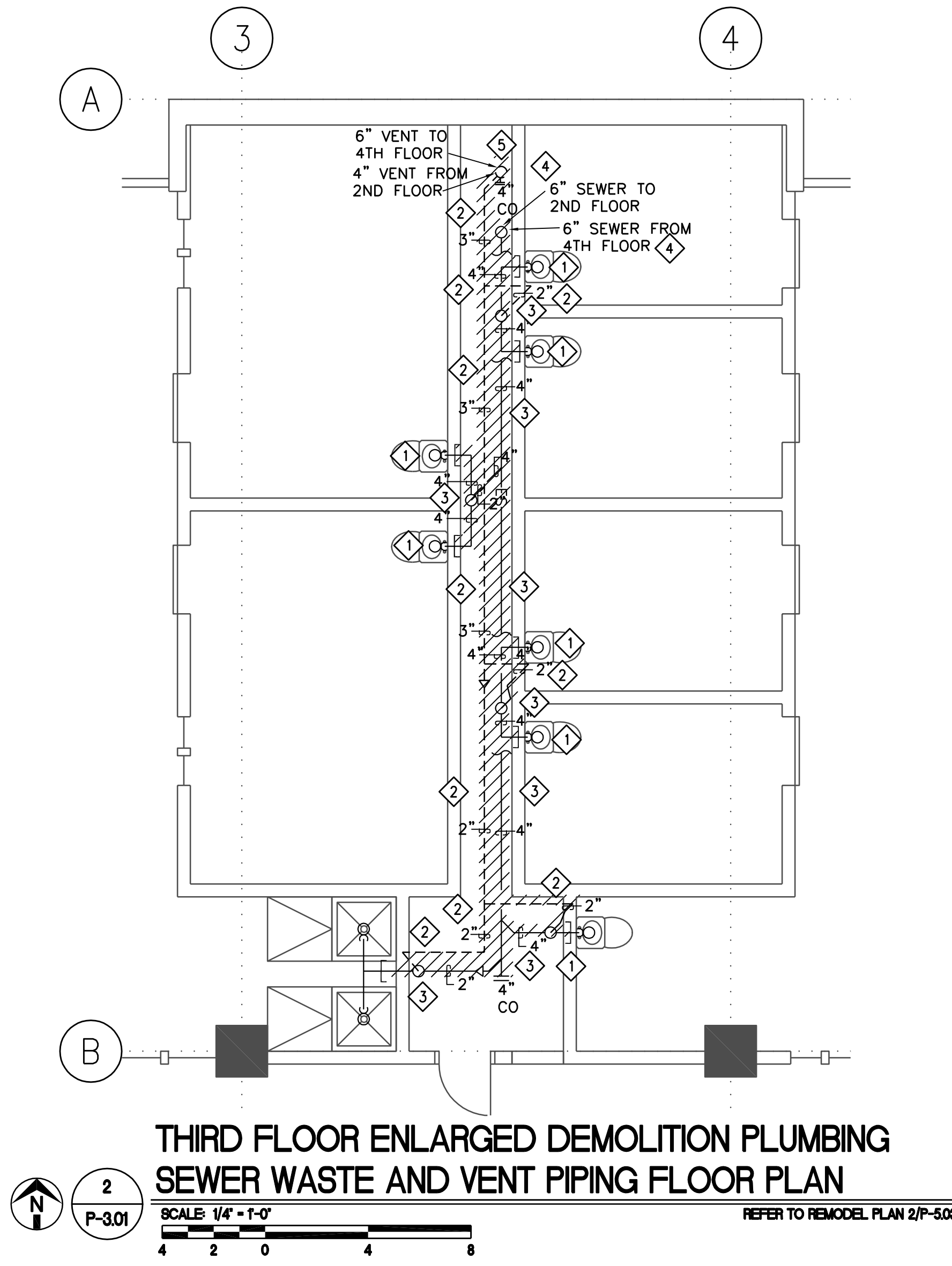
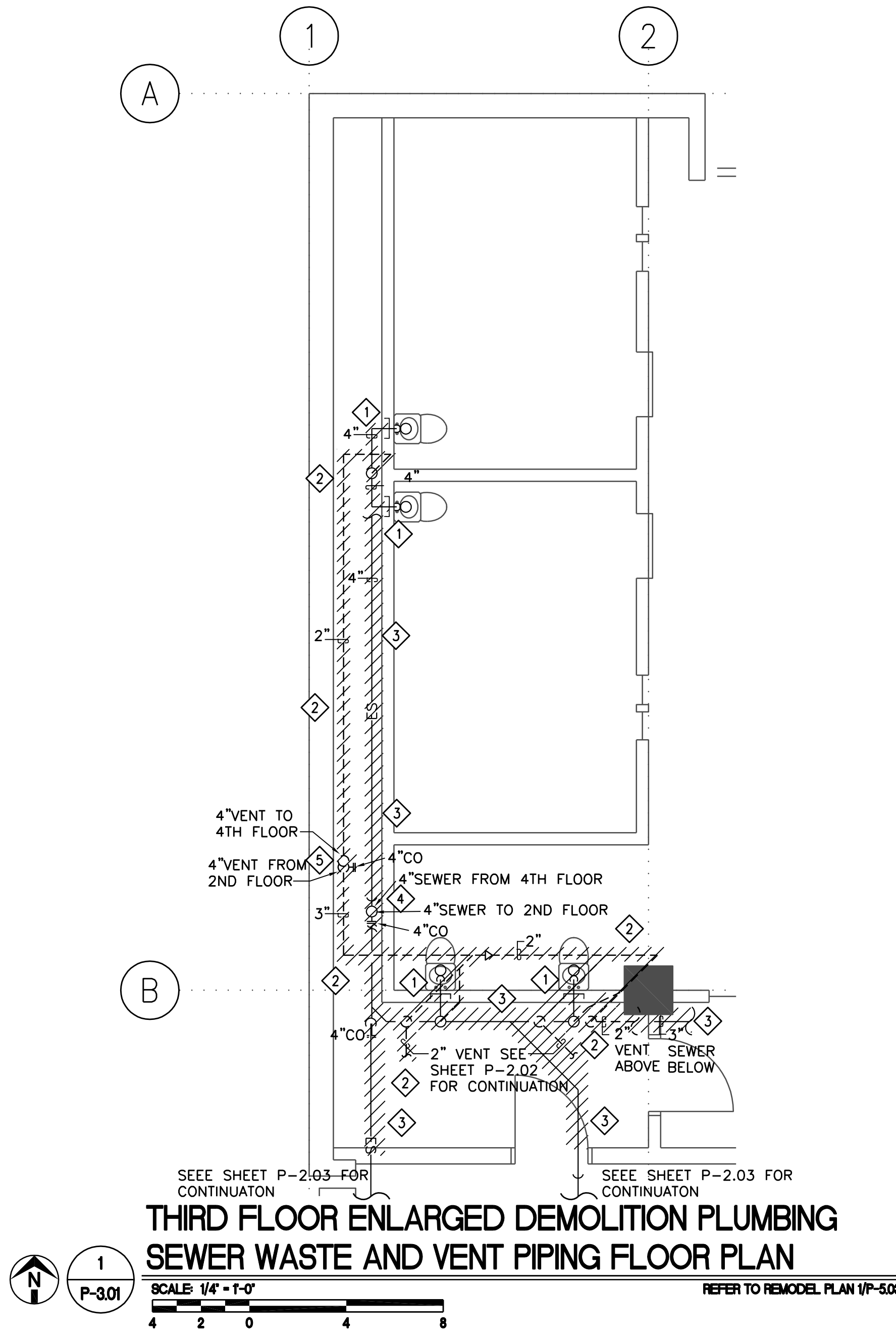
EMC ENGINEERS
 2311 E. BUSINESS AVENUE, SUITE 300
 EL PASO, TEXAS 79901
 TEL: 915-781-2030
 FAX: 915-781-2035
 TEXAS FIRM #E-27491
 EMC PROJECT #2108022

Rev.#	Date	Initial	Description
1		ETC	DESIGNED BY
2		ETC	DRAWN BY
3		ETC	CHECKED BY



THE SEAL APPEARING ON THIS DOCUMENT WAS AUTHORIZED BY MELVIN G. GLASS, P.E. #64935 OF EMC ENGINEERS (TEXAS FIRM REG. #24991) ON JANUARY 28, 2022. ALTERATION OF A SEALED DOCUMENT WITHOUT PROPER NOTIFICATION TO THE RESPONSIBLE ENGINEER IS AN OFFENSE UNDER THE TEXAS ENGINEERING PRACTICE ACT.

Project:	UPGRADE AND REPLACE THE SANITARY SEWER SYSTEM AT THE EL PASO COUNTY DETENTION FACILITY
Location:	601 E OVERLAND STREET EL PASO, TEXAS
Job Number:	ETC-2108022
Date:	11/23/2021
Scale:	AS SHOWN
Sheet:	P-3.01
21 of:	X



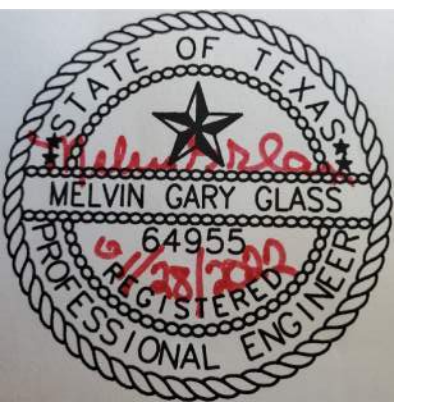
DEMOLITION PLUMBING GENERAL NOTES:

- 1 THE INTENT OF THE DEMOLITION AND REPLACEMENT OF THE SEWER AND VENTING SYSTEMS FOR THE FACILITY. THIS FACILITY IS A 24/7 SECURED OPERATION FACILITY. SO THE CONTRACTOR SHALL COORDINATE ALL DEMOLITION AND REMODEL WORK WITH THE DETENTION PERSONNEL.
- 2 DEMOLITION SEWER AND VENT WORK SHOWN HATCHED, EXISTING WORK TO REMAIN IS UNHATCHED.
- 3 SOME PLUMBING CHASES CONTAIN MECHANICAL DUCTWORK, THE CONTRACTOR SHALL COORDINATE THE REMOVAL OF EXISTING SEWER AND VENT PIPING WITH THIS DUCTWORK.

DEMOLITION PLUMBING KEYED NOTES:

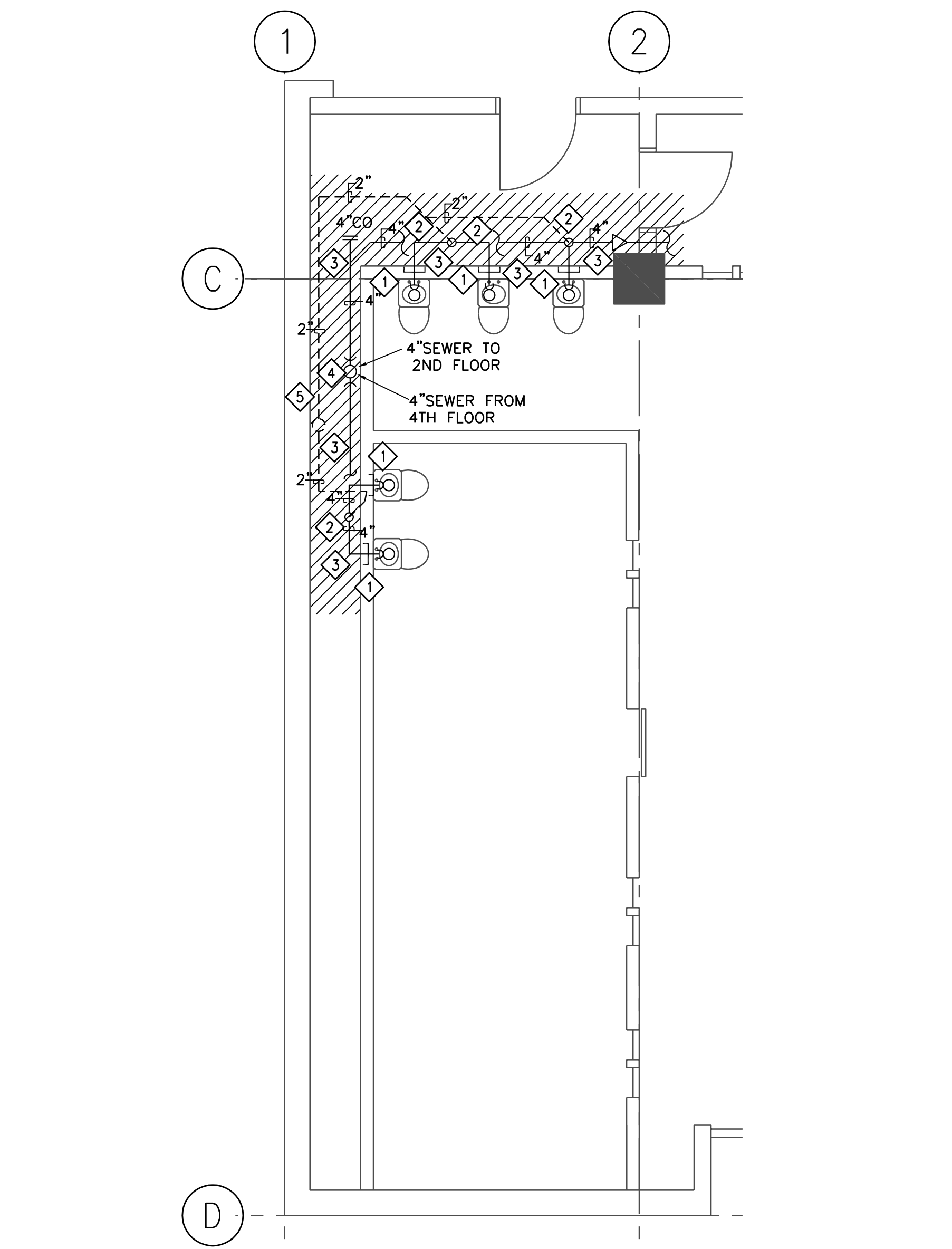
- 1 EXISTING SEWER FROM THE CELL WATERCLOSET/SINK COMBO IS TO BE REMOVED FROM THE FIXTURE CONNECTION TO THE FLOOR PENETRATION, REFER TO REMODEL DRAWINGS P-5.XX AS NOTED ON PLAN FOR FURTHER INFORMATION.
- 2 EXISTING VENT PIPING IN CHASE TO BE REMOVED AND REPLACED REFER TO REMODEL DRAWINGS P-5.XX AS NOTED ON PLAN FOR FURTHER INFORMATION.
- 3 EXISTING SEWER PIPING IN CHASE BE REMOVED AND REPLACED, REFER TO REMODEL DRAWINGS P-5.XX AS NOTED ON PLAN FOR FURTHER INFORMATION.
- 4 EXISTING SEWER MAIN RISER TO BE REMOVED AND REPLACED, REFER TO REMODEL DRAWINGS P-5.XX AS NOTED ON PLAN FOR FURTHER INFORMATION.
- 5 EXISTING VENT MAIN RISER TO BE REMOVED AND REPLACED, REFER TO REMODEL DRAWINGS P-5.XX AS NOTED ON PLAN FOR FURTHER INFORMATION.

THIS DOCUMENT, WHETHER IN HARD COPY OR MACHINE READABLE FORMAT, IS COPYRIGHTED AND AN INSTRUMENT OF SERVICES IN RESPECT TO THE PROJECT FOR WHICH IT WAS PREPARED. THIS DOCUMENT IS NOT INTENDED OR AUTHORIZED FOR REUSE BY ANY PARTY ON EXTENSIONS OF SUCH PROJECT OR ANY OTHER PROJECT. ANY REUSE, INCLUDING COPYING AND/OR MODIFYING THE DOCUMENT, WITHOUT WRITTEN PERMISSION FROM EMC ENGINEERS FOR THE SPECIFIC PURPOSE INTENDED IS A VIOLATION OF FEDERAL COPYRIGHT LAW. UNAUTHORIZED USE OF THIS MATERIAL MAY RESULT IN CIVIL AND/OR CRIMINAL PENALTIES.
COPY RIGHT 2013 EMC ENGINEERS.



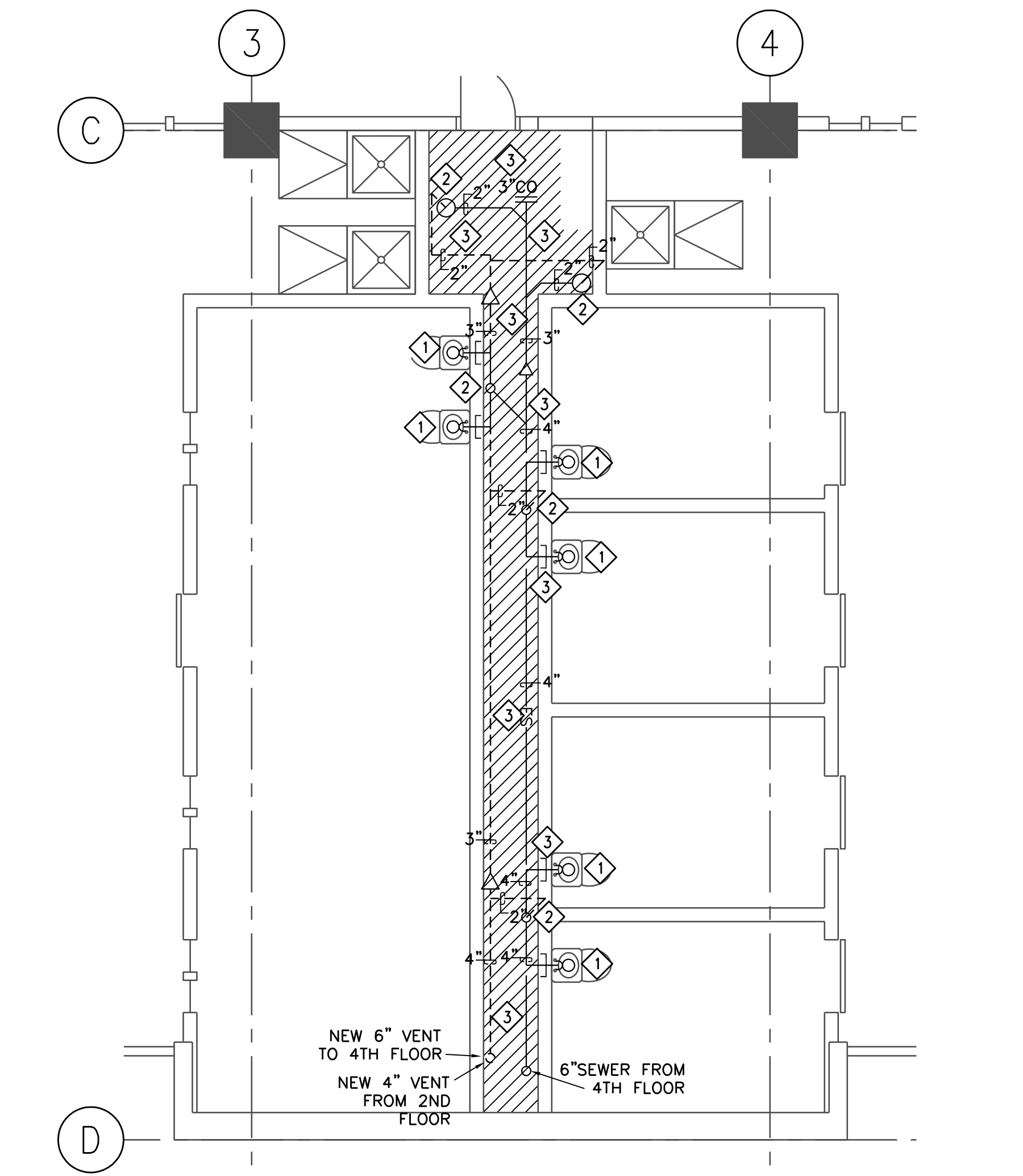
THE SEAL APPEARING ON THIS DOCUMENT WAS AUTHORIZED BY MELVIN G. GLASS, P.E. #64935 OF EMC ENGINEERS (TEAMS FIRM #E-27491) ON JANUARY 28, 2022. ALTERATION OF A SEALED DOCUMENT WITHOUT PROPER NOTIFICATION TO THE RESPONSIBLE ENGINEER IS AN OFFENSE UNDER THE TEXAS ENGINEERING PRACTICE ACT.

Project:	UPGRADE AND REPLACE THE SANITARY SEWER SYSTEM AT THE EL PASO COUNTY DETENTION FACILITY
Location:	601 E OVERLAND STREET EL PASO, TEXAS
Job Number:	ETC-2108022
Date:	11/23/2021
Scale:	AS SHOWN
Sheet	P-3.02
22 of:	X



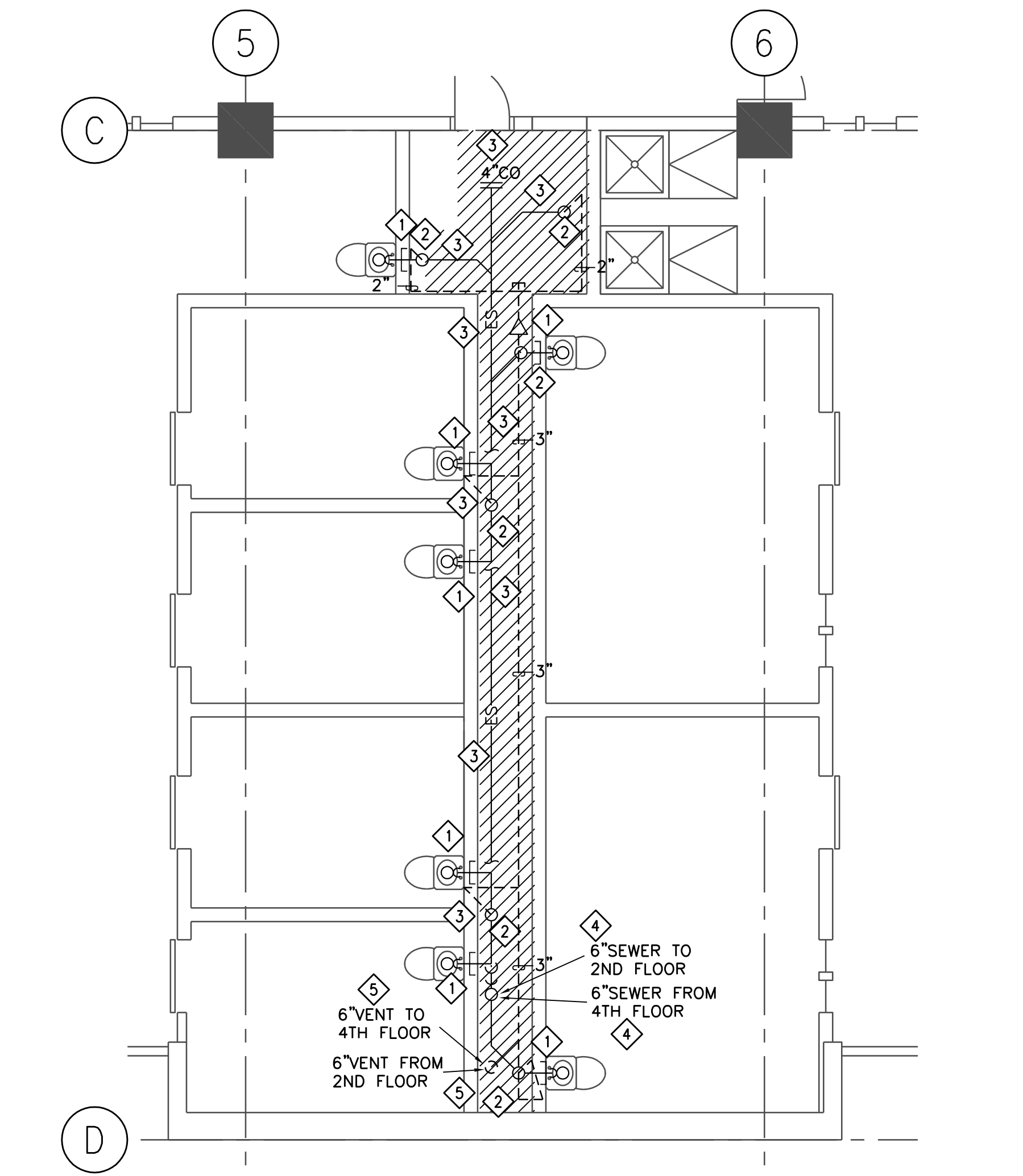
THIRD FLOOR ENLARGED DEMOLITION PLUMBING SEWER WASTE AND VENT PIPING FLOOR PLAN

1 P-3.02 SCALE 1/4" = 1'-0" REFER TO REMODEL PLAN 1/P-505



THIRD FLOOR ENLARGED DEMOLITION PLUMBING SEWER WASTE AND VENT PIPING FLOOR PLAN

2 P-3.02 SCALE 1/4" = 1'-0" REFER TO REMODEL PLAN 2/P-505



THIRD FLOOR ENLARGED DEMOLITION PLUMBING SEWER WASTE AND VENT PIPING FLOOR PLAN

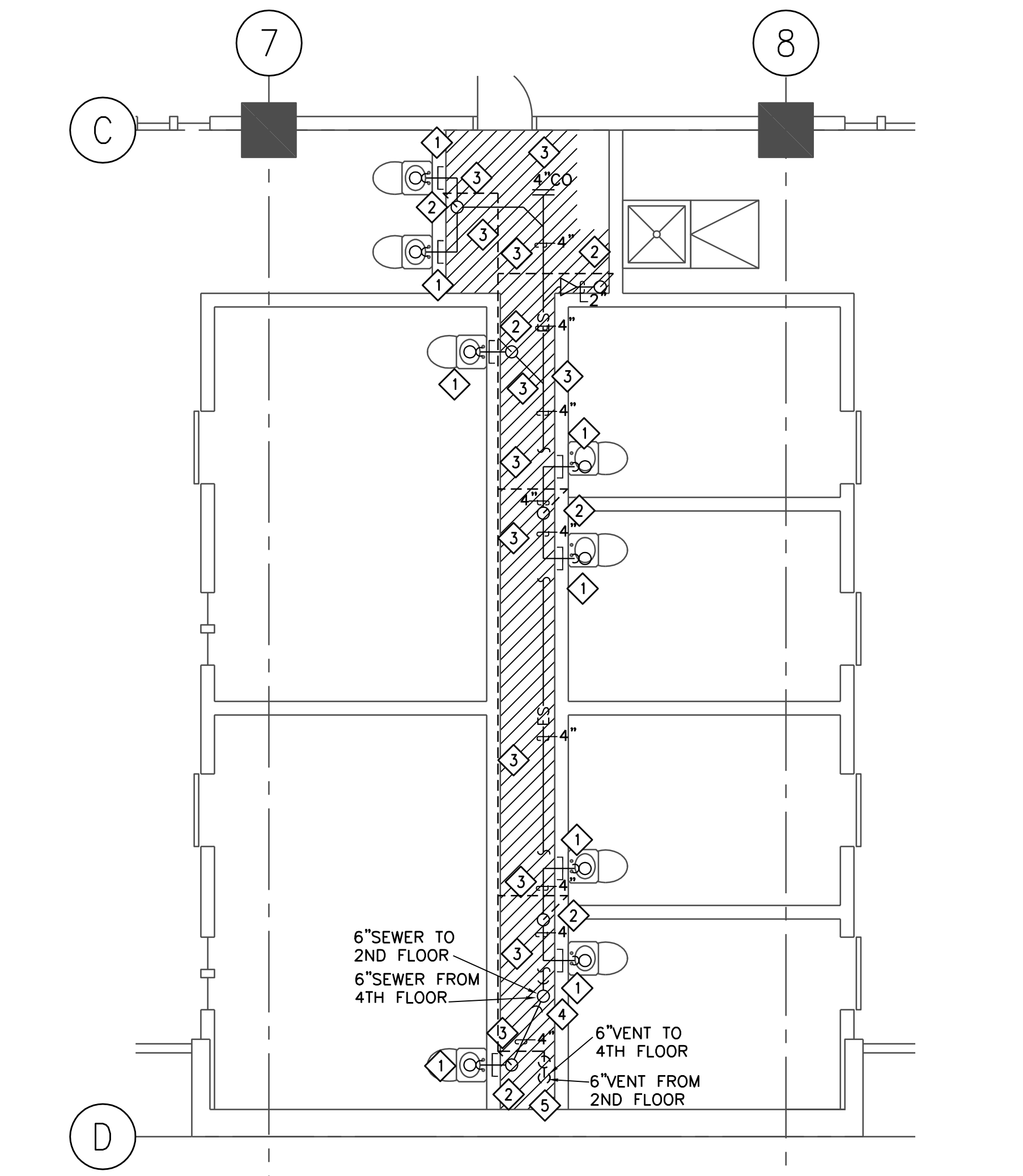
3 P-3.02 SCALE 1/4" = 1'-0" REFER TO REMODEL PLAN 3/P-505

DEMOLITION PLUMBING GENERAL NOTES:

- 1 THE INTENT OF THE DEMOLITION AND REPLACEMENT OF THE SEWER AND VENTING SYSTEMS FOR THE FACILITY. THIS FACILITY IS A 24/7 SECURED OPERATION FACILITY. SO THE CONTRACTOR SHALL COORDINATE ALL DEMOLITION AND REMODEL WORK WITH THE DETENTION PERSONNEL.
- 2 DEMOLITION SEWER AND VENT WORK SHOWN HATCHED, EXISTING WORK TO REMAIN IS UNHATCHED.
- 3 SOME PLUMBING CHASES CONTAIN MECHANICAL DUCTWORK, THE CONTRACTOR SHALL COORDINATE THE REMOVAL OF EXISTING SEWER AND VENT PIPING WITH THIS DUCTWORK.

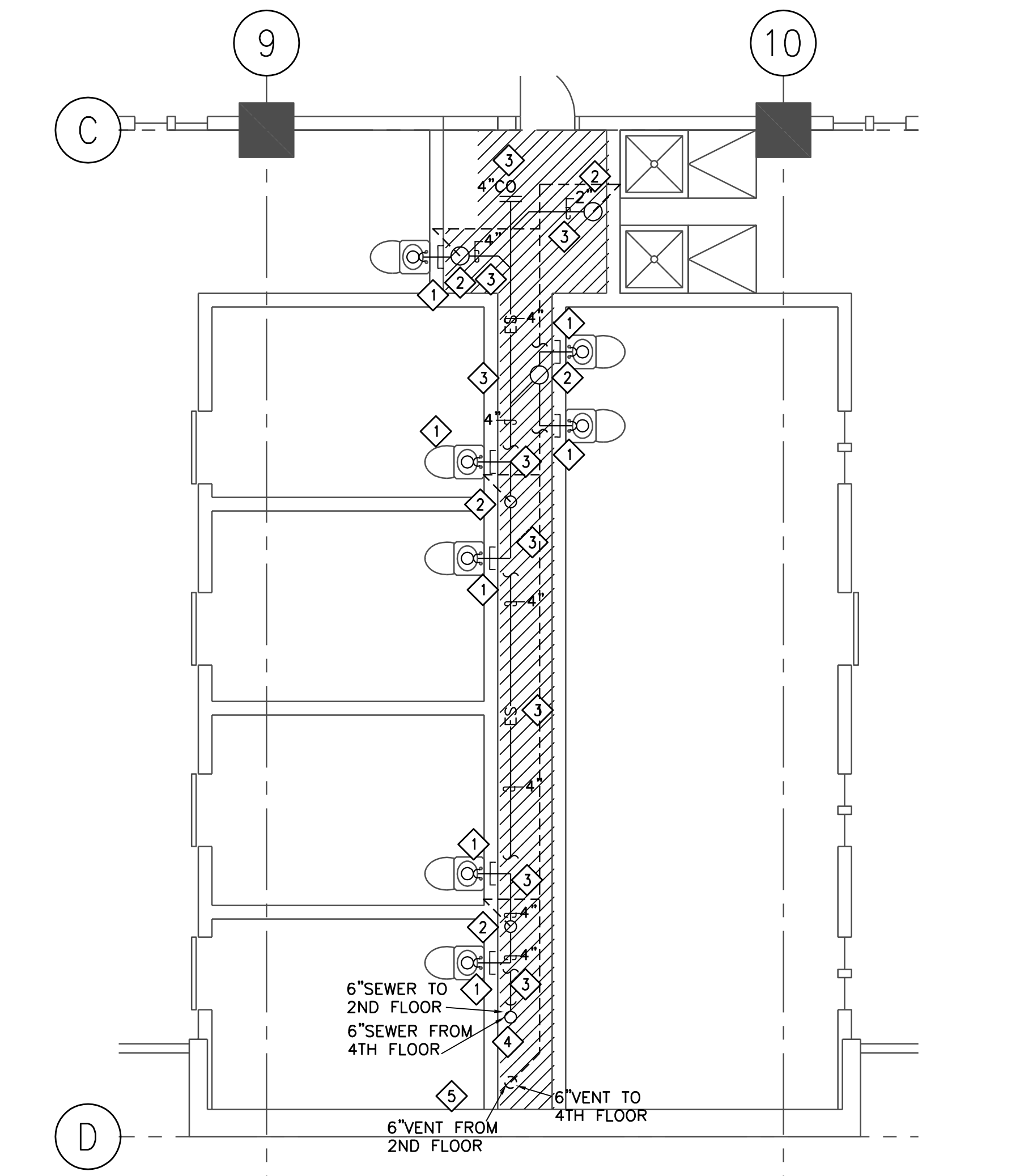
DEMOLITION PLUMBING KEYED NOTES:

- 1 EXISTING SEWER FROM THE CELL WATERCLOSET/SINK COMBO IS TO BE REMOVED FROM THE FIXTURE CONNECTION TO THE FLOOR PENETRATION, REFER TO REMODEL DRAWINGS P-5.xx AS NOTED ON PLAN FOR FURTHER INFORMATION.
- 2 EXISTING VENT PIPING IN CHASE TO BE REMOVED AND REPLACED REFER TO REMODEL DRAWINGS P-5.xx AS NOTED ON PLAN FOR FURTHER INFORMATION.
- 3 EXISTING SEWER PIPING IN CHASE BE REMOVED AND REPLACED, REFER TO REMODEL DRAWINGS P-5.xx AS NOTED ON PLAN FOR FURTHER INFORMATION.
- 4 EXISTING SEWER MAIN RISER TO BE REMOVED AND REPLACED, REFER TO REMODEL DRAWINGS P-5.xx AS NOTED ON PLAN FOR FURTHER INFORMATION.
- 5 EXISTING VENT MAIN RISER TO BE REMOVED AND REPLACED, REFER TO REMODEL DRAWINGS P-5.xx AS NOTED ON PLAN FOR FURTHER INFORMATION.



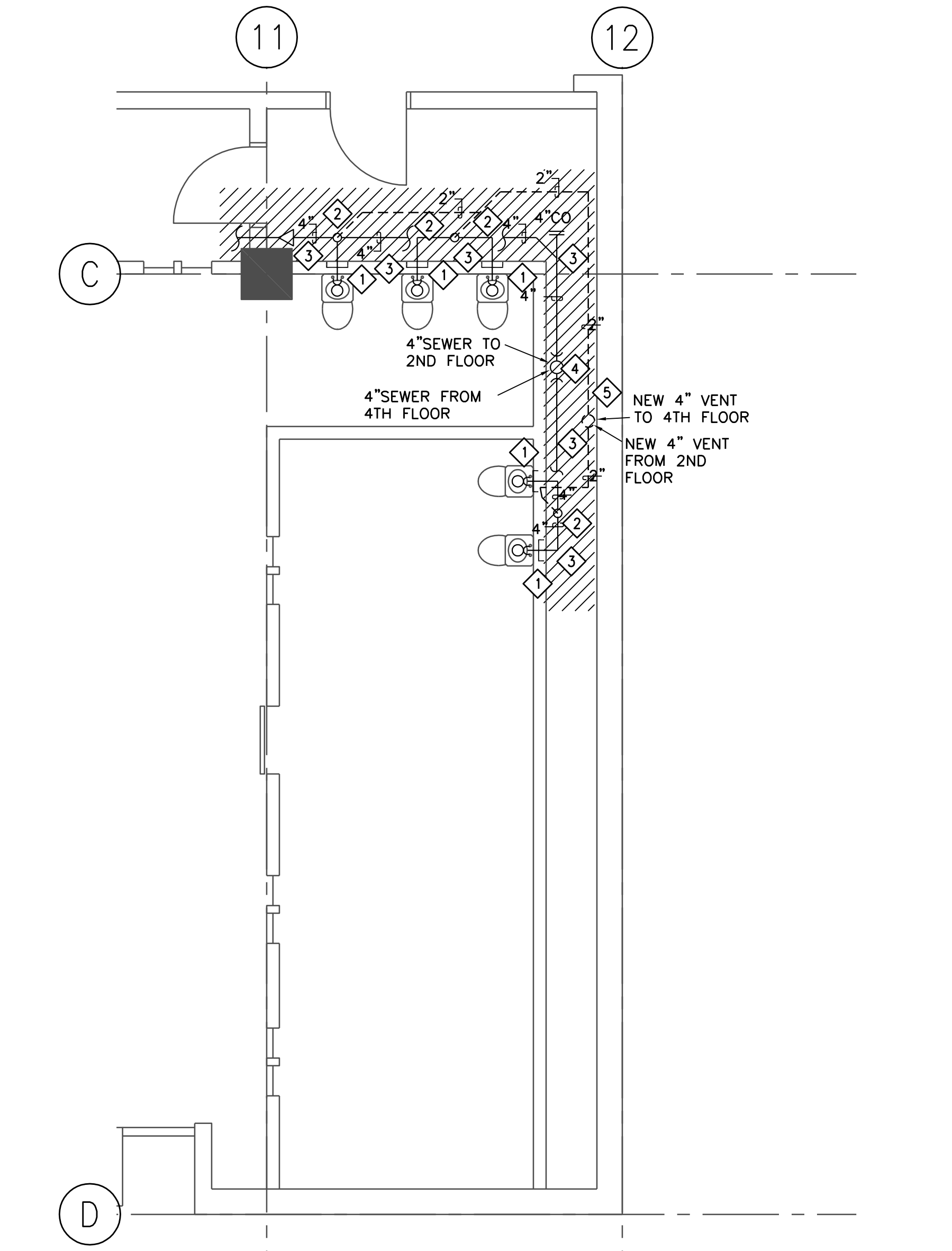
THIRD FLOOR ENLARGED DEMOLITION PLUMBING SEWER WASTE AND VENT PIPING FLOOR PLAN

4 P-3.02 SCALE 1/4" = 1'-0" REFER TO REMODEL PLAN 1/P-505



THIRD FLOOR ENLARGED DEMOLITION PLUMBING SEWER WASTE AND VENT PIPING FLOOR PLAN

5 P-3.02 SCALE 1/4" = 1'-0" REFER TO REMODEL PLAN 2/P-505



THIRD FLOOR ENLARGED DEMOLITION PLUMBING SEWER WASTE AND VENT PIPING FLOOR PLAN

6 P-3.02 SCALE 1/4" = 1'-0" REFER TO REMODEL PLAN 3/P-505

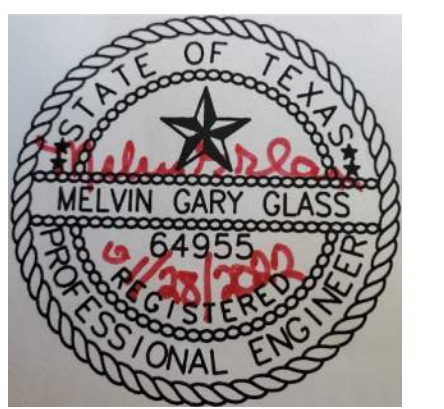
THIS DOCUMENT, WHETHER IN HARD COPY OR MACHINE READABLE FORMAT, IS COPYRIGHTED AND AN INSTRUMENT OF SERVICES IN RESPECT TO THE PROJECT FOR WHICH IT WAS PREPARED. THIS DOCUMENT IS NOT INTENDED OR AUTHORIZED FOR REUSE BY ANY PARTY ON EXTENSIONS OF SUCH PROJECT OR ANY OTHER PROJECT. ANY REUSE, INCLUDING COPYING AND/OR MODIFYING THE DOCUMENT, WITHOUT WRITTEN PERMISSION FROM EMC ENGINEERS FOR THE SPECIFIC PURPOSE INTENDED IS A VIOLATION OF FEDERAL COPYRIGHT LAW. UNAUTHORIZED USE OF THIS MATERIAL MAY RESULT IN CIVIL AND/OR CRIMINAL PENALTIES.
COPY RIGHT 2013 EMC ENGINEERS.



EMC ENGINEERS
2311 E. BUSINESS AVENUE, SUITE 100
EL PASO, TEXAS 79901
TEL: 915-781-2030
FAX: 915-781-2035
TEXAS REG. NO. 64302
EMC PROJECT #2108022

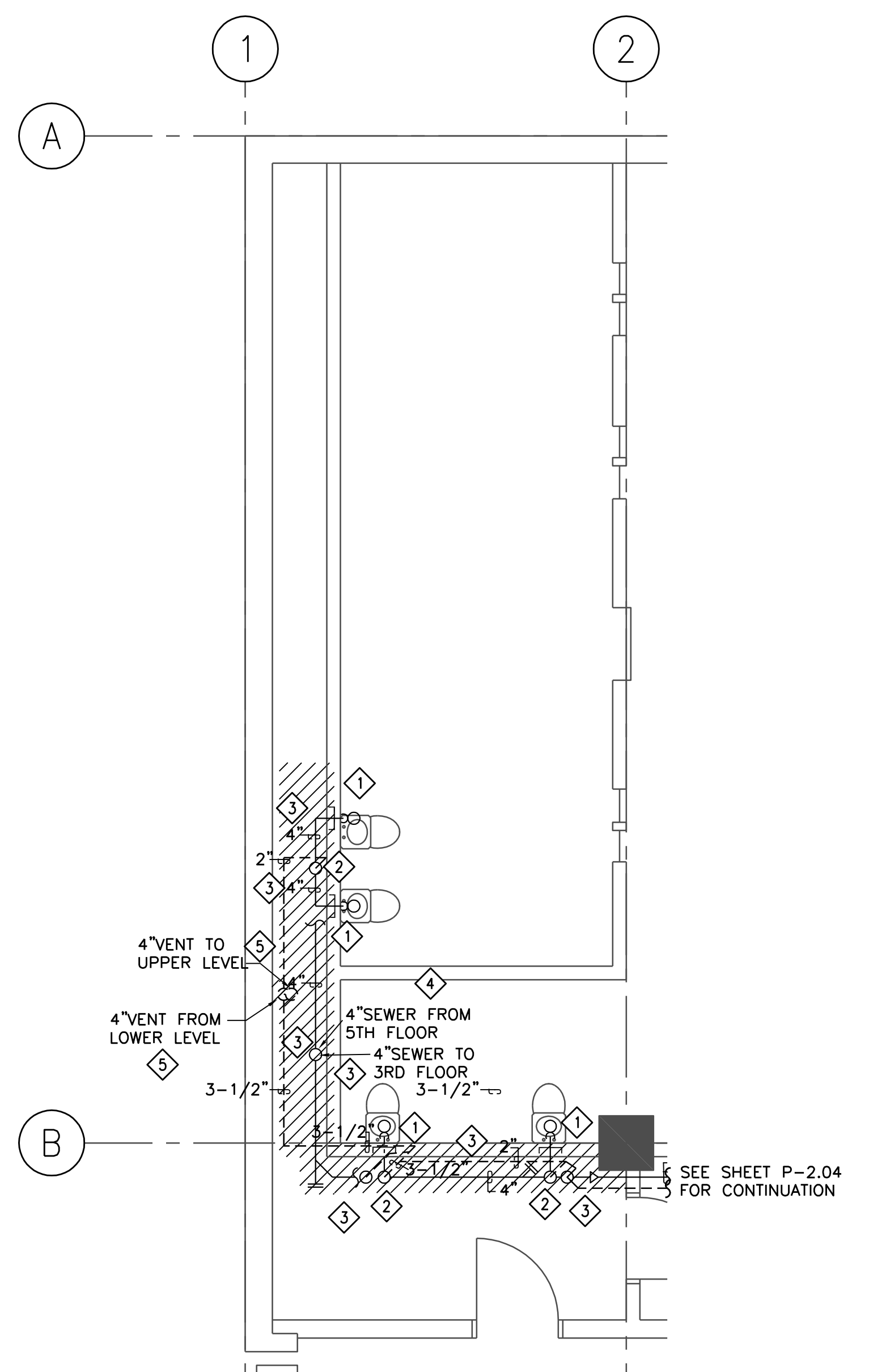
Designed By: ETC
Drawn By: ETC
Checked By: ETC

Rev.#	Date	Description

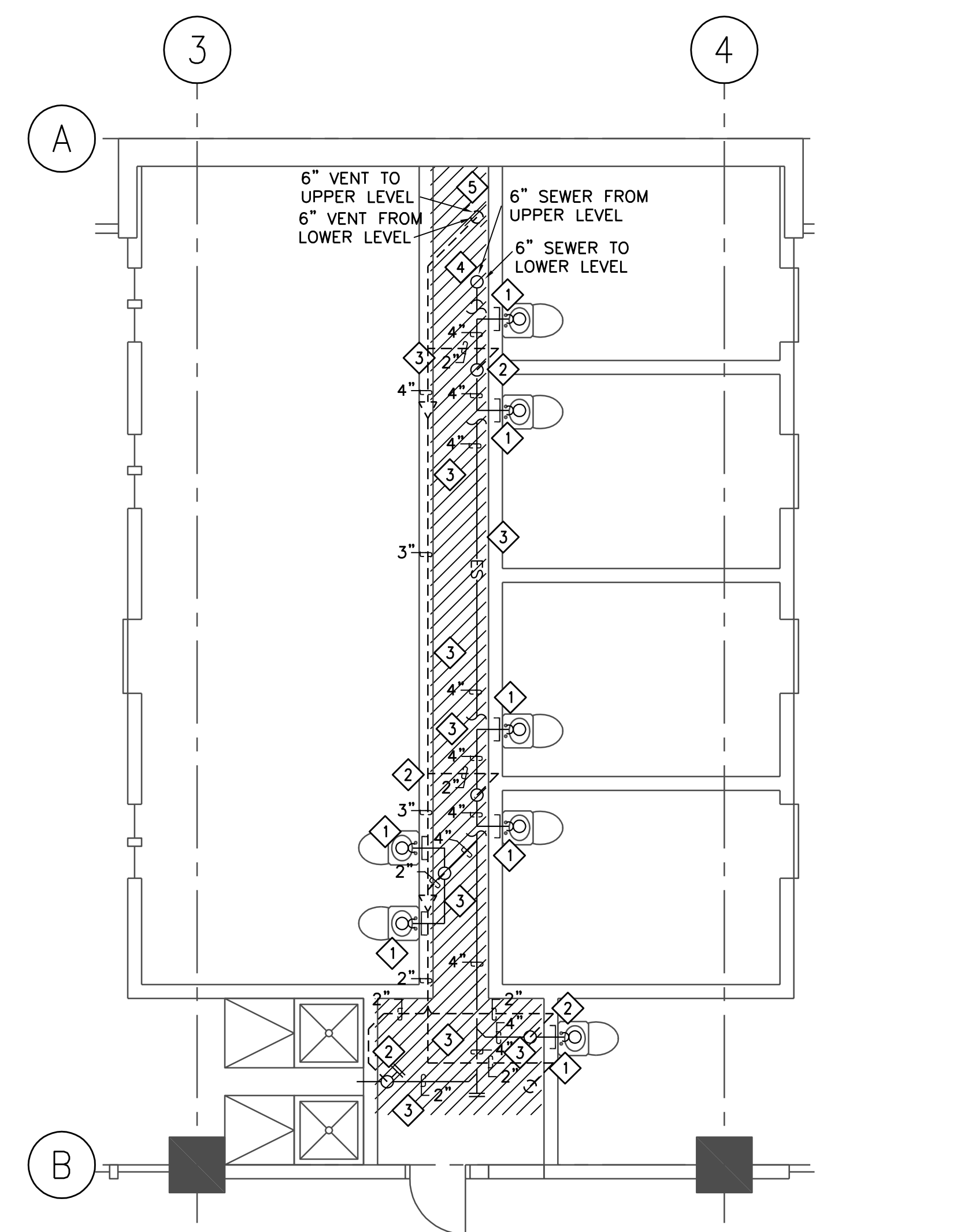


THE SEAL APPEARING ON THIS DOCUMENT WAS AUTHORIZED BY MELVIN G. GLASS, P.E. #64935 OF EMC ENGINEERS (TEXAS FIRM REG. #2491) ON JANUARY 28, 2022. ALTERATION OF A SEALED DOCUMENT WITHOUT PROPER NOTIFICATION TO THE RESPONSIBLE ENGINEER IS AN OFFENSE UNDER THE TEXAS ENGINEERING PRACTICE ACT.

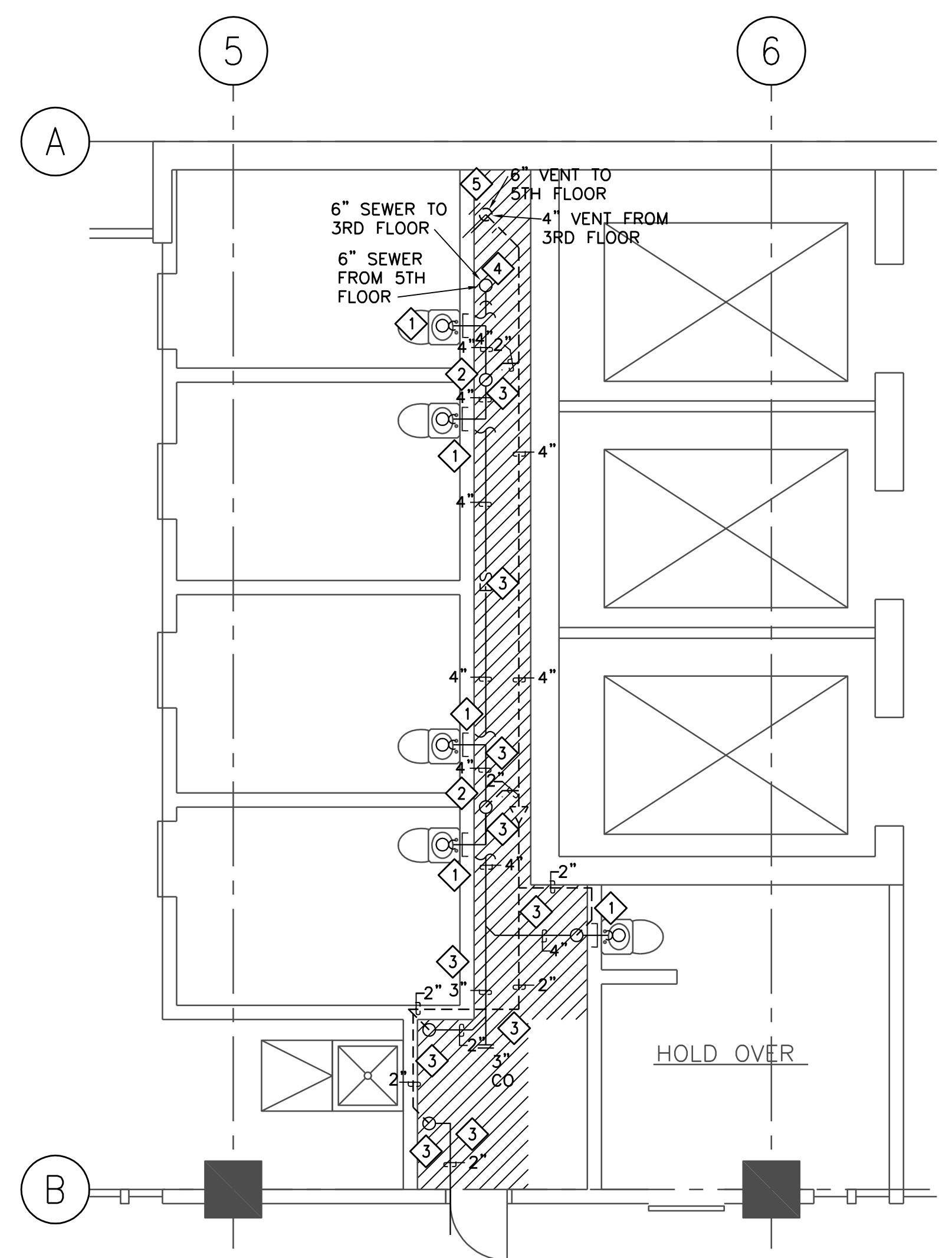
Project:	UPGRADE AND REPLACE THE SANITARY SEWER SYSTEM AT THE EL PASO COUNTY DETENTION FACILITY
Location:	601 E OVERLAND STREET EL PASO, TEXAS
Job Number:	ETC-2108022
Date:	11/23/2021
Scale:	AS SHOWN
Sheet:	P-3.03
23 of:	X



FOURTH FLOOR ENLARGED DEMOLITION PLUMBING SEWER WASTE AND VENT PIPING FLOOR PLAN
 SCALE 1/4" = 1'-0"
 REFER TO REMODEL PLAN 1/P-507



FOURTH FLOOR ENLARGED DEMOLITION PLUMBING SEWER WASTE AND VENT PIPING FLOOR PLAN
 SCALE 1/4" = 1'-0"
 REFER TO REMODEL PLAN 2/P-507



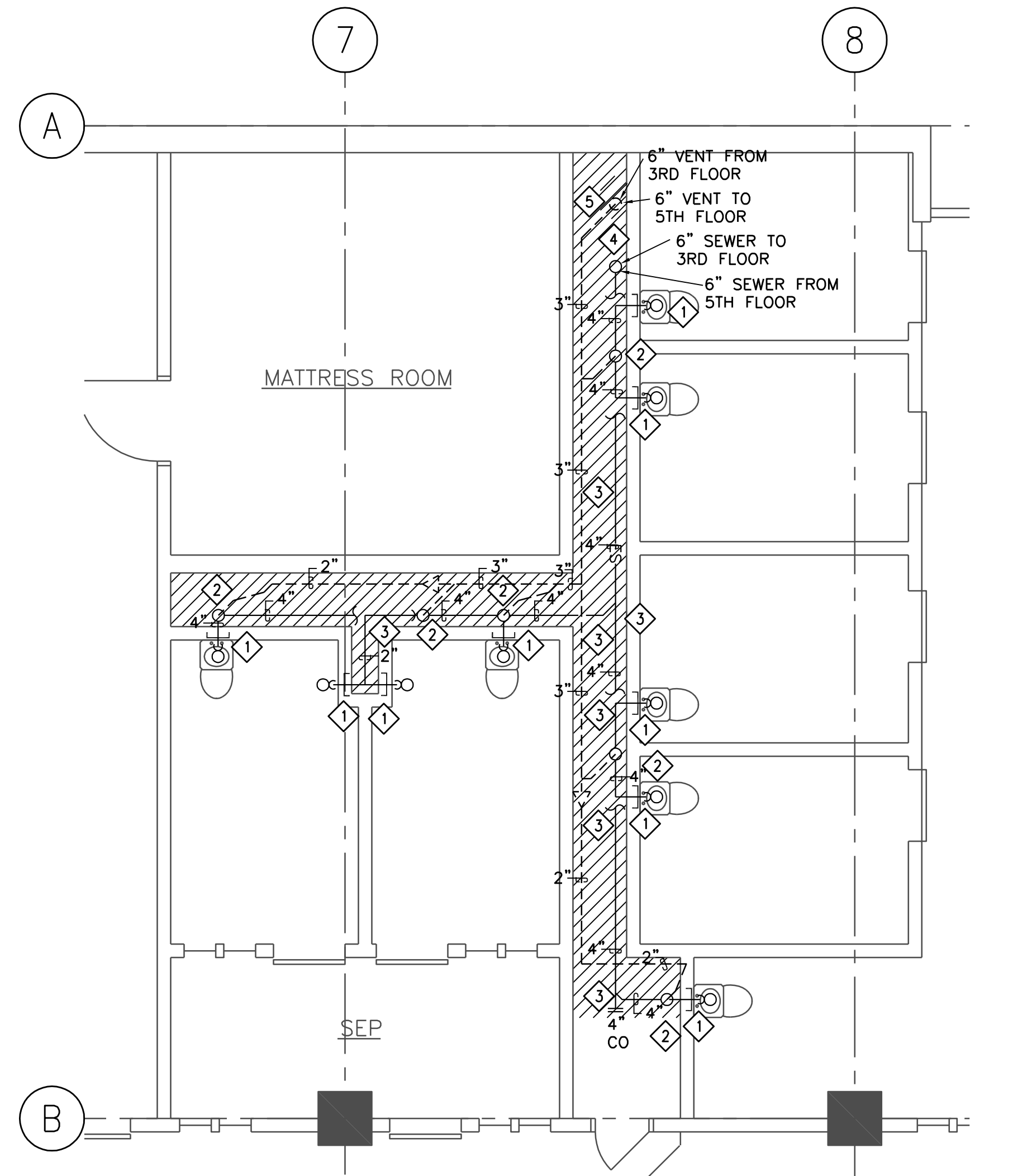
FOURTH FLOOR ENLARGED DEMOLITION PLUMBING SEWER WASTE AND VENT PIPING FLOOR PLAN
 SCALE 1/4" = 1'-0"
 REFER TO REMODEL PLAN 3/P-507

DEMOLITION PLUMBING GENERAL NOTES:

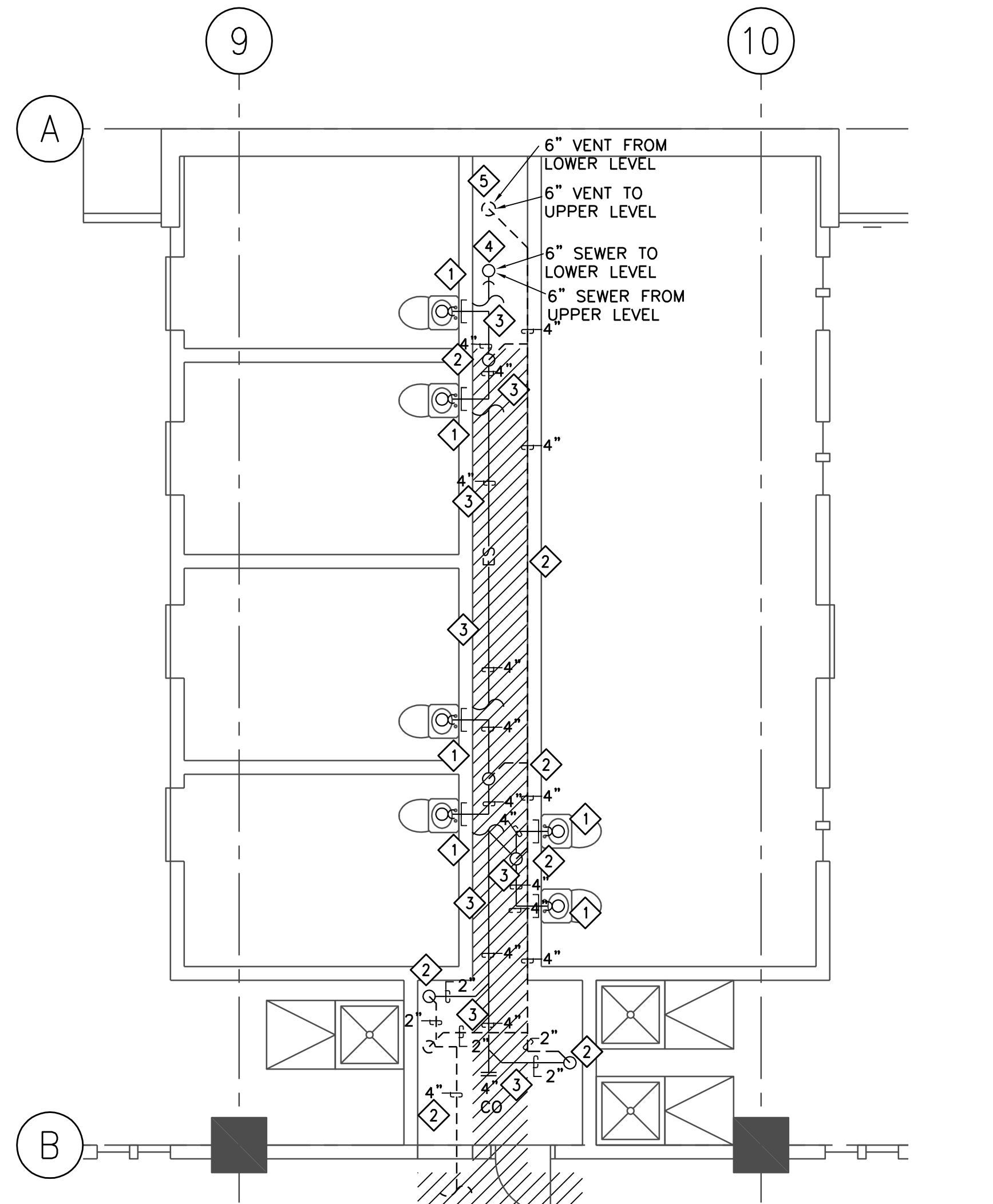
- 1 THE INTENT OF THE DEMOLITION AND REPLACEMENT OF THE SEWER AND VENTING SYSTEMS FOR THE FACILITY. THIS FACILITY IS A 24/7 SECURED OPERATION FACILITY. SO THE CONTRACTOR SHALL COORDINATE ALL DEMOLITION AND REMODEL WORK WITH THE DETENTION PERSONNEL.
- 2 DEMOLITION SEWER AND VENT WORK SHOWN HATCHED, EXISTING WORK TO REMAIN IS UNHATCHED.
- 3 SOME PLUMBING CHASES CONTAIN MECHANICAL DUCTWORK, THE CONTRACTOR SHALL COORDINATE THE REMOVAL OF EXISTING SEWER AND VENT PIPING WITH THIS DUCTWORK.

DEMOLITION PLUMBING KEYED NOTES:

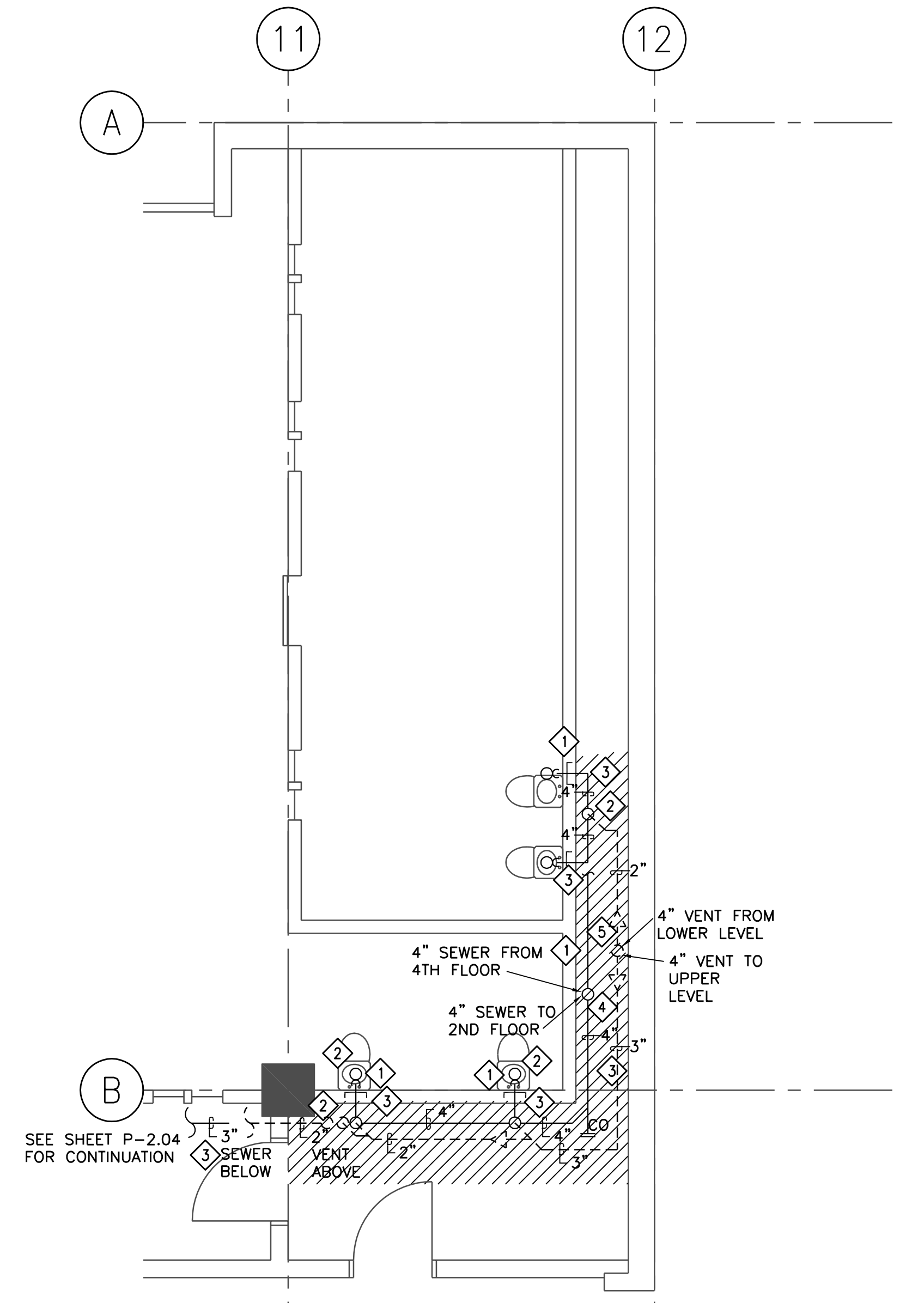
- 1 EXISTING SEWER FROM THE CELL WATERCLOSET/SINK COMBO IS TO BE REMOVED FROM THE FIXTURE CONNECTION TO THE FLOOR PENETRATION. REFER TO REMODEL DRAWINGS P-5.XX AS NOTED ON PLAN FOR FURTHER INFORMATION.
- 2 EXISTING VENT PIPING IN CHASE TO BE REMOVED AND REPLACED REFER TO REMODEL DRAWINGS P-5.XX AS NOTED ON PLAN FOR FURTHER INFORMATION.
- 3 EXISTING SEWER PIPING IN CHASE BE REMOVED AND REPLACED. REFER TO REMODEL DRAWINGS P-5.XX AS NOTED ON PLAN FOR FURTHER INFORMATION.
- 4 EXISTING SEWER MAIN RISER TO BE REMOVED AND REPLACED. REFER TO REMODEL DRAWINGS P-5.XX AS NOTED ON PLAN FOR FURTHER INFORMATION.
- 5 EXISTING VENT MAIN RISER TO BE REMOVED AND REPLACED. REFER TO REMODEL DRAWINGS P-5.XX AS NOTED ON PLAN FOR FURTHER INFORMATION.



FOURTH FLOOR ENLARGED DEMOLITION PLUMBING SEWER WASTE AND VENT PIPING FLOOR PLAN
 SCALE 1/4" = 1'-0"
 REFER TO REMODEL PLAN 1/P-508

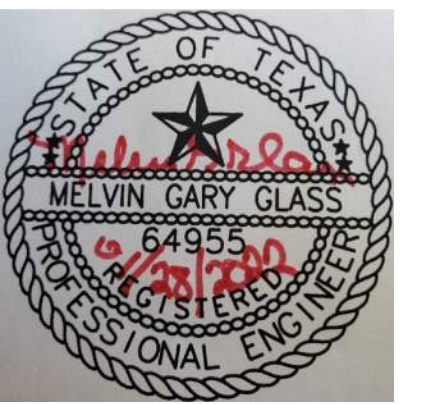


FOURTH FLOOR ENLARGED DEMOLITION PLUMBING SEWER WASTE AND VENT PIPING FLOOR PLAN
 SCALE 1/4" = 1'-0"
 REFER TO REMODEL PLAN 2/P-508

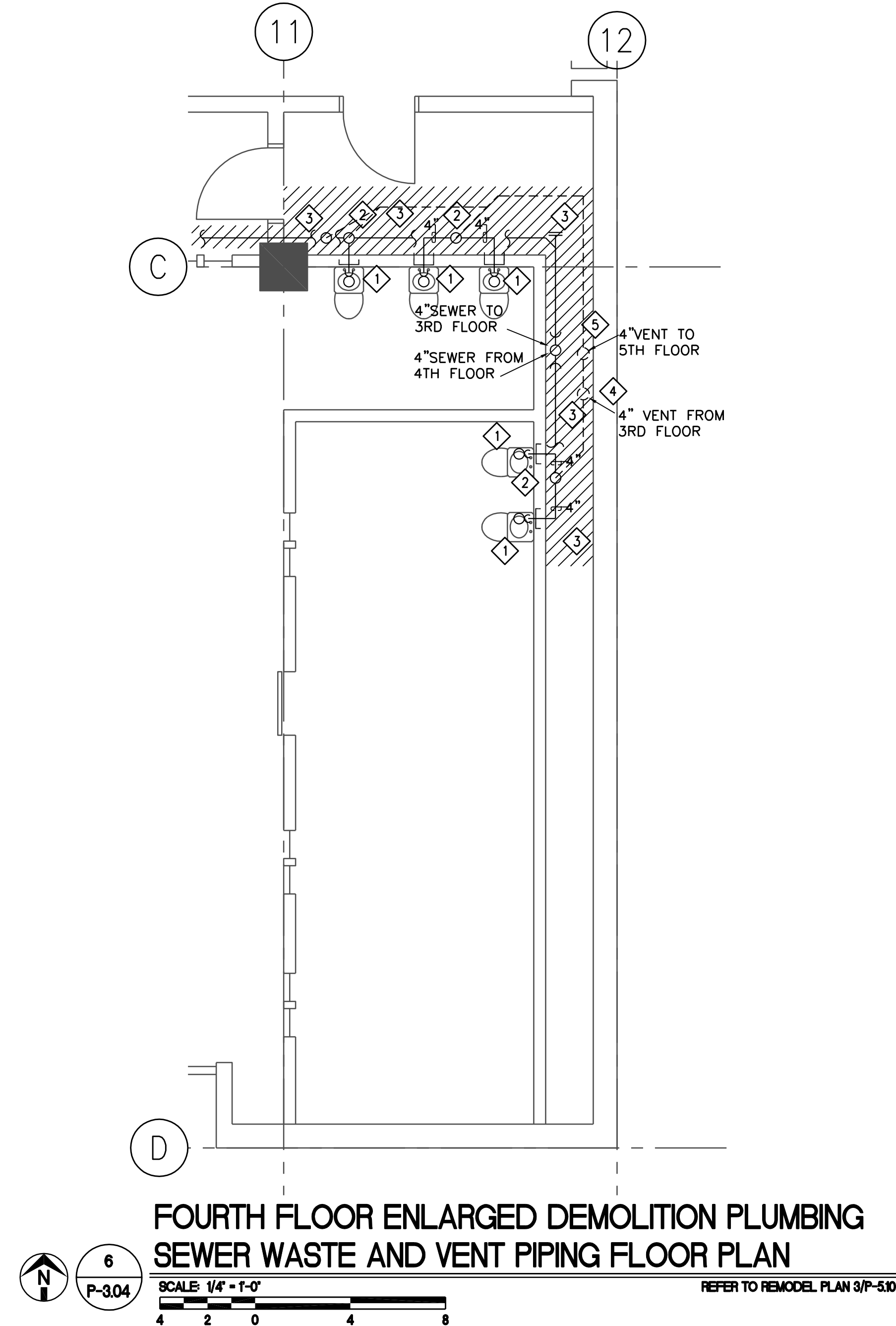
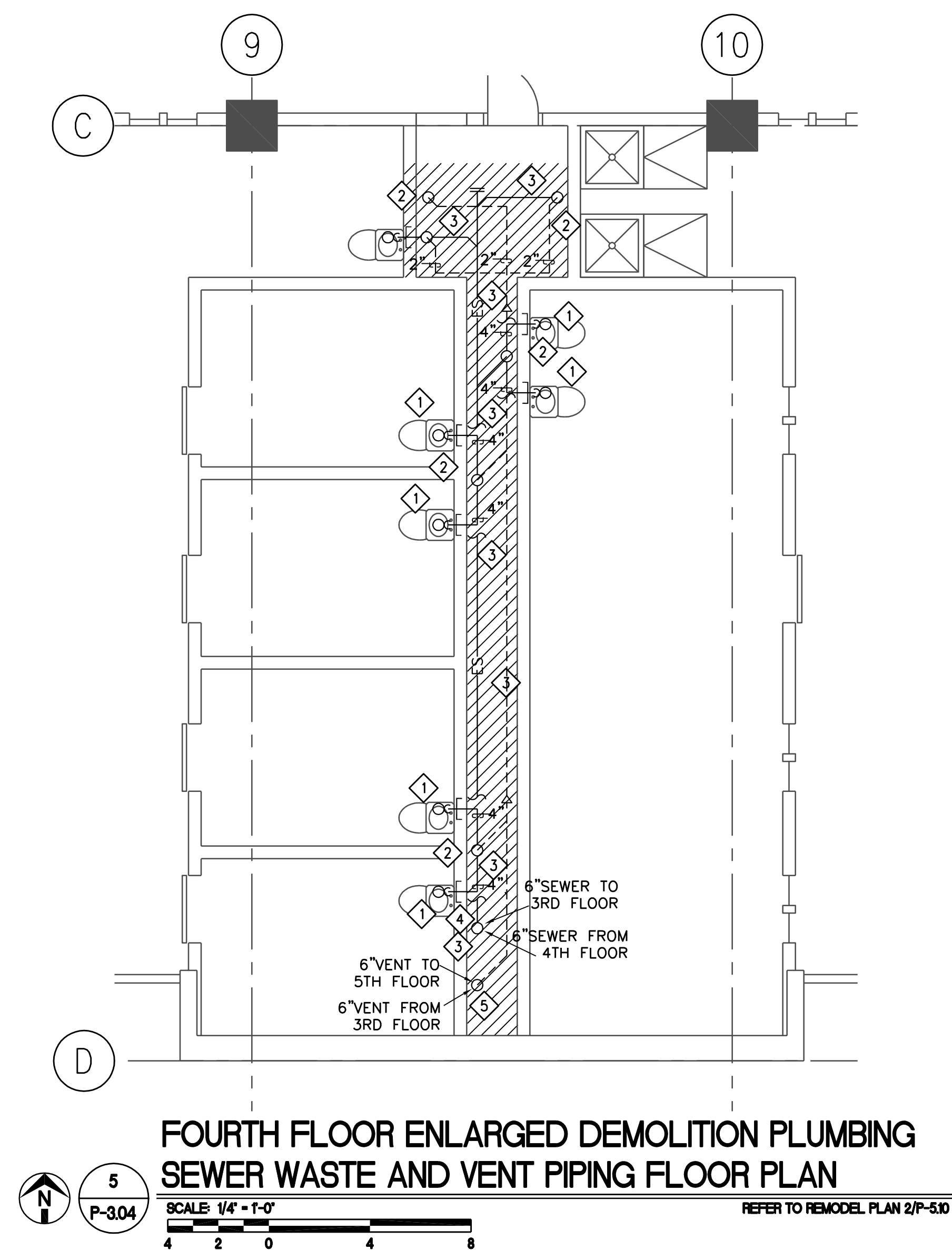
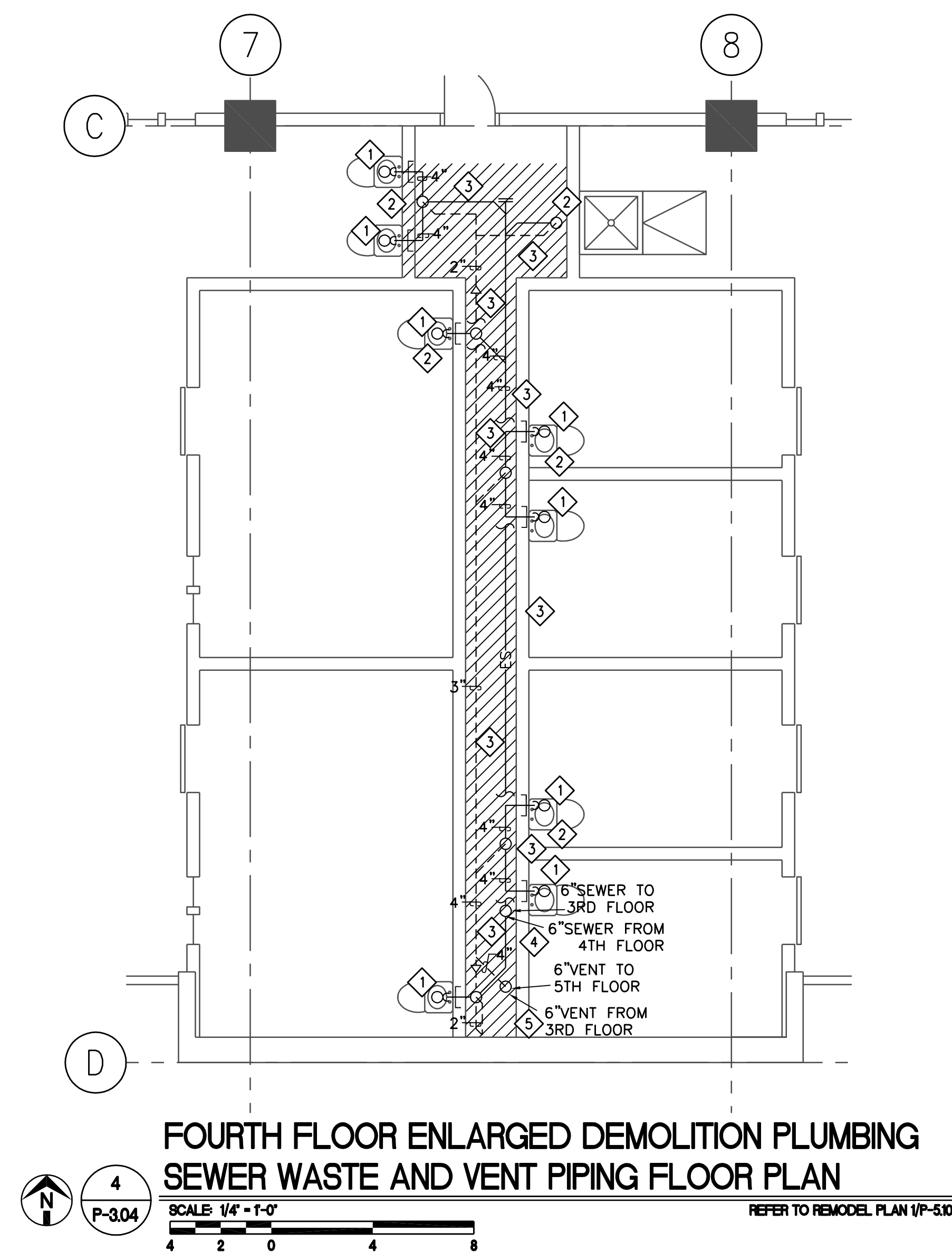
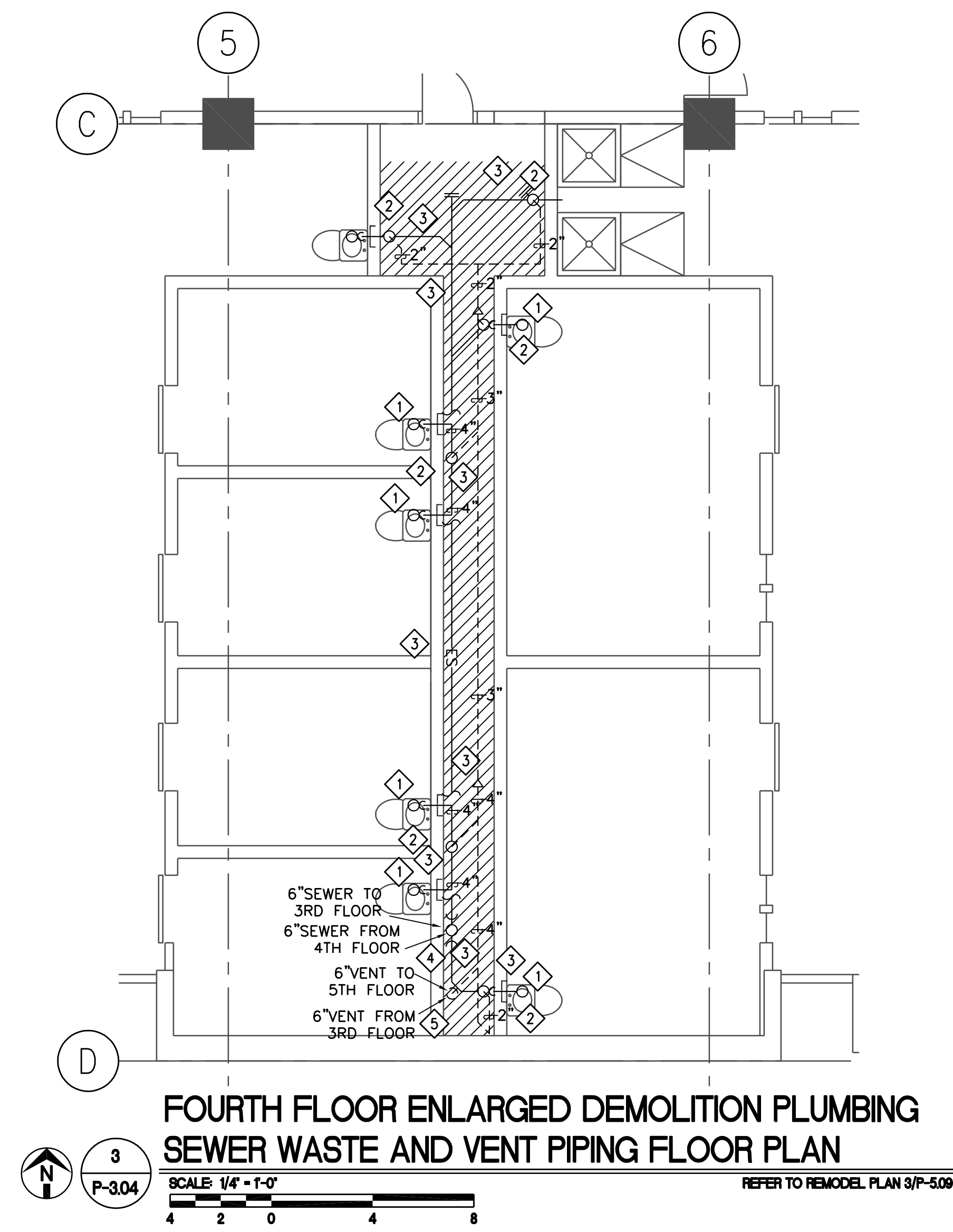
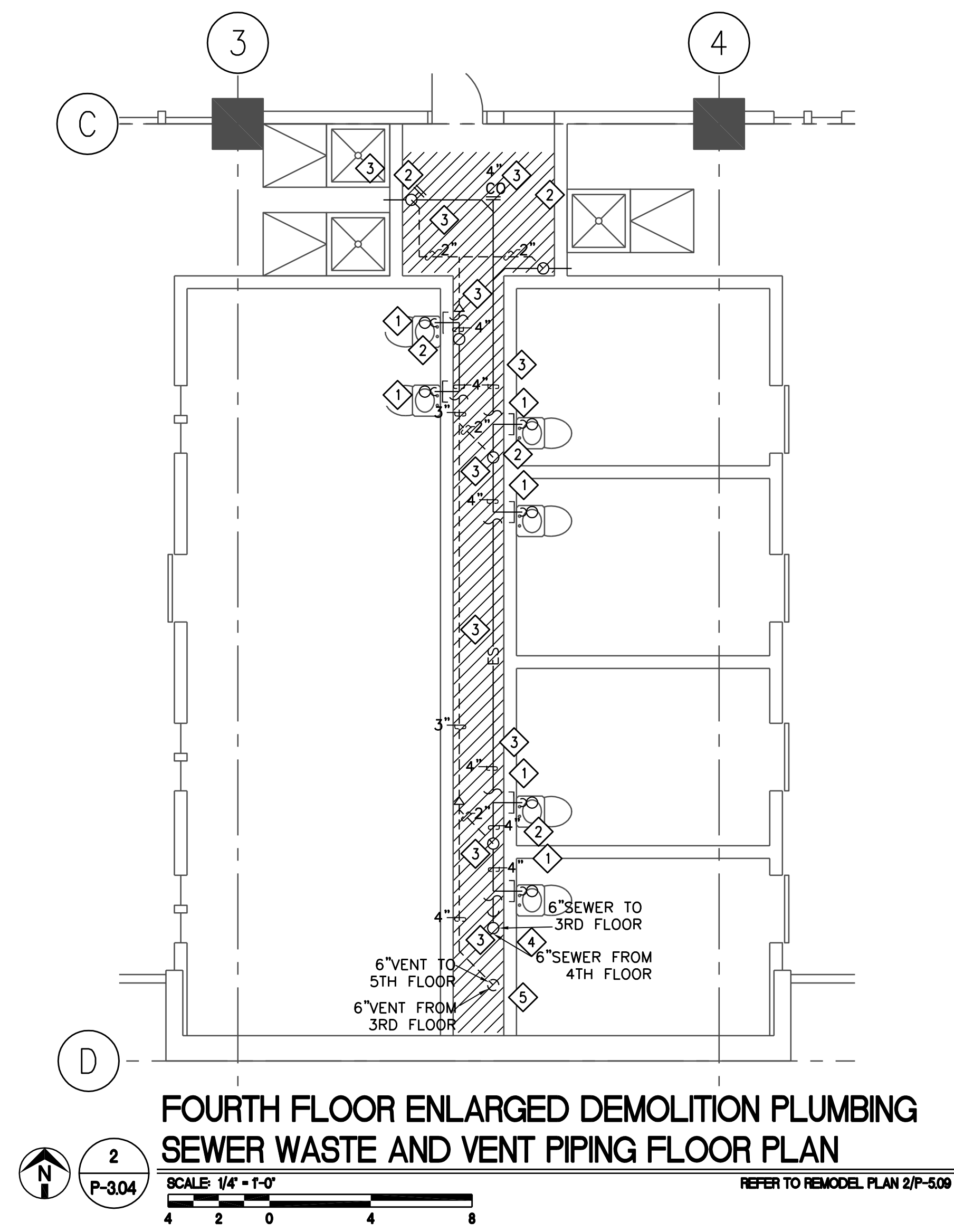
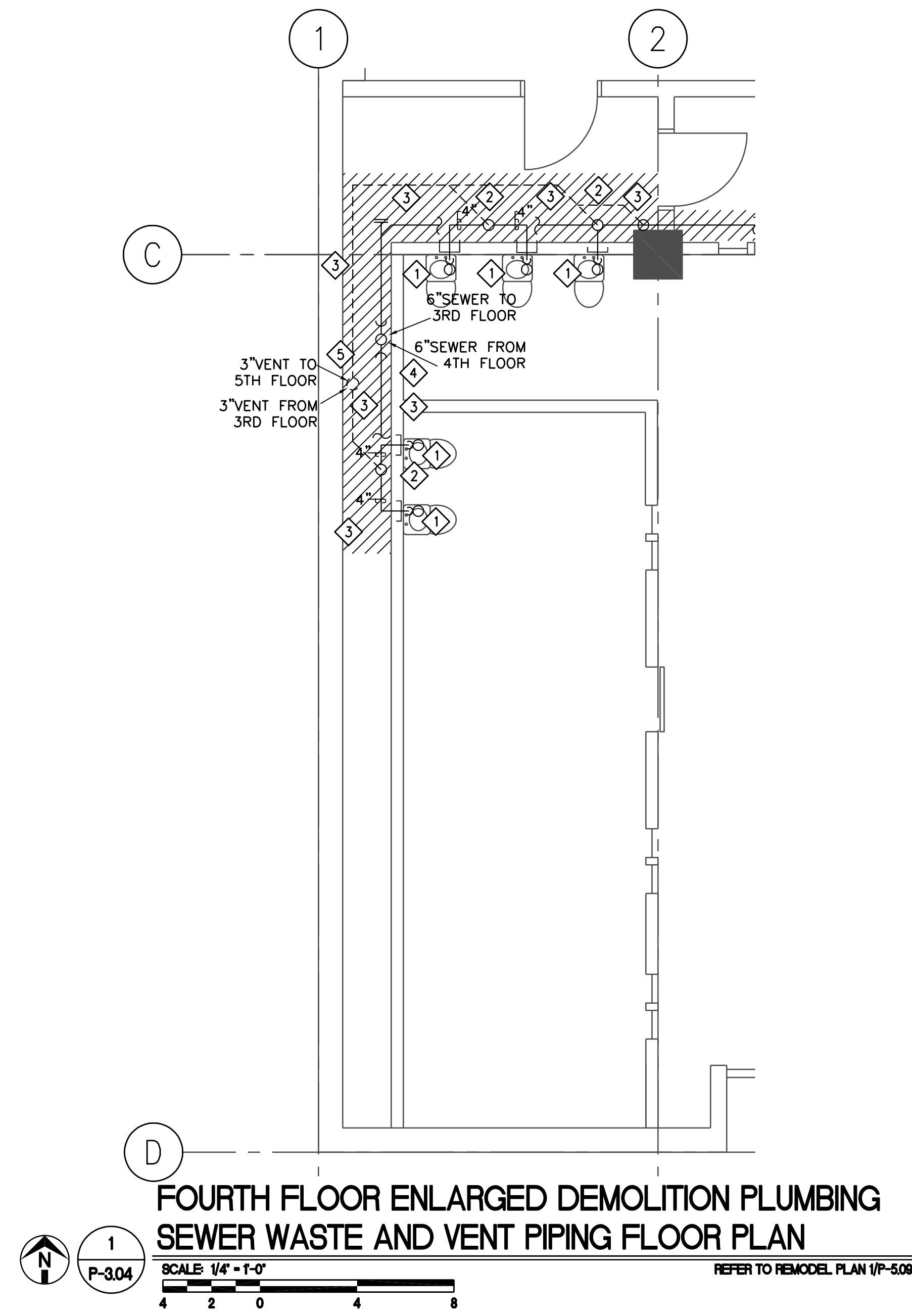


FOURTH FLOOR ENLARGED DEMOLITION PLUMBING SEWER WASTE AND VENT PIPING FLOOR PLAN
 SCALE 1/4" = 1'-0"
 REFER TO REMODEL PLAN 3/P-508

THIS DOCUMENT, WHETHER IN HARD COPY OR MACHINE READABLE FORMAT, IS COPYRIGHTED AND AN INSTRUMENT OF SERVICES IN RESPECT TO THE PROJECT FOR WHICH IT WAS PREPARED. THIS DOCUMENT IS NOT INTENDED OR AUTHORIZED FOR REUSE BY ANY PARTY ON EXTENSIONS OF SUCH PROJECT OR ANY OTHER PROJECT. ANY REUSE, INCLUDING COPYING AND/OR MODIFYING THE DOCUMENT, WITHOUT WRITTEN PERMISSION FROM EMC ENGINEERS FOR THE SPECIFIC PURPOSE INTENDED IS A VIOLATION OF FEDERAL COPYRIGHT LAW. UNAUTHORIZED USE OF THIS MATERIAL MAY RESULT IN CIVIL AND/OR CRIMINAL PENALTIES.
 COPY RIGHT 2013 EMC ENGINEERS.



THE SEAL APPEARING ON THIS DOCUMENT WAS AUTHORIZED BY MELVIN G. GLASS, P.E. #64935 OF EMC ENGINEERS (TEXAS FIRM REG. #24911) ON JANUARY 28, 2022. ALTERATION OF A SEALED DOCUMENT WITHOUT PROPER NOTIFICATION TO THE RESPONSIBLE ENGINEER IS AN OFFENSE UNDER THE TEXAS ENGINEERING PRACTICE ACT.



DEMOLITION PLUMBING GENERAL NOTES:

- 1 THE INTENT OF THE DEMOLITION AND REPLACEMENT OF THE SEWER AND VENTING SYSTEMS FOR THE FACILITY. THIS FACILITY IS A 24/7 SECURED OPERATION FACILITY. SO THE CONTRACTOR SHALL COORDINATE ALL DEMOLITION AND REMODEL WORK WITH THE DETENTION PERSONNEL.
- 2 DEMOLITION SEWER AND VENT WORK SHOWN HATCHED, EXISTING WORK TO REMAIN IS UNHATCHED.
- 3 SOME PLUMBING CHASES CONTAIN MECHANICAL DUCTWORK, THE CONTRACTOR SHALL COORDINATE THE REMOVAL OF EXISTING SEWER AND VENT PIPING WITH THIS DUCTWORK.

DEMOLITION PLUMBING KEYED NOTES:

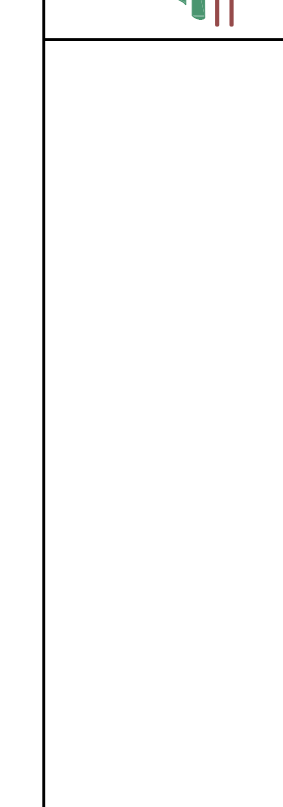
- 1 EXISTING SEWER FROM THE CELL WATERCLOSET/SINK COMBO IS TO BE REMOVED FROM THE FIXTURE CONNECTION TO THE FLOOR PENETRATION, REFER TO REMODEL DRAWINGS P-5.xx AS NOTED ON PLAN FOR FURTHER INFORMATION.
- 2 EXISTING VENT PIPING IN CHASE TO BE REMOVED AND REPLACED REFER TO REMODEL DRAWINGS P-5.xx AS NOTED ON PLAN FOR FURTHER INFORMATION.
- 3 EXISTING SEWER PIPING IN CHASE BE REMOVED AND REPLACED, REFER TO REMODEL DRAWINGS P-5.xx AS NOTED ON PLAN FOR FURTHER INFORMATION.
- 4 EXISTING SEWER MAIN RISER TO BE REMOVED AND REPLACED, REFER TO REMODEL DRAWINGS P-5.xx AS NOTED ON PLAN FOR FURTHER INFORMATION.
- 5 EXISTING VENT MAIN RISER TO BE REMOVED AND REPLACED, REFER TO REMODEL DRAWINGS P-5.xx AS NOTED ON PLAN FOR FURTHER INFORMATION.

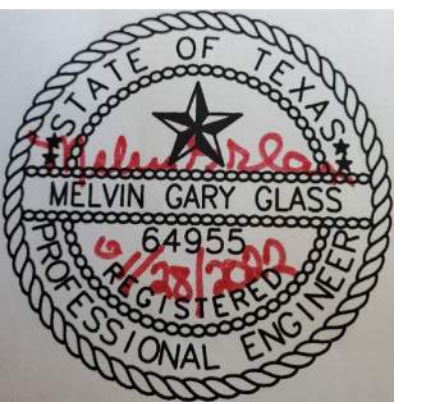
THIS DOCUMENT, WHETHER IN HARD COPY OR MACHINE READABLE FORMAT, IS COPYRIGHTED AND AN INSTRUMENT OF SERVICES IN RESPECT TO THE PROJECT FOR WHICH IT WAS PREPARED. THIS DOCUMENT IS NOT INTENDED OR AUTHORIZED FOR REUSE BY ANY PARTY ON EXTENSIONS OF SUCH PROJECT OR ANY OTHER PROJECT. ANY REUSE, INCLUDING COPYING AND/OR MODIFYING THE DOCUMENT, WITHOUT WRITTEN PERMISSION FROM EMC ENGINEERS FOR THE SPECIFIC PURPOSE INTENDED IS A VIOLATION OF FEDERAL COPYRIGHT LAW. UNAUTHORIZED USE OF THIS MATERIAL MAY RESULT IN CIVIL AND/OR CRIMINAL PENALTIES.
 COPY RIGHT 2013 EMC ENGINEERS.

Project:	UPGRADE AND REPLACE THE SANITARY SEWER SYSTEM AT THE EL PASO COUNTY DETENTION FACILITY
Location:	601 E OVERLAND STREET EL PASO, TEXAS
Job Number:	ETC-2108022
Date:	11/23/2021
Scale:	AS SHOWN
Sheet:	P-3.04
24 of:	X

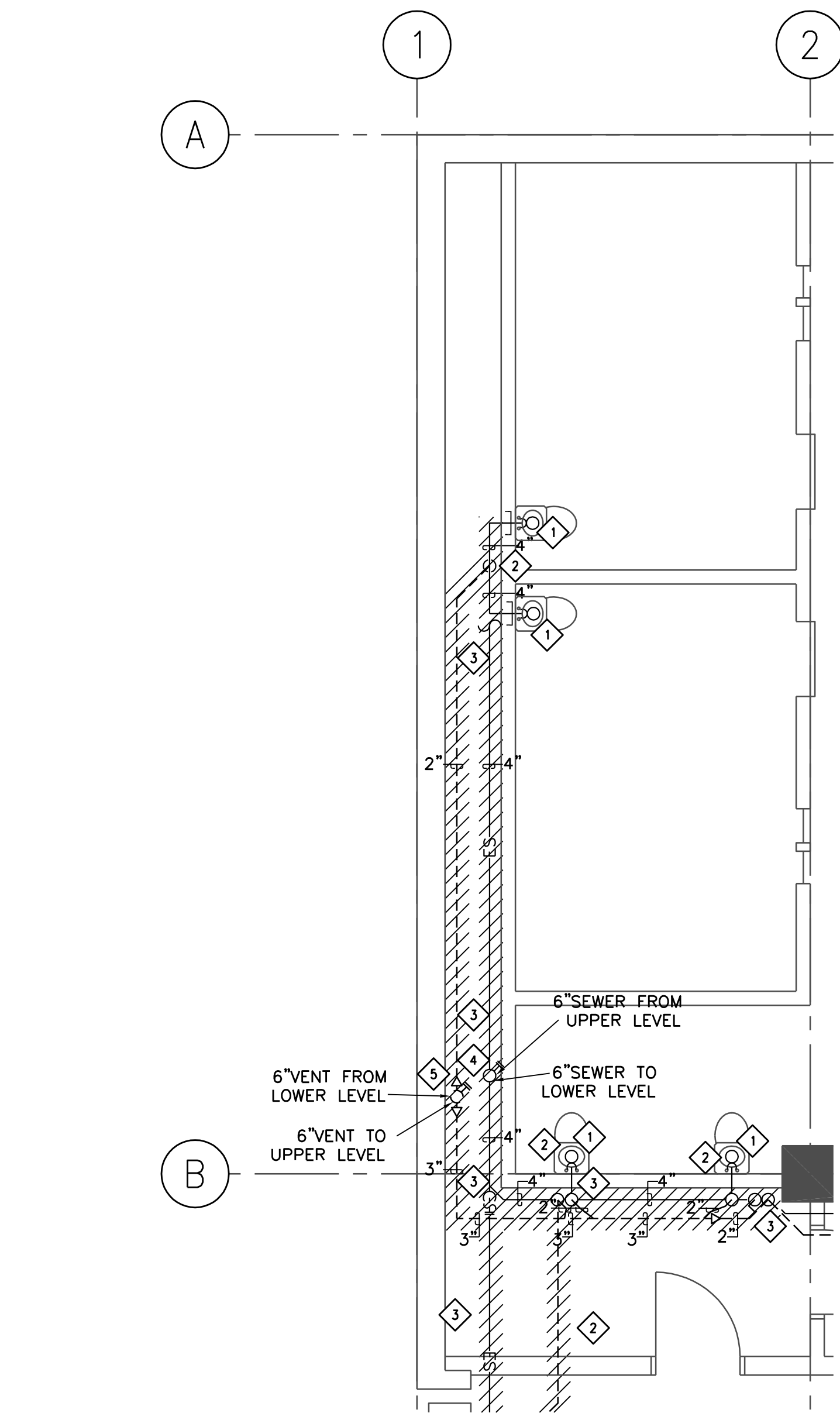
Rev.#	Date	Description
1		ETC
2		ETC
3		ETC

EMC ENGINEERS
 2311 E. BUSINESS AVENUE SUITE 100
 EL PASO, TEXAS 79901
 TEL: 915-781-2000
 FAX: 915-781-2002
 WWW.EMCENGINEERS.COM
 TEXAS FIRM REG. #24911
 EMC PROJECT #2108022



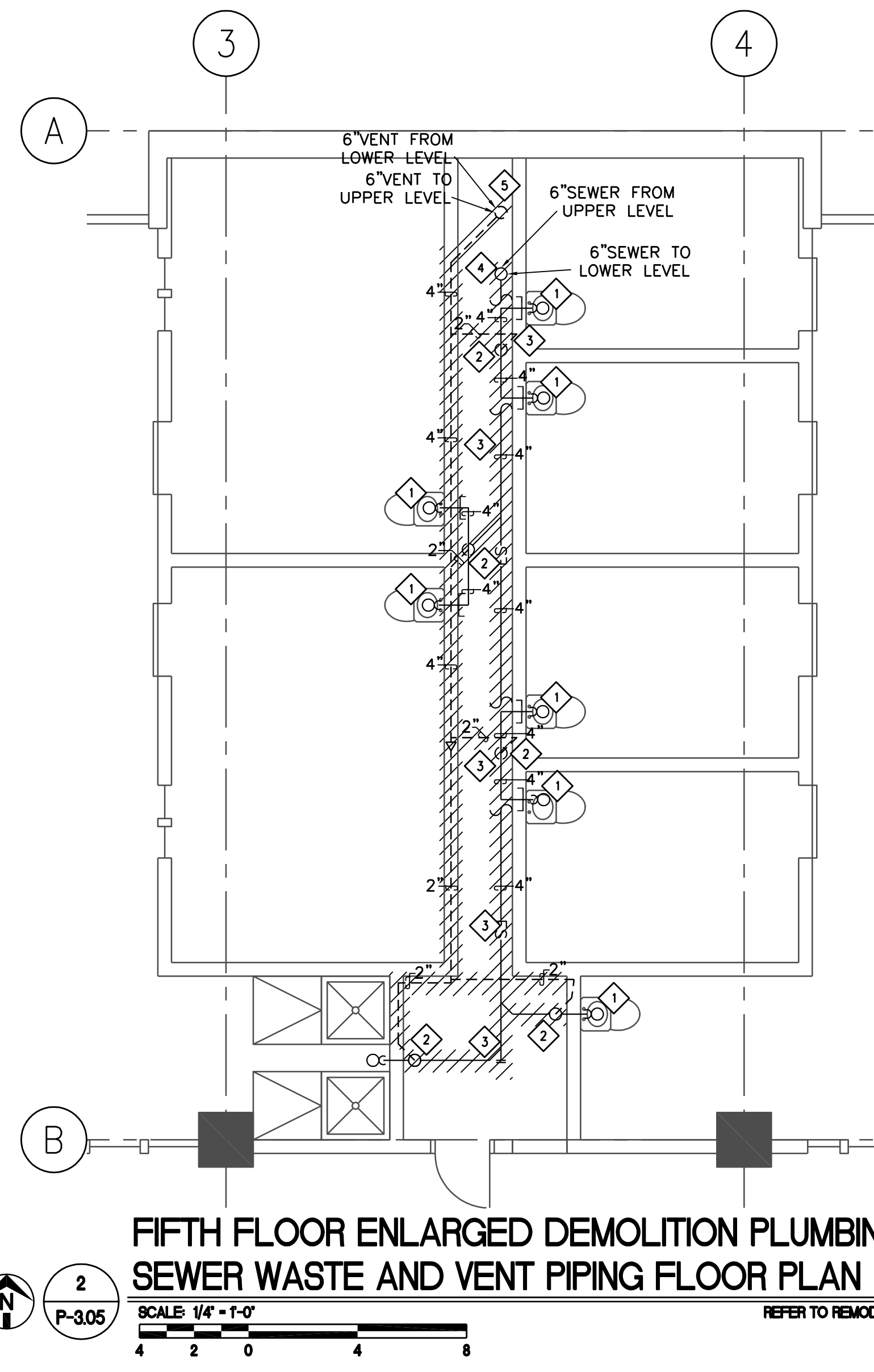


THE SEAL APPEARING ON THIS DOCUMENT WAS AUTHORIZED BY MELVIN G. GLASS, P.E. #64935 OF EMC ENGINEERS (TEXAS FIRM REG. #24911) ON JANUARY 28, 2022. ALTERATION OF A SEALED DOCUMENT WITHOUT PROPER NOTIFICATION TO THE RESPONSIBLE ENGINEER IS AN OFFENSE UNDER THE TEXAS ENGINEERING PRACTICE ACT.



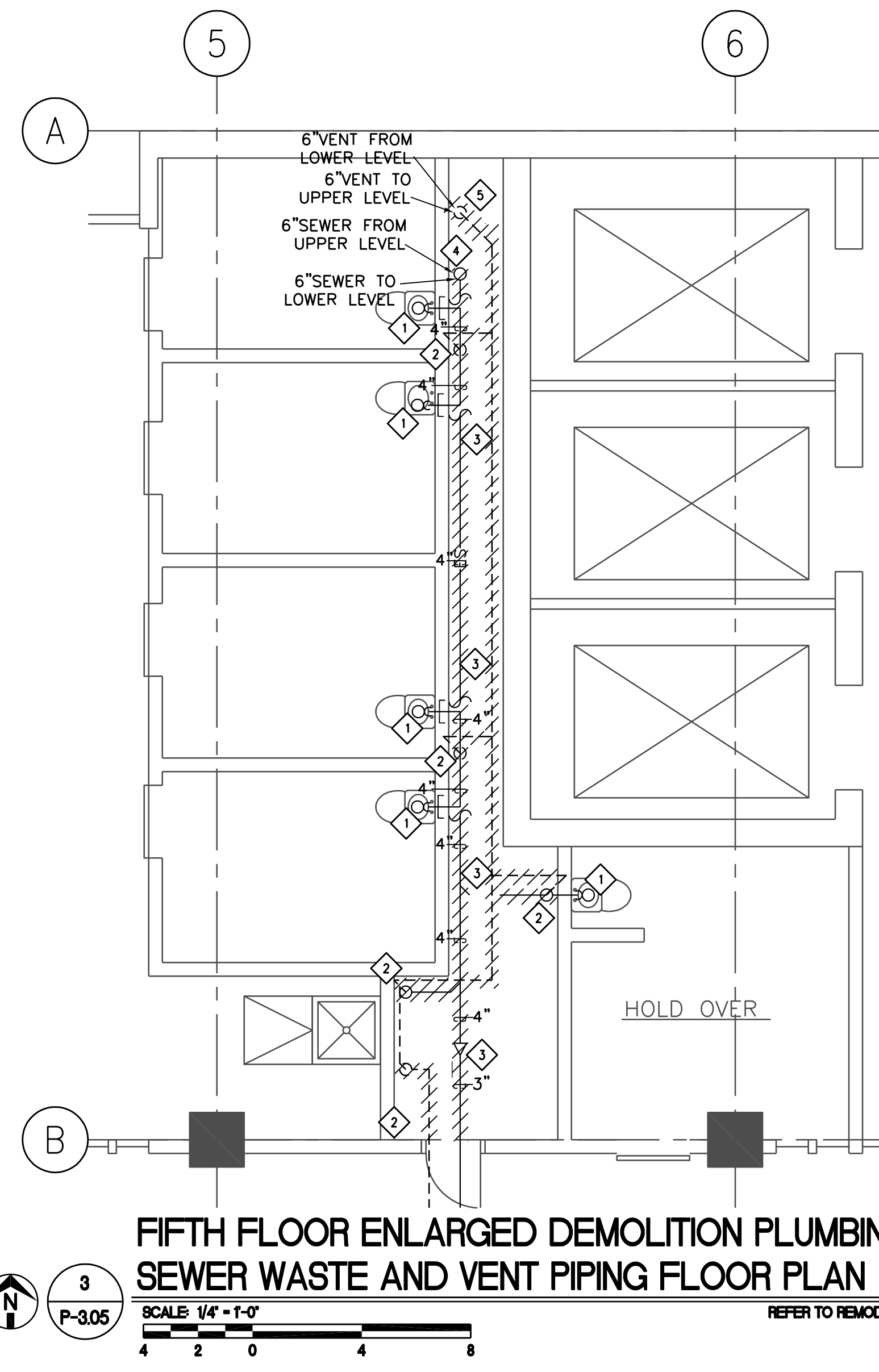
FIFTH FLOOR ENLARGED DEMOLITION PLUMBING SEWER WASTE AND VENT PIPING FLOOR PLAN

1 P-3.05 SCALE 1/4" = 1'-0" REFER TO REMODEL PLAN 1/P-511



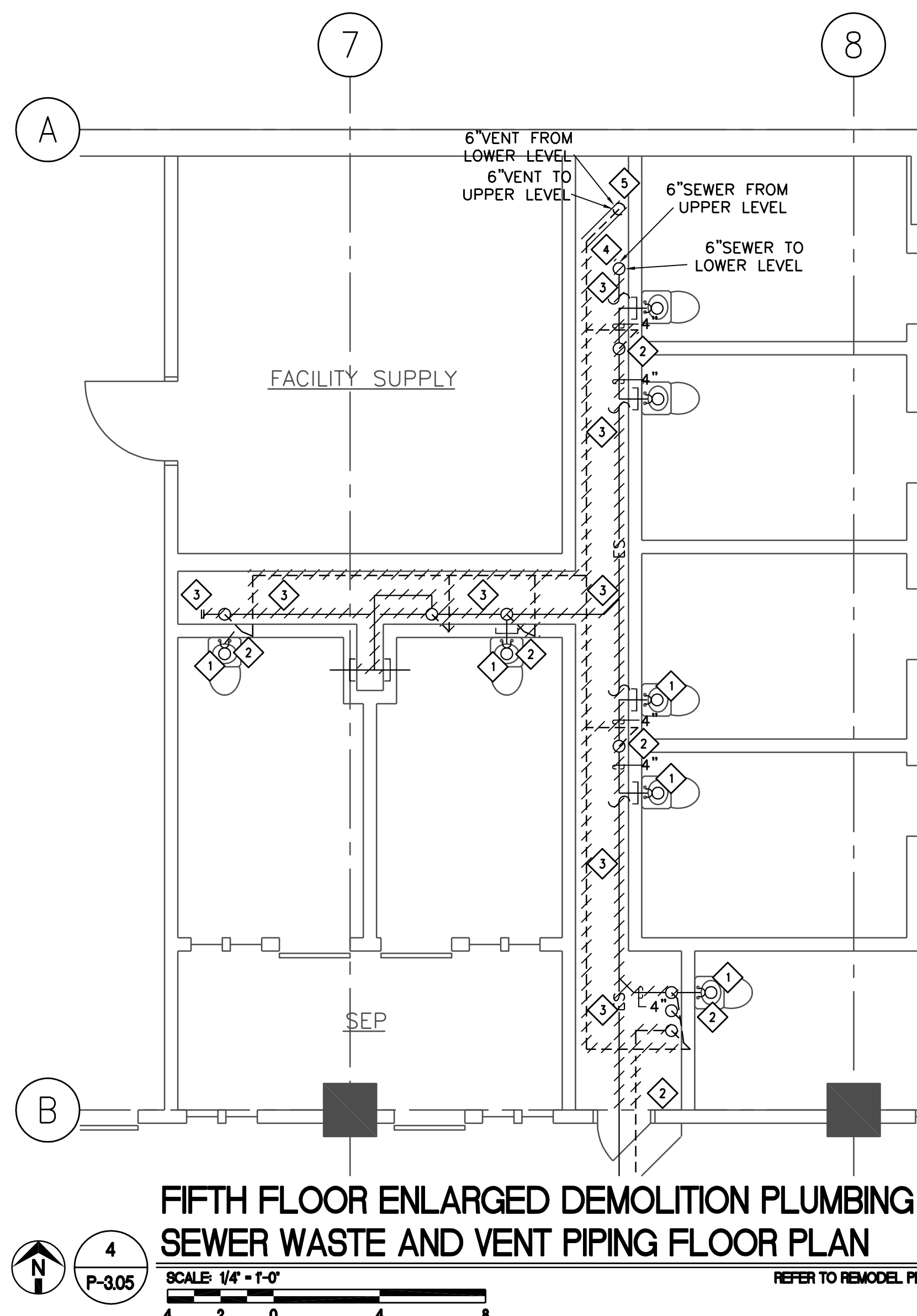
FIFTH FLOOR ENLARGED DEMOLITION PLUMBING SEWER WASTE AND VENT PIPING FLOOR PLAN

2 P-3.05 SCALE 1/4" = 1'-0" REFER TO REMODEL PLAN 2/P-511



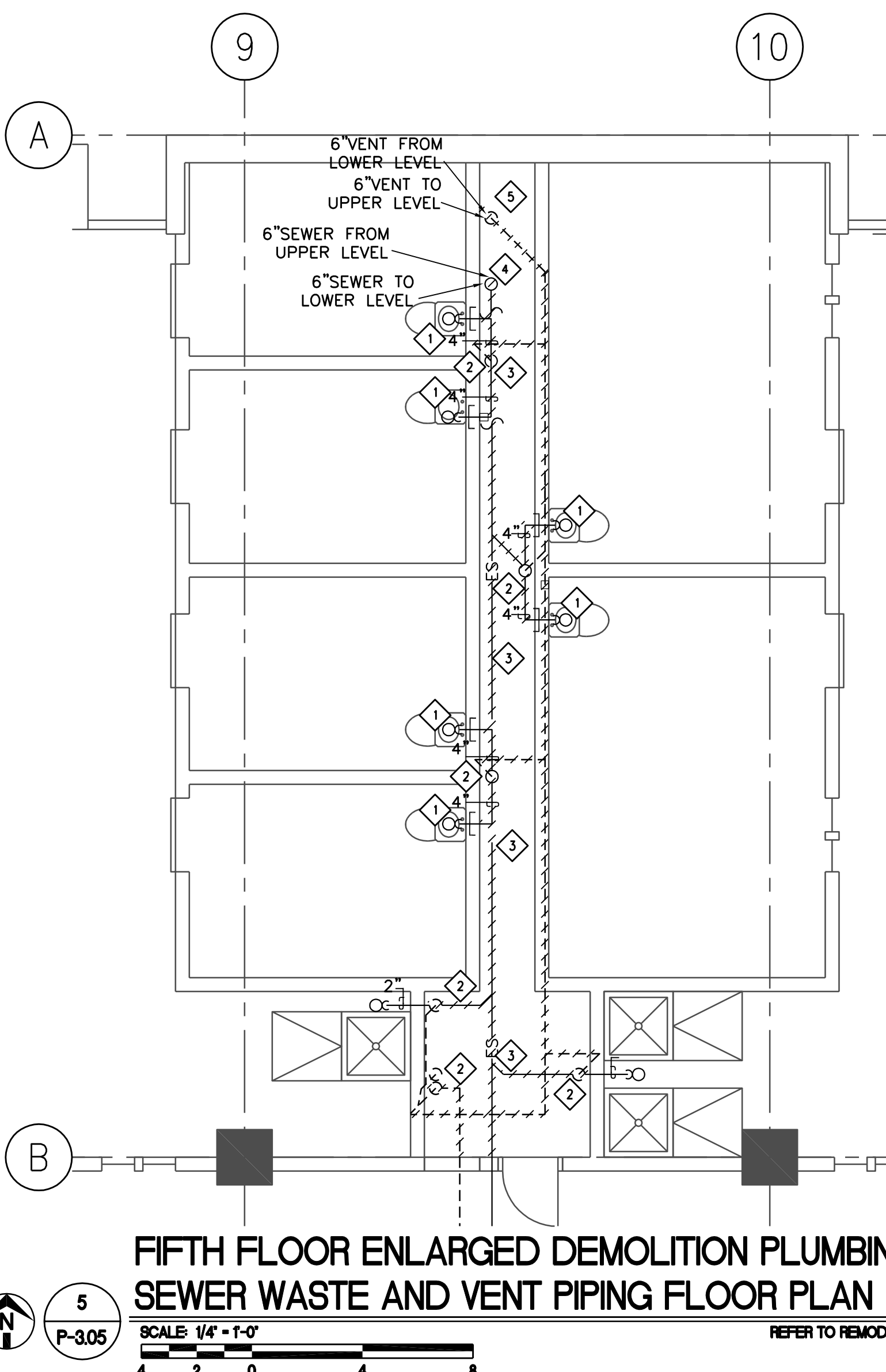
FIFTH FLOOR ENLARGED DEMOLITION PLUMBING SEWER WASTE AND VENT PIPING FLOOR PLAN

3 P-3.05 SCALE 1/4" = 1'-0" REFER TO REMODEL PLAN 3/P-511



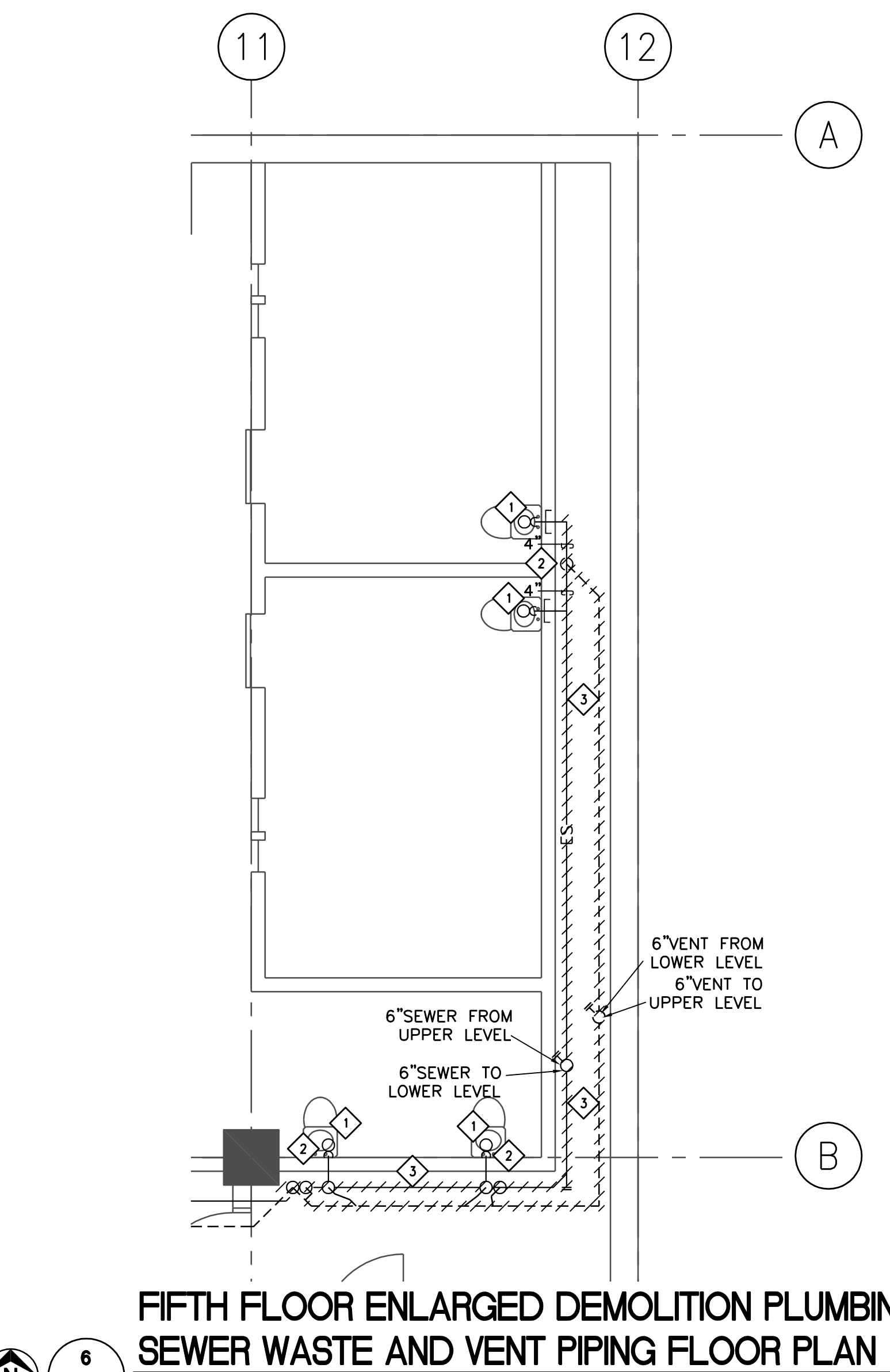
FIFTH FLOOR ENLARGED DEMOLITION PLUMBING SEWER WASTE AND VENT PIPING FLOOR PLAN

4 P-3.05 SCALE 1/4" = 1'-0" REFER TO REMODEL PLAN 4/P-512



FIFTH FLOOR ENLARGED DEMOLITION PLUMBING SEWER WASTE AND VENT PIPING FLOOR PLAN

5 P-3.05 SCALE 1/4" = 1'-0" REFER TO REMODEL PLAN 5/P-512



FIFTH FLOOR ENLARGED DEMOLITION PLUMBING SEWER WASTE AND VENT PIPING FLOOR PLAN

6 P-3.05 SCALE 1/4" = 1'-0" REFER TO REMODEL PLAN 6/P-512

DEMOLITION PLUMBING GENERAL NOTES:

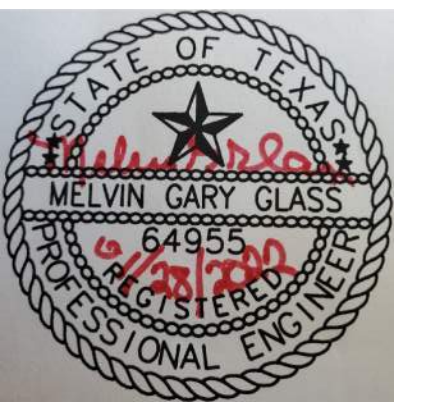
- 1 THE INTENT OF THE DEMOLITION AND REPLACEMENT OF THE SEWER AND VENTING SYSTEMS FOR THE FACILITY. THIS FACILITY IS A 24/7 SECURED OPERATION FACILITY. SO THE CONTRACTOR SHALL COORDINATE ALL DEMOLITION AND REMODEL WORK WITH THE DETENTION PERSONNEL.
- 2 DEMOLITION SEWER AND VENT WORK SHOWN HATCHED, EXISTING WORK TO REMAIN IS UNHATCHED.
- 3 SOME PLUMBING CHASES CONTAIN MECHANICAL DUCTWORK, THE CONTRACTOR SHALL COORDINATE THE REMOVAL OF EXISTING SEWER AND VENT PIPING WITH THIS DUCTWORK.

DEMOLITION PLUMBING KEYED NOTES:

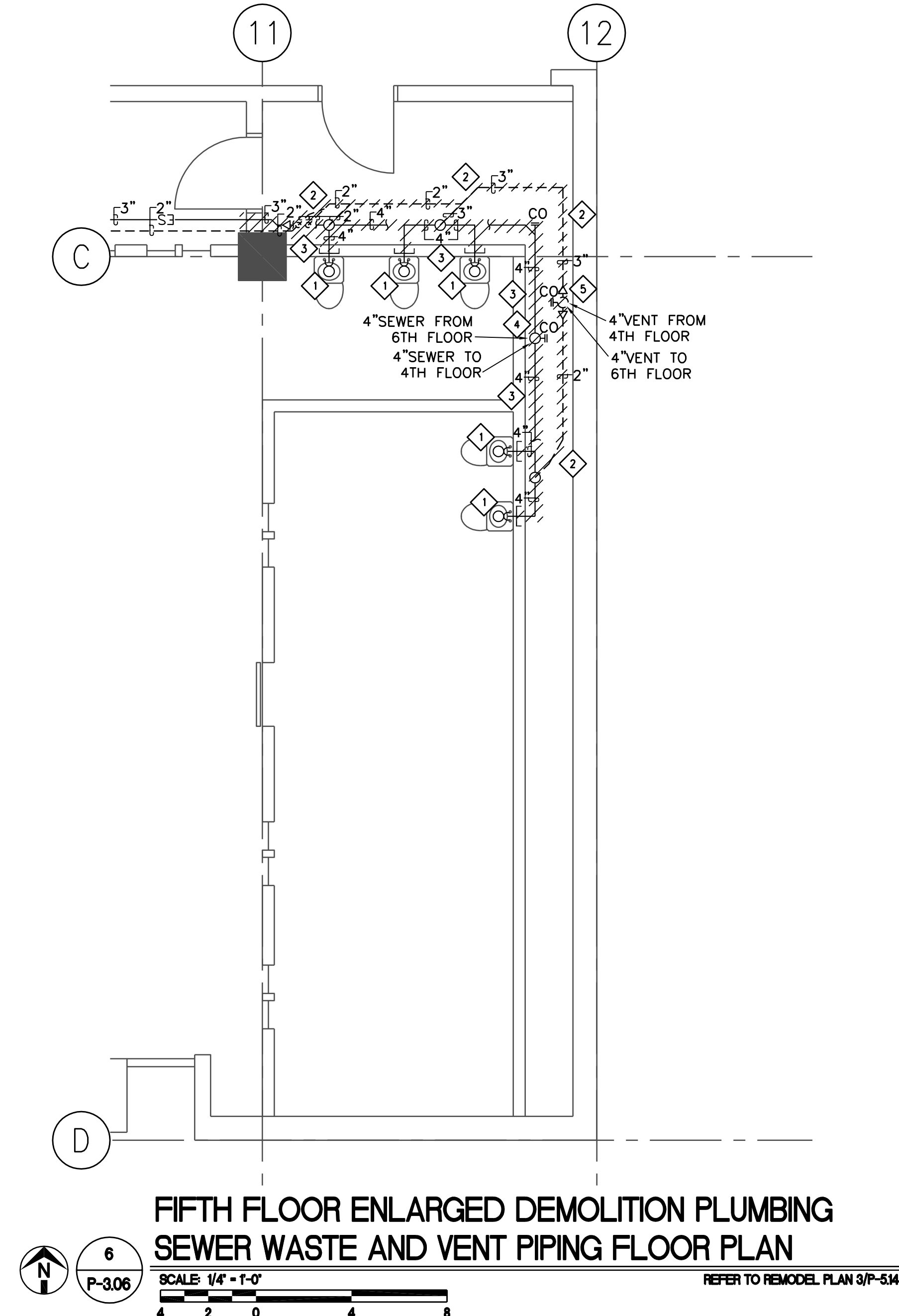
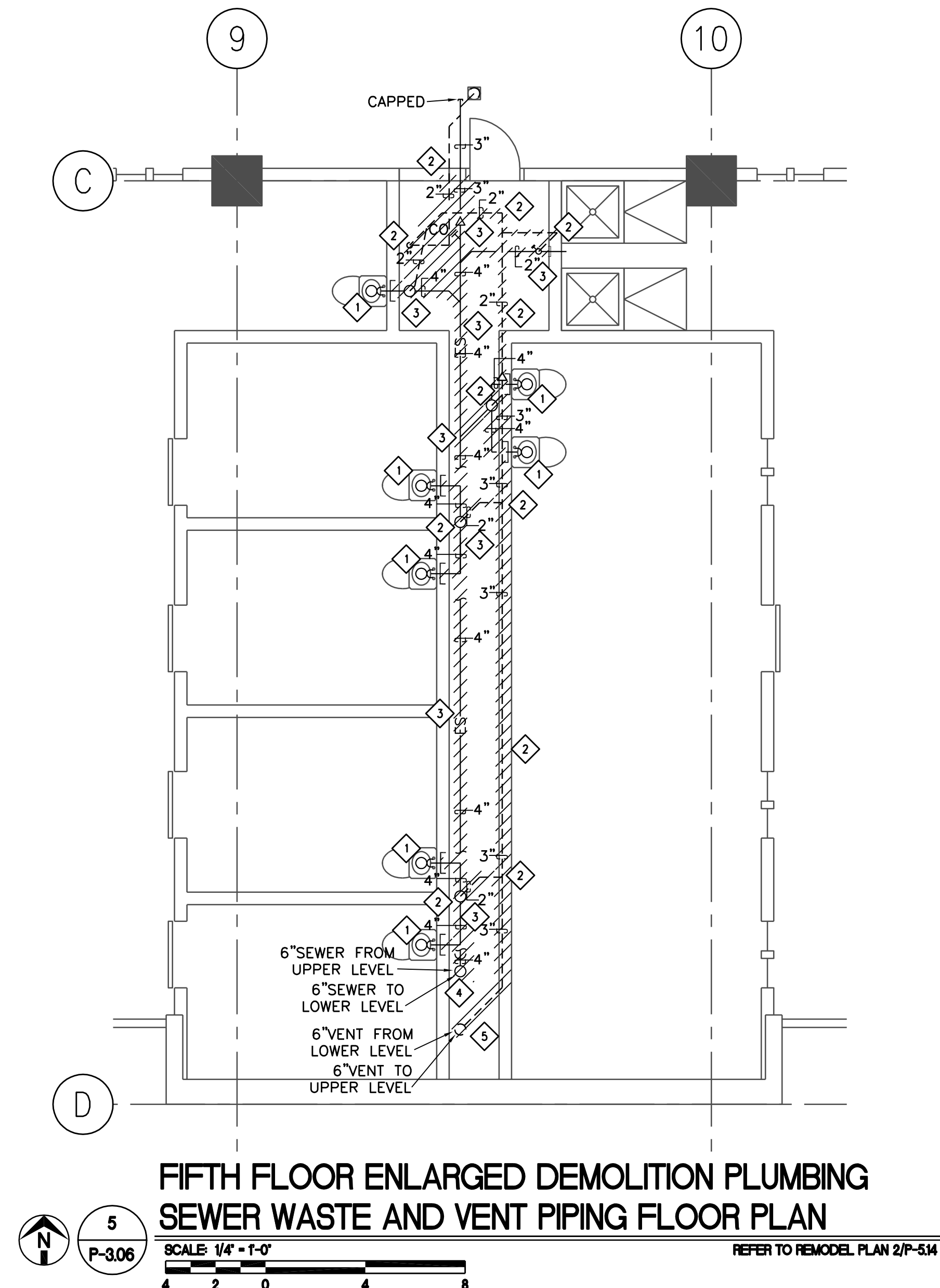
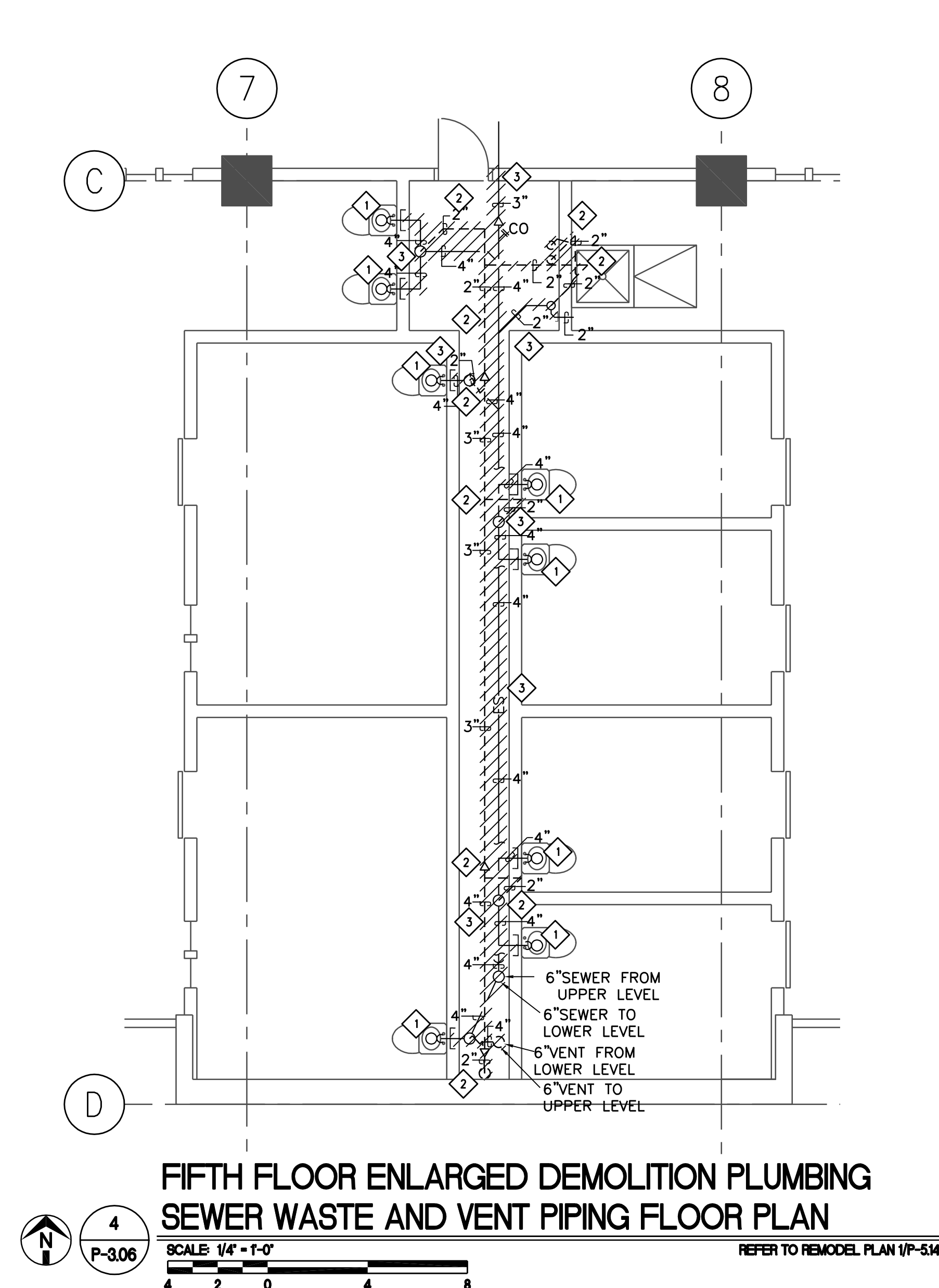
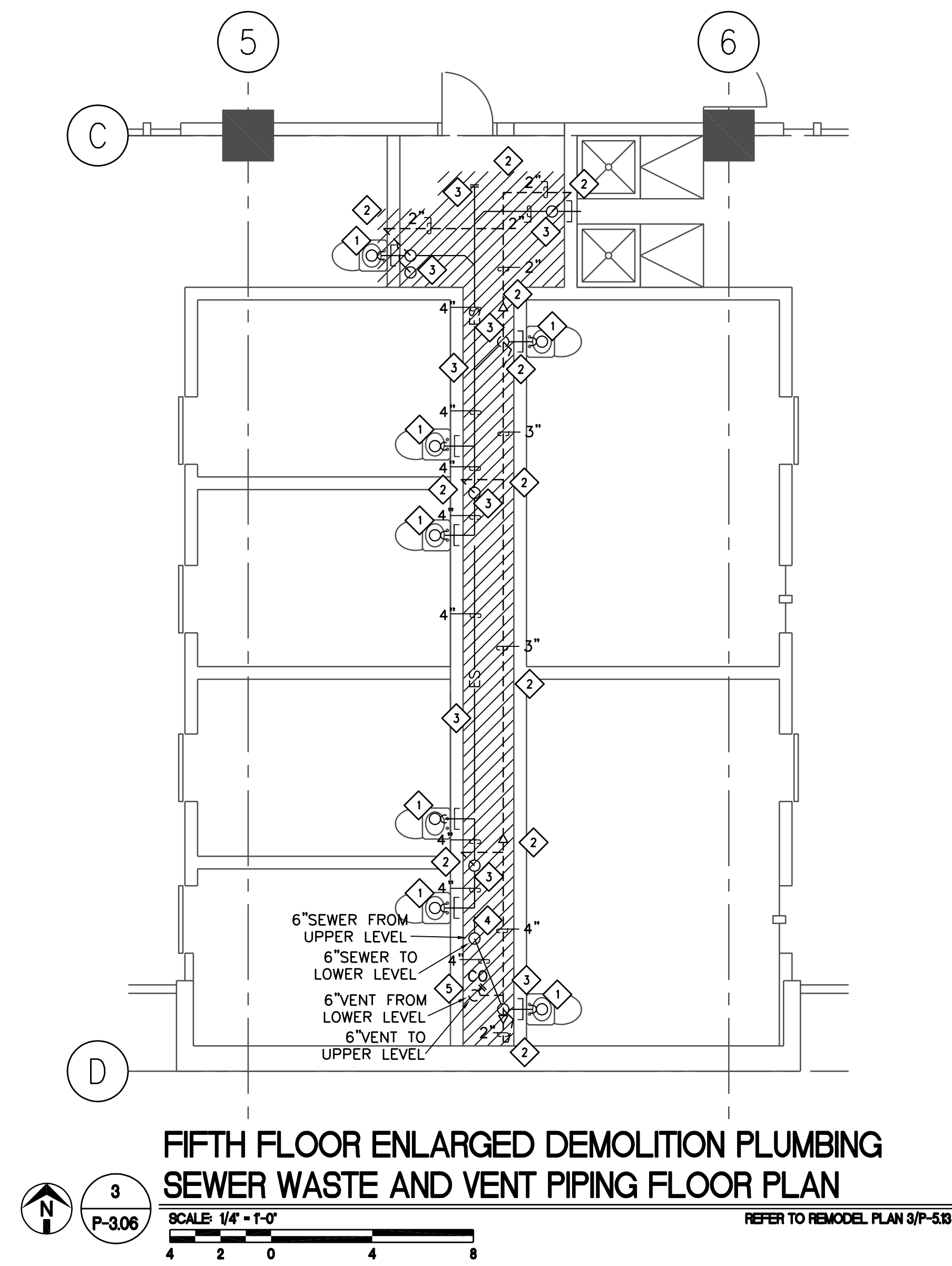
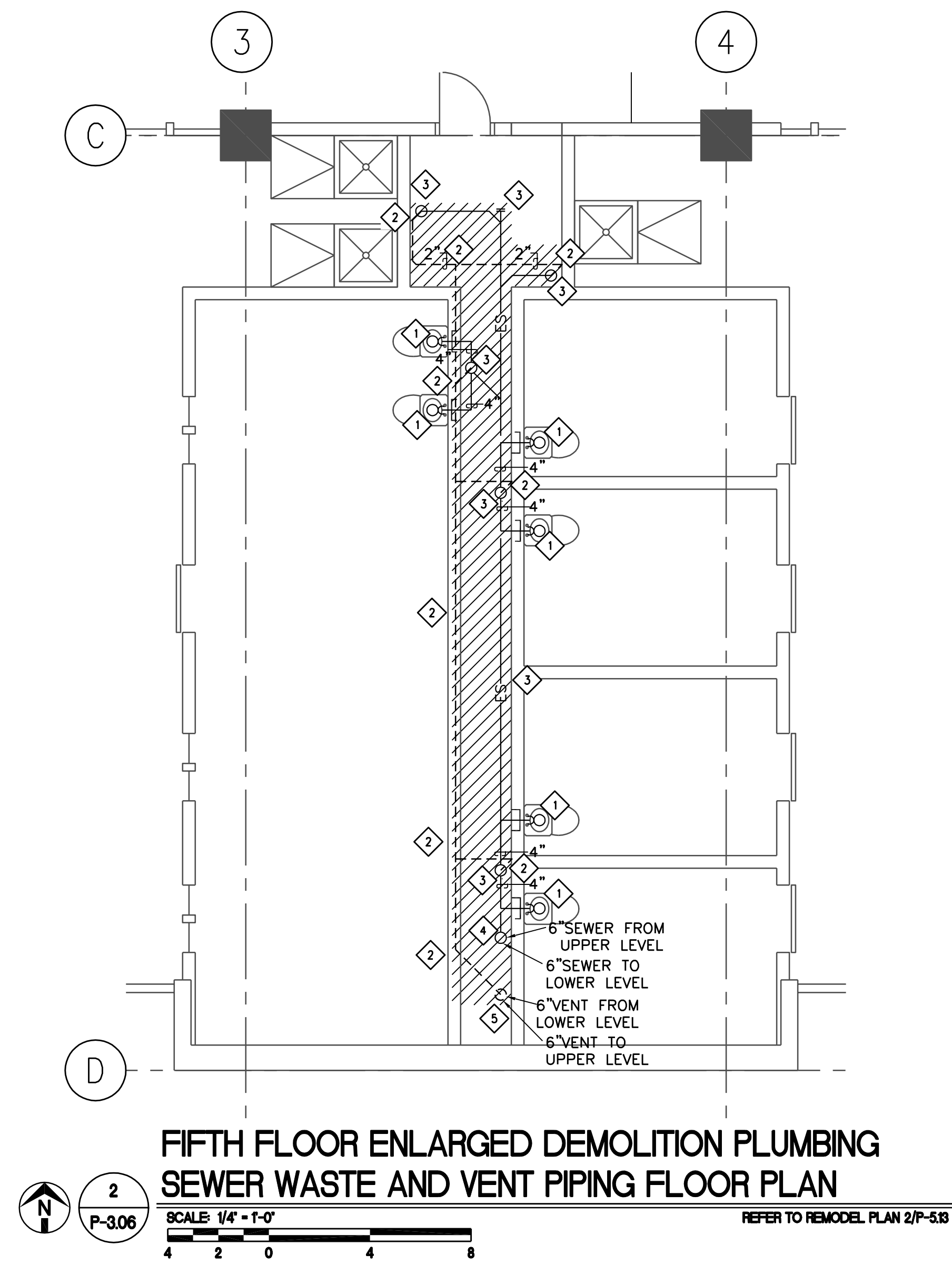
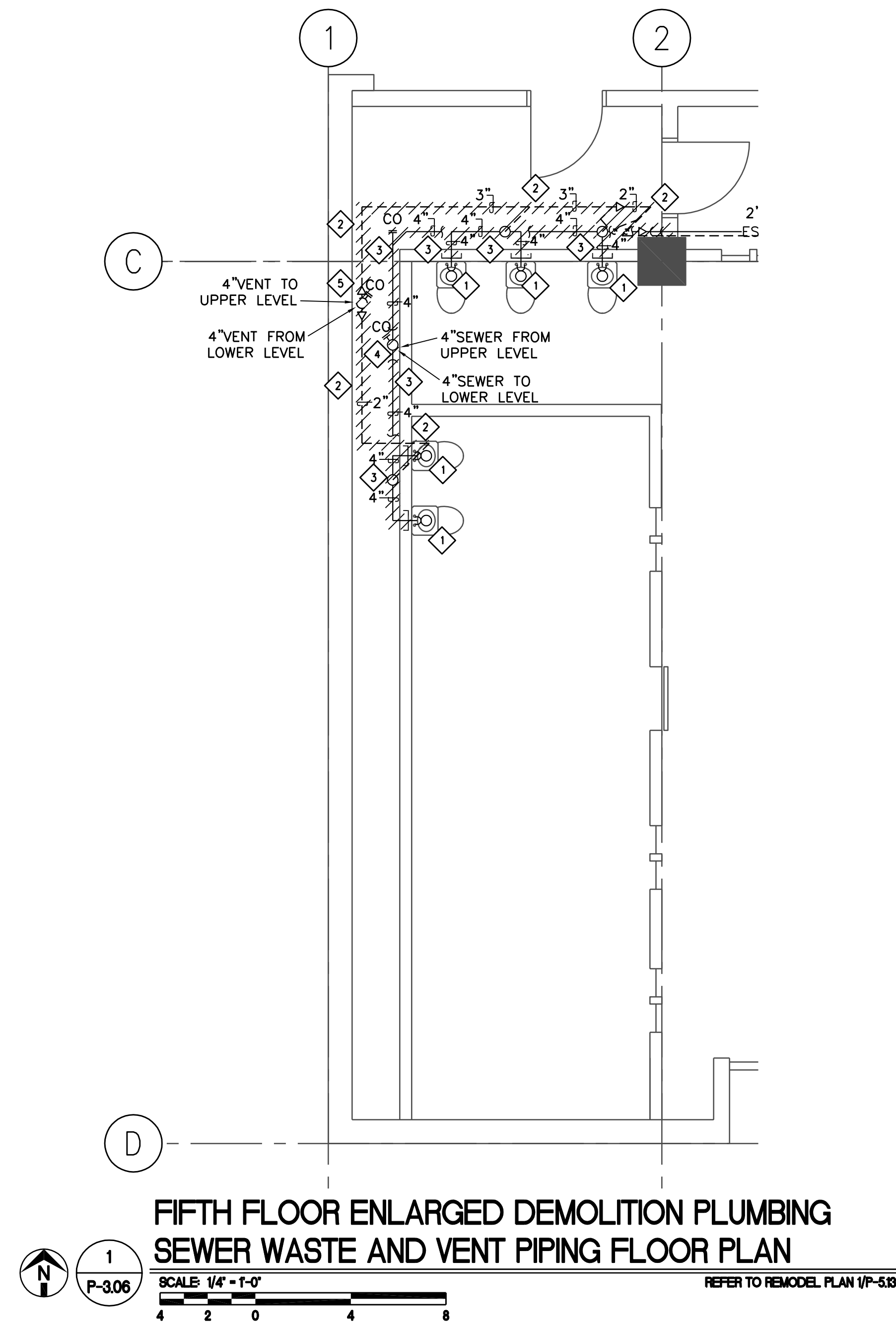
- 1 EXISTING SEWER FROM THE CELL WATERCLOSET/SINK COMBO IS TO BE REMOVED FROM THE FIXTURE CONNECTION TO THE FLOOR PENETRATION, REFER TO REMODEL DRAWINGS P-5.XX AS NOTED ON PLAN FOR FURTHER INFORMATION.
- 2 EXISTING VENT PIPING IN CHASE TO BE REMOVED AND REPLACED REFER TO REMODEL DRAWINGS P-5.XX AS NOTED ON PLAN FOR FURTHER INFORMATION.
- 3 EXISTING SEWER PIPING IN CHASE BE REMOVED AND REPLACED, REFER TO REMODEL DRAWINGS P-5.XX AS NOTED ON PLAN FOR FURTHER INFORMATION.
- 4 EXISTING SEWER MAIN RISER TO BE REMOVED AND REPLACED, REFER TO REMODEL DRAWINGS P-5.XX AS NOTED ON PLAN FOR FURTHER INFORMATION.
- 5 EXISTING VENT MAIN RISER TO BE REMOVED AND REPLACED, REFER TO REMODEL DRAWINGS P-5.XX AS NOTED ON PLAN FOR FURTHER INFORMATION.

Project:	UPGRADE AND REPLACE THE SANITARY SEWER SYSTEM AT THE EL PASO COUNTY DETENTION FACILITY
Location:	601 E OVERLAND STREET EL PASO, TEXAS
Job Number:	ETC-2108022
Date:	11/23/2021
Scale:	AS SHOWN
Sheet:	P-3.05
25 of: X	

THIS DOCUMENT, WHETHER IN HARD COPY OR MACHINE READABLE FORMAT, IS COPYRIGHTED AND AN INSTRUMENT OF SERVICES IN RESPECT TO THE PROJECT FOR WHICH IT WAS PREPARED. THIS DOCUMENT IS NOT INTENDED OR AUTHORIZED FOR REUSE BY ANY PARTY ON EXTENSIONS OF SUCH PROJECT OR ANY OTHER PROJECT. ANY REUSE, INCLUDING COPYING AND/OR MODIFYING THE DOCUMENT, WITHOUT WRITTEN PERMISSION FROM EMC ENGINEERS FOR THE SPECIFIC PURPOSE INTENDED IS A VIOLATION OF FEDERAL COPYRIGHT LAW. UNAUTHORIZED USE OF THIS MATERIAL MAY RESULT IN CIVIL AND/OR CRIMINAL PENALTIES. COPY RIGHT 2013 EMC ENGINEERS.



THE SEAL APPEARING ON THIS DOCUMENT WAS AUTHORIZED BY MELVIN G. GLASS, P.E. #64935 OF EMC ENGINEERS (TEAMS FIRM REG. #24991) ON JANUARY 28, 2022. ALTERATION OF A SEALED DOCUMENT WITHOUT PROPER NOTIFICATION TO THE RESPONSIBLE ENGINEER IS AN OFFENSE UNDER THE TEXAS ENGINEERING PRACTICE ACT.



DEMOLITION PLUMBING GENERAL NOTES:

- 1 THE INTENT OF THE DEMOLITION AND REPLACEMENT OF THE SEWER AND VENTING SYSTEMS FOR THE FACILITY. THIS FACILITY IS A 24/7 SECURED OPERATION FACILITY. SO THE CONTRACTOR SHALL COORDINATE ALL DEMOLITION AND REMODEL WORK WITH THE DETENTION PERSONNEL.
- 2 DEMOLITION SEWER AND VENT WORK SHOWN HATCHED, EXISTING WORK TO REMAIN IS UNHATCHED.
- 3 SOME PLUMBING CHASES CONTAIN MECHANICAL DUCTWORK, THE CONTRACTOR SHALL COORDINATE THE REMOVAL OF EXISTING SEWER AND VENT PIPING WITH THIS DUCTWORK.

DEMOLITION PLUMBING KEYED NOTES:

- 1 EXISTING SEWER FROM THE CELL WATERCLOSET/SINK COMBO IS TO BE REMOVED FROM THE FIXTURE CONNECTION TO THE FLOOR PENETRATION, REFER TO REMODEL DRAWINGS P-5.xx AS NOTED ON PLAN FOR FURTHER INFORMATION.
- 2 EXISTING VENT PIPING IN CHASE TO BE REMOVED AND REPLACED REFER TO REMODEL DRAWINGS P-5.xx AS NOTED ON PLAN FOR FURTHER INFORMATION.
- 3 EXISTING SEWER PIPING IN CHASE BE REMOVED AND REPLACED, REFER TO REMODEL DRAWINGS P-5.xx AS NOTED ON PLAN FOR FURTHER INFORMATION.
- 4 EXISTING SEWER MAIN RISER TO BE REMOVED AND REPLACED, REFER TO REMODEL DRAWINGS P-5.xx AS NOTED ON PLAN FOR FURTHER INFORMATION.
- 5 EXISTING VENT MAIN RISER TO BE REMOVED AND REPLACED, REFER TO REMODEL DRAWINGS P-5.xx AS NOTED ON PLAN FOR FURTHER INFORMATION.

THIS DOCUMENT, WHETHER IN HARD COPY OR MACHINE READABLE FORMAT, IS COPYRIGHTED AND AN INSTRUMENT OF SERVICES IN RESPECT TO THE PROJECT FOR WHICH IT WAS PREPARED. THIS DOCUMENT IS NOT INTENDED OR AUTHORIZED FOR REUSE BY ANY PARTY ON EXTENSIONS OF SUCH PROJECT OR ANY OTHER PROJECT. ANY REUSE, INCLUDING COPYING AND/OR MODIFYING THE DOCUMENT, WITHOUT WRITTEN PERMISSION FROM EMC ENGINEERS FOR THE SPECIFIC PURPOSE INTENDED IS A VIOLATION OF FEDERAL COPYRIGHT LAW. UNAUTHORIZED USE OF THIS MATERIAL MAY RESULT IN CIVIL AND/OR CRIMINAL PENALTIES.
COPY RIGHT 2013 EMC ENGINEERS.

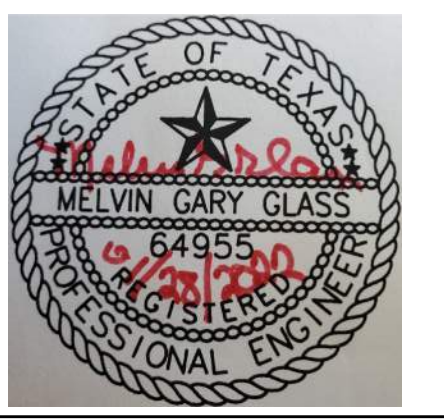
Project:	UPGRADE AND REPLACE THE SANITARY SEWER SYSTEM AT THE EL PASO COUNTY DETENTION FACILITY
Location:	601 E OVERLAND STREET EL PASO, TEXAS
Job Number:	ETC-2108022
Date:	11/23/2021
Scale:	A5 SHOWN
Sheet:	P-3.06
26 of:	X



Rev.#	Date	Initial	Description
1			ETC
2			ETC
3			ETC
4			ETC
5			ETC
6			ETC

EMC ENGINEERS
2311 E. BUSINESS AVENUE, SUITE 100
EL PASO, TEXAS 79901
TEL: 915-781-2000
FAX: 915-781-2001
WWW.EMCENG.COM
TEAS (TAM) REG. #4303
EMC PROJECT #2108022

Designed By: ETC
Drawn By: ETC
Checked By: ETC

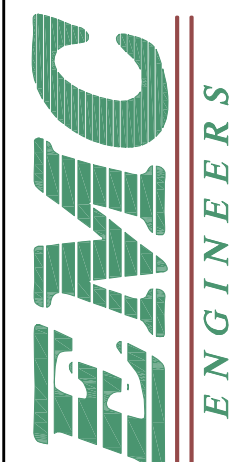


THE SEAL APPEARING ON THIS DOCUMENT WAS AUTHORIZED BY MELVIN G. GLASS, P.E. #64935 OF EMC ENGINEERS (TEAMS FIRM #E-27491) ON JANUARY 28, 2022. ALTERATION OF A SEALED DOCUMENT WITHOUT PROPER NOTIFICATION TO THE RESPONSIBLE ENGINEER IS AN OFFENSE UNDER THE TEXAS ENGINEERING PRACTICE ACT.

Project:	UPGRADE AND REPLACE THE SANITARY SEWER SYSTEM AT THE EL PASO COUNTY DETENTION FACILITY
Location:	601 E OVERLAND STREET EL PASO, TEXAS
Job Number:	ETC-2108022
Date:	11/23/2021
Scale:	AS SHOWN
Sheet:	P-3.07
27 of:	X

Rev.#	Date	Initial	Description
1			ETC
2			ETC
3			ETC

EMC ENGINEERS
2311 E. BUSINESS AVENUE, SUITE 100
EL PASO, TEXAS 79901
TEL: 915-781-2030
FAX: 915-781-2032
WWW.EMCENGINEERS.COM
EMC PROJECT #2108022

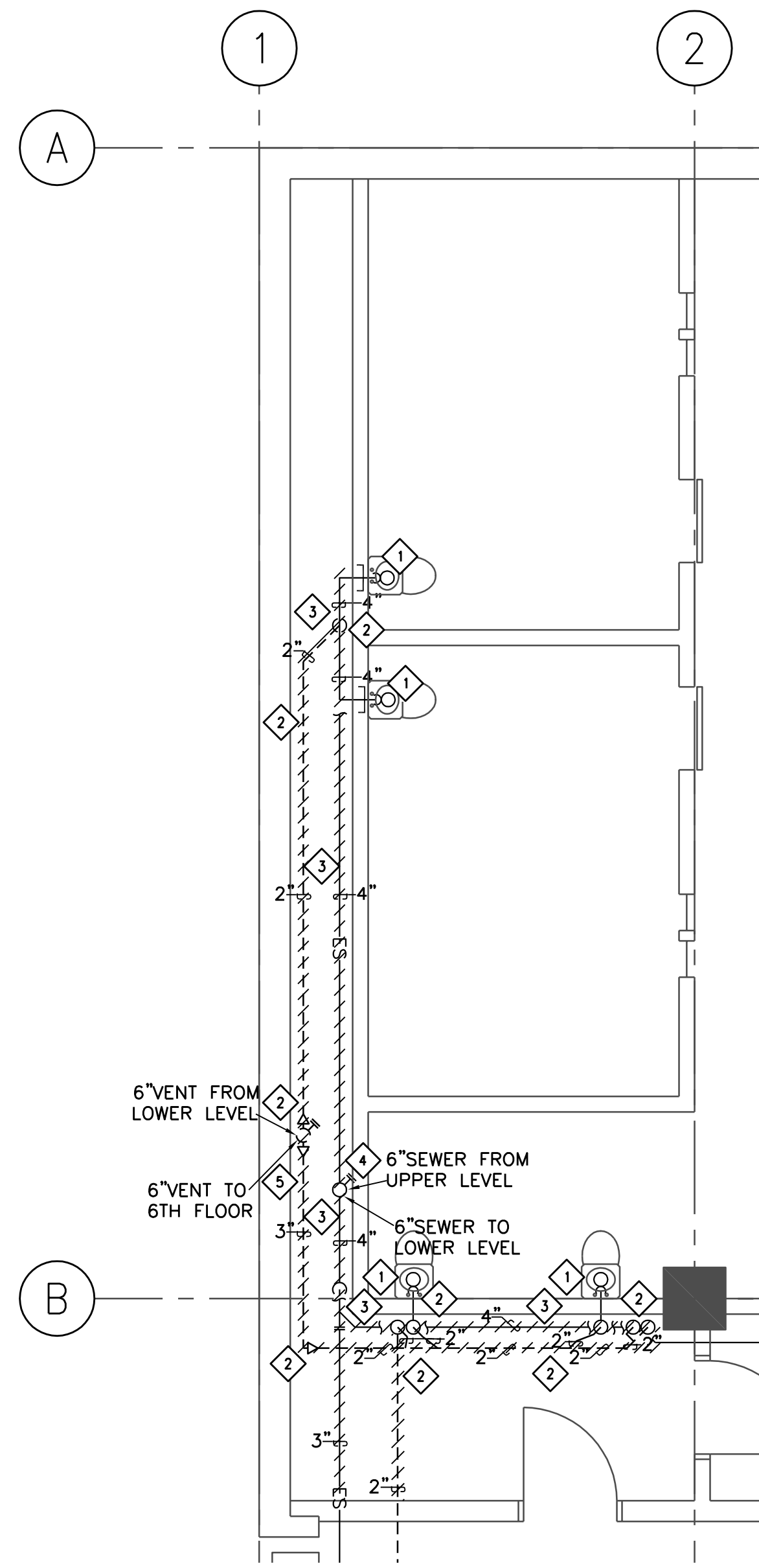


DEMOLITION PLUMBING GENERAL NOTES:

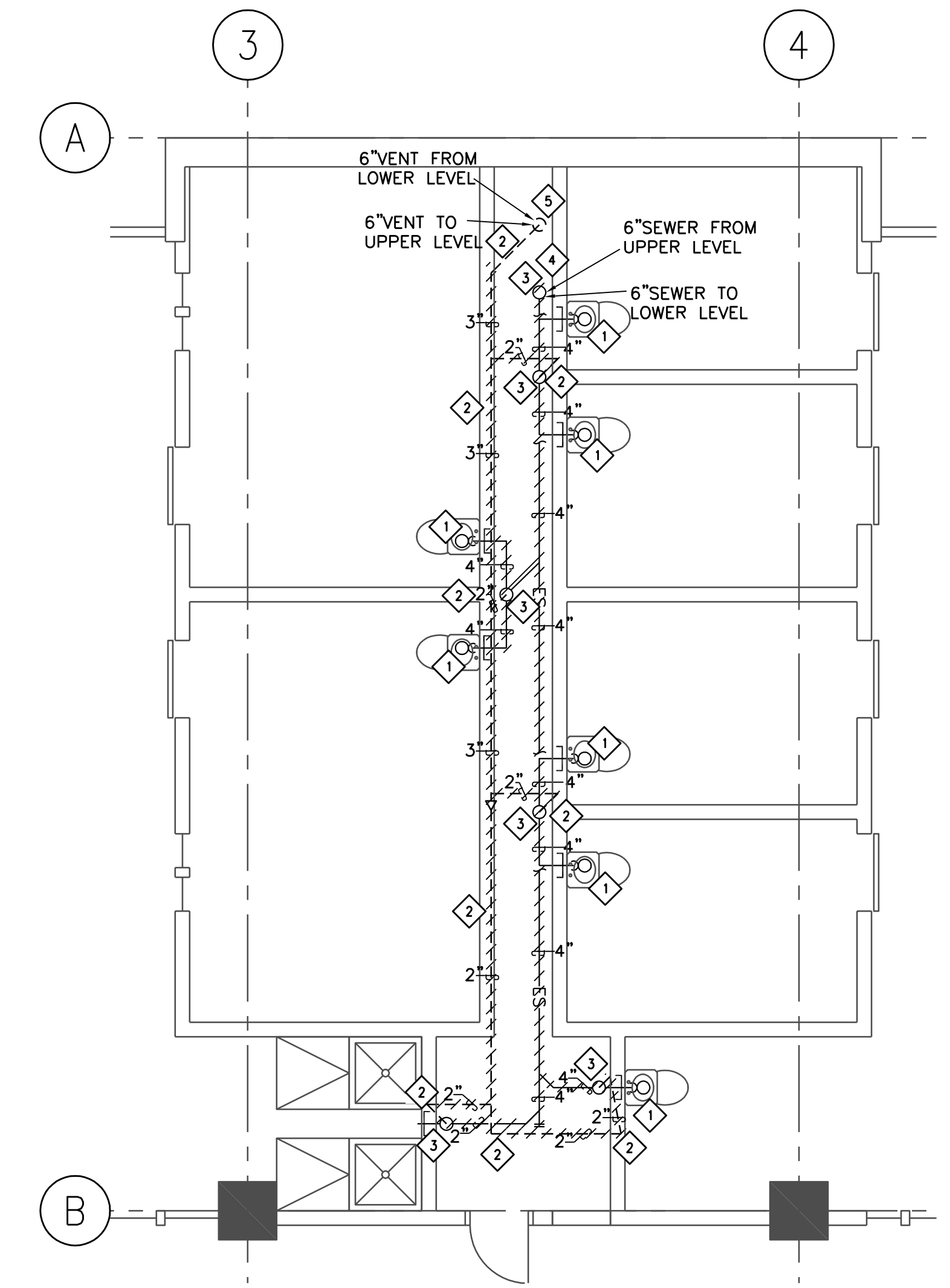
- 1 THE INTENT OF THE DEMOLITION AND REPLACEMENT OF THE SEWER AND VENTING SYSTEMS FOR THE FACILITY. THIS FACILITY IS A 24/7 SECURED OPERATION FACILITY. SO THE CONTRACTOR SHALL COORDINATE ALL DEMOLITION AND REMODEL WORK WITH THE DETENTION PERSONNEL.
- 2 DEMOLITION SEWER AND VENT WORK SHOWN HATCHED, EXISTING WORK TO REMAIN IS UNHATCHED.
- 3 SOME PLUMBING CHASES CONTAIN MECHANICAL DUCTWORK, THE CONTRACTOR SHALL COORDINATE THE REMOVAL OF EXISTING SEWER AND VENT PIPING WITH THIS DUCTWORK.

DEMOLITION PLUMBING KEYED NOTES:

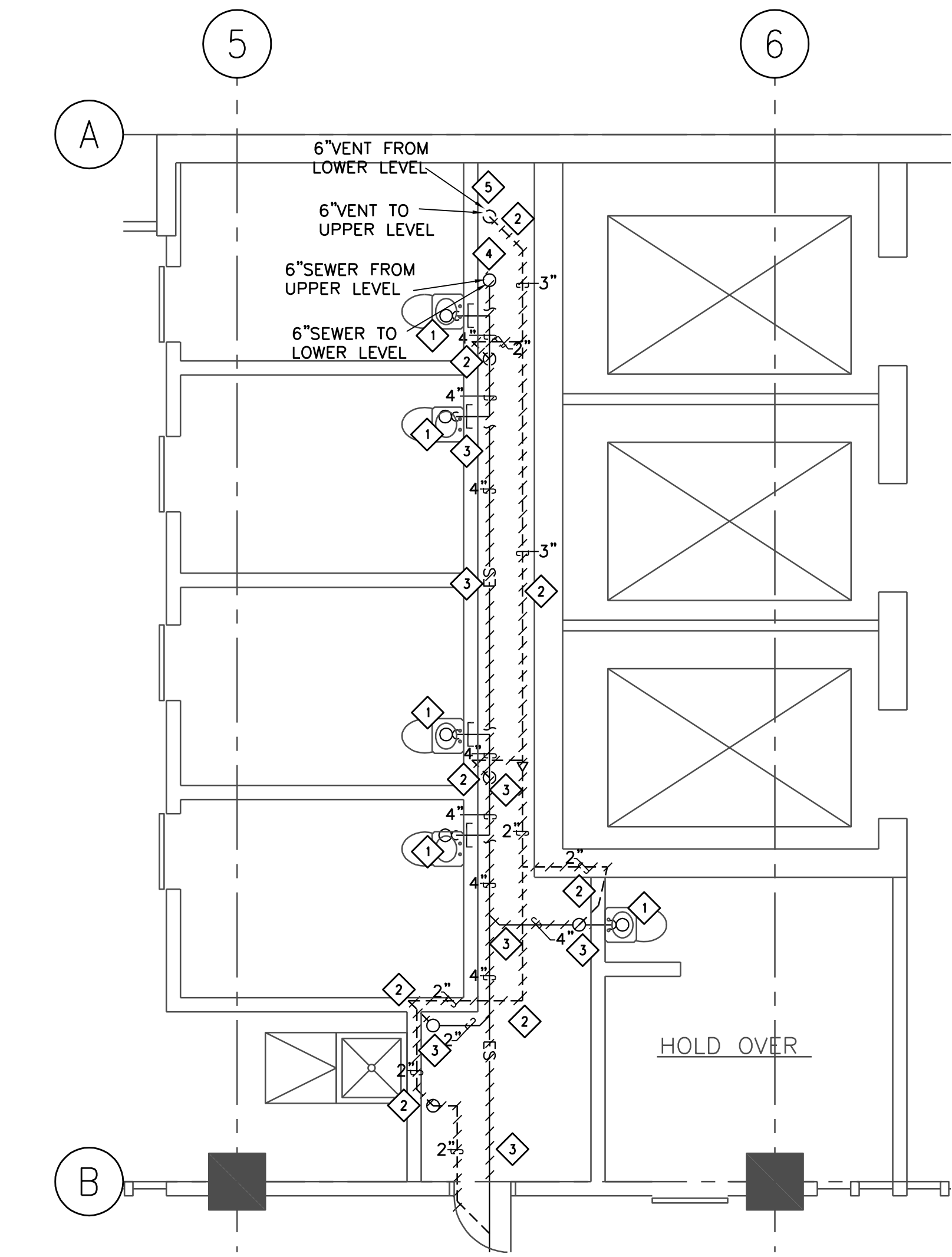
- 1 EXISTING SEWER FROM THE CELL WATERCLOSET/SINK COMBO IS TO BE REMOVED FROM THE FIXTURE CONNECTION TO THE FLOOR PENETRATION, REFER TO REMODEL DRAWINGS P-5.XX AS NOTED ON PLAN FOR FURTHER INFORMATION.
- 2 EXISTING VENT PIPING IN CHASE TO BE REMOVED AND REPLACED REFER TO REMODEL DRAWINGS P-5.XX AS NOTED ON PLAN FOR FURTHER INFORMATION.
- 3 EXISTING SEWER PIPING IN CHASE BE REMOVED AND REPLACED, REFER TO REMODEL DRAWINGS P-5.XX AS NOTED ON PLAN FOR FURTHER INFORMATION.
- 4 EXISTING SEWER MAIN RISER TO BE REMOVED AND REPLACED, REFER TO REMODEL DRAWINGS P-5.XX AS NOTED ON PLAN FOR FURTHER INFORMATION.
- 5 EXISTING VENT MAIN RISER TO BE REMOVED AND REPLACED, REFER TO REMODEL DRAWINGS P-5.XX AS NOTED ON PLAN FOR FURTHER INFORMATION.



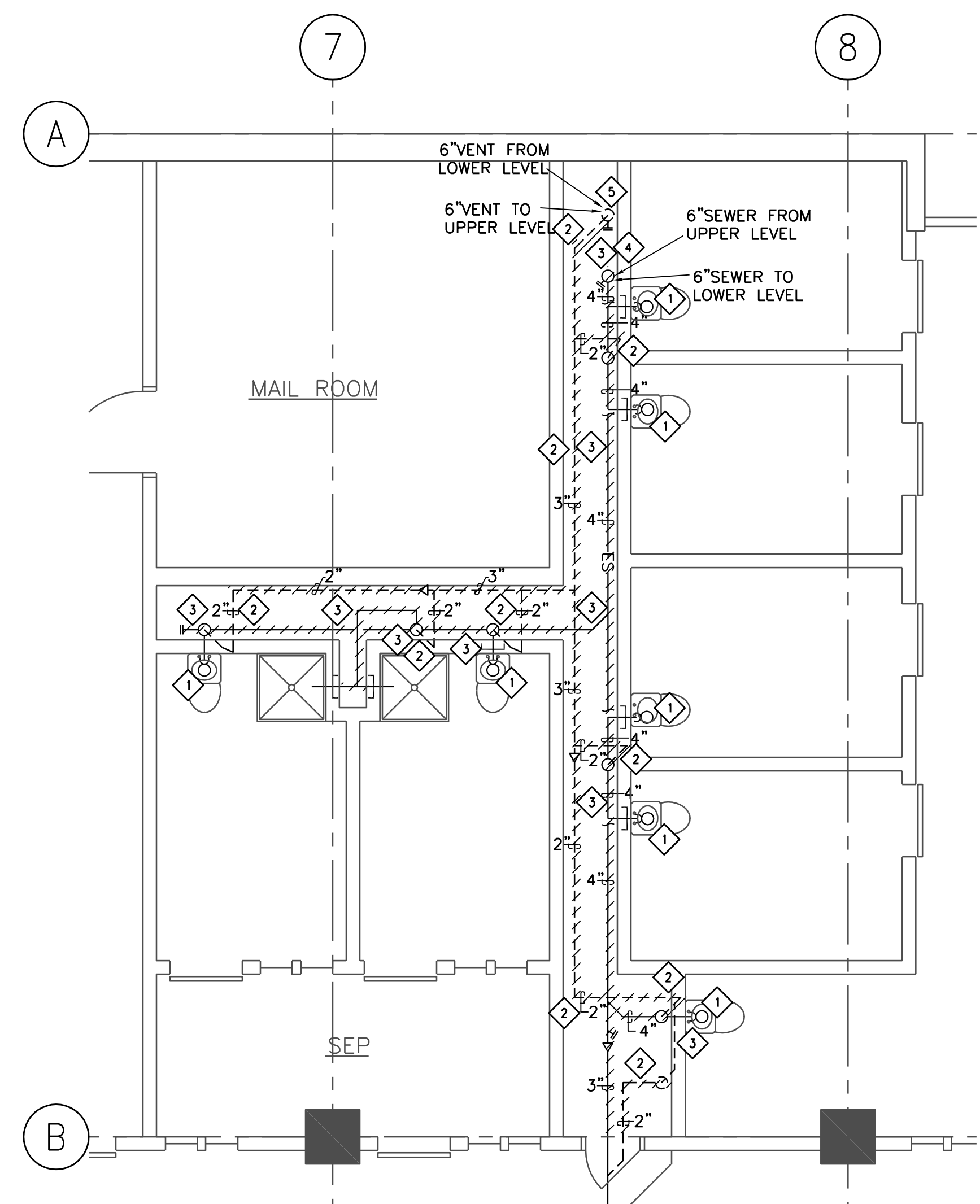
SIXTH FLOOR ENLARGED DEMOLITION PLUMBING SEWER WASTE AND VENT PIPING FLOOR PLAN
SCALE 1/4" = 1'-0"
REFER TO REMODEL PLAN 1/P-516



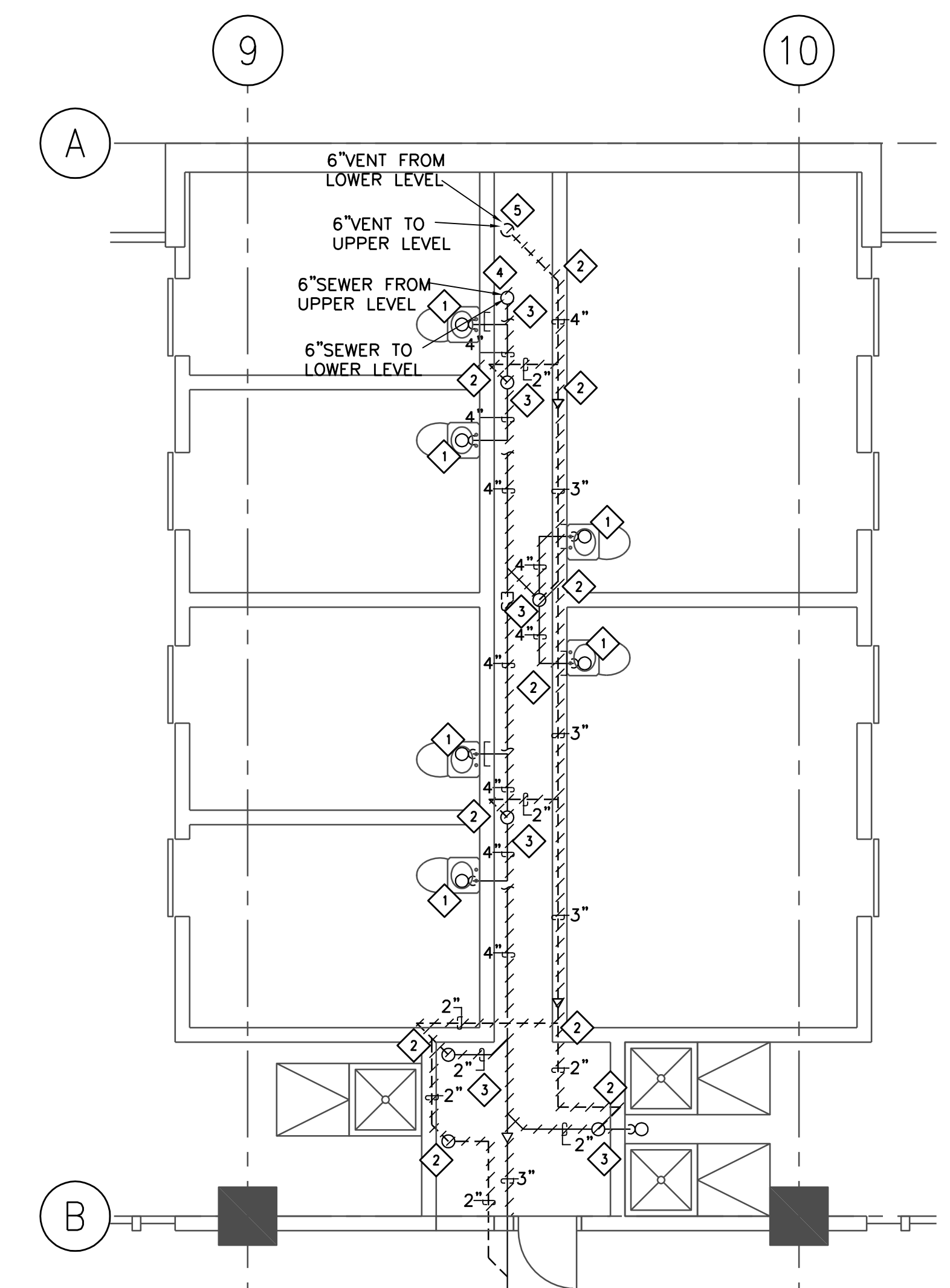
SIXTH FLOOR ENLARGED DEMOLITION PLUMBING SEWER WASTE AND VENT PIPING FLOOR PLAN
SCALE 1/4" = 1'-0"
REFER TO REMODEL PLAN 2/P-515



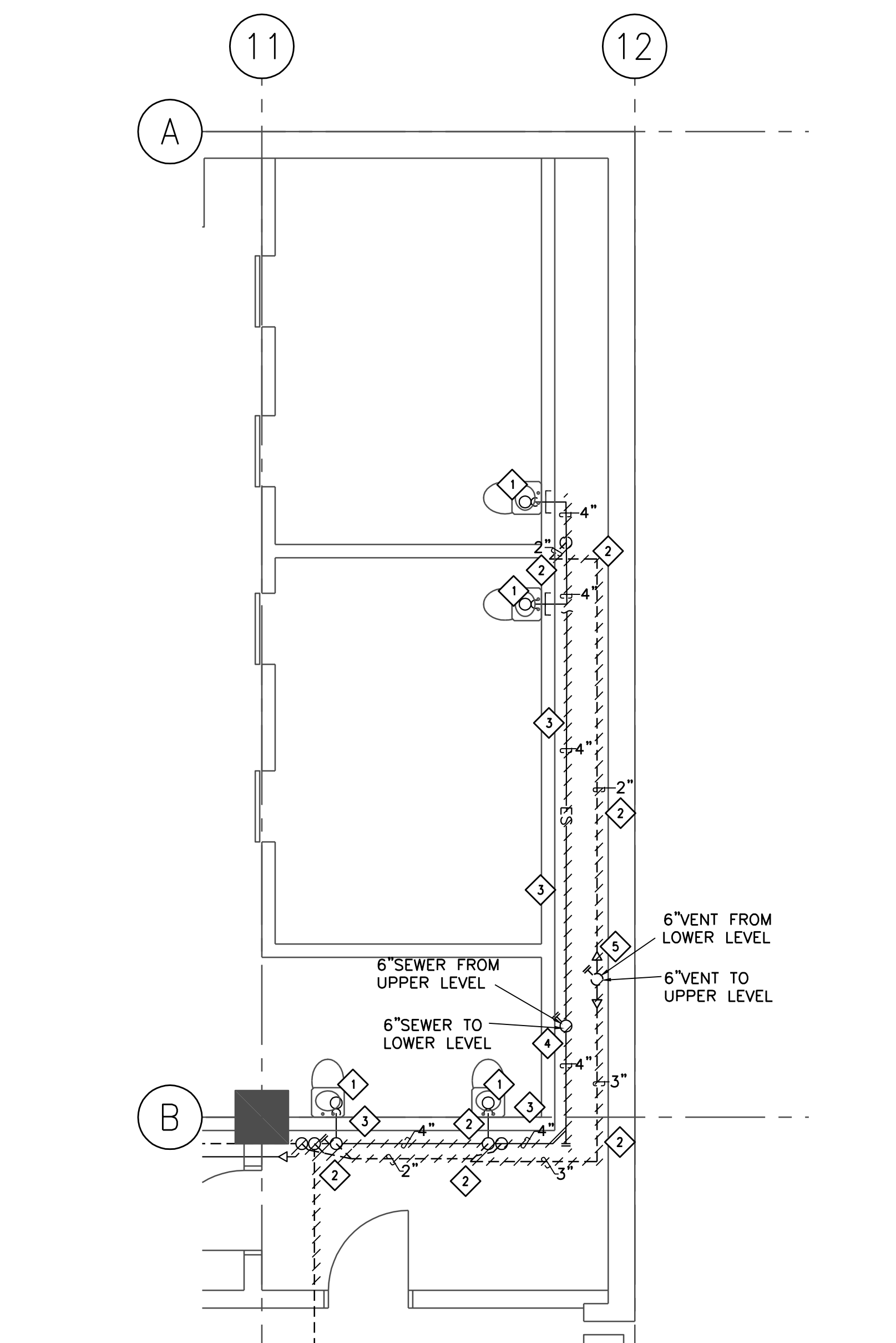
SIXTH FLOOR ENLARGED DEMOLITION PLUMBING SEWER WASTE AND VENT PIPING FLOOR PLAN
SCALE 1/4" = 1'-0"
REFER TO REMODEL PLAN 3/P-515



SIXTH FLOOR ENLARGED DEMOLITION PLUMBING SEWER WASTE AND VENT PIPING FLOOR PLAN
SCALE 1/4" = 1'-0"
REFER TO REMODEL PLAN 1/P-516

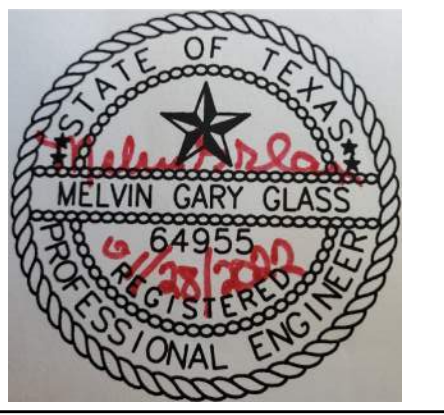


SIXTH FLOOR ENLARGED DEMOLITION PLUMBING SEWER WASTE AND VENT PIPING FLOOR PLAN
SCALE 1/4" = 1'-0"
REFER TO REMODEL PLAN 2/P-516

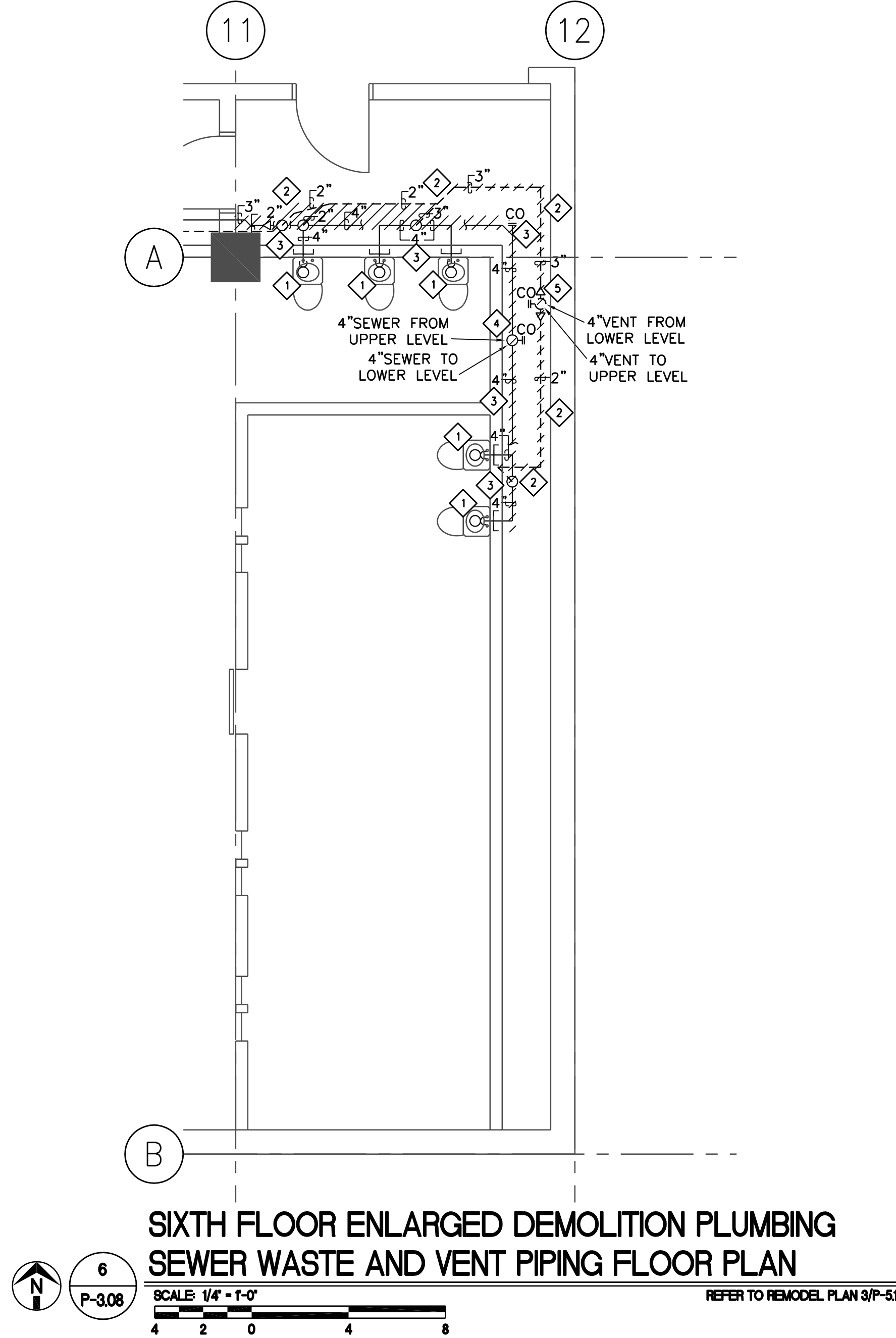
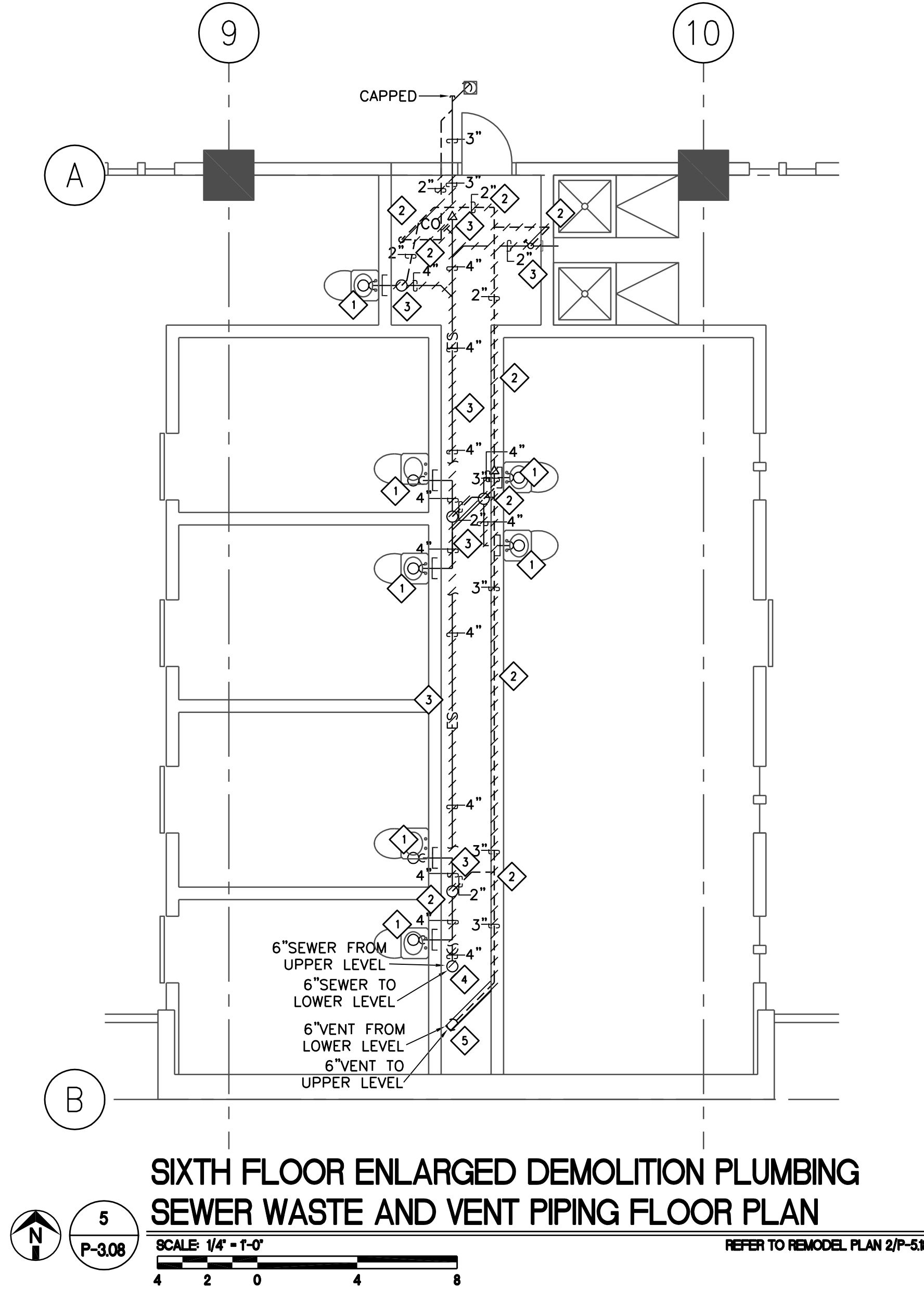
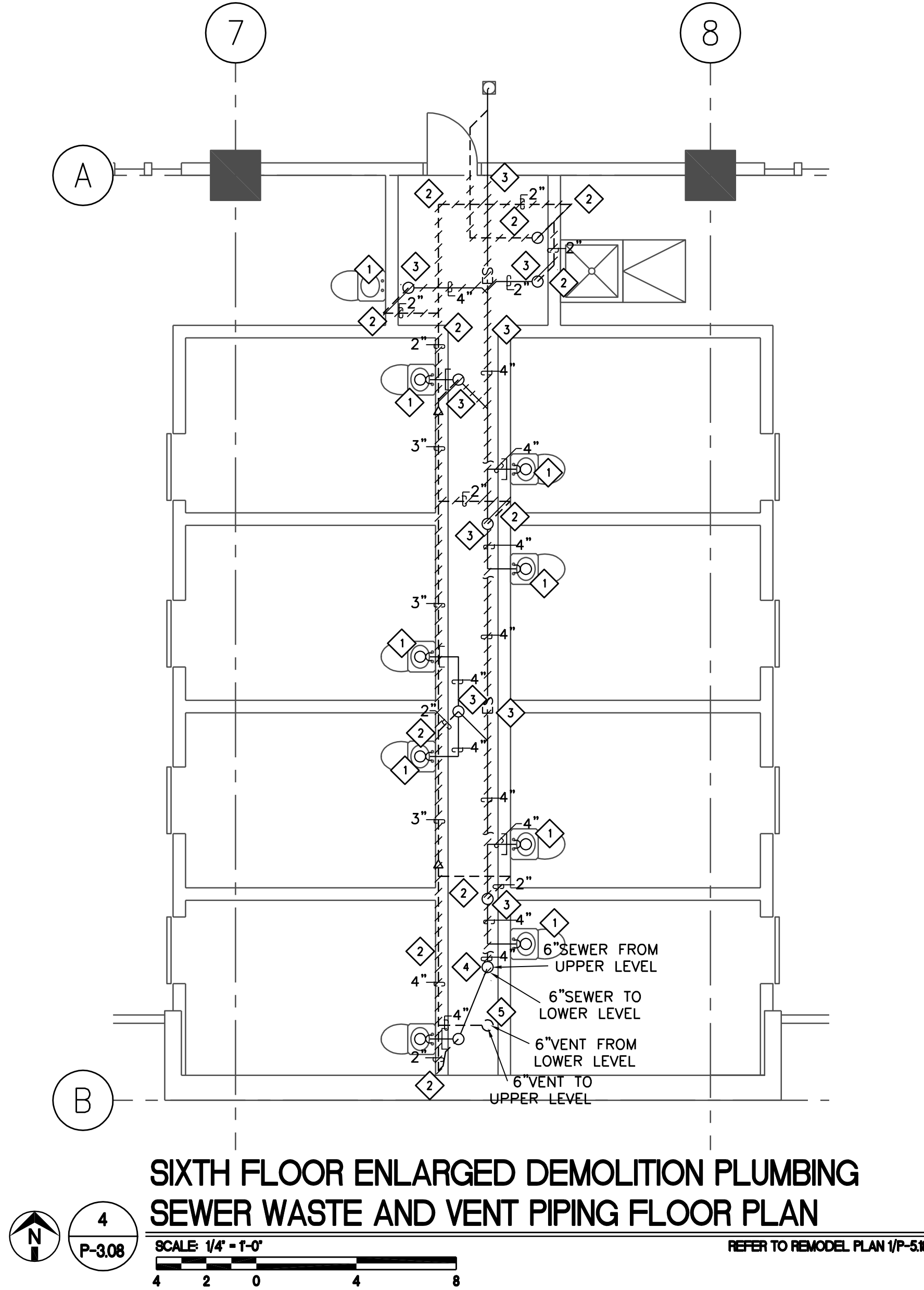
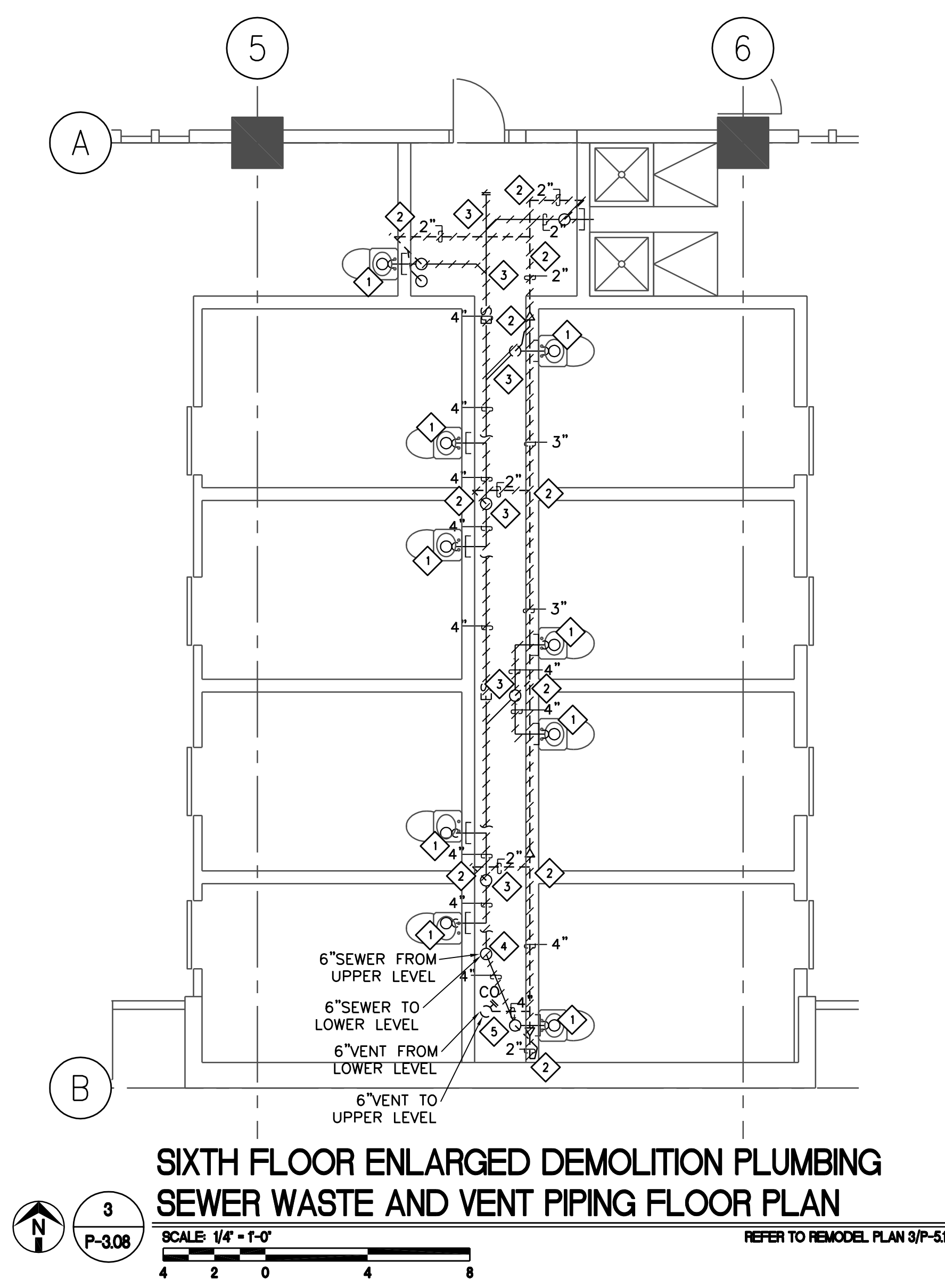
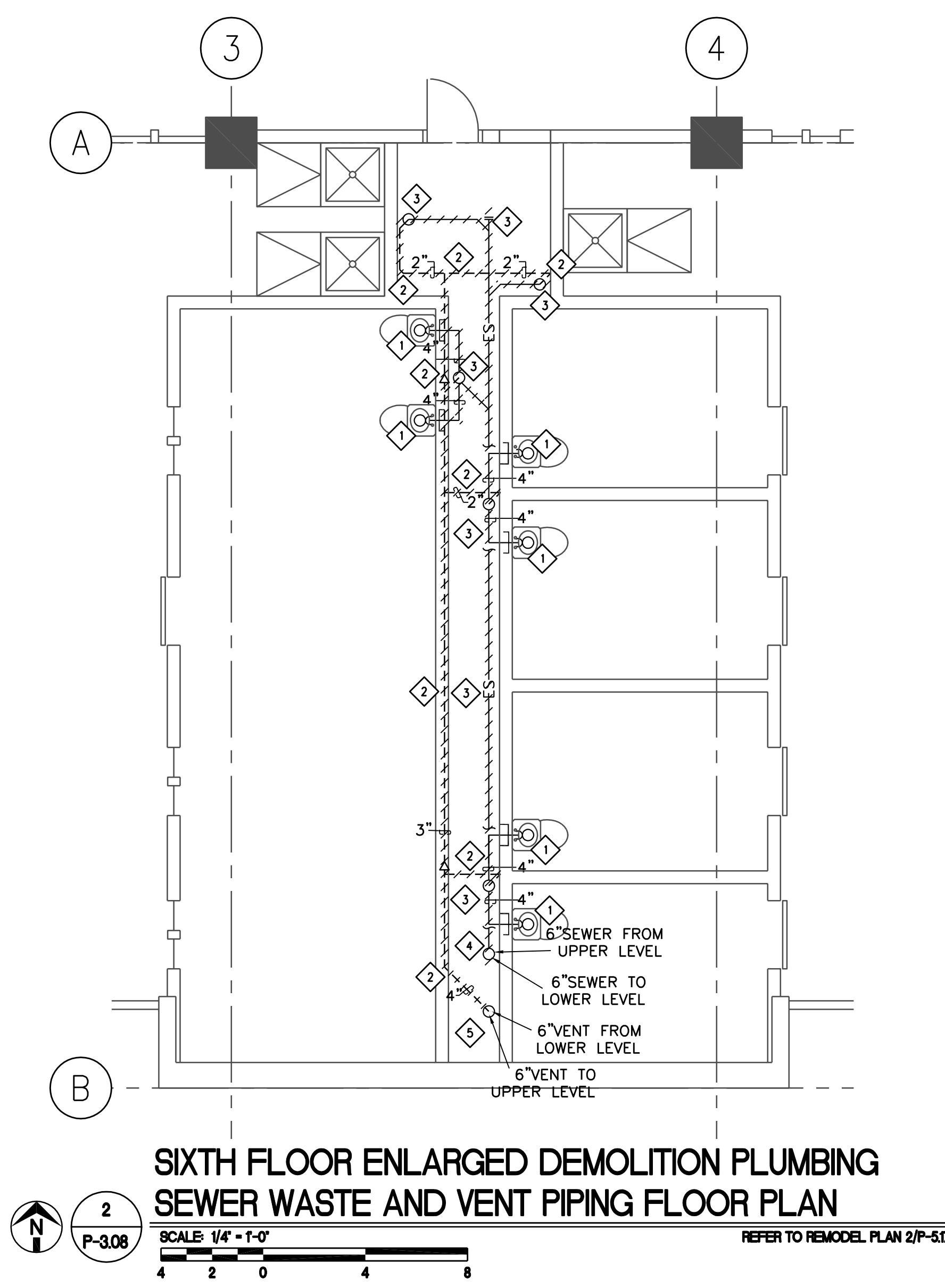
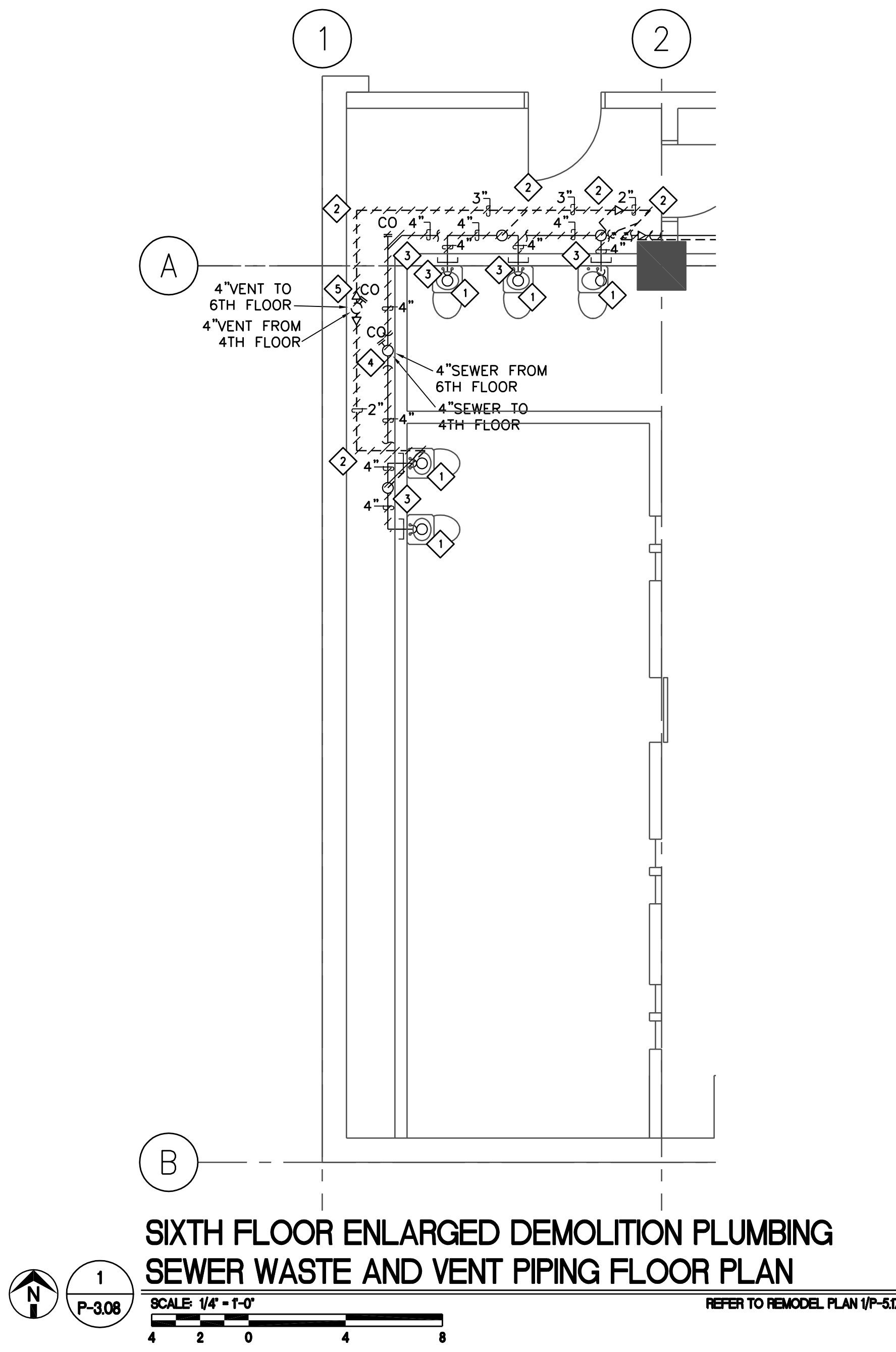


SIXTH FLOOR ENLARGED DEMOLITION PLUMBING SEWER WASTE AND VENT PIPING FLOOR PLAN
SCALE 1/4" = 1'-0"
REFER TO REMODEL PLAN 3/P-516

THIS DOCUMENT, WHETHER IN HARD COPY OR MACHINE READABLE FORMAT, IS COPYRIGHTED AND AN INSTRUMENT OF SERVICES IN RESPECT TO THE PROJECT FOR WHICH IT WAS PREPARED. THIS DOCUMENT IS NOT INTENDED OR AUTHORIZED FOR REUSE BY ANY PARTY ON EXTENSIONS OF SUCH PROJECT OR ANY OTHER PROJECT. ANY REUSE, INCLUDING COPYING AND/OR MODIFYING THE DOCUMENT, WITHOUT WRITTEN PERMISSION FROM EMC ENGINEERS FOR THE SPECIFIC PURPOSE INTENDED IS A VIOLATION OF FEDERAL COPYRIGHT LAW. UNAUTHORIZED USE OF THIS MATERIAL MAY RESULT IN CIVIL AND/OR CRIMINAL PENALTIES.
COPY RIGHT 2013 EMC ENGINEERS.



THE SEAL APPEARING ON THIS DOCUMENT WAS AUTHORIZED BY MELVIN G. GLASS, P.E. #64935 OF EMC ENGINEERS (TEAMS FIRM #E-27491) ON JANUARY 28, 2022. ALTERATION OF A SEALED DOCUMENT WITHOUT PROPER NOTIFICATION TO THE RESPONSIBLE ENGINEER IS AN OFFENSE UNDER THE TEXAS ENGINEERING PRACTICE ACT.



DEMOLITION PLUMBING GENERAL NOTES:

- 1 THE INTENT OF THE DEMOLITION AND REPLACEMENT OF THE SEWER AND VENTING SYSTEMS FOR THE FACILITY. THIS FACILITY IS A 24/7 SECURED OPERATION FACILITY. SO THE CONTRACTOR SHALL COORDINATE ALL DEMOLITION AND REMODEL WORK WITH THE DETENTION PERSONNEL.
- 2 DEMOLITION SEWER AND VENT WORK SHOWN HATCHED, EXISTING WORK TO REMAIN IS UNHATCHED.
- 3 SOME PLUMBING CHASES CONTAIN MECHANICAL DUCTWORK, THE CONTRACTOR SHALL COORDINATE THE REMOVAL OF EXISTING SEWER AND VENT PIPING WITH THIS DUCTWORK.

DEMOLITION PLUMBING KEYED NOTES:

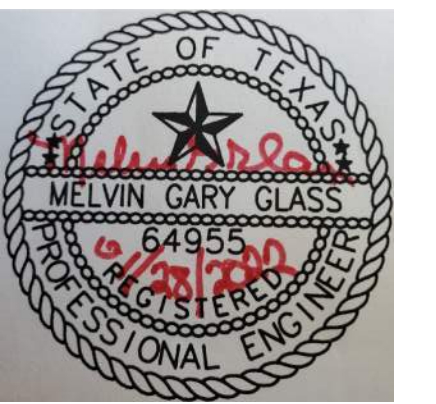
- 1 EXISTING SEWER FROM THE CELL WATERCLOSET/SINK COMBO IS TO BE REMOVED FROM THE FIXTURE CONNECTION TO THE FLOOR PENETRATION, REFER TO REMODEL DRAWINGS P-5.XX AS NOTED ON PLAN FOR FURTHER INFORMATION.
- 2 EXISTING VENT PIPING IN CHASE TO BE REMOVED AND REPLACED REFER TO REMODEL DRAWINGS P-5.XX AS NOTED ON PLAN FOR FURTHER INFORMATION.
- 3 EXISTING SEWER PIPING IN CHASE BE REMOVED AND REPLACED, REFER TO REMODEL DRAWINGS P-5.XX AS NOTED ON PLAN FOR FURTHER INFORMATION.
- 4 EXISTING SEWER MAIN RISER TO BE REMOVED AND REPLACED, REFER TO REMODEL DRAWINGS P-5.XX AS NOTED ON PLAN FOR FURTHER INFORMATION.
- 5 EXISTING VENT MAIN RISER TO BE REMOVED AND REPLACED, REFER TO REMODEL DRAWINGS P-5.XX AS NOTED ON PLAN FOR FURTHER INFORMATION.

THIS DOCUMENT, WHETHER IN HARD COPY OR MACHINE READABLE FORMAT, IS COPYRIGHTED AND AN INSTRUMENT OF SERVICES IN RESPECT TO THE PROJECT FOR WHICH IT WAS PREPARED. THIS DOCUMENT IS NOT INTENDED OR AUTHORIZED FOR REUSE BY ANY PARTY ON EXTENSIONS OF SUCH PROJECT OR ANY OTHER PROJECT. ANY REUSE, INCLUDING COPYING AND/OR MODIFYING THE DOCUMENT, WITHOUT WRITTEN PERMISSION FROM EMC ENGINEERS FOR THE SPECIFIC PURPOSE INTENDED IS A VIOLATION OF FEDERAL COPYRIGHT LAW. UNAUTHORIZED USE OF THIS MATERIAL MAY RESULT IN CIVIL AND/OR CRIMINAL PENALTIES.
COPY RIGHT 2013 EMC ENGINEERS.

Rev.#	Date	Initial	Revision Description
			ETC
			ETC
			ETC

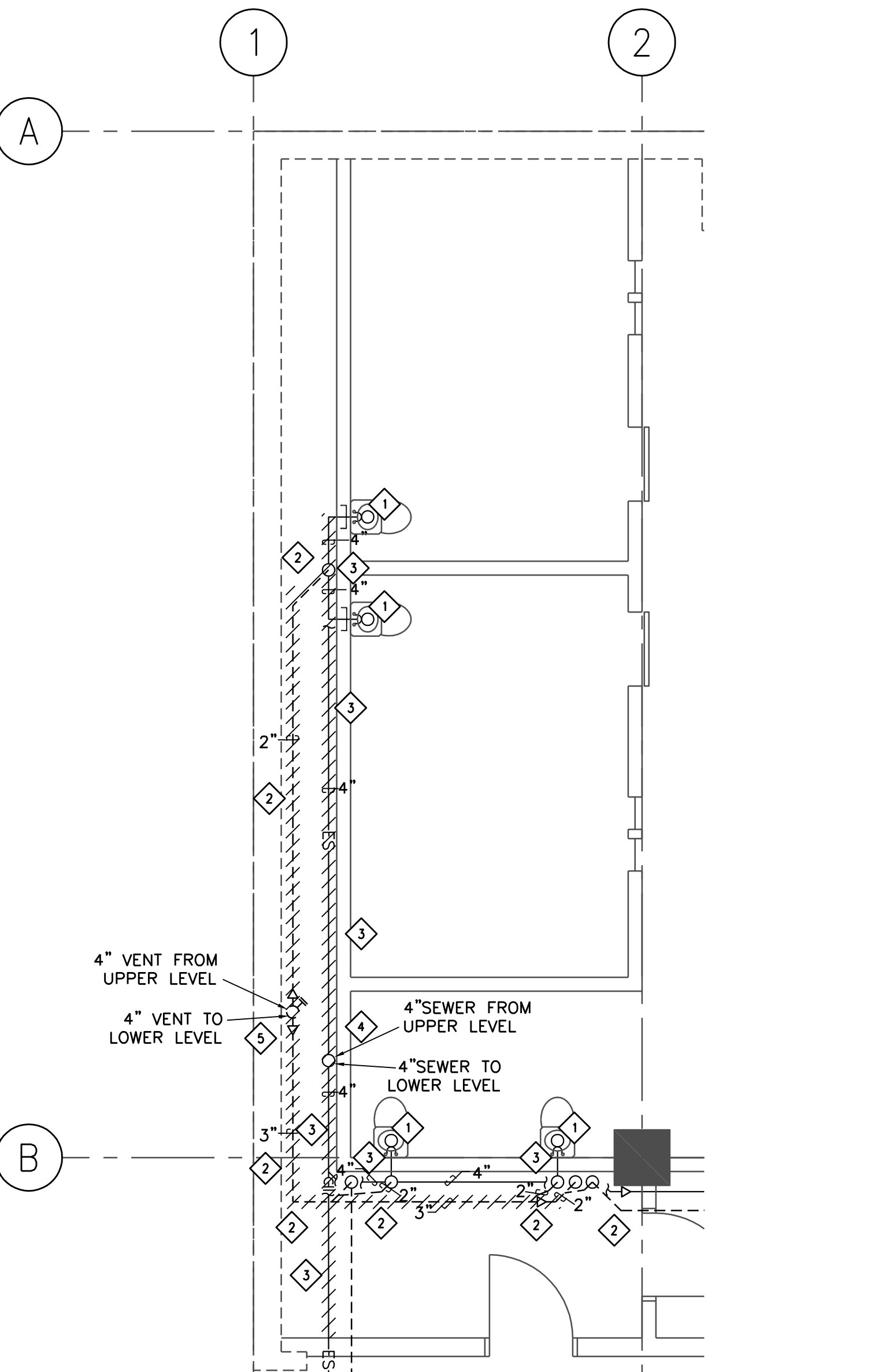
EMC ENGINEERS 2311 E. BROADWAY AVE. SUITE 100 EL PASO, TEXAS 79901 TEL: 915-781-2030 FAX: 915-781-2030 WWW.EMCENGINEERS.COM	<p>EMC ENGINEERS</p>	<p>Project: UPGRADE AND REPLACE THE SANITARY SEWER SYSTEM AT THE EL PASO COUNTY DETENTION FACILITY</p> <p>Location: 601 E OVERLAND STREET EL PASO, TEXAS</p>
--	-----------------------------	--

Job Number: EHC-2108022
Date: 11/23/2021
Scale: AS SHOWN
Sheet: P-3.08
28 of: X

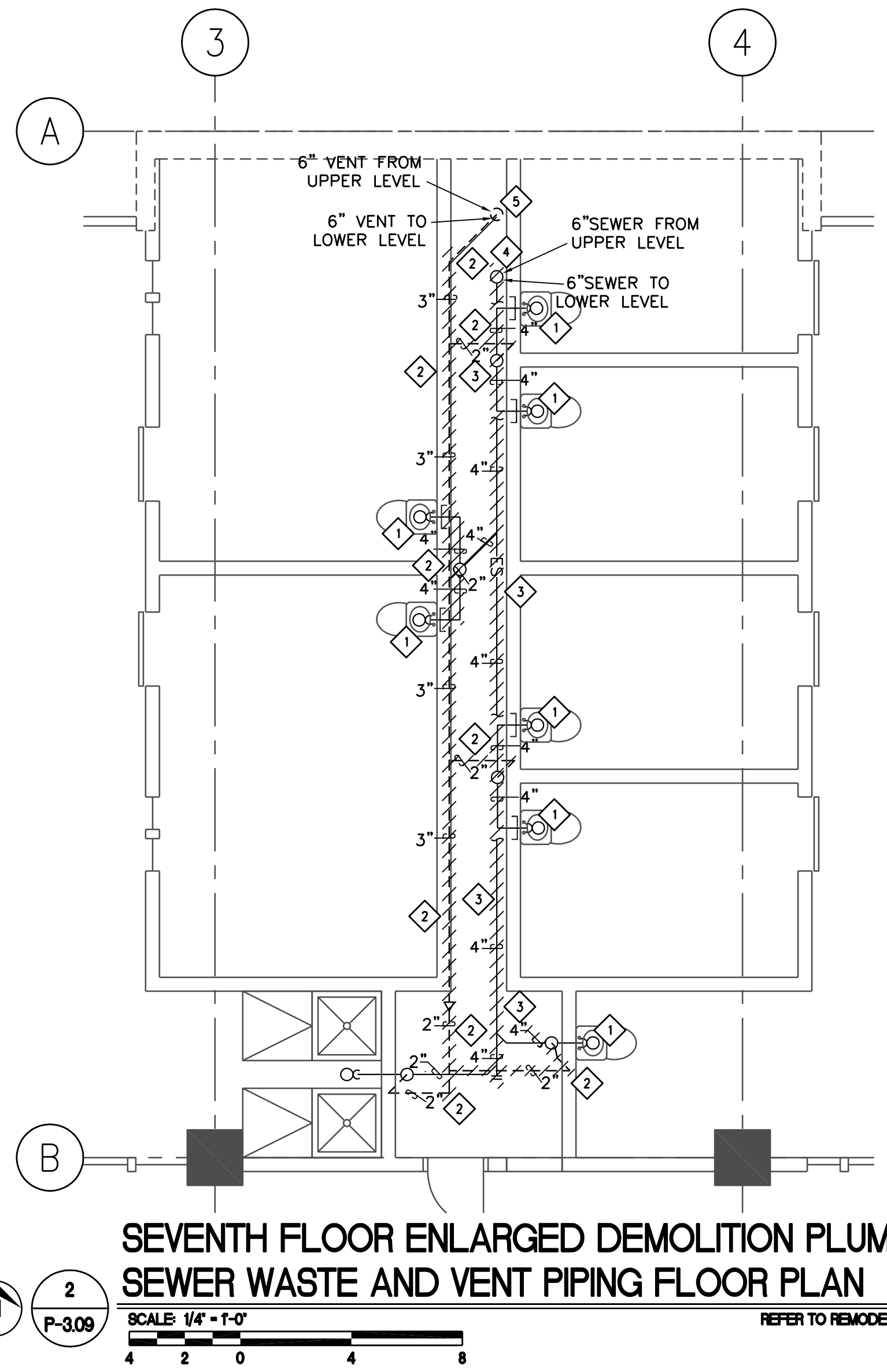


THE SEAL APPEARING ON THIS DOCUMENT WAS AUTHORIZED BY MELVIN G. GLASS, P.E. #64935 OF EMC ENGINEERS (TEXAS FIRM REG. #24991) ON JANUARY 28, 2022. ALTERATION OF A SEALED DOCUMENT WITHOUT PROPER NOTIFICATION TO THE RESPONSIBLE ENGINEER IS AN OFFENSE UNDER THE TEXAS ENGINEERING PRACTICE ACT.

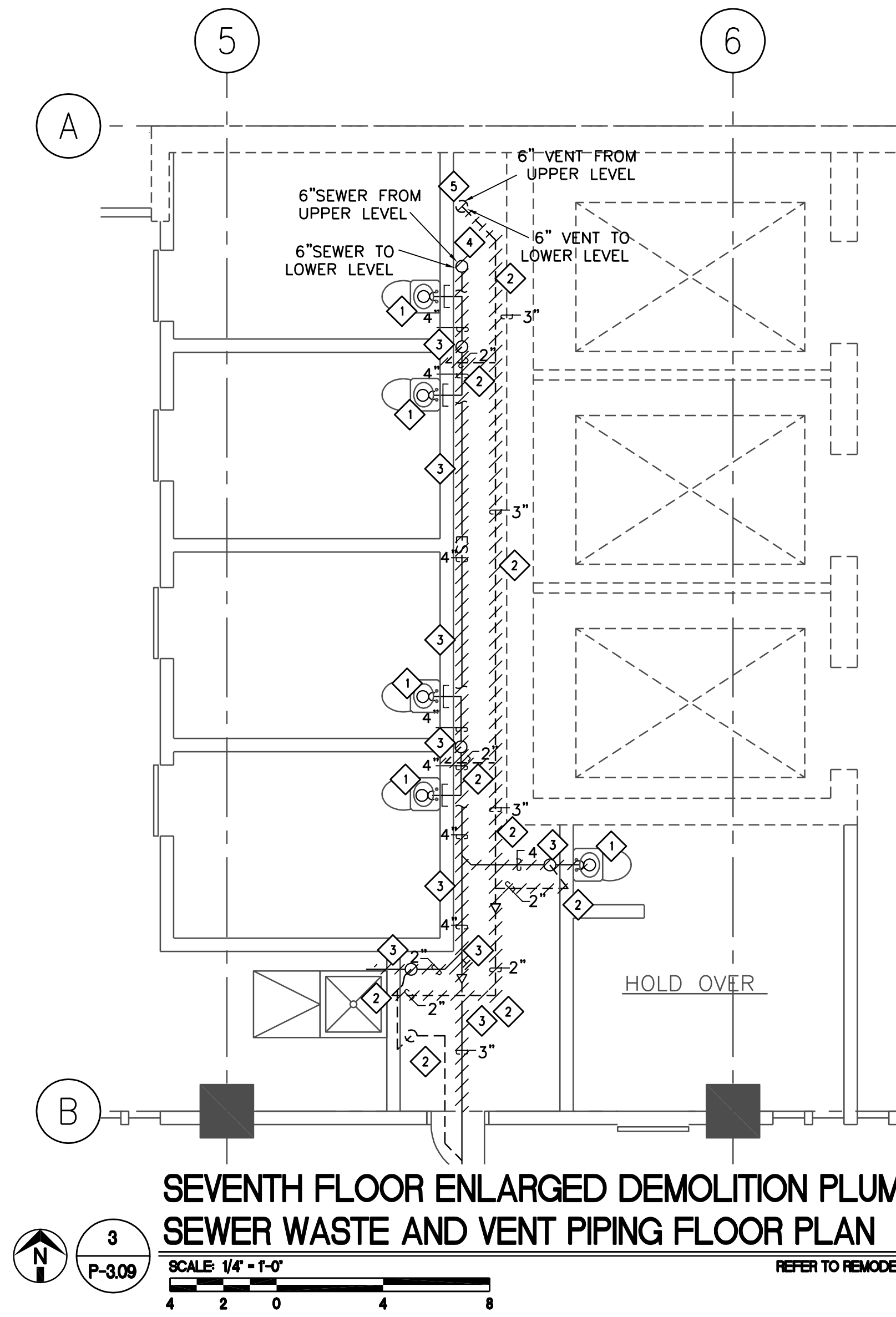
Project:	UPGRADE AND REPLACE THE SANITARY SEWER SYSTEM AT THE EL PASO COUNTY DETENTION FACILITY
Location:	601 E OVERLAND STREET EL PASO, TEXAS
Job Number:	ETC-2108022
Date:	11/23/2021
Scale:	AS SHOWN
Sheet:	P-3.09
29 of:	X



SEVENTH FLOOR ENLARGED DEMOLITION PLUMBING SEWER WASTE AND VENT PIPING FLOOR PLAN
 1 P-3.09 SCALE 1/4" = 1'-0" REFER TO REMODEL PLAN 1/P-519



SEVENTH FLOOR ENLARGED DEMOLITION PLUMBING SEWER WASTE AND VENT PIPING FLOOR PLAN
 2 P-3.09 SCALE 1/4" = 1'-0" REFER TO REMODEL PLAN 2/P-519



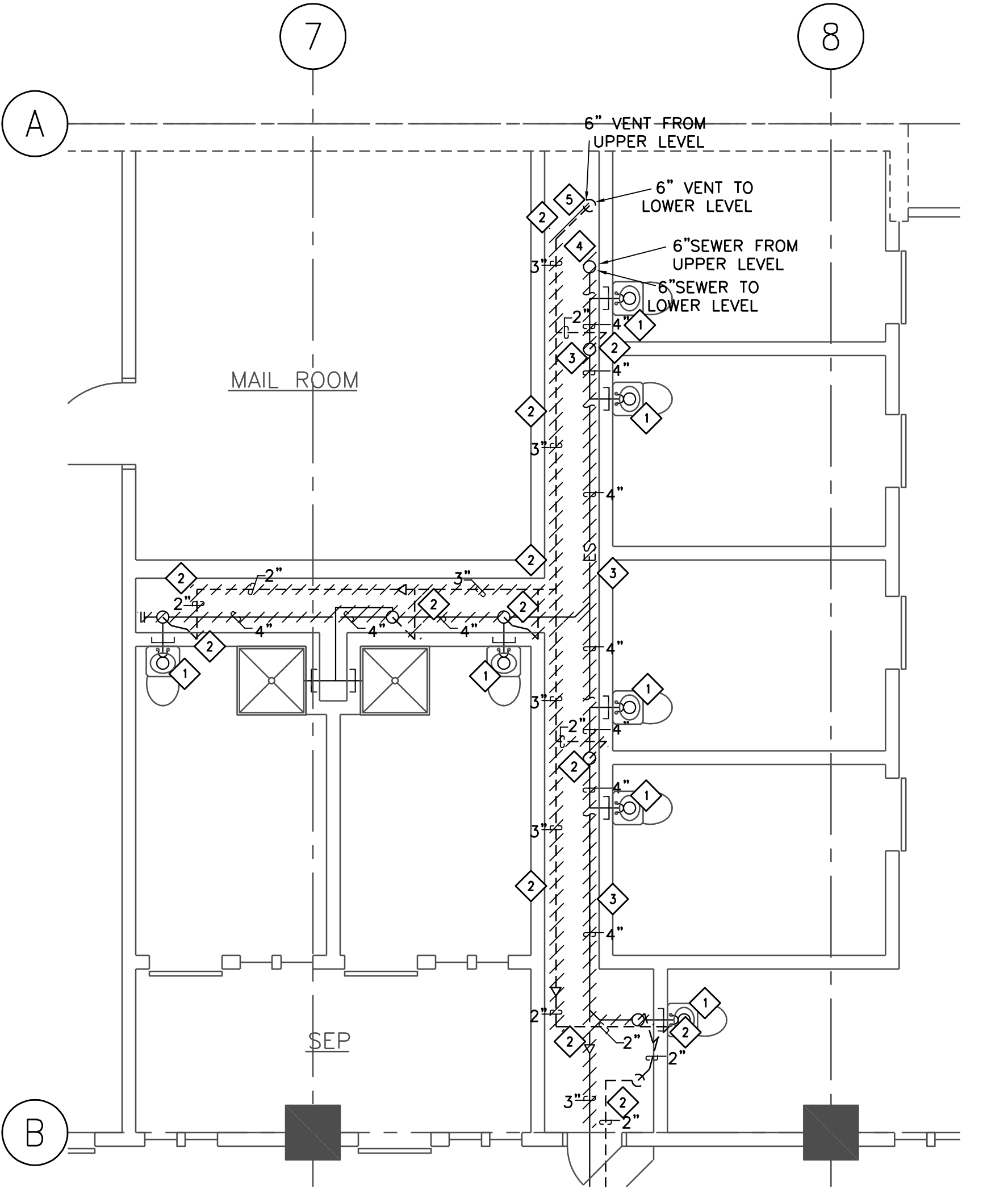
SEVENTH FLOOR ENLARGED DEMOLITION PLUMBING SEWER WASTE AND VENT PIPING FLOOR PLAN
 3 P-3.09 SCALE 1/4" = 1'-0" REFER TO REMODEL PLAN 3/P-519

DEMOLITION PLUMBING GENERAL NOTES:

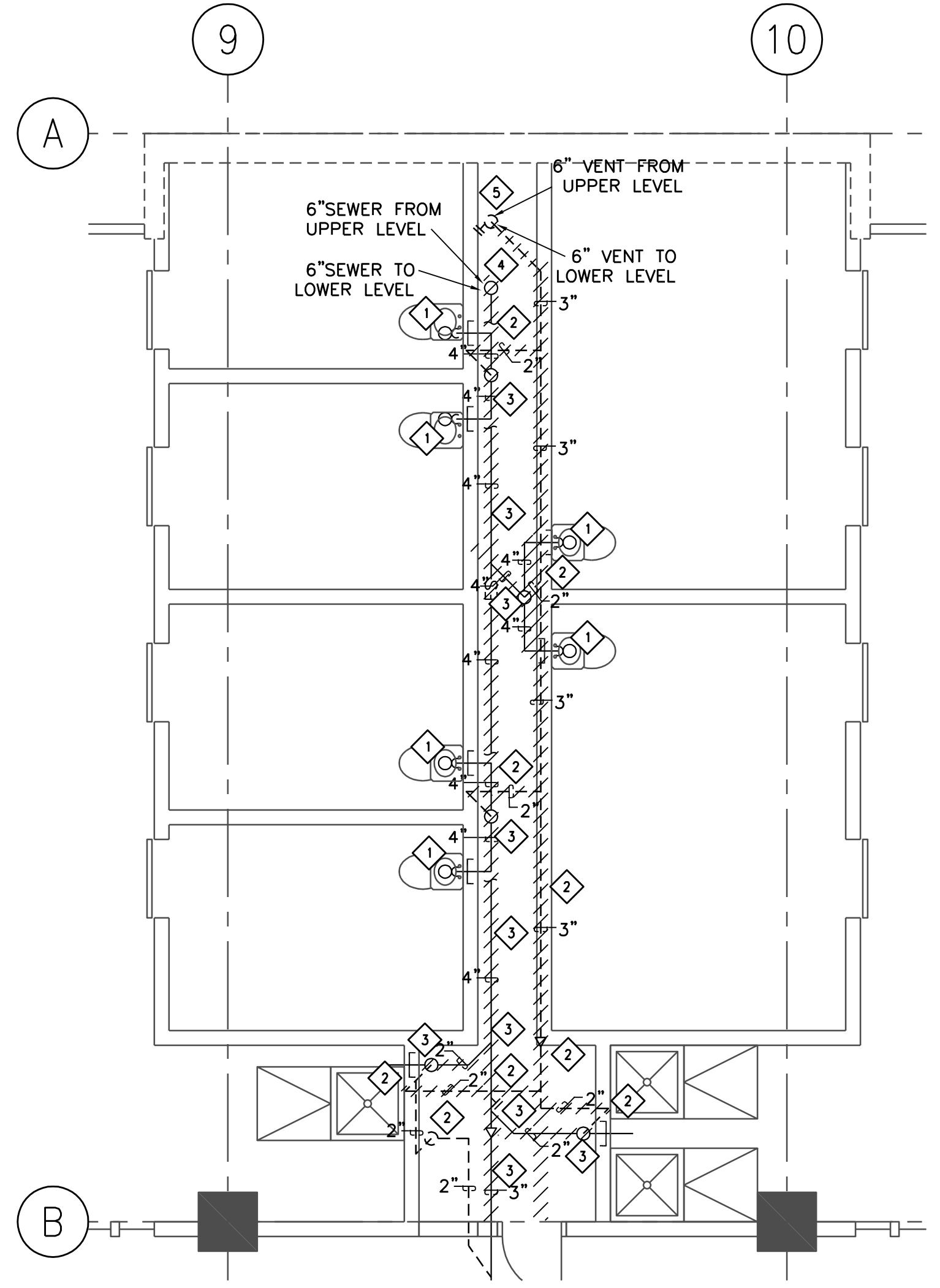
- 1 THE INTENT OF THE DEMOLITION AND REPLACEMENT OF THE SEWER AND VENTING SYSTEMS FOR THE FACILITY. THIS FACILITY IS A 24/7 SECURED OPERATION FACILITY. SO THE CONTRACTOR SHALL COORDINATE ALL DEMOLITION AND REMODEL WORK WITH THE DETENTION PERSONNEL.
- 2 DEMOLITION SEWER AND VENT WORK SHOWN HATCHED, EXISTING WORK TO REMAIN IS UNHATCHED.
- 3 SOME PLUMBING CHASES CONTAIN MECHANICAL DUCTWORK, THE CONTRACTOR SHALL COORDINATE THE REMOVAL OF EXISTING SEWER AND VENT PIPING WITH THIS DUCTWORK.

DEMOLITION PLUMBING KEYED NOTES:

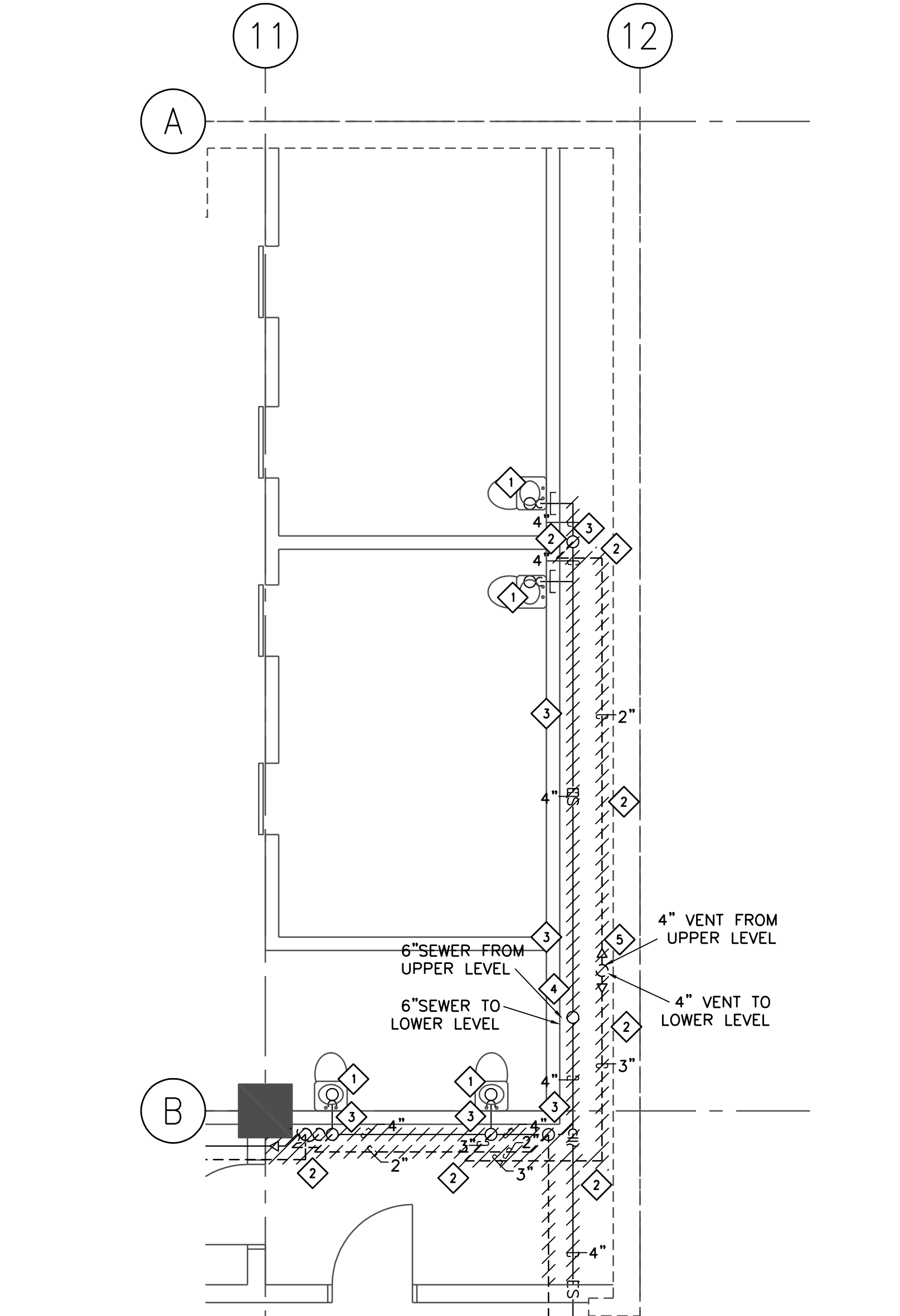
- 1 EXISTING SEWER FROM THE CELL WATERCLOSET/SINK COMBO IS TO BE REMOVED FROM THE FIXTURE CONNECTION TO THE FLOOR PENETRATION, REFER TO REMODEL DRAWINGS P-5.XX AS NOTED ON PLAN FOR FURTHER INFORMATION.
- 2 EXISTING VENT PIPING IN CHASE TO BE REMOVED AND REPLACED REFER TO REMODEL DRAWINGS P-5.XX AS NOTED ON PLAN FOR FURTHER INFORMATION.
- 3 EXISTING SEWER PIPING IN CHASE BE REMOVED AND REPLACED, REFER TO REMODEL DRAWINGS P-5.XX AS NOTED ON PLAN FOR FURTHER INFORMATION.
- 4 EXISTING SEWER MAIN RISER TO BE REMOVED AND REPLACED, REFER TO REMODEL DRAWINGS P-5.XX AS NOTED ON PLAN FOR FURTHER INFORMATION.
- 5 EXISTING VENT MAIN RISER TO BE REMOVED AND REPLACED, REFER TO REMODEL DRAWINGS P-5.XX AS NOTED ON PLAN FOR FURTHER INFORMATION.



SEVENTH FLOOR ENLARGED DEMOLITION PLUMBING SEWER WASTE AND VENT PIPING FLOOR PLAN
 4 P-3.09 SCALE 1/4" = 1'-0" REFER TO REMODEL PLAN 1/P-520

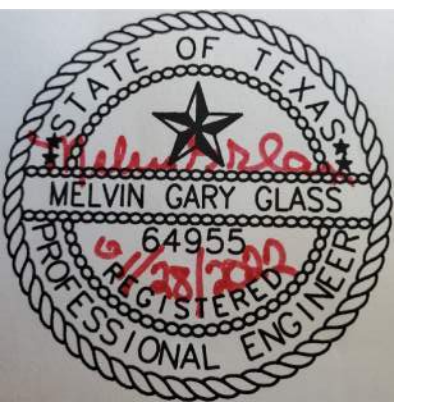


SEVENTH FLOOR ENLARGED DEMOLITION PLUMBING SEWER WASTE AND VENT PIPING FLOOR PLAN
 5 P-3.09 SCALE 1/4" = 1'-0" REFER TO REMODEL PLAN 2/P-520



SEVENTH FLOOR ENLARGED DEMOLITION PLUMBING SEWER WASTE AND VENT PIPING FLOOR PLAN
 6 P-3.09 SCALE 1/4" = 1'-0" REFER TO REMODEL PLAN 3/P-520

THIS DOCUMENT, WHETHER IN HARD COPY OR MACHINE READABLE FORMAT, IS COPYRIGHTED AND AN INSTRUMENT OF SERVICES IN RESPECT TO THE PROJECT FOR WHICH IT WAS PREPARED. THIS DOCUMENT IS NOT INTENDED OR AUTHORIZED FOR REUSE BY ANY PARTY ON EXTENSIONS OF SUCH PROJECT OR ANY OTHER PROJECT. ANY REUSE, INCLUDING COPYING AND/OR MODIFYING THE DOCUMENT, WITHOUT WRITTEN PERMISSION FROM EMC ENGINEERS FOR THE SPECIFIC PURPOSE INTENDED IS A VIOLATION OF FEDERAL COPYRIGHT LAW. UNAUTHORIZED USE OF THIS MATERIAL MAY RESULT IN CIVIL AND/OR CRIMINAL PENALTIES.
 COPY RIGHT 2013 EMC ENGINEERS.



THE SEAL APPEARING ON THIS DOCUMENT WAS AUTHORIZED BY MELVIN G. GLASS, P.E. #64935 OF EMC ENGINEERS (TEXAS FIRM #E-2491) ON JANUARY 28, 2022. ALTERATION OF A SEALED DOCUMENT WITHOUT PROPER NOTIFICATION TO THE RESPONSIBLE ENGINEER IS AN OFFENSE UNDER THE TEXAS ENGINEERING PRACTICE ACT.

Rev.#	Date	Initial	Revision Description
1			EMC ENGINEERS 2311 E. BROADWAY, SUITE 1000 EL PASO, TEXAS 79901 TEL: 915-781-2030 FAX: 915-781-2035 WWW.EMCENGINEERS.COM EMC PROJECT #2108022
2			Designed By: EMC Drawn By: EMC Checked By: EMC

DEMOLITION PLUMBING GENERAL NOTES:

- 1 THE INTENT OF THE DEMOLITION AND REPLACEMENT OF THE SEWER AND VENTING SYSTEMS FOR THE FACILITY. THIS FACILITY IS A 24/7 SECURED OPERATION FACILITY. SO THE CONTRACTOR SHALL COORDINATE ALL DEMOLITION AND REMODEL WORK WITH THE DETENTION PERSONNEL.
- 2 DEMOLITION SEWER AND VENT WORK SHOWN HATCHED, EXISTING WORK TO REMAIN IS UNHATCHED.
- 3 SOME PLUMBING CHASES CONTAIN MECHANICAL DUCTWORK, THE CONTRACTOR SHALL COORDINATE THE REMOVAL OF EXISTING SEWER AND VENT PIPING WITH THIS DUCTWORK.

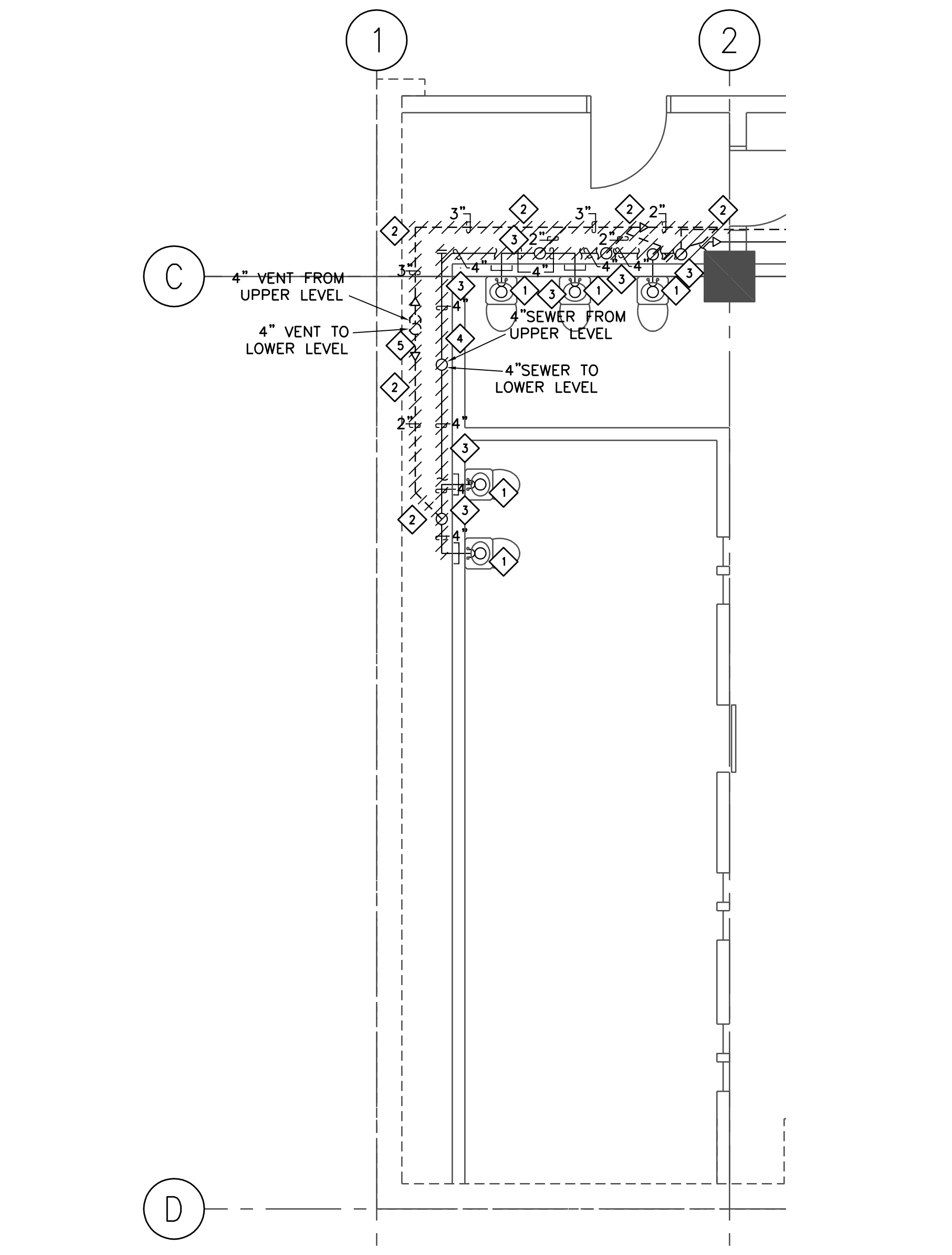
DEMOLITION PLUMBING KEYED NOTES:

- 1 EXISTING SEWER FROM THE CELL WATERCLOSET/SINK COMBO IS TO BE REMOVED FROM THE FIXTURE CONNECTION TO THE FLOOR PENETRATION, REFER TO REMODEL DRAWINGS P-5.XX AS NOTED ON PLAN FOR FURTHER INFORMATION.
- 2 EXISTING VENT PIPING IN CHASE TO BE REMOVED AND REPLACED REFER TO REMODEL DRAWINGS P-5.XX AS NOTED ON PLAN FOR FURTHER INFORMATION.
- 3 EXISTING SEWER PIPING IN CHASE BE REMOVED AND REPLACED, REFER TO REMODEL DRAWINGS P-5.XX AS NOTED ON PLAN FOR FURTHER INFORMATION.
- 4 EXISTING SEWER MAIN RISER TO BE REMOVED AND REPLACED, REFER TO REMODEL DRAWINGS P-5.XX AS NOTED ON PLAN FOR FURTHER INFORMATION.
- 5 EXISTING VENT MAIN RISER TO BE REMOVED AND REPLACED, REFER TO REMODEL DRAWINGS P-5.XX AS NOTED ON PLAN FOR FURTHER INFORMATION.

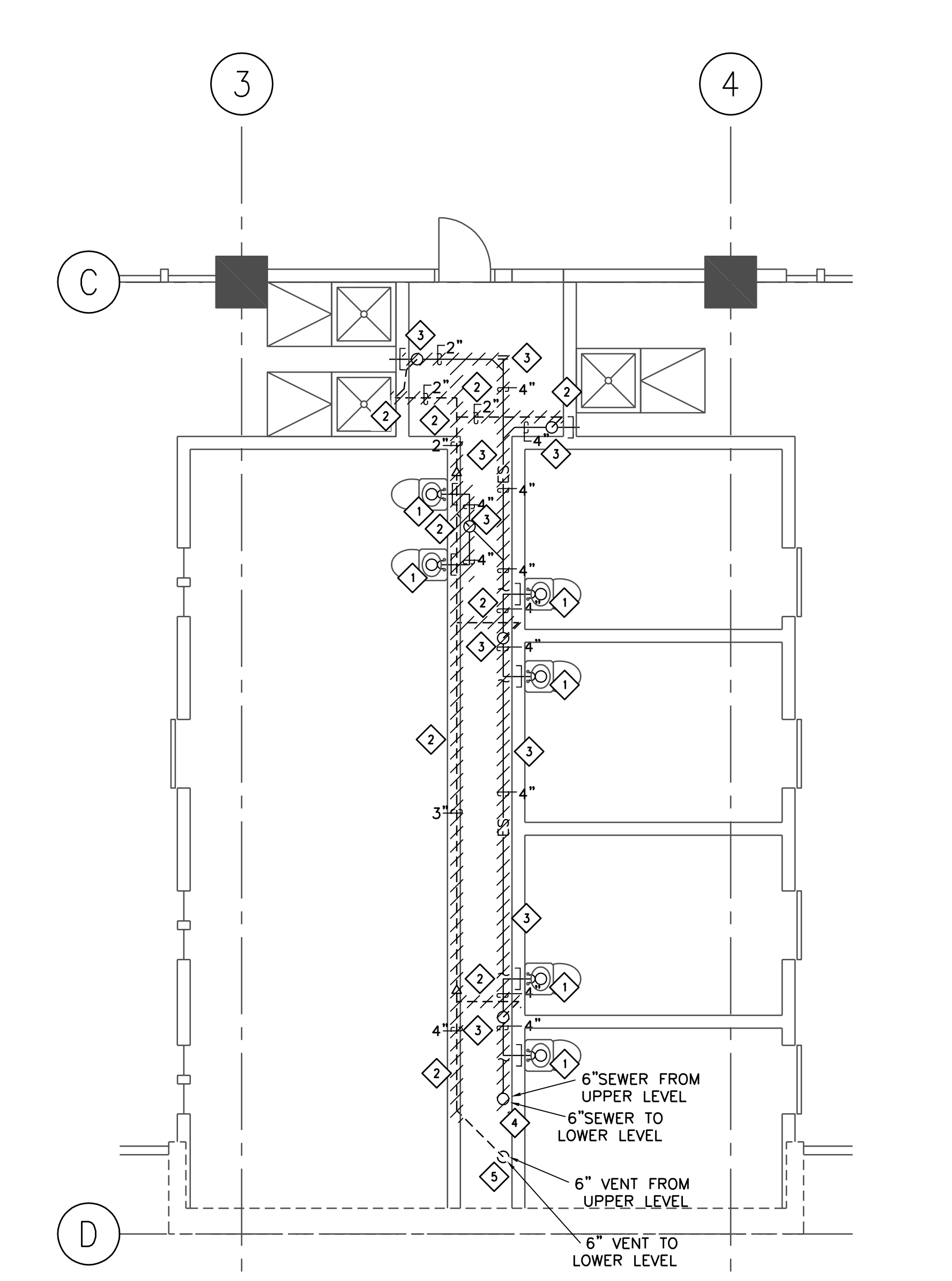


UPGRADE AND REPLACE THE SANITARY SEWER SYSTEM
AT THE EL PASO COUNTY DETENTION FACILITY
601 E OVERLAND STREET EL PASO, TEXAS

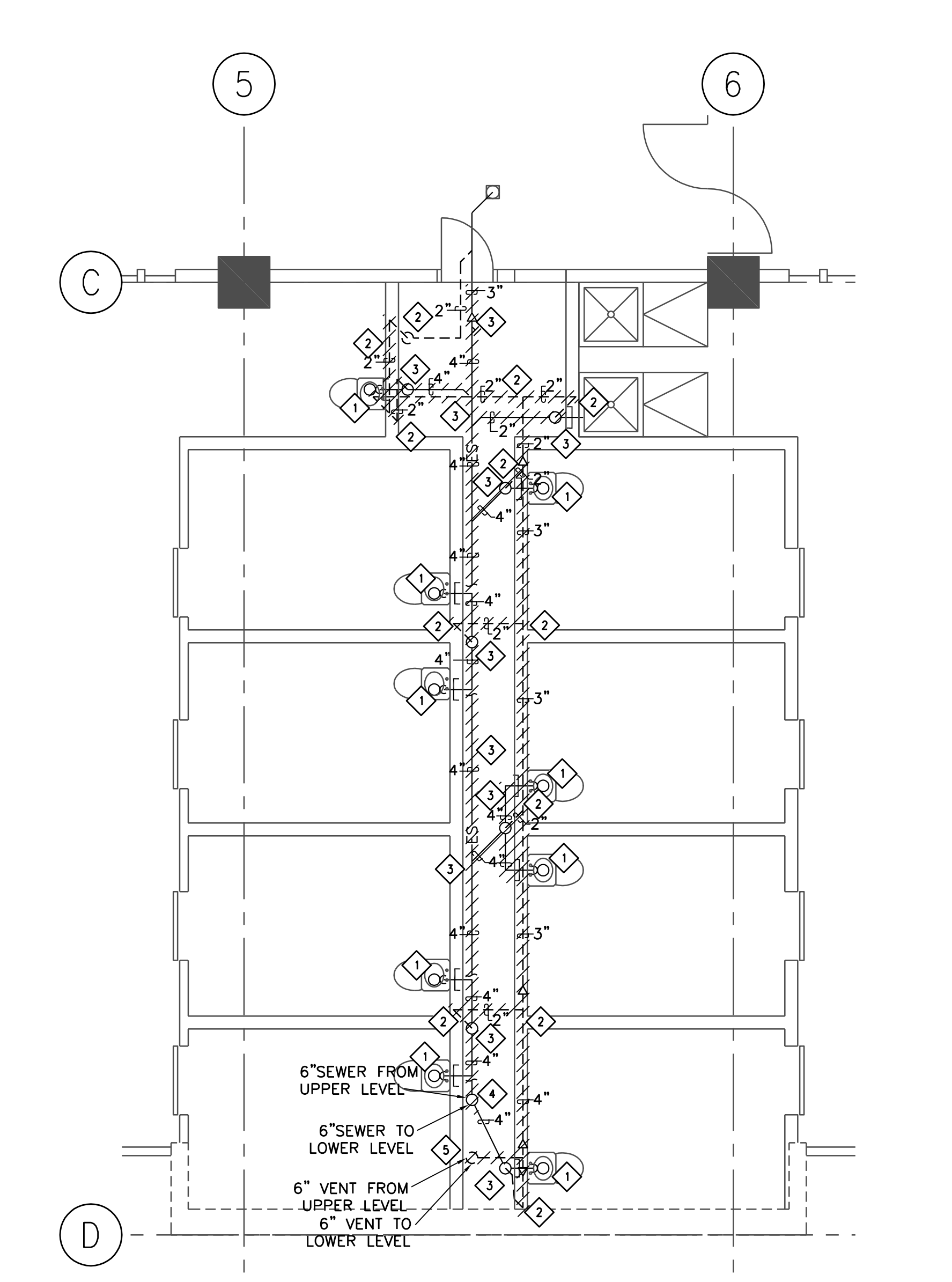
Project: EMC-2108022
Date: 11/23/2021
Scale: AS SHOWN
Sheet: P-3.10
30 of: X



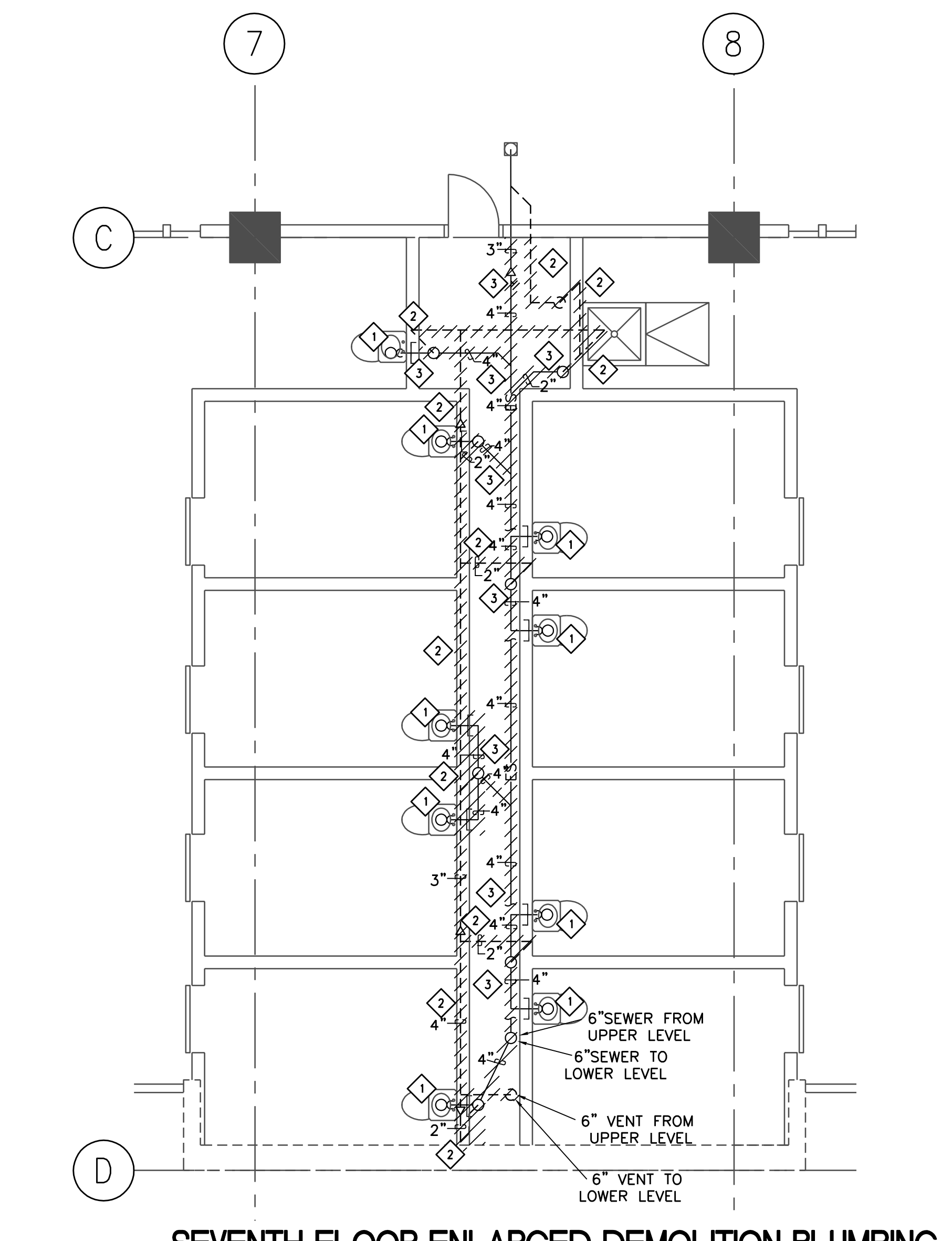
SEVENTH FLOOR ENLARGED DEMOLITION PLUMBING SEWER WASTE AND VENT PIPING FLOOR PLAN
SCALE 1/4" = 1'-0"
REFER TO REMODEL PLAN 1/P-522



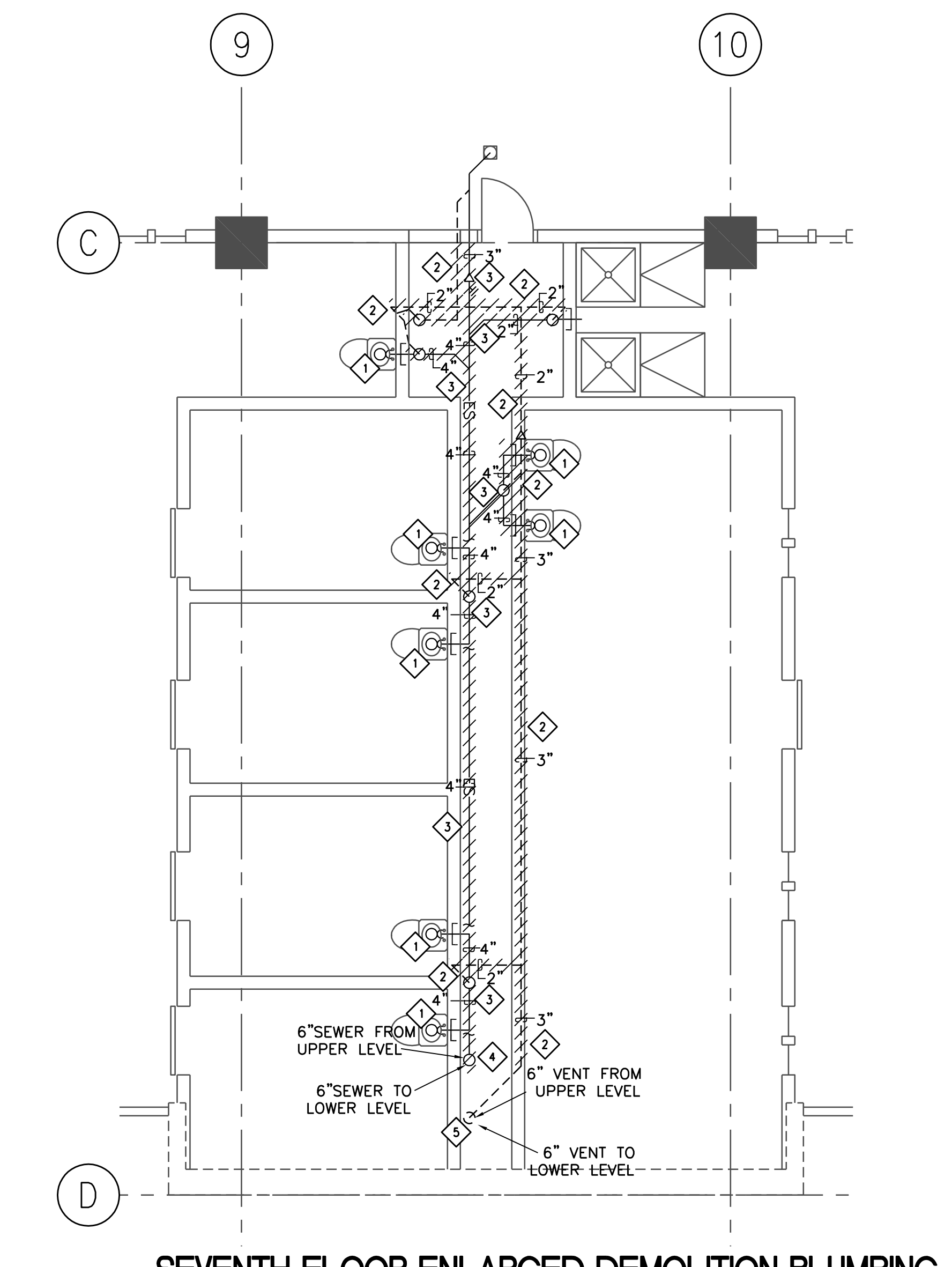
SEVENTH FLOOR ENLARGED DEMOLITION PLUMBING SEWER WASTE AND VENT PIPING FLOOR PLAN
SCALE 1/4" = 1'-0"
REFER TO REMODEL PLAN 2/P-522



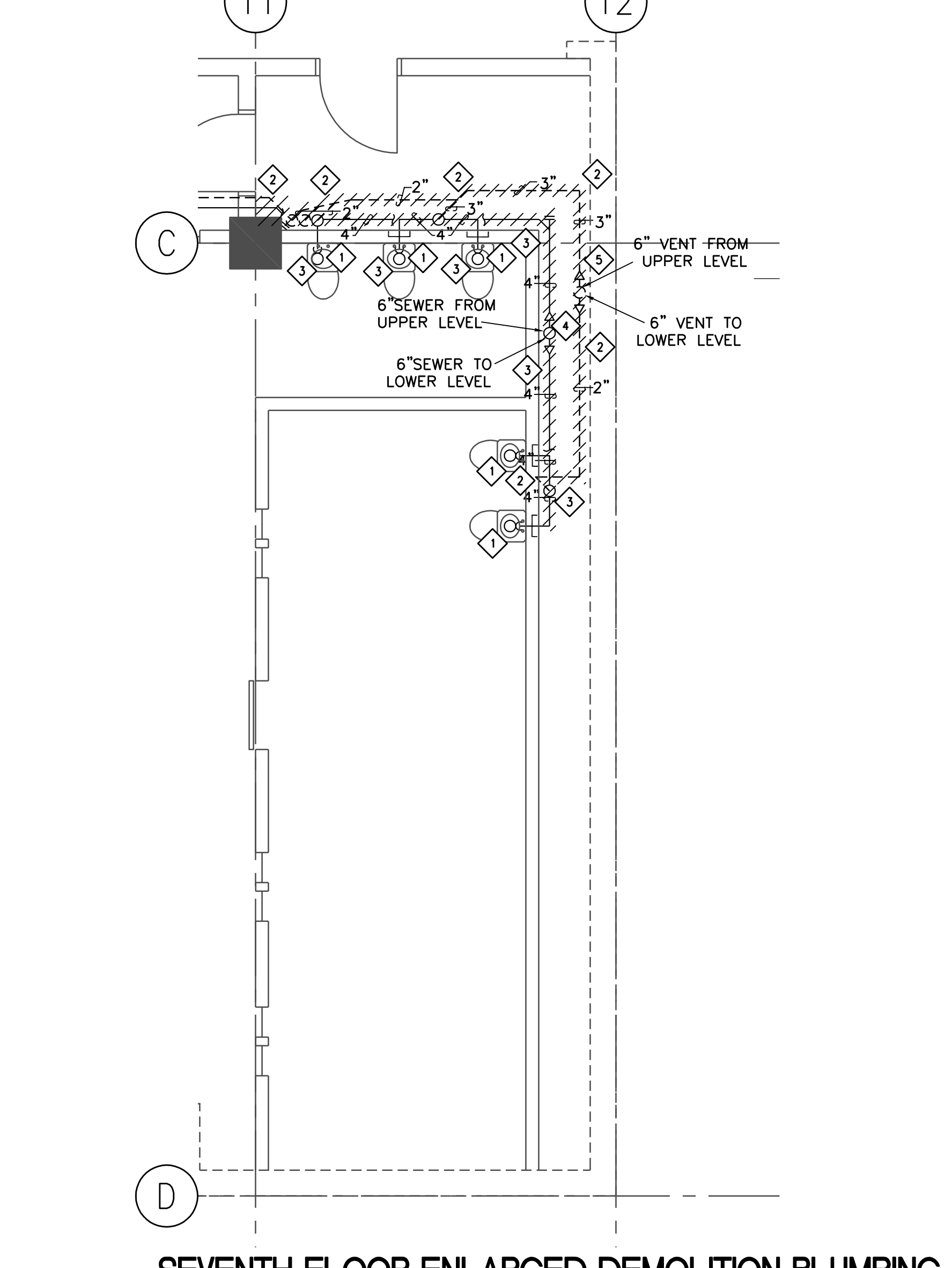
SEVENTH FLOOR ENLARGED DEMOLITION PLUMBING SEWER WASTE AND VENT PIPING FLOOR PLAN
SCALE 1/4" = 1'-0"
REFER TO REMODEL PLAN 3/P-522



SEVENTH FLOOR ENLARGED DEMOLITION PLUMBING SEWER WASTE AND VENT PIPING FLOOR PLAN
SCALE 1/4" = 1'-0"
REFER TO REMODEL PLAN 4/P-522

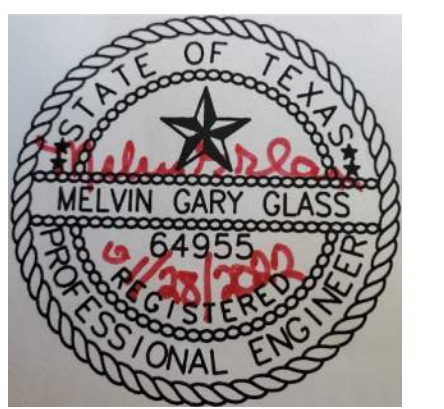


SEVENTH FLOOR ENLARGED DEMOLITION PLUMBING SEWER WASTE AND VENT PIPING FLOOR PLAN
SCALE 1/4" = 1'-0"
REFER TO REMODEL PLAN 5/P-522



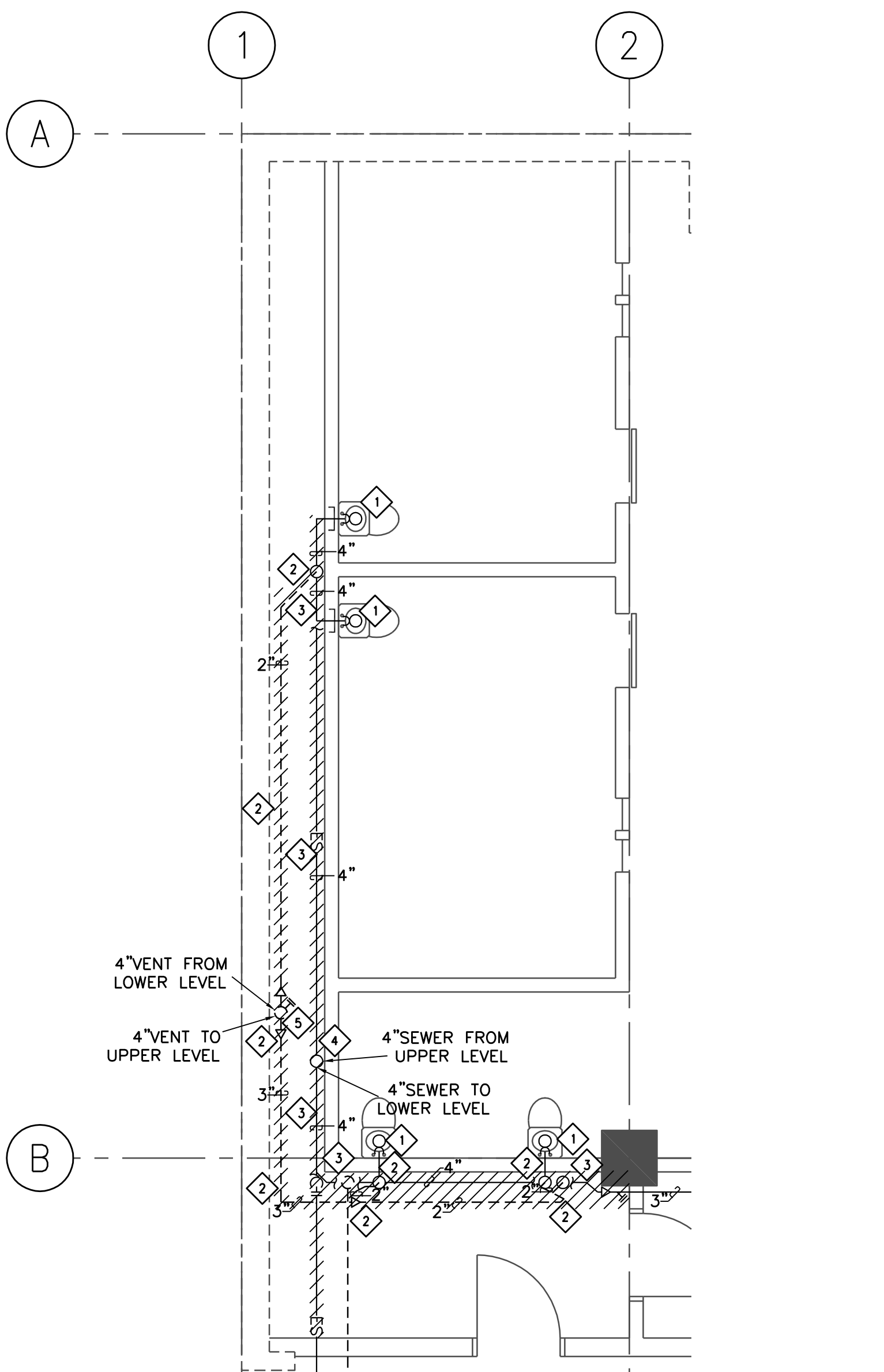
SEVENTH FLOOR ENLARGED DEMOLITION PLUMBING SEWER WASTE AND VENT PIPING FLOOR PLAN
SCALE 1/4" = 1'-0"
REFER TO REMODEL PLAN 6/P-522

THIS DOCUMENT, WHETHER IN HARD COPY OR MACHINE READABLE FORMAT, IS COPYRIGHTED AND AN INSTRUMENT OF SERVICES IN RESPECT TO THE PROJECT FOR WHICH IT WAS PREPARED. THIS DOCUMENT IS NOT INTENDED OR AUTHORIZED FOR REUSE BY ANY PARTY ON EXTENSIONS OF SUCH PROJECT OR ANY OTHER PROJECT. ANY REUSE, INCLUDING COPYING AND/OR MODIFYING THE DOCUMENT, WITHOUT WRITTEN PERMISSION FROM EMC ENGINEERS FOR THE SPECIFIC PURPOSE INTENDED IS A VIOLATION OF FEDERAL COPYRIGHT LAW. UNAUTHORIZED USE OF THIS MATERIAL MAY RESULT IN CIVIL AND/OR CRIMINAL PENALTIES.
COPY RIGHT 2013 EMC ENGINEERS.

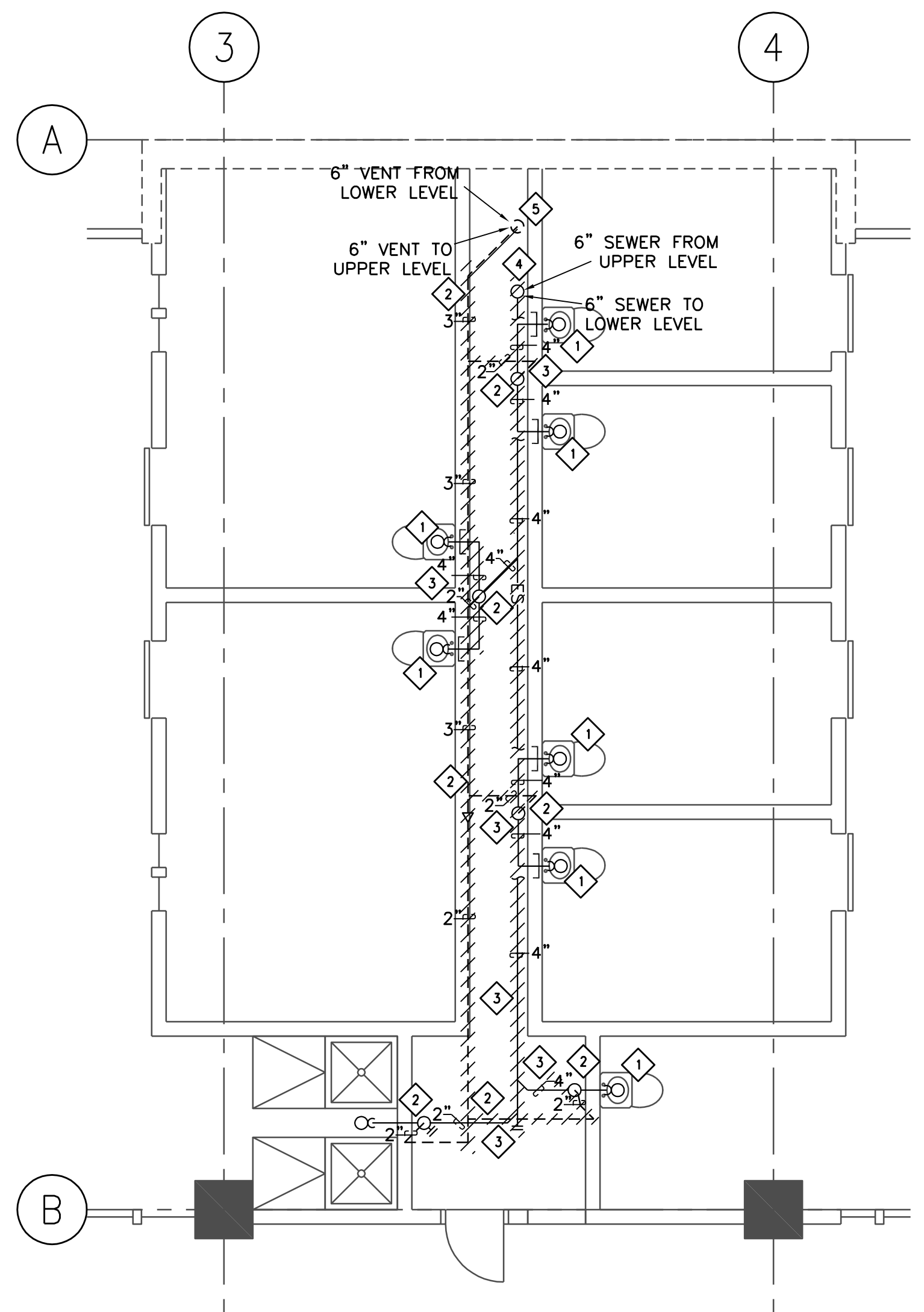


THE SEAL APPEARING ON THIS DOCUMENT WAS AUTHORIZED BY MELVIN G. GLASS, P.E. #64935 OF EMC ENGINEERS (TEXAS FIRM REG. #24991) ON JANUARY 28, 2022. ALTERATION OF A SEALED DOCUMENT WITHOUT PROPER NOTIFICATION TO THE RESPONSIBLE ENGINEER IS AN OFFENSE UNDER THE TEXAS ENGINEERING PRACTICE ACT.

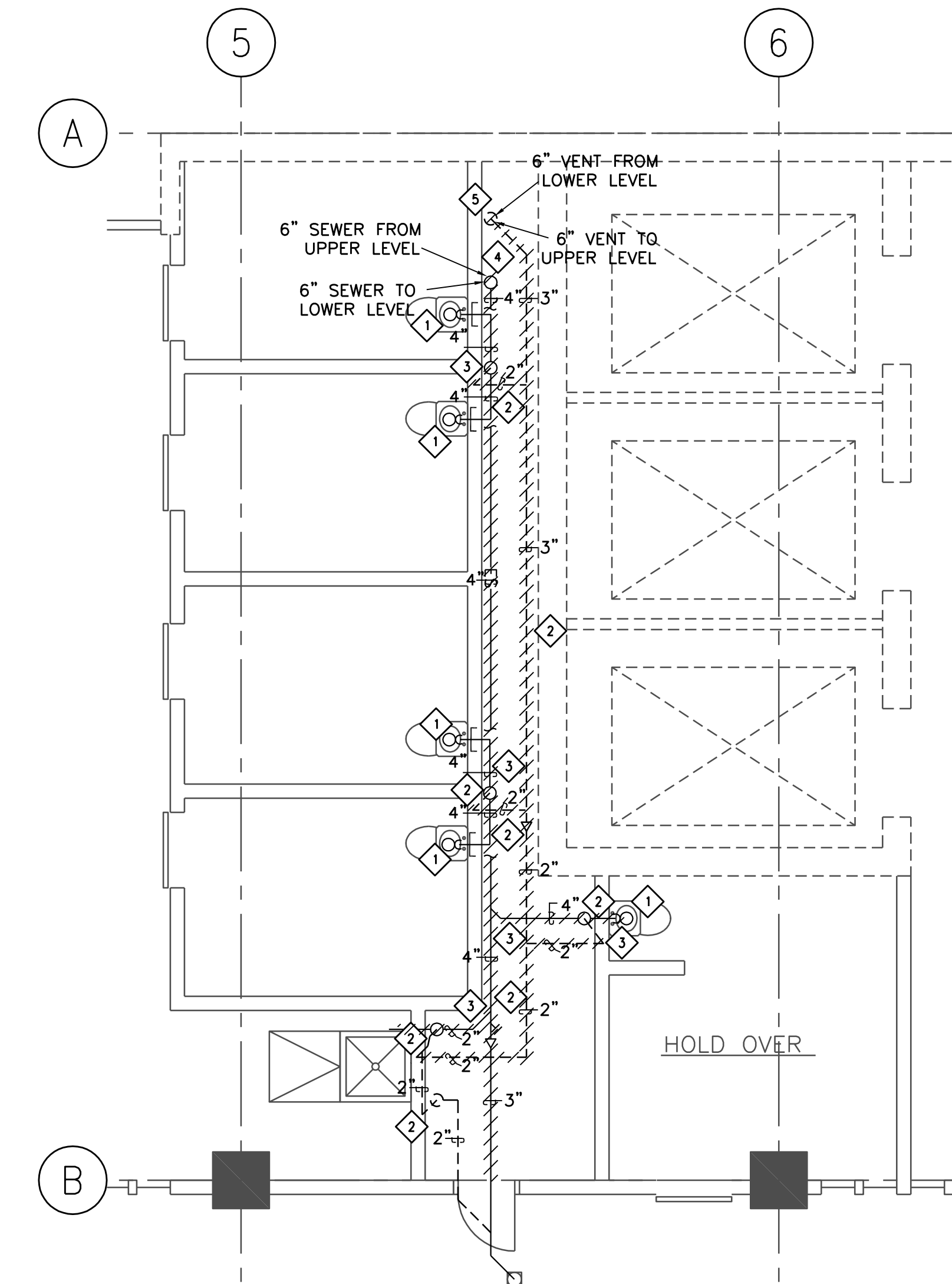
Project:	UPGRADE AND REPLACE THE SANITARY SEWER SYSTEM AT THE EL PASO COUNTY DETENTION FACILITY
Location:	601 E OVERLAND STREET EL PASO, TEXAS
Job Number:	ETC-2108022
Date:	11/23/2021
Scale:	AS SHOWN
Sheet:	P-3.11
31 of:	X



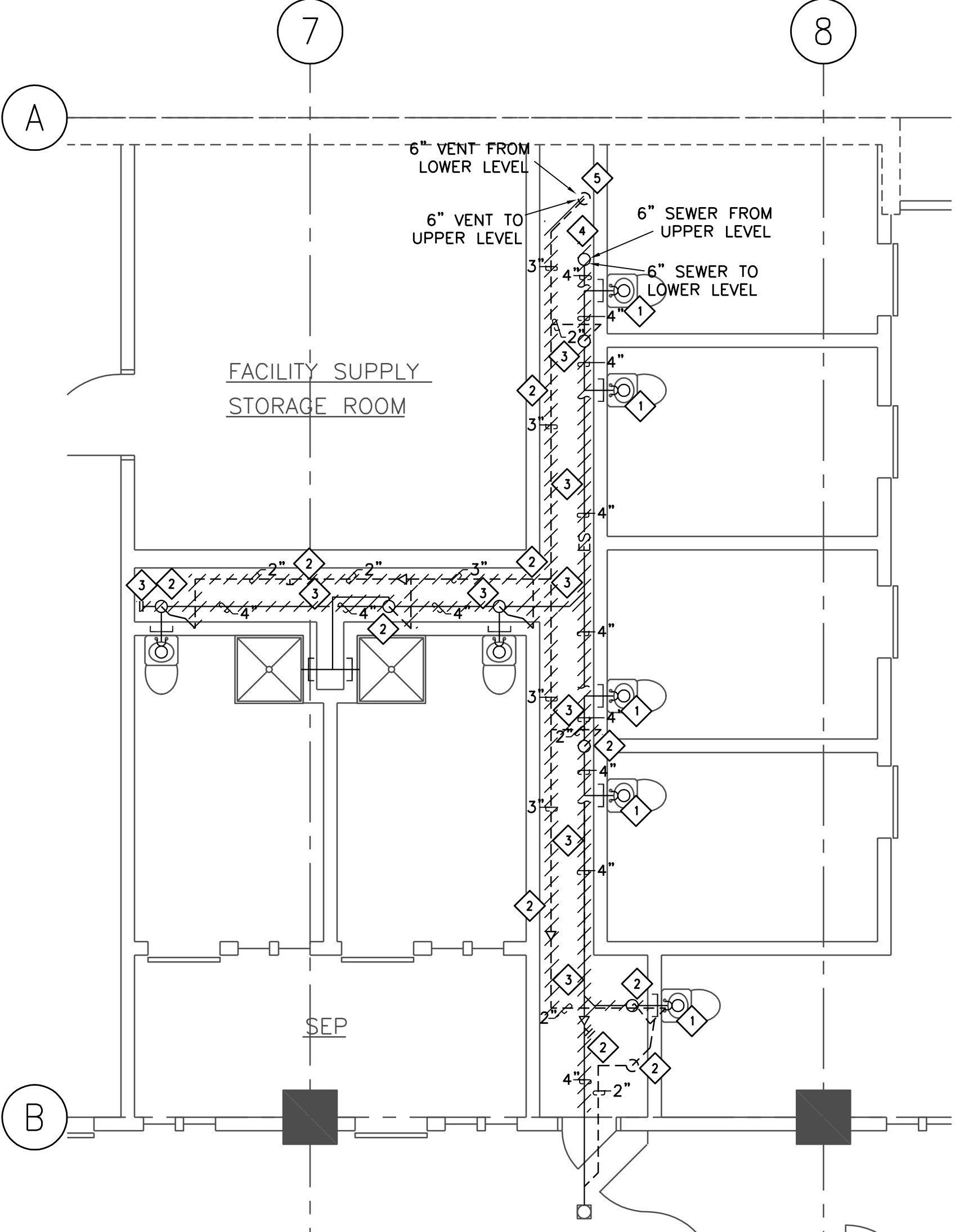
EIGHTH FLOOR ENLARGED DEMOLITION PLUMBING SEWER WASTE AND VENT PIPING FLOOR PLAN
 SCALE 1/4" = 1'-0"
 REFER TO REMODEL PLAN 1/P-528



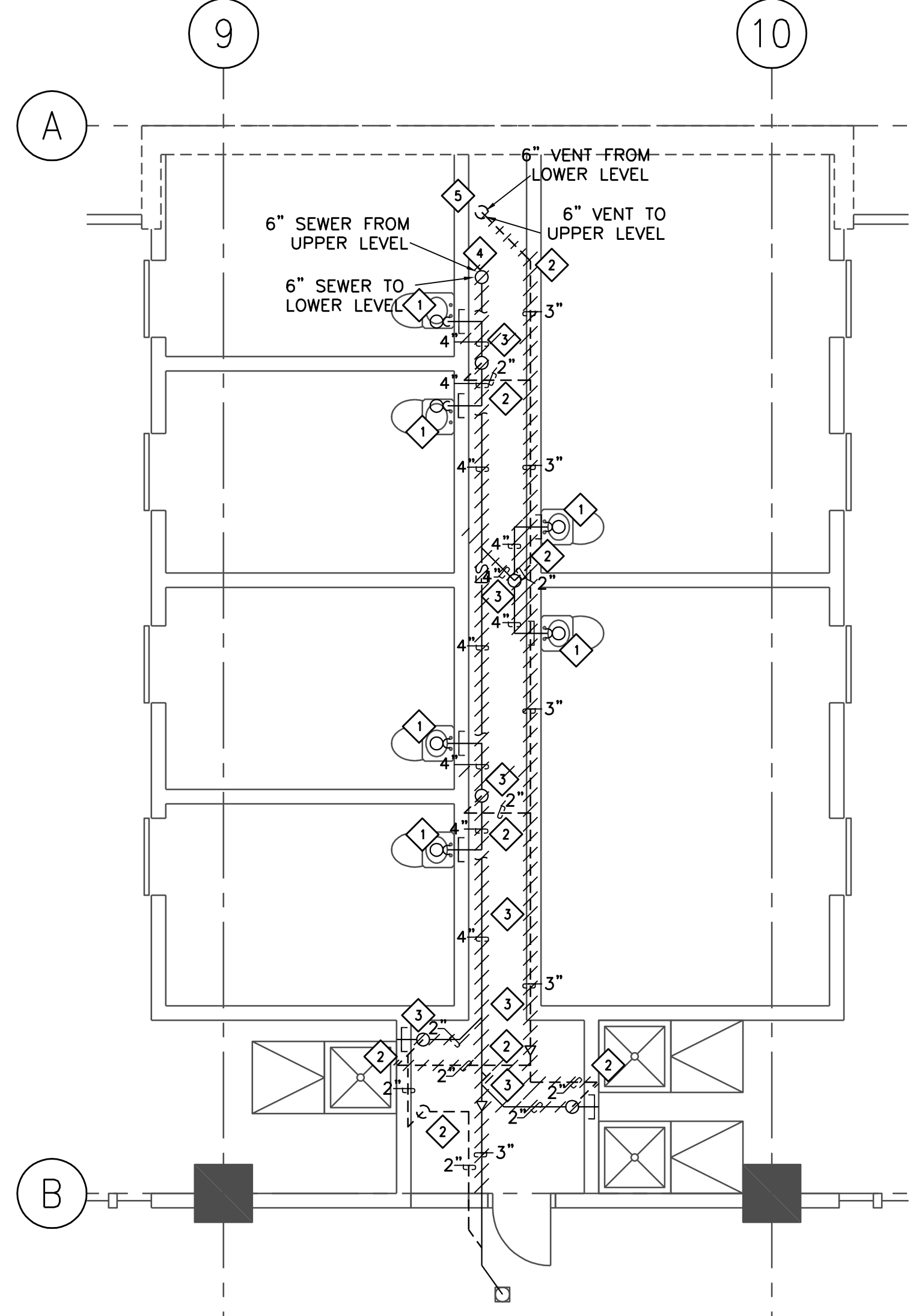
EIGHTH FLOOR ENLARGED DEMOLITION PLUMBING SEWER WASTE AND VENT PIPING FLOOR PLAN
 SCALE 1/4" = 1'-0"
 REFER TO REMODEL PLAN 2/P-528



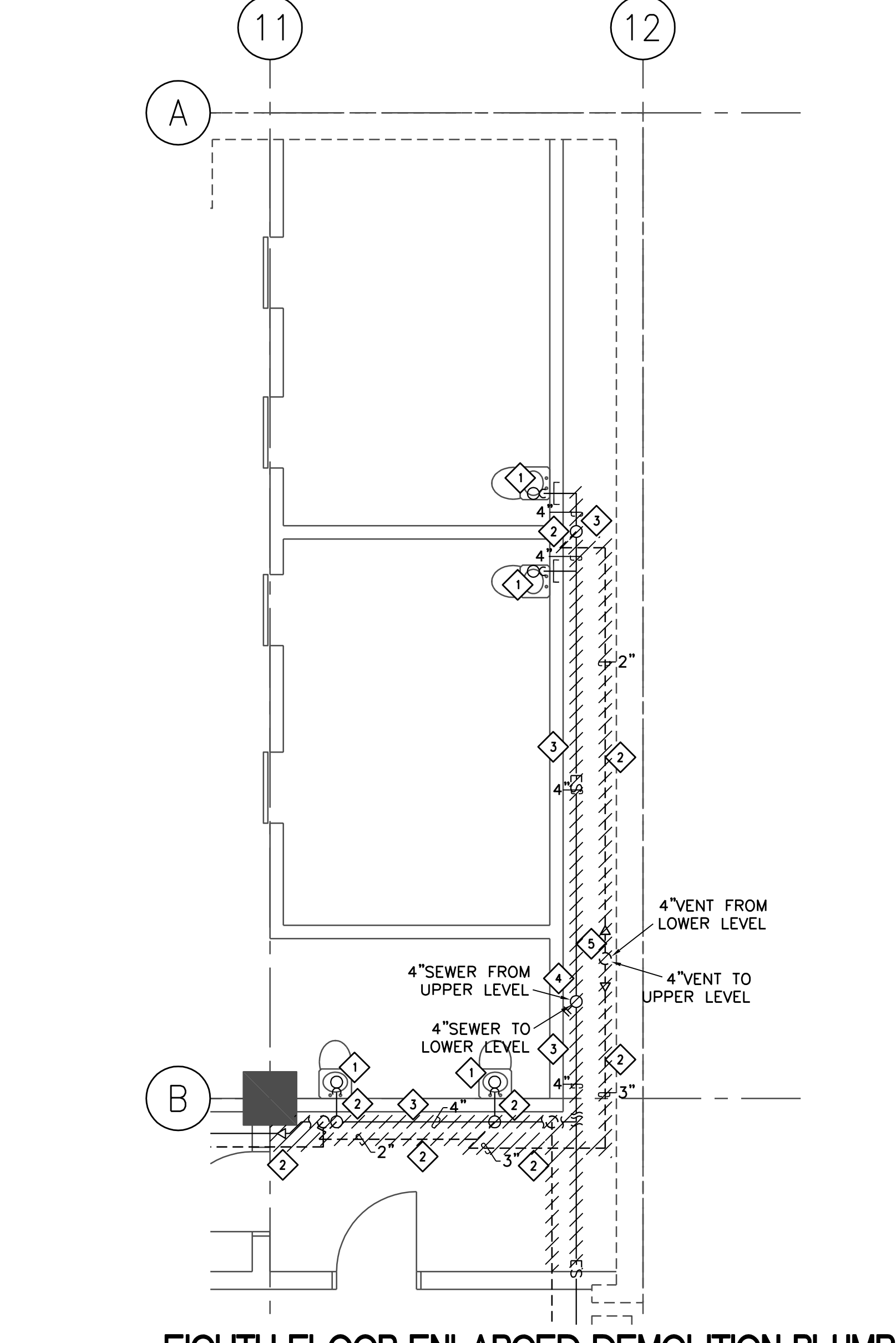
EIGHTH FLOOR ENLARGED DEMOLITION PLUMBING SEWER WASTE AND VENT PIPING FLOOR PLAN
 SCALE 1/4" = 1'-0"
 REFER TO REMODEL PLAN 3/P-528



EIGHTH FLOOR ENLARGED DEMOLITION PLUMBING SEWER WASTE AND VENT PIPING FLOOR PLAN
 SCALE 1/4" = 1'-0"
 REFER TO REMODEL PLAN 1/P-524



EIGHTH FLOOR ENLARGED DEMOLITION PLUMBING SEWER WASTE AND VENT PIPING FLOOR PLAN
 SCALE 1/4" = 1'-0"
 REFER TO REMODEL PLAN 2/P-524



EIGHTH FLOOR ENLARGED DEMOLITION PLUMBING SEWER WASTE AND VENT PIPING FLOOR PLAN
 SCALE 1/4" = 1'-0"
 REFER TO REMODEL PLAN 3/P-524

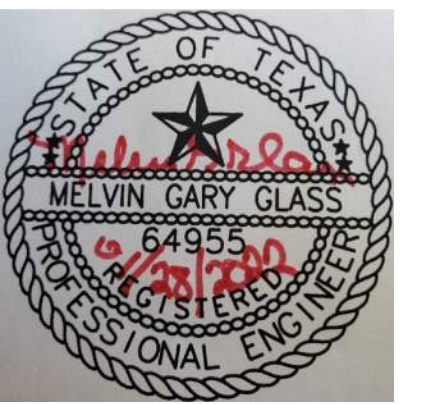
DEMOLITION PLUMBING GENERAL NOTES:

- 1 THE INTENT OF THE DEMOLITION AND REPLACEMENT OF THE SEWER AND VENTING SYSTEMS FOR THE FACILITY. THIS FACILITY IS A 24/7 SECURED OPERATION FACILITY. SO THE CONTRACTOR SHALL COORDINATE ALL DEMOLITION AND REMODEL WORK WITH THE DETENTION PERSONNEL.
- 2 DEMOLITION SEWER AND VENT WORK SHOWN HATCHED, EXISTING WORK TO REMAIN IS UNHATCHED.
- 3 SOME PLUMBING CHASES CONTAIN MECHANICAL DUCTWORK, THE CONTRACTOR SHALL COORDINATE THE REMOVAL OF EXISTING SEWER AND VENT PIPING WITH THIS DUCTWORK.

DEMOLITION PLUMBING KEYED NOTES:

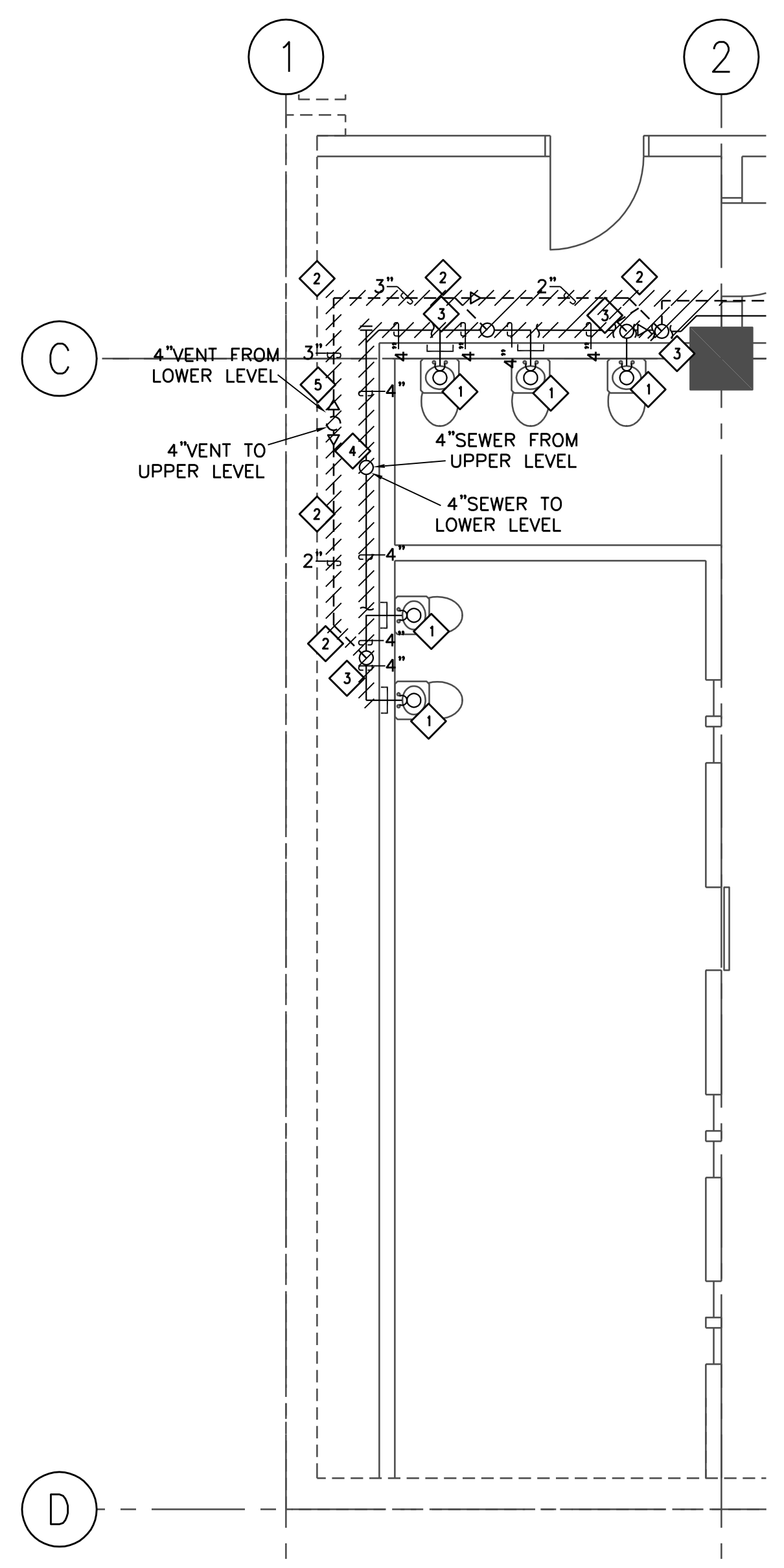
- 1 EXISTING SEWER FROM THE CELL WATERCLOSET/SINK COMBO IS TO BE REMOVED FROM THE FIXTURE CONNECTION TO THE FLOOR PENETRATION, REFER TO REMODEL DRAWINGS P-5.XX AS NOTED ON PLAN FOR FURTHER INFORMATION.
- 2 EXISTING VENT PIPING IN CHASE TO BE REMOVED AND REPLACED REFER TO REMODEL DRAWINGS P-5.XX AS NOTED ON PLAN FOR FURTHER INFORMATION.
- 3 EXISTING SEWER PIPING IN CHASE BE REMOVED AND REPLACED, REFER TO REMODEL DRAWINGS P-5.XX AS NOTED ON PLAN FOR FURTHER INFORMATION.
- 4 EXISTING SEWER MAIN RISER TO BE REMOVED AND REPLACED, REFER TO REMODEL DRAWINGS P-5.XX AS NOTED ON PLAN FOR FURTHER INFORMATION.
- 5 EXISTING VENT MAIN RISER TO BE REMOVED AND REPLACED, REFER TO REMODEL DRAWINGS P-5.XX AS NOTED ON PLAN FOR FURTHER INFORMATION.

THIS DOCUMENT, WHETHER IN HARD COPY OR MACHINE READABLE FORMAT, IS COPYRIGHTED AND AN INSTRUMENT OF SERVICES IN RESPECT TO THE PROJECT FOR WHICH IT WAS PREPARED. THIS DOCUMENT IS NOT INTENDED OR AUTHORIZED FOR REUSE BY ANY PARTY ON EXTENSIONS OF SUCH PROJECT OR ANY OTHER PROJECT. ANY REUSE, INCLUDING COPYING AND/OR MODIFYING THE DOCUMENT, WITHOUT WRITTEN PERMISSION FROM EMC ENGINEERS FOR THE SPECIFIC PURPOSE INTENDED IS A VIOLATION OF FEDERAL COPYRIGHT LAW. UNAUTHORIZED USE OF THIS MATERIAL MAY RESULT IN CIVIL AND/OR CRIMINAL PENALTIES.
 COPY RIGHT 2013 EMC ENGINEERS.

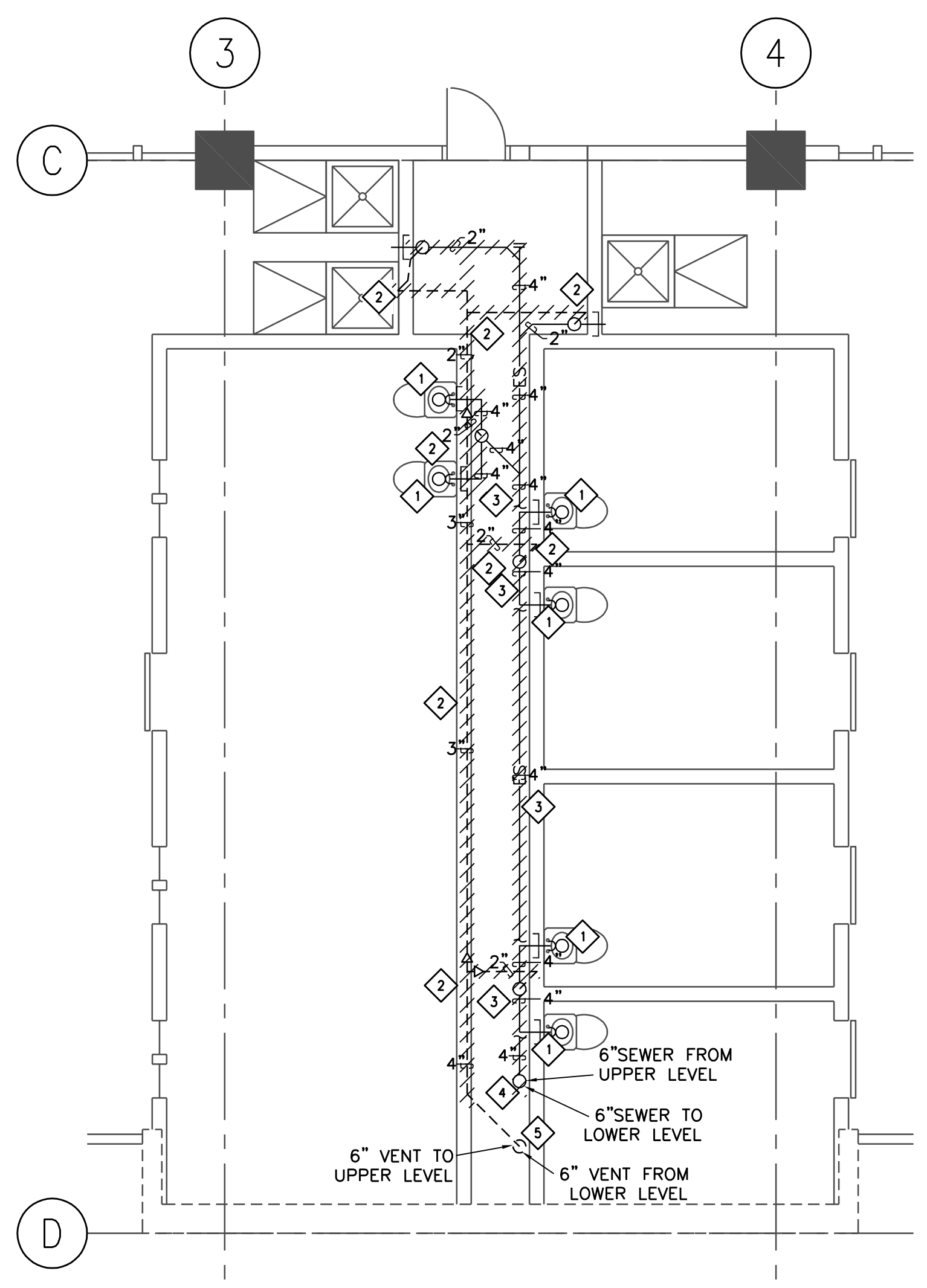


THE SEAL APPEARING ON THIS DOCUMENT WAS AUTHORIZED BY MELVIN G. GLASS, P.E. #64935 OF EMC ENGINEERS (TEAMS FIRM #E-24911) ON JANUARY 28, 2022. ALTERATION OF A SEALED DOCUMENT WITHOUT PROPER NOTIFICATION TO THE RESPONSIBLE ENGINEER IS AN OFFENSE UNDER THE TEXAS ENGINEERING PRACTICE ACT.

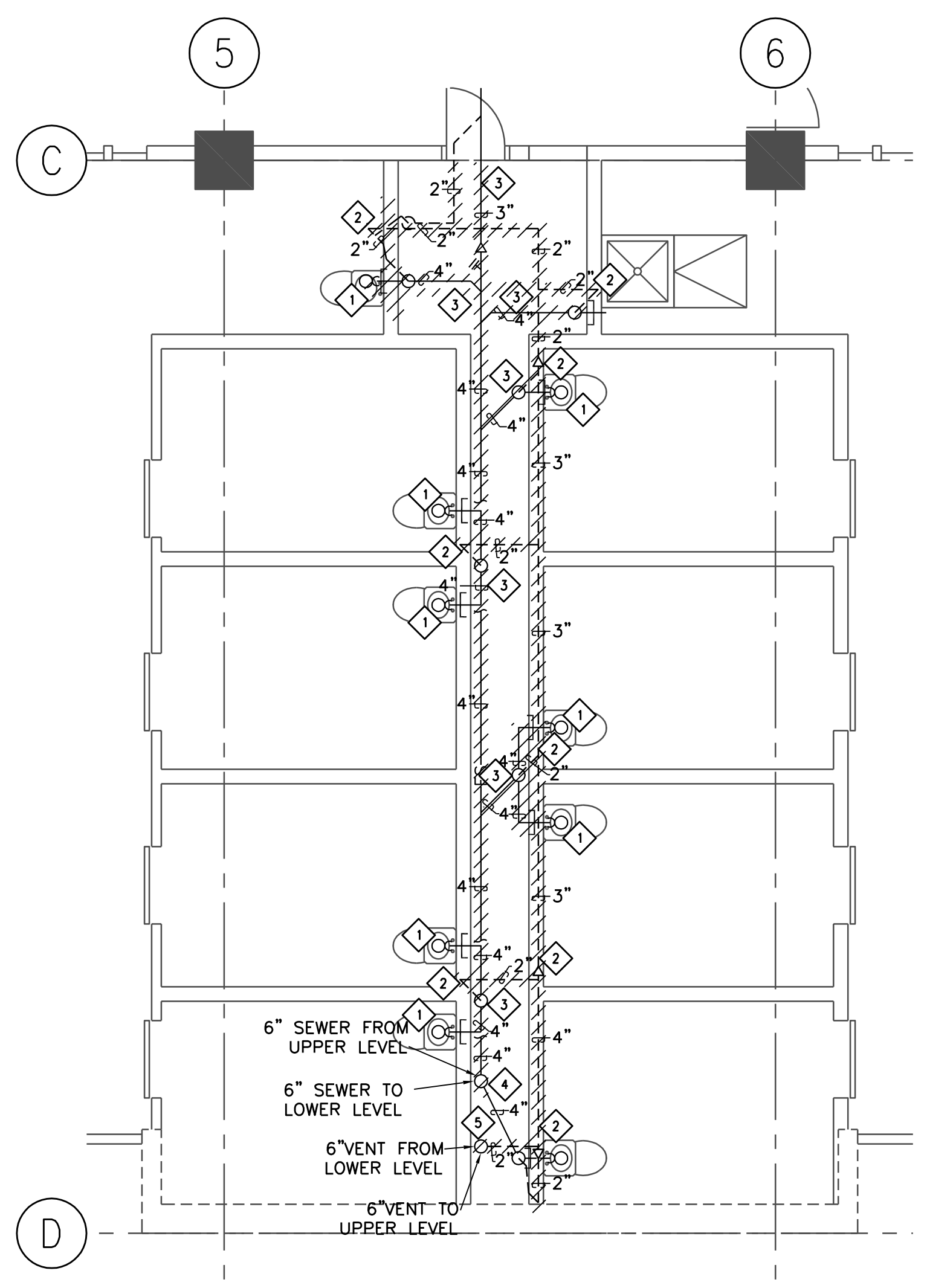
Project:	UPGRADE AND REPLACE THE SANITARY SEWER SYSTEM AT THE EL PASO COUNTY DETENTION FACILITY
Location:	601 E OVERLAND STREET EL PASO, TEXAS
Job Number:	ETC-2108022
Date:	11/23/2021
Scale:	A5 SHOWN
Sheet	P-3.12
32 of: X	



EIGHTH FLOOR ENLARGED DEMOLITION PLUMBING SEWER WASTE AND VENT PIPING FLOOR PLAN
 1 P-3.12 SCALE 1/4" = 1'-0" REFER TO REMODEL PLAN 1/P-525



EIGHTH FLOOR ENLARGED DEMOLITION PLUMBING SEWER WASTE AND VENT PIPING FLOOR PLAN
 2 P-3.12 SCALE 1/4" = 1'-0" REFER TO REMODEL PLAN 2/P-525



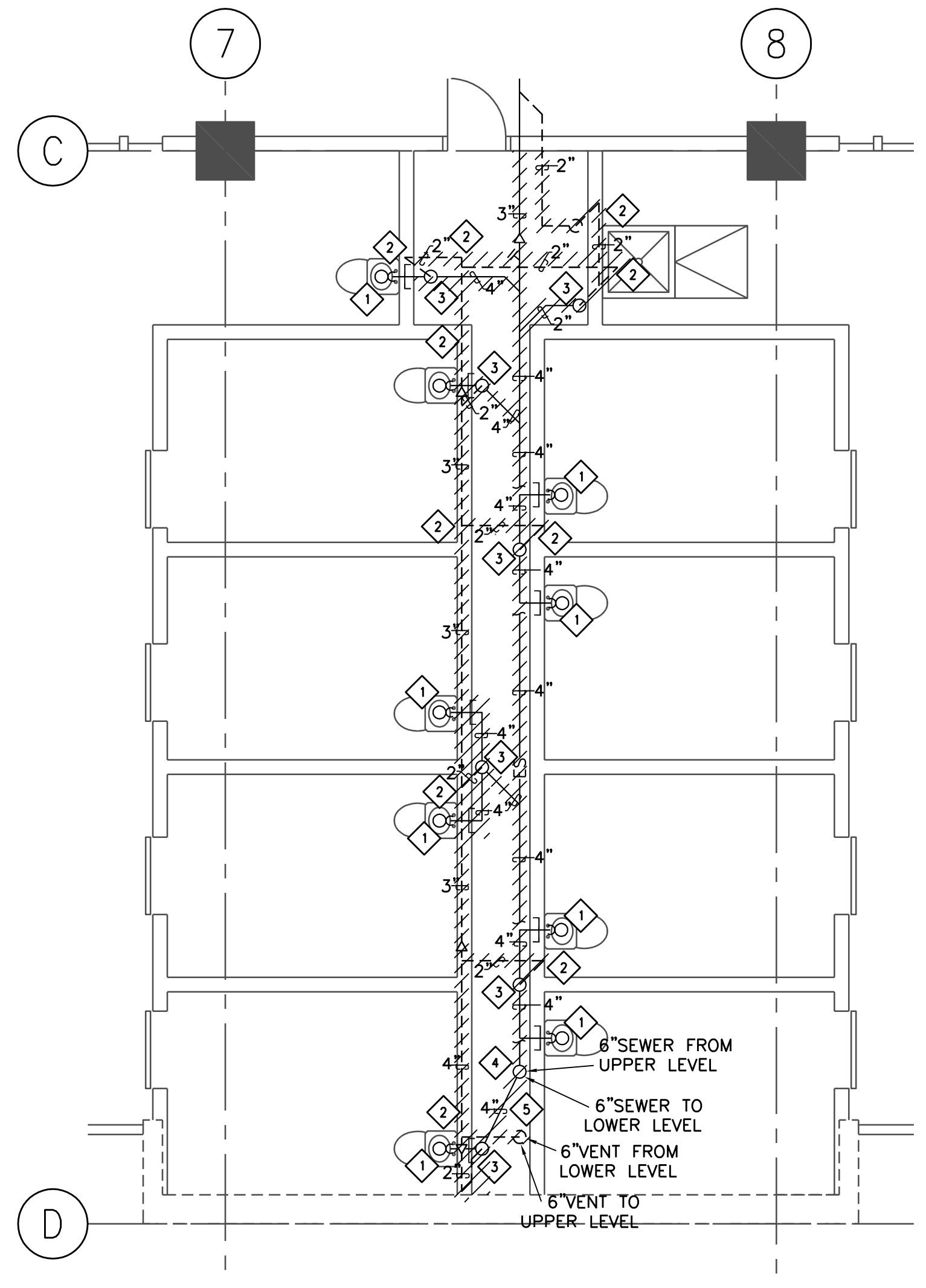
EIGHTH FLOOR ENLARGED DEMOLITION PLUMBING SEWER WASTE AND VENT PIPING FLOOR PLAN
 3 P-3.12 SCALE 1/4" = 1'-0" REFER TO REMODEL PLAN 3/P-525

DEMOLITION PLUMBING GENERAL NOTES:

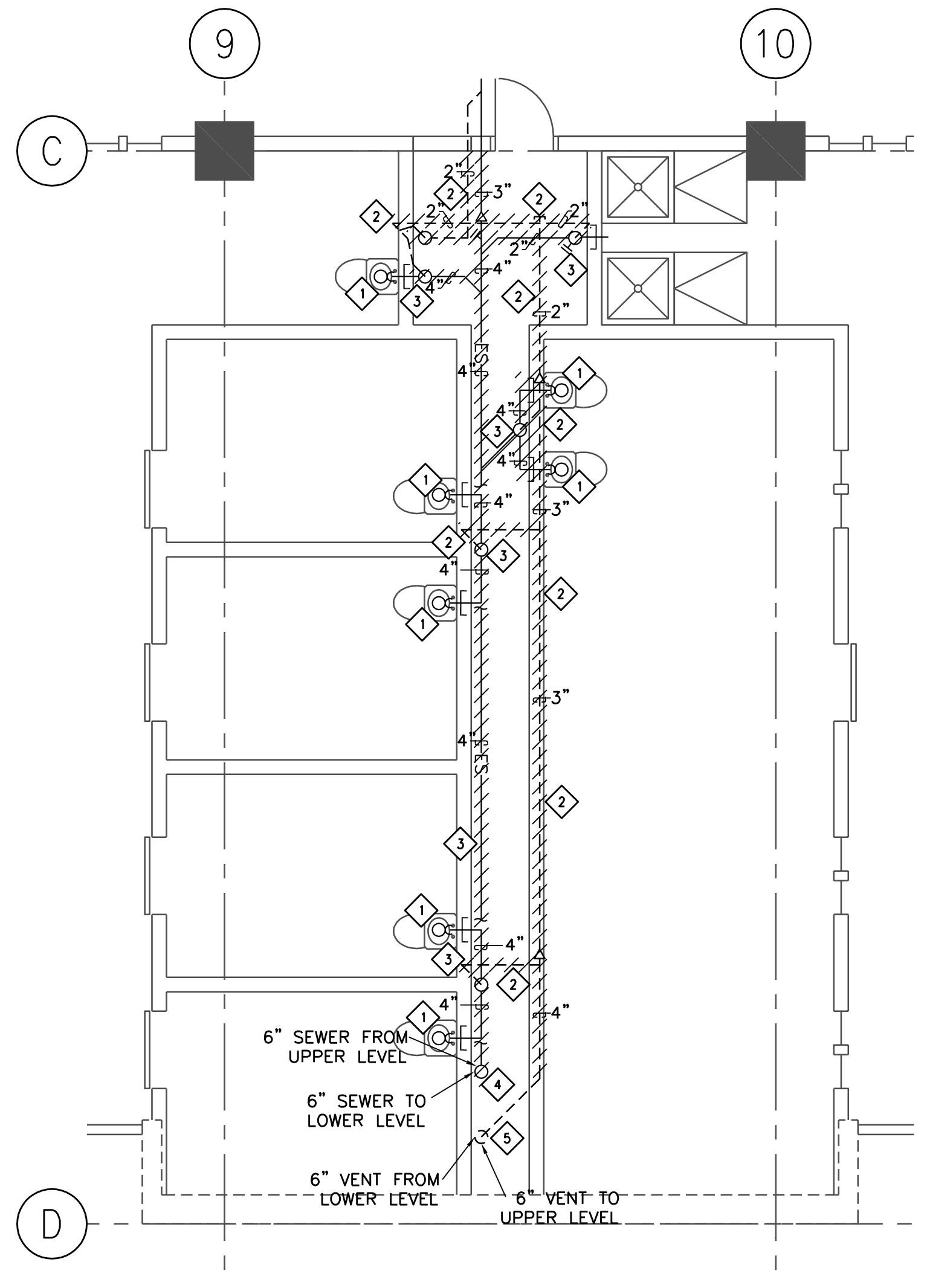
- 1 THE INTENT OF THE DEMOLITION AND REPLACEMENT OF THE SEWER AND VENTING SYSTEMS FOR THE FACILITY. THIS FACILITY IS A 24/7 SECURED OPERATION FACILITY. SO THE CONTRACTOR SHALL COORDINATE ALL DEMOLITION AND REMODEL WORK WITH THE DETENTION PERSONNEL.
- 2 DEMOLITION SEWER AND VENT WORK SHOWN HATCHED, EXISTING WORK TO REMAIN IS UNHATCHED.
- 3 SOME PLUMBING CHASES CONTAIN MECHANICAL DUCTWORK, THE CONTRACTOR SHALL COORDINATE THE REMOVAL OF EXISTING SEWER AND VENT PIPING WITH THIS DUCTWORK.

DEMOLITION PLUMBING KEYED NOTES:

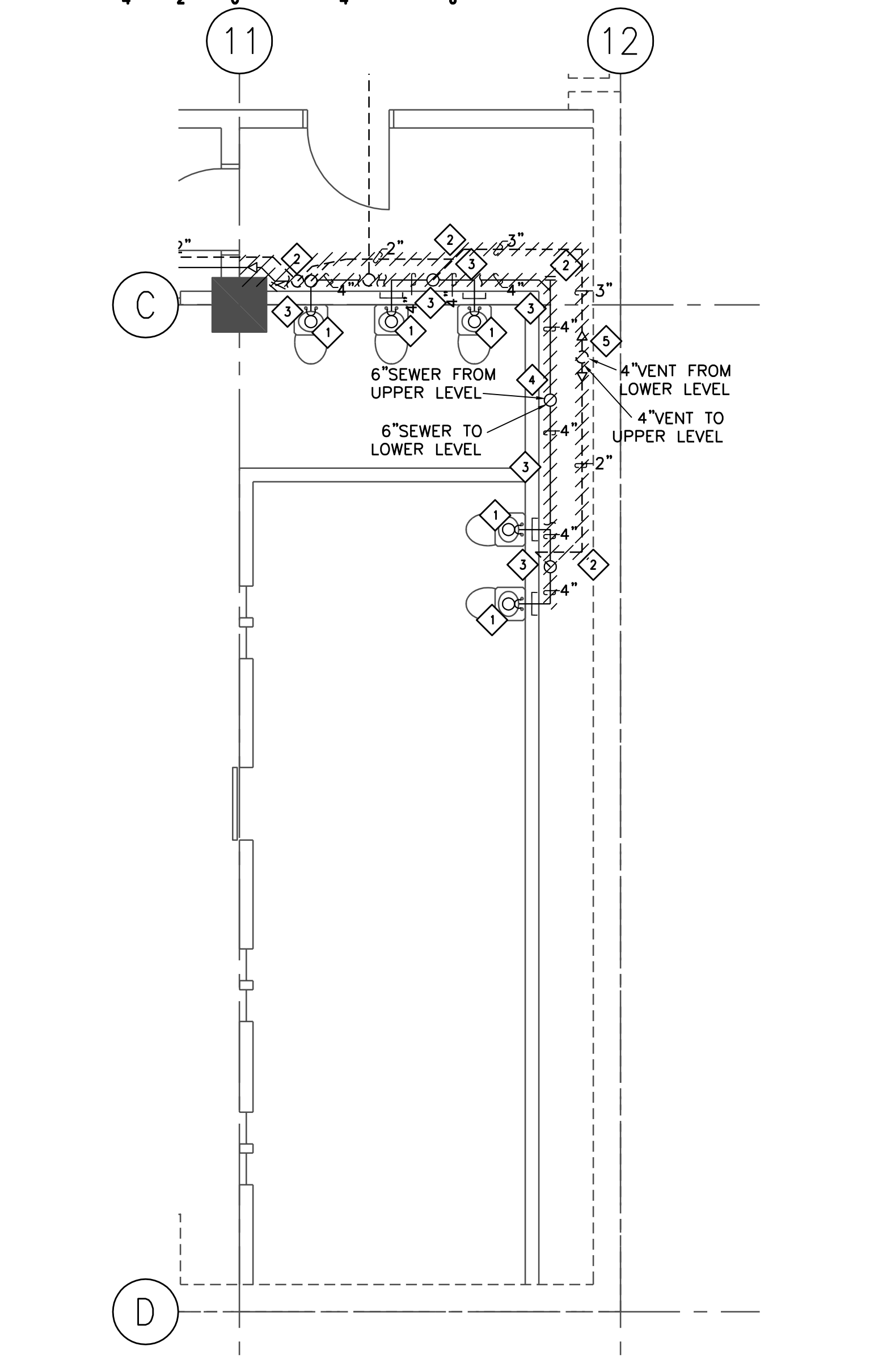
- 1 EXISTING SEWER FROM THE CELL WATERCLOSET/SINK COMBO IS TO BE REMOVED FROM THE FIXTURE CONNECTION TO THE FLOOR PENETRATION, REFER TO REMODEL DRAWINGS P-5.XX AS NOTED ON PLAN FOR FURTHER INFORMATION.
- 2 EXISTING VENT PIPING IN CHASE TO BE REMOVED AND REPLACED REFER TO REMODEL DRAWINGS P-5.XX AS NOTED ON PLAN FOR FURTHER INFORMATION.
- 3 EXISTING SEWER PIPING IN CHASE BE REMOVED AND REPLACED, REFER TO REMODEL DRAWINGS P-5.XX AS NOTED ON PLAN FOR FURTHER INFORMATION.
- 4 EXISTING SEWER MAIN RISER TO BE REMOVED AND REPLACED, REFER TO REMODEL DRAWINGS P-5.XX AS NOTED ON PLAN FOR FURTHER INFORMATION.
- 5 EXISTING VENT MAIN RISER TO BE REMOVED AND REPLACED, REFER TO REMODEL DRAWINGS P-5.XX AS NOTED ON PLAN FOR FURTHER INFORMATION.



EIGHTH FLOOR ENLARGED DEMOLITION PLUMBING SEWER WASTE AND VENT PIPING FLOOR PLAN
 4 P-3.12 SCALE 1/4" = 1'-0" REFER TO REMODEL PLAN 1/P-525

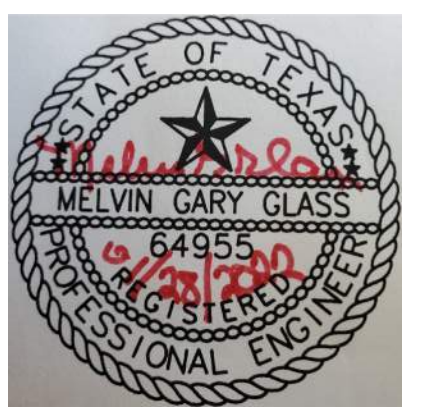


EIGHTH FLOOR ENLARGED DEMOLITION PLUMBING SEWER WASTE AND VENT PIPING FLOOR PLAN
 5 P-3.12 SCALE 1/4" = 1'-0" REFER TO REMODEL PLAN 2/P-525



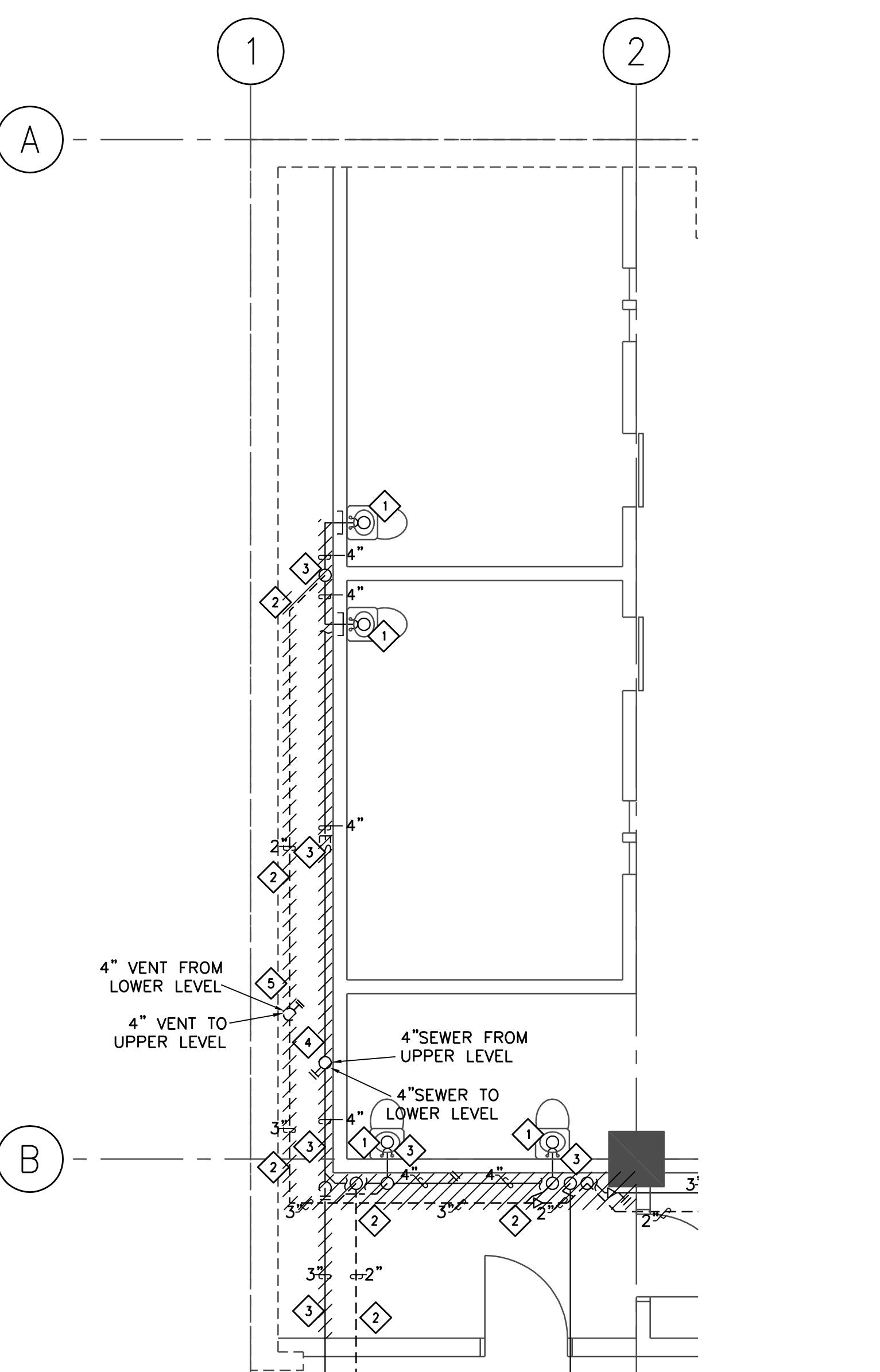
EIGHTH FLOOR ENLARGED DEMOLITION PLUMBING SEWER WASTE AND VENT PIPING FLOOR PLAN
 6 P-3.12 SCALE 1/4" = 1'-0" REFER TO REMODEL PLAN 3/P-525

THIS DOCUMENT, WHETHER IN HARD COPY OR MACHINE READABLE FORMAT, IS COPYRIGHTED AND AN INSTRUMENT OF SERVICES IN RESPECT TO THE PROJECT FOR WHICH IT WAS PREPARED. THIS DOCUMENT IS NOT INTENDED OR AUTHORIZED FOR REUSE BY ANY PARTY ON EXTENSIONS OF SUCH PROJECT OR ANY OTHER PROJECT. ANY REUSE, INCLUDING COPYING AND/OR MODIFYING THE DOCUMENT, WITHOUT WRITTEN PERMISSION FROM EMC ENGINEERS FOR THE SPECIFIC PURPOSE INTENDED IS A VIOLATION OF FEDERAL COPYRIGHT LAW. UNAUTHORIZED USE OF THIS MATERIAL MAY RESULT IN CIVIL AND/OR CRIMINAL PENALTIES.
 COPY RIGHT 2013 EMC ENGINEERS.

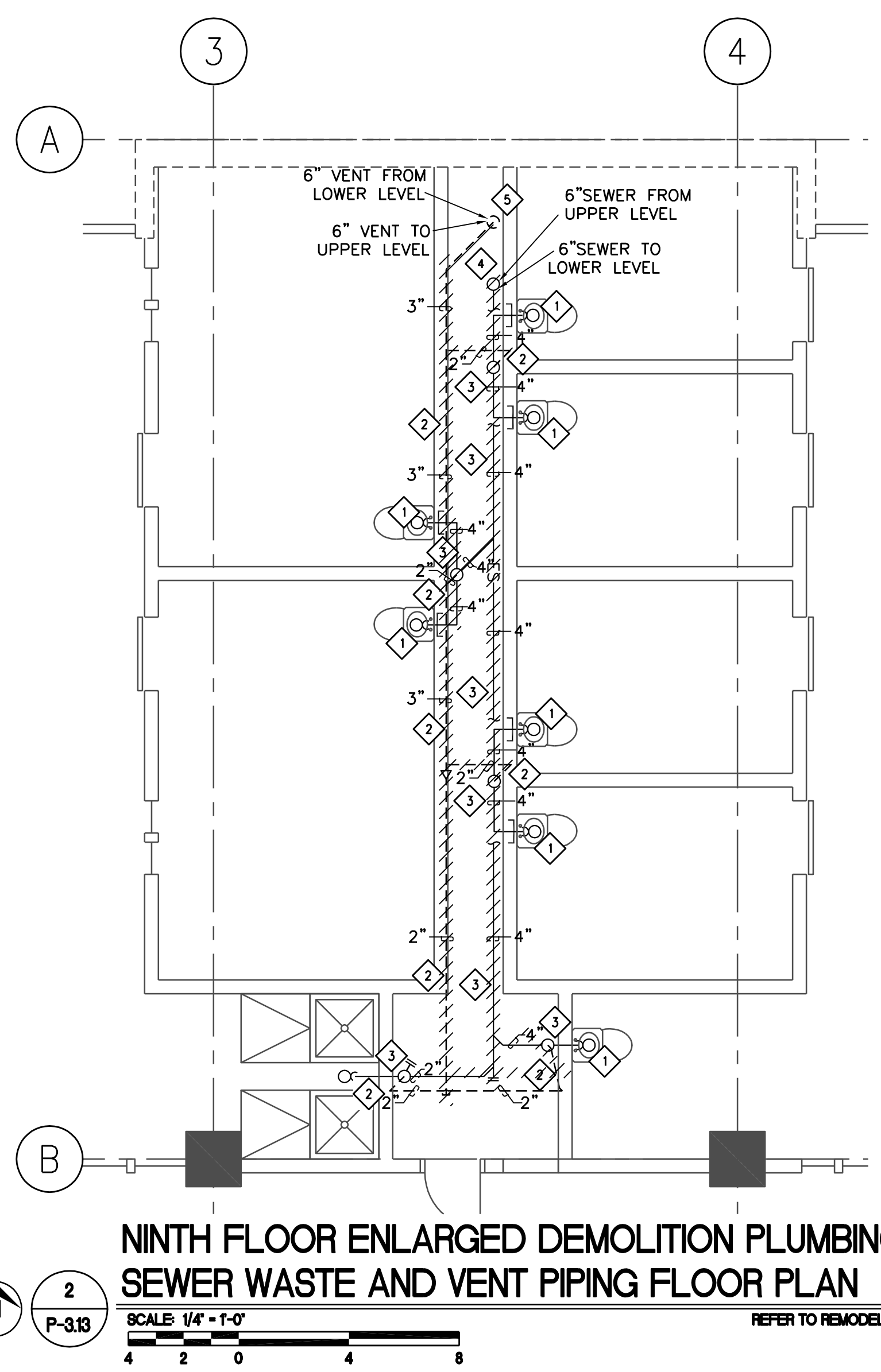


THE SEAL APPEARING ON THIS DOCUMENT WAS AUTHORIZED BY MELVIN G. GLASS, P.E. #64935 OF EMC ENGINEERS (TEXAS FIRM REG. #24991) ON JANUARY 28, 2022. ALTERATION OF A SEALED DOCUMENT WITHOUT PROPER NOTIFICATION TO THE RESPONSIBLE ENGINEER IS AN OFFENSE UNDER THE TEXAS ENGINEERING PRACTICE ACT.

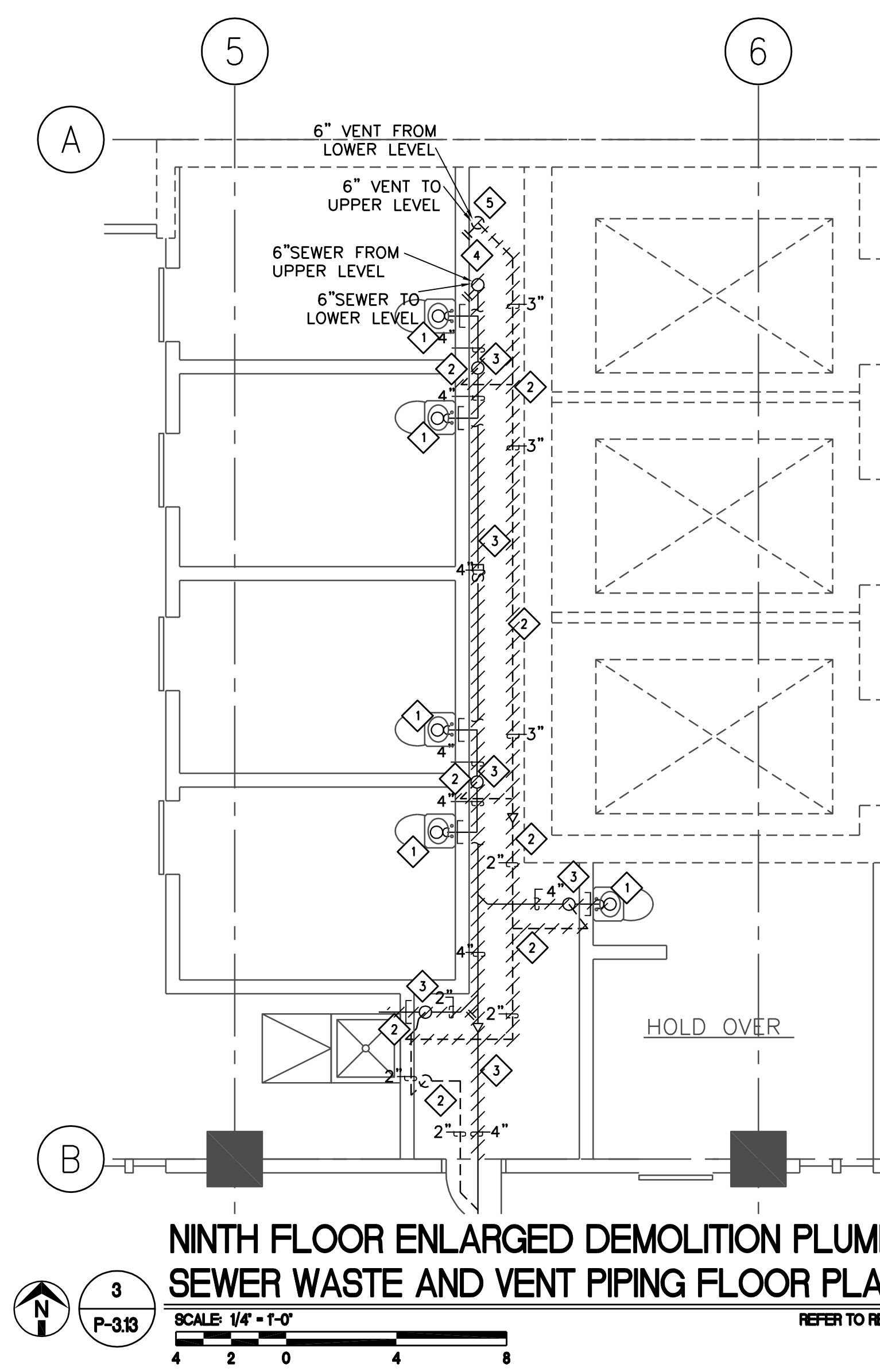
Project:	UPGRADE AND REPLACE THE SANITARY SEWER SYSTEM AT THE EL PASO COUNTY DETENTION FACILITY
Location:	601 E OVERLAND STREET EL PASO, TEXAS
Job Number:	ETC-2108022
Date:	11/23/2021
Scale:	AS SHOWN
Sheet	P-3.13
33 of:	X



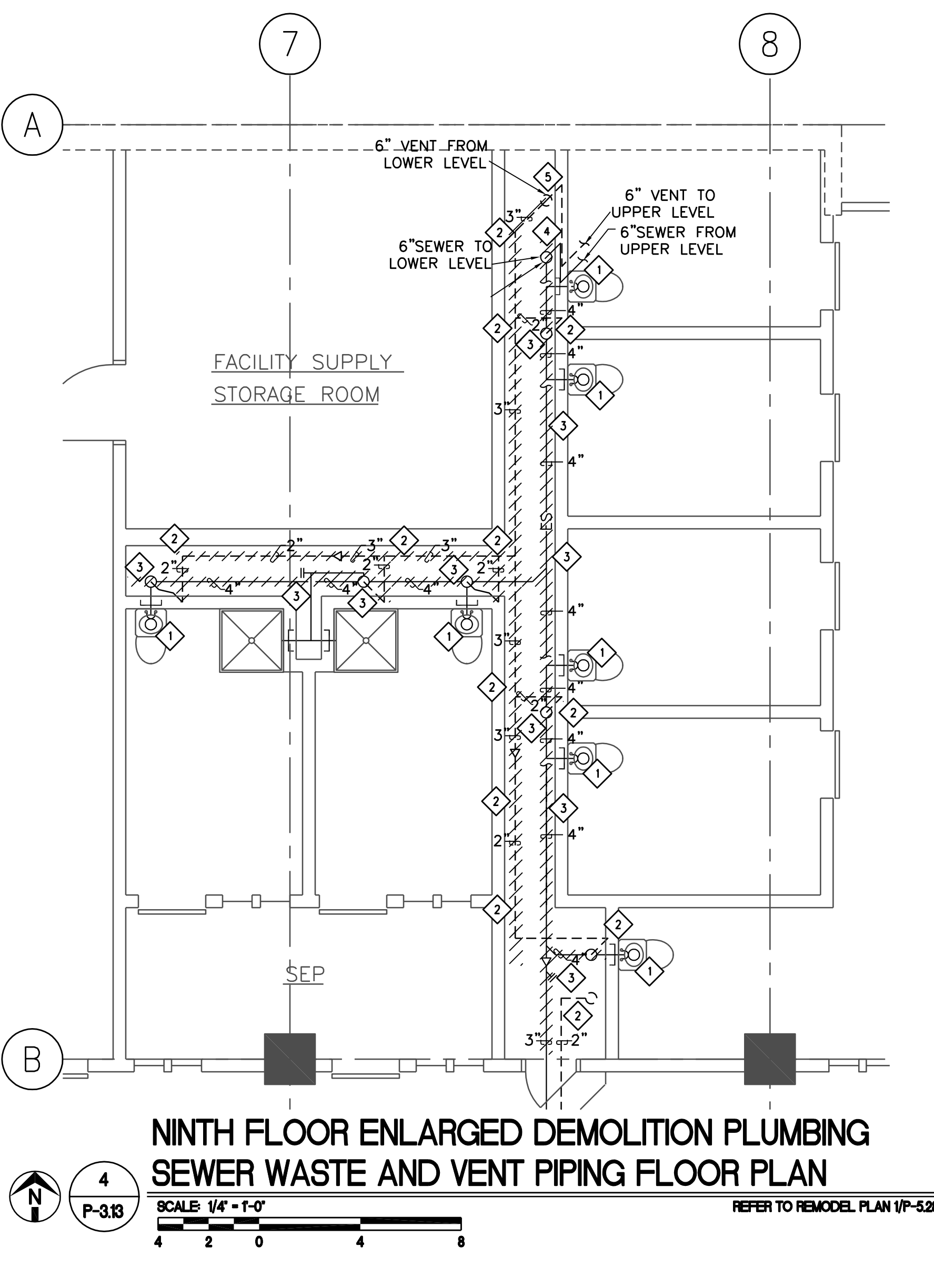
1
NINTH FLOOR ENLARGED DEMOLITION PLUMBING SEWER WASTE AND VENT PIPING FLOOR PLAN
SCALE 1/4" = 1'-0"
REFER TO REMODEL PLAN 1/P-527



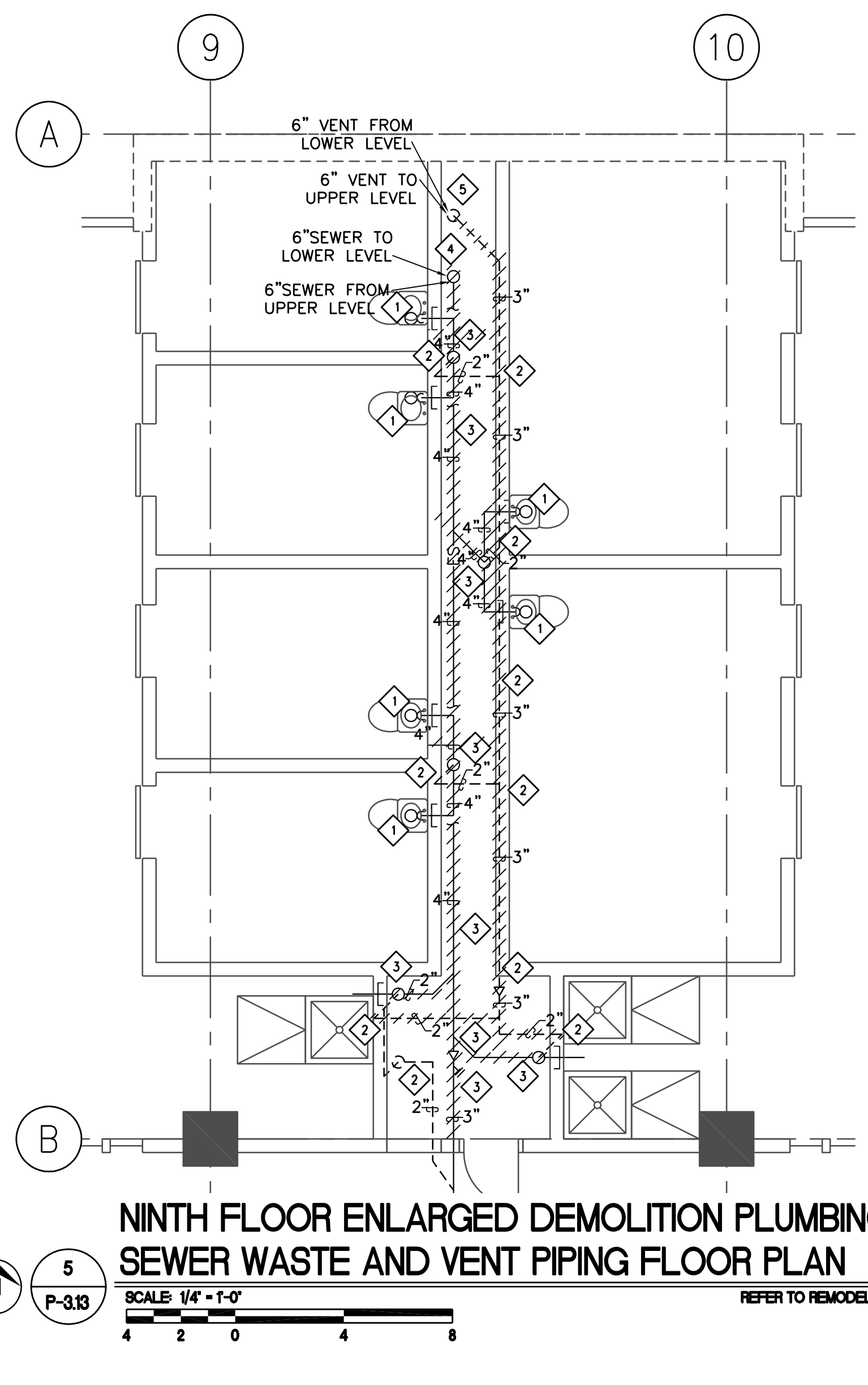
2
NINTH FLOOR ENLARGED DEMOLITION PLUMBING SEWER WASTE AND VENT PIPING FLOOR PLAN
SCALE 1/4" = 1'-0"
REFER TO REMODEL PLAN 2/P-527



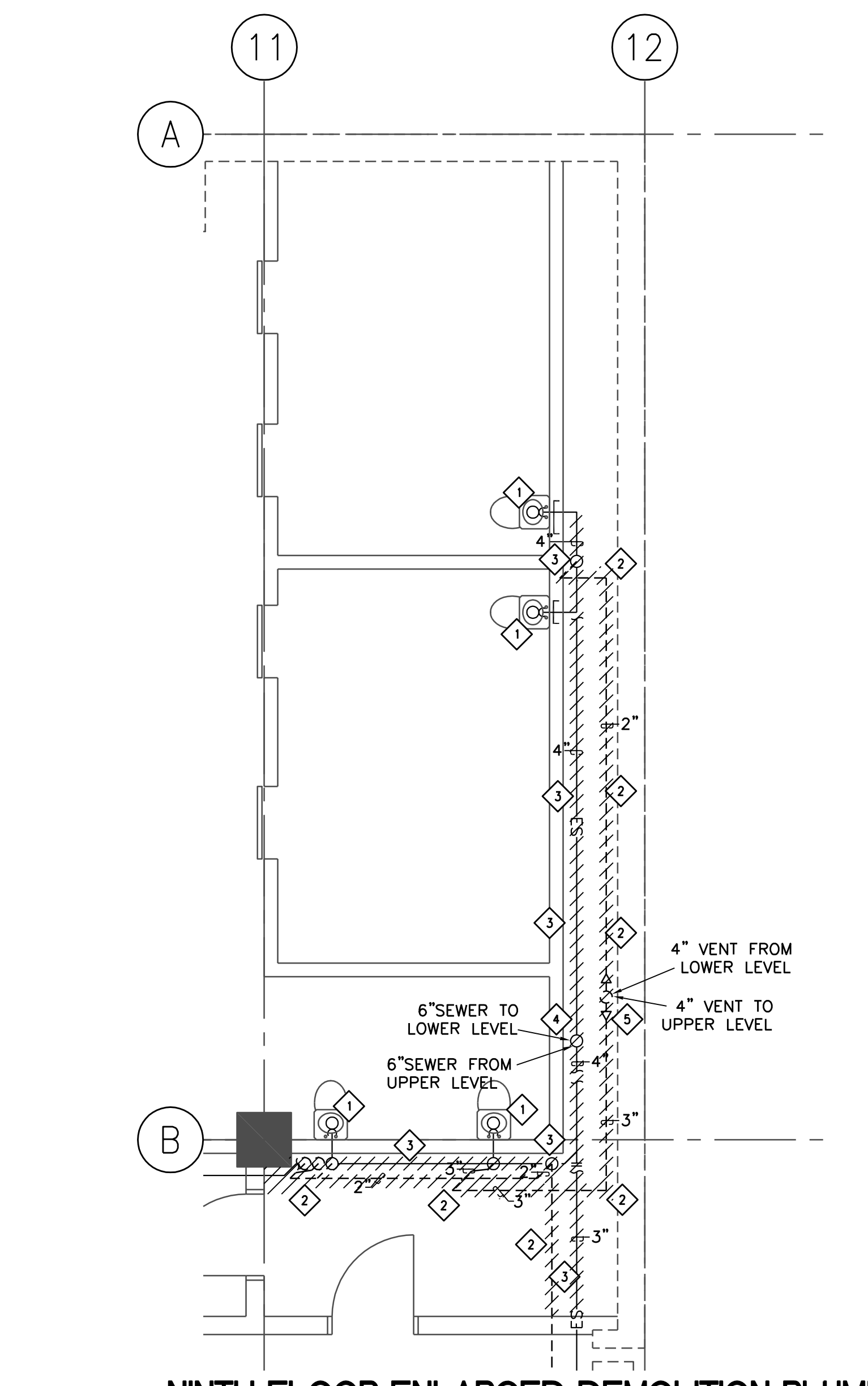
3
NINTH FLOOR ENLARGED DEMOLITION PLUMBING SEWER WASTE AND VENT PIPING FLOOR PLAN
SCALE 1/4" = 1'-0"
REFER TO REMODEL PLAN 3/P-527



4
NINTH FLOOR ENLARGED DEMOLITION PLUMBING SEWER WASTE AND VENT PIPING FLOOR PLAN
SCALE 1/4" = 1'-0"
REFER TO REMODEL PLAN 1/P-528



5
NINTH FLOOR ENLARGED DEMOLITION PLUMBING SEWER WASTE AND VENT PIPING FLOOR PLAN
SCALE 1/4" = 1'-0"
REFER TO REMODEL PLAN 2/P-528



6
NINTH FLOOR ENLARGED DEMOLITION PLUMBING SEWER WASTE AND VENT PIPING FLOOR PLAN
SCALE 1/4" = 1'-0"
REFER TO REMODEL PLAN 3/P-528

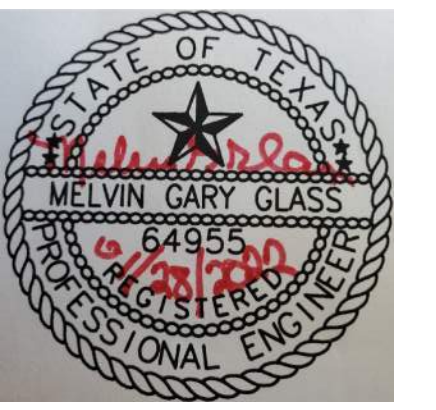
DEMOLITION PLUMBING GENERAL NOTES:

- 1 THE INTENT OF THE DEMOLITION AND REPLACEMENT OF THE SEWER AND VENTING SYSTEMS FOR THE FACILITY. THIS FACILITY IS A 24/7 SECURED OPERATION FACILITY. SO THE CONTRACTOR SHALL COORDINATE ALL DEMOLITION AND REMODEL WORK WITH THE DETENTION PERSONNEL.
- 2 DEMOLITION SEWER AND VENT WORK SHOWN HATCHED, EXISTING WORK TO REMAIN IS UNHATCHED.
- 3 SOME PLUMBING CHASES CONTAIN MECHANICAL DUCTWORK, THE CONTRACTOR SHALL COORDINATE THE REMOVAL OF EXISTING SEWER AND VENT PIPING WITH THIS DUCTWORK.

DEMOLITION PLUMBING KEYED NOTES:

- 1 EXISTING SEWER FROM THE CELL WATERCLOSET/SINK COMBO IS TO BE REMOVED FROM THE FIXTURE CONNECTION TO THE FLOOR PENETRATION, REFER TO REMODEL DRAWINGS P-5.XX AS NOTED ON PLAN FOR FURTHER INFORMATION.
- 2 EXISTING VENT PIPING IN CHASE TO BE REMOVED AND REPLACED REFER TO REMODEL DRAWINGS P-5.XX AS NOTED ON PLAN FOR FURTHER INFORMATION.
- 3 EXISTING SEWER PIPING IN CHASE BE REMOVED AND REPLACED, REFER TO REMODEL DRAWINGS P-5.XX AS NOTED ON PLAN FOR FURTHER INFORMATION.
- 4 EXISTING SEWER MAIN RISER TO BE REMOVED AND REPLACED, REFER TO REMODEL DRAWINGS P-5.XX AS NOTED ON PLAN FOR FURTHER INFORMATION.
- 5 EXISTING VENT MAIN RISER TO BE REMOVED AND REPLACED, REFER TO REMODEL DRAWINGS P-5.XX AS NOTED ON PLAN FOR FURTHER INFORMATION.

THIS DOCUMENT, WHETHER IN HARD COPY OR MACHINE READABLE FORMAT, IS COPYRIGHTED AND AN INSTRUMENT OF SERVICES IN RESPECT TO THE PROJECT FOR WHICH IT WAS PREPARED. THIS DOCUMENT IS NOT INTENDED OR AUTHORIZED FOR REUSE BY ANY PARTY ON EXTENSIONS OF SUCH PROJECT OR ANY OTHER PROJECT. ANY REUSE, INCLUDING COPYING AND/OR MODIFYING THE DOCUMENT, WITHOUT WRITTEN PERMISSION FROM EMC ENGINEERS FOR THE SPECIFIC PURPOSE INTENDED IS A VIOLATION OF FEDERAL COPYRIGHT LAW. UNAUTHORIZED USE OF THIS MATERIAL MAY RESULT IN CIVIL AND/OR CRIMINAL PENALTIES.
COPY RIGHT 2013 EMC ENGINEERS.



THE SEAL APPEARING ON THIS DOCUMENT WAS AUTHORIZED BY MELVIN G. GLASS, P.E. #64935 OF EMC ENGINEERS (TEXAS FIRM NO. P-314) ON JANUARY 28, 2022. ALTERATION OF A SEALED DOCUMENT WITHOUT PROPER NOTIFICATION TO THE RESPONSIBLE ENGINEER IS AN OFFENSE UNDER THE TEXAS ENGINEERING PRACTICE ACT.

Project:	UPGRADE AND REPLACE THE SANITARY SEWER SYSTEM AT THE EL PASO COUNTY DETENTION FACILITY
Location:	601 E OVERLAND STREET EL PASO, TEXAS
Job Number:	ETC-2108022
Date:	11/23/2021
Scale:	A5 SHOWN
Sheet:	P-3.14
34 of:	X

Rev.#/Date	Initial	Revision Description:

EMC ENGINEERS
2311 E. BUSINESS AVENUE SUITE 200
EL PASO, TEXAS 79902
TEL: 915-781-2030
FAX: 915-781-2030
WWW.EMCENGINEERS.COM
EMC PROJECT #2108022

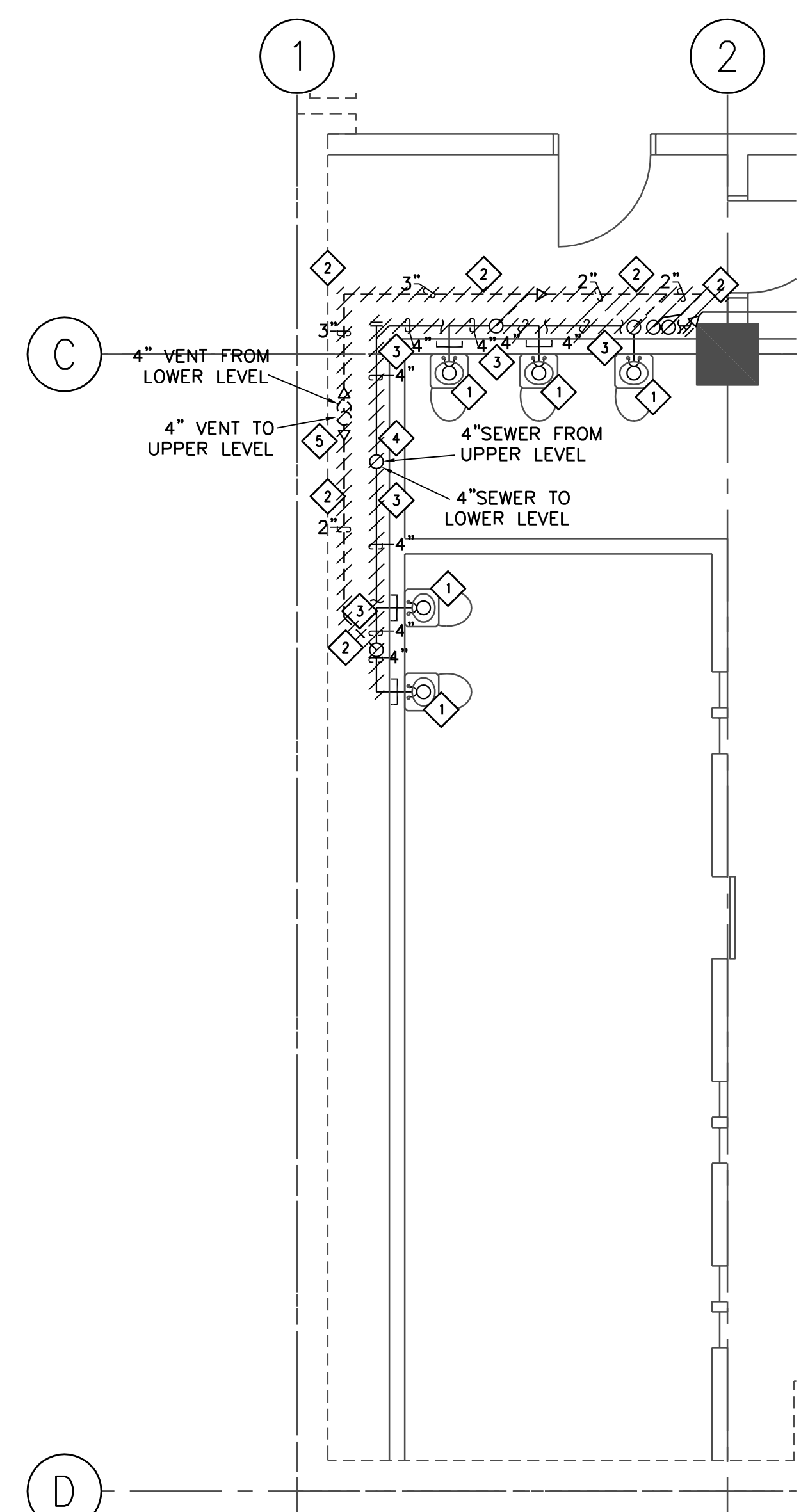


DEMOLITION PLUMBING GENERAL NOTES:

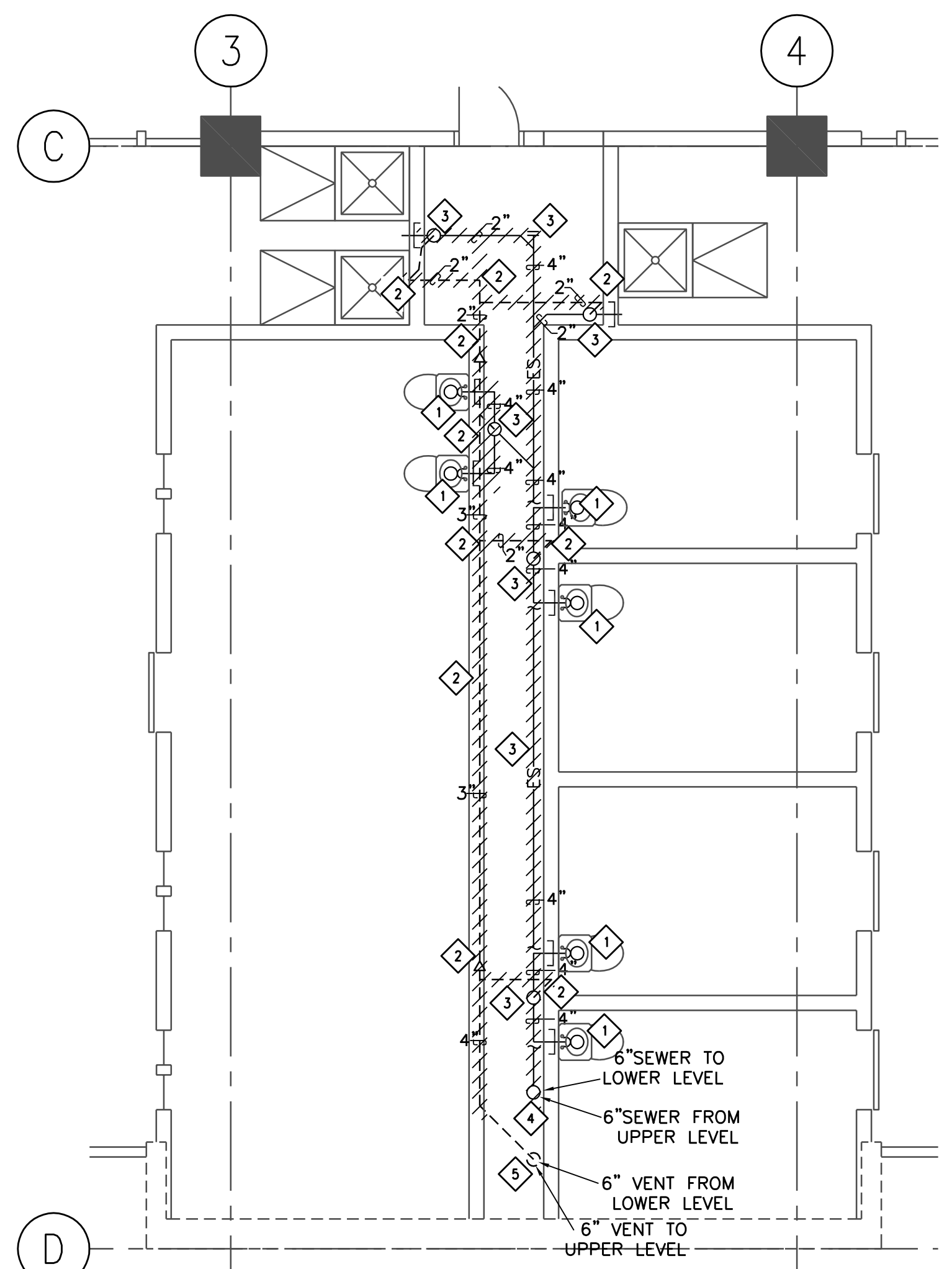
- 1 THE INTENT OF THE DEMOLITION AND REPLACEMENT OF THE SEWER AND VENTING SYSTEMS FOR THE FACILITY. THIS FACILITY IS A 24/7 SECURED OPERATION FACILITY. SO THE CONTRACTOR SHALL COORDINATE ALL DEMOLITION AND REMODEL WORK WITH THE DETENTION PERSONNEL.
- 2 DEMOLITION SEWER AND VENT WORK SHOWN HATCHED, EXISTING WORK TO REMAIN IS UNHATCHED.
- 3 SOME PLUMBING CHASES CONTAIN MECHANICAL DUCTWORK, THE CONTRACTOR SHALL COORDINATE THE REMOVAL OF EXISTING SEWER AND VENT PIPING WITH THIS DUCTWORK.

DEMOLITION PLUMBING KEYED NOTES:

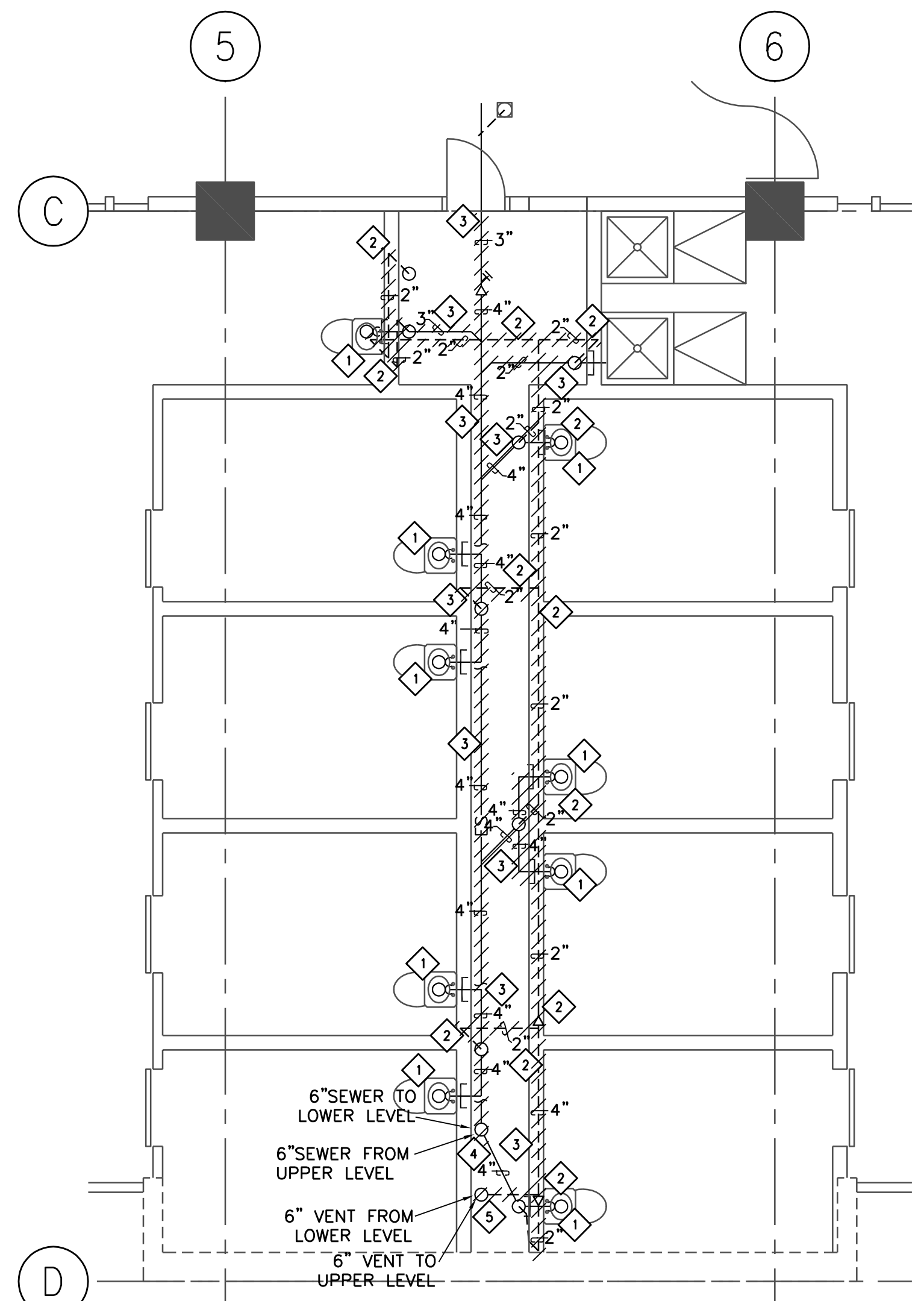
- 1 EXISTING SEWER FROM THE CELL WATERCLOSET/SINK COMBO IS TO BE REMOVED FROM THE FIXTURE CONNECTION TO THE FLOOR PENETRATION, REFER TO REMODEL DRAWINGS P-5.xx AS NOTED ON PLAN FOR FURTHER INFORMATION.
- 2 EXISTING VENT PIPING IN CHASE TO BE REMOVED AND REPLACED REFER TO REMODEL DRAWINGS P-5.xx AS NOTED ON PLAN FOR FURTHER INFORMATION.
- 3 EXISTING SEWER PIPING IN CHASE BE REMOVED AND REPLACED, REFER TO REMODEL DRAWINGS P-5.xx AS NOTED ON PLAN FOR FURTHER INFORMATION.
- 4 EXISTING SEWER MAIN RISER TO BE REMOVED AND REPLACED, REFER TO REMODEL DRAWINGS P-5.xx AS NOTED ON PLAN FOR FURTHER INFORMATION.
- 5 EXISTING VENT MAIN RISER TO BE REMOVED AND REPLACED, REFER TO REMODEL DRAWINGS P-5.xx AS NOTED ON PLAN FOR FURTHER INFORMATION.



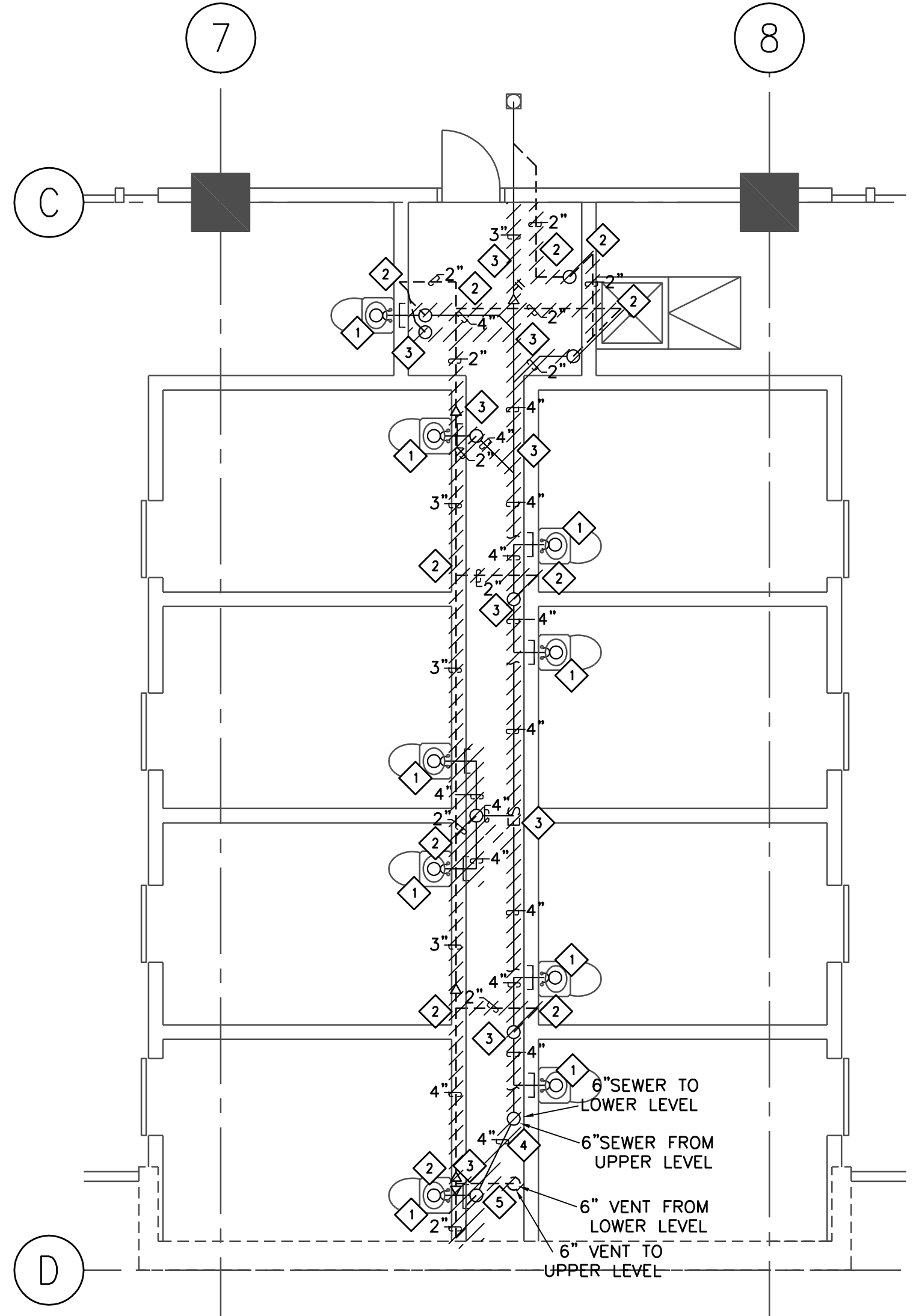
1
NINTH FLOOR ENLARGED DEMOLITION PLUMBING SEWER WASTE AND VENT PIPING FLOOR PLAN
SCALE 1/4" = 1'-0"
REFER TO REMODEL PLAN 1/P-529



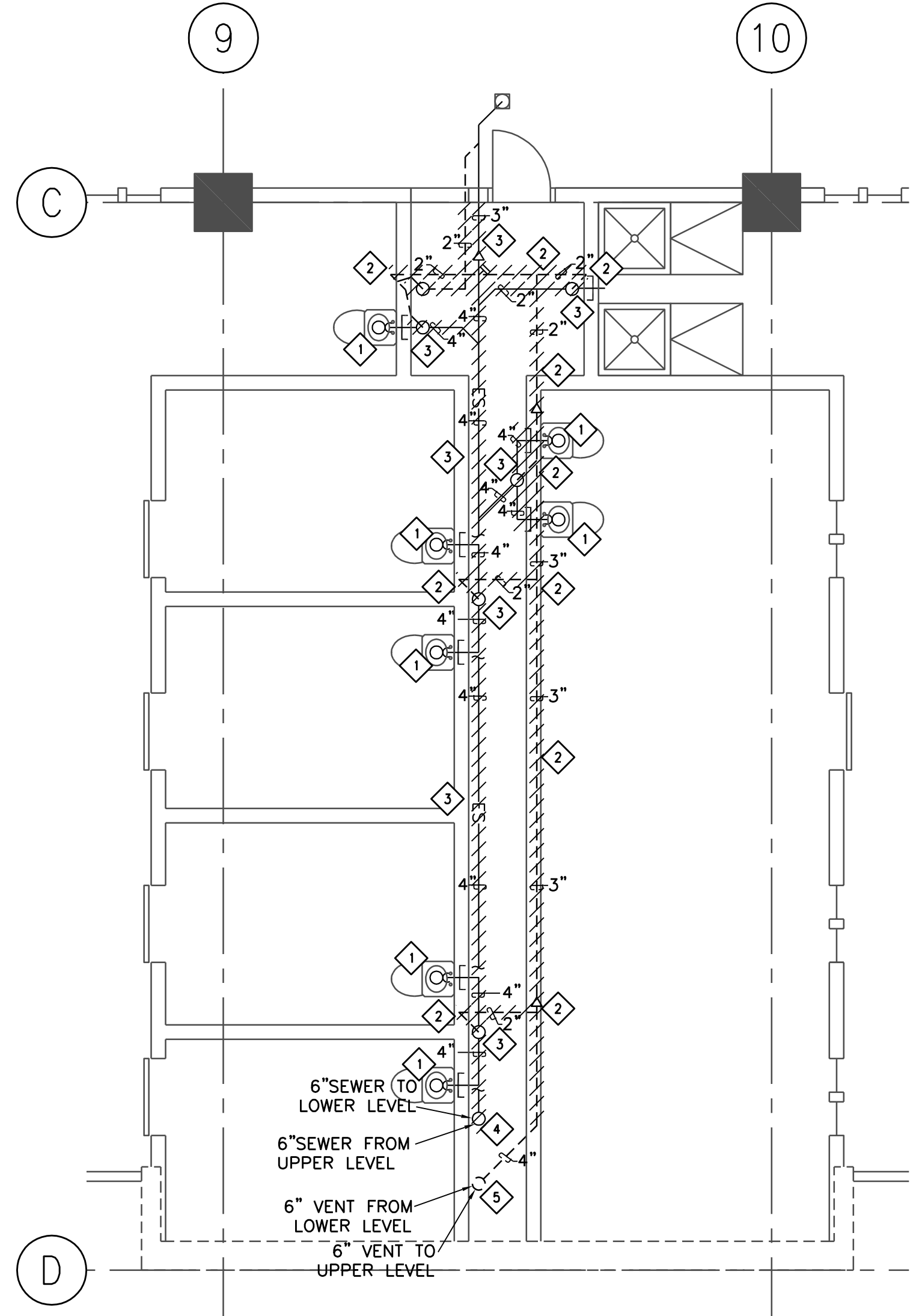
2
NINTH FLOOR ENLARGED DEMOLITION PLUMBING SEWER WASTE AND VENT PIPING FLOOR PLAN
SCALE 1/4" = 1'-0"
REFER TO REMODEL PLAN 2/P-529



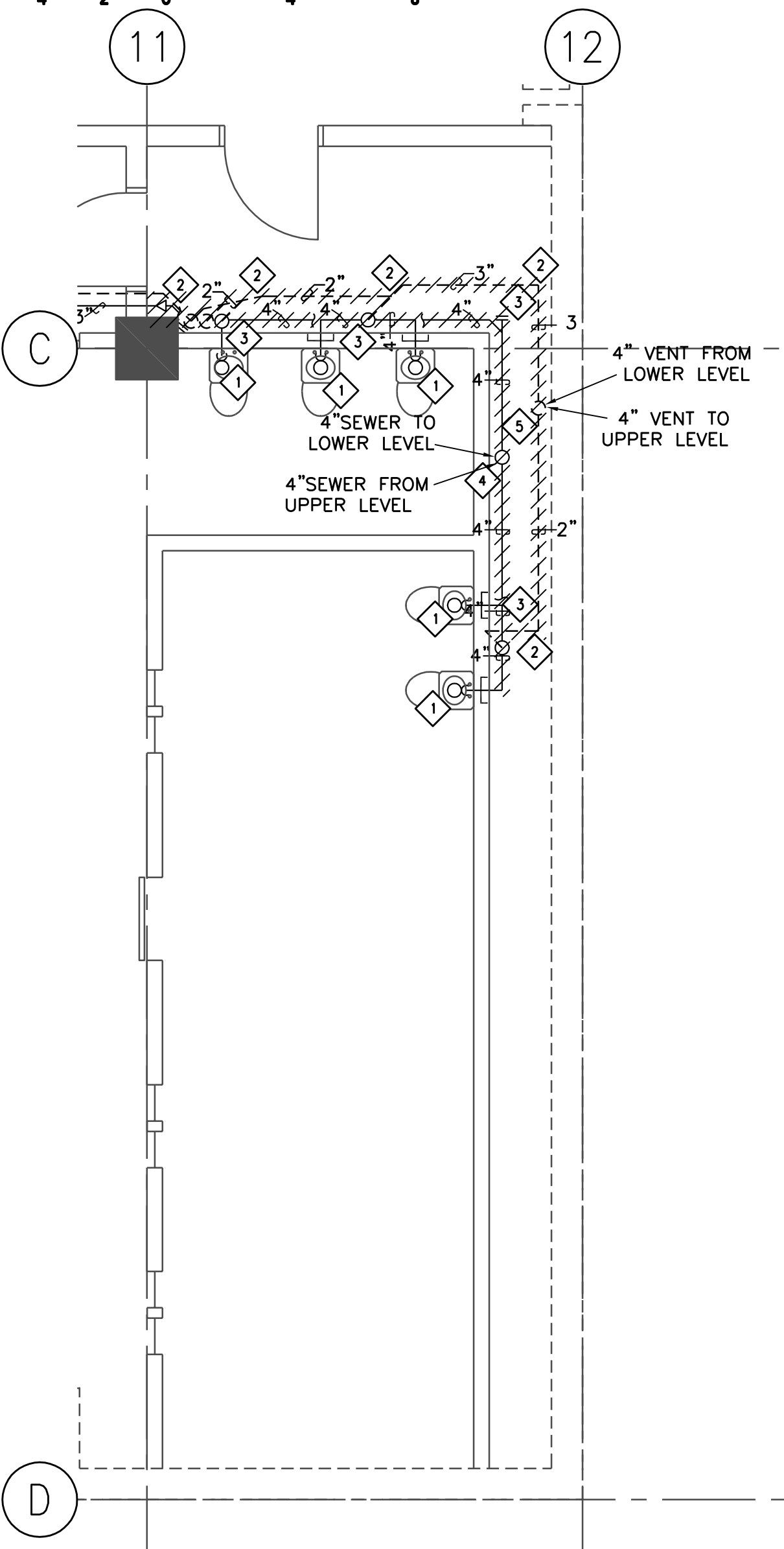
3
NINTH FLOOR ENLARGED DEMOLITION PLUMBING SEWER WASTE AND VENT PIPING FLOOR PLAN
SCALE 1/4" = 1'-0"
REFER TO REMODEL PLAN 3/P-529



4
NINTH FLOOR ENLARGED DEMOLITION PLUMBING SEWER WASTE AND VENT PIPING FLOOR PLAN
SCALE 1/4" = 1'-0"
REFER TO REMODEL PLAN 4/P-530

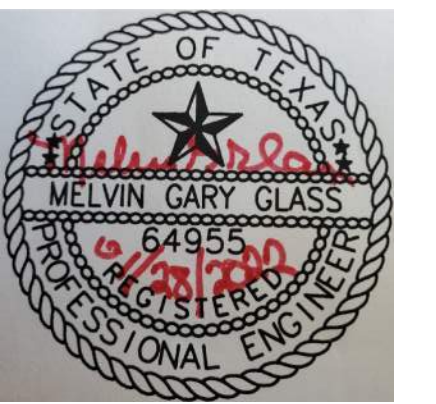


5
NINTH FLOOR ENLARGED DEMOLITION PLUMBING SEWER WASTE AND VENT PIPING FLOOR PLAN
SCALE 1/4" = 1'-0"
REFER TO REMODEL PLAN 5/P-530

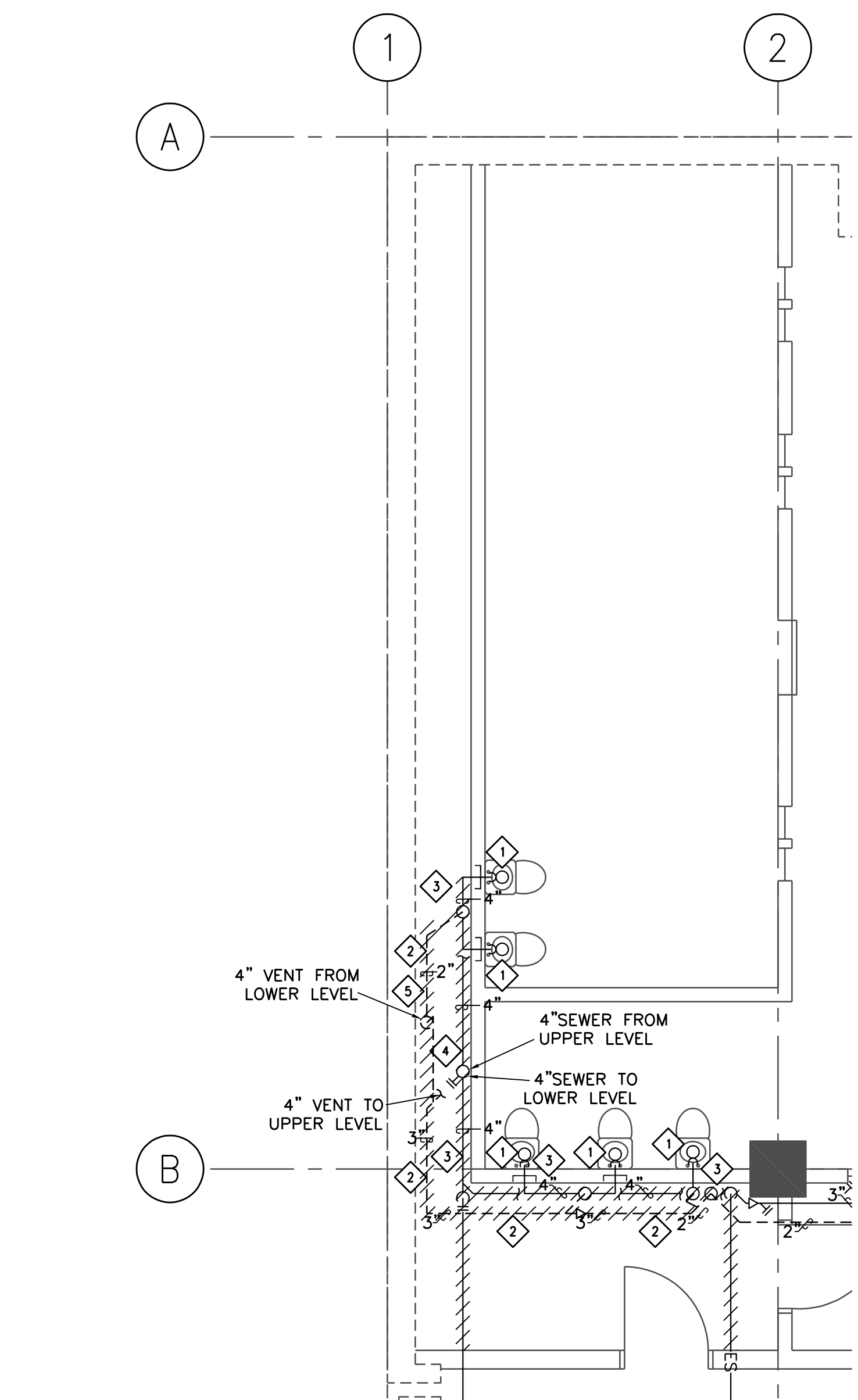


6
NINTH FLOOR ENLARGED DEMOLITION PLUMBING SEWER WASTE AND VENT PIPING FLOOR PLAN
SCALE 1/4" = 1'-0"
REFER TO REMODEL PLAN 6/P-530

THIS DOCUMENT, WHETHER IN HARD COPY OR MACHINE READABLE FORMAT, IS COPYRIGHTED AND AN INSTRUMENT OF SERVICES IN RESPECT TO THE PROJECT FOR WHICH IT WAS PREPARED. THIS DOCUMENT IS NOT INTENDED OR AUTHORIZED FOR REUSE BY ANY PARTY ON EXTENSIONS OF SUCH PROJECT OR ANY OTHER PROJECT. ANY REUSE, INCLUDING COPYING AND/OR MODIFYING THE DOCUMENT, WITHOUT WRITTEN PERMISSION FROM EMC ENGINEERS FOR THE SPECIFIC PURPOSE INTENDED IS A VIOLATION OF FEDERAL COPYRIGHT LAW. UNAUTHORIZED USE OF THIS MATERIAL MAY RESULT IN CIVIL AND/OR CRIMINAL PENALTIES.
COPY RIGHT 2013 EMC ENGINEERS.

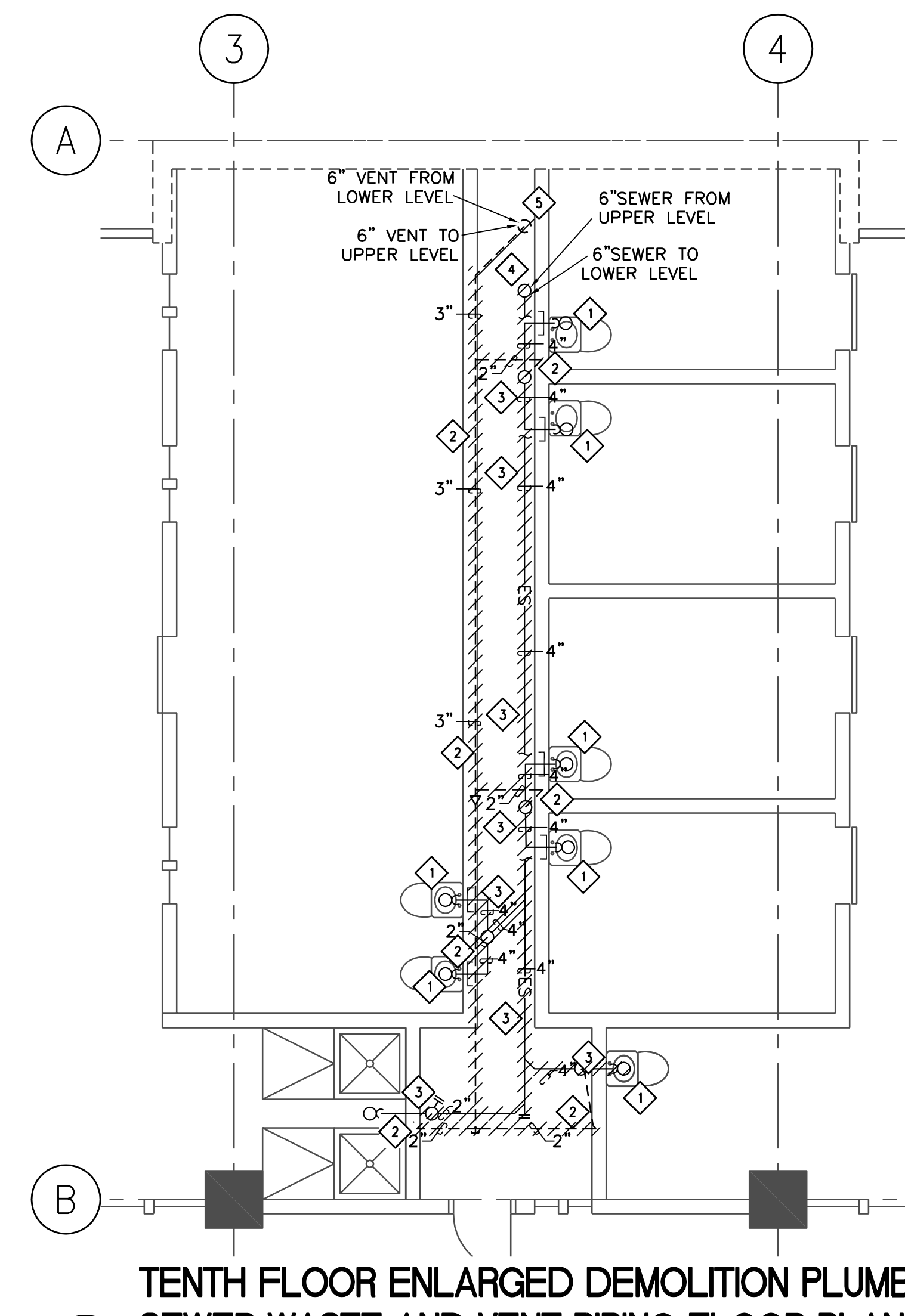


THE SEAL APPEARING ON THIS DOCUMENT WAS AUTHORIZED BY MELVIN G. GLASS, P.E. #64935 OF EMC ENGINEERS (TEAMS FIRM REG. #24911) ON JANUARY 28, 2022. ALTERATION OF A SEALED DOCUMENT WITHOUT PROPER NOTIFICATION TO THE RESPONSIBLE ENGINEER IS AN OFFENSE UNDER THE TEXAS ENGINEERING PRACTICE ACT.



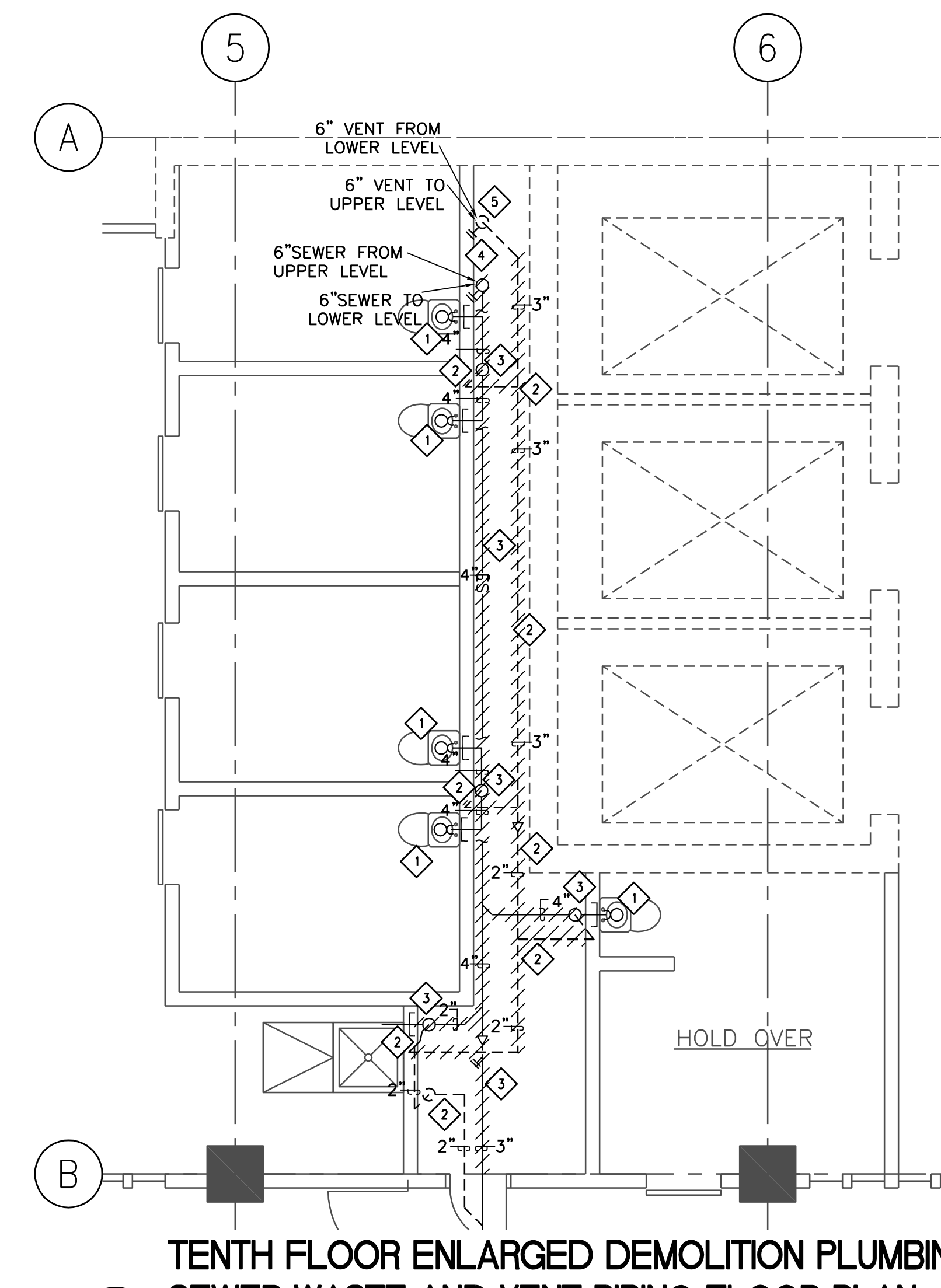
TENTH FLOOR ENLARGED DEMOLITION PLUMBING SEWER WASTE AND VENT PIPING FLOOR PLAN

1 P-3.15 SCALE: 1/4" = 1'-0" REFER TO REMODEL PLAN 1/P-531



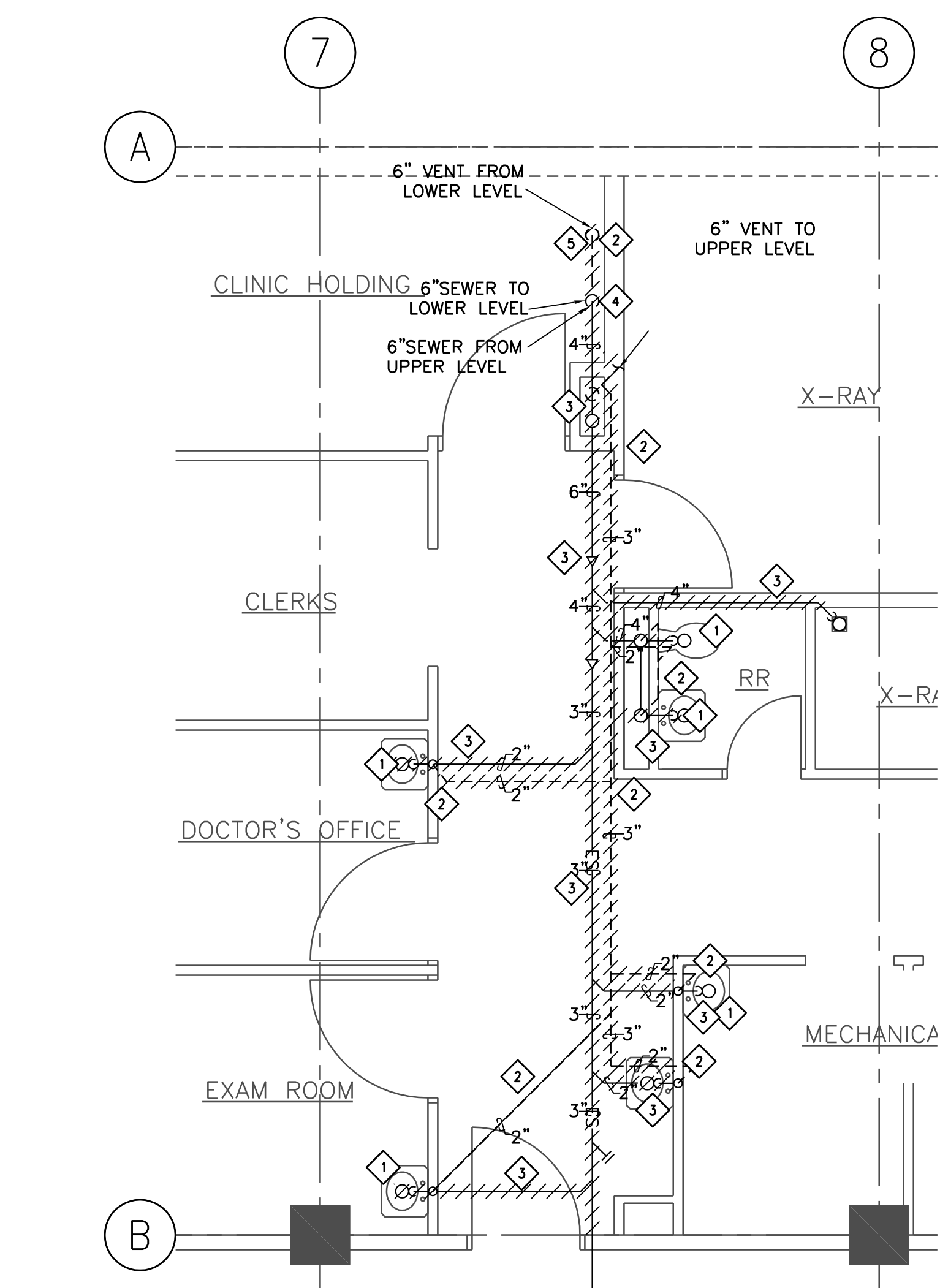
TENTH FLOOR ENLARGED DEMOLITION PLUMBING SEWER WASTE AND VENT PIPING FLOOR PLAN

2 P-3.15 SCALE: 1/4" = 1'-0" REFER TO REMODEL PLAN 2/P-531



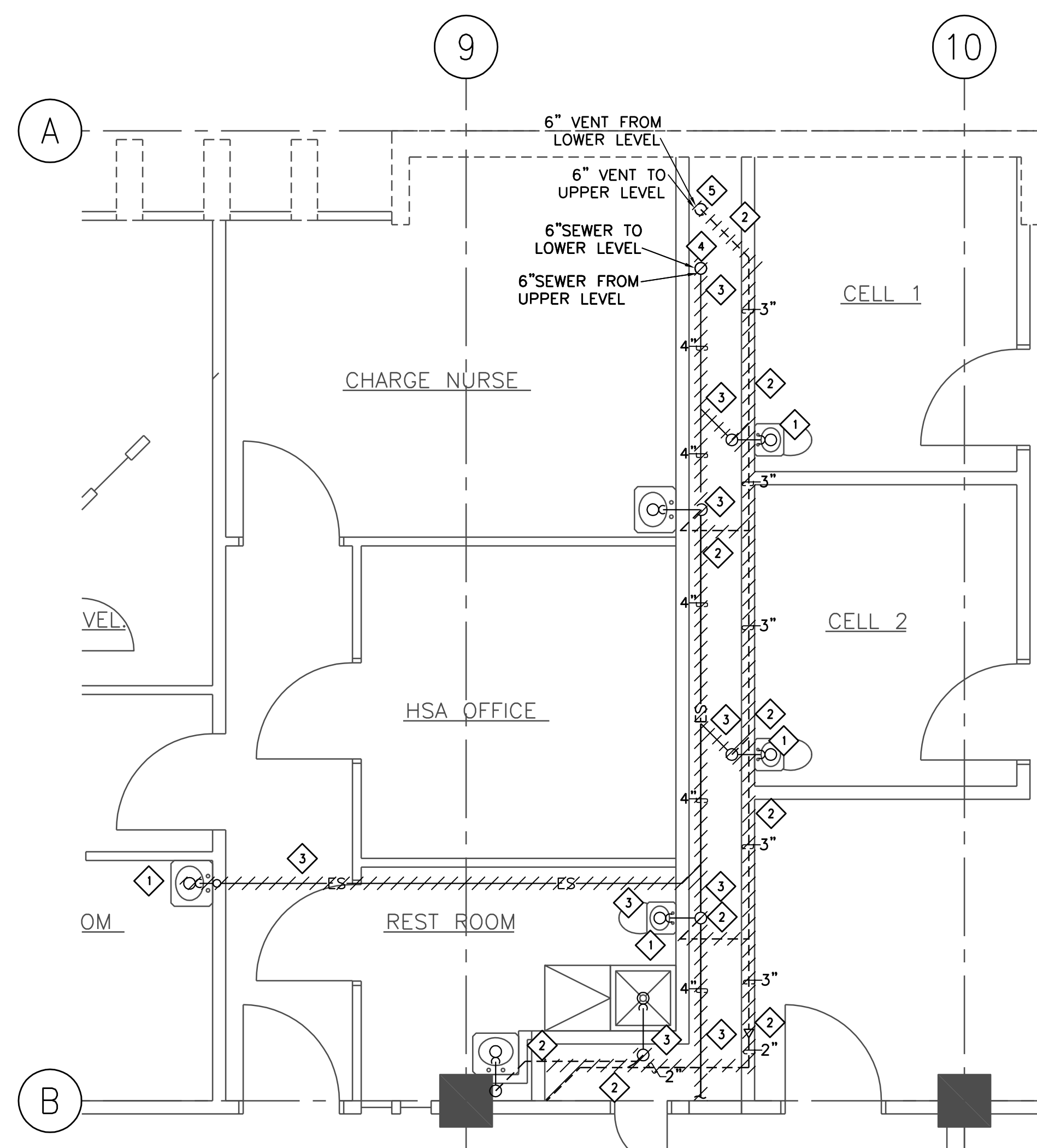
TENTH FLOOR ENLARGED DEMOLITION PLUMBING SEWER WASTE AND VENT PIPING FLOOR PLAN

3 P-3.15 SCALE: 1/4" = 1'-0" REFER TO REMODEL PLAN 3/P-531



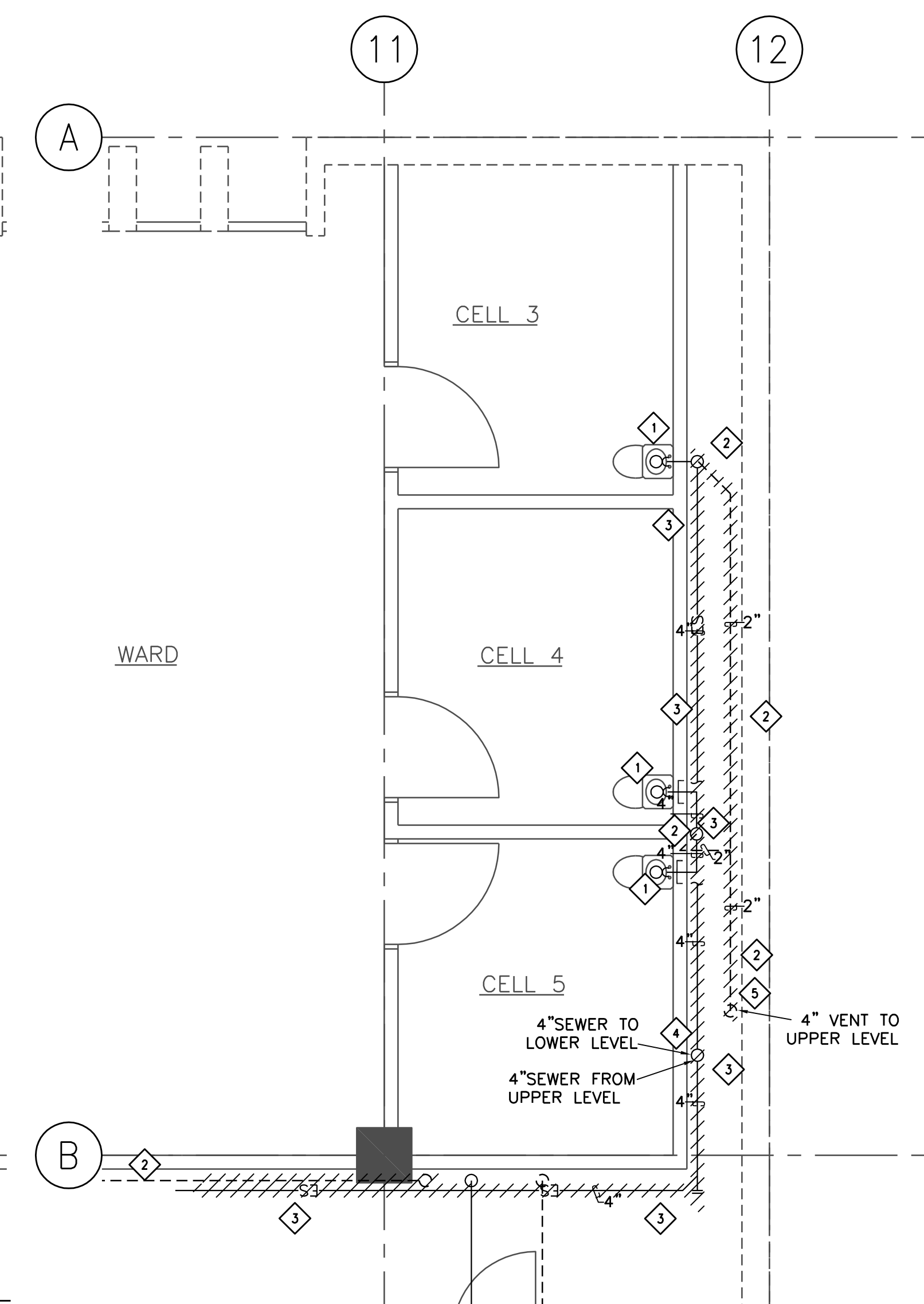
TENTH FLOOR ENLARGED DEMOLITION PLUMBING SEWER WASTE AND VENT PIPING FLOOR PLAN

4 P-3.15 SCALE: 1/4" = 1'-0" REFER TO REMODEL PLAN 4/P-532



TENTH FLOOR ENLARGED DEMOLITION PLUMBING SEWER WASTE AND VENT PIPING FLOOR PLAN

5 P-3.15 SCALE: 1/4" = 1'-0" REFER TO REMODEL PLAN 5/P-532



TENTH FLOOR ENLARGED DEMOLITION PLUMBING SEWER WASTE AND VENT PIPING FLOOR PLAN

6 P-3.15 SCALE: 1/4" = 1'-0" REFER TO REMODEL PLAN 6/P-532

DEMOLITION PLUMBING GENERAL NOTES:

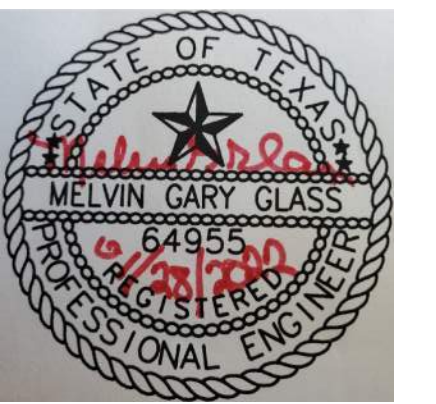
- 1 THE INTENT OF THE DEMOLITION AND REPLACEMENT OF THE SEWER AND VENTING SYSTEMS FOR THE FACILITY. THIS FACILITY IS A 24/7 SECURED OPERATION FACILITY. SO THE CONTRACTOR SHALL COORDINATE ALL DEMOLITION AND REMODEL WORK WITH THE DETENTION PERSONNEL.
- 2 DEMOLITION SEWER AND VENT WORK SHOWN HATCHED, EXISTING WORK TO REMAIN IS UNHATCHED.
- 3 SOME PLUMBING CHASES CONTAIN MECHANICAL DUCTWORK, THE CONTRACTOR SHALL COORDINATE THE REMOVAL OF EXISTING SEWER AND VENT PIPING WITH THIS DUCTWORK.

DEMOLITION PLUMBING KEYED NOTES:

- 1 EXISTING SEWER FROM THE CELL WATERCLOSET/SINK COMBO IS TO BE REMOVED FROM THE FIXTURE CONNECTION TO THE FLOOR PENETRATION, REFER TO REMODEL DRAWINGS P-5.XX AS NOTED ON PLAN FOR FURTHER INFORMATION.
- 2 EXISTING VENT PIPING IN CHASE TO BE REMOVED AND REPLACED REFER TO REMODEL DRAWINGS P-5.XX AS NOTED ON PLAN FOR FURTHER INFORMATION.
- 3 EXISTING SEWER PIPING IN CHASE BE REMOVED AND REPLACED, REFER TO REMODEL DRAWINGS P-5.XX AS NOTED ON PLAN FOR FURTHER INFORMATION.
- 4 EXISTING SEWER MAIN RISER TO BE REMOVED AND REPLACED, REFER TO REMODEL DRAWINGS P-5.XX AS NOTED ON PLAN FOR FURTHER INFORMATION.
- 5 EXISTING VENT MAIN RISER TO BE REMOVED AND REPLACED, REFER TO REMODEL DRAWINGS P-5.XX AS NOTED ON PLAN FOR FURTHER INFORMATION.

THIS DOCUMENT, WHETHER IN HARD COPY OR MACHINE READABLE FORMAT, IS COPYRIGHTED AND AN INSTRUMENT OF SERVICES IN RESPECT TO THE PROJECT FOR WHICH IT WAS PREPARED. THIS DOCUMENT IS NOT INTENDED OR AUTHORIZED FOR REUSE BY ANY PARTY ON EXTENSIONS OF SUCH PROJECT OR ANY OTHER PROJECT. ANY REUSE, INCLUDING COPYING AND/OR MODIFYING THE DOCUMENT, WITHOUT WRITTEN PERMISSION FROM EMC ENGINEERS FOR THE SPECIFIC PURPOSE INTENDED IS A VIOLATION OF FEDERAL COPYRIGHT LAW. UNAUTHORIZED USE OF THIS MATERIAL MAY RESULT IN CIVIL AND/OR CRIMINAL PENALTIES. COPY RIGHT 2013 EMC ENGINEERS.

Project:	UPGRADE AND REPLACE THE SANITARY SEWER SYSTEM AT THE EL PASO COUNTY DETENTION FACILITY
Location:	601 E OVERLAND STREET EL PASO, TEXAS
Job Number:	ETC-2108022
Date:	11/23/2021
Scale:	AS SHOWN
Sheet:	P-3.15
35 of:	X



THE SEAL APPEARING ON THIS DOCUMENT WAS AUTHORIZED BY MELVIN G. GLASS, P.E. #64935 OF EMC ENGINEERS (TEXAS FIRM #E-27491) ON JANUARY 28, 2022. ALTERATION OF A SEALED DOCUMENT WITHOUT PROPER NOTIFICATION TO THE RESPONSIBLE ENGINEER IS AN OFFENSE UNDER THE TEXAS ENGINEERING PRACTICE ACT.

Project:	UPGRADE AND REPLACE THE SANITARY SEWER SYSTEM AT THE EL PASO COUNTY DETENTION FACILITY
Location:	601 E OVERLAND STREET EL PASO, TEXAS
Job Number:	ETC-2108022
Date:	11/23/2021
Scale:	A5 SHOWN
Sheet	P-3.16
	36 of: X

Rev.#	Date	Initial	Description
1			ETC
2			ETC
3			ETC

EMC ENGINEERS
2311 E. BUSINESS AVENUE, SUITE 1000
EL PASO, TEXAS 79901
TEL: 915-781-2030
FAX: 915-781-2035
WWW.EMCENGINEERS.COM
EMC PROJECT #2108022

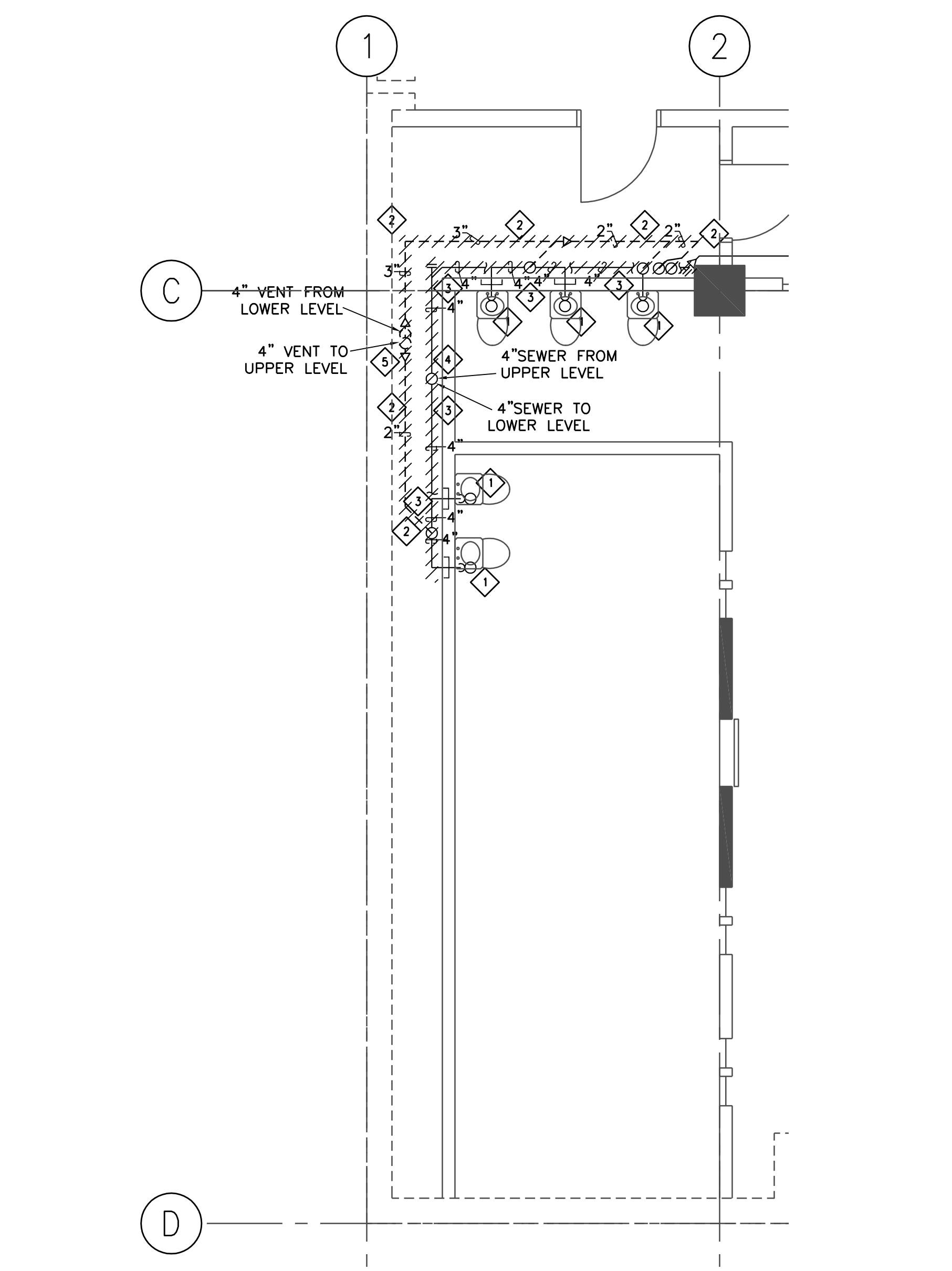


DEMOLITION PLUMBING GENERAL NOTES:

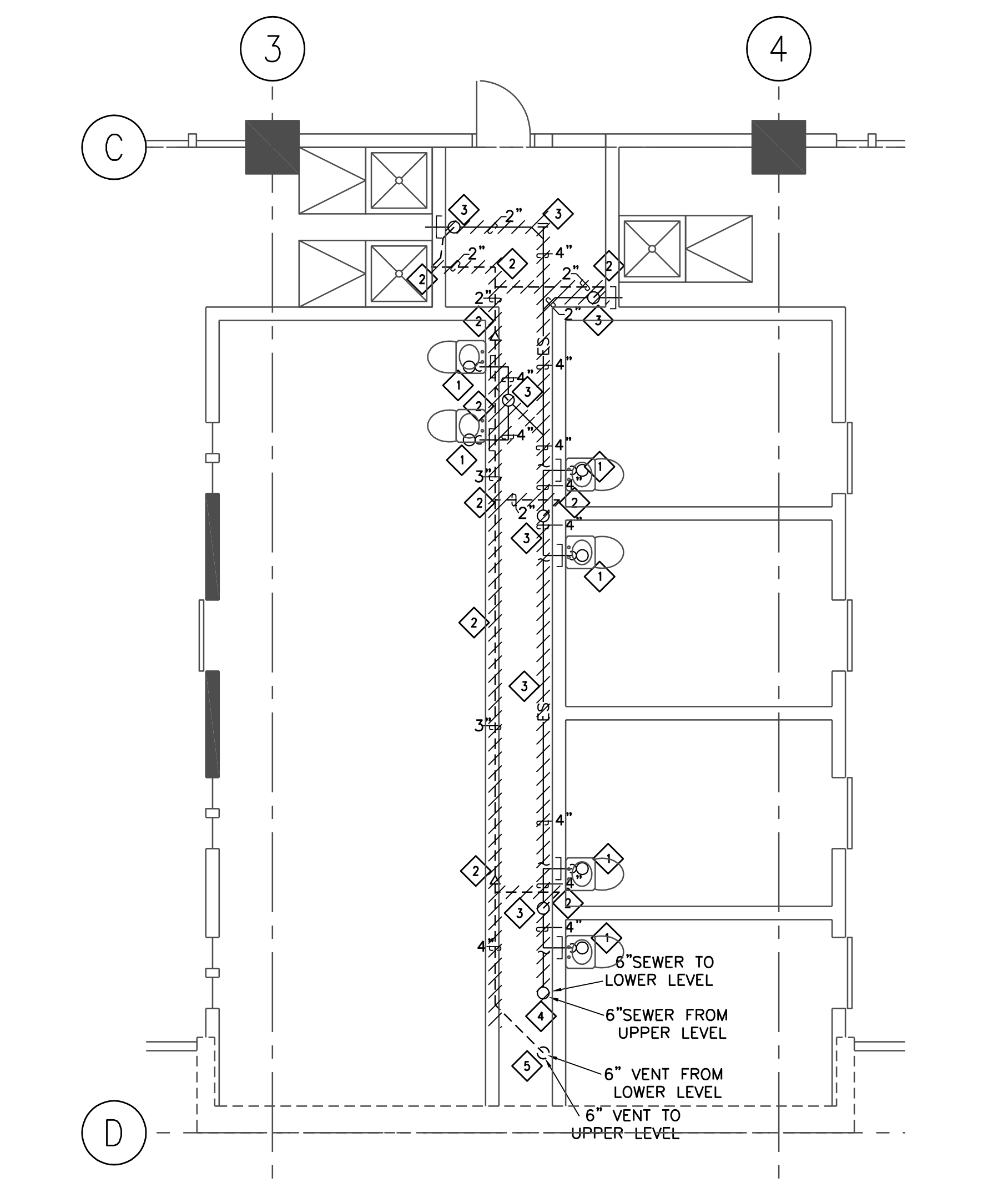
- THE INTENT OF THE DEMOLITION AND REPLACEMENT OF THE SEWER AND VENTING SYSTEMS FOR THE FACILITY. THIS FACILITY IS A 24/7 SECURED OPERATION FACILITY. SO THE CONTRACTOR SHALL COORDINATE ALL DEMOLITION AND REMODEL WORK WITH THE DETENTION PERSONNEL.
- DEMOLITION SEWER AND VENT WORK SHOWN HATCHED, EXISTING WORK TO REMAIN IS UNHATCHED.
- SOME PLUMBING CHASES CONTAIN MECHANICAL DUCTWORK, THE CONTRACTOR SHALL COORDINATE THE REMOVAL OF EXISTING SEWER AND VENT PIPING WITH THIS DUCTWORK.

DEMOLITION PLUMBING KEYED NOTES:

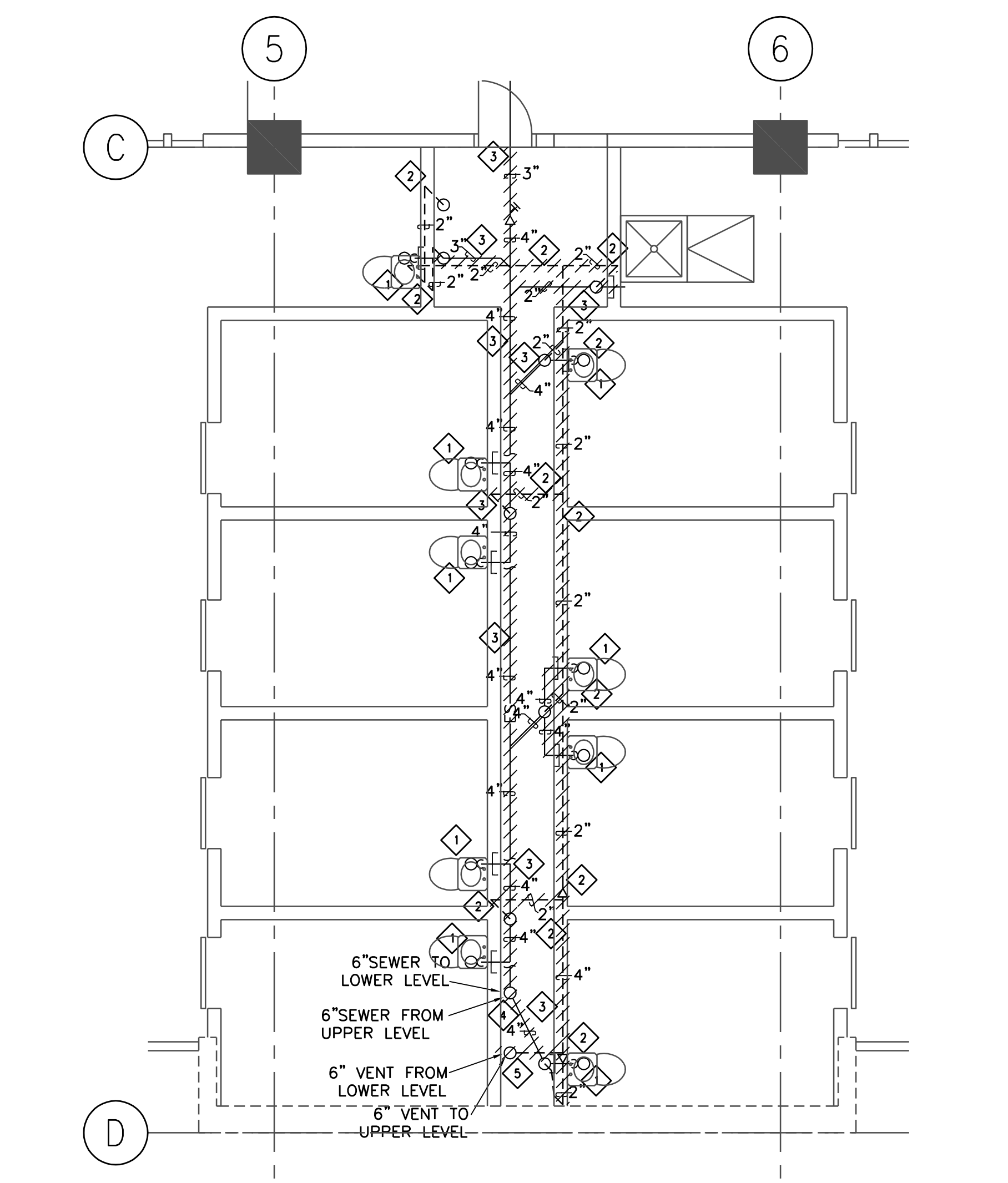
- EXISTING SEWER FROM THE CELL WATERCLOSET/SINK COMBO IS TO BE REMOVED FROM THE FIXTURE CONNECTION TO THE FLOOR PENETRATION, REFER TO REMODEL DRAWINGS P-5.XX AS NOTED ON PLAN FOR FURTHER INFORMATION.
- EXISTING VENT PIPING IN CHASE TO BE REMOVED AND REPLACED REFER TO REMODEL DRAWINGS P-5.XX AS NOTED ON PLAN FOR FURTHER INFORMATION.
- EXISTING SEWER PIPING IN CHASE BE REMOVED AND REPLACED, REFER TO REMODEL DRAWINGS P-5.XX AS NOTED ON PLAN FOR FURTHER INFORMATION.
- EXISTING SEWER MAIN RISER TO BE REMOVED AND REPLACED, REFER TO REMODEL DRAWINGS P-5.XX AS NOTED ON PLAN FOR FURTHER INFORMATION.
- EXISTING VENT MAIN RISER TO BE REMOVED AND REPLACED, REFER TO REMODEL DRAWINGS P-5.XX AS NOTED ON PLAN FOR FURTHER INFORMATION.



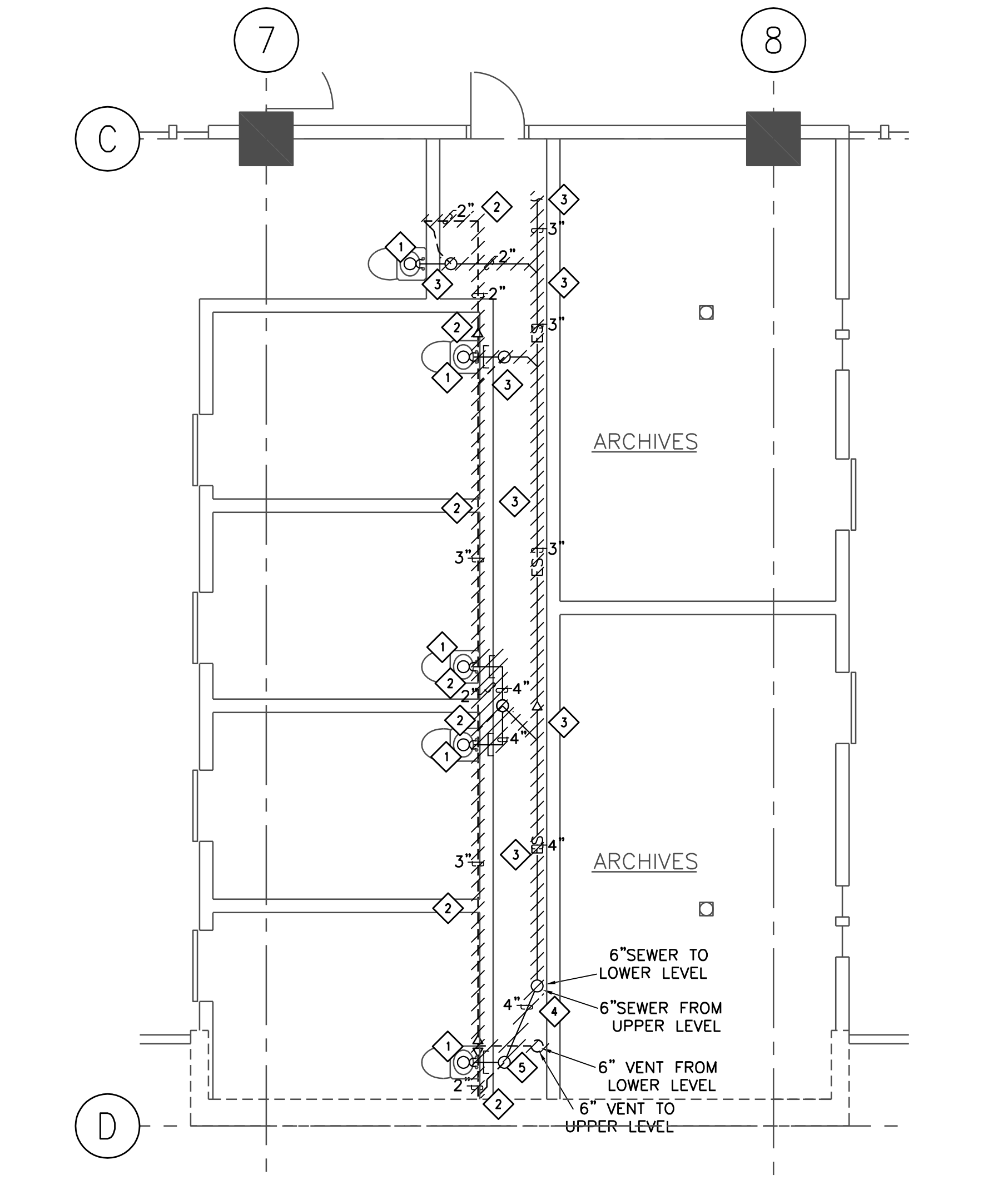
TENTH FLOOR ENLARGED DEMOLITION PLUMBING SEWER WASTE AND VENT PIPING FLOOR PLAN
SCALE 1/4" = 1'-0"
REFER TO REMODEL PLAN 1/P-535



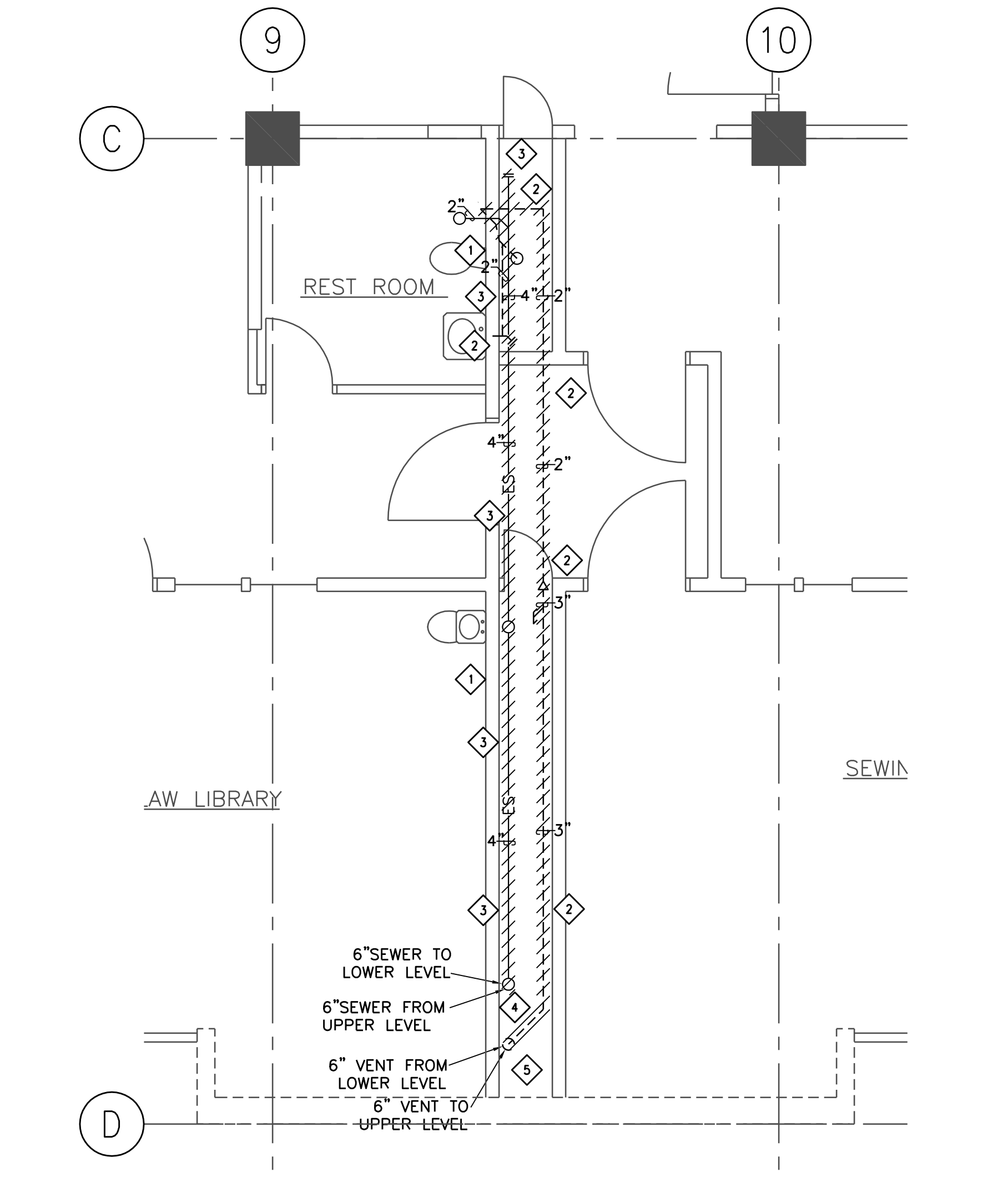
TENTH FLOOR ENLARGED DEMOLITION PLUMBING SEWER WASTE AND VENT PIPING FLOOR PLAN
SCALE 1/4" = 1'-0"
REFER TO REMODEL PLAN 2/P-535



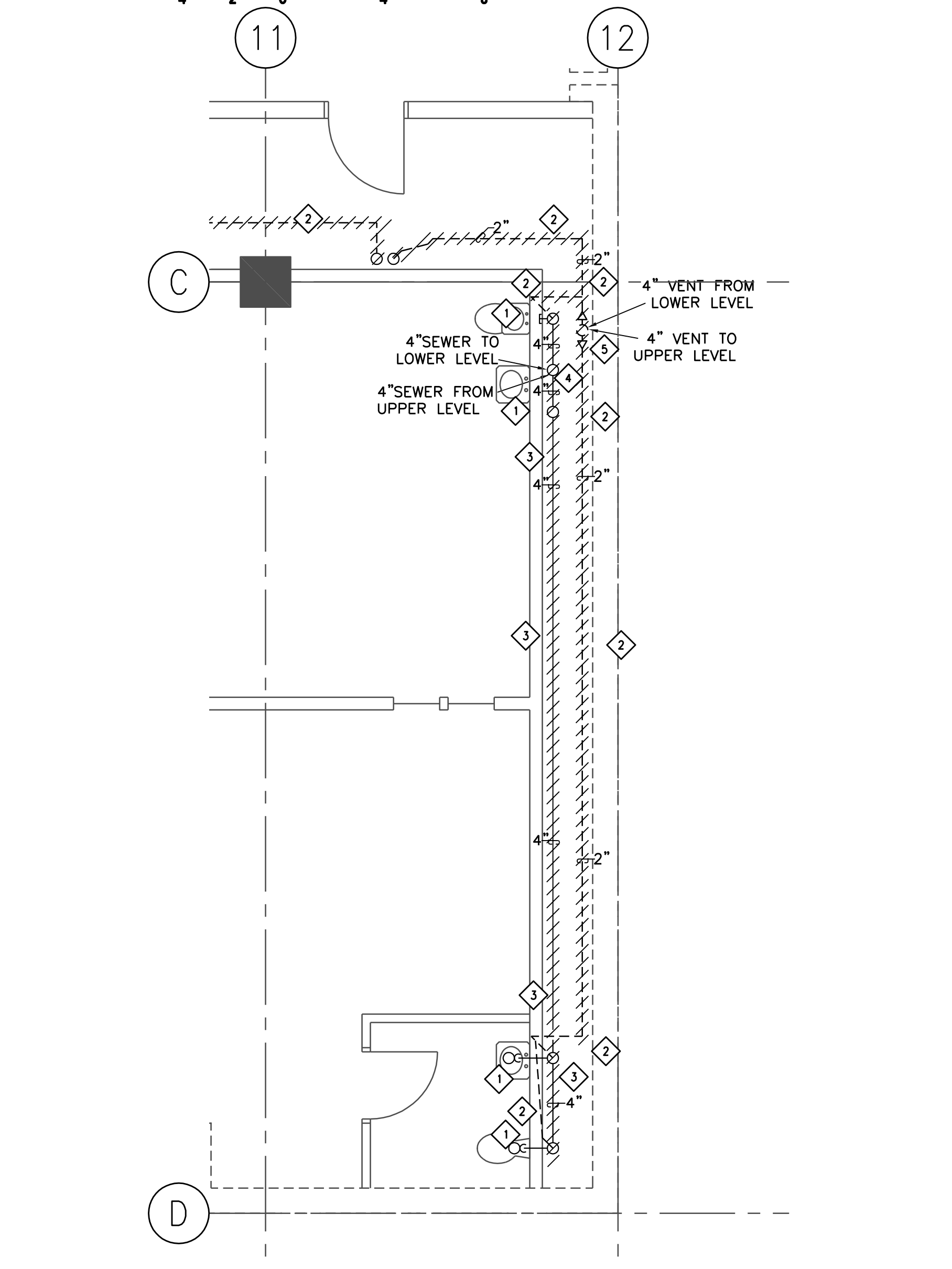
TENTH FLOOR ENLARGED DEMOLITION PLUMBING SEWER WASTE AND VENT PIPING FLOOR PLAN
SCALE 1/4" = 1'-0"
REFER TO REMODEL PLAN 3/P-535



TENTH FLOOR ENLARGED DEMOLITION PLUMBING SEWER WASTE AND VENT PIPING FLOOR PLAN
SCALE 1/4" = 1'-0"
REFER TO REMODEL PLAN 4/P-534

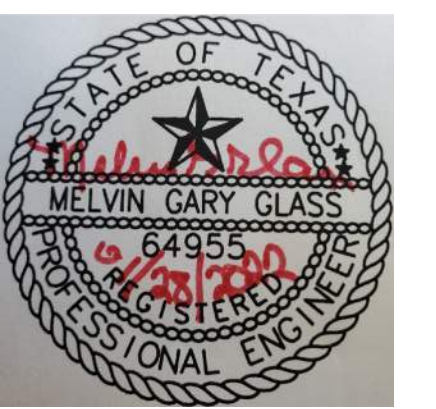


TENTH FLOOR ENLARGED DEMOLITION PLUMBING SEWER WASTE AND VENT PIPING FLOOR PLAN
SCALE 1/4" = 1'-0"
REFER TO REMODEL PLAN 5/P-534

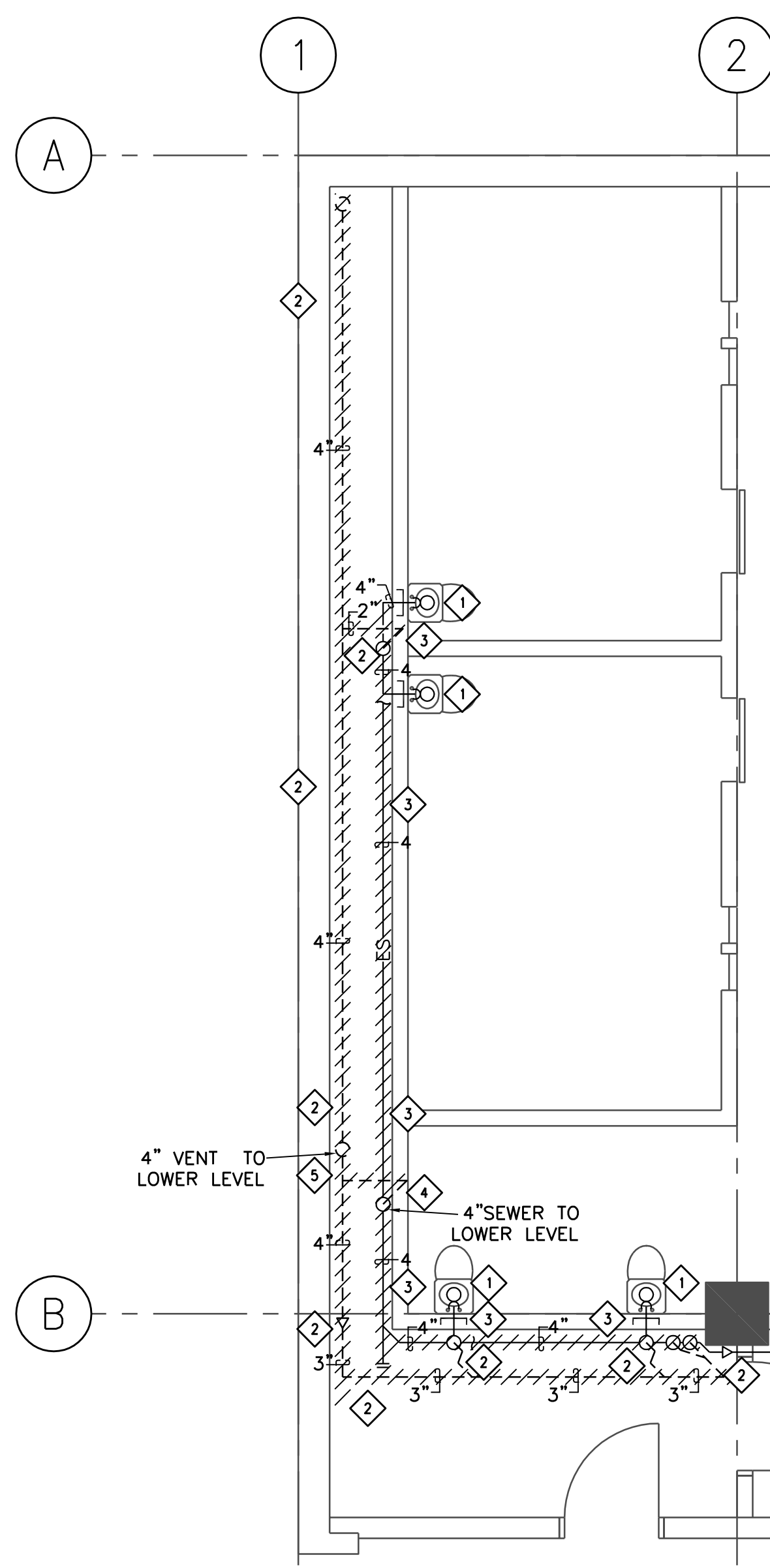


TENTH FLOOR ENLARGED DEMOLITION PLUMBING SEWER WASTE AND VENT PIPING FLOOR PLAN
SCALE 1/4" = 1'-0"
REFER TO REMODEL PLAN 6/P-534

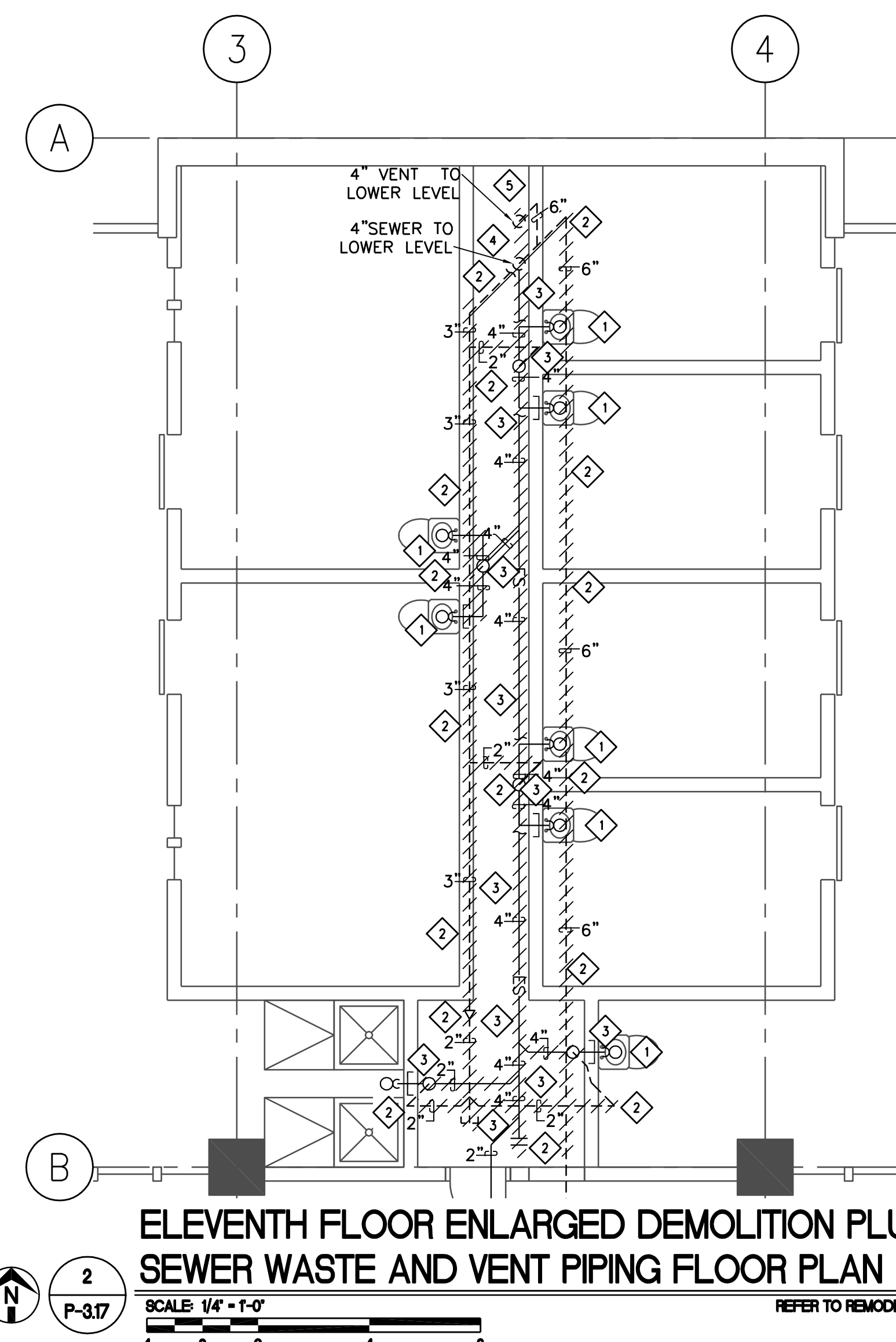
THIS DOCUMENT, WHETHER IN HARD COPY OR MACHINE READABLE FORMAT, IS COPYRIGHTED AND AN INSTRUMENT OF SERVICES IN RESPECT TO THE PROJECT FOR WHICH IT WAS PREPARED. THIS DOCUMENT IS NOT INTENDED OR AUTHORIZED FOR REUSE BY ANY PARTY ON EXTENSIONS OF SUCH PROJECT OR ANY OTHER PROJECT. ANY REUSE, INCLUDING COPYING AND/OR MODIFYING THE DOCUMENT, WITHOUT WRITTEN PERMISSION FROM EMC ENGINEERS FOR THE SPECIFIC PURPOSE INTENDED IS A VIOLATION OF FEDERAL COPYRIGHT LAW. UNAUTHORIZED USE OF THIS MATERIAL MAY RESULT IN CIVIL AND/OR CRIMINAL PENALTIES.
COPY RIGHT 2013 EMC ENGINEERS.



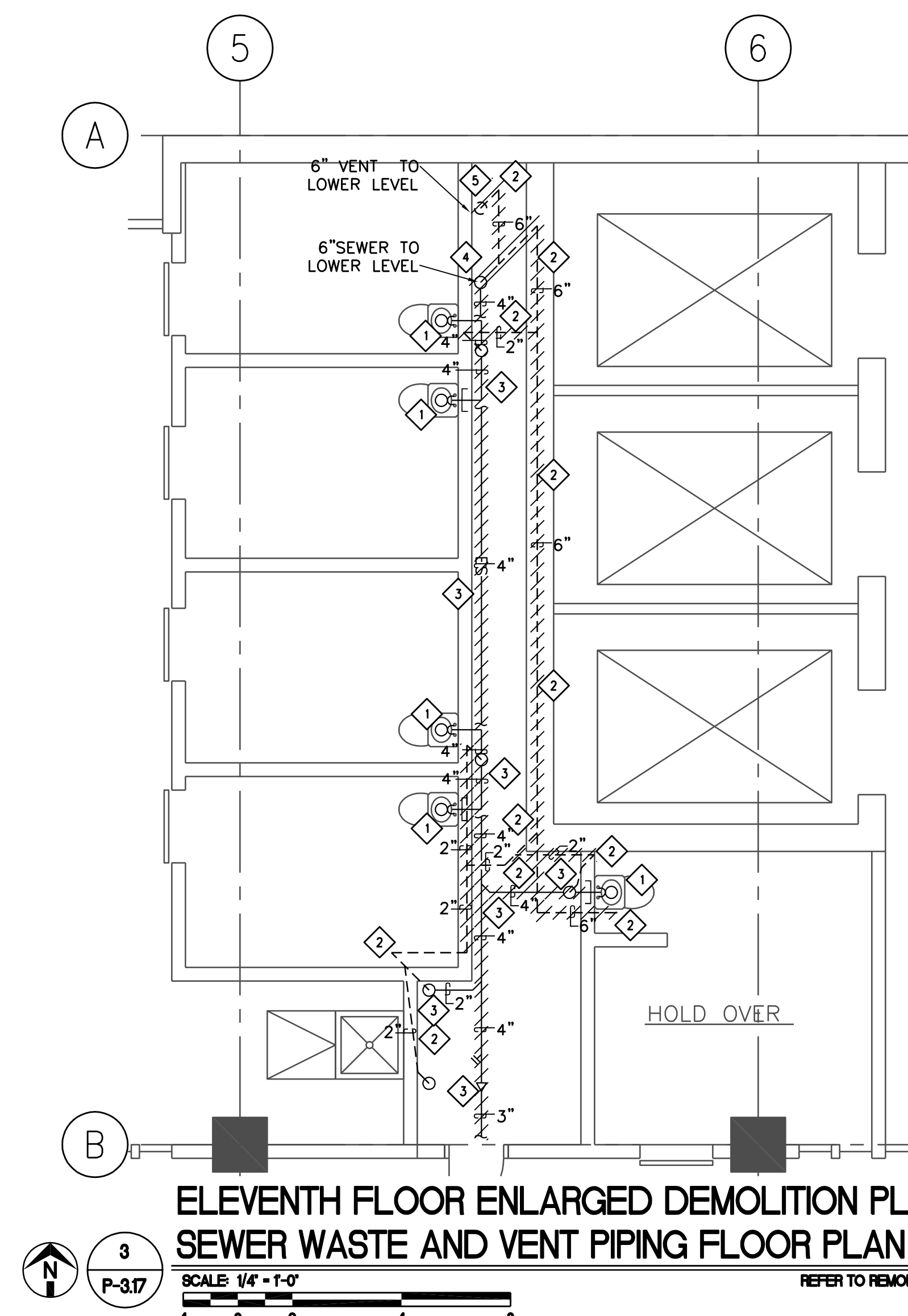
THE SEAL APPEARING ON THIS DOCUMENT WAS AUTHORIZED BY MELVIN G. GLASS, P.E. #64935 OF EMC ENGINEERS (TEXAS FIRM REG. #24491) ON JANUARY 28, 2022. ALTERATION OF A SEALED DOCUMENT WITHOUT PROPER NOTIFICATION TO THE RESPONSIBLE ENGINEER IS AN OFFENSE UNDER THE TEXAS ENGINEERING PRACTICE ACT.



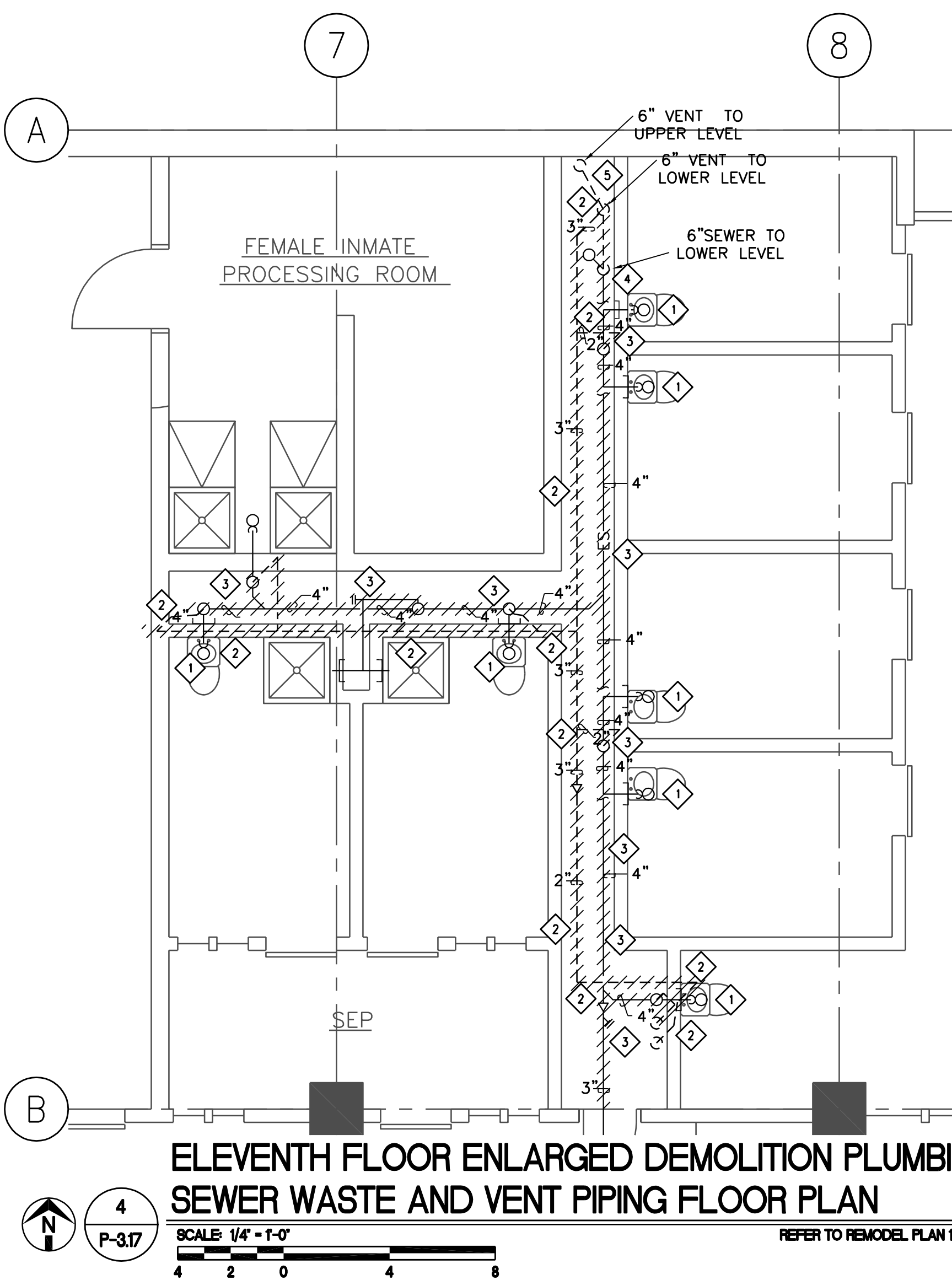
ELEVENTH FLOOR ENLARGED DEMOLITION PLUMBING SEWER WASTE AND VENT PIPING FLOOR PLAN
SCALE: 1/4" = 1'-0"
REFER TO REMODEL PLAN 1/P-536



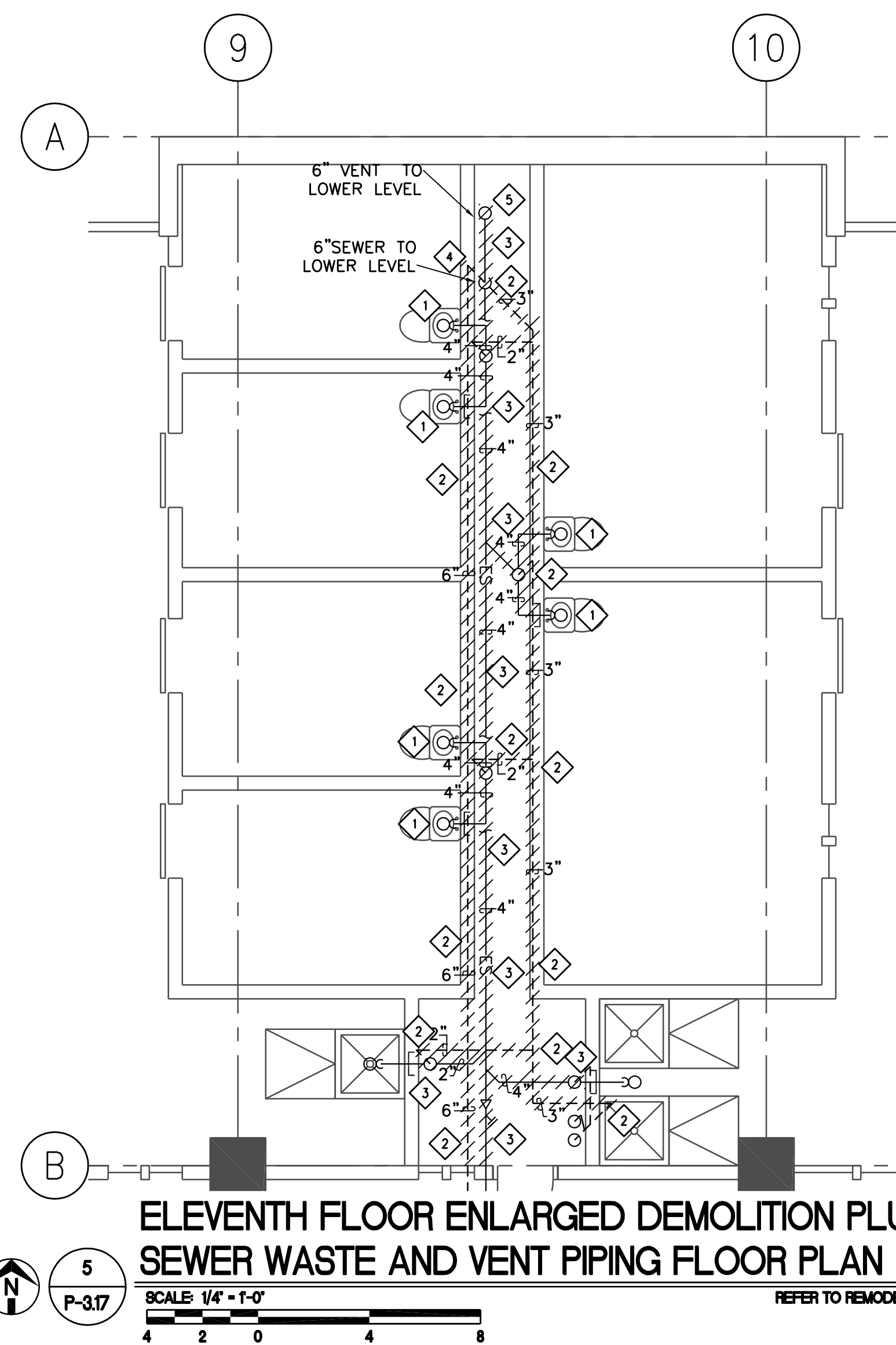
ELEVENTH FLOOR ENLARGED DEMOLITION PLUMBING SEWER WASTE AND VENT PIPING FLOOR PLAN
SCALE: 1/4" = 1'-0"
REFER TO REMODEL PLAN 2/P-536



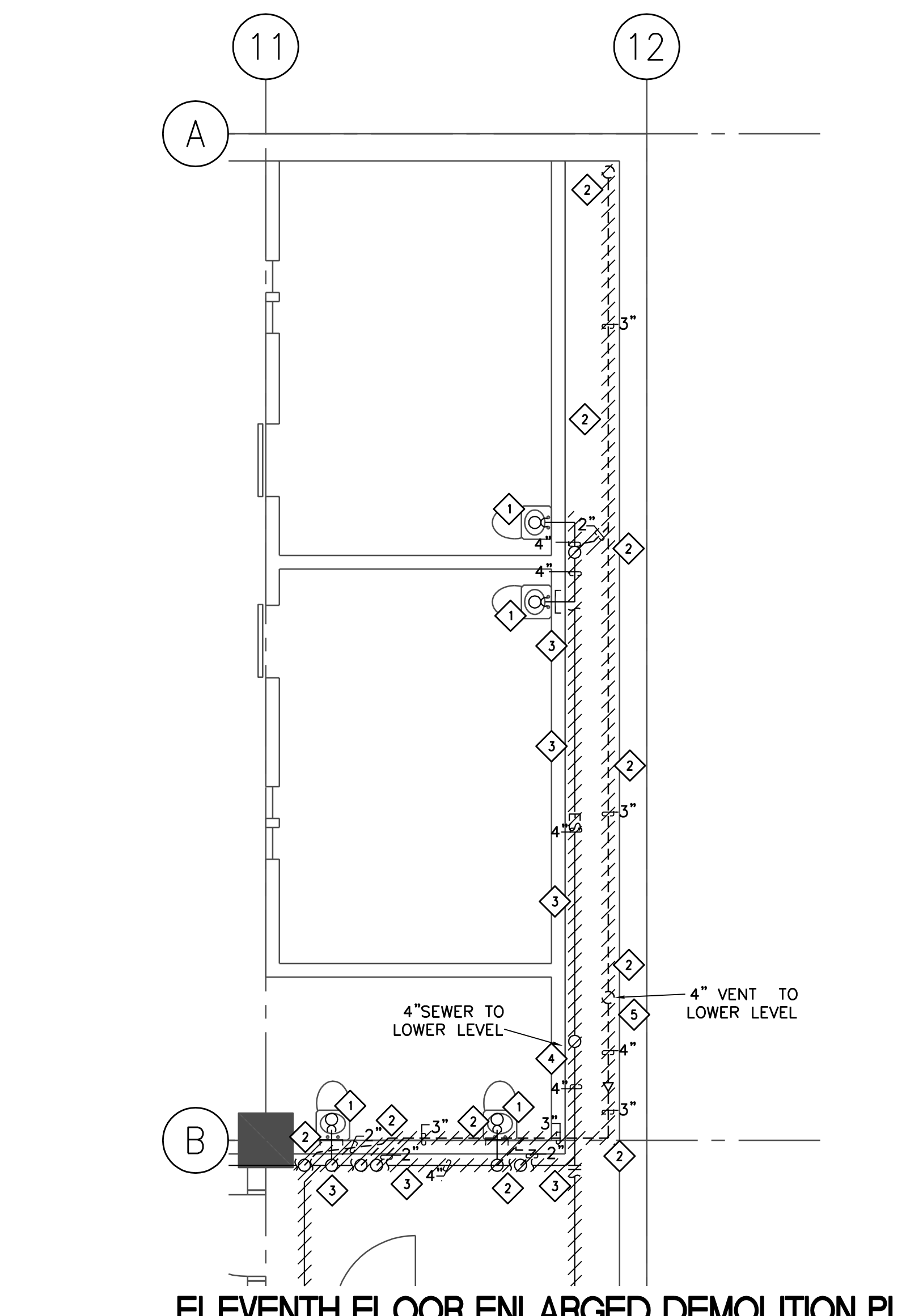
ELEVENTH FLOOR ENLARGED DEMOLITION PLUMBING SEWER WASTE AND VENT PIPING FLOOR PLAN
SCALE: 1/4" = 1'-0"
REFER TO REMODEL PLAN 3/P-536



ELEVENTH FLOOR ENLARGED DEMOLITION PLUMBING SEWER WASTE AND VENT PIPING FLOOR PLAN
SCALE: 1/4" = 1'-0"
REFER TO REMODEL PLAN 4/P-536



ELEVENTH FLOOR ENLARGED DEMOLITION PLUMBING SEWER WASTE AND VENT PIPING FLOOR PLAN
SCALE: 1/4" = 1'-0"
REFER TO REMODEL PLAN 5/P-536



ELEVENTH FLOOR ENLARGED DEMOLITION PLUMBING SEWER WASTE AND VENT PIPING FLOOR PLAN
SCALE: 1/4" = 1'-0"
REFER TO REMODEL PLAN 6/P-536

DEMOLITION PLUMBING GENERAL NOTES:

- 1 THE INTENT OF THE DEMOLITION AND REPLACEMENT OF THE SEWER AND VENTING SYSTEMS FOR THE FACILITY. THIS FACILITY IS A 24/7 SECURED OPERATION FACILITY. SO THE CONTRACTOR SHALL COORDINATE ALL DEMOLITION AND REMODEL WORK WITH THE DETENTION PERSONNEL.
- 2 DEMOLITION SEWER AND VENT WORK SHOWN HATCHED, EXISTING WORK TO REMAIN IS UNHATCHED.
- 3 SOME PLUMBING CHASES CONTAIN MECHANICAL DUCTWORK, THE CONTRACTOR SHALL COORDINATE THE REMOVAL OF EXISTING SEWER AND VENT PIPING WITH THIS DUCTWORK.

DEMOLITION PLUMBING KEYED NOTES:

- 1 EXISTING SEWER FROM THE CELL WATERCLOSET/SINK COMBO IS TO BE REMOVED FROM THE FIXTURE CONNECTION TO THE FLOOR PENETRATION, REFER TO REMODEL DRAWINGS P-5.xx AS NOTED ON PLAN FOR FURTHER INFORMATION.
- 2 EXISTING VENT PIPING IN CHASE TO BE REMOVED AND REPLACED REFER TO REMODEL DRAWINGS P-5.xx AS NOTED ON PLAN FOR FURTHER INFORMATION.
- 3 EXISTING SEWER PIPING IN CHASE BE REMOVED AND REPLACED, REFER TO REMODEL DRAWINGS P-5.xx AS NOTED ON PLAN FOR FURTHER INFORMATION.
- 4 EXISTING SEWER MAIN RISER TO BE REMOVED AND REPLACED, REFER TO REMODEL DRAWINGS P-5.xx AS NOTED ON PLAN FOR FURTHER INFORMATION.
- 5 EXISTING VENT MAIN RISER TO BE REMOVED AND REPLACED, REFER TO REMODEL DRAWINGS P-5.xx AS NOTED ON PLAN FOR FURTHER INFORMATION.

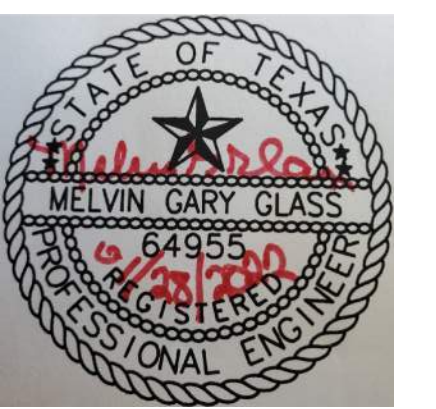
THIS DOCUMENT, WHETHER IN HARD COPY OR MACHINE READABLE FORMAT, IS COPYRIGHTED AND AN INSTRUMENT OF SERVICES IN RESPECT TO THE PROJECT FOR WHICH IT WAS PREPARED. THIS DOCUMENT IS NOT INTENDED OR AUTHORIZED FOR REUSE BY ANY PARTY ON EXTENSIONS OF SUCH PROJECT OR ANY OTHER PROJECT. ANY REUSE, INCLUDING COPYING AND/OR MODIFYING THE DOCUMENT, WITHOUT WRITTEN PERMISSION FROM EMC ENGINEERS FOR THE SPECIFIC PURPOSE INTENDED IS A VIOLATION OF FEDERAL COPYRIGHT LAW. UNAUTHORIZED USE OF THIS MATERIAL MAY RESULT IN CIVIL AND/OR CRIMINAL PENALTIES.
COPY RIGHT 2013 EMC ENGINEERS.

Project:	UPGRADE AND REPLACE THE SANITARY SEWER SYSTEM AT THE EL PASO COUNTY DETENTION FACILITY
Location:	601 E OVERLAND STREET EL PASO, TEXAS
Job Number:	EMC-2108022
Date:	11/23/2021
Scale:	AS SHOWN
Sheet:	P-3.17
37 of:	X

Rev.#	Date	Initial	Revision Description

Designed By:	ETC
Drawn By:	ETC
Checked By:	ETC

EMC ENGINEERS
2311 E. BURNHAM AVE. SUITE 3000
EL PASO, TEXAS 79901
TEL: 915-791-2000
FAX: 915-791-2005
WWW.EMCENGINEERS.COM
EMC PROJECT #2108022



THE SEAL APPEARING ON THIS DOCUMENT WAS AUTHORIZED BY MELVIN G. GLASS, P.E. #64935 OF EMC ENGINEERS (TEXAS FIRM REG. #24911) ON JANUARY 28, 2022. ALTERATION OF A SEALED DOCUMENT WITHOUT PROPER NOTIFICATION TO THE RESPONSIBLE ENGINEER IS AN OFFENSE UNDER THE TEXAS ENGINEERING PRACTICE ACT.

Rev.#	Date	Initial	Description
1			EMC
2			EMC
3			EMC
4			EMC
5			EMC
6			EMC

EMC ENGINEERS
2311 E. BUSINESS AVENUE, SUITE 100
EL PASO, TEXAS 79901
TEL: 915-781-2030
FAX: 915-781-2032
WWW.EMCENGINEERS.COM

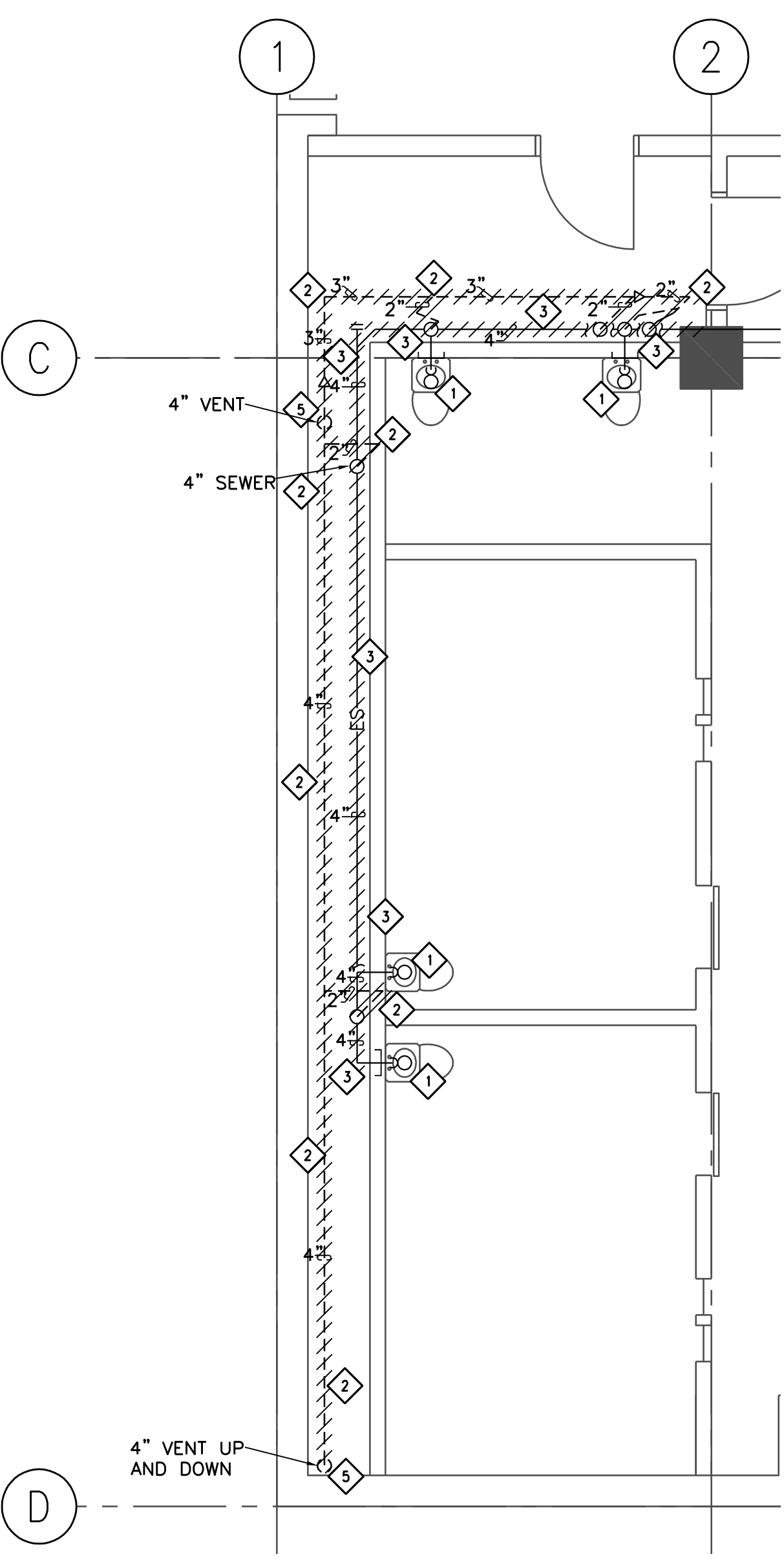


DEMOLITION PLUMBING GENERAL NOTES:

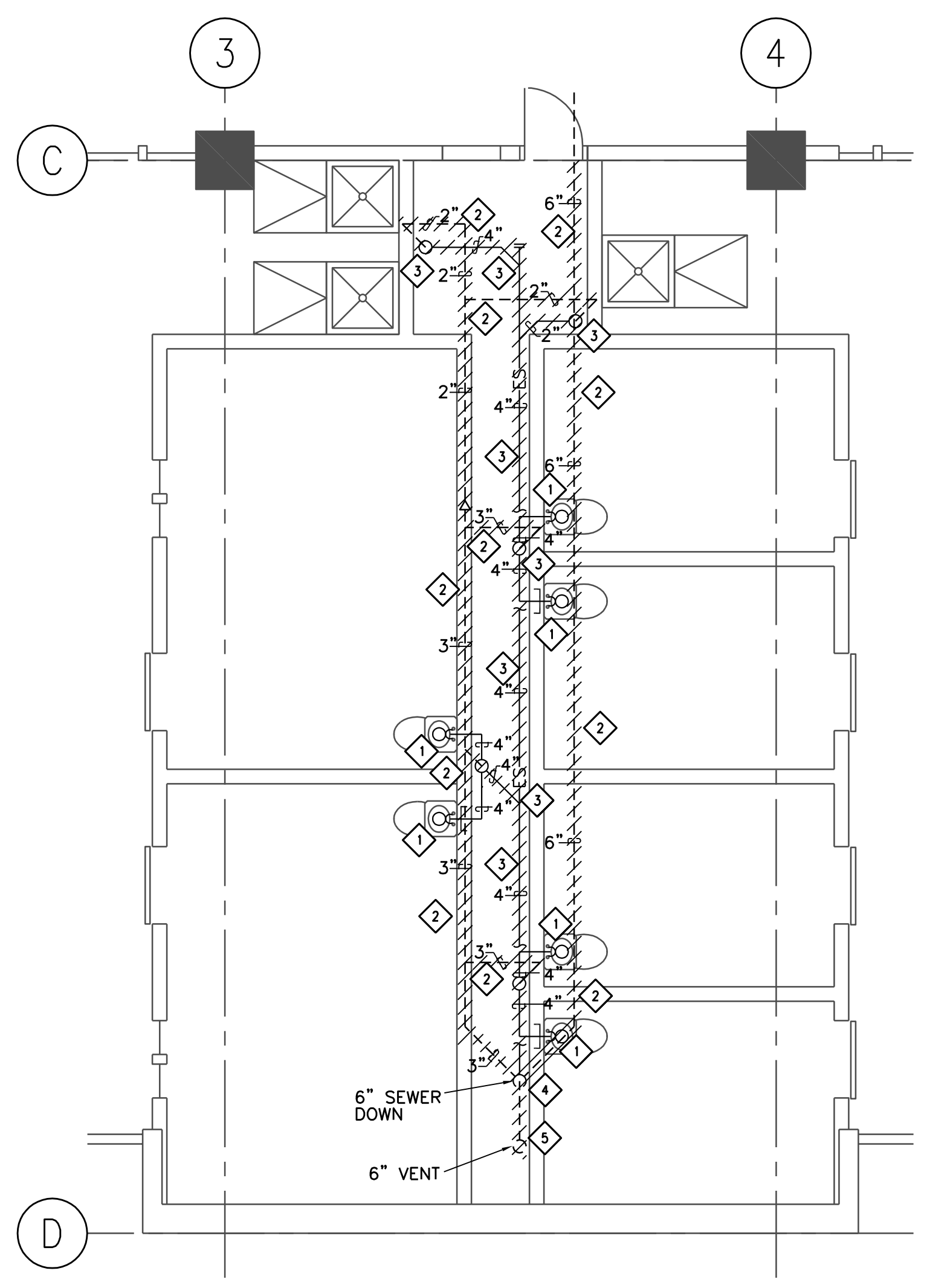
- 1 THE INTENT OF THE DEMOLITION AND REPLACEMENT OF THE SEWER AND VENTING SYSTEMS FOR THE FACILITY. THIS FACILITY IS A 24/7 SECURED OPERATION FACILITY. SO THE CONTRACTOR SHALL COORDINATE ALL DEMOLITION AND REMODEL WORK WITH THE DETENTION PERSONNEL.
- 2 DEMOLITION SEWER AND VENT WORK SHOWN HATCHED, EXISTING WORK TO REMAIN IS UNHATCHED.
- 3 SOME PLUMBING CHASES CONTAIN MECHANICAL DUCTWORK, THE CONTRACTOR SHALL COORDINATE THE REMOVAL OF EXISTING SEWER AND VENT PIPING WITH THIS DUCTWORK.

DEMOLITION PLUMBING KEYED NOTES:

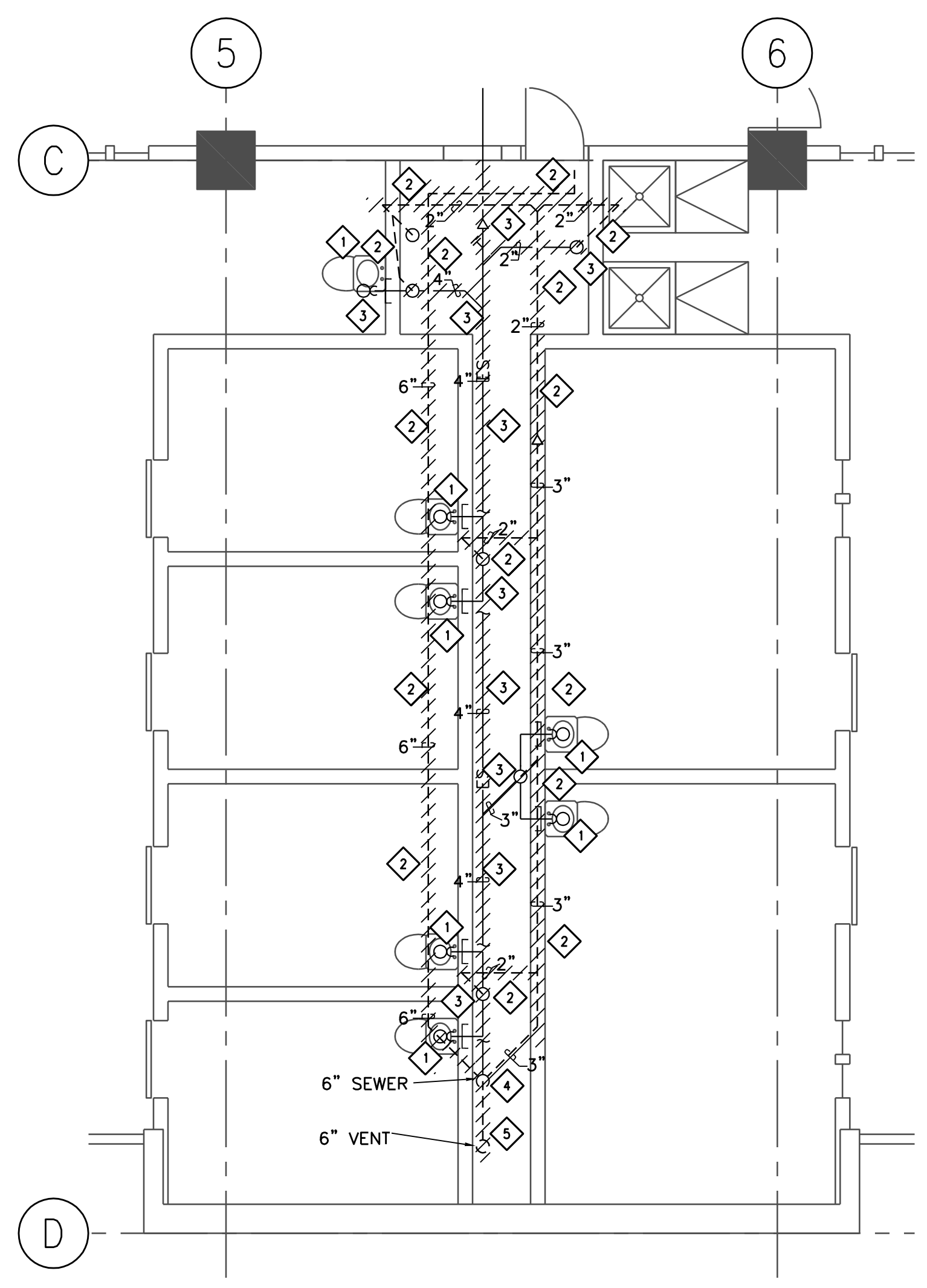
- 1 EXISTING SEWER FROM THE CELL WATERCLOSET/SINK COMBO IS TO BE REMOVED FROM THE FIXTURE CONNECTION TO THE FLOOR PENETRATION, REFER TO REMODEL DRAWINGS P-5.XX AS NOTED ON PLAN FOR FURTHER INFORMATION.
- 2 EXISTING VENT PIPING IN CHASE TO BE REMOVED AND REPLACED REFER TO REMODEL DRAWINGS P-5.XX AS NOTED ON PLAN FOR FURTHER INFORMATION.
- 3 EXISTING SEWER PIPING IN CHASE BE REMOVED AND REPLACED, REFER TO REMODEL DRAWINGS P-5.XX AS NOTED ON PLAN FOR FURTHER INFORMATION.
- 4 EXISTING SEWER MAIN RISER TO BE REMOVED AND REPLACED, REFER TO REMODEL DRAWINGS P-5.XX AS NOTED ON PLAN FOR FURTHER INFORMATION.
- 5 EXISTING VENT MAIN RISER TO BE REMOVED AND REPLACED, REFER TO REMODEL DRAWINGS P-5.XX AS NOTED ON PLAN FOR FURTHER INFORMATION.



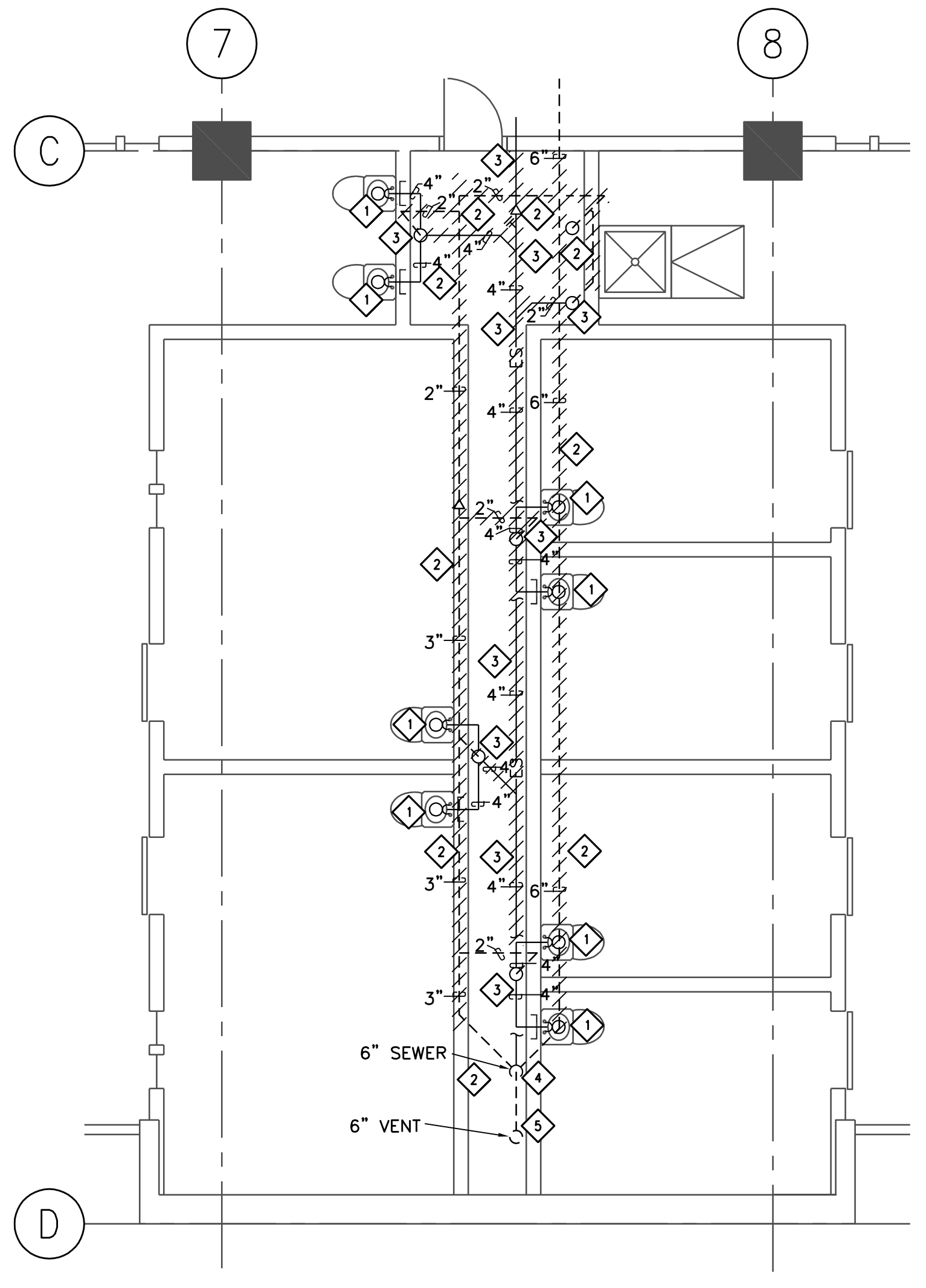
ELEVENTH FLOOR ENLARGED DEMOLITION PLUMBING SEWER WASTE AND VENT PIPING FLOOR PLAN
SCALE 1/4" = 1'-0"
REFER TO REMODEL PLAN 1/P-537



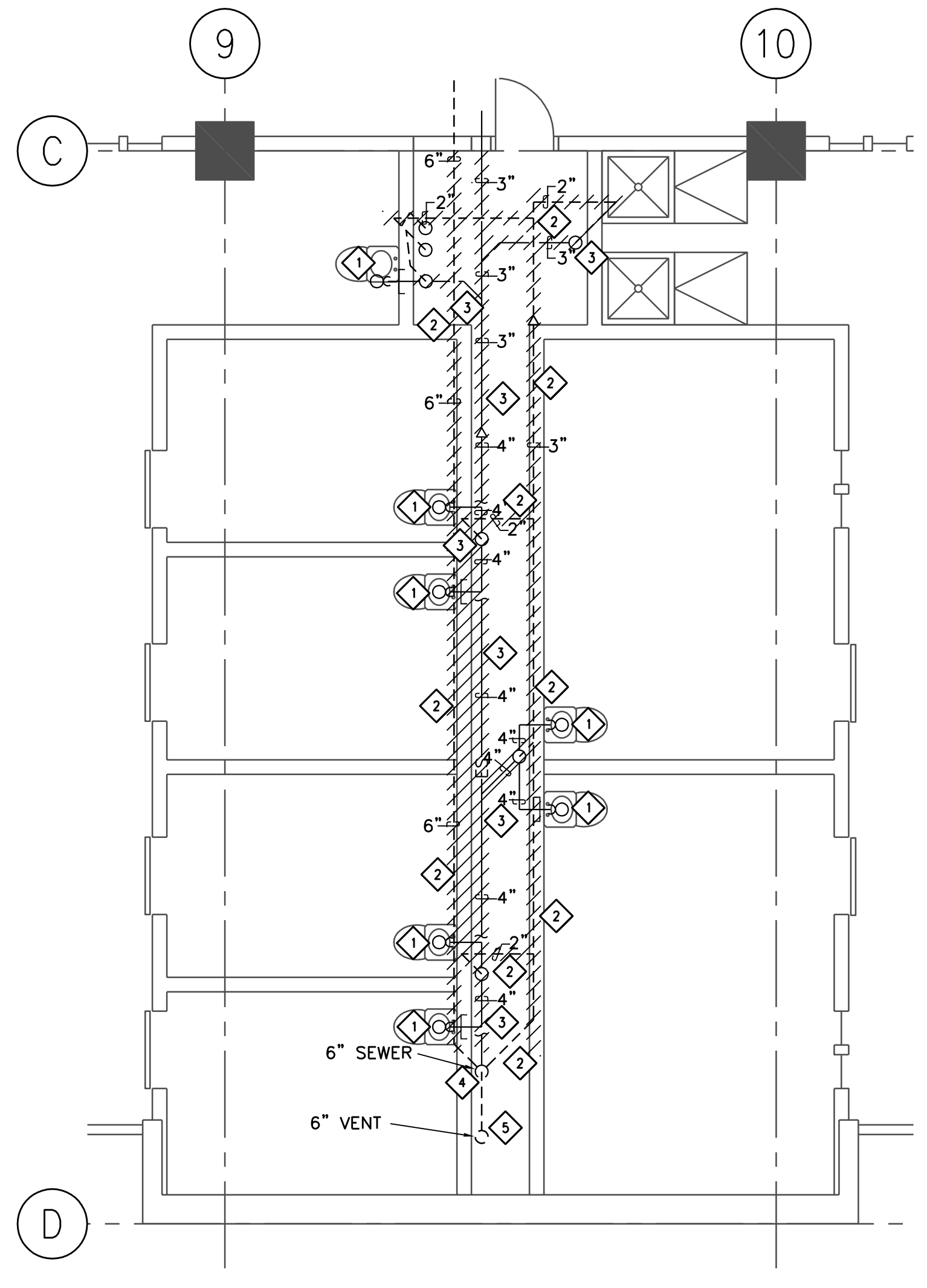
ELEVENTH FLOOR ENLARGED DEMOLITION PLUMBING SEWER WASTE AND VENT PIPING FLOOR PLAN
SCALE 1/4" = 1'-0"
REFER TO REMODEL PLAN 2/P-537



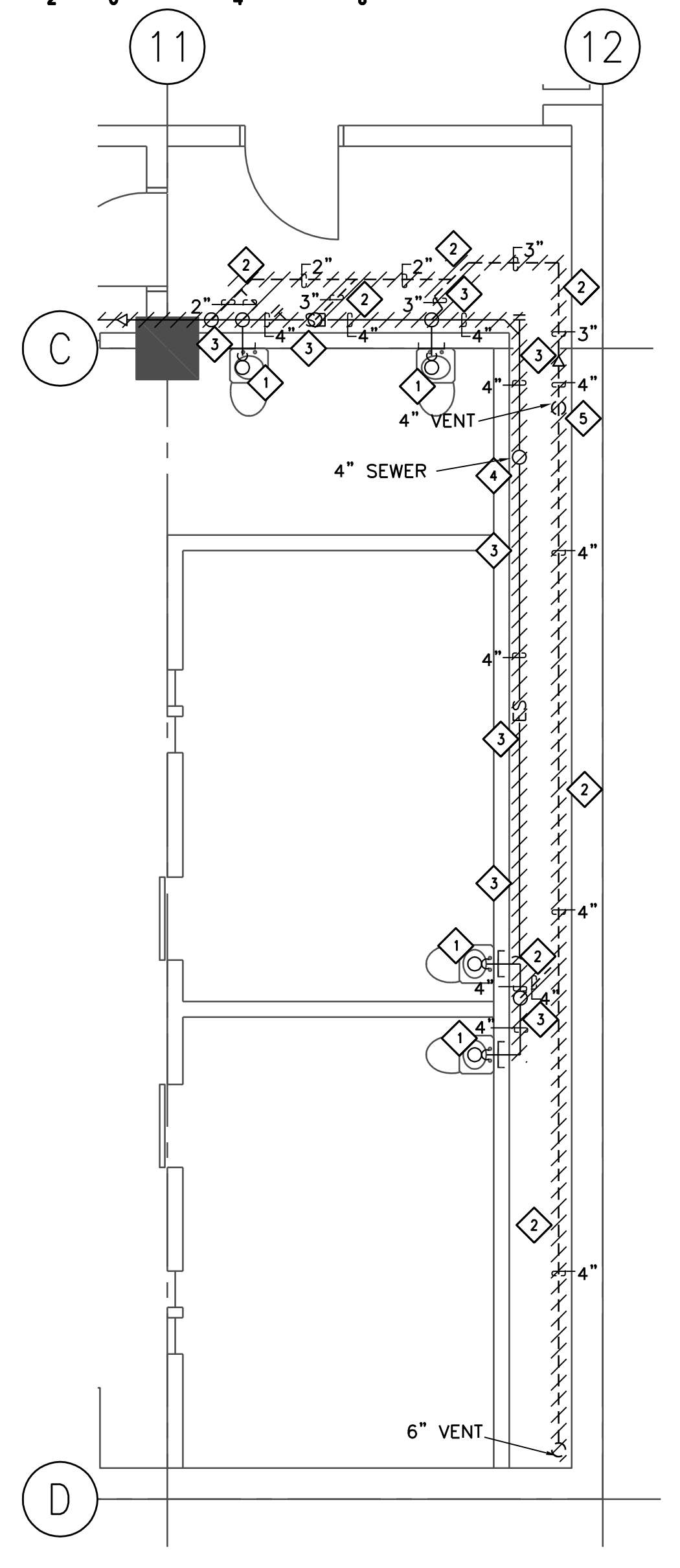
ELEVENTH FLOOR ENLARGED DEMOLITION PLUMBING SEWER WASTE AND VENT PIPING FLOOR PLAN
SCALE 1/4" = 1'-0"
REFER TO REMODEL PLAN 3/P-537



ELEVENTH FLOOR ENLARGED DEMOLITION PLUMBING SEWER WASTE AND VENT PIPING FLOOR PLAN
SCALE 1/4" = 1'-0"
REFER TO REMODEL PLAN 1/P-538

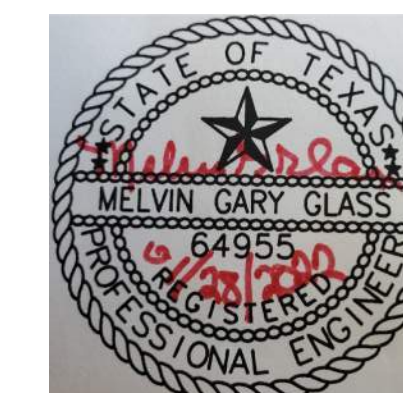


ELEVENTH FLOOR ENLARGED DEMOLITION PLUMBING SEWER WASTE AND VENT PIPING FLOOR PLAN
SCALE 1/4" = 1'-0"
REFER TO REMODEL PLAN 2/P-538



ELEVENTH FLOOR ENLARGED DEMOLITION PLUMBING SEWER WASTE AND VENT PIPING FLOOR PLAN
SCALE 1/4" = 1'-0"
REFER TO REMODEL PLAN 3/P-538

THIS DOCUMENT, WHETHER IN HARD COPY OR MACHINE READABLE FORMAT, IS COPYRIGHTED AND AN INSTRUMENT OF SERVICES IN RESPECT TO THE PROJECT FOR WHICH IT WAS PREPARED. THIS DOCUMENT IS NOT INTENDED OR AUTHORIZED FOR REUSE BY ANY PARTY ON EXTENSIONS OF SUCH PROJECT OR ANY OTHER PROJECT. ANY REUSE, INCLUDING COPYING AND/OR MODIFYING THE DOCUMENT, WITHOUT WRITTEN PERMISSION FROM EMC ENGINEERS FOR THE SPECIFIC PURPOSE INTENDED IS A VIOLATION OF FEDERAL COPYRIGHT LAW. UNAUTHORIZED USE OF THIS MATERIAL MAY RESULT IN CIVIL AND/OR CRIMINAL PENALTIES.
COPY RIGHT 2013 EMC ENGINEERS.



THE SEAL APPEARING ON THIS DOCUMENT WAS AUTHORIZED BY MELVIN G. GLASS, P.E. #64935 OF EMC ENGINEERS (TEXAS TRM REL. #24491) ON JANUARY 28, 2022. ANY ALTERATION OR REISSUE WITHOUT PROPER NOTIFICATION TO THE RESPONSIBLE ENGINEER IS AN OFFENSE UNDER THE TEXAS ENGINEERING PRACTICE ACT.

LEGEND

- UNDERGROUND PIPING
- HARD CEILING
- KITCHEN REFLECTED CEILING
- FURRED DOWN CHASE
- REFLECTED CEILING

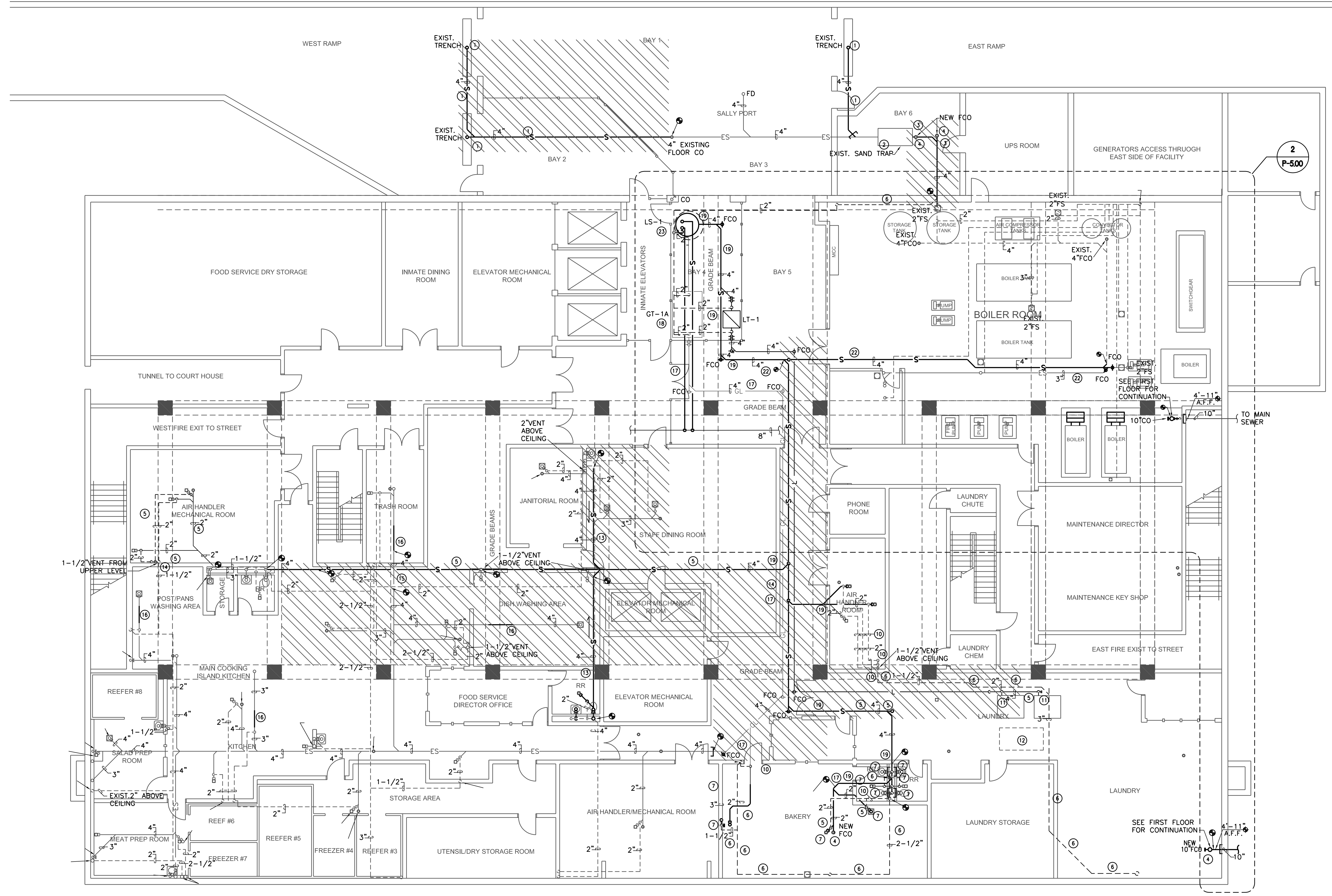
NOTE
*CEILING SHOW HACHED TO BE REPLACED

REMODEL PLUMBING GENERAL NOTES:

1. THE INTENT IS TO REMODEL REPLACEMENT OF THE SEWER AND VENTING SYSTEMS FOR THE FACILITY. THIS FACILITY IS A 24/7 SECURED OPERATION FACILITY, SO THE CONTRACTOR SHALL COORDINATE ALL DEMOLITION AND REMODEL WORK WITH THE DETENTION PERSONNEL.

REMODEL PLUMBING KEYED NOTES:

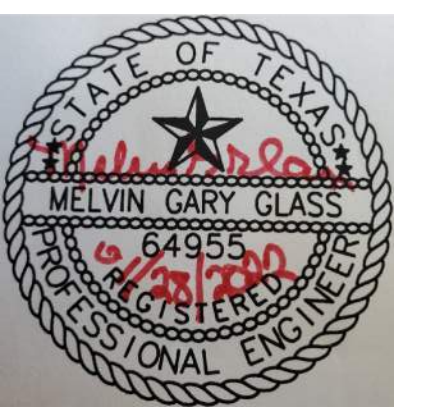
1. INSTALL NEW 4" CAST IRON HUB DRAIN CONNECT TO EXISTING TRENCH DRAIN WITH NO TRAP OR VENT. HUB DRAIN TO BE FLUSH WITH BOTTOM OF TRENCH. EXTEND NEW SEWER PIPING AND CONNECT TO EXISTING PIPING GOING TO THE SAND/OIL TRAP AS INDICATED. INSTALL UNDERFLOOR PIPING PER SCHEMATIC 5/P1.01.
2. EXISTING SAND/OIL TRAP TO BE CLEANED AND HAVE ITS SUMP'S CHECKED FOR LEAKING, IF LEAKAGE FOUND THE CONTRACTOR SHALL NOTIFY THE ENGINEER FOR FURTHER INSTRUCTIONS.
3. REPLACE EXISTING 4" SEWER DISCHARGE LINE WITH CLEANOUTS FROM THE SAND/OIL TRAP AS INDICATED OVER TO THE WALL GOING INTO THE MECHANICAL ROOM. EXTEND NEW 3" VENT UP WALL AS INDICATED FOR CONNECTION TO NEW MECHANICAL ROOM VENTING SYSTEM, REFER TO DRAWINGS FOR CONNECTION. INSTALL UNDERFLOOR PIPING PER SCHEMATIC 5/P1.01.
4. NEW FLOOR CLEANOUT PER SCHEMATIC 1/P1.01, TYPICAL
5. REPLACE EXISTING SEWER WITH NEW SEWER PIPING AT SIZE AS INDICATED. INSTALL UNDERFLOOR PIPING PER SCHEMATIC 5/P1.01.
6. REPLACE EXISTING VENT WITH NEW VENT PIPING AT SIZE AS INDICATED. SUPPORT PIPING PER SCHEMATIC 12/P1.01.
7. REPLACE EXISTING SEWER WITH NEW SEWER PIPING AT SIZE AS INDICATED TO THE EXISTING PLUMBING FIXTURE FLOOR PENETRATION, EXISTING PLUMBING FIXTURE AND PIPING IN THE CHASE TO REMAIN AND BE RECONNECTED TO NEW SEWER MAIN. REPLACE EXISTING VENT WITH NEW VENT PIPING AT SIZE AS INDICATED TO THE EXISTING PLUMBING FIXTURE CEILING PENETRATION, EXISTING PLUMBING FIXTURE AND PIPING IN THE CHASE TO REMAIN AND BE RECONNECTED TO NEW VENT MAIN. SUPPORT PIPING PER SCHEMATIC 12/P1.01.
8. REPLACE EXISTING SEWER WITH NEW SEWER PIPING AT SIZE AS INDICATED TO THE EXISTING GREASE TRAP. EXISTING GREASE TRAP TO REMAIN AND BE RECONNECTED TO NEW SEWER/VENT MAINS. INSTALL UNDERFLOOR PIPING PER SCHEMATIC 5/P1.01.
9. EXISTING SEWER PIPING IS TO REMAIN AND BE RECONNECTED TO THE NEW SEWER MAIN AS INDICATED.
10. EXISTING VENT PIPING UNDERFLOOR AND IN WALL IS TO REMAIN AND BE RECONNECTED TO THE NEW VENT MAIN AS INDICATED.
11. EXISTING WASHING MACHINE 4" CONNECTION TO AND 4" SEWER MAIN TO BE REPLACED WITH NEW PIPING TO FLOW IN OPPOSITE DIRECTION AS INDICATED.
12. EXISTING LINT TRAP TO BE CLEANED OUT AND BE REMOVED, ASSOCIATED 4" INLET AND OUTLET SEWER PIPING TO BE REMOVED AND CAPPED AS INDICATED, REFER TO P-2.00 FOR FURTHER INFORMATION.
13. EXISTING SEWER MAIN TO BE REPLACED WITH NEW SEWER. NEW SEWER IS TO FLOW IN DIRECTION SHOWN TO NEW SEWER MAIN AS INDICATED.
14. NEW 4" SEWER MAIN FROM EXISTING RESTROOM TO NEW MAIN IN THE CORRIDOR AS INDICATED. CONNECT EXISTING AND NEW SEWER PIPING AS INDICATED.
15. EXISTING 4" GREASE SEWER MAIN TO BYPASS THE NEW 4" SEWER MAIN AND CONTINUE AS INDICATED. REMOVE SEWER FITTINGS AS REQUIRED.
16. EXISTING GREASE TRAP ARE TO BE CLEANOUT AND REMOVED. THE EXISTING VENT CONNECTION ARE TO BE CAPPED AND ABANDONED IN PLACE. AN INSTALL FULL SIZE SEWER EXTENSION PIPE BETWEEN INLET AND OUTLET LOCATIONS IN THE GREASE TRAP SPACE. REFER TO SHEET P-2.00 FOR FURTHER DEMOLITION INFORMATION.
17. PROVIDE AND INSTALL NEW 4" GREASE SEWER MAIN AS INDICATED FROM THE BAKERY AREA AS INDICATED. DOWN THE CORRIDOR AND OVER TO NEW GREASE TRAP IN THE SALLY PORT BAY 4. SEE NOTE 18 ON GREASE TRAP.
18. NEW 1500 GALLON TWO (2) SECTION GREASE TRAP PER SCHEMATIC 3/P1.02. INSTALL PER MANUFACTURERS RECOMMENDATIONS. CONNECT TO LIFT STATION WITH 4" SEWER MAIN AS INDICATED.
19. NEW 4" SANITARY SEWER PIPING FROM EXISTING LAUNDRY RESTROOM DOWN CORRIDOR CONNECTING TO OTHER SANITARY SEWER CONNECTIONS AS INDICATED. ROUTE OVER AND CONNECT TO SEWER INLET INTO LIFT STATION (LS-1) AS INDICATED. REFER TO REMODEL PLUMBING GENERAL NOTE REGARDING GRADES BEAMS AND UNDERGROUND STRUCTURES.
20. NEW ABOVE GROUND 4" WASHER CONNECTION PIPING THAT GOES UNDERGROUND AS INDICATED OVER TO AND DOWN CORRIDOR TOWARD THE SALLY PORT BAY 4 AS INDICATED. CONNECT WITH 4" LINT SEWER TO NEW LINT TRAP (LT-1) PER SCHEMATIC 4/P1.02. SEE NOTE 21.
21. NEW INGROUND LINT TRAP PER SCHEMATIC 4/P1.02. CONNECT INLET TO THE LINT 4" SEWER MAIN FROM THE CORRIDOR AS INDICATED. CONNECT 4" LINT DISCHARGE TO 4" SANITARY SEWER GOING TO THE LIFT STATION (LS-1).
22. NEW 4" SANITARY SEWER MAIN FROM THE BOILER ROOM AND SAND-OIL TRAP. ROUTE NEW 4" SEWER PIPING AS INDICATED FROM CONNECTION POINT IN BOILER ROOM TO THE NEW SANITARY SEWER COMING DOWN THE CORRIDOR AS INDICATED. SEE NOTE 19 FOR FURTHER INFORMATION.
23. NEW LIFT STATION LS-1 TO BE INSTALLED AT THIS LOCATION. COORDINATE LOCATION WITH EXISTING UNDERGROUND GRADE BEAM TWO NEW 4" SEWER PIPING TO RISE UP FROM LIFT STATION AND CONNECT TO EXISTING 10" SEWER MAIN IN CONCEALED CEILING SPACE AS INDICATED.



1 UNDERGROUND BASEMENT PLUMBING SEWER WASTE AND VENT PIPING REMODEL FLOOR PLAN
 SCALE: 1/8" = 1'-0"
 8 6 4 2 0 4 8 12 16

THIS DOCUMENT, WHETHER IN HARD COPY OR MACHINE READABLE FORMAT, IS COPYRIGHTED AND AN INSTRUMENT OF SERVICES IN RESPECT TO THE PROJECT FOR WHICH IT WAS PREPARED. THIS DOCUMENT IS NOT INTENDED OR AUTHORIZED FOR REUSE BY ANY PARTY ON EXTENSIONS OF SUCH PROJECT OR ANY OTHER PROJECT. ANY REUSE, INCLUDING COPYING AND/OR MODIFYING THE DOCUMENT, WITHOUT WRITTEN PERMISSION FROM EMC ENGINEERS FOR THE SPECIFIC PURPOSE INTENDED IS A VIOLATION OF FEDERAL COPYRIGHT LAW. UNAUTHORIZED USE OF THIS MATERIAL MAY RESULT IN CIVIL AND/OR CRIMINAL PENALTIES.
 COPY RIGHT 2013 EMC ENGINEERS.

Project Description:	
Rev. #/Date:	Initial
Designed By:	ETC
Drawn By:	ETC
Checked By:	ETC
UPGRADE AND REPLACE THE SANITARY SEWER SYSTEM AT THE EL PASO COUNTY DETENTION FACILITY 601 E OVERLAND STREET EL PASO, TEXAS	
Job Number:	ETC-2108022
Date:	11/23/2021
Scale:	AS SHOWN
Sheet	P-4.00
39 of: X	



THE SEAL APPEARING ON THIS DOCUMENT WAS AUTHORIZED BY MELVIN G. GLASS, P.E. #64935 OF EMC ENGINEERS (TEAMS FIRM REG. #24991) ON JANUARY 28, 2022. ALTERATION OF A SEALED DOCUMENT WITHOUT PROPER NOTIFICATION TO THE RESPONSIBLE ENGINEER IS AN OFFENSE UNDER THE TEXAS ENGINEERING PRACTICE ACT.

LEGEND	
	UNDERGROUND PIPING
	HARD CEILINGS
	KITCHEN REFLECTED CEILING
	FURRED DOWN CHASE
	REFLECTED CEILINGS

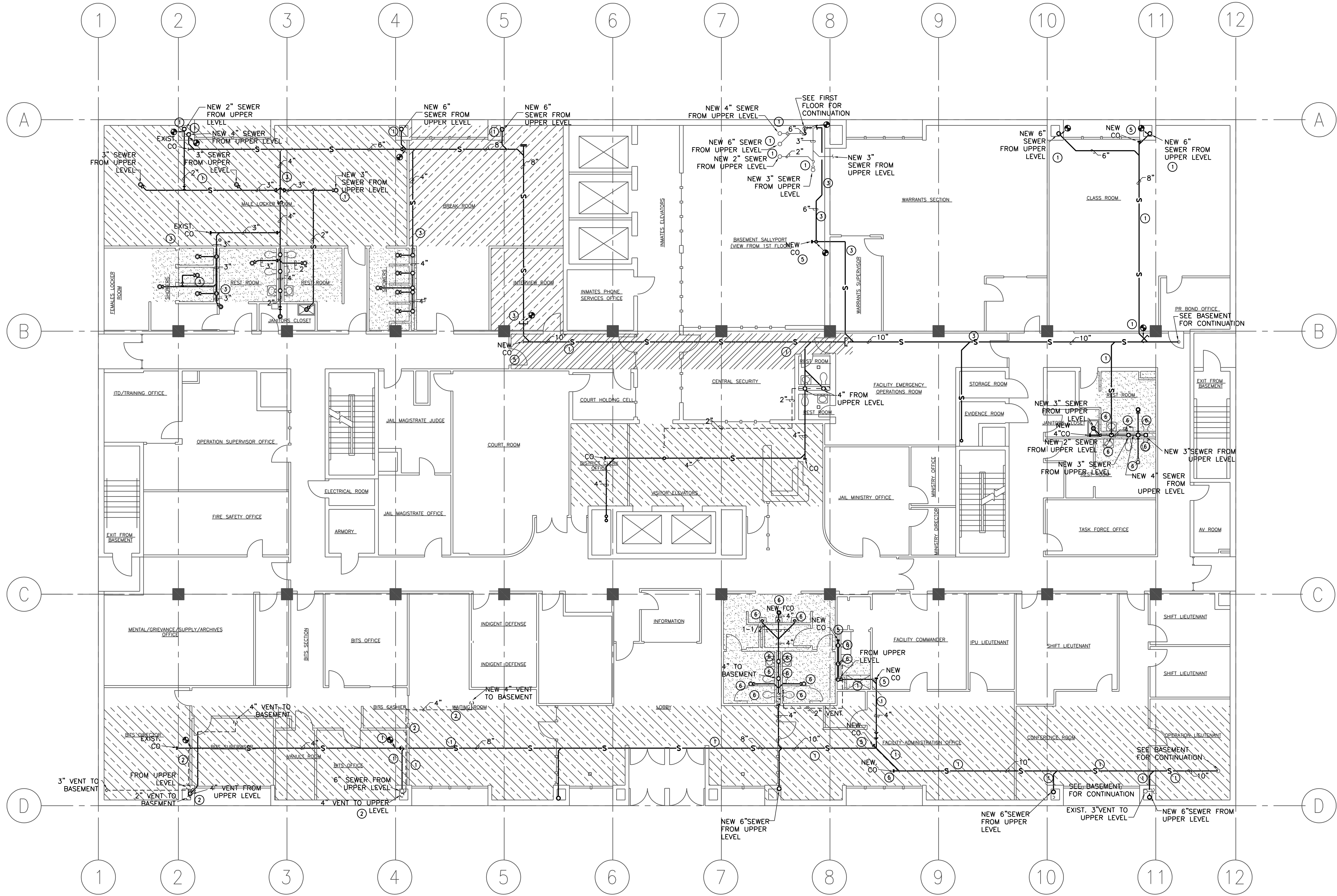
NOTE
*CEILING SHOW HATCHED TO BE REPLACED

REMODEL PLUMBING GENERAL NOTES:

1. THE INTENT IS TO REMODEL REPLACEMENT OF THE SEWER AND VENTING SYSTEMS FOR THE FACILITY. THIS FACILITY IS A 24/7 SECURED OPERATION FACILITY, SO THE CONTRACTOR SHALL COORDINATE ALL DEMOLITION AND REMODEL WORK WITH THE DETENTION PERSONNEL.

REMODEL PLUMBING KEYED NOTES:

- 1 REPLACE EXISTING SEWER WITH NEW SEWER PIPING AT SIZE AS INDICATED INSTALL PIPING PER SCHEMATIC 10/P1.01.
- 2 REPLACE EXISTING VENT WITH NEW VENT PIPING AT SIZE AS INDICATED SUPPORT PIPING PER SCHEMATIC 10/P1.01.
- 3 EXISTING SEWER PIPING IS TO REMAIN AND BE RECONNECTED TO THE NEW SEWER MAIN AS INDICATED.
- 4 EXISTING VENT PIPING UNDERFLOOR AND IN WALL IS TO REMAIN AND BE RECONNECTED TO THE NEW VENT MAIN AS INDICATED.
- 5 PROVIDE AND INSTALL NEW INLINE CLEANOUT AT SIZE INDICATED PER SCHEMATIC 3/P1.01.
- 6 REPLACE EXISTING SEWER WITH NEW SEWER PIPING AT SIZE AS INDICATED TO THE EXISTING PLUMBING FIXTURE FLOOR PENETRATION. EXISTING PLUMBING FIXTURE AND PIPING IN THE CHASE TO REMAIN AND BE RECONNECTED TO NEW SEWER MAIN. REPLACE EXISTING VENT WITH NEW VENT PIPING AT SIZE AS INDICATED TO THE EXISTING PLUMBING FIXTURE CEILING PENETRATION. EXISTING PLUMBING FIXTURE AND PIPING IN THE CHASE TO REMAIN AND BE RECONNECTED TO NEW VENT MAIN. SUPPORT PIPING PER SCHEMATIC 12/P1.01.

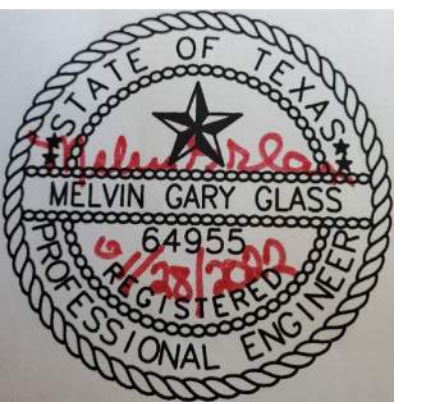


FIRST FLOOR PLUMBING SEWER WASTE AND VENT PIPING REMODEL FLOOR PLAN
 1
 P-401
 SCALE 1/8" = 1'-0"
 8 6 4 2 0 4 8 12 16

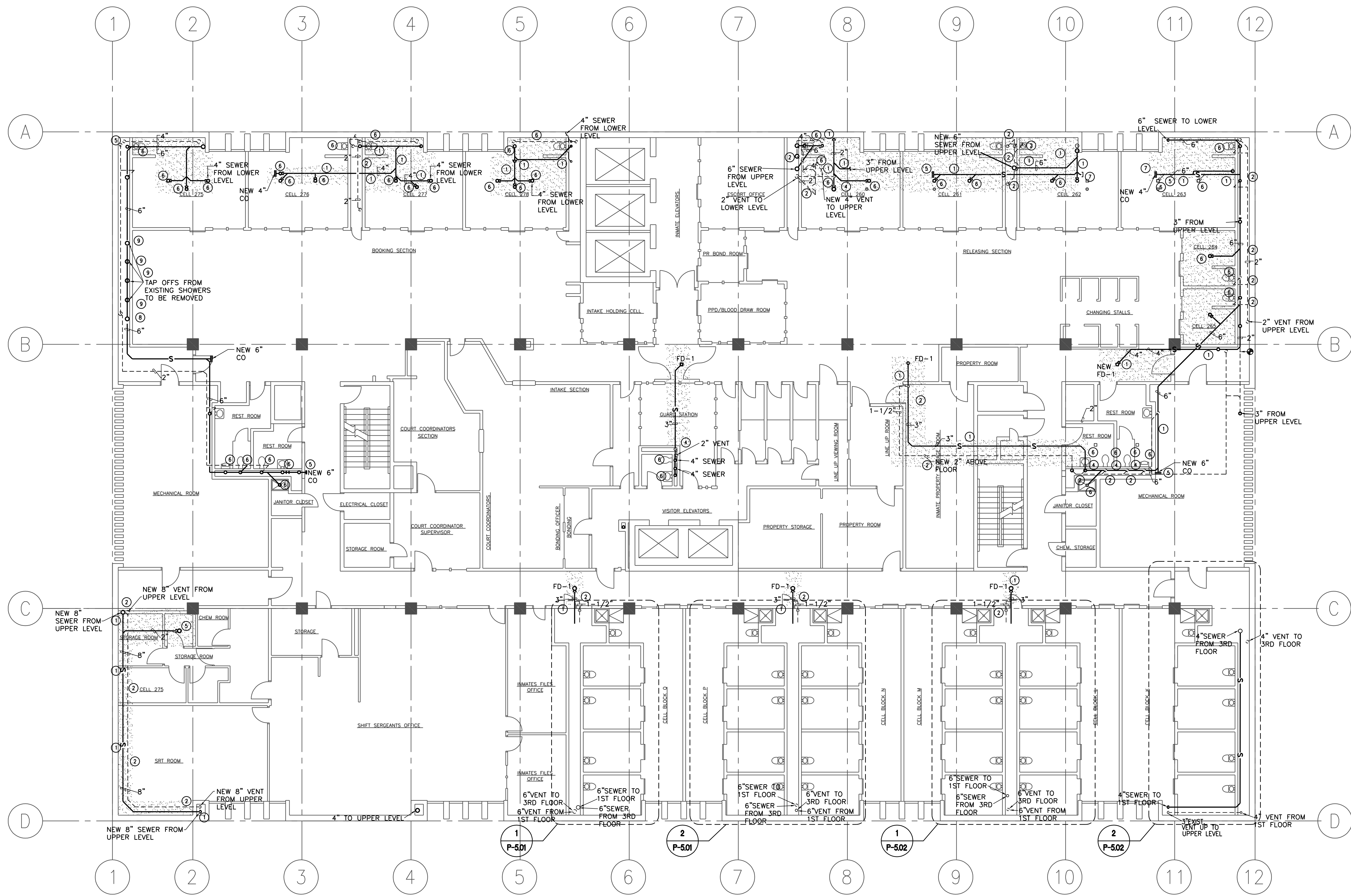
THIS DOCUMENT, WHETHER IN HARD COPY OR MACHINE READABLE FORMAT, IS COPYRIGHTED AND AN INSTRUMENT OF SERVICES IN RESPECT TO THE PROJECT FOR WHICH IT WAS PREPARED. THIS DOCUMENT IS NOT INTENDED OR AUTHORIZED FOR REUSE BY ANY PARTY ON EXTENSIONS OF SUCH PROJECT OR ANY OTHER PROJECT ANY REUSE, INCLUDING COPYING AND/OR MODIFYING THE DOCUMENT, WITHOUT WRITTEN PERMISSION FROM EMC ENGINEERS FOR THE SPECIFIC PURPOSE INTENDED IS A VIOLATION OF FEDERAL COPYRIGHT LAW. UNAUTHORIZED USE OF THIS MATERIAL MAY RESULT IN CIVIL AND/OR CRIMINAL PENALTIES.
 COPY RIGHT 2013 EMC ENGINEERS.

Project:	UPGRADE AND REPLACE THE SANITARY SEWER SYSTEM AT THE EL PASO COUNTY DETENTION FACILITY
Location:	601 E OVERLAND STREET EL PASO, TEXAS
Job Number:	ETC-2108022
Date:	11/23/2021
Scale:	A5 SHOWN
Sheet:	P-4.01
40 of:	X

EMC ENGINEERS
 2311 E. MICHIGAN AVE. SUITE 100
 EL PASO, TEXAS 79905
 TEL: 915-781-2030
 TEXAS FIRM REG. #430
 EMC PROJECT #2108022



THE SEAL APPEARING ON THIS DOCUMENT WAS AUTHORIZED BY MELVIN G. GLASS, P.E. #64935 OF EMC ENGINEERS (TEXAS FIRM REG. #24991) ON JANUARY 28, 2022. ANY ALTERATION OR ALTERATION OF A SEALED DOCUMENT WITHOUT PROPER NOTIFICATION TO THE RESPONSIBLE ENGINEER IS AN OFFENSE UNDER THE TEXAS ENGINEERING PRACTICE ACT.



LEGEND

- UNDERGROUND PIPING
- HARD CEILINGS
- KITCHEN REFLECTED CEILING
- FURRED DOWN CHASE
- REFLECTED CEILINGS

NOTE
*CEILING SHOW HATCHED TO BE REPLACED

REMODEL PLUMBING GENERAL NOTES:

1. THE INTENT IS TO REMODEL REPLACEMENT OF THE SEWER AND VENTING SYSTEMS FOR THE FACILITY. THIS FACILITY IS A 24/7 SECURED OPERATION FACILITY, SO THE CONTRACTOR SHALL COORDINATE ALL DEMOLITION AND REMODEL WORK WITH THE DETENTION PERSONNEL.

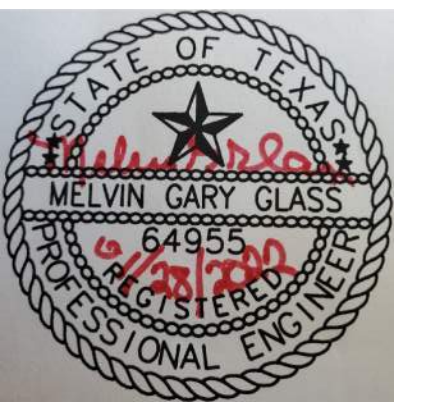
REMODEL PLUMBING KEYED NOTES:

- 1 REPLACE EXISTING SEWER WITH NEW SEWER PIPING AT SIZE AS INDICATED INSTALL PIPING PER SCHEMATIC 10/P1.01.
- 2 REPLACE EXISTING VENT WITH NEW VENT PIPING AT SIZE AS INDICATED SUPPORT PIPING PER SCHEMATIC 10/P1.01.
- 3 EXISTING SEWER PIPING IS TO REMAIN AND BE RECONNECTED TO THE NEW SEWER MAIN AS INDICATED.
- 4 EXISTING VENT PIPING UNDERFLOOR AND IN WALL IS TO REMAIN AND BE RECONNECTED TO THE NEW VENT MAIN AS INDICATED.
- 5 PROVIDE AND INSTALL NEW INLINE CLEANOUT AT SIZE INDICATED PER SCHEMATIC 3/P1.01.
- 6 REPLACE EXISTING SEWER WITH NEW SEWER PIPING AT SIZE AS INDICATED TO THE EXISTING PLUMBING FIXTURE FLOOR PENETRATION, EXISTING PLUMBING FIXTURE AND PIPING IN THE CHASE TO REMAIN AND BE RECONNECTED TO NEW SEWER MAIN. REPLACE EXISTING VENT WITH NEW VENT PIPING AT SIZE AS INDICATED TO THE EXISTING PLUMBING FIXTURE CEILING PENETRATION, EXISTING PLUMBING FIXTURE AND PIPING IN THE CHASE TO REMAIN AND BE RECONNECTED TO NEW VENT MAIN. SUPPORT PIPING PER SCHEMATIC 12/P1.01.
- 7 EXISTING SEWER PIPING IS TO BE REMOVED AND THE ENDS CAPPED AS INDICATED. PROVIDE AND INSTALL NEW INLINE CLEANOUT AT SIZE INDICATED PER SCHEMATIC 3/P-1.01.
- 8 EXISTING SEWER PIPING IS TO BE REMOVED TO THE MAIN SEWER AS INDICATED.
- 9 EXISTING VENT PIPING IS TO BE REMOVED TO THE MAIN SEWER AS INDICATED.

SECOND FLOOR PLUMBING SEWER WASTE AND VENT PIPING REMODEL FLOOR PLAN
 SCALE 1/8" = 1'-0"
 8 6 4 2 0 4 8 12 16

THIS DOCUMENT, WHETHER IN HARD COPY OR MACHINE READABLE FORMAT, IS COPYRIGHTED AND AN INSTRUMENT OF SERVICES IN RESPECT TO THE PROJECT FOR WHICH IT WAS PREPARED. THIS DOCUMENT IS NOT INTENDED OR AUTHORIZED FOR REUSE BY ANY PARTY ON EXTENSIONS OF SUCH PROJECT OR ANY OTHER PROJECT ANY REUSE, INCLUDING COPYING AND/OR MODIFYING THE DOCUMENT, WITHOUT WRITTEN PERMISSION FROM EMC ENGINEERS FOR THE SPECIFIC PURPOSE INTENDED IS A VIOLATION OF FEDERAL COPYRIGHT LAW. UNAUTHORIZED USE OF THIS MATERIAL MAY RESULT IN CIVIL AND/OR CRIMINAL PENALTIES.
 COPY RIGHT 2013 EMC ENGINEERS.

Project:	UPGRADE AND REPLACE THE SANITARY SEWER SYSTEM AT THE EL PASO COUNTY DETENTION FACILITY
Location:	601 E OVERLAND STREET EL PASO, TEXAS
Job Number:	ETC-2108022
Date:	11/23/2021
Scale:	A5 SHOWN
Sheet:	P-4.02
41 of:	X



THE SEAL APPEARING ON THIS DOCUMENT WAS AUTHORIZED BY MELVIN G. GLASS, P.E. #64935 OF EMC ENGINEERS (TEXAS FIRM REG. #24991) ON JANUARY 28, 2022. ALTERATION OF A SEALED DOCUMENT WITHOUT PROPER NOTIFICATION TO THE RESPONSIBLE ENGINEER IS AN OFFENSE UNDER THE TEXAS ENGINEERING PRACTICE ACT.

LEGEND	
	UNDERGROUND PIPING
	HARD CEILINGS
	KITCHEN REFLECTED CEILING
	FURRED DOWN CHASE
	REFLECTED CEILINGS

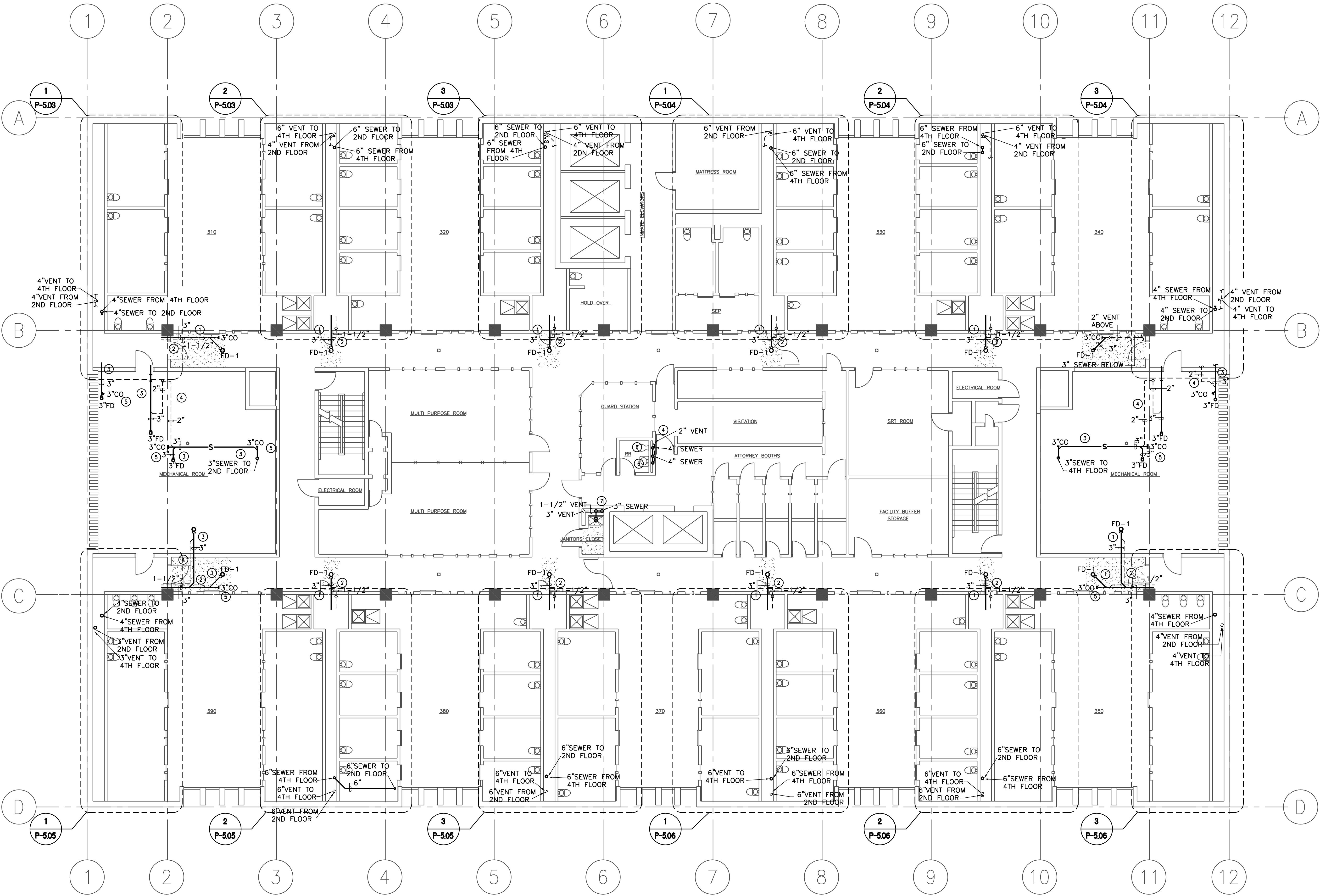
NOTE
*CEILING SHOW HATCHED TO BE REPLACED

REMODEL PLUMBING GENERAL NOTES:

1. THE INTENT IS TO REMODEL REPLACEMENT OF THE SEWER AND VENTING SYSTEMS FOR THE FACILITY. THIS FACILITY IS A 24/7 SECURED OPERATION FACILITY, SO THE CONTRACTOR SHALL COORDINATE ALL DEMOLITION AND REMODEL WORK WITH THE DETENTION PERSONNEL.

REMODEL PLUMBING KEYED NOTES:

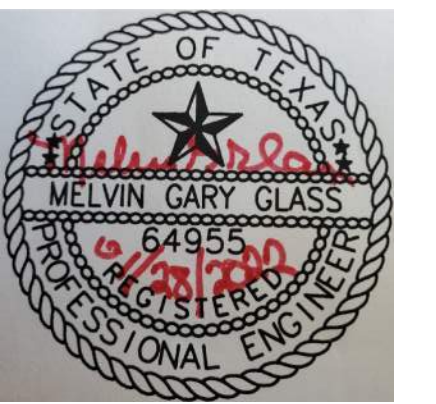
- 1 REPLACE EXISTING SEWER WITH NEW SEWER PIPING AT SIZE AS INDICATED INSTALL PIPING PER SCHEMATIC 10/P1.01.
- 2 REPLACE EXISTING VENT WITH NEW VENT PIPING AT SIZE AS INDICATED SUPPORT PIPING PER SCHEMATIC 10/P1.01.
- 3 EXISTING MECHANICAL ROOM SEWER PIPING UNDERFLOOR AND IN WALL IS TO BE REPLACED AND BE RECONNECTED TO THE NEW SEWER MAIN AS INDICATED.
- 4 EXISTING MECHANICAL ROOM VENT PIPING UNDERFLOOR AND IN WALL IS TO BE REPLACED AND BE RECONNECTED TO THE NEW VENT MAIN AS INDICATED.
- 5 PROVIDE AND INSTALL NEW INLINE CLEANOUT AT SIZE INDICATED PER SCHEMATIC 3/P1.01.
- 6 REPLACE EXISTING SEWER WITH NEW SEWER PIPING AT SIZE AS INDICATED TO THE EXISTING PLUMBING FIXTURE FLOOR PENETRATION, EXISTING PLUMBING FIXTURE AND PIPING IN THE CHASE TO REMAIN AND BE RECONNECTED TO NEW SEWER MAIN, REPLACE EXISTING VENT WITH NEW VENT PIPING AT SIZE AS INDICATED TO THE EXISTING PLUMBING FIXTURE CEILING PENETRATION, EXISTING PLUMBING FIXTURE AND PIPING IN THE CHASE TO REMAIN AND BE RECONNECTED TO NEW VENT MAIN, SUPPORT PIPING PER SCHEMATIC 12/P1.01.
- 7 EXISTING MOP SERVICE BASIN (MSB) TO BE MODIFIED REFER TO SCHEMATIC 14/P-1.01.



THIRD FLOOR PLUMBING SEWER WASTE AND VENT PIPING REMODEL FLOOR PLAN
 SCALE 1/8" = 1'-0"
 8 6 4 2 0 4 8 12 16

THIS DOCUMENT, WHETHER IN HARD COPY OR MACHINE READABLE FORMAT, IS COPYRIGHTED AND AN INSTRUMENT OF SERVICES IN RESPECT TO THE PROJECT FOR WHICH IT WAS PREPARED. THIS DOCUMENT IS NOT INTENDED OR AUTHORIZED FOR REUSE BY ANY PARTY ON EXTENSIONS OF SUCH PROJECT OR ANY OTHER PROJECT. ANY REUSE, INCLUDING COPYING AND/OR MODIFYING THE DOCUMENT, WITHOUT WRITTEN PERMISSION FROM EMC ENGINEERS FOR THE SPECIFIC PURPOSE INTENDED IS A VIOLATION OF FEDERAL COPYRIGHT LAW. UNAUTHORIZED USE OF THIS MATERIAL MAY RESULT IN CIVIL AND/OR CRIMINAL PENALTIES.
 COPY RIGHT 2013 EMC ENGINEERS.

Project:	UPGRADE AND REPLACE THE SANITARY SEWER SYSTEM AT THE EL PASO COUNTY DETENTION FACILITY
Location:	601 E OVERLAND STREET EL PASO, TEXAS
Job Number:	ETC-2108022
Date:	11/23/2021
Scale:	A5 SHOWN
Sheet:	P-4.03
42 of:	X



THE SEAL APPEARING ON THIS DOCUMENT WAS AUTHORIZED BY MELVIN G. GLASS, P.E. #64935 OF EMC ENGINEERS (TEXAS FIRM REG. #24991) ON JANUARY 28, 2022. ALTERATION OF A SEALED DOCUMENT WITHOUT PROPER NOTIFICATION TO THE RESPONSIBLE ENGINEER IS AN OFFENSE UNDER THE TEXAS ENGINEERING PRACTICE ACT.

LEGEND	
	UNDERGROUND PIPING
	HARD CEILINGS
	KITCHEN REFLECTED CEILING
	FURRED DOWN CHASE
	REFLECTED CEILINGS

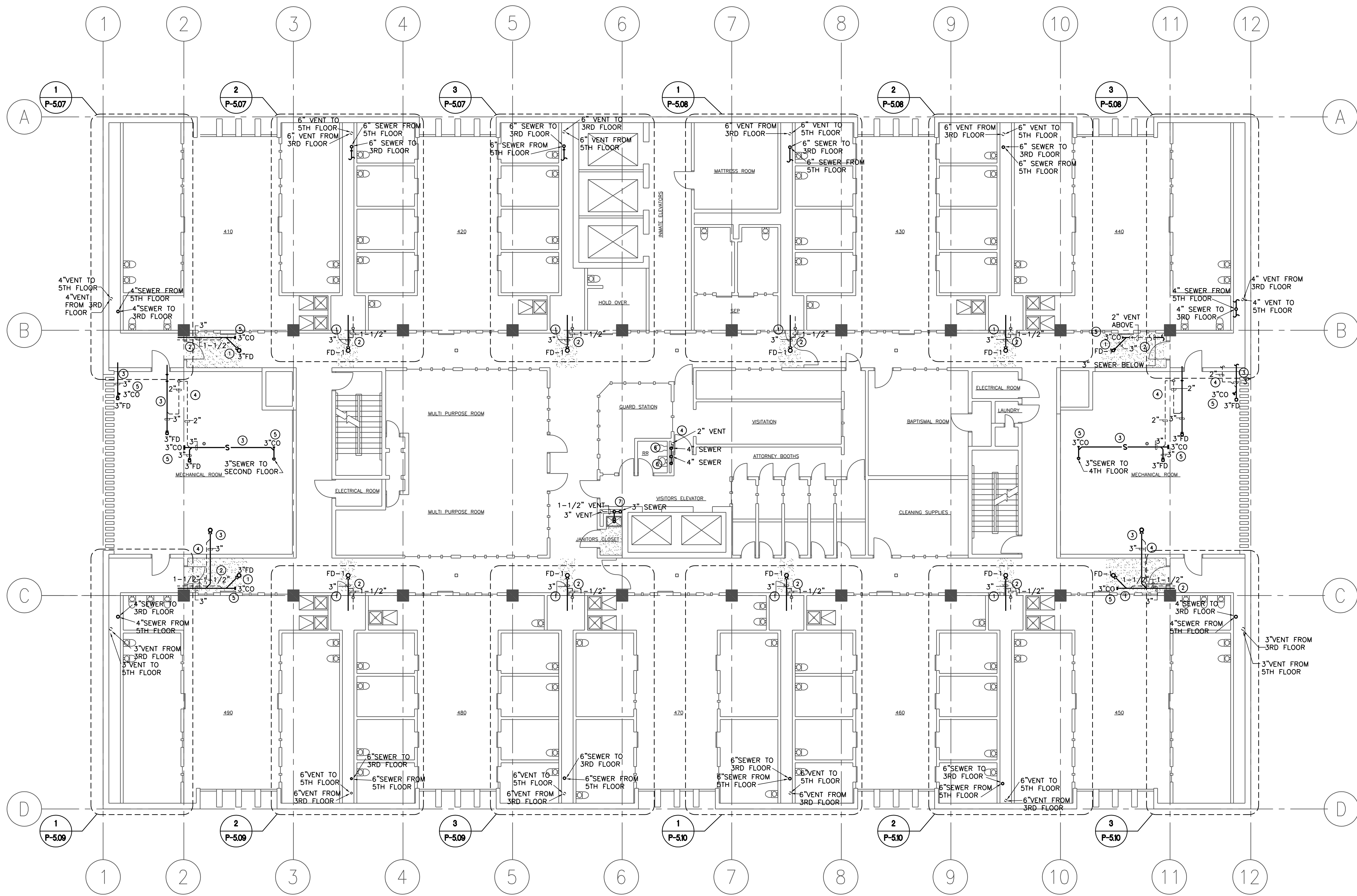
NOTE
*CEILING SHOW HACHED TO BE REPLACED

REMODEL PLUMBING GENERAL NOTES:

1. THE INTENT IS TO REMODEL REPLACEMENT OF THE SEWER AND VENTING SYSTEMS FOR THE FACILITY. THIS FACILITY IS A 24/7 SECURED OPERATION FACILITY, SO THE CONTRACTOR SHALL COORDINATE ALL DEMOLITION AND REMODEL WORK WITH THE DETENTION PERSONNEL.

REMODEL PLUMBING KEYED NOTES:

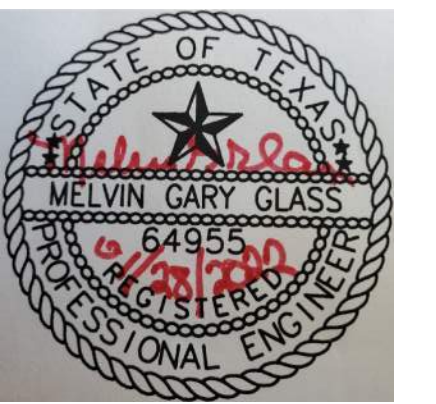
- 1 REPLACE EXISTING SEWER WITH NEW SEWER PIPING AT SIZE AS INDICATED INSTALL PIPING PER SCHEMATIC 10/P1.01.
- 2 REPLACE EXISTING VENT WITH NEW VENT PIPING AT SIZE AS INDICATED SUPPORT PIPING PER SCHEMATIC 10/P1.01.
- 3 EXISTING MECHANICAL ROOM SEWER PIPING UNDERFLOOR AND IN WALL IS TO BE REPLACED AND BE RECONNECTED TO THE NEW SEWER MAIN AS INDICATED.
- 4 EXISTING MECHANICAL ROOM SEWER PIPING UNDERFLOOR AND IN WALL IS TO BE REPLACED AND BE RECONNECTED TO THE NEW VENT MAIN AS INDICATED.
- 5 PROVIDE AND INSTALL NEW INLINE CLEANOUT AT SIZE INDICATED PER SCHEMATIC 3/P1.01.
- 6 REPLACE EXISTING SEWER WITH NEW SEWER PIPING AT SIZE AS INDICATED TO THE EXISTING PLUMBING FIXTURE FLOOR PENETRATION. EXISTING PLUMBING FIXTURE AND PIPING IN THE CHASE TO REMAIN AND BE RECONNECTED TO NEW SEWER MAIN. REPLACE EXISTING VENT WITH NEW VENT PIPING AT SIZE AS INDICATED TO THE EXISTING PLUMBING FIXTURE CEILING PENETRATION. EXISTING PLUMBING FIXTURE AND PIPING IN THE CHASE TO REMAIN AND BE RECONNECTED TO NEW VENT MAIN. SUPPORT PIPING PER SCHEMATIC 12/P1.01.
- 7 EXISTING MOP SERVICE BASIN (MSB) TO BE MODIFIED REFER TO SCHEMATIC 14/P-1.01.



FOURTH FLOOR PLUMBING SEWER WASTE AND VENT PIPING REMODEL FLOOR PLAN
 SCALE 1/8" = 1'-0"
 1 P-404

THIS DOCUMENT, WHETHER IN HARD COPY OR MACHINE READABLE FORMAT, IS COPYRIGHTED AND AN INSTRUMENT OF SERVICES IN RESPECT TO THE PROJECT FOR WHICH IT WAS PREPARED. THIS DOCUMENT IS NOT INTENDED OR AUTHORIZED FOR REUSE BY ANY PARTY ON EXTENSIONS OF SUCH PROJECT OR ANY OTHER PROJECT. ANY REUSE, INCLUDING COPYING AND/OR MODIFYING THE DOCUMENT, WITHOUT WRITTEN PERMISSION FROM EMC ENGINEERS FOR THE SPECIFIC PURPOSE INTENDED IS A VIOLATION OF FEDERAL COPYRIGHT LAW. UNAUTHORIZED USE OF THIS MATERIAL MAY RESULT IN CIVIL AND/OR CRIMINAL PENALTIES.
 COPY RIGHT 2013 EMC ENGINEERS.

Project:	UPGRADE AND REPLACE THE SANITARY SEWER SYSTEM AT THE EL PASO COUNTY DETENTION FACILITY
Location:	601 E OVERLAND STREET EL PASO, TEXAS
Job Number:	ETC-2108022
Date:	11/23/2021
Scale:	AS SHOWN
Sheet:	P-4.04
43 of:	X



THE SEAL APPEARING ON THIS DOCUMENT WAS AUTHORIZED BY MELVIN G. GLASS, P.E. #64935 OF EMC ENGINEERS (TEAMS FIRM REG. #24991) ON JANUARY 28, 2022. ANY ALTERATION OF A SEALED DOCUMENT WITHOUT PROPER NOTIFICATION TO THE RESPONSIBLE ENGINEER IS AN OFFENSE UNDER THE TEXAS ENGINEERING PRACTICE ACT.

LEGEND	
	UNDERGROUND PIPING
	HARD CEILINGS
	KITCHEN REFLECTED CEILING
	FURRED DOWN CHASE
	REFLECTED CEILINGS

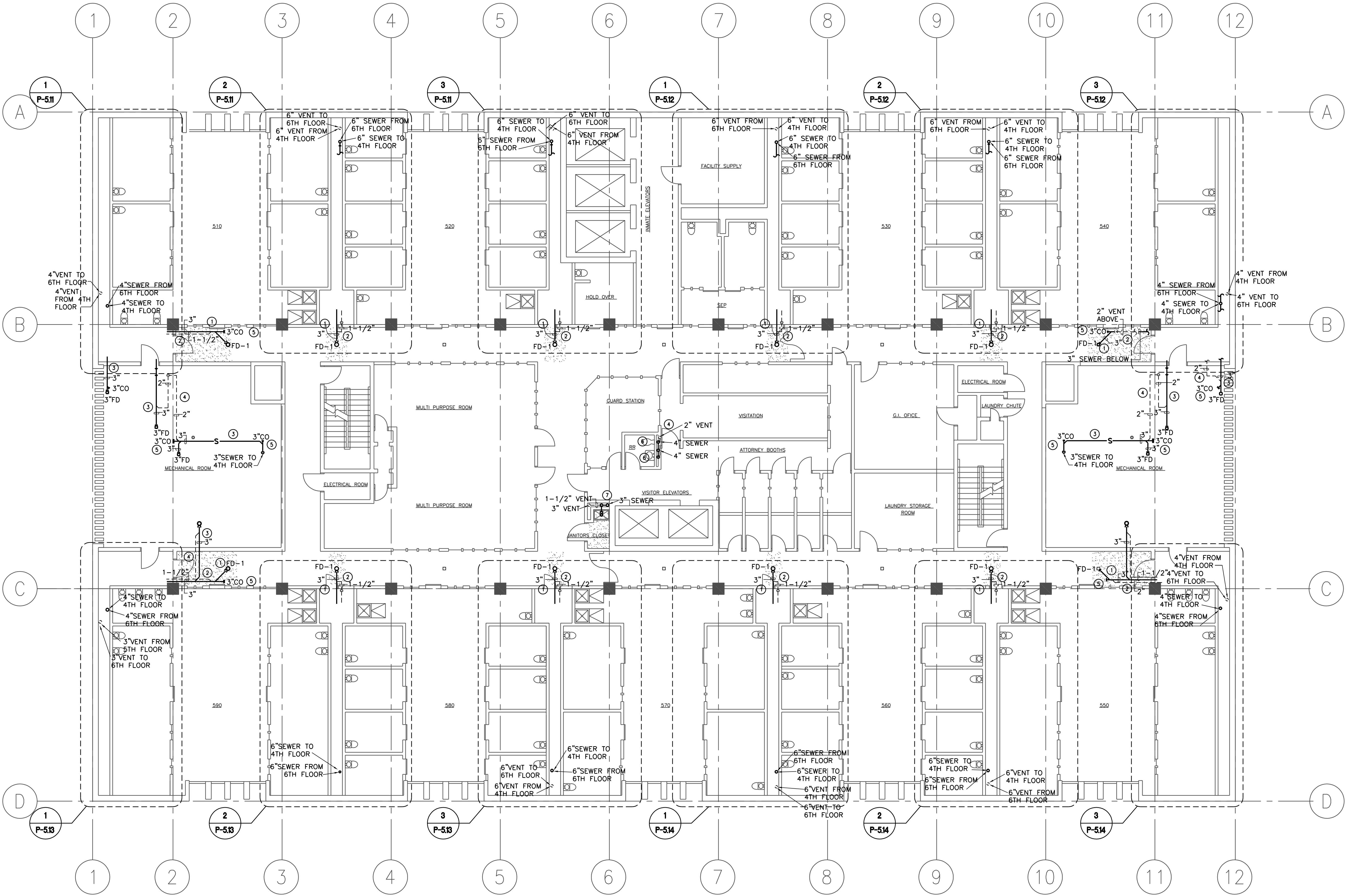
NOTE
*CEILING SHOW HACHED TO BE REPLACED

REMODEL PLUMBING GENERAL NOTES:

1. THE INTENT IS TO REMODEL REPLACEMENT OF THE SEWER AND VENTING SYSTEMS FOR THE FACILITY. THIS FACILITY IS A 24/7 SECURED OPERATION FACILITY, SO THE CONTRACTOR SHALL COORDINATE ALL DEMOLITION AND REMODEL WORK WITH THE DETENTION PERSONNEL.

REMODEL PLUMBING KEYED NOTES:

- 1 REPLACE EXISTING SEWER WITH NEW SEWER PIPING AT SIZE AS INDICATED INSTALL PIPING PER SCHEMATIC 10/P1.01.
- 2 REPLACE EXISTING VENT WITH NEW VENT PIPING AT SIZE AS INDICATED SUPPORT PIPING PER SCHEMATIC 10/P1.01.
- 3 EXISTING MECHANICAL ROOM SEWER PIPING UNDERFLOOR AND IN WALL IS TO BE REPLACED AND BE RECONNECTED TO THE NEW SEWER MAIN AS INDICATED.
- 4 EXISTING MECHANICAL ROOM VENT PIPING UNDERFLOOR AND IN WALL IS TO BE REPLACED AND BE RECONNECTED TO THE NEW VENT MAIN AS INDICATED.
- 5 PROVIDE AND INSTALL NEW INLINE CLEANOUT AT SIZE INDICATED PER SCHEMATIC 3/P1.01.
- 6 REPLACE EXISTING SEWER WITH NEW SEWER PIPING AT SIZE AS INDICATED TO THE EXISTING PLUMBING FIXTURE FLOOR PENETRATION, EXISTING PLUMBING FIXTURE AND PIPING IN THE CHASE TO REMAIN AND BE RECONNECTED TO NEW SEWER MAIN. REPLACE EXISTING VENT WITH NEW VENT PIPING AT SIZE AS INDICATED TO THE EXISTING PLUMBING FIXTURE CEILING PENETRATION, EXISTING PLUMBING FIXTURE AND PIPING IN THE CHASE TO REMAIN AND BE RECONNECTED TO NEW VENT MAIN. SUPPORT PIPING PER SCHEMATIC 12/P1.01.
- 7 EXISTING MOP SERVICE BASIN (MSB) TO BE MODIFIED REFER TO SCHEMATIC 14/P-1.01.



FIFTH FLOOR PLUMBING SEWER WASTE AND VENT PIPING REMODEL FLOOR PLAN
 1 P-405 SCALE 1/8" = 1'-0"
 8 6 4 2 0 4 8 12 16

THIS DOCUMENT, WHETHER IN HARD COPY OR MACHINE READABLE FORMAT, IS COPYRIGHTED AND AN INSTRUMENT OF SERVICES IN RESPECT TO THE PROJECT FOR WHICH IT WAS PREPARED. THIS DOCUMENT IS NOT INTENDED OR AUTHORIZED FOR REUSE BY ANY PARTY ON EXTENSIONS OF SUCH PROJECT OR ANY OTHER PROJECT. ANY REUSE, INCLUDING COPYING AND/OR MODIFYING THIS DOCUMENT, WITHOUT WRITTEN PERMISSION FROM EMC ENGINEERS FOR THE SPECIFIC PURPOSE INTENDED IS A VIOLATION OF FEDERAL COPYRIGHT LAW. UNAUTHORIZED USE OF THIS MATERIAL MAY RESULT IN CIVIL AND/OR CRIMINAL PENALTIES.
 COPY RIGHT 2013 EMC ENGINEERS.

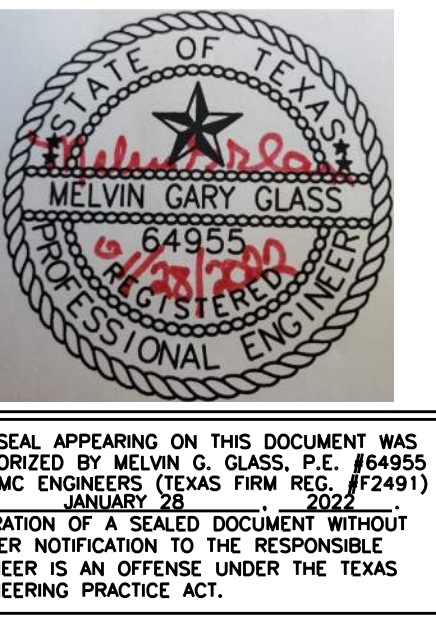
Project:	UPGRADE AND REPLACE THE SANITARY SEWER SYSTEM AT THE EL PASO COUNTY DETENTION FACILITY
Location:	601 E OVERLAND STREET EL PASO, TEXAS
Job Number:	ETC-2108022
Date:	11/23/2021
Scale:	AS SHOWN
Sheet:	P-4.05
44 of:	X

Rev.#	Date	Initial	Description
1			ETC
2			ETC
3			ETC

DESIGNED BY: ETC
 DRAWN BY: ETC
 CHECKED BY: ETC



EMC ENGINEERS
 2311 E. BUSINESS AVENUE SUITE 100
 EL PASO, TEXAS 79901
 TEL: 915-781-2000
 TEXAS REG. NO. 64935
 EMC PROJECT #2108022



THE SEAL APPEARING ON THIS DOCUMENT WAS AUTHORIZED BY MELVIN G. GLASS, P.E. #64935 OF EMC ENGINEERS (TEXAS FIRM REG. #24991) ON JANUARY 28, 2022. ANY ALTERATION OF A SEALED DOCUMENT WITHOUT PROPER NOTIFICATION TO THE RESPONSIBLE ENGINEER IS AN OFFENSE UNDER THE TEXAS ENGINEERING PRACTICE ACT.

LEGEND	
	UNDERGROUND PIPING
	HARD CEILINGS
	KITCHEN REFLECTED CEILING
	FURRED DOWN CHASE
	REFLECTED CEILINGS

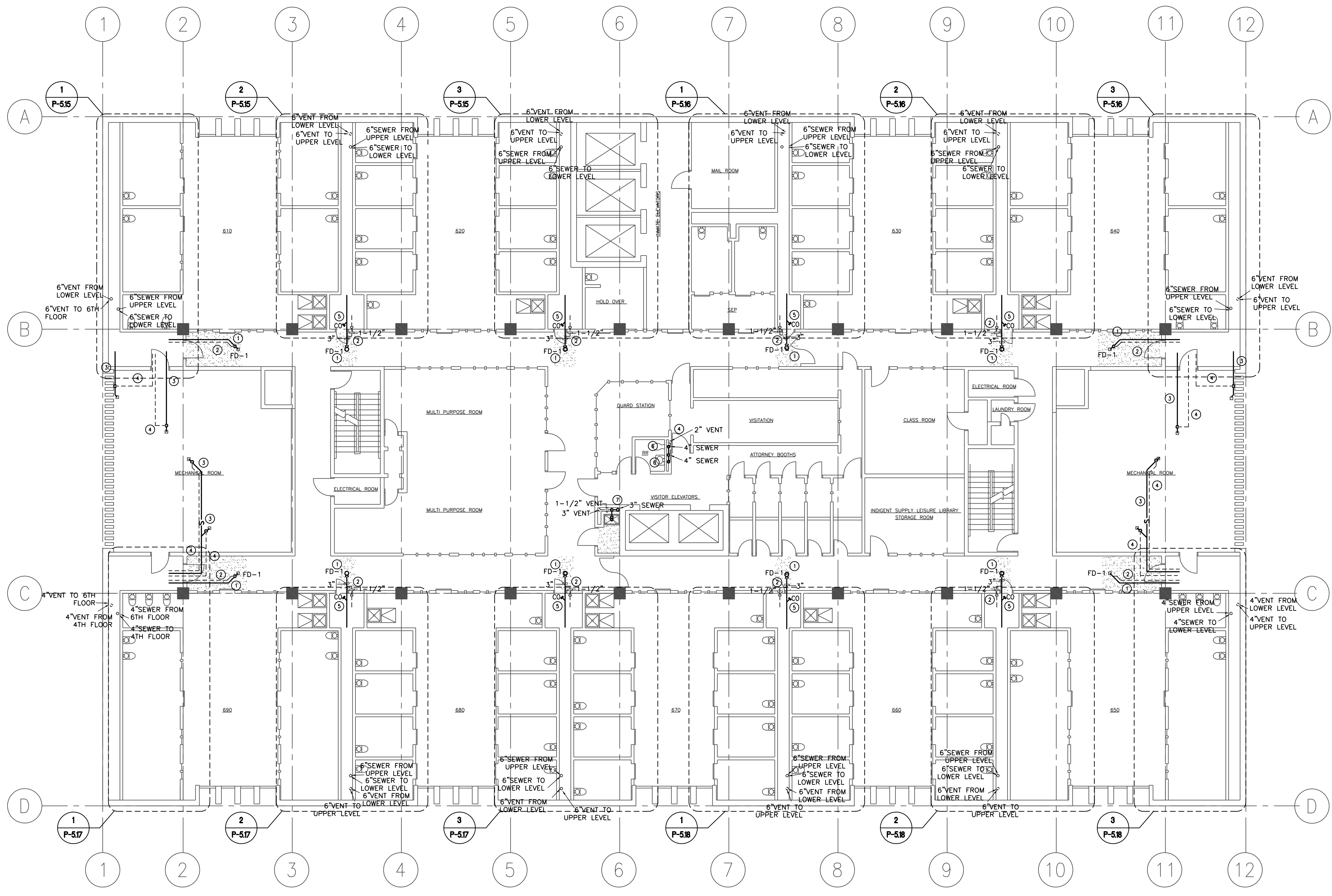
NOTE
*CEILING SHOW HACHED TO BE REPLACED

REMODEL PLUMBING GENERAL NOTES:

1. THE INTENT IS TO REMODEL REPLACEMENT OF THE SEWER AND VENTING SYSTEMS FOR THE FACILITY. THIS FACILITY IS A 24/7 SECURED OPERATION FACILITY, SO THE CONTRACTOR SHALL COORDINATE ALL DEMOLITION AND REMODEL WORK WITH THE DETENTION PERSONNEL.

REMODEL PLUMBING KEYED NOTES:

- 1 REPLACE EXISTING SEWER WITH NEW SEWER PIPING AT SIZE AS INDICATED INSTALL PIPING PER SCHEMATIC 10/P1.01.
- 2 REPLACE EXISTING VENT WITH NEW VENT PIPING AT SIZE AS INDICATED SUPPORT PIPING PER SCHEMATIC 10/P1.01.
- 3 EXISTING MECHANICAL ROOM SEWER PIPING UNDERFLOOR AND IN WALL IS TO BE REPLACED AND BE RECONNECTED TO THE NEW SEWER MAIN AS INDICATED.
- 4 EXISTING MECHANICAL ROOM VENT PIPING UNDERFLOOR AND IN WALL IS TO BE REPLACED AND BE RECONNECTED TO THE NEW VENT MAIN AS INDICATED.
- 5 PROVIDE AND INSTALL NEW INLINE CLEANOUT AT SIZE INDICATED PER SCHEMATIC 3/P1.01.
- 6 REPLACE EXISTING SEWER WITH NEW SEWER PIPING AT SIZE AS INDICATED TO THE EXISTING PLUMBING FIXTURE FLOOR PENETRATION, EXISTING PLUMBING FIXTURE AND PIPING IN THE CHASE TO REMAIN AND BE RECONNECTED TO NEW SEWER MAIN. REPLACE EXISTING VENT WITH NEW VENT PIPING AT SIZE AS INDICATED TO THE EXISTING PLUMBING FIXTURE CEILING PENETRATION, EXISTING PLUMBING FIXTURE AND PIPING IN THE CHASE TO REMAIN AND BE RECONNECTED TO NEW VENT MAIN. SUPPORT PIPING PER SCHEMATIC 12/P1.01.
- 7 EXISTING MOP SERVICE BASIN (MSB) TO BE MODIFIED REFER TO SCHEMATIC 14/P-1.01.

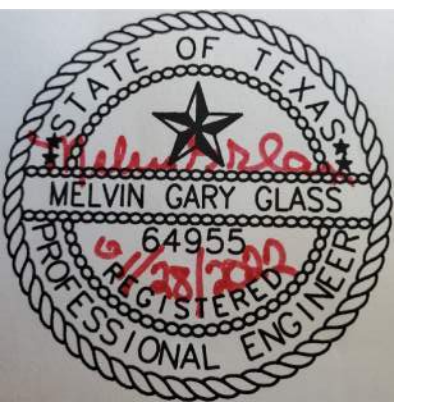


SIXTH FLOOR PLUMBING SEWER WASTE AND VENT PIPING REMODEL FLOOR PLAN
 SCALE 1/8" = 1'-0"
 8 6 4 2 0 4 8 12 16

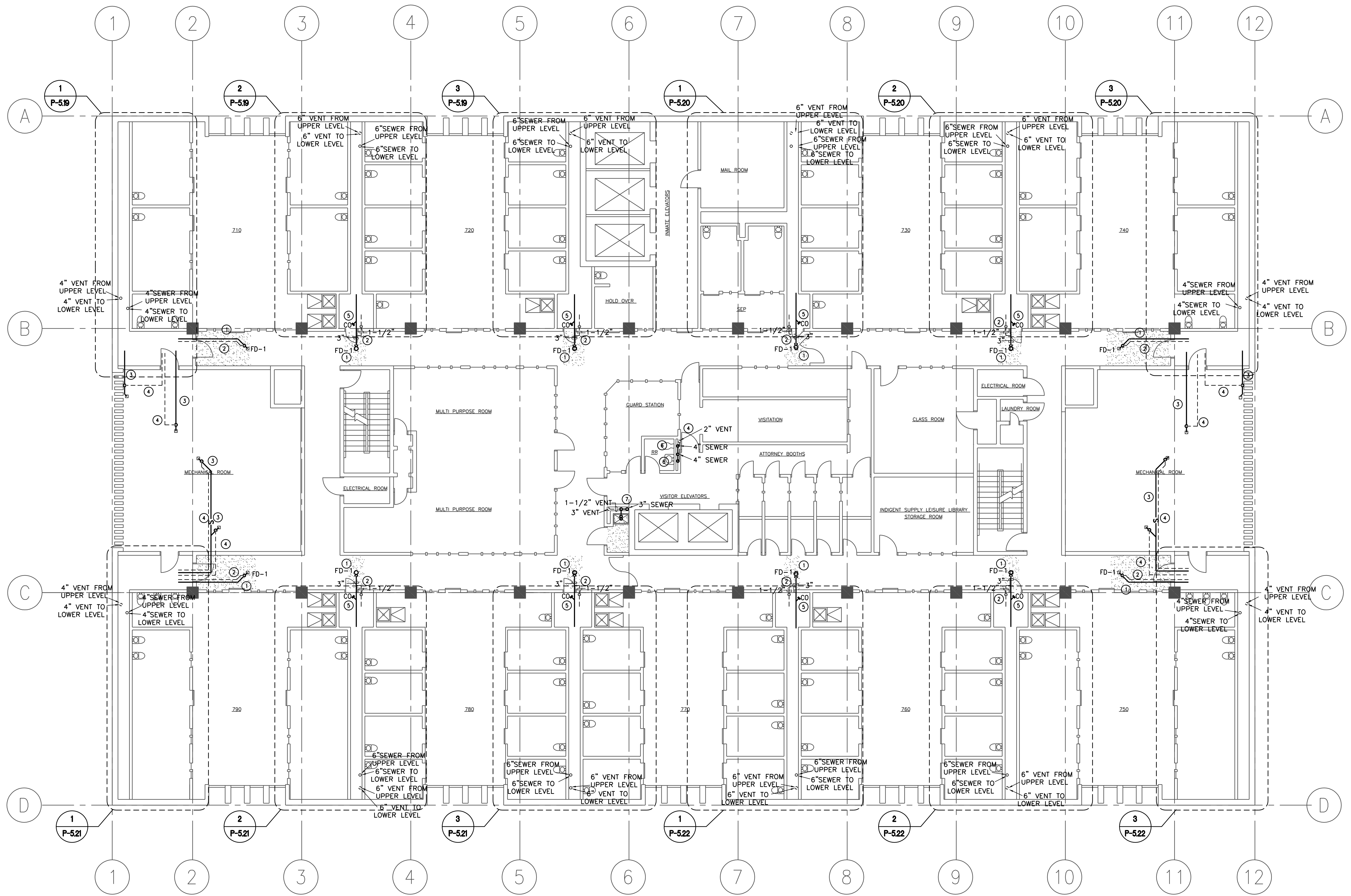
THIS DOCUMENT, WHETHER IN HARD COPY OR MACHINE READABLE FORMAT, IS COPYRIGHTED AND AN INSTRUMENT OF SERVICES IN RESPECT TO THE PROJECT FOR WHICH IT WAS PREPARED. THIS DOCUMENT IS NOT INTENDED OR AUTHORIZED FOR REUSE BY ANY PARTY ON EXTENSIONS OF SUCH PROJECT OR ANY OTHER PROJECT. ANY REUSE, INCLUDING COPYING AND/OR MODIFYING THE DOCUMENT, WITHOUT WRITTEN PERMISSION FROM EMC ENGINEERS FOR THE SPECIFIC PURPOSE INTENDED IS A VIOLATION OF FEDERAL COPYRIGHT LAW. UNAUTHORIZED USE OF THIS MATERIAL MAY RESULT IN CIVIL AND/OR CRIMINAL PENALTIES.
 COPY RIGHT 2013 EMC ENGINEERS.

Project:	UPGRADE AND REPLACE THE SANITARY SEWER SYSTEM AT THE EL PASO COUNTY DETENTION FACILITY
Location:	601 E OVERLAND STREET EL PASO, TEXAS
Job Number:	ETC-2108022
Date:	11/23/2021
Scale:	A5 SHOWN
Sheet:	P-4.06
45 of:	X

EMC ENGINEERS
 2311 E. BUSINESS AVENUE SUITE 300
 EL PASO, TEXAS 79901
 TEL: 915-781-2030
 TEXAS FIRM REG. #4301
 EMC PROJECT #2108022



THE SEAL APPEARING ON THIS DOCUMENT WAS AUTHORIZED BY MELVIN G. GLASS, P.E. #64935 OF EMC ENGINEERS (TEXAS FIRM REG. #24991) ON JANUARY 28, 2022. ALTERATION OF A SEALED DOCUMENT WITHOUT PROPER NOTIFICATION TO THE RESPONSIBLE ENGINEER IS AN OFFENSE UNDER THE TEXAS ENGINEERING PRACTICE ACT.



LEGEND

- UNDERGROUND PIPING
- HARD CEILINGS
- KITCHEN REFLECTED CEILING
- FURRED DOWN CHASE
- REFLECTED CEILINGS

NOTE
*CEILING SHOW HACHED TO BE REPLACED

REMODEL PLUMBING GENERAL NOTES:

1. THE INTENT IS TO REMODEL REPLACEMENT OF THE SEWER AND VENTING SYSTEMS FOR THE FACILITY. THIS FACILITY IS A 24/7 SECURED OPERATION FACILITY, SO THE CONTRACTOR SHALL COORDINATE ALL DEMOLITION AND REMODEL WORK WITH THE DETENTION PERSONNEL.

REMODEL PLUMBING KEYED NOTES:

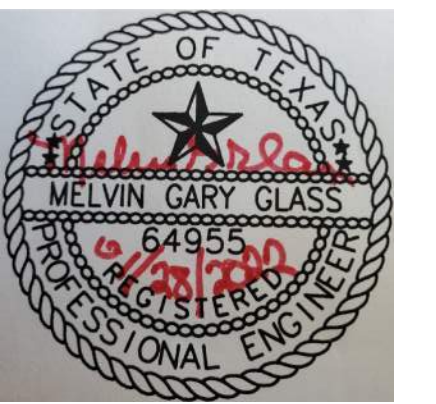
- ① REPLACE EXISTING SEWER WITH NEW SEWER PIPING AT SIZE AS INDICATED INSTALL PIPING PER SCHEMATIC 10/P1.01.
- ② REPLACE EXISTING VENT WITH NEW VENT PIPING AT SIZE AS INDICATED SUPPORT PIPING PER SCHEMATIC 10/P1.01.
- ③ EXISTING MECHANICAL ROOM SEWER PIPING UNDERFLOOR AND IN WALL IS TO BE REPLACED AND BE RECONNECTED TO THE NEW SEWER MAIN AS INDICATED.
- ④ EXISTING MECHANICAL ROOM VENT PIPING UNDERFLOOR AND IN WALL IS TO BE REPLACED AND BE RECONNECTED TO THE NEW VENT MAIN AS INDICATED.
- ⑤ PROVIDE AND INSTALL NEW INLINE CLEANOUT AT SIZE INDICATED PER SCHEMATIC 3/P1.01.
- ⑥ REPLACE EXISTING SEWER WITH NEW SEWER PIPING AT SIZE AS INDICATED TO THE EXISTING PLUMBING FIXTURE FLOOR PENETRATION, EXISTING PLUMBING FIXTURE AND PIPING IN THE CHASE TO REMAIN AND BE RECONNECTED TO NEW SEWER MAIN. REPLACE EXISTING VENT WITH NEW VENT PIPING AT SIZE AS INDICATED TO THE EXISTING PLUMBING FIXTURE CEILING PENETRATION, EXISTING PLUMBING FIXTURE AND PIPING IN THE CHASE TO REMAIN AND BE RECONNECTED TO NEW VENT MAIN. SUPPORT PIPING PER SCHEMATIC 12/P1.01.
- ⑦ EXISTING MOP SERVICE BASIN (MSB) TO BE MODIFIED REFER TO SCHEMATIC 14/P-1.01.

SEVENTH FLOOR PLUMBING SEWER WASTE AND VENT PIPING REMODEL FLOOR PLAN
 1 P-407 SCALE 1/8" = 1'-0"
 8 6 4 2 0 4 8 12 16

THIS DOCUMENT, WHETHER IN HARD COPY OR MACHINE READABLE FORMAT, IS COPYRIGHTED AND AN INSTRUMENT OF SERVICES IN RESPECT TO THE PROJECT FOR WHICH IT WAS PREPARED. THIS DOCUMENT IS NOT INTENDED OR AUTHORIZED FOR REUSE BY ANY PARTY ON EXTENSIONS OF SUCH PROJECT OR ANY OTHER PROJECT. ANY REUSE, INCLUDING COPYING AND/OR MODIFYING THE DOCUMENT, WITHOUT WRITTEN PERMISSION FROM EMC ENGINEERS FOR THE SPECIFIC PURPOSE INTENDED IS A VIOLATION OF FEDERAL COPYRIGHT LAW. UNAUTHORIZED USE OF THIS MATERIAL MAY RESULT IN CIVIL AND/OR CRIMINAL PENALTIES.
 COPY RIGHT 2013 EMC ENGINEERS.

Project:	UPGRADE AND REPLACE THE SANITARY SEWER SYSTEM AT THE EL PASO COUNTY DETENTION FACILITY
Location:	601 E OVERLAND STREET EL PASO, TEXAS
Job Number:	ETC-2108022
Date:	11/23/2021
Scale:	AS SHOWN
Sheet:	P-4.07
46 of:	X

Project Description: ETC ETC ETC
 Drawn By: ETC ETC ETC
 Checked By: ETC ETC ETC
 EMC ENGINEERS
 2311 E. BUSINESS AVENUE SUITE 1000
 EL PASO, TEXAS 79901
 TEL: 915-781-2030
 TEXAS FIRM REG. #4301
 EMC PROJECT #2108022



THE SEAL APPEARING ON THIS DOCUMENT WAS AUTHORIZED BY MELVIN G. GLASS, P.E. #64935 OF EMC ENGINEERS (TEXAS FIRM REG. #24991) ON JANUARY 28, 2022. ALTERATION OF A SEALED DOCUMENT WITHOUT PROPER NOTIFICATION TO THE RESPONSIBLE ENGINEER IS AN OFFENSE UNDER THE TEXAS ENGINEERING PRACTICE ACT.

LEGEND	
	UNDERGROUND PIPING
	HARD CEILINGS
	KITCHEN REFLECTED CEILING
	FURRED DOWN CHASE
	REFLECTED CEILINGS

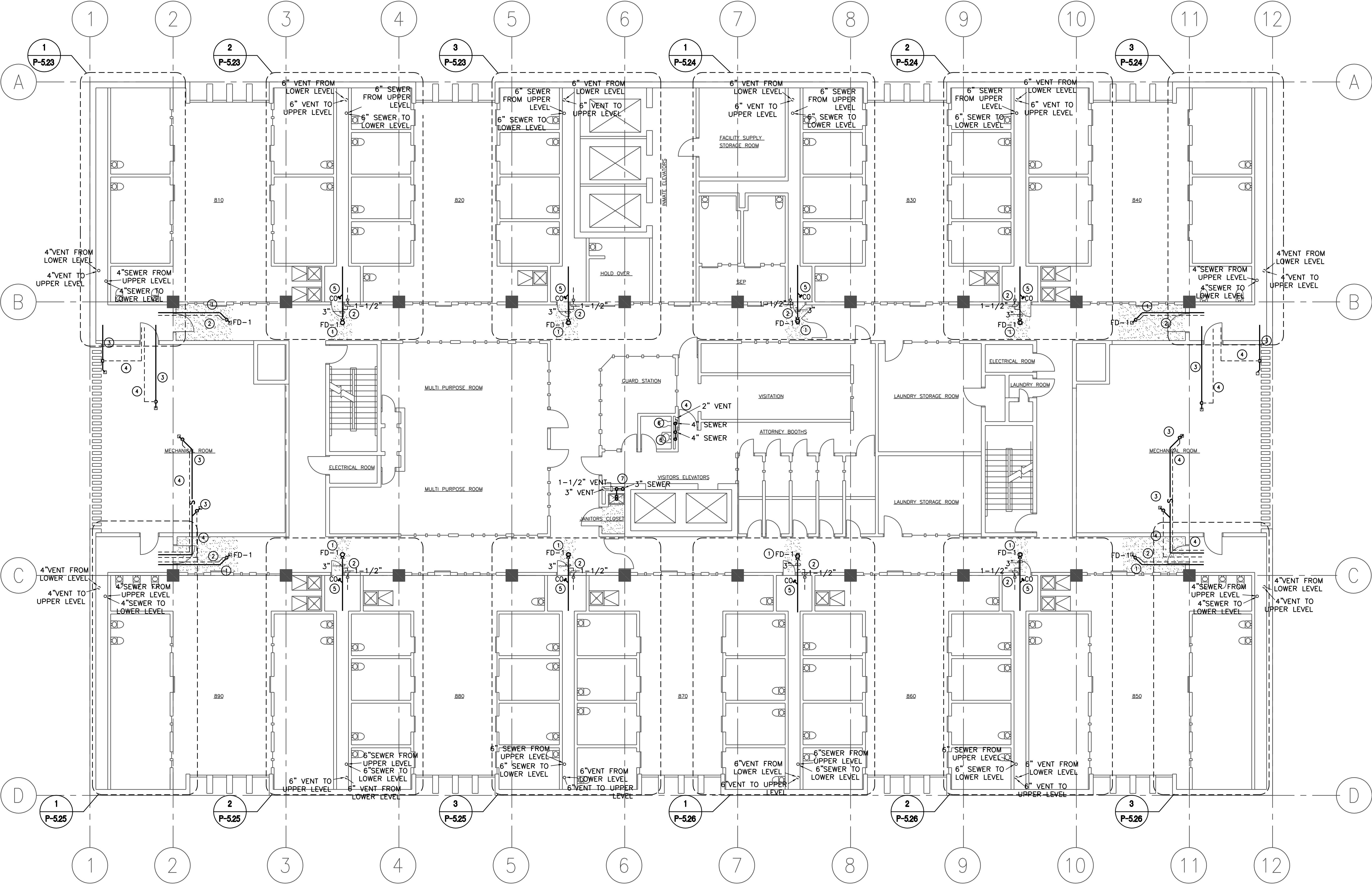
NOTE
*CEILING SHOW HACHED TO BE REPLACED

REMODEL PLUMBING GENERAL NOTES:

1. THE INTENT IS TO REMODEL REPLACEMENT OF THE SEWER AND VENTING SYSTEMS FOR THE FACILITY. THIS FACILITY IS A 24/7 SECURED OPERATION FACILITY, SO THE CONTRACTOR SHALL COORDINATE ALL DEMOLITION AND REMODEL WORK WITH THE DETENTION PERSONNEL.

REMODEL PLUMBING KEYED NOTES:

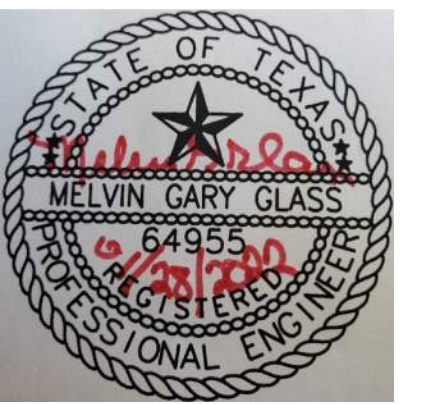
- 1 REPLACE EXISTING SEWER WITH NEW SEWER PIPING AT SIZE AS INDICATED INSTALL PIPING PER SCHEMATIC 10/P1.01.
- 2 REPLACE EXISTING VENT WITH NEW VENT PIPING AT SIZE AS INDICATED SUPPORT PIPING PER SCHEMATIC 10/P1.01.
- 3 EXISTING MECHANICAL ROOM SEWER PIPING UNDERFLOOR AND IN WALL IS TO BE REPLACED AND BE RECONNECTED TO THE NEW SEWER MAIN AS INDICATED.
- 4 EXISTING MECHANICAL ROOM VENT PIPING UNDERFLOOR AND IN WALL IS TO BE REPLACED AND BE RECONNECTED TO THE NEW VENT MAIN AS INDICATED.
- 5 PROVIDE AND INSTALL NEW INLINE CLEANOUT AT SIZE INDICATED PER SCHEMATIC 3/P1.01.
- 6 REPLACE EXISTING SEWER WITH NEW SEWER PIPING AT SIZE AS INDICATED TO THE EXISTING PLUMBING FIXTURE FLOOR PENETRATION, EXISTING PLUMBING FIXTURE AND PIPING IN THE CHASE TO REMAIN AND BE RECONNECTED TO NEW SEWER MAIN, REPLACE EXISTING VENT WITH NEW VENT PIPING AT SIZE AS INDICATED TO THE EXISTING PLUMBING FIXTURE CEILING PENETRATION, EXISTING PLUMBING FIXTURE AND PIPING IN THE CHASE TO REMAIN AND BE RECONNECTED TO NEW VENT MAIN, SUPPORT PIPING PER SCHEMATIC 12/P1.01.
- 7 EXISTING MOP SERVICE BASIN (MSB) TO BE MODIFIED REFER TO SCHEMATIC 14/P-1.01.



EIGHTH FLOOR PLUMBING SEWER WASTE AND VENT PIPING REMODEL FLOOR PLAN
 SCALE 1/8" = 1'-0"
 8 6 4 2 0 4 8 12 16

THIS DOCUMENT, WHETHER IN HARD COPY OR MACHINE READABLE FORMAT, IS COPYRIGHTED AND AN INSTRUMENT OF SERVICES IN RESPECT TO THE PROJECT FOR WHICH IT WAS PREPARED. THIS DOCUMENT IS NOT INTENDED OR AUTHORIZED FOR REUSE BY ANY PARTY ON EXTENSIONS OF SUCH PROJECT OR ANY OTHER PROJECT. ANY REUSE, INCLUDING COPYING AND/OR MODIFYING THE DOCUMENT, WITHOUT WRITTEN PERMISSION FROM EMC ENGINEERS FOR THE SPECIFIC PURPOSE INTENDED IS A VIOLATION OF FEDERAL COPYRIGHT LAW. UNAUTHORIZED USE OF THIS MATERIAL MAY RESULT IN CIVIL AND/OR CRIMINAL PENALTIES.
 COPY RIGHT 2013 EMC ENGINEERS.

Project:	UPGRADE AND REPLACE THE SANITARY SEWER SYSTEM AT THE EL PASO COUNTY DETENTION FACILITY
Location:	601 E OVERLAND STREET EL PASO, TEXAS
Job Number:	ETC-2108022
Date:	11/23/2021
Scale:	AS SHOWN
Sheet:	P-4.08
47 of:	X



THE SEAL APPEARING ON THIS DOCUMENT WAS AUTHORIZED BY MELVIN G. GLASS, P.E. #64935 OF EMC ENGINEERS (TEXAS FIRM REG. #2491) ON JANUARY 28, 2022. ANY ALTERATION OF A SEALED DOCUMENT WITHOUT PROPER NOTIFICATION TO THE RESPONSIBLE ENGINEER IS AN OFFENSE UNDER THE TEXAS ENGINEERING PRACTICE ACT.

LEGEND	
	UNDERGROUND PIPING
	HARD CEILINGS
	KITCHEN REFLECTED CEILING
	FURRED DOWN CHASE
	REFLECTED CEILINGS

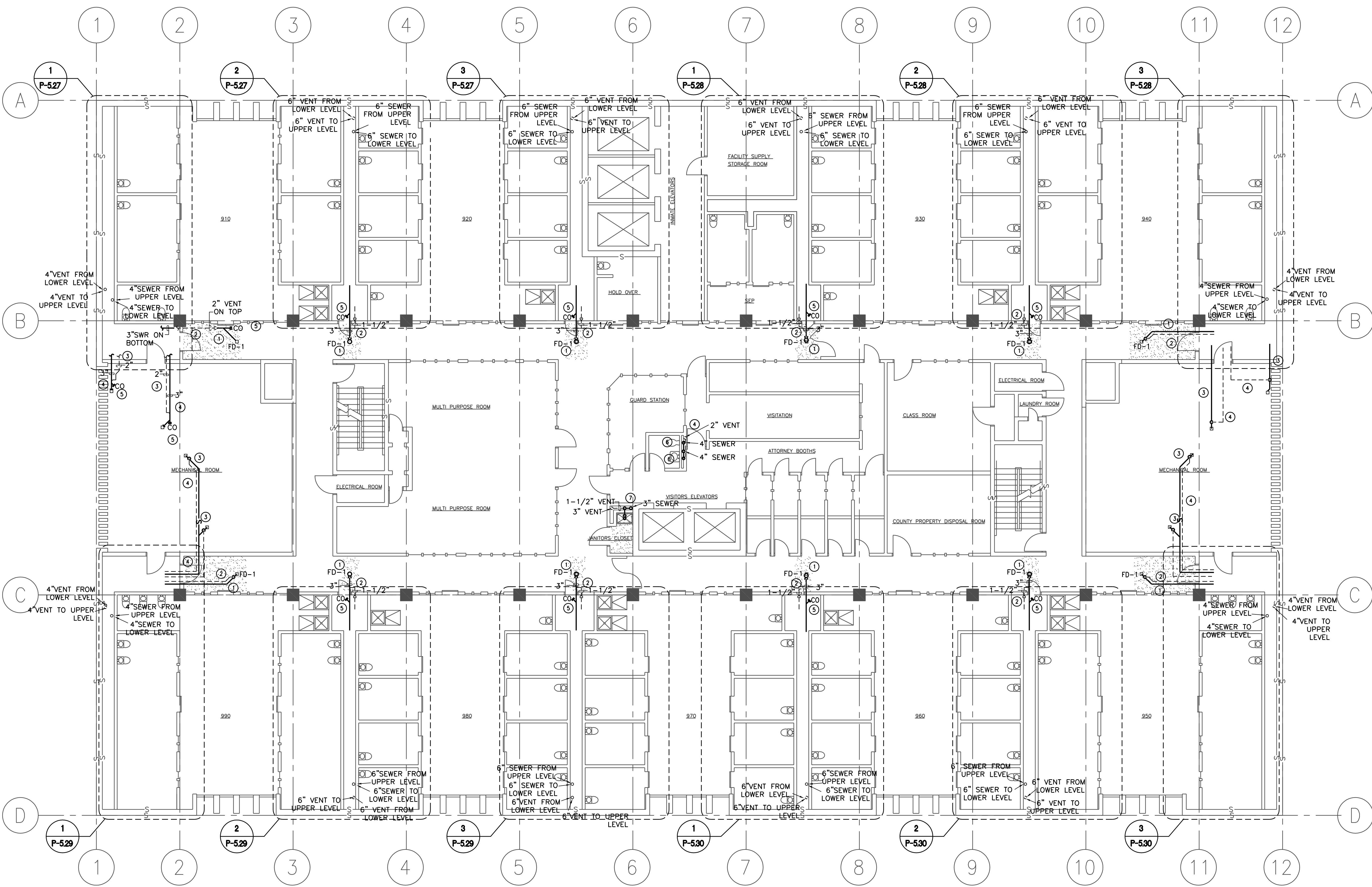
NOTE
*CEILING SHOW HATCHED TO BE REPLACED

REMODEL PLUMBING GENERAL NOTES:

1. THE INTENT IS TO REMODEL REPLACEMENT OF THE SEWER AND VENTING SYSTEMS FOR THE FACILITY. THIS FACILITY IS A 24/7 SECURED OPERATION FACILITY, SO THE CONTRACTOR SHALL COORDINATE ALL DEMOLITION AND REMODEL WORK WITH THE DETENTION PERSONNEL.

REMODEL PLUMBING KEYED NOTES:

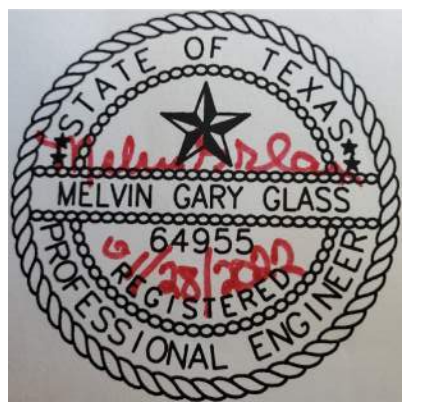
- 1 REPLACE EXISTING SEWER WITH NEW SEWER PIPING AT SIZE AS INDICATED INSTALL PIPING PER SCHEMATIC 10/P1.01.
- 2 REPLACE EXISTING VENT WITH NEW VENT PIPING AT SIZE AS INDICATED SUPPORT PIPING PER SCHEMATIC 10/P1.01.
- 3 EXISTING MECHANICAL ROOM SEWER PIPING UNDERFLOOR AND IN WALL IS TO BE REPLACED AND BE RECONNECTED TO THE NEW SEWER MAIN AS INDICATED.
- 4 EXISTING MECHANICAL ROOM VENT PIPING UNDERFLOOR AND IN WALL IS TO BE REPLACED AND BE RECONNECTED TO THE NEW VENT MAIN AS INDICATED.
- 5 PROVIDE AND INSTALL NEW INLINE CLEANOUT AT SIZE INDICATED PER SCHEMATIC 3/P1.01.
- 6 REPLACE EXISTING SEWER WITH NEW SEWER PIPING AT SIZE AS INDICATED TO THE EXISTING PLUMBING FIXTURE FLOOR PENETRATION, EXISTING PLUMBING FIXTURE AND PIPING IN THE CHASE TO REMAIN AND BE RECONNECTED TO NEW SEWER MAIN. REPLACE EXISTING VENT WITH NEW VENT PIPING AT SIZE AS INDICATED TO THE EXISTING PLUMBING FIXTURE CEILING PENETRATION, EXISTING PLUMBING FIXTURE AND PIPING IN THE CHASE TO REMAIN AND BE RECONNECTED TO NEW VENT MAIN. SUPPORT PIPING PER SCHEMATIC 12/P1.01.
- 7 EXISTING MOP SERVICE BASIN (MSB) TO BE MODIFIED REFER TO SCHEMATIC 14/P-1.01.



NINTH FLOOR PLUMBING SEWER WASTE AND VENT PIPING REMODEL FLOOR PLAN
 1 P-408 SCALE 1/8" = 1'-0"
 8 6 4 2 0 4 8 12 16

THIS DOCUMENT, WHETHER IN HARD COPY OR MACHINE READABLE FORMAT, IS COPYRIGHTED AND AN INSTRUMENT OF SERVICES IN RESPECT TO THE PROJECT FOR WHICH IT WAS PREPARED. THIS DOCUMENT IS NOT INTENDED OR AUTHORIZED FOR REUSE BY ANY PARTY ON EXTENSIONS OF SUCH PROJECT OR ANY OTHER PROJECT. ANY REUSE, INCLUDING COPYING AND/OR MODIFYING THE DOCUMENT, WITHOUT WRITTEN PERMISSION FROM EMC ENGINEERS FOR THE SPECIFIC PURPOSE INTENDED IS A VIOLATION OF FEDERAL COPYRIGHT LAW. UNAUTHORIZED USE OF THIS MATERIAL MAY RESULT IN CIVIL AND/OR CRIMINAL PENALTIES.
 COPY RIGHT 2013 EMC ENGINEERS.

Project:	UPGRADE AND REPLACE THE SANITARY SEWER SYSTEM AT THE EL PASO COUNTY DETENTION FACILITY
Location:	601 E OVERLAND STREET EL PASO, TEXAS
Job Number:	ETC-2108022
Date:	11/23/2021
Scale:	A5 SHOWN
Sheet:	P-4.09
48 of:	X



THE SEAL APPEARING ON THIS DOCUMENT WAS AUTHORIZED BY MELVIN G. GLASS, P.E. #64935 OF EMC ENGINEERS (TEXAS FIRM REG. #2491) ON JANUARY 28, 2022. ALTERATION OF A SEALED DOCUMENT WITHOUT PROPER NOTIFICATION TO THE RESPONSIBLE ENGINEER IS AN OFFENSE UNDER THE TEXAS ENGINEERING PRACTICE ACT.

LEGEND

- UNDERGROUND PIPING
- HARD CEILINGS
- KITCHEN REFLECTED CEILING
- FURRED DOWN CHASE
- REFLECTED CEILINGS

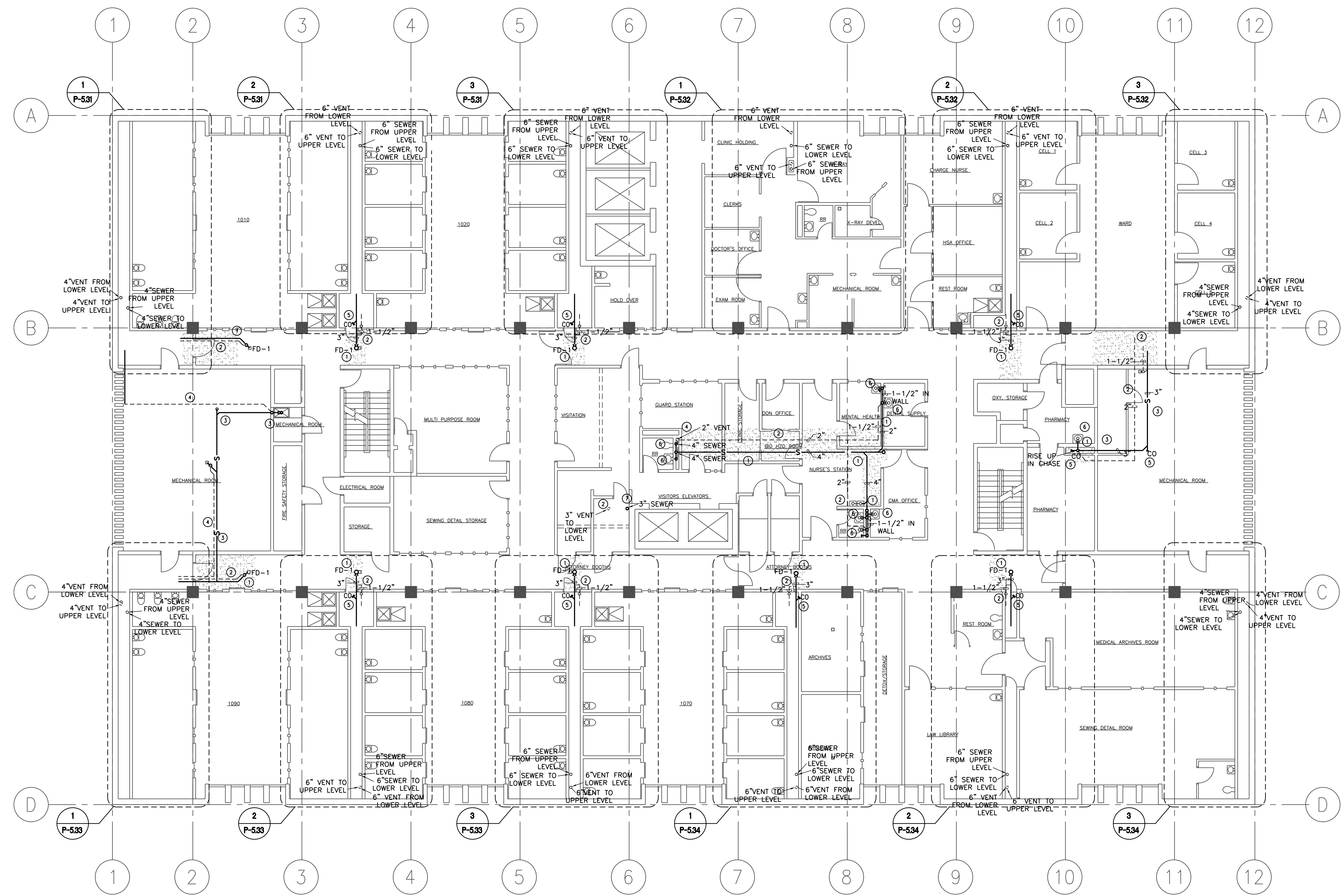
NOTE
*CEILING SHOW HACHED TO BE REPLACED

REMODEL PLUMBING GENERAL NOTES:

1. THE INTENT IS TO REMODEL REPLACEMENT OF THE SEWER AND VENTING SYSTEMS FOR THE FACILITY. THIS FACILITY IS A 24/7 SECURED OPERATION FACILITY, SO THE CONTRACTOR SHALL COORDINATE ALL DEMOLITION AND REMODEL WORK WITH THE DETENTION PERSONNEL.

REMODEL PLUMBING KEYED NOTES: ①

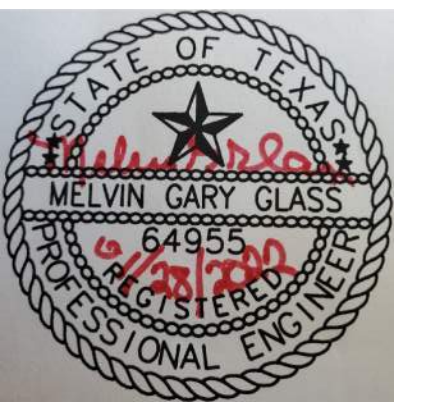
- ① REPLACE EXISTING SEWER WITH NEW SEWER PIPING AT SIZE AS INDICATED INSTALL PIPING PER SCHEMATIC 10/P1.01.
- ② REPLACE EXISTING VENT WITH NEW VENT PIPING AT SIZE AS INDICATED SUPPORT PIPING PER SCHEMATIC 10/P1.01.
- ③ EXISTING MECHANICAL ROOM SEWER PIPING UNDERFLOOR AND IN WALL IS TO BE REPLACED AND BE RECONNECTED TO THE NEW SEWER MAIN AS INDICATED.
- ④ EXISTING MECHANICAL ROOM SEWER PIPING UNDERFLOOR AND IN WALL IS TO BE REPLACED AND BE RECONNECTED TO THE NEW VENT MAIN AS INDICATED.
- ⑤ PROVIDE AND INSTALL NEW INLINE CLEANOUT AT SIZE INDICATED PER SCHEMATIC 3/P1.01.
- ⑥ REPLACE EXISTING SEWER WITH NEW SEWER PIPING AT SIZE AS INDICATED TO THE EXISTING PLUMBING FIXTURE FLOOR PENETRATION, EXISTING PLUMBING FIXTURE AND PIPING IN THE CHASE TO REMAIN AND BE RECONNECTED TO NEW SEWER MAIN. REPLACE EXISTING VENT WITH NEW VENT PIPING AT SIZE AS INDICATED TO THE EXISTING PLUMBING FIXTURE CEILING PENETRATION, EXISTING PLUMBING FIXTURE AND PIPING IN THE CHASE TO REMAIN AND BE RECONNECTED TO NEW VENT MAIN. SUPPORT PIPING PER SCHEMATIC 12/P1.01.
- ⑦ EXISTING MOP SERVICE BASIN (MSB) TO BE MODIFIED REFER TO SCHEMATIC 14/P-1.01.



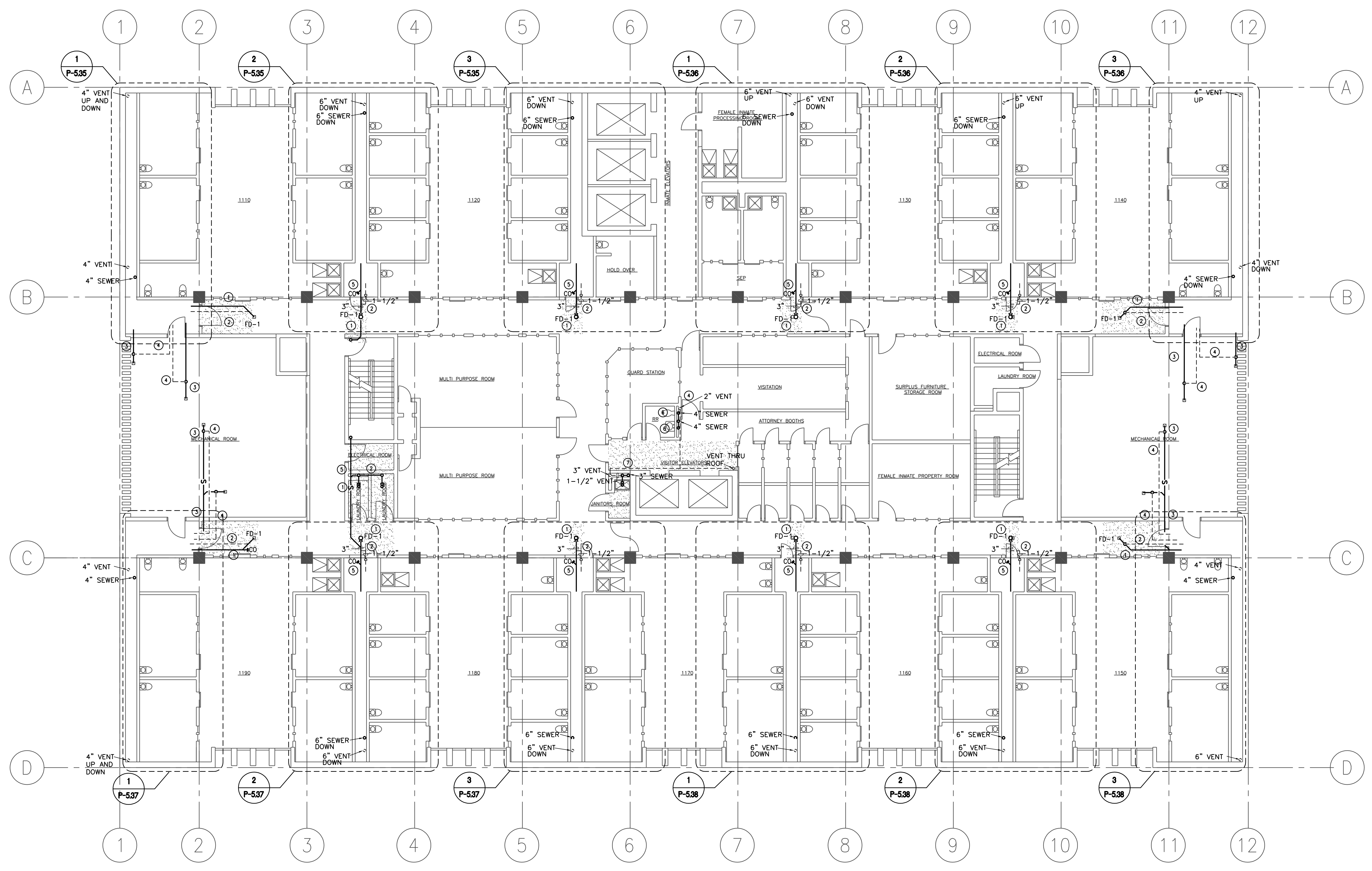
TENTH FLOOR PLUMBING SEWER WASTE AND VENT PIPING REMODEL FLOOR PLAN
 SCALE 1/8" = 1'-0"
 8 6 4 2 0 4 8 12 16

THIS DOCUMENT, WHETHER IN HARD COPY OR MACHINE READABLE FORMAT, IS COPYRIGHTED AND AN INSTRUMENT OF SERVICES IN RESPECT TO THE PROJECT FOR WHICH IT WAS PREPARED. THIS DOCUMENT IS NOT INTENDED OR AUTHORIZED FOR REUSE BY ANY PARTY ON EXTENSIONS OF SUCH PROJECT OR ANY OTHER PROJECT. ANY REUSE, INCLUDING COPYING AND/OR MODIFYING THE DOCUMENT, WITHOUT WRITTEN PERMISSION FROM EMC ENGINEERS FOR THE SPECIFIC PURPOSE INTENDED IS A VIOLATION OF FEDERAL COPYRIGHT LAW. UNAUTHORIZED USE OF THIS MATERIAL MAY RESULT IN CIVIL AND/OR CRIMINAL PENALTIES.
 COPY RIGHT 2013 EMC ENGINEERS.

Project:	UPGRADE AND REPLACE THE SANITARY SEWER SYSTEM AT THE EL PASO COUNTY DETENTION FACILITY
Location:	601 E OVERLAND STREET EL PASO, TEXAS
Job Number:	ETC-2108022
Date:	11/23/2021
Scale:	A5 SHOWN
Sheet:	P-4.10
49 of:	X



THE SEAL APPEARING ON THIS DOCUMENT WAS AUTHORIZED BY MELVIN G. GLASS, P.E. #64935 OF EMC ENGINEERS (TEXAS FIRM REG. #24991) ON JANUARY 28, 2022. ANY ALTERATION OF A SEALED DOCUMENT WITHOUT PROPER NOTIFICATION TO THE RESPONSIBLE ENGINEER IS AN OFFENSE UNDER THE TEXAS ENGINEERING PRACTICE ACT.



LEGEND

- UNDERGROUND PIPING
- HARD CEILINGS
- KITCHEN REFLECTED CEILING
- FURRED DOWN CHASE
- REFLECTED CEILINGS

NOTE
*CEILING SHOW HACHED TO BE REPLACED

REMODEL PLUMBING GENERAL NOTES:

1. THE INTENT IS TO REMODEL REPLACEMENT OF THE SEWER AND VENTING SYSTEMS FOR THE FACILITY. THIS FACILITY IS A 24/7 SECURED OPERATION FACILITY, SO THE CONTRACTOR SHALL COORDINATE ALL DEMOLITION AND REMODEL WORK WITH THE DETENTION PERSONNEL.

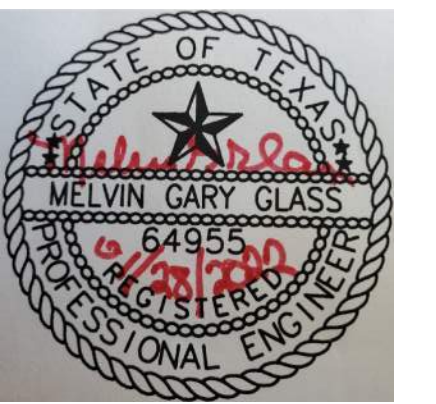
REMODEL PLUMBING KEYED NOTES:

- 1 REPLACE EXISTING SEWER WITH NEW SEWER PIPING AT SIZE AS INDICATED INSTALL PIPING PER SCHEMATIC 10/P1.01.
- 2 REPLACE EXISTING VENT WITH NEW VENT PIPING AT SIZE AS INDICATED SUPPORT PIPING PER SCHEMATIC 10/P1.01.
- 3 EXISTING MECHANICAL ROOM SEWER PIPING UNDERFLOOR AND IN WALL IS TO BE REPLACED AND BE RECONNECTED TO THE NEW SEWER MAIN AS INDICATED.
- 4 EXISTING MECHANICAL ROOM SEWER PIPING UNDERFLOOR AND IN WALL IS TO BE REPLACED AND BE RECONNECTED TO THE NEW VENT MAIN AS INDICATED.
- 5 PROVIDE AND INSTALL NEW INLINE CLEANOUT AT SIZE INDICATED PER SCHEMATIC 3/P1.01.
- 6 REPLACE EXISTING SEWER WITH NEW SEWER PIPING AT SIZE AS INDICATED TO THE EXISTING PLUMBING FIXTURE FLOOR PENETRATION, EXISTING PLUMBING FIXTURE AND PIPING IN THE CHASE TO REMAIN AND BE RECONNECTED TO NEW SEWER MAIN, REPLACE EXISTING VENT WITH NEW VENT PIPING AT SIZE AS INDICATED TO THE EXISTING PLUMBING FIXTURE CEILING PENETRATION, EXISTING PLUMBING FIXTURE AND PIPING IN THE CHASE TO REMAIN AND BE RECONNECTED TO NEW VENT MAIN, SUPPORT PIPING PER SCHEMATIC 12/P1.01.
- 7 EXISTING MOP SERVICE BASIN (MSB) TO BE MODIFIED REFER TO SCHEMATIC 14/P-1.01.

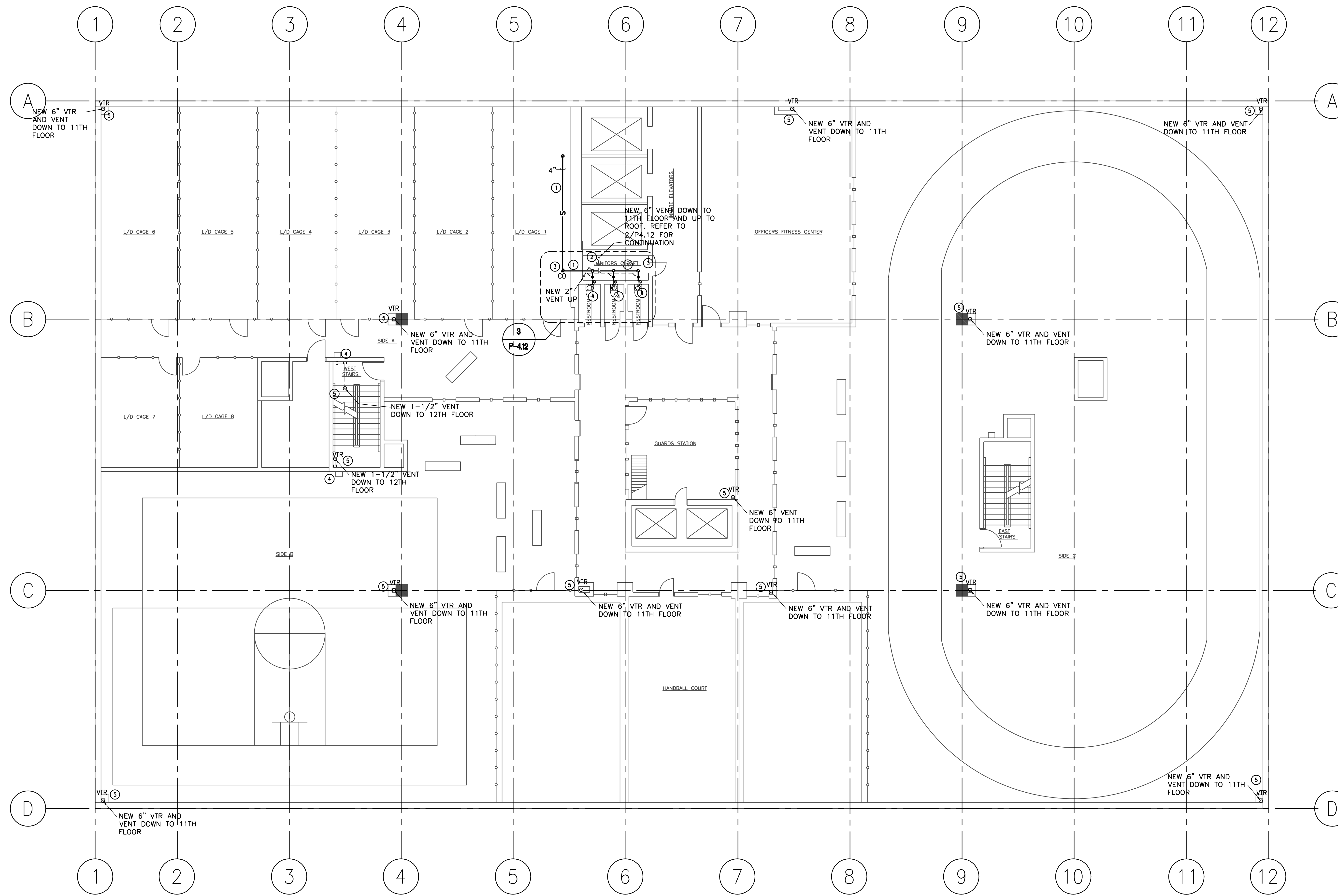
ELEVENTH FLOOR PLUMBING SEWER WASTE AND VENT PIPING REMODEL FLOOR PLAN
 SCALE 1/8" = 1'-0"
 8 6 4 2 0 4 8 12 16

THIS DOCUMENT, WHETHER IN HARD COPY OR MACHINE READABLE FORMAT, IS COPYRIGHTED AND AN INSTRUMENT OF SERVICES IN RESPECT TO THE PROJECT FOR WHICH IT WAS PREPARED. THIS DOCUMENT IS NOT INTENDED OR AUTHORIZED FOR REUSE BY ANY PARTY ON EXTENSIONS OF SUCH PROJECT OR ANY OTHER PROJECT ANY REUSE, INCLUDING COPYING AND/OR MODIFYING THE DOCUMENT, WITHOUT WRITTEN PERMISSION FROM EMC ENGINEERS FOR THE SPECIFIC PURPOSE INTENDED IS A VIOLATION OF FEDERAL COPYRIGHT LAW. UNAUTHORIZED USE OF THIS MATERIAL MAY RESULT IN CIVIL AND/OR CRIMINAL PENALTIES.
 COPY RIGHT 2013 EMC ENGINEERS.

Project:	UPGRADE AND REPLACE THE SANITARY SEWER SYSTEM AT THE EL PASO COUNTY DETENTION FACILITY
Location:	601 E OVERLAND STREET EL PASO, TEXAS
Job Number:	ETC-2108022
Date:	11/23/2021
Scale:	AS SHOWN
Sheet	P-4.11
50 of: X	



THE SEAL APPEARING ON THIS DOCUMENT WAS AUTHORIZED BY MELVIN G. GLASS, P.E. #64935 OF EMC ENGINEERS (TEXAS FIRM REG. #2491) ON JANUARY 25, 2022. ANY ALTERATION OF A SEALED DOCUMENT WITHOUT PROPER NOTIFICATION TO THE RESPONSIBLE ENGINEER IS AN OFFENSE UNDER THE TEXAS ENGINEERING PRACTICE ACT.



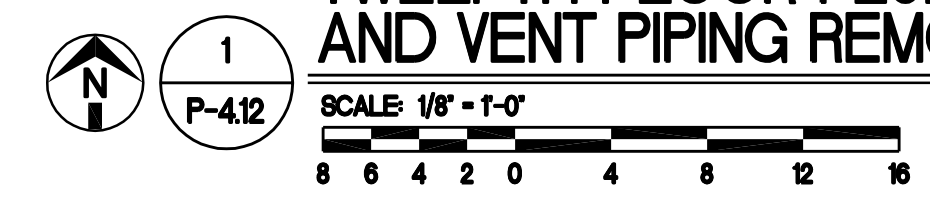
REMODEL PLUMBING GENERAL NOTES:

1. THE INTENT IS TO REMODEL REPLACEMENT OF THE SEWER AND VENTING SYSTEMS FOR THE FACILITY. THIS FACILITY IS A 24/7 SECURED OPERATION FACILITY, SO THE CONTRACTOR SHALL COORDINATE ALL DEMOLITION AND REMODEL WORK WITH THE DETENTION PERSONNEL.

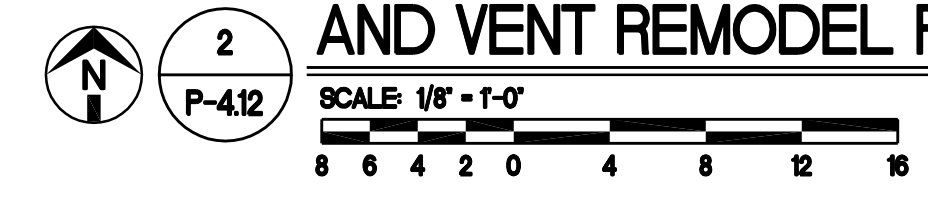
REMODEL PLUMBING KEYED NOTES:

- 1 REPLACE EXISTING SEWER WITH NEW SEWER PIPING AT SIZE AS INDICATED INSTALL PIPING PER SCHEMATIC 10/P1.01.
- 2 REPLACE EXISTING VENT WITH NEW VENT PIPING AT SIZE AS INDICATED SUPPORT PIPING PER SCHEMATIC 10/P1.01.
- 3 EXISTING SEWER PIPING IS TO REMAIN AND BE RECONNECTED TO THE NEW SEWER MAIN AS INDICATED.
- 4 EXISTING VENT PIPING UNDERFLOOR AND IN WALL IS TO REMAIN AND BE RECONNECTED TO THE NEW VENT MAIN AS INDICATED.
- 5 PROVIDE AND INSTALL NEWVENT THRU ROOF (VTR) AT SIZE INDICATED PER SCHEMATIC 6/P1.01.
- 6 REPLACE EXISTING SEWER WITH NEW SEWER PIPING AT SIZE AS INDICATED TO THE EXISTING PLUMBING FIXTURE FLOOR PENETRATION, EXISTING PLUMBING FIXTURE AND PIPING IN THE CHASE TO REMAIN AND BE RECONNECTED TO NEW SEWER MAIN. REPLACE EXISTING VENT WITH NEW VENT PIPING AT SIZE AS INDICATED TO THE EXISTING PLUMBING FIXTURE CEILING PENETRATION. EXISTING PLUMBING FIXTURE AND PIPING IN THE CHASE TO REMAIN AND BE RECONNECTED TO NEW VENT MAIN. SUPPORT PIPING PER SCHEMATIC 12/P1.01.

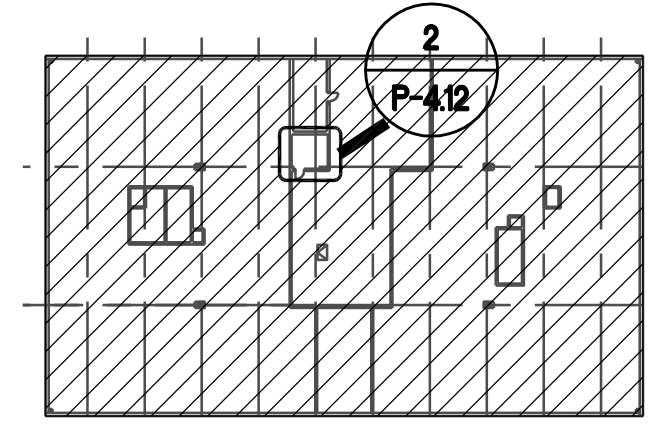
TWELFTH FLOOR PLUMBING SEWER WASTE AND VENT PIPING REMODEL FLOOR PLAN



ENLARGED PARTIAL ROOF PLUMBING SEWER WASTE AND VENT REMODEL FLOOR PLAN



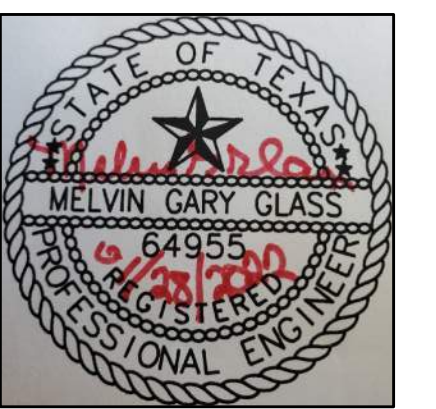
SEWER WASTE AND VENT PIPING ISOMETRIC



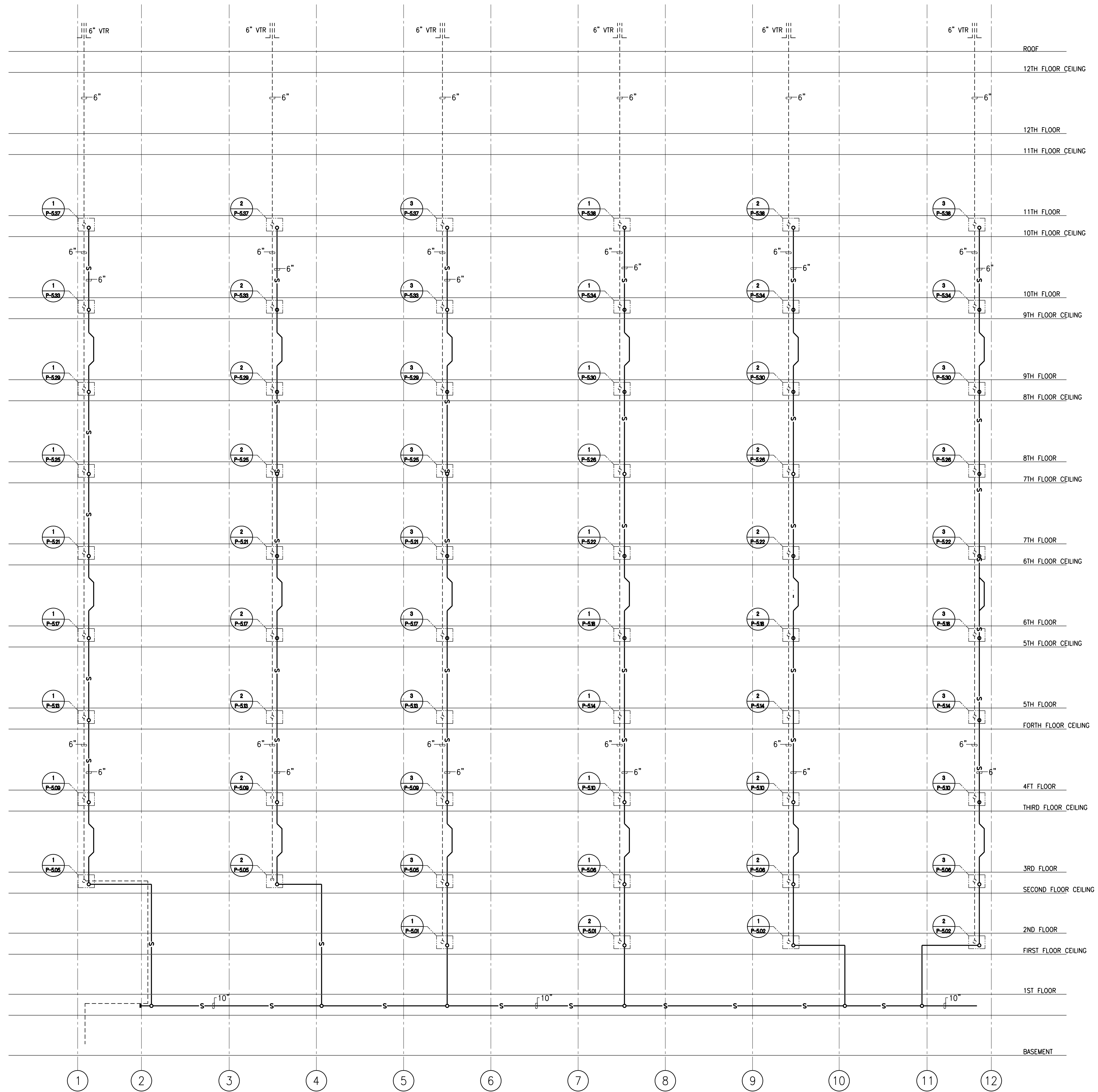
ROOF KEY PLAN
SCALE: NONE

THIS DOCUMENT, WHETHER IN HARD COPY OR MACHINE READABLE FORMAT, IS COPYRIGHTED AND AN INSTRUMENT OF SERVICES IN RESPECT TO THE PROJECT FOR WHICH IT WAS PREPARED. THIS DOCUMENT IS NOT INTENDED OR AUTHORIZED FOR REUSE BY ANY PARTY ON EXTENSIONS OF SUCH PROJECT OR ANY OTHER PROJECT. ANY REUSE, INCLUDING COPYING AND/OR MODIFYING THE DOCUMENT, WITHOUT WRITTEN PERMISSION FROM EMC ENGINEERS FOR THE SPECIFIC PURPOSE INTENDED IS A VIOLATION OF FEDERAL COPYRIGHT LAW. UNAUTHORIZED USE OF THIS MATERIAL MAY RESULT IN CIVIL AND/OR CRIMINAL PENALTIES.
COPY RIGHT 2013 EMC ENGINEERS.

Project:	UPGRADE AND REPLACE THE SANITARY SEWER SYSTEM AT THE EL PASO COUNTY DETENTION FACILITY
Location:	601 E OVERLAND STREET EL PASO, TEXAS
Job Number:	EMC-2108022
Date:	11/23/2021
Scale:	AS SHOWN
Sheet:	P-4.12
51 of:	X



THE SEAL APPEARING ON THIS DOCUMENT WAS AUTHORIZED BY MELVIN G. GLASS, P.E. #64935 OF EMC ENGINEERS (TEXAS FIRM REG. #24991) ON JANUARY 28, 2022. ALTERATION OF A SEALED DOCUMENT WITHOUT PROPER NOTIFICATION TO THE RESPONSIBLE ENGINEER IS AN OFFENSE UNDER THE TEXAS ENGINEERING PRACTICE ACT.



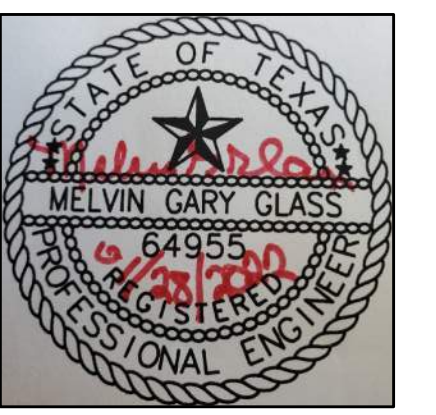
1 SOUTH RISER ELEVATION
SCALE: NOT TO SCALE

THIS DOCUMENT, WHETHER IN HARD COPY OR MACHINE READABLE FORMAT, IS COPYRIGHTED AND AN INSTRUMENT OF SERVICES IN RESPECT TO THE PROJECT FOR WHICH IT WAS PREPARED. THIS DOCUMENT IS NOT INTENDED OR AUTHORIZED FOR REUSE BY ANY PARTY ON EXTENSIONS OF SUCH PROJECT OR ANY OTHER PROJECT. ANY REUSE, INCLUDING COPYING AND/OR MODIFYING THE DOCUMENT, WITHOUT WRITTEN PERMISSION FROM EMC ENGINEERS FOR THE SPECIFIC PURPOSE INTENDED IS A VIOLATION OF FEDERAL COPYRIGHT LAW. UNAUTHORIZED USE OF THIS MATERIAL MAY RESULT IN CIVIL AND/OR CRIMINAL PENALTIES.
COPY RIGHT 2013 EMC ENGINEERS.

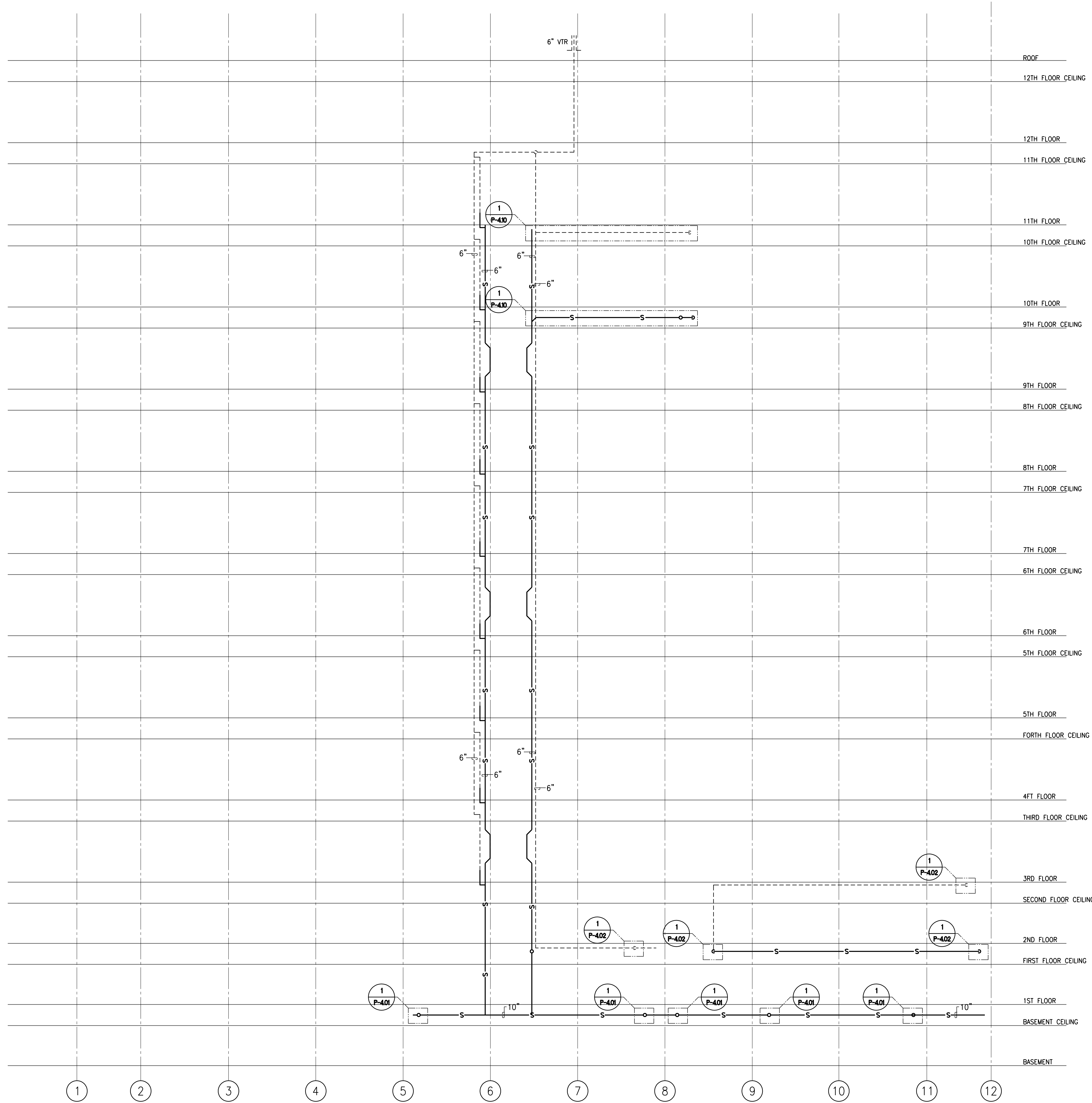
Project:	UPGRADE AND REPLACE THE SANITARY SEWER SYSTEM AT THE EL PASO COUNTY DETENTION FACILITY
Location:	601 E OVERLAND STREET EL PASO, TEXAS
Job Number:	EMC-2108022
Date:	11/23/2021
Scale:	AS SHOWN
Sheet	P-4.13
86 of: X	

Rev.#	Date	Initial	Description
1		EMC	DESIGNED BY
2		EMC	DRAWN BY
3		EMC	CHECKED BY

EMC ENGINEERS
2311 E. MICHIGAN AVENUE, SUITE 1000
EL PASO, TEXAS 79901
TEL: 915-781-2030
FAX: 915-781-2031
TEXAS FIRM REG. #24991
EMC PROJECT #2108022



THE SEAL APPEARING ON THIS DOCUMENT WAS AUTHORIZED BY MELVIN G. GLASS, P.E. #64935 OF EMC ENGINEERS (TEXAS FIRM REG. #2491) ON JANUARY 28, 2022. ALTERATION OF A SEALED DOCUMENT WITHOUT PROPER NOTIFICATION TO THE RESPONSIBLE ENGINEER IS AN OFFENSE UNDER THE TEXAS ENGINEERING PRACTICE ACT.



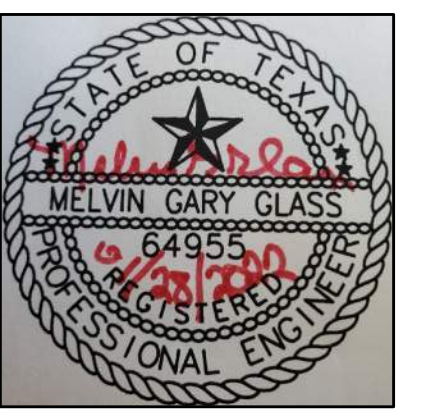
THIS DOCUMENT, WHETHER IN HARD COPY OR MACHINE READABLE FORMAT, IS COPYRIGHTED AND AN INSTRUMENT OF SERVICES IN RESPECT TO THE PROJECT FOR WHICH IT WAS PREPARED. THIS DOCUMENT IS NOT INTENDED OR AUTHORIZED FOR REUSE BY ANY PARTY ON EXTENSIONS OF SUCH PROJECT OR ANY OTHER PROJECT. ANY REUSE, INCLUDING COPYING AND/OR MODIFYING THE DOCUMENT, WITHOUT WRITTEN PERMISSION FROM EMC ENGINEERS FOR THE SPECIFIC PURPOSE INTENDED IS A VIOLATION OF FEDERAL COPYRIGHT LAW. UNAUTHORIZED USE OF THIS MATERIAL MAY RESULT IN CIVIL AND/OR CRIMINAL PENALTIES.
COPY RIGHT 2013 EMC ENGINEERS.

1 CENTER RISER ELEVATION
SCALE: NOT TO SCALE

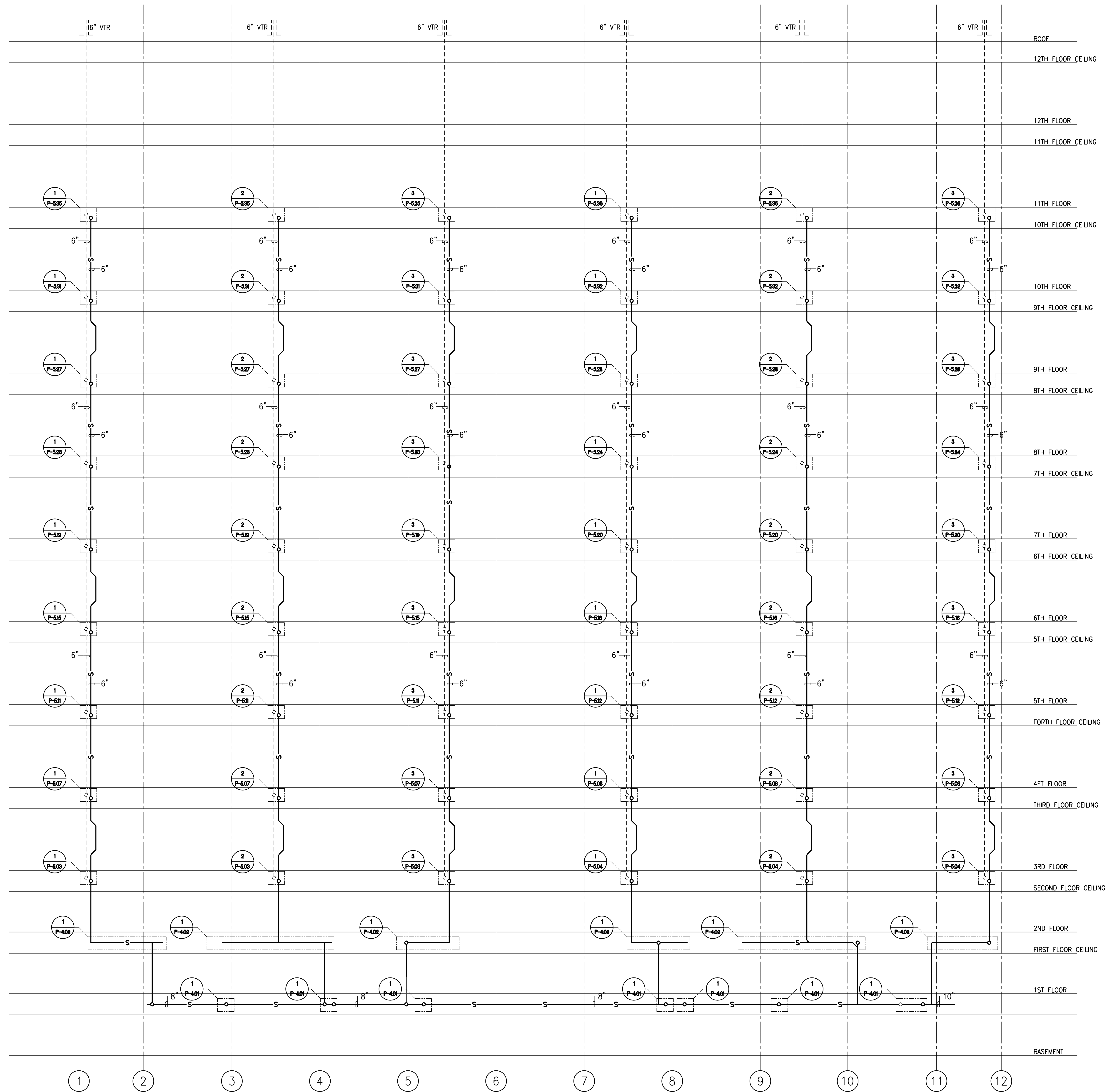
Project:	UPGRADE AND REPLACE THE SANITARY SEWER SYSTEM AT THE EL PASO COUNTY DETENTION FACILITY
Location:	601 E OVERLAND STREET EL PASO, TEXAS
Job Number:	ETC-2108022
Date:	11/23/2021
Scale:	AS SHOWN
Sheet	P-4.14
86 of: X	

EMC ENGINEERS
2311 E. MICHIGAN AVENUE, SUITE 1000
EL PASO, TEXAS 79901
TEL: 915-781-2030
FAX: 915-781-2430
TEXAS FIRM REG. #2491
EMC PROJECT #2108022

Rev.#	Date	Initial	Description
			Designed By: ETC
			Drawn By: ETC
			Checked By: ETC



THE SEAL APPEARING ON THIS DOCUMENT WAS AUTHORIZED BY MELVIN G. GLASS, P.E. #64935 OF EMC ENGINEERS (TEXAS FIRM REG. #24991) ON JANUARY 28, 2022. ALTERATION OF A SEALED DOCUMENT WITHOUT PROPER NOTIFICATION TO THE RESPONSIBLE ENGINEER IS AN OFFENSE UNDER THE TEXAS ENGINEERING PRACTICE ACT.



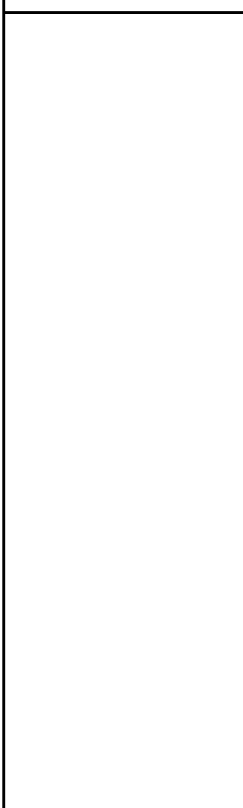
1 NORTH RISER ELEVATION
SCALE: NOT TO SCALE

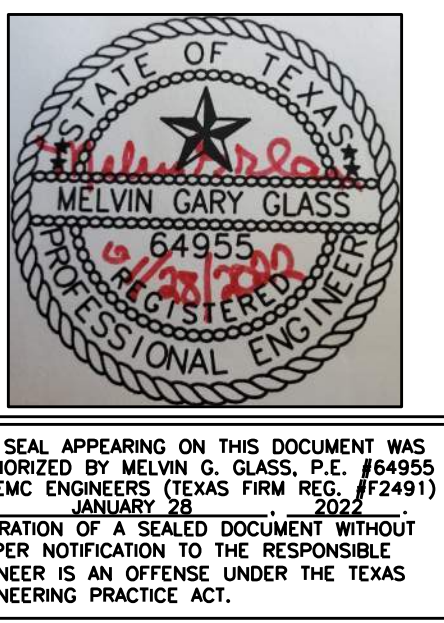
THIS DOCUMENT, WHETHER IN HARD COPY OR MACHINE READABLE FORMAT, IS COPYRIGHTED AND AN INSTRUMENT OF SERVICES IN RESPECT TO THE PROJECT FOR WHICH IT WAS PREPARED. THIS DOCUMENT IS NOT INTENDED OR AUTHORIZED FOR REUSE BY ANY PARTY ON EXTENSIONS OF SUCH PROJECT OR ANY OTHER PROJECT. ANY REUSE, INCLUDING COPYING AND/OR MODIFYING THE DOCUMENT, WITHOUT WRITTEN PERMISSION FROM EMC ENGINEERS FOR THE SPECIFIC PURPOSE INTENDED IS A VIOLATION OF FEDERAL COPYRIGHT LAW. UNAUTHORIZED USE OF THIS MATERIAL MAY RESULT IN CIVIL AND/OR CRIMINAL PENALTIES.
COPY RIGHT 2013 EMC ENGINEERS.

Project:	UPGRADE AND REPLACE THE SANITARY SEWER SYSTEM AT THE EL PASO COUNTY DETENTION FACILITY
Location:	601 E OVERLAND STREET EL PASO, TEXAS
Job Number:	EMC-2108022
Date:	11/23/2021
Scale:	AS SHOWN
Sheet	P-4.15
86 of: X	

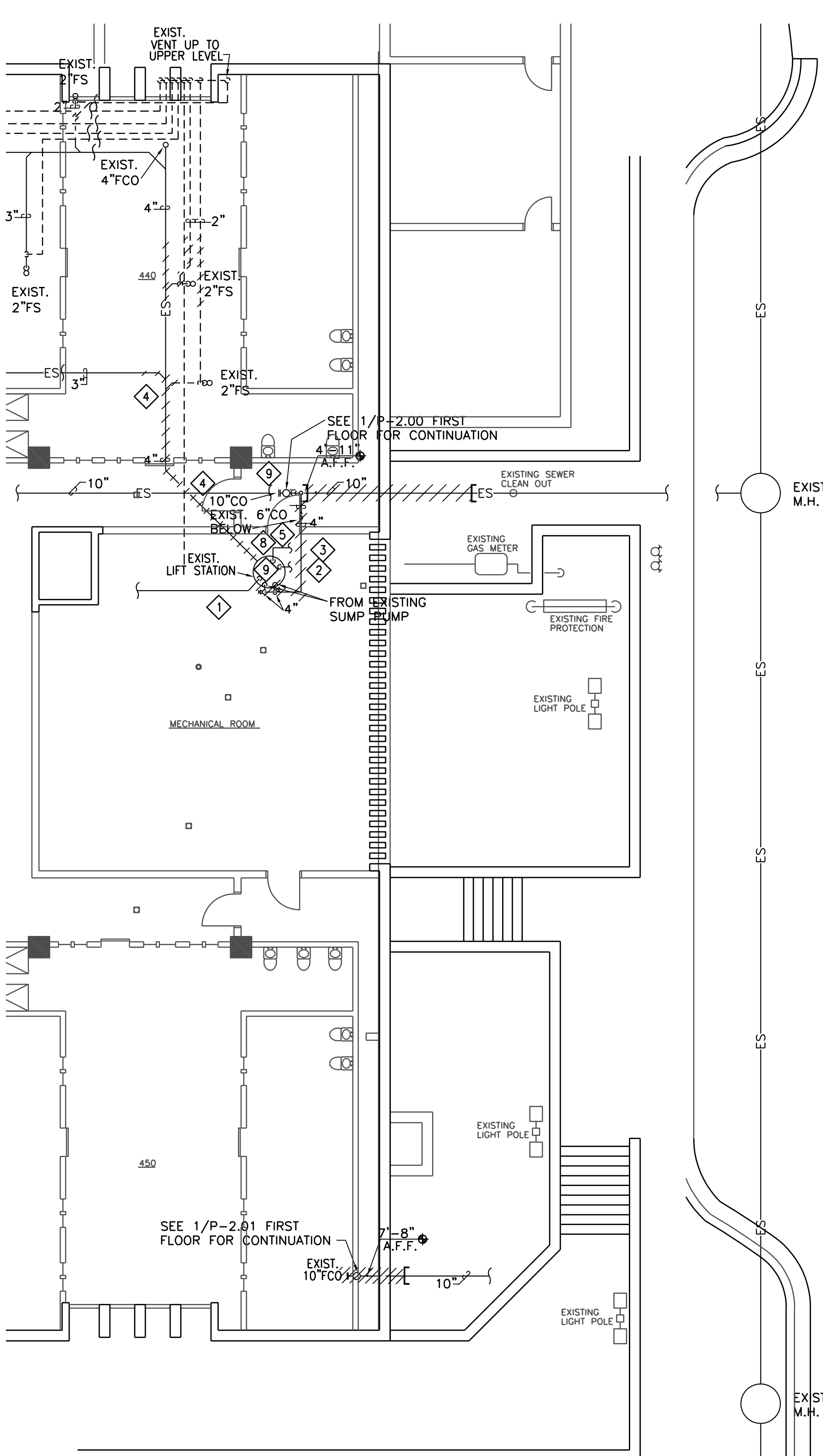
Rev.#	Date	Initial	Description
1		EMC	EMC
2		EMC	EMC

EMC ENGINEERS
2311 E. MICHIGAN AVE. SUITE 1000
EL PASO, TEXAS 79901
TEL: 915-781-2030
FAX: 915-781-2031
TEXAS FIRM REG. #24991
EMC PROJECT #2108022



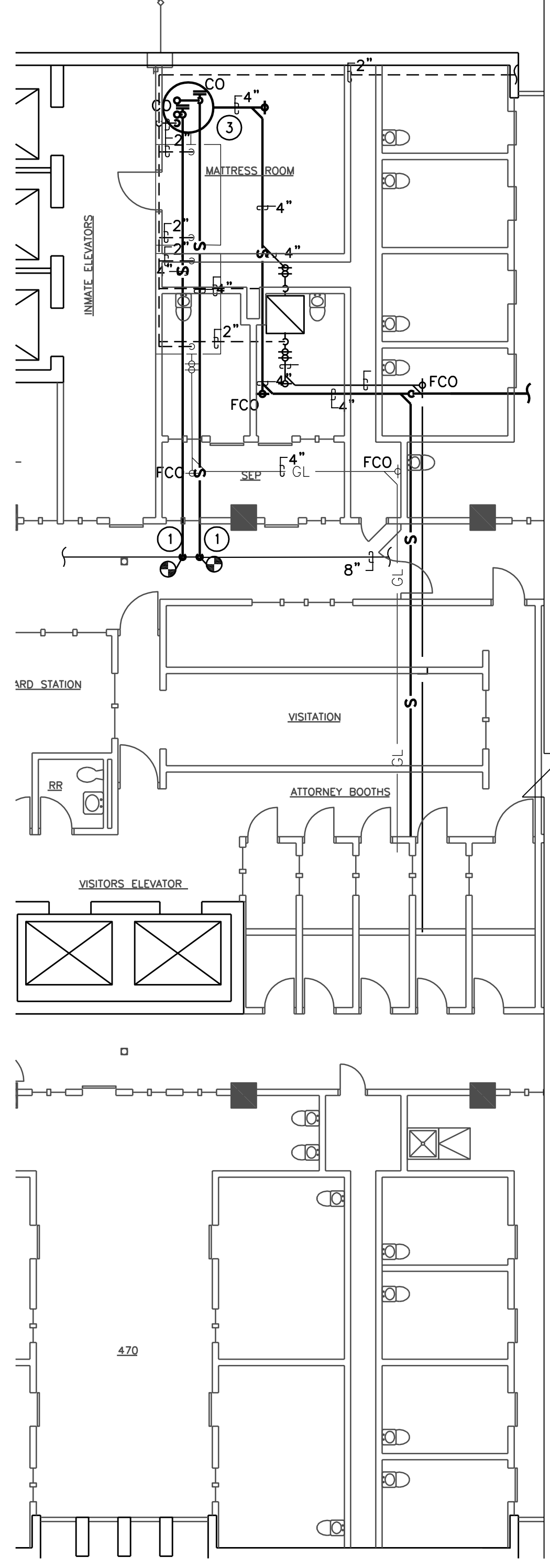


THE SEAL APPEARING ON THIS DOCUMENT WAS AUTHORIZED BY MELVIN G. GLASS, P.E. #64935 OF EMC ENGINEERS (TEXAS FIRM #24911) ON JANUARY 28, 2012. ANY ALTERATION OF THIS SEAL WITHOUT PROPER NOTIFICATION TO THE RESPONSIBLE ENGINEER IS AN OFFENSE UNDER THE TEXAS ENGINEERING PRACTICE ACT.



EXISTING PARTIAL PLUMBING SEWER BASEMENT AND SITE PLAN

1
P-500
SCALE 1/8" = 1'-0"
8 6 4 2 0 4 8 12 16



REMODEL PARTIAL PLUMBING SEWER - BASEMENT AND SITE PLAN

2
P-500
SCALE 1/8" = 1'-0"
8 6 4 2 0 4 8 12 16

PLUMBING GENERAL NOTES:

- THE INTENT OF THE DEMOLITION AND REPLACEMENT OF THE SEWER AND VENTING SYSTEMS FOR THE FACILITY. THIS FACILITY IS A 24/7 SECURED OPERATION FACILITY, SO THE CONTRACTOR SHALL COORDINATE ALL DEMOLITION AND REMODEL WORK WITH THE DETENTION PERSONNEL.
- DEMOLITION SEWER AND VENT WORK SHOWN HATCHED, EXISTING WORK TO REMAIN IS UNHATCHED.

REMODEL PLUMBING KEYED NOTES:

- NEW EXTERIOR DUPLEX LIFT STATION (LS-2) TO BE INSTALLED AT THIS LOCATION. COORDINATE WITH EXISTING LANDSCAPE AND AREA LIGHT POLE. NEW LIFT STATION TO BE MOUNTED IN 6" THICK HOUSE KEEPING PAD WITH PAD 2" ABOVE FINISHED GRADE. COORDINATE ELECTRICAL POWER REQUIREMENTS WITH ELECTRICAL DRAWINGS. CONNECT THE INCOMING AND EXITING SEWER CONNECTIONS AS INDICATED.
- NEW 10" SEWER MAIN WITH CLEANOUTS IN SIDEWALK CONNECTING TO THE EXISTING SOUTH 10" SEWER MAIN GOING TO THE STREET MANHOLE AS INDICATED. THE CONTRACTOR IS TO INSTALL AN NEW EXTERIOR CLEANOUT IN THE SIDEWALK AS SHOWN. CONNECT BOTH OF THE 6" SEWER DISCHARGES FROM THE LIFT STATION TO THIS NEW 10" MAIN SEWER AS INDICATED ON THE DRAWINGS. CONNECT A 4" LIQUID OVERFLOW MAIN FROM LS-2 TO NEW 10" SEWER AS INDICATED.
- NEW LIFT STATION LS-1 TO BE INSTALLED AT THIS LOCATION. COORDINATE LOCATION WITH EXISTING UNDERGROUND GRADE BEAM TWO NEW 4" SEWER PIPING TO RISE UP FROM LIFT STATION AND CONNECT TO EXISTING 10" SEWER MAIN AS INDICATED.
- EXISTING 10" NORTH SEWER TO EXIT BUILDING AT EXISTING LOCATION. THEN OUTSIDE THE BUILDING TURNING SOUTH TO CONNECT TO THE NEW LIFT STATION (LS-2) AS INDICATED. THERE ARE EXISTING DOMESTIC WATER, FIRE PROTECTION WATER MAIN, FIRE DEPARTMENT HOSE CONNECTION PIPING, AND NATURAL GAS PIPING IN THE WALKWAY ALONG SIDE OF THE SEWER MAIN. COORDINATE MODIFICATION OF THE SEWER PIPING WITH THESE PIPES. EXISTING 10" SEWER GOING TO THE MAIN HOLE IN STREET IS TO BE CAPPED AND ABANDONED IN PLACE.
- EXISTING 10" SOUTH SEWER IS TO TURN NORTH AT THE BUILDING EXIST AND BE RUN AS INDICATED TO A NEW BUILDING OUTLET LOCATION AS INDICATED. THE 10" SEWER IS TO EXIT THE BUILDING AS INDICATED IN UPPER PLANTER AND BE ROUTED UNDER THE STAIRS OVER TO THE NEW EXTERIOR LIFT STATION AS INDICATED.
- NEW FLOOR SINK (FS-1) TO CONNECT WITH 4" SEWER MAIN TO THE NEW 6" SEWER AS INDICATED. 1-1/2" VENT PIPING IS TO RISE UP WALL AND CONNECT TO EXISTING VENT PIPING AT CEILING.
- EXISTING 4" SEWER MAIN FROM 1ST FLOOR TO BE REROUTED TO CONNECT TO EXISTING 10" SEWER UTILIZING THE EXISTING 6" SEWER FEED FROM THE LIFT STATION CONNECTION AS INDICATED WITH NEW FCO AS INDICATED. COORDINATE REROUTING WITH REMOVAL OF EXISTING LIFT STATION FROM SERVICE.
- EXISTING FIRE RISER DRAIN PIPE TO BE REROUTED TO NEW FLOOR SINK (FS-1) AS INDICATED ON THE DRAWINGS. COORDINATE REROUTING WITH REMOVAL OF EXISTING LIFT STATION FROM SERVICE.
- EXISTING DOMESTIC WATER STRAINER DRAIN PIPE TO BE REROUTED TO NEW FLOOR SINK (FS-1), AS INDICATED ON THE DRAWINGS. COORDINATE REROUTING WITH REMOVAL OF EXISTING LIFT STATION FROM SERVICE.
- EXISTING BACKFLOW PREVENTER DRAIN PIPE TO BE REROUTED TO NEW FLOOR SINK (FS-1), AS INDICATED ON THE DRAWINGS. COORDINATE REROUTING WITH REMOVAL OF EXISTING LIFT STATION FROM SERVICE.
- EXISTING LIFT STATION TO REMAIN IN OPERATION UNTIL NEW LIFT STATION (LS-1) IS OPERATIONAL AND READY TO ACCEPT SEWAGE WASTE. THE EXISTING LIFT STATION IS TO BE REMOVED AND THE INLET SEWER MAINS TO BE CAPPED AND ABANDONED UNDER FLOOR PER DEMOLITION KEYED NOTES 2 AND 3 THIS SHEET.
- EXISTING CLEANOUT CONNECTION TO BE REPLACED WITH A NEW SCREW-IN TYPE CLEANOUT CONNECTION, WITH A 6" SCREW BAND CLAMPS EXTRA HEAVY DUTY BAND (FERNO MODEL HD-1010, HUSKY SD-4000, ANANCO OR IDEAL). REMOVE ALL-THREAD ATTACHMENT RODS AND ASSOCIATED CROSS BRACE.

DEMOLITION PLUMBING KEYED NOTES:

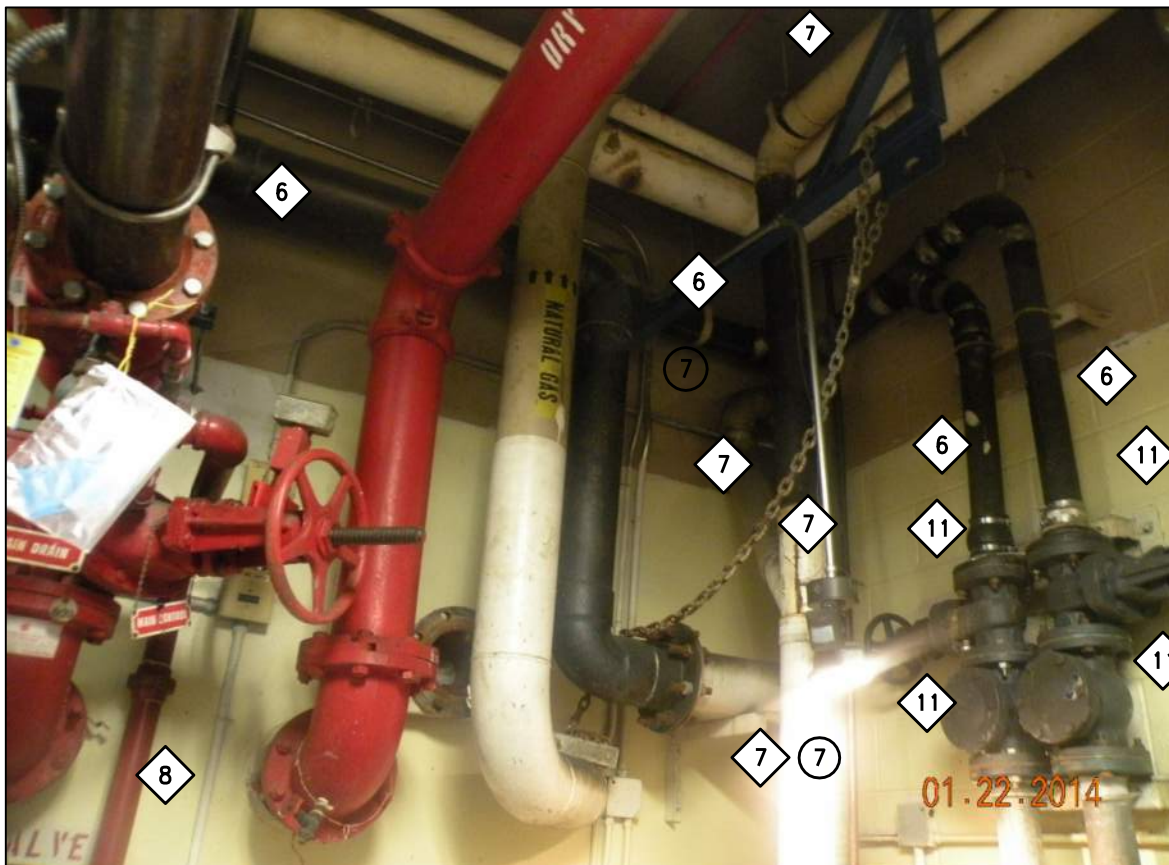
- EXISTING BACKFLOW PREVENTER DRAIN PIPE TO BE REROUTED TO NEW FLOOR SINK (FS-1). REFER TO REMODEL PLANS FOR FURTHER INFORMATION. COORDINATE REROUTING WITH REMOVAL OF EXISTING LIFT STATION FROM SERVICE.
- EXISTING LIFT STATION TO REMAIN IN OPERATION UNTIL NEW LIFT STATION (LS-1) IS OPERATIONAL AND READY TO ACCEPT SEWAGE WASTE. THE EXISTING LIFT STATION IS TO BE REMOVED AND THE INLET SEWER MAINS TO BE CAPPED AND ABANDONED UNDER FLOOR. THE EXISTING SEWAGE PUMPS AND ALL ASSOCIATED HOSES, CHECK VALVES, AND ISOLATION VALVES ARE TO BE TURNED OVER TO THE OWNER. ALL ELECTRICAL CONTROLS, DISCONNECTS AND MONITORING EQUIPMENT IS TO BE REMOVED AND TURNED OVER TO THE OWNER. ALL EXISTING WIRING AND CONDUITS SERVING THE LIFT STATION ARE TO BE REMOVED BACK TO THEIR RESPECTIVE PANEL. REFER TO ELECTRICAL DRAWINGS FOR FURTHER INFORMATION. REFER TO REMODEL PLANS FOR FURTHER INFORMATION.
- THE EXISTING SUMP BASIN IS TO BE CUT-UP, REMOVED, AND DISPOSED OF AT AN APPROVED OFF SITE LOCATION AFTER NEW LIFT STATION (LS-1) IS FULLY OPERATIONAL. THE EXISTING HOLE IS TO BE FILLED WITH CLEAN BACKFILL DIRT AND COMPACTED TO 95%. COVER THE DIRT IN THE OPENING WITH A 6" THICK CONCRETE SLAB. CONCRETE TO BE IN ACCORDANCE WITH PLUMBING GENERAL NOTE 34 ON SHEET P-1.00. REFER TO REMODEL PLANS FOR FURTHER INFORMATION.
- EXISTING MECHANICAL ROOM SEWER MAIN TO BE REMOVED AND RECONFIGURED AS INDICATED FOR THE NEW LIFT STATION PER THE REMODEL PLAN ON THIS SHEET.
- EXISTING 10 INCH "WYE" FITTING TO BE ROTATED AND HAVE 6 INCH CONNECTION TO COME OUT THE OPPOSITE DIRECTION FOR CONNECTION TO THE NEW LIFT STATION 6" SEWER MAIN. COORDINATE RELOCATION AND ROTATION WITH REMOVAL OF EXISTING LIFT STATION FROM SERVICE.
- EXISTING 4" SEWER CONNECTION FROM EXISTING LIFT STATION TO BE REMOVED. COORDINATE ROTATION WITH REMOVAL OF EXISTING LIFT STATION FROM SERVICE. EXISTING 4" SEWER PIPING FROM THE SEWAGE PUMPS IS TO BE REMOVED UP TO THE 6" SEWER PIPING INCLUDING PIPING, FITTINGS, COUPLING, AND HANGERS.
- EXISTING 4" SEWER MAIN FROM 1ST FLOOR TO BE REROUTED TO CONNECT TO THE EXISTING 10" SEWER MAIN VIA THE EXISTING 6" LIFT STATION SEWER MAIN. COORDINATE REROUTING WITH REMOVAL OF EXISTING LIFT STATION FROM SERVICE.
- EXISTING FIRE RISER DRAIN PIPE TO BE REROUTED TO NEW FLOOR SINK (FS-1). REFER TO REMODEL PLANS FOR FURTHER INFORMATION. COORDINATE REROUTING WITH REMOVAL OF EXISTING LIFT STATION FROM SERVICE.
- EXISTING DOMESTIC WATER STRAINER DRAIN PIPE TO BE REROUTED TO NEW FLOOR SINK (FS-1). REFER TO REMODEL PLANS FOR FURTHER INFORMATION. COORDINATE REROUTING WITH REMOVAL OF EXISTING LIFT STATION FROM SERVICE.



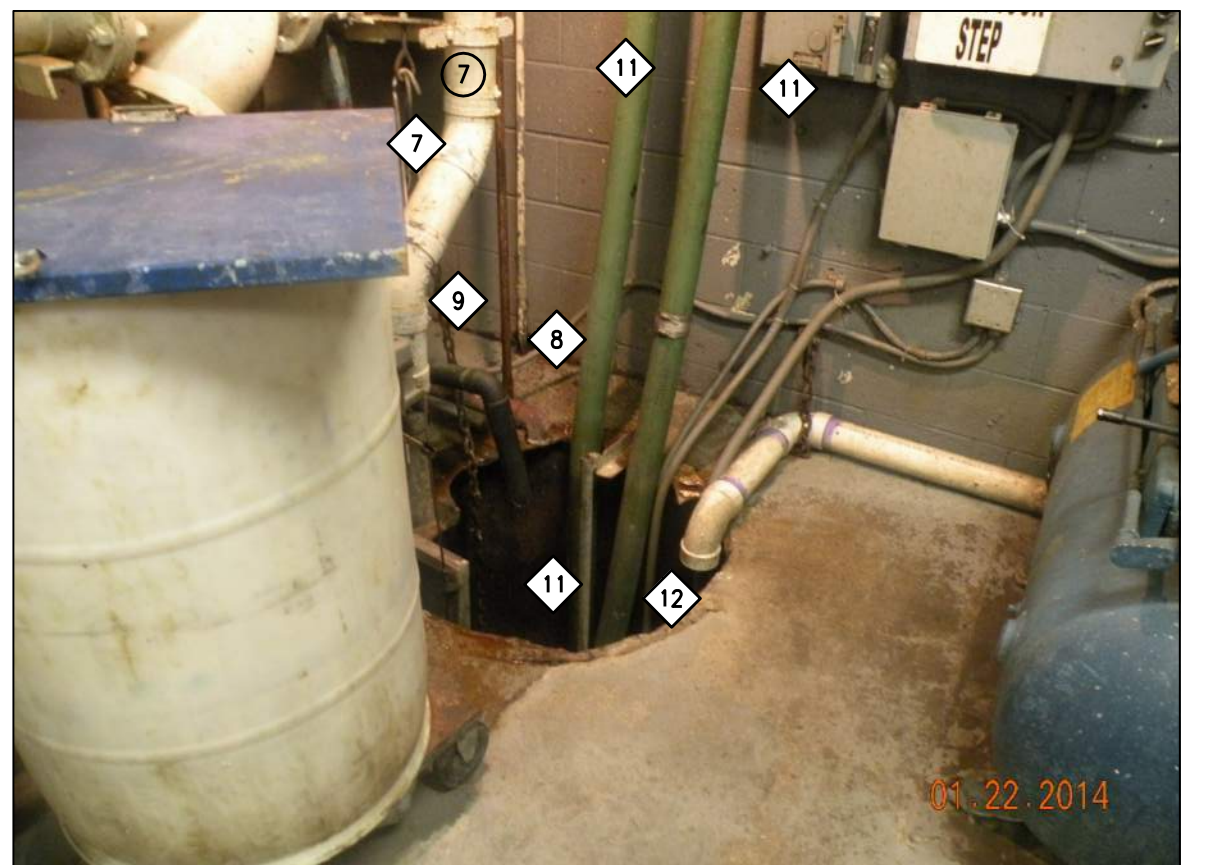
3
P-500
PHOTO #1



4
P-500
PHOTO #2



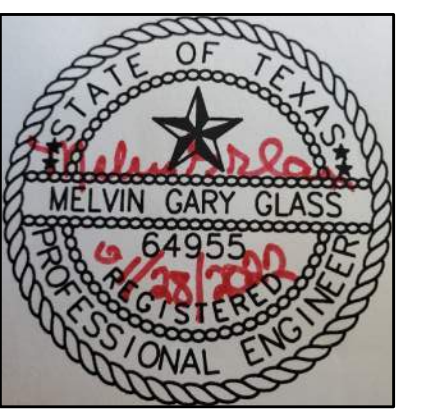
5
P-500
PHOTO #3



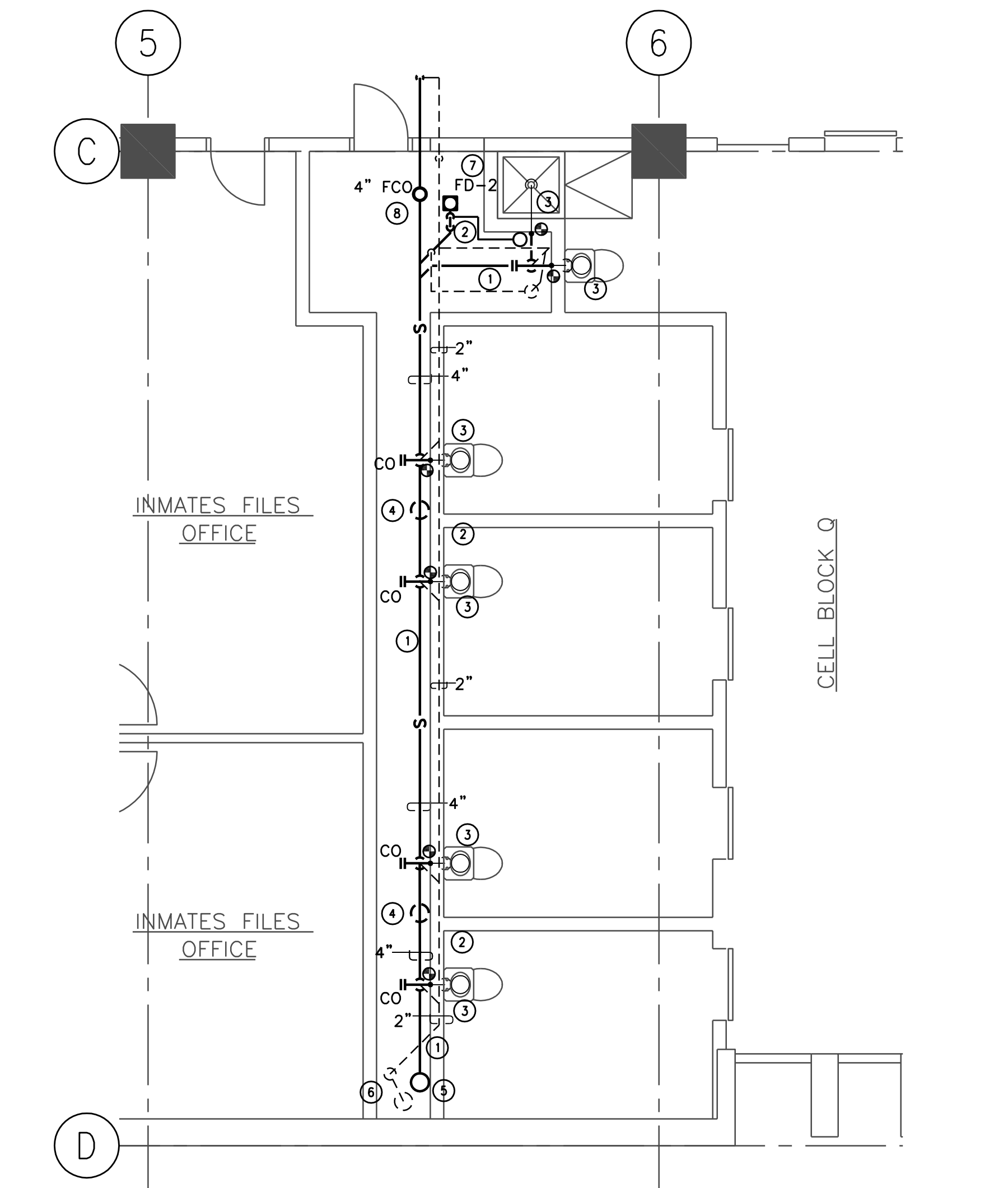
6
P-500
PHOTO #4

THIS DOCUMENT, WHETHER IN HARD COPY OR MACHINE READABLE FORMAT, IS COPYRIGHTED AND AN INSTRUMENT OF SERVICES IN RESPECT TO THE PROJECT FOR WHICH IT WAS PREPARED. THIS DOCUMENT IS NOT INTENDED OR AUTHORIZED FOR REUSE BY ANY PARTY ON EXTENSIONS OF SUCH PROJECT OR ANY OTHER PROJECT. ANY REUSE, INCLUDING COPYING AND/OR MODIFYING THE DOCUMENT, WITHOUT WRITTEN PERMISSION FROM EMC ENGINEERS FOR THE SPECIFIC PURPOSE INTENDED IS A VIOLATION OF FEDERAL COPYRIGHT LAW. UNAUTHORIZED USE OF THIS MATERIAL MAY RESULT IN CIVIL AND/OR CRIMINAL PENALTIES.
COPY RIGHT 2013 EMC ENGINEERS.

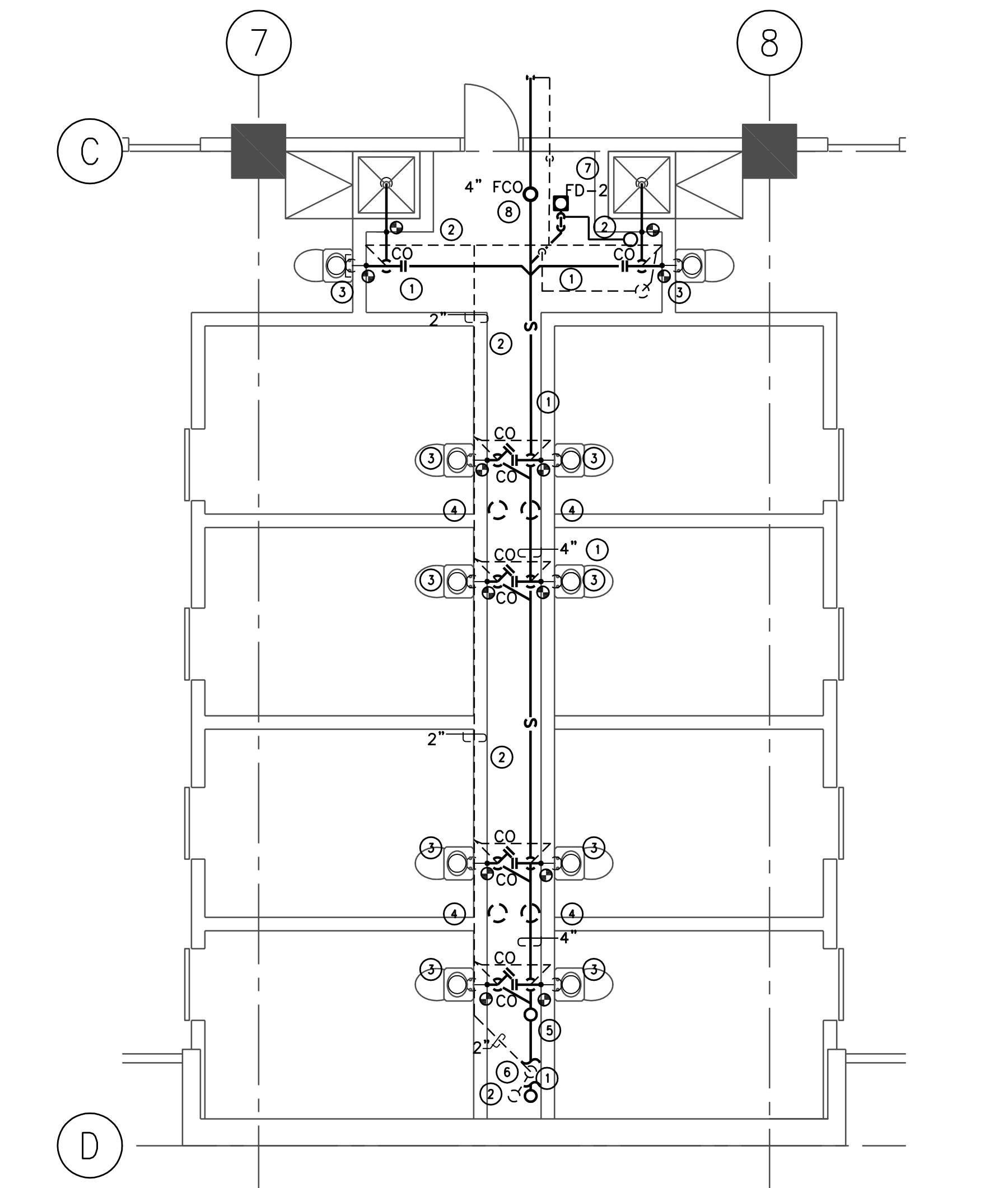
Project:	UPGRADE AND REPLACE THE SANITARY SEWER SYSTEM AT THE EL PASO COUNTY DETENTION FACILITY
Location:	601 E OVERLAND STREET EL PASO, TEXAS
Job Number:	ETC-2108022
Date:	11/23/2021
Scale:	A5 SHOWN
Sheet:	P-5.00
55 of:	x



THE SEAL APPEARING ON THIS DOCUMENT WAS AUTHORIZED BY MELVIN G. GLASS, P.E. #64935 OF EMC ENGINEERS (TEXAS FIRM REG. #27491) ON JANUARY 28, 2022. ALTERATION OF A SEALED DOCUMENT WITHOUT PROPER NOTIFICATION TO THE RESPONSIBLE ENGINEER IS AN OFFENSE UNDER THE TEXAS ENGINEERING PRACTICE ACT.



1 SECOND FLOOR ENLARGED REMODEL PLUMBING SEWER WASTE AND VENT PIPING FLOOR PLAN
 SCALE: 1/4" = 1'-0"
 REFER TO DEMOLITION PLAN VP-300



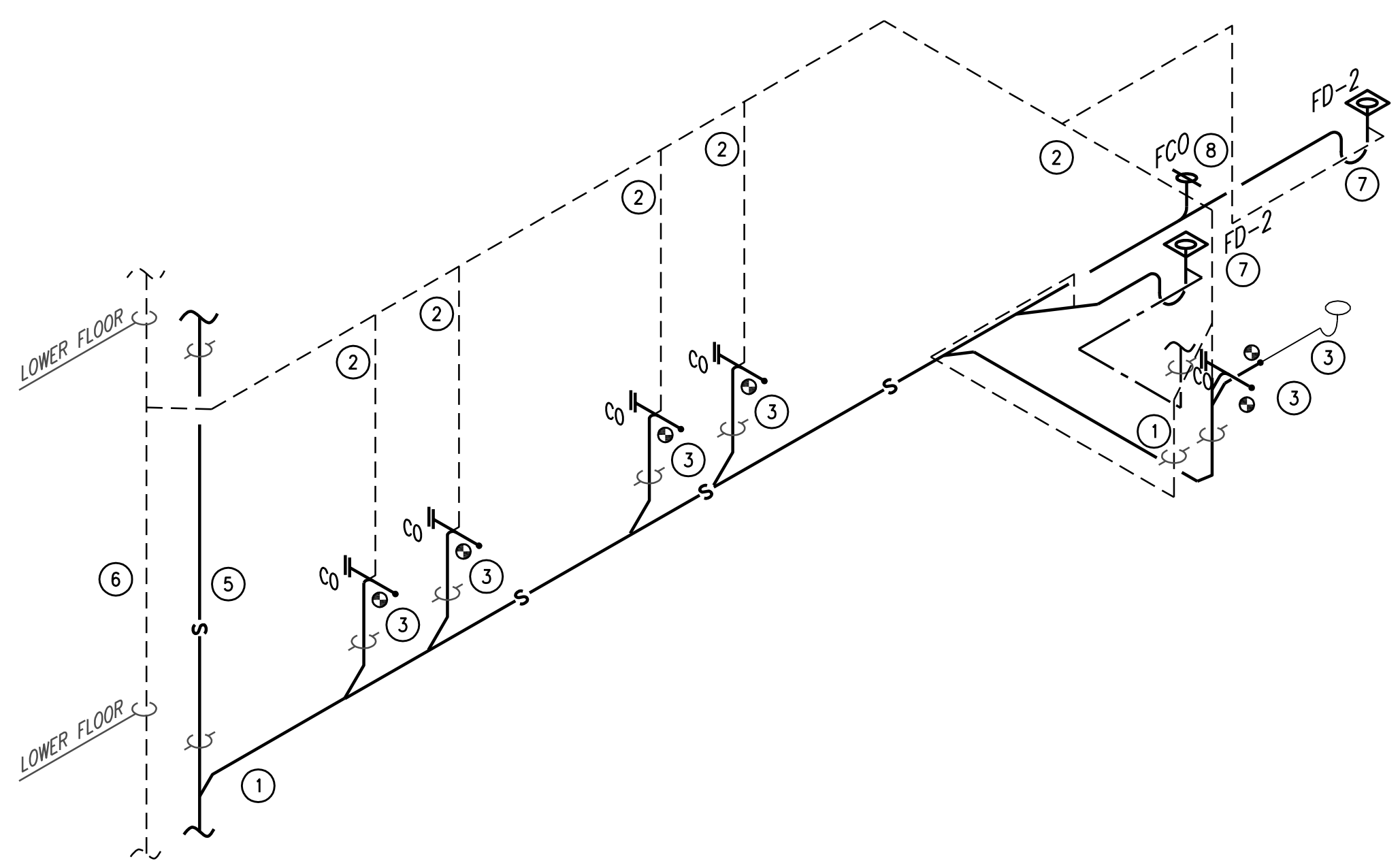
2 SECOND FLOOR ENLARGED REMODEL PLUMBING SEWER WASTE AND VENT PIPING FLOOR PLAN
 SCALE: 1/4" = 1'-0"
 REFER TO DEMOLITION PLAN 2/P-300

REMODEL PLUMBING GENERAL NOTES:

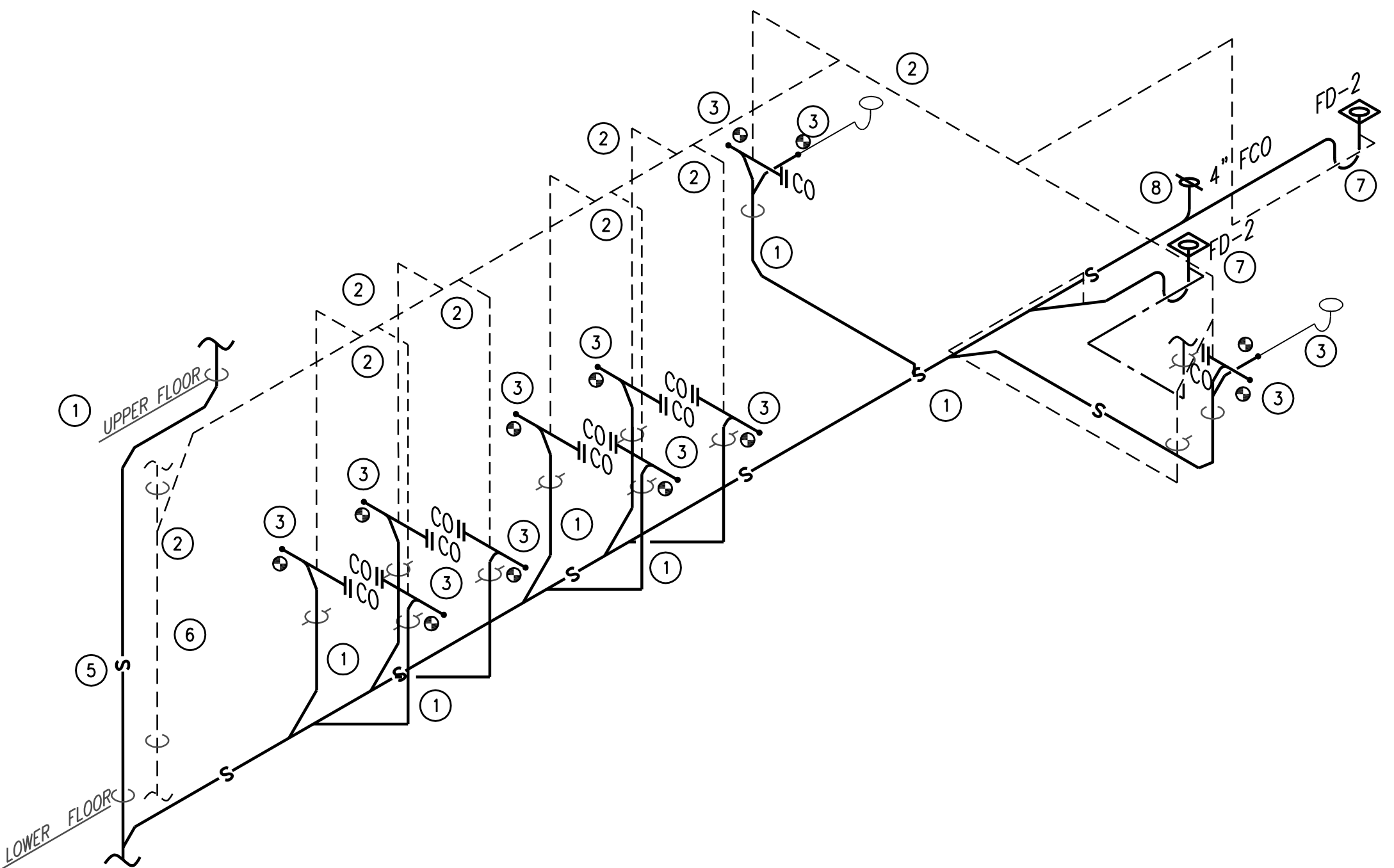
- 1 THE INTENT IS TO REMODEL REPLACEMENT OF THE SEWER AND VENTING SYSTEMS FOR THE FACILITY. THIS FACILITY IS A 24/7 SECURED OPERATION FACILITY. SO THE CONTRACTOR SHALL COORDINATE ALL DEMOLITION AND REMODEL WORK WITH THE DETENTION PERSONNEL.
- 2 SOME PLUMBING CHASES CONTAIN MECHANICAL DUCTWORK. THE CONTRACTOR SHALL COORDINATE THE INSTALLATION OF NEW SEWER AND VENT PIPING WITH THIS DUCTWORK.

REMODEL PLUMBING KEYED NOTES:

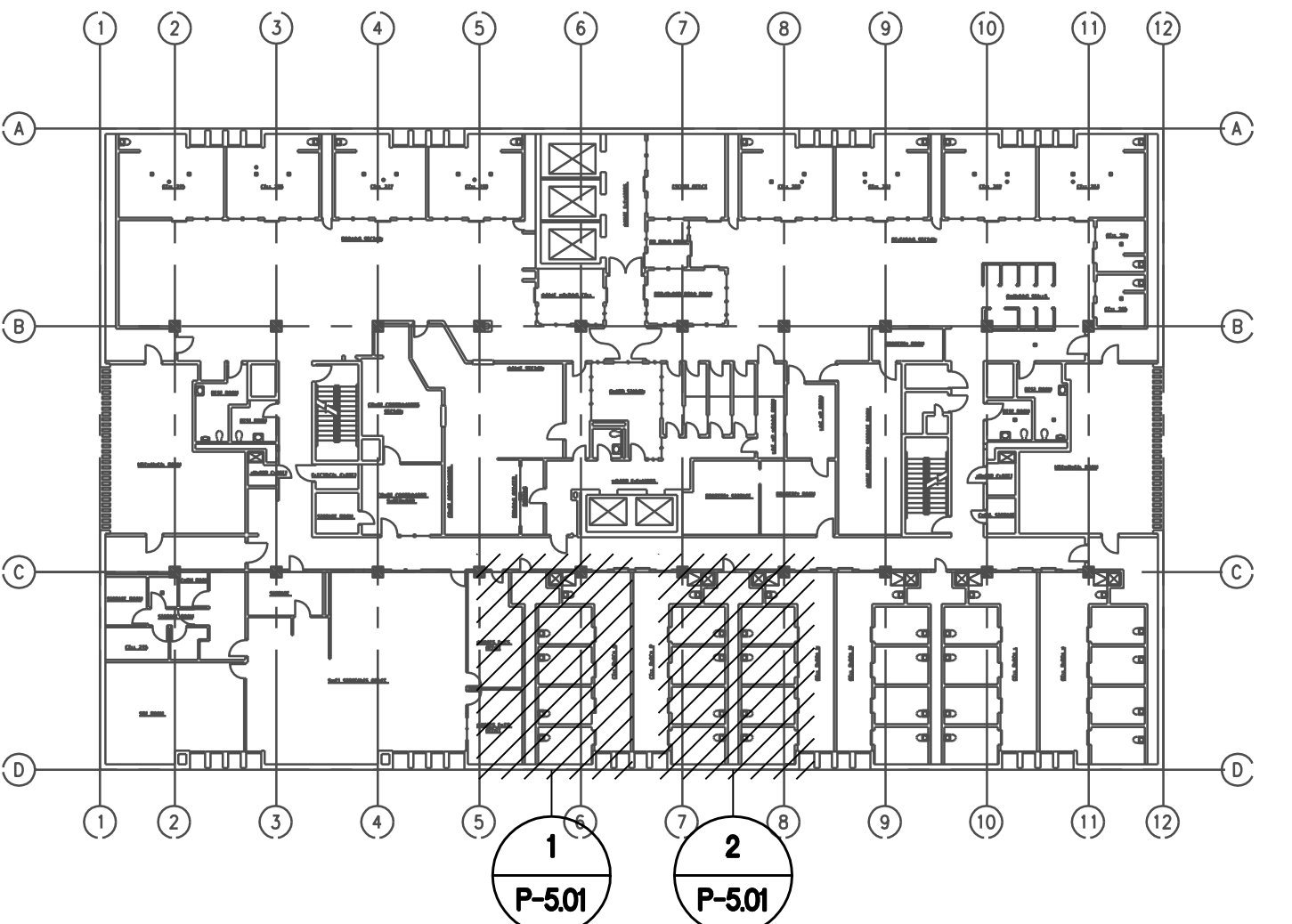
- 1 REPLACE EXISTING SEWER WITH NEW SEWER PIPING AT SIZE AS INDICATED. INSTALL AND SUPPORT PIPING PER SCHEMATICS 8/P-1.01, 9/P-1.01 AND 12/P-1.01.
- 2 REPLACE EXISTING VENT WITH NEW VENT PIPING AT SIZE AS INDICATED. INSTALL AND SUPPORT PIPING PER SCHEMATICS 8/P-1.01, 9/P-1.01 AND 12/P-1.01.
- 3 EXISTING SEWER AND VENT PIPING FROM STAND ALONE WC, FLOOR DRAINS, AND SHOWER ASSEMBLIES FIXTURE IS TO REMAIN AND BE RECONNECTED TO THE NEW SEWER MAIN AT WALL/FLOOR PENETRATION AS INDICATED.
- 4 EXISTING FLOOR PENETRATION TO BE FILLED IN WITH CONCRETE TO SEAL THE OPENING.
- 5 NEW MAIN SEWER RISER PIPING IS TO REPLACE THE EXISTING RISER IN THE SAME PLACE IN CHASE TO BE INSTALLED IN SAME LOCATION OF EXISTING MAIN SEWER RISER PIPING. REFER TO SCHEMATIC 8/P-1.01 FOR FLOOR PENETRATION.
- 6 NEW MAIN VENT RISER PIPING IS TO REPLACE THE EXISTING RISER IN THE SAME PLACE IN CHASE TO BE INSTALLED IN SAME LOCATION OF EXISTING MAIN VENT RISER PIPING. REFER TO SCHEMATIC 8/P-1.01 FOR FLOOR PENETRATION.
- 7 NEW FLOOR DRAIN (FD-2) TO BE INSTALLED IN PLUMBING CHASE. REFER TO 11/P-1.01 FOR FURTHER INFORMATION.
- 8 NEW FLOOR CLEANOUT (FCO) TO BE INSTALLED PER SCHEMATIC 1/P-1.01.



3 SEWER WASTE AND VENT PIPING ISOMETRIC
 SCALE: NONE
 REFER TO VP-501 FOR FLOOR PLAN



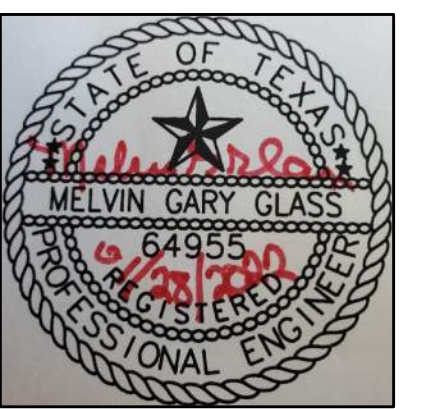
4 SEWER WASTE AND VENT PIPING ISOMETRIC
 SCALE: NONE
 REFER TO 2/P-501 FOR FLOOR PLAN



SECOND FLOOR KEY PLAN

THIS DOCUMENT, WHETHER IN HARD COPY OR MACHINE READABLE FORMAT, IS COPYRIGHTED AND AN INSTRUMENT OF SERVICES IN RESPECT TO THE PROJECT FOR WHICH IT WAS PREPARED. THIS DOCUMENT IS NOT INTENDED OR AUTHORIZED FOR REUSE BY ANY PARTY ON EXTENSIONS OF SUCH PROJECT OR ANY OTHER PROJECT. ANY REUSE, INCLUDING COPYING AND/OR MODIFYING THE DOCUMENT, WITHOUT WRITTEN PERMISSION FROM EMC ENGINEERS FOR THE SPECIFIC PURPOSE INTENDED IS A VIOLATION OF FEDERAL COPYRIGHT LAW. UNAUTHORIZED USE OF THIS MATERIAL MAY RESULT IN CIVIL AND/OR CRIMINAL PENALTIES.
 COPY RIGHT 2013 EMC ENGINEERS.

Project:	UPGRADE AND REPLACE THE SANITARY SEWER SYSTEM AT THE EL PASO COUNTY DETENTION FACILITY
Location:	601 E OVERLAND STREET EL PASO, TEXAS
Job Number:	ETC-2108022
Date:	11/23/2021
Scale:	A5 SHOWN
Sheet:	P-5.01
56 of:	X



THE SEAL APPEARING ON THIS DOCUMENT WAS AUTHORIZED BY MELVIN G. GLASS, P.E. #64935 OF EMC ENGINEERS (TEXAS FIRM REG. #2491) ON JANUARY 28, 2022. ANY ALTERATION OF A SEALED DOCUMENT WITHOUT PROPER NOTIFICATION TO THE RESPONSIBLE ENGINEER IS AN OFFENSE UNDER THE TEXAS ENGINEERING PRACTICE ACT.

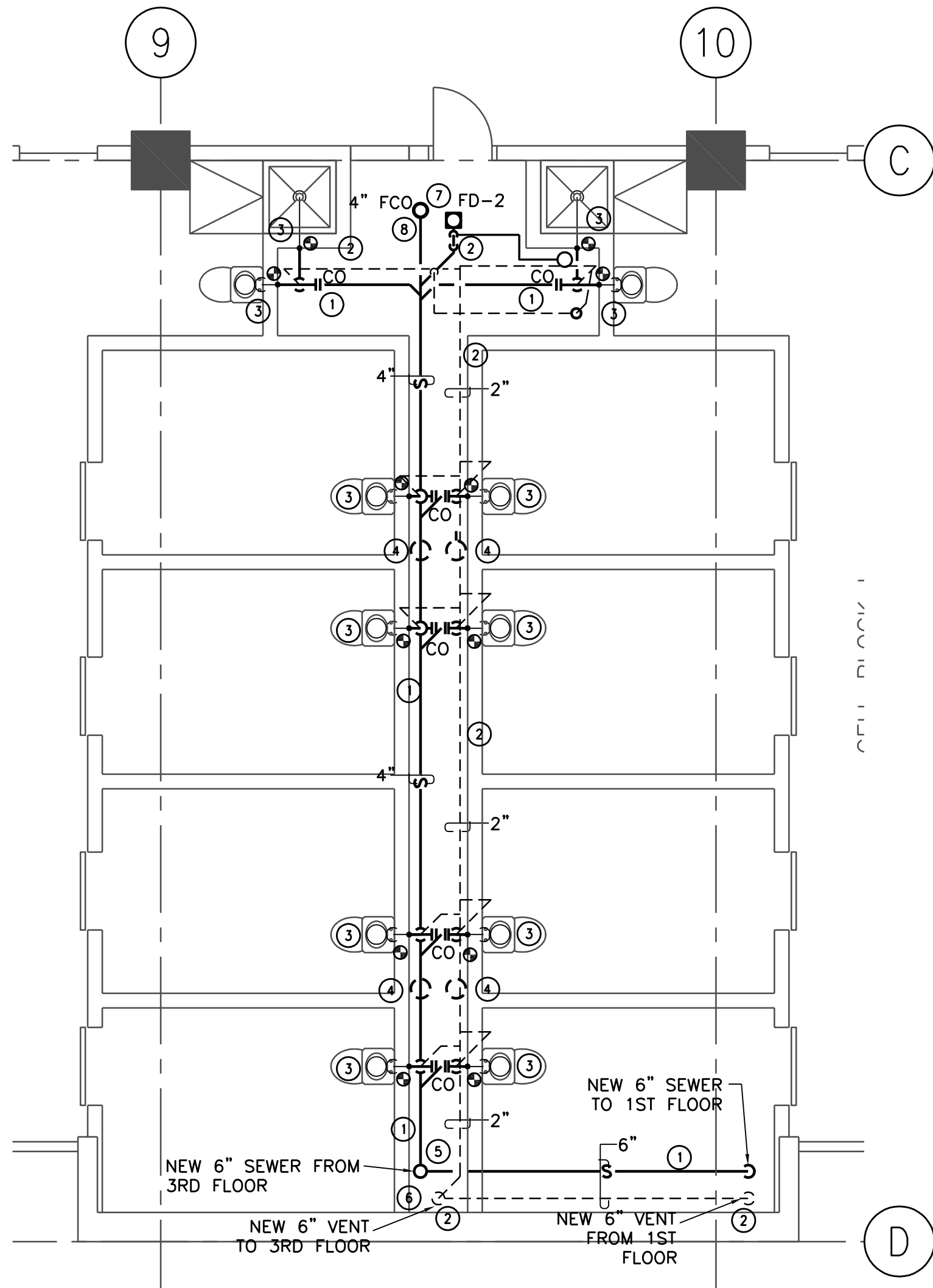
Rev.#	Date	Initial	Revision Description
1			
2			
3			
4			
5			
6			
7			
8			
9			
10			
11			
12			

EMC ENGINEERS
2311 E. BUSINESS AVENUE, SUITE 100
EL PASO, TEXAS 79901
TEL: 915-781-2000
FAX: 915-781-2005
WWW.EMCENGINEERS.COM
EMC PROJECT #2108022

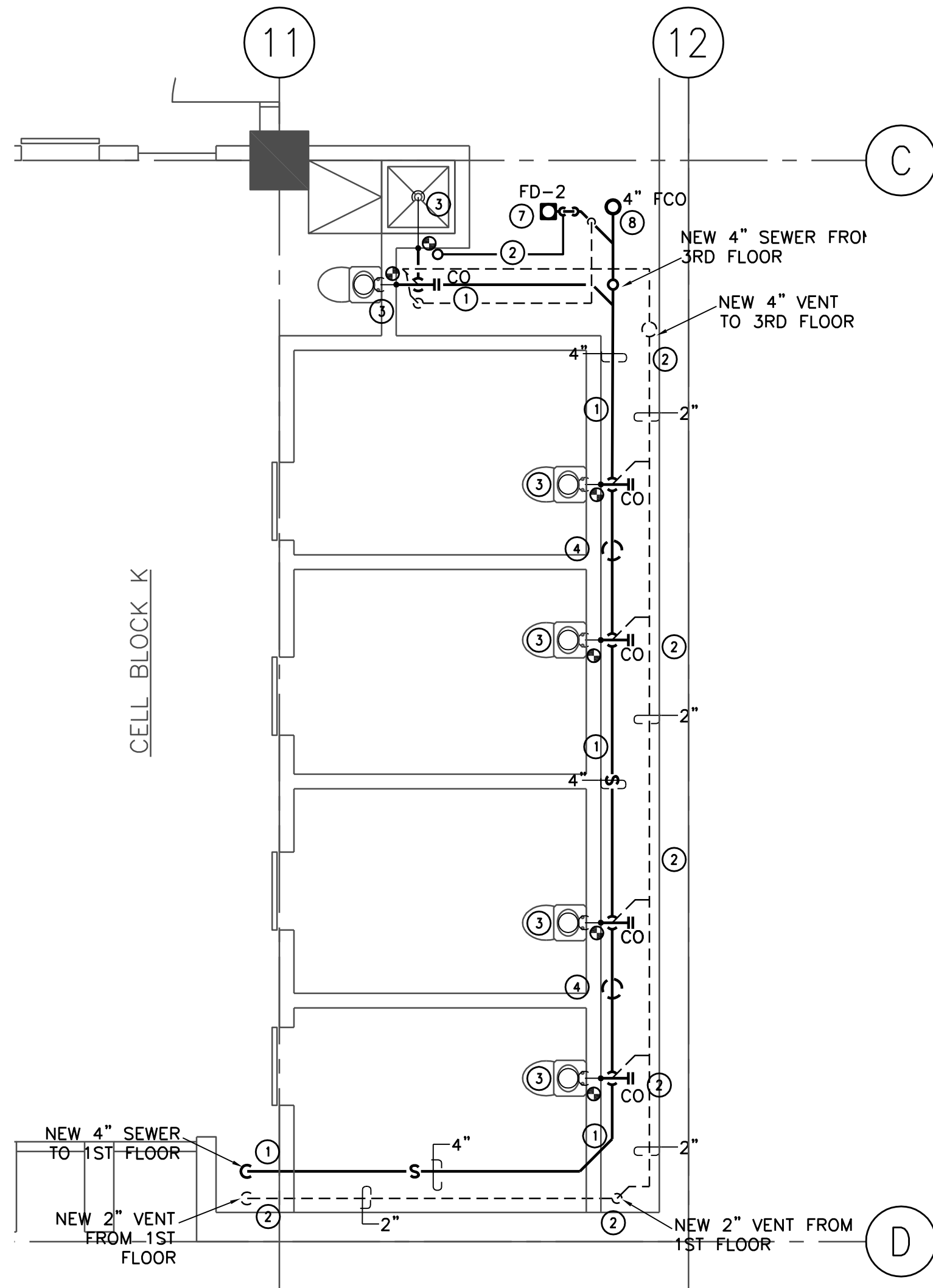


Project: **UPGRADE AND REPLACE THE SANITARY SEWER SYSTEM AT THE EL PASO COUNTY DETENTION FACILITY**
Location: **601 E OVERLAND STREET EL PASO, TEXAS**

Job Number: **ETC-2108022**
Date: **11/23/2021**
Scale: **AS SHOWN**
Sheet: **P-5.02**
57 of: X



1 SECOND FLOOR ENLARGED REMODEL PLUMBING SEWER WASTE AND VENT PIPING FLOOR PLAN
SCALE: 1/4" = 1'-0"
REFER TO DEMOLITION PLAN 3/P-3.00



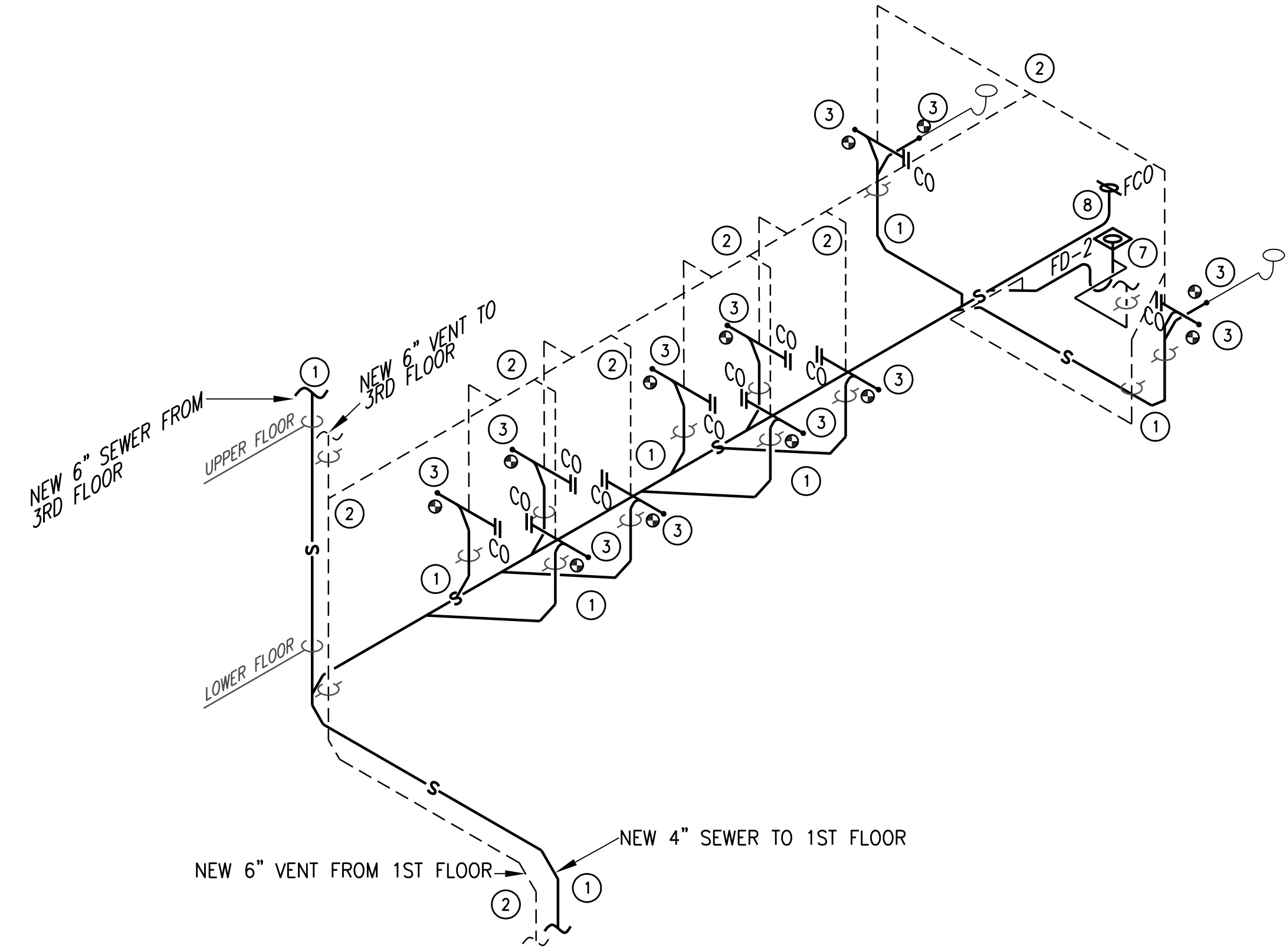
2 SECOND FLOOR ENLARGED REMODEL PLUMBING SEWER WASTE AND VENT PIPING FLOOR PLAN
SCALE: 1/4" = 1'-0"
REFER TO DEMOLITION PLAN 4/P-3.00

REMODEL PLUMBING GENERAL NOTES:

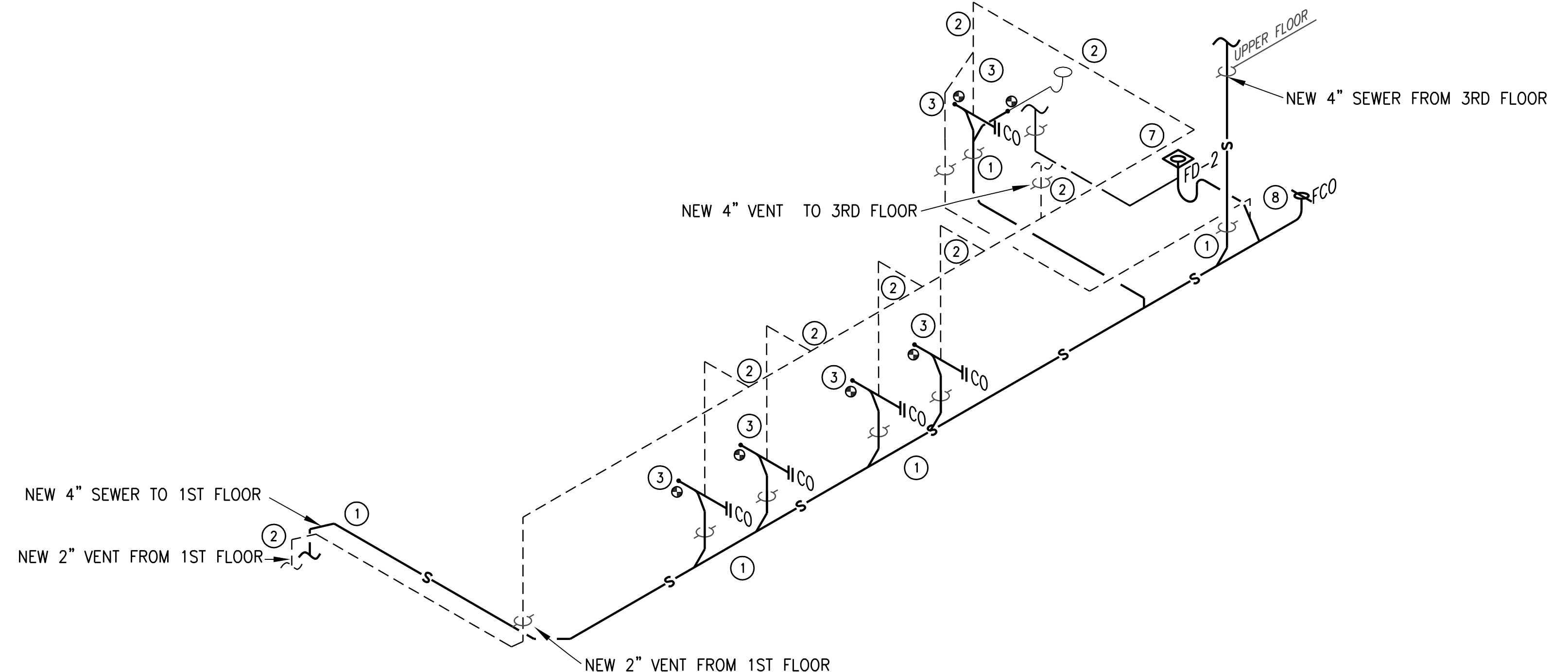
- 1 THE INTENT IS TO REMODEL REPLACEMENT OF THE SEWER AND VENTING SYSTEMS FOR THE FACILITY. THIS FACILITY IS A 24/7 SECURED OPERATION FACILITY. SO THE CONTRACTOR SHALL COORDINATE ALL DEMOLITION AND REMODEL WORK WITH THE DETENTION PERSONNEL.
- 2 SOME PLUMBING CHASES CONTAIN MECHANICAL DUCTWORK. THE CONTRACTOR SHALL COORDINATE THE INSTALLATION OF NEW SEWER AND VENT PIPING WITH THIS DUCTWORK.

REMODEL PLUMBING KEYED NOTES:

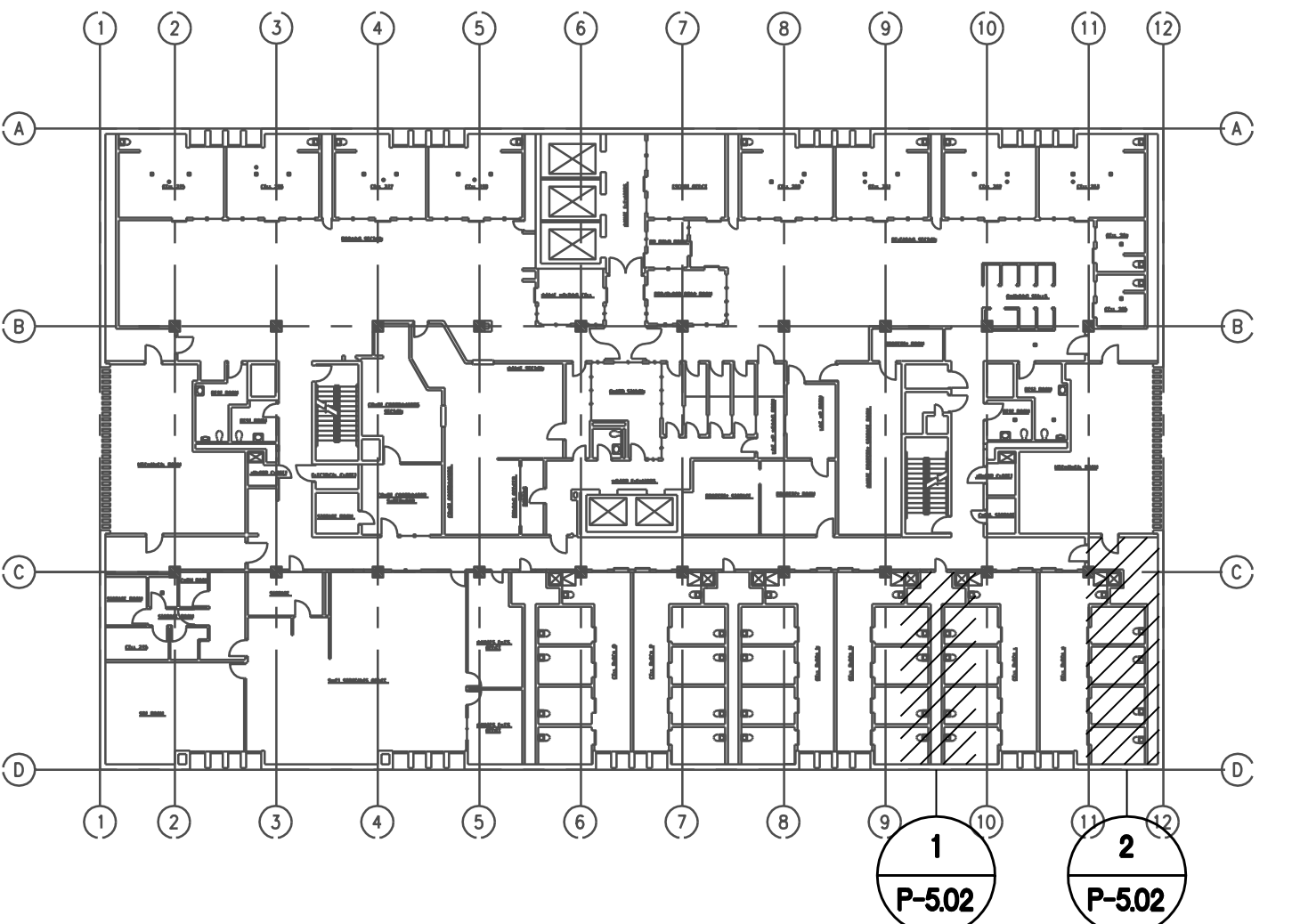
- 1 REPLACE EXISTING SEWER WITH NEW SEWER PIPING AT SIZE AS INDICATED INSTALL AND SUPPORT PIPING PER SCHEMATICS 8/P1.01, 9/P-1.01 AND 12/P-1.01.
- 2 REPLACE EXISTING VENT WITH NEW VENT PIPING AT SIZE AS INDICATED INSTALL AND SUPPORT PIPING PER SCHEMATICS 8/P1.01, 9/P-1.01 AND 12/P-1.01.
- 3 EXISTING SEWER AND VENT PIPING FROM STAND ALONE WC, FLOOR DRAINS, AND SHOWER ASSEMBLY FIXTURE IS TO REMAIN AND BE RECONNECTED TO THE NEW SEWER MAIN AT WALL/FLOOR PENETRATION AS INDICATED.
- 4 EXISTING FLOOR PENETRATION TO BE FILLED IN WITH CONCRETE TO SEAL THE OPENING.
- 5 NEW MAIN SEWER RISER PIPING IS TO REPLACE THE EXISTING RISER IN THE SAME PLACE IN CHASE TO BE INSTALLED IN SAME LOCATION OF EXISTING MAIN SEWER RISER PIPING, REFER TO SCHEMATIC 8/P-1.01 FOR FLOOR PENETRATION.
- 6 NEW MAIN VENT RISER PIPING IS TO REPLACE THE EXISTING RISER IN THE SAME PLACE IN CHASE TO BE INSTALLED IN SAME LOCATION OF EXISTING MAIN VENT RISER PIPING, REFER TO SCHEMATIC 8/P-1.01 FOR FLOOR PENETRATION.
- 7 NEW FLOOR DRAIN (FD-2) TO BE INSTALLED IN PLUMBING CHASE, REFER TO 11/P-1.01 FOR FURTHER INFORMATION.
- 8 NEW FLOOR CLEANOUT (FCO) TO BE INSTALLED PER SCHEMATIC 1/P-1.01.



3 SEWER WASTE AND VENT PIPING ISOMETRIC
SCALE: NONE
REFER TO 1/P-5.02 FOR FLOOR PLAN

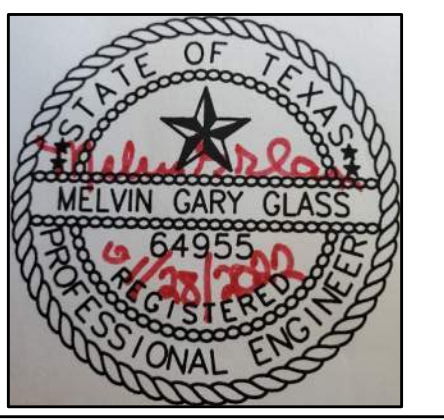


4 SEWER WASTE AND VENT PIPING ISOMETRIC
SCALE: NONE
REFER TO 2/P-5.02 FOR FLOOR PLAN



SECOND FLOOR KEY PLAN

THIS DOCUMENT, WHETHER IN HARD COPY OR MACHINE READABLE FORMAT, IS COPYRIGHTED AND AN INSTRUMENT OF SERVICES IN RESPECT TO THE PROJECT FOR WHICH IT WAS PREPARED. THIS DOCUMENT IS NOT INTENDED OR AUTHORIZED FOR REUSE BY ANY PARTY ON EXTENSIONS OF SUCH PROJECT OR ANY OTHER PROJECT. ANY REUSE, INCLUDING COPYING AND/OR MODIFYING THE DOCUMENT, WITHOUT WRITTEN PERMISSION FROM EMC ENGINEERS FOR THE SPECIFIC PURPOSE INTENDED IS A VIOLATION OF FEDERAL COPYRIGHT LAW. UNAUTHORIZED USE OF THIS MATERIAL MAY RESULT IN CIVIL AND/OR CRIMINAL PENALTIES.
COPY RIGHT 2013 EMC ENGINEERS.



THE SEAL APPEARING ON THIS DOCUMENT WAS AUTHORIZED BY MELVIN G. GLASS, P.E. #64935 OF EMC ENGINEERS (TEXAS FIRM REG. #24911) ON JANUARY 28, 2022. ANY ALTERATION OR ALTERATION OF A SEALED DOCUMENT WITHOUT PROPER NOTIFICATION TO THE RESPONSIBLE ENGINEER IS AN OFFENSE UNDER THE TEXAS ENGINEERING PRACTICE ACT.

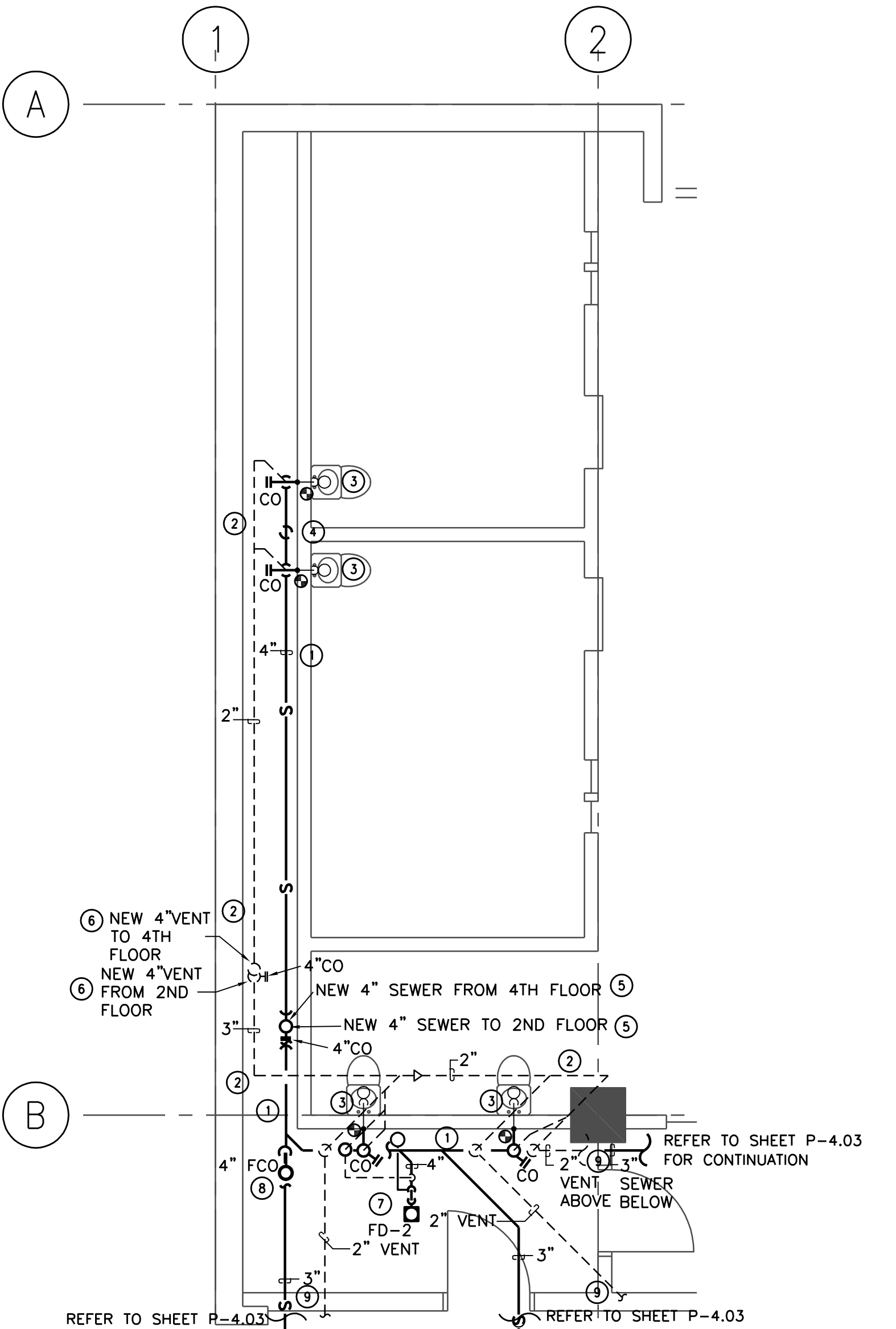
Project:	UPGRADE AND REPLACE THE SANITARY SEWER SYSTEM AT THE EL PASO COUNTY DETENTION FACILITY
Location:	601 E OVERLAND STREET EL PASO, TEXAS
Job Number:	ETC-2108022
Date:	11/23/2021
Scale:	AS SHOWN
Sheet:	P-5.03
5B of:	X

REMODEL PLUMBING GENERAL NOTES:

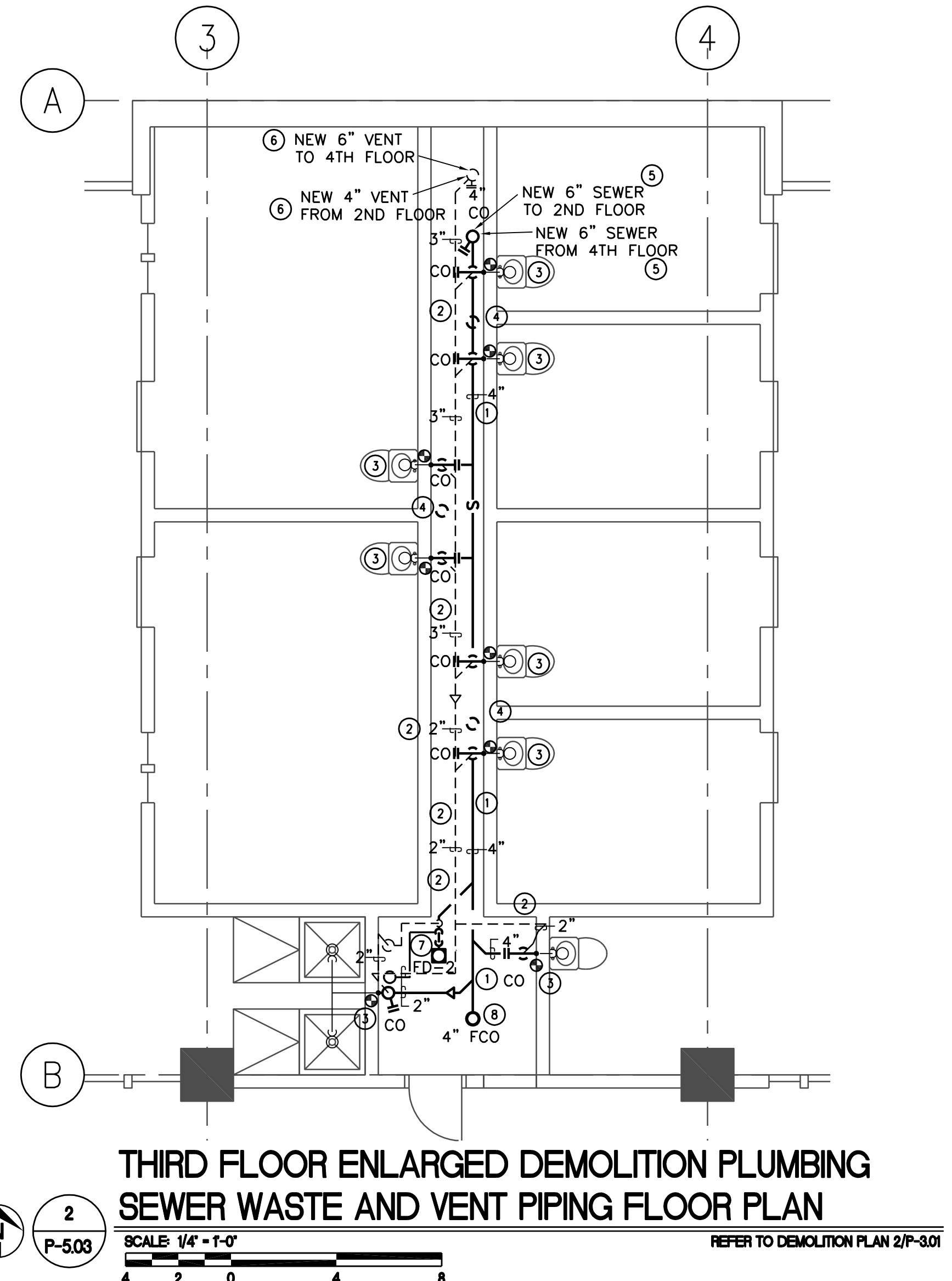
- 1 THE INTENT IS TO REMODEL REPLACEMENT OF THE SEWER AND VENTING SYSTEMS FOR THE FACILITY. THIS FACILITY IS A 24/7 SECURED OPERATION FACILITY. SO THE CONTRACTOR SHALL COORDINATE ALL DEMOLITION AND REMODEL WORK WITH THE DETENTION PERSONNEL.
- 2 SOME PLUMBING CHASES CONTAIN MECHANICAL DUCTWORK. THE CONTRACTOR SHALL COORDINATE THE INSTALLATION OF NEW SEWER AND VENT PIPING WITH THIS DUCTWORK.

REMODEL PLUMBING KEYED NOTES:

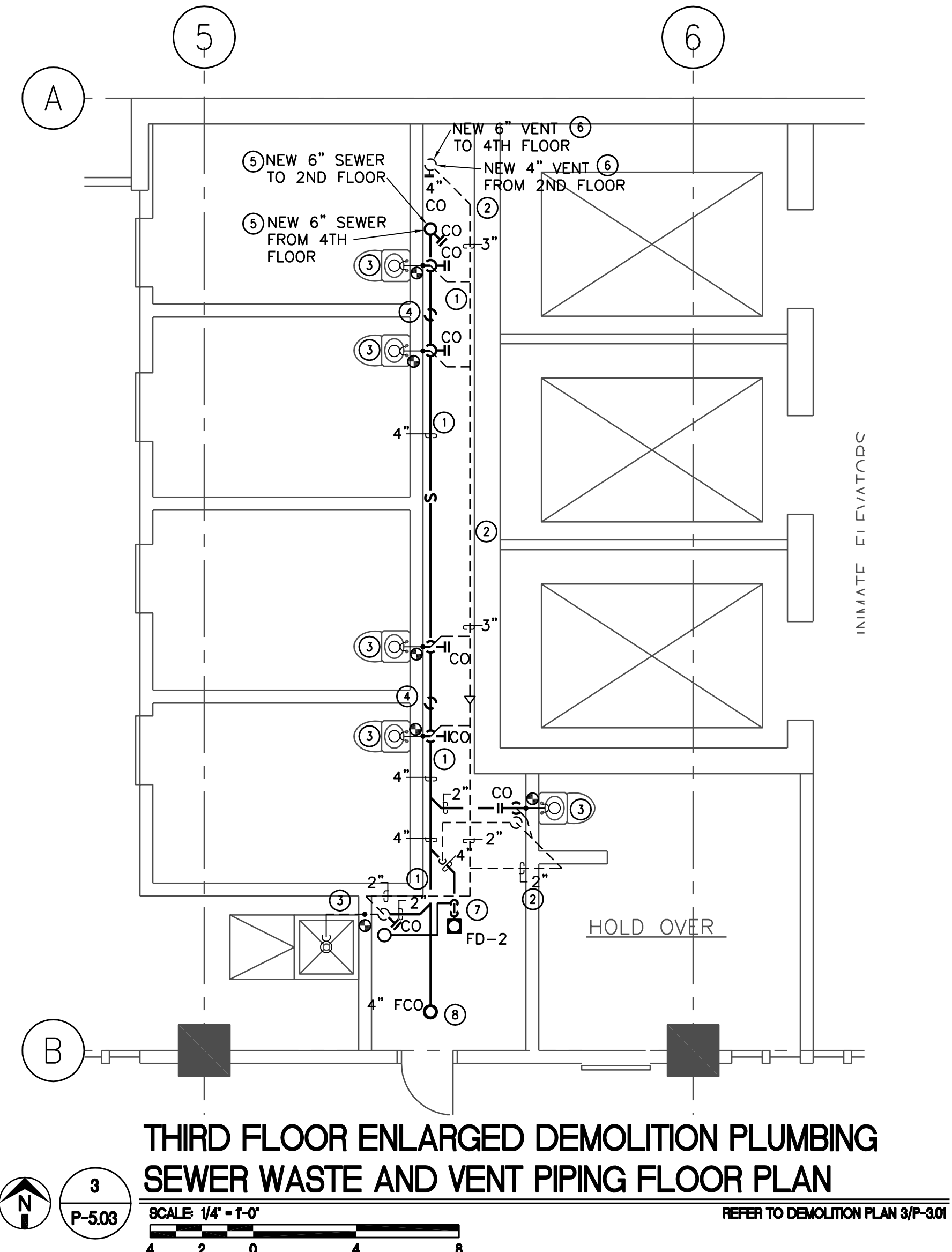
- 1 REPLACE EXISTING SEWER WITH NEW SEWER PIPING AT SIZE AS INDICATED. INSTALL AND SUPPORT PIPING PER SCHEMATICS 8/P-1.01, 9/P-1.01 AND 12/P-1.01.
- 2 REPLACE EXISTING VENT WITH NEW VENT PIPING AT SIZE AS INDICATED. INSTALL AND SUPPORT PIPING PER SCHEMATICS 8/P-1.01, 9/P-1.01 AND 12/P-1.01.
- 3 EXISTING SEWER AND VENT PIPING FROM STAND ALONE WC, FLOOR DRAINS, AND SHOWER ASSEMBLIES FIXTURE IS TO REMAIN AND BE RECONNECTED TO THE NEW SEWER MAIN AT WALL/FLOOR PENETRATION AS INDICATED.
- 4 EXISTING FLOOR PENETRATION TO BE FILLED IN WITH CONCRETE TO SEAL THE OPENING.
- 5 NEW MAIN SEWER RISER PIPING IS TO REPLACE THE EXISTING RISER IN THE SAME PLACE IN CHASE TO BE INSTALLED IN SAME LOCATION OF EXISTING MAIN SEWER RISER PIPING. REFER TO SCHEMATIC 8/P-1.01 FOR FLOOR PENETRATION.
- 6 NEW MAIN VENT RISER PIPING IS TO REPLACE THE EXISTING RISER IN THE SAME PLACE IN CHASE TO BE INSTALLED IN SAME LOCATION OF EXISTING MAIN VENT RISER PIPING. REFER TO SCHEMATIC 8/P-1.01 FOR FLOOR PENETRATION.
- 7 NEW FLOOR DRAIN (FD-2) TO BE INSTALLED IN PLUMBING CHASE. REFER TO 11/P-1.01 FOR FURTHER INFORMATION.
- 8 NEW FLOOR CLEANOUT (FCO) TO BE INSTALLED PER SCHEMATIC 1/P-1.01.
- 9 PIPING PENETRATION WALL PER SCHEMATIC 7/P-1.01.



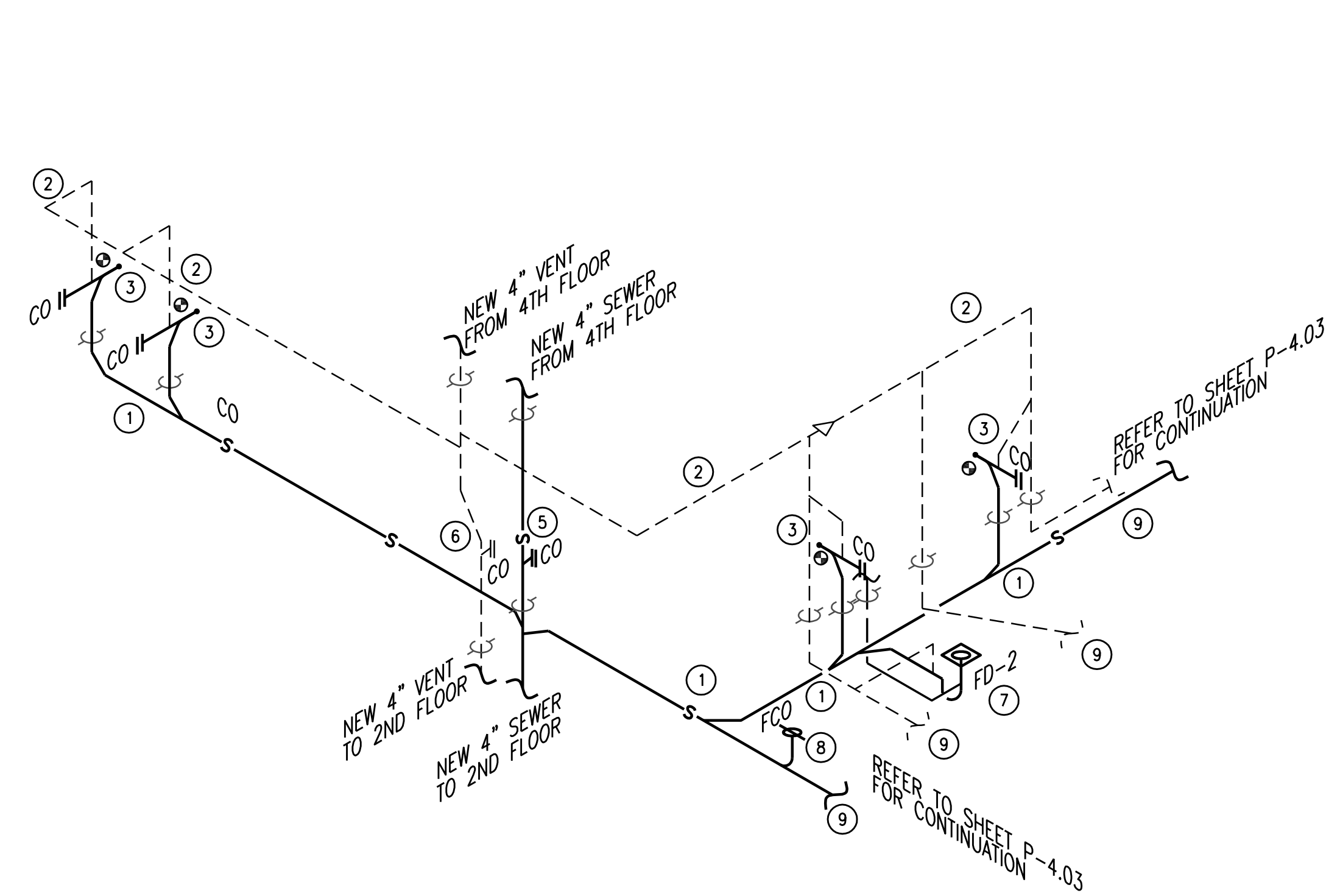
THIRD FLOOR ENLARGED DEMOLITION PLUMBING SEWER WASTE AND VENT PIPING FLOOR PLAN
 SCALE: 1/4" = 1'-0"
 REFER TO DEMOLITION PLAN 1/P-5.03



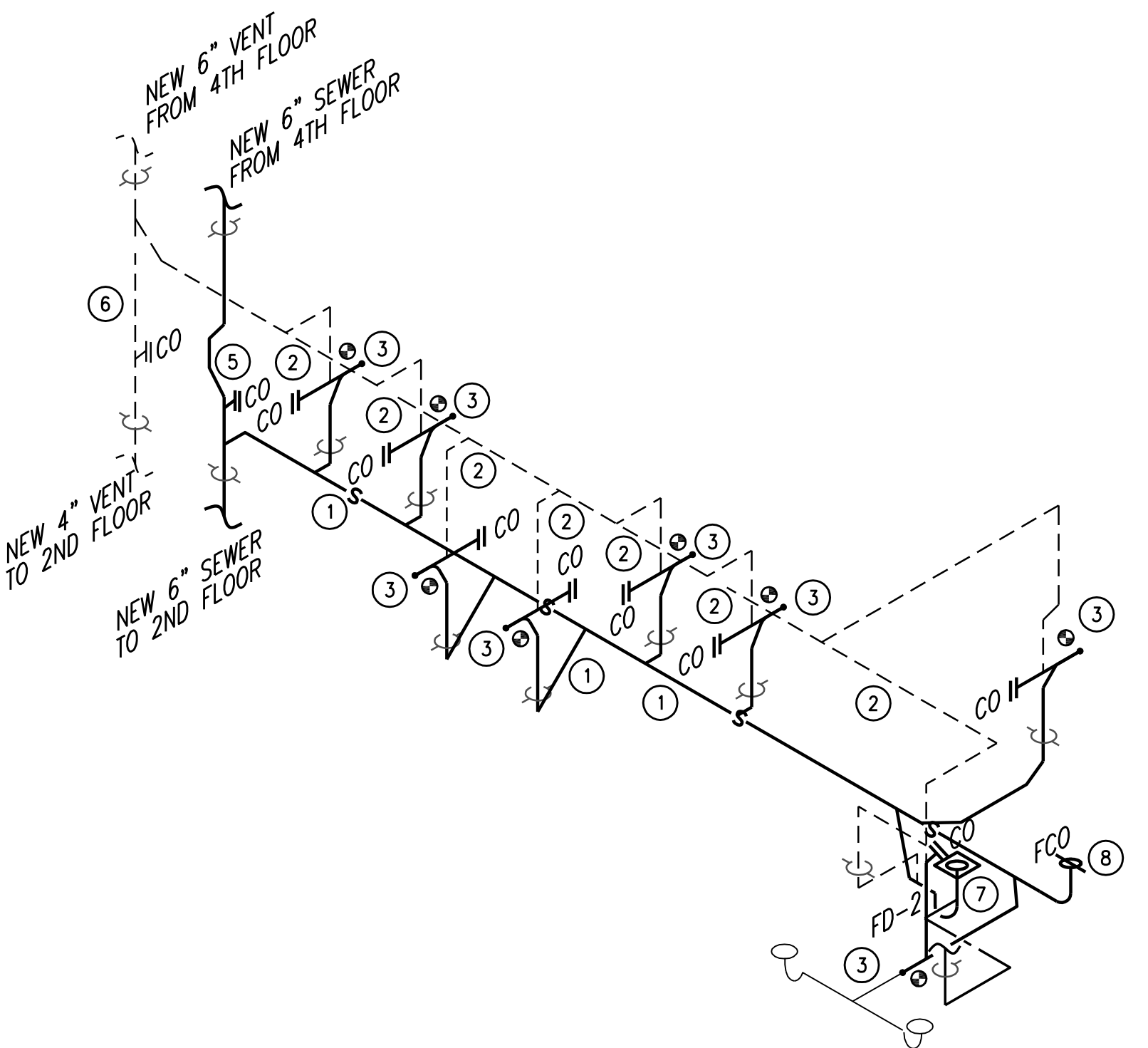
THIRD FLOOR ENLARGED DEMOLITION PLUMBING SEWER WASTE AND VENT PIPING FLOOR PLAN
 SCALE: 1/4" = 1'-0"
 REFER TO DEMOLITION PLAN 2/P-5.03



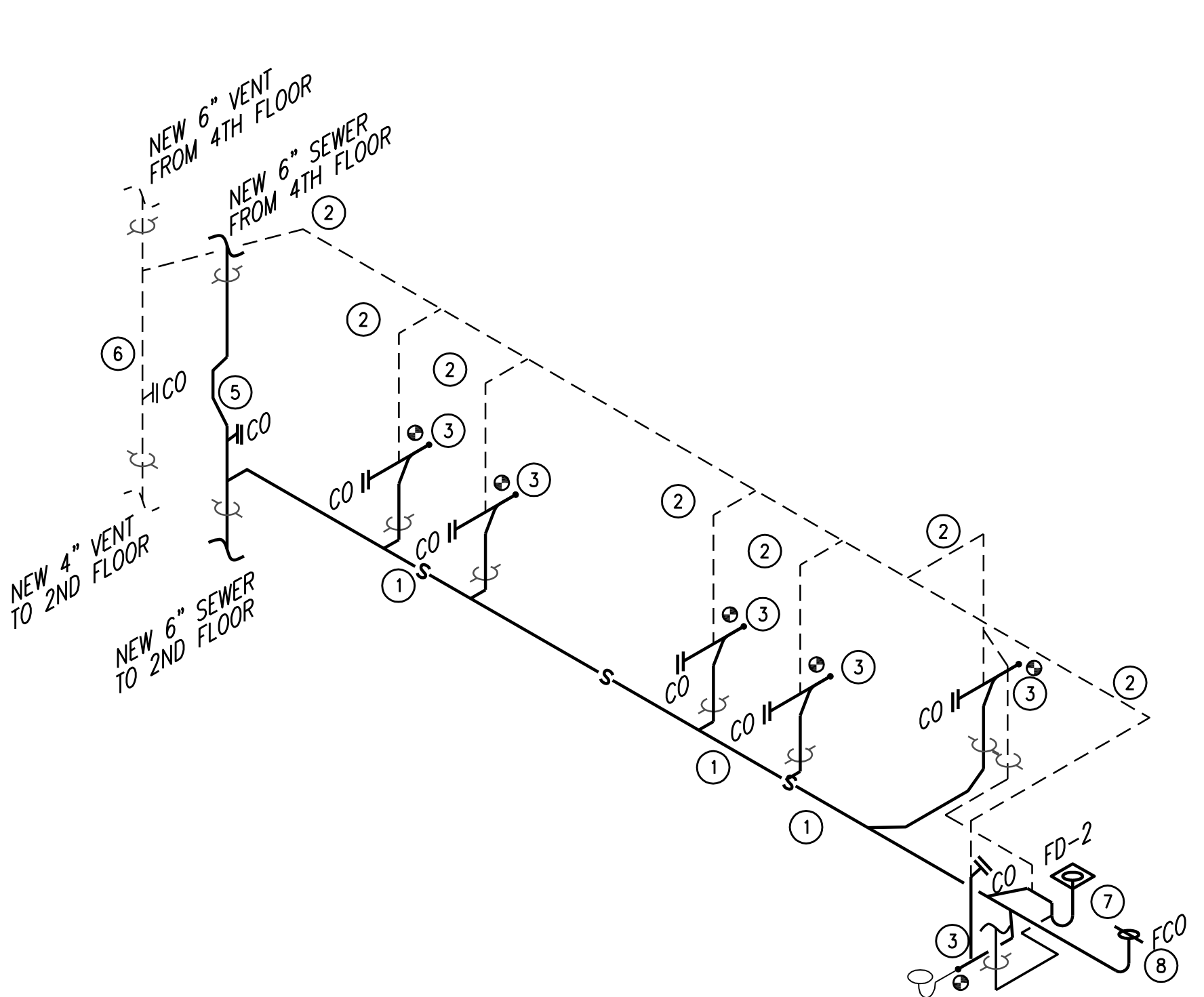
THIRD FLOOR ENLARGED DEMOLITION PLUMBING SEWER WASTE AND VENT PIPING FLOOR PLAN
 SCALE: 1/4" = 1'-0"
 REFER TO DEMOLITION PLAN 3/P-5.03



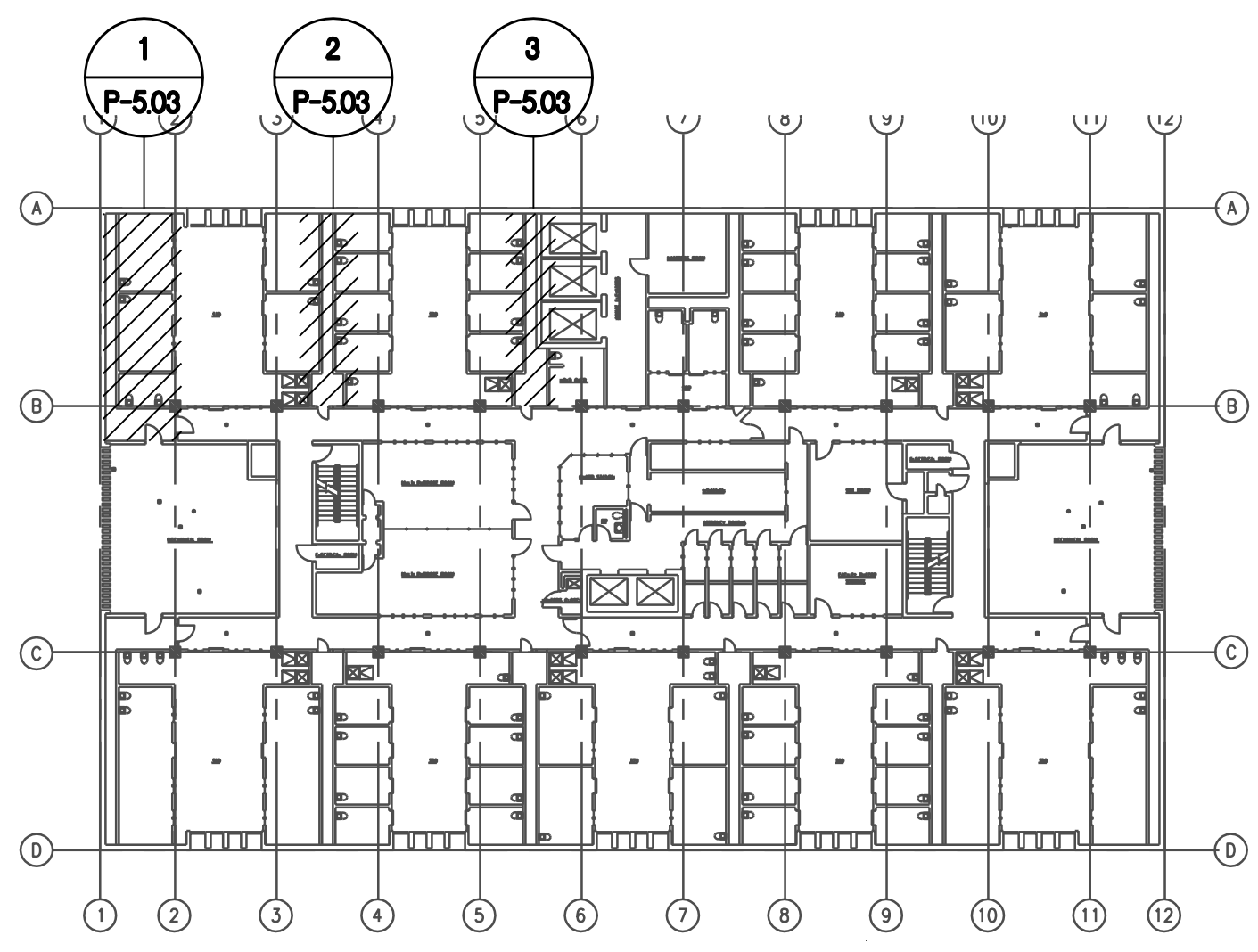
SEWER WASTE AND VENT PIPING ISOMETRIC
 SCALE: NONE
 REFER TO 1/P-5.03 FOR FLOOR PLAN



SEWER WASTE AND VENT PIPING ISOMETRIC
 SCALE: NONE
 REFER TO 2/P-5.03 FOR FLOOR PLAN

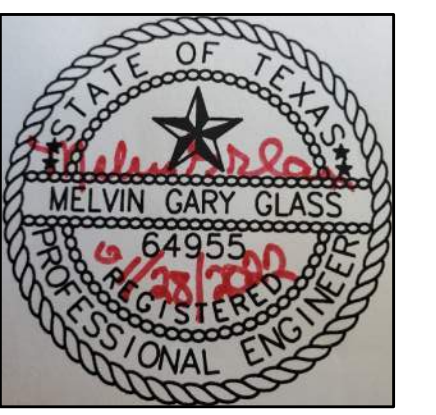


SEWER WASTE AND VENT PIPING ISOMETRIC
 SCALE: NONE
 REFER TO 3/P-5.03 FOR FLOOR PLAN

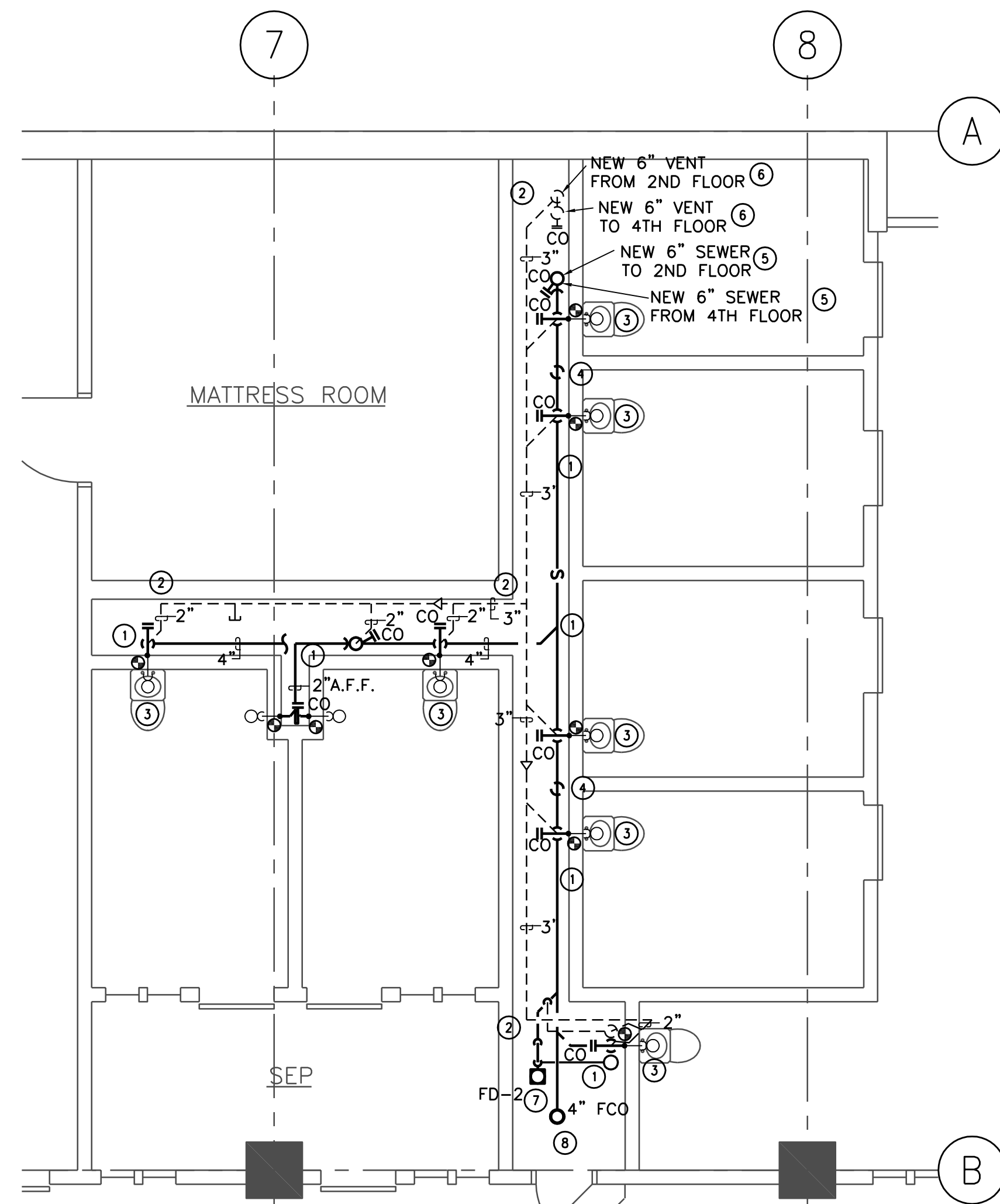


THIRD FLOOR KEY PLAN

THIS DOCUMENT, WHETHER IN HARD COPY OR MACHINE READABLE FORMAT, IS COPYRIGHTED AND AN INSTRUMENT OF SERVICES IN RESPECT TO THE PROJECT FOR WHICH IT WAS PREPARED. THIS DOCUMENT IS NOT INTENDED OR AUTHORIZED FOR REUSE BY ANY PARTY ON EXTENSIONS OF SUCH PROJECT OR ANY OTHER PROJECT AND REUSE, INCLUDING COPYING AND/OR MODIFYING THE DOCUMENT, WITHOUT WRITTEN PERMISSION FROM EMC ENGINEERS FOR THE SPECIFIC PURPOSE INTENDED IS A VIOLATION OF FEDERAL COPYRIGHT LAW. UNAUTHORIZED USE OF THIS MATERIAL MAY RESULT IN CIVIL AND/OR CRIMINAL PENALTIES.
 COPY RIGHT 2013 EMC ENGINEERS.

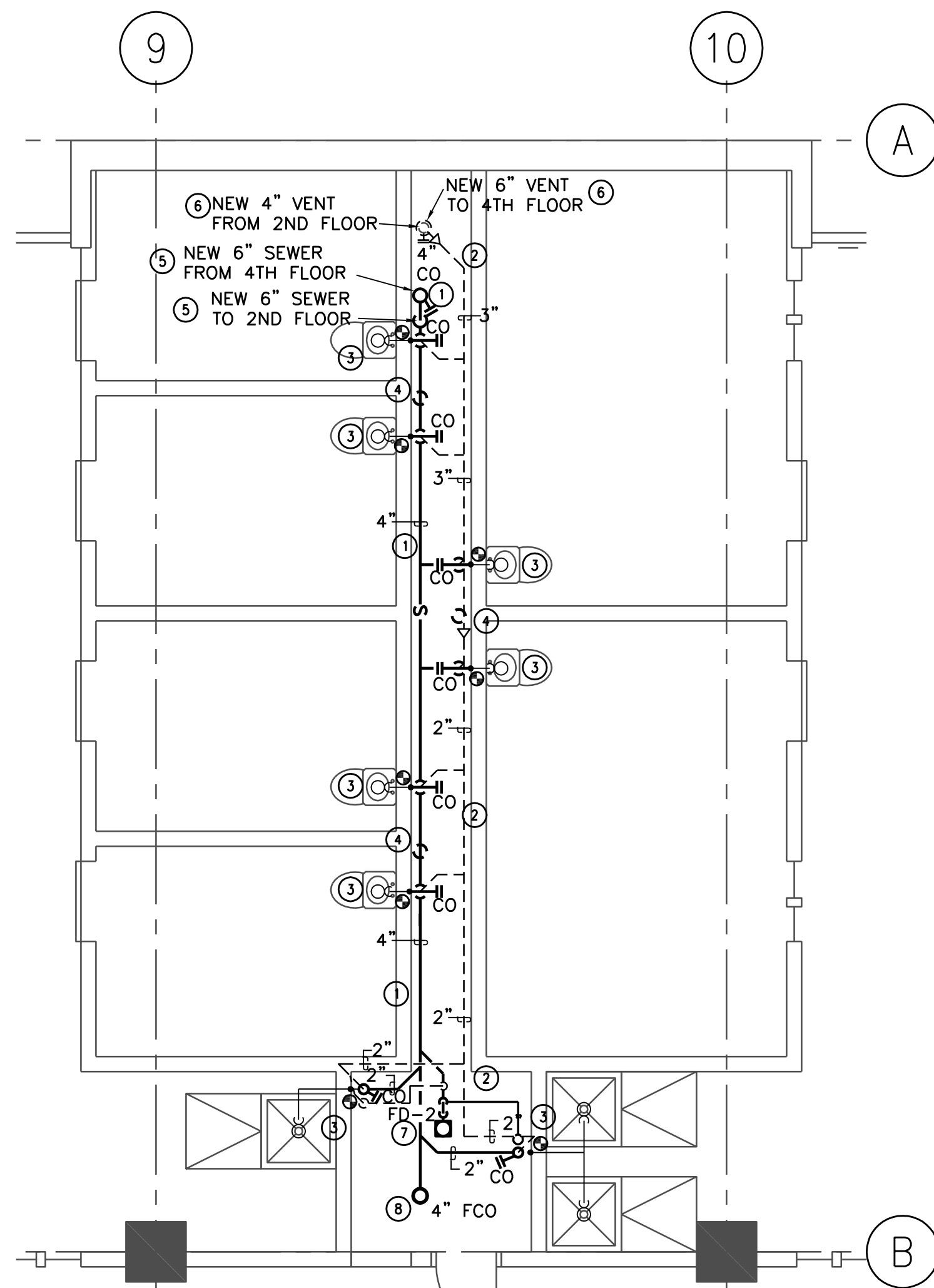


THE SEAL APPEARING ON THIS DOCUMENT WAS AUTHORIZED BY MELVIN G. GLASS, P.E. #64935 OF EMC ENGINEERS (TEXAS FIRM REG. #2491) ON JANUARY 28, 2022. ANY ALTERATION OF A SEALED DOCUMENT WITHOUT PROPER NOTIFICATION TO THE RESPONSIBLE ENGINEER IS AN OFFENSE UNDER THE TEXAS ENGINEERING PRACTICE ACT.



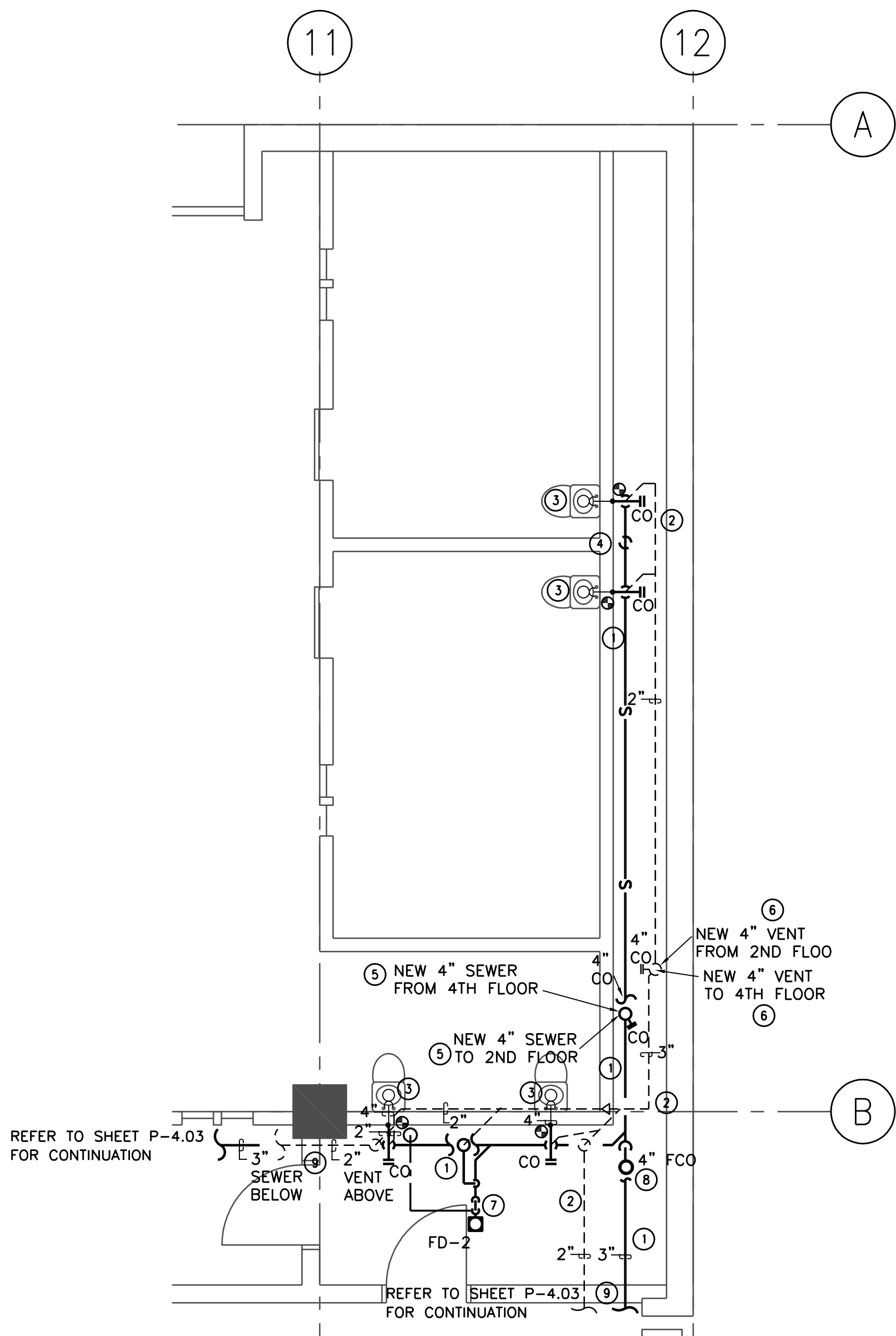
THIRD FLOOR ENLARGED REMODEL PLUMBING SEWER WASTE AND VENT PIPING FLOOR PLAN

1
P-504
SCALE: 1/4" = 1'-0"
REFER TO DEMOLITION PLAN 4/P-301



THIRD FLOOR ENLARGED REMODEL PLUMBING SEWER WASTE AND VENT PIPING FLOOR PLAN

2
P-504
SCALE: 1/4" = 1'-0"
REFER TO DEMOLITION PLAN 5/P-301



THIRD FLOOR ENLARGED REMODEL PLUMBING SEWER WASTE AND VENT PIPING FLOOR PLAN

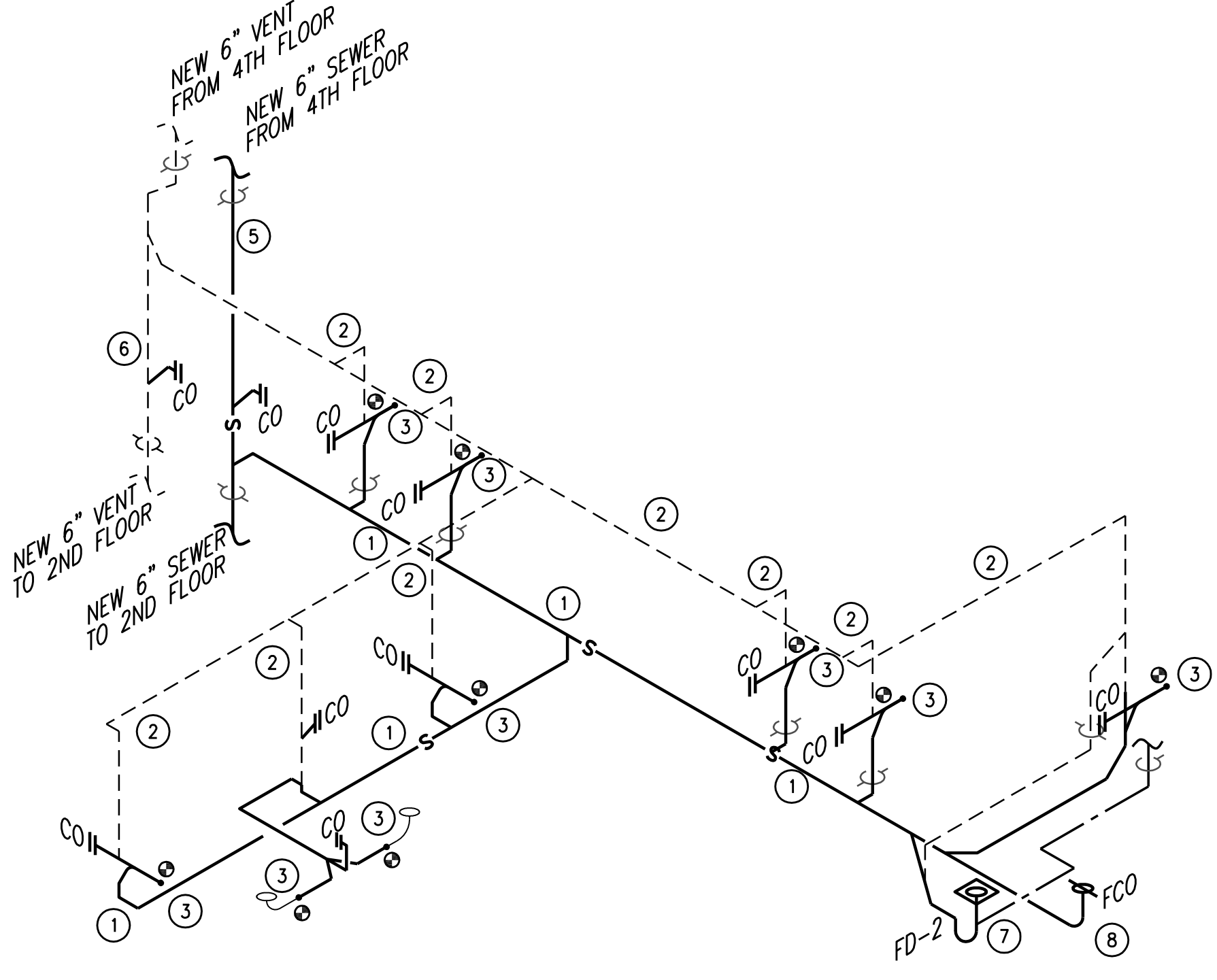
3
P-504
SCALE: 1/4" = 1'-0"
REFER TO DEMOLITION PLAN 6/P-301

REMODEL PLUMBING GENERAL NOTES:

- 1 THE INTENT IS TO REMODEL REPLACEMENT OF THE SEWER AND VENTING SYSTEMS FOR THE FACILITY. THIS FACILITY IS A 24/7 SECURED OPERATION FACILITY. SO THE CONTRACTOR SHALL COORDINATE ALL DEMOLITION AND REMODEL WORK WITH THE DETENTION PERSONNEL.
- 2 SOME PLUMBING CHASES CONTAIN MECHANICAL DUCTWORK. THE CONTRACTOR SHALL COORDINATE THE INSTALLATION OF NEW SEWER AND VENT PIPING WITH THIS DUCTWORK.

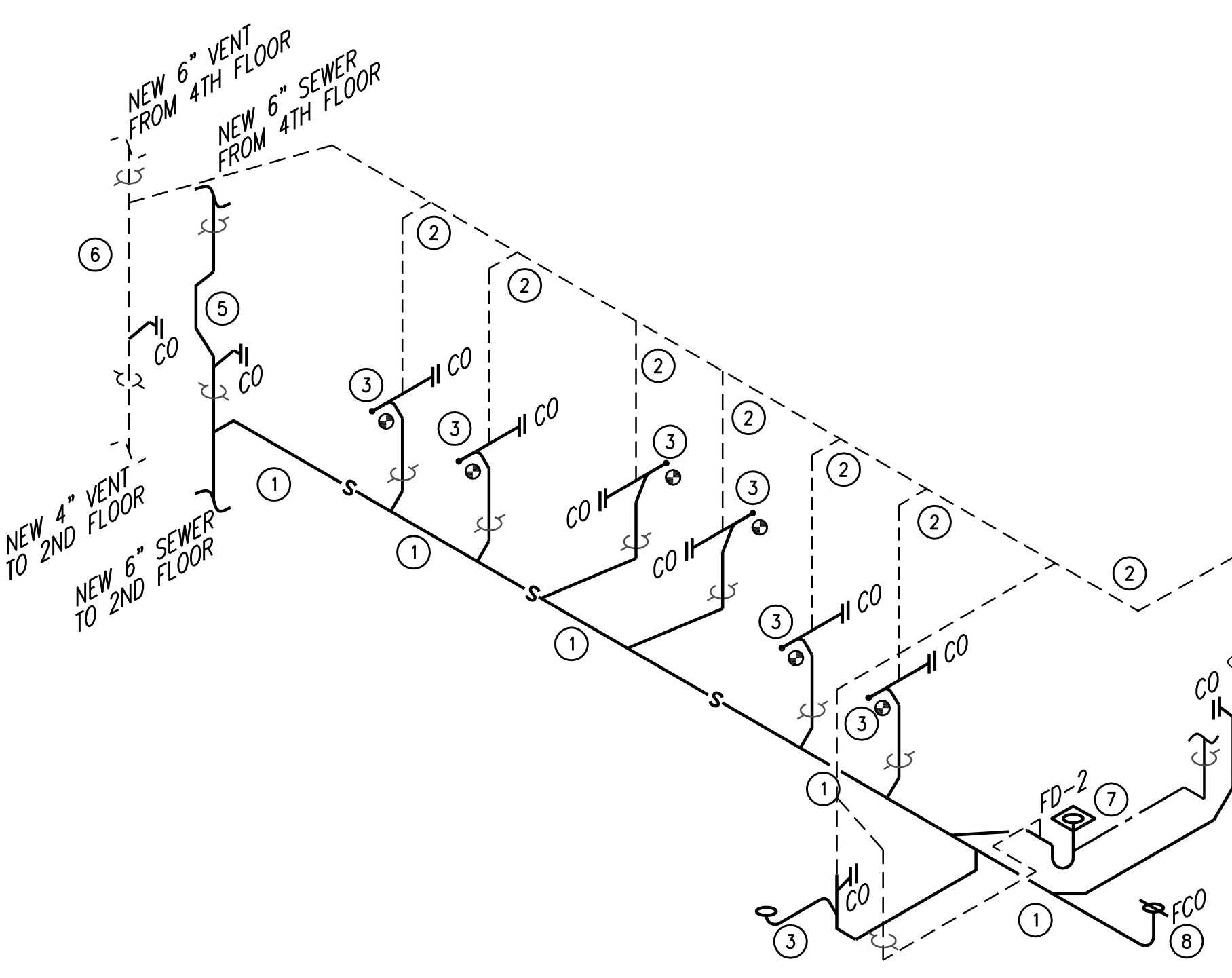
REMODEL PLUMBING KEYED NOTES:

- 1 REPLACE EXISTING SEWER WITH NEW SEWER PIPING AT SIZE AS INDICATED INSTALL AND SUPPORT PIPING PER SCHEMATICS 8/P1.01, 9/P-1.01 AND 12/P-1.01.
- 2 REPLACE EXISTING VENT WITH NEW VENT PIPING AT SIZE AS INDICATED INSTALL AND SUPPORT PIPING PER SCHEMATICS 8/P1.01, 9/P-1.01 AND 12/P-1.01.
- 3 EXISTING SEWER AND VENT PIPING FROM STAND ALONE WC, FLOOR DRAINS, AND SHOWER ASSEMBLES FIXTURE IS TO REMAIN AND BE RECONNECTED TO THE NEW SEWER MAIN AT WALL/FLOOR PENETRATION AS INDICATED.
- 4 EXISTING FLOOR PENETRATION TO BE FILLED IN WITH CONCRETE TO SEAL THE OPENING.
- 5 NEW MAIN SEWER RISER PIPING IS TO REPLACE THE EXISTING RISER IN THE SAME PLACE IN CHASE TO BE INSTALLED IN SAME LOCATION OF EXISTING MAIN SEWER RISER PIPING, REFER TO SCHEMATIC 8/P-1.01 FOR FLOOR PENETRATION.
- 6 NEW MAIN VENT RISER PIPING IS TO REPLACE THE EXISTING RISER IN THE SAME PLACE IN CHASE TO BE INSTALLED IN SAME LOCATION OF EXISTING MAIN VENT RISER PIPING, REFER TO SCHEMATIC 8/P-1.01 FOR FLOOR PENETRATION.
- 7 NEW FLOOR DRAIN (FD-2) TO BE INSTALLED IN PLUMBING CHASE, REFER TO 11/P-1.01 FOR FURTHER INFORMATION.
- 8 NEW FLOOR CLEANOUT (FCO) TO BE INSTALLED PER SCHEMATIC 1/P-1.01.
- 9 PIPING PENETRATION WALL PER SCHEMATIC 7/P1.01.



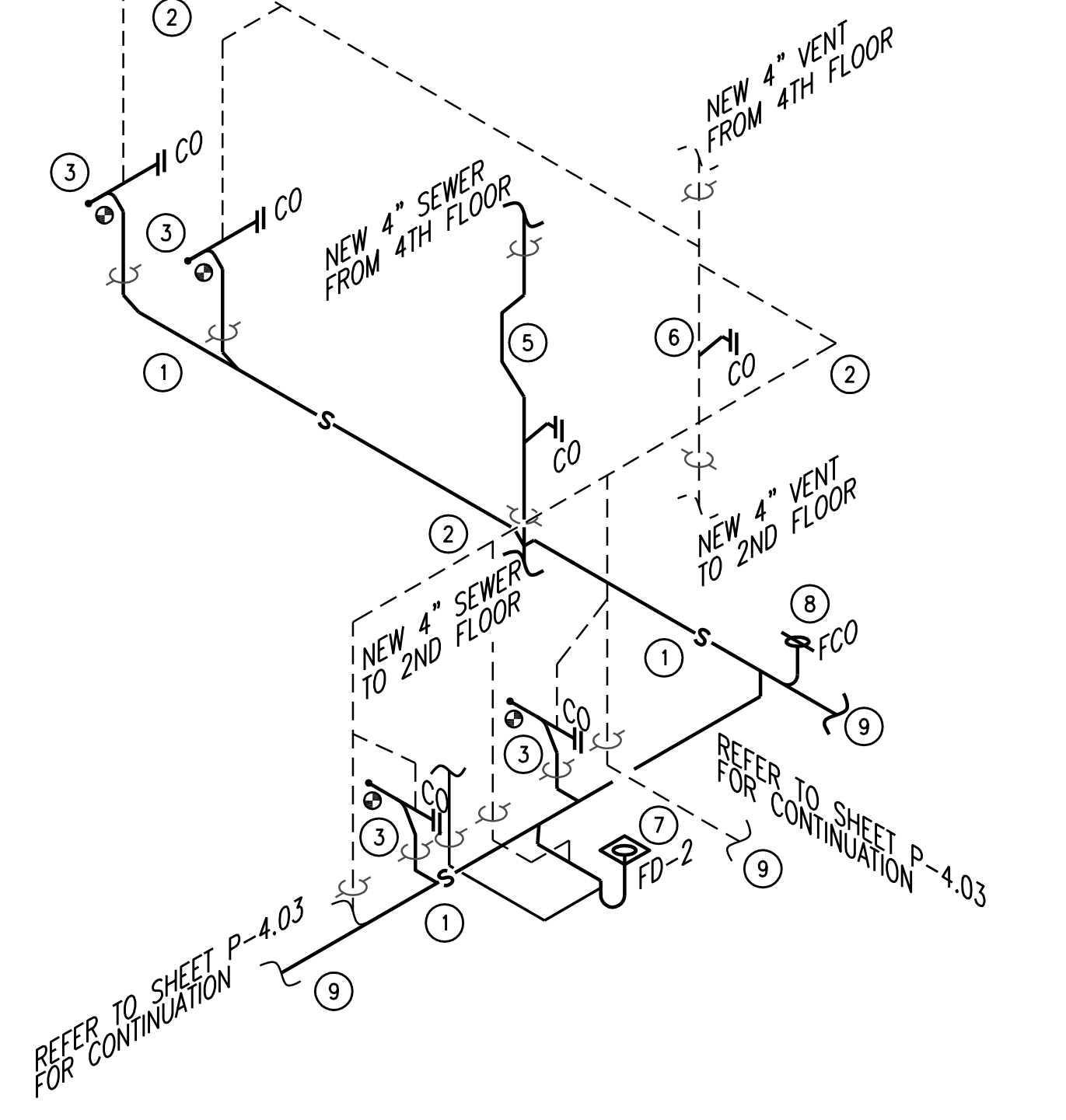
SEWER WASTE AND VENT PIPING ISOMETRIC

4
P-504
SCALE: NONE
REFER TO VP-504 FOR FLOOR PLAN



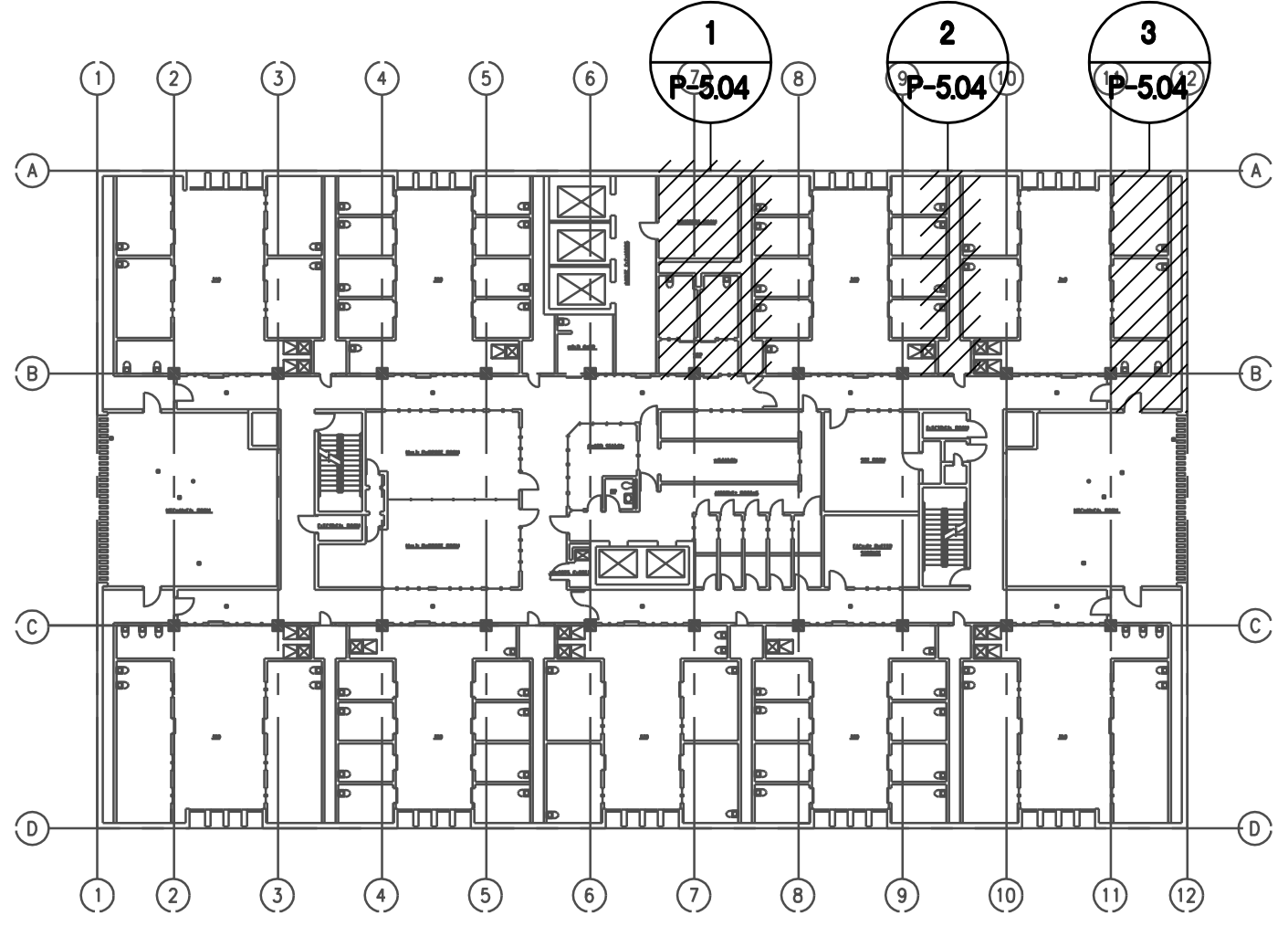
SEWER WASTE AND VENT PIPING ISOMETRIC

5
P-504
SCALE: NONE
REFER TO VP-504 FOR FLOOR PLAN



SEWER WASTE AND VENT PIPING ISOMETRIC

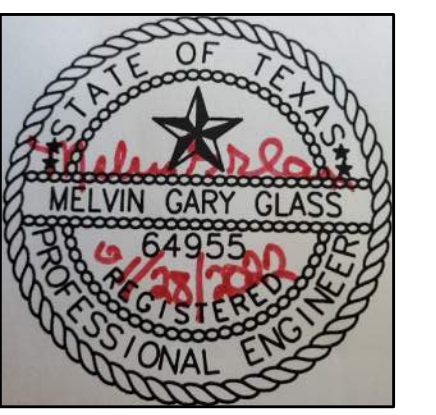
6
P-504
SCALE: NONE
REFER TO VP-504 FOR FLOOR PLAN



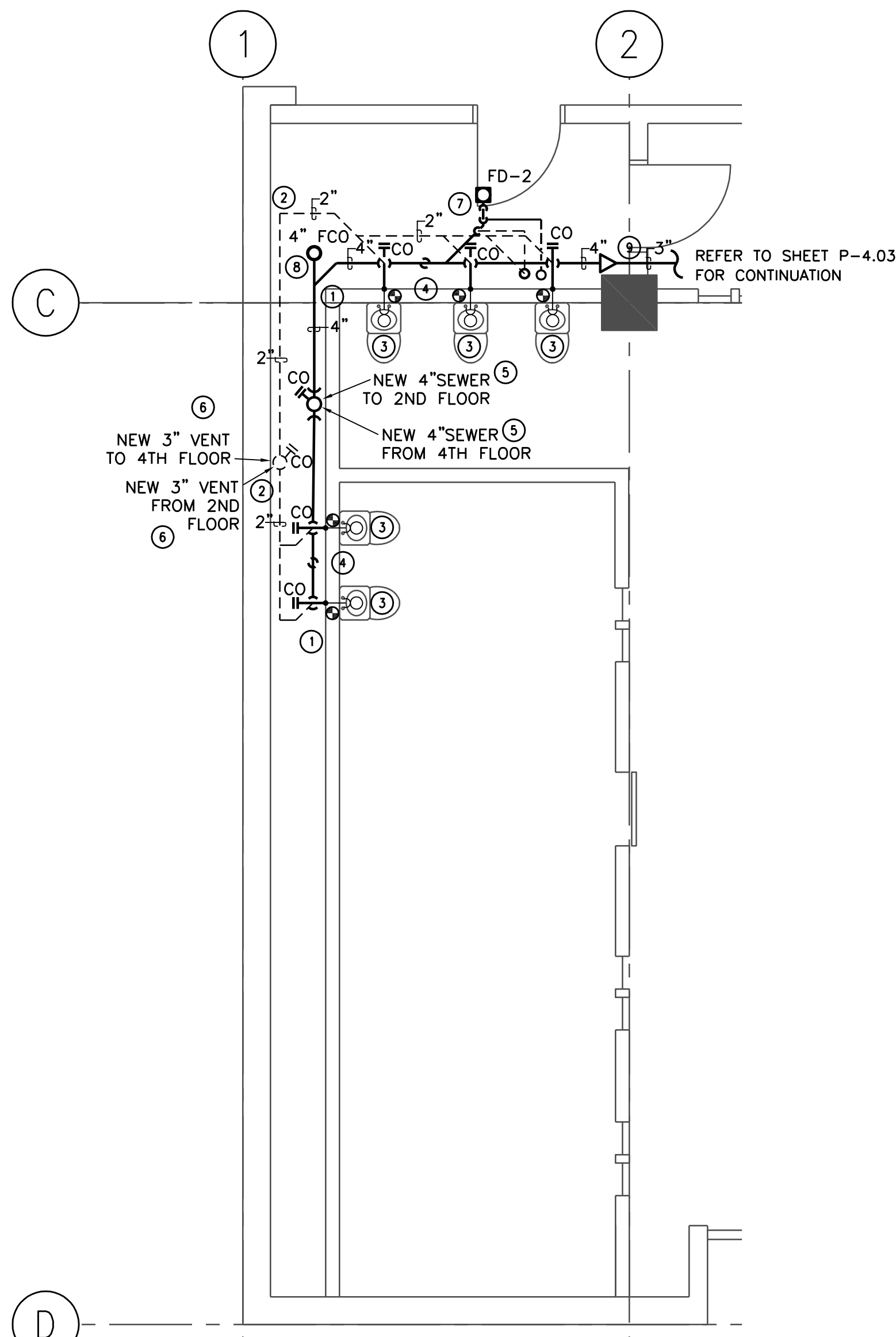
ELEVENTH FLOOR KEY PLAN

THIS DOCUMENT, WHETHER IN HARD COPY OR MACHINE READABLE FORMAT, IS COPYRIGHTED AND AN INSTRUMENT OF SERVICES IN RESPECT TO THE PROJECT FOR WHICH IT WAS PREPARED. THIS DOCUMENT IS NOT INTENDED OR AUTHORIZED FOR REUSE BY ANY PARTY ON EXTENSIONS OF SUCH PROJECT OR ANY OTHER PROJECT. ANY REUSE, INCLUDING COPYING AND/OR MODIFYING THE DOCUMENT, WITHOUT WRITTEN PERMISSION FROM EMC ENGINEERS FOR THE SPECIFIC PURPOSE INTENDED IS A VIOLATION OF FEDERAL COPYRIGHT LAW. UNAUTHORIZED USE OF THIS MATERIAL MAY RESULT IN CIVIL AND/OR CRIMINAL PENALTIES.
COPY RIGHT 2013 EMC ENGINEERS.

Project:	UPGRADE AND REPLACE THE SANITARY SEWER SYSTEM AT THE EL PASO COUNTY DETENTION FACILITY
Location:	601 E OVERLAND STREET EL PASO, TEXAS
Job Number:	ETC-2108022
Date:	11/23/2021
Scale:	AS SHOWN
Sheet:	P-5.04
59 of: X	

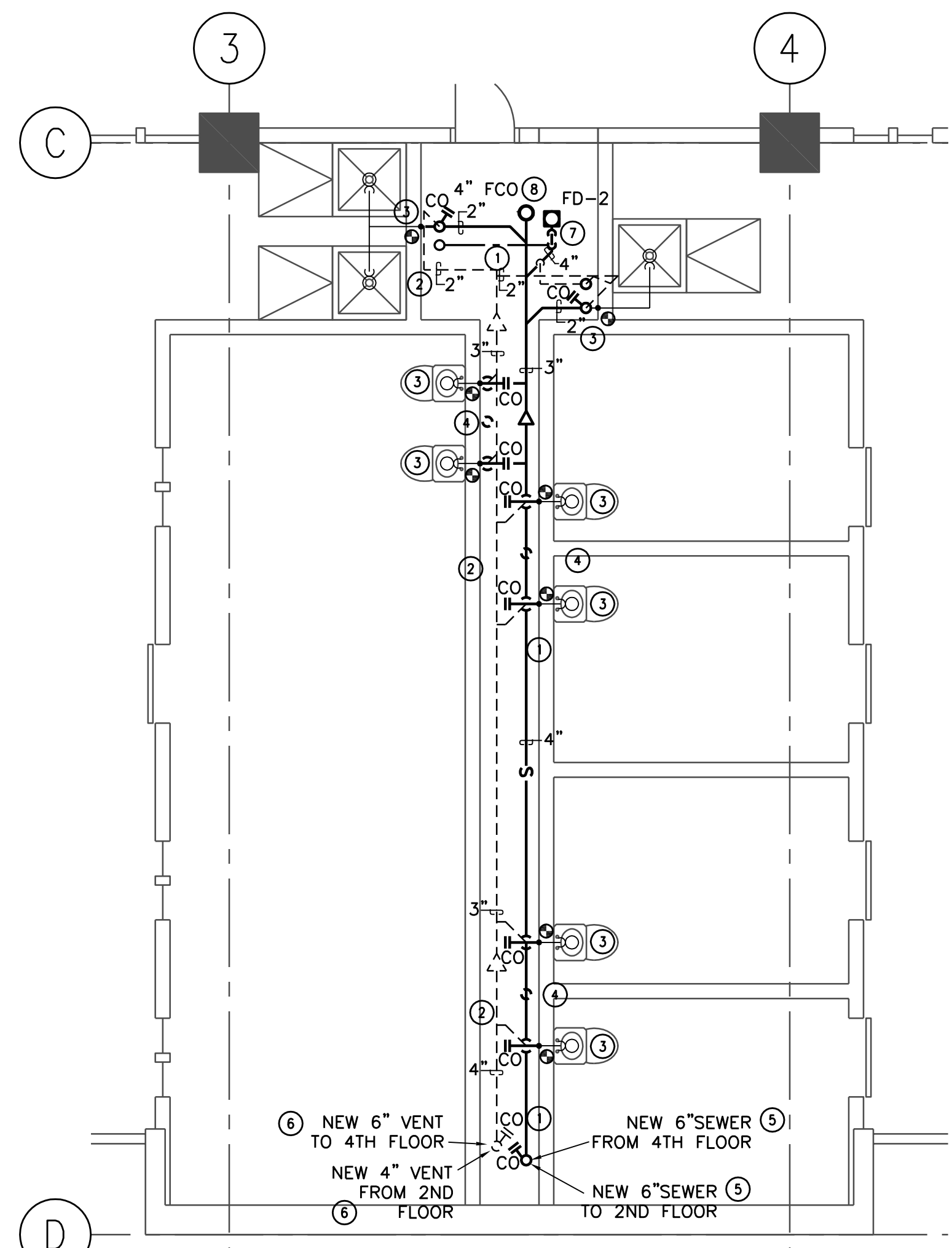


THE SEAL APPEARING ON THIS DOCUMENT WAS AUTHORIZED BY MELVIN G. GLASS, P.E. #64935 OF EMC ENGINEERS (TEAMS FIRM REG. #24941) ON JANUARY 28, 2022. ANY ALTERATION OF THIS SEAL WITHOUT PROPER NOTIFICATION TO THE RESPONSIBLE ENGINEER IS AN OFFENSE UNDER THE TEXAS ENGINEERING PRACTICE ACT.



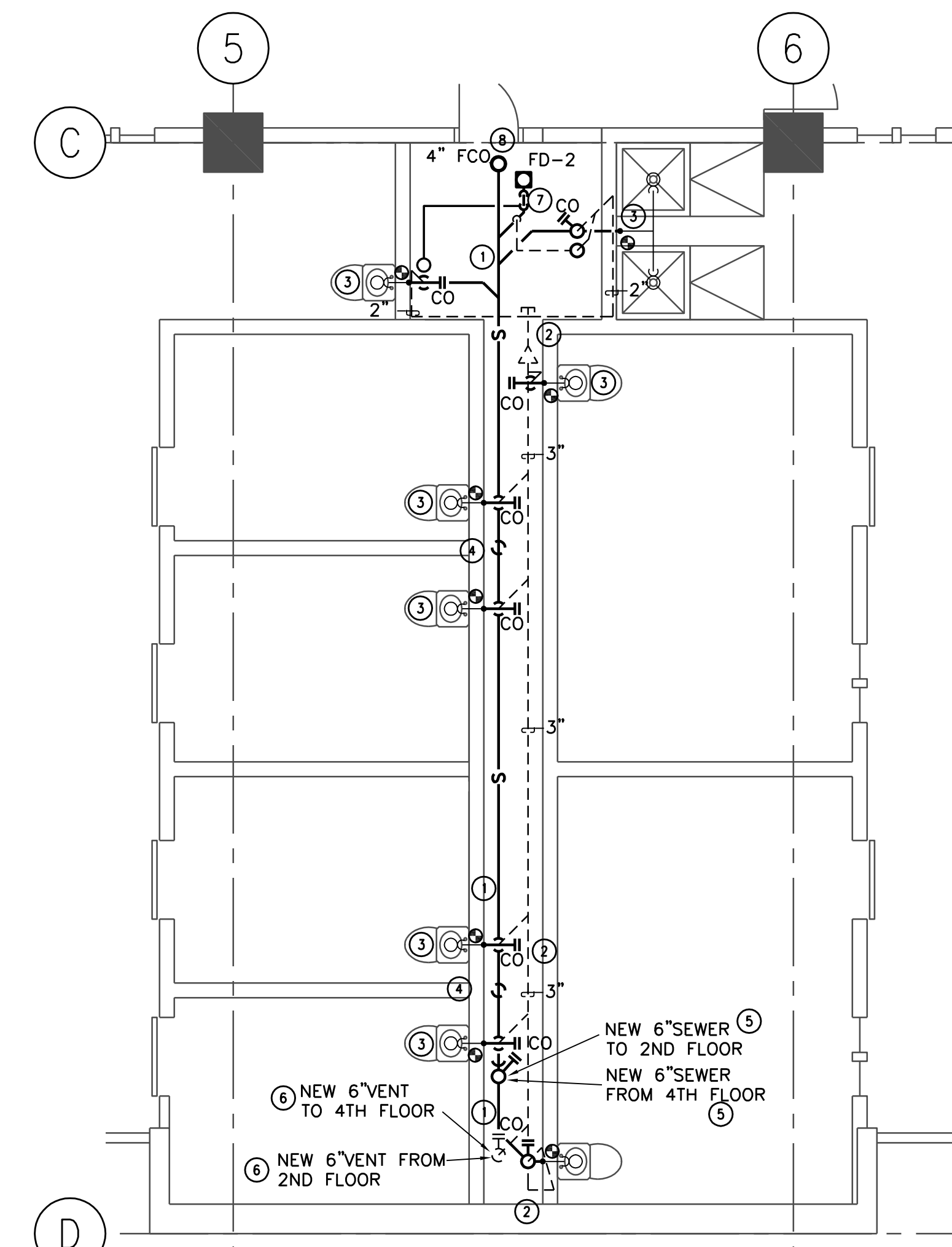
THIRD FLOOR ENLARGED REMODEL PLUMBING SEWER WASTE AND VENT PIPING FLOOR PLAN

1 P-505 SCALE: 1/4" = 1'-0" REFER TO DEMOLITION PLAN 1/P-302



THIRD FLOOR ENLARGED REMODEL PLUMBING SEWER WASTE AND VENT PIPING FLOOR PLAN

2 P-505 SCALE: 1/4" = 1'-0" REFER TO DEMOLITION PLAN 2/P-302



THIRD FLOOR ENLARGED REMODEL PLUMBING SEWER WASTE AND VENT PIPING FLOOR PLAN

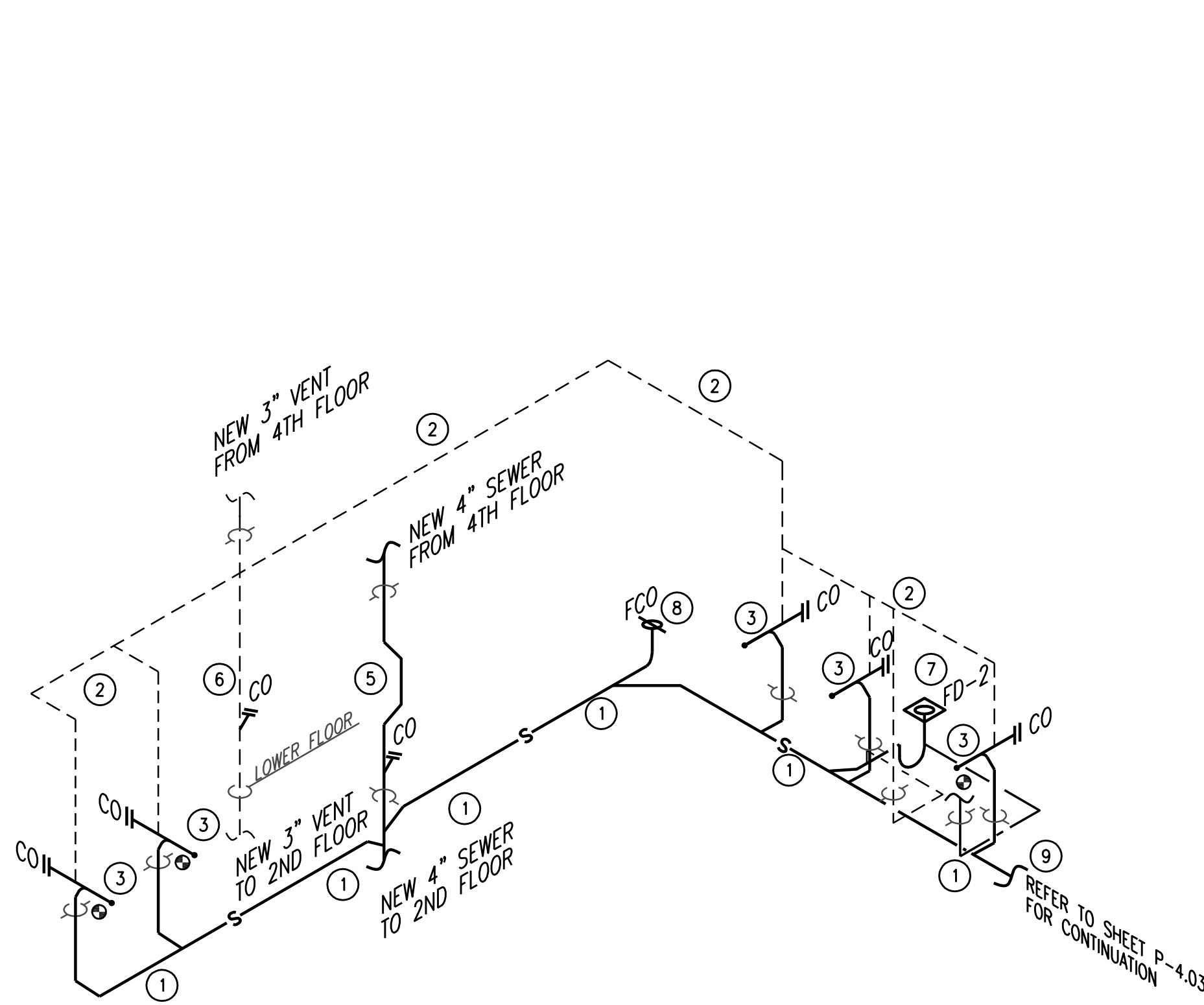
3 P-505 SCALE: 1/4" = 1'-0" REFER TO DEMOLITION PLAN 3/P-302

REMODEL PLUMBING GENERAL NOTES:

- THE INTENT IS TO REMODEL REPLACEMENT OF THE SEWER AND VENTING SYSTEMS FOR THE FACILITY. THIS FACILITY IS A 24/7 SECURED OPERATION FACILITY. SO THE CONTRACTOR SHALL COORDINATE ALL DEMOLITION AND REMODEL WORK WITH THE DETENTION PERSONNEL.
- SOME PLUMBING CHASES CONTAIN MECHANICAL DUCTWORK. THE CONTRACTOR SHALL COORDINATE THE INSTALLATION OF NEW SEWER AND VENT PIPING WITH THIS DUCTWORK.

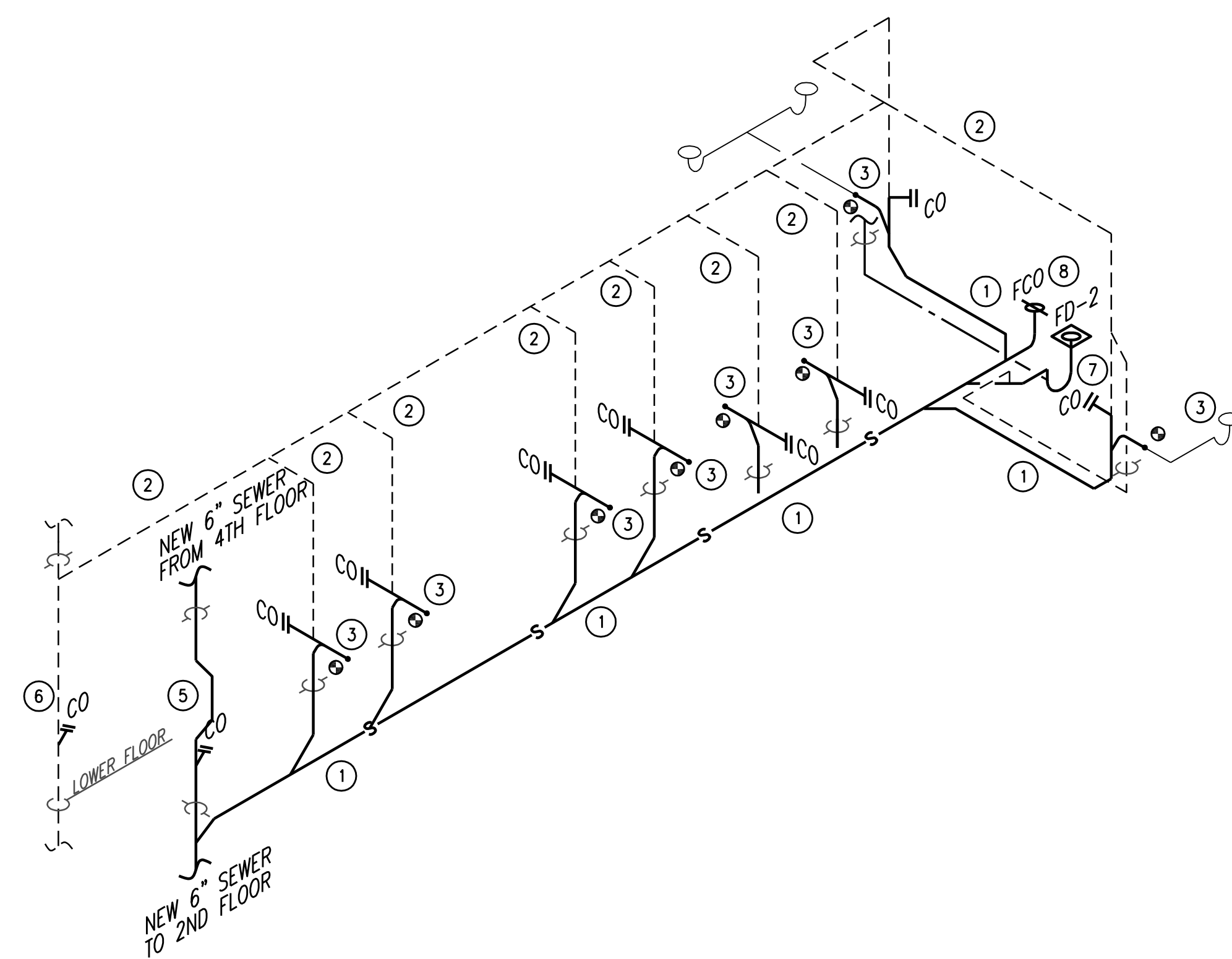
REMODEL PLUMBING KEYED NOTES:

- REPLACE EXISTING SEWER WITH NEW SEWER PIPING AT SIZE AS INDICATED. INSTALL AND SUPPORT PIPING PER SCHEMATICS 8/P-1.01, 9/P-1.01 AND 12/P-1.01.
- REPLACE EXISTING VENT WITH NEW VENT PIPING AT SIZE AS INDICATED. INSTALL AND SUPPORT PIPING PER SCHEMATICS 8/P-1.01, 9/P-1.01 AND 12/P-1.01.
- EXISTING SEWER AND VENT PIPING FROM STAND ALONE WC, FLOOR DRAINS, AND SHOWER ASSEMBLY FIXTURE IS TO REMAIN AND BE RECONNECTED TO THE NEW SEWER MAIN AT WALL/FLOOR PENETRATION AS INDICATED.
- EXISTING FLOOR PENETRATION TO BE FILLED IN WITH CONCRETE TO SEAL THE OPENING.
- NEW MAIN SEWER RISER PIPING IS TO REPLACE THE EXISTING RISER IN THE SAME PLACE IN CHASE TO BE INSTALLED IN SAME LOCATION OF EXISTING MAIN SEWER RISER PIPING. REFER TO SCHEMATIC 8/P-1.01 FOR FLOOR PENETRATION.
- NEW MAIN VENT RISER PIPING IS TO REPLACE THE EXISTING RISER IN THE SAME PLACE IN CHASE TO BE INSTALLED IN SAME LOCATION OF EXISTING MAIN VENT RISER PIPING. REFER TO SCHEMATIC 8/P-1.01 FOR FLOOR PENETRATION.
- NEW FLOOR DRAIN (FD-2) TO BE INSTALLED IN PLUMBING CHASE. REFER TO 11/P-1.01 FOR FURTHER INFORMATION.
- NEW FLOOR CLEANOUT (FCO) TO BE INSTALLED PER SCHEMATIC 1/P-1.01.
- PIPING PENETRATION WALL PER SCHEMATIC 7/P-1.01.



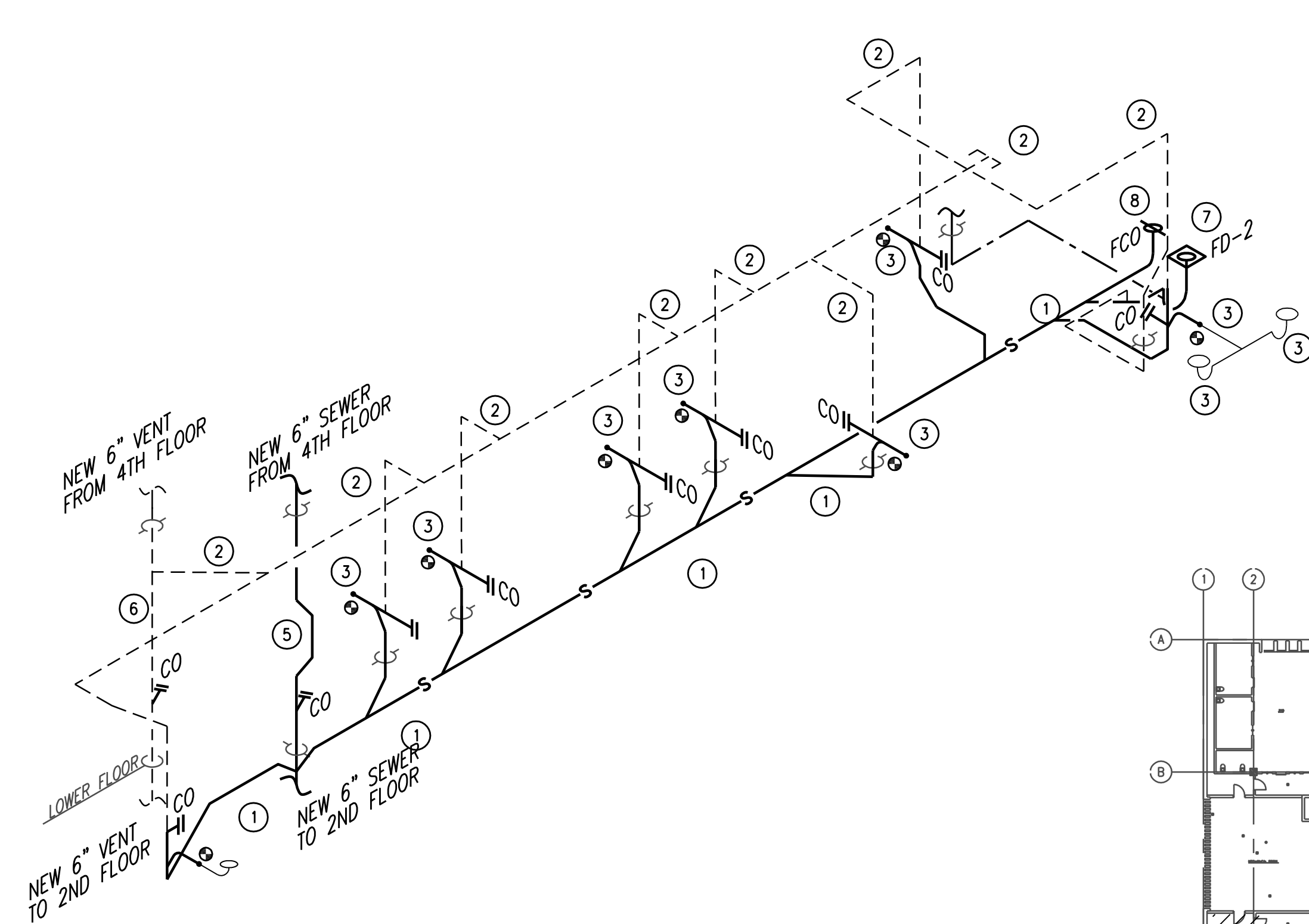
SEWER WASTE AND VENT PIPING ISOMETRIC

4 P-505 SCALE: NONE REFER TO 1/P-505 FOR FLOOR PLAN



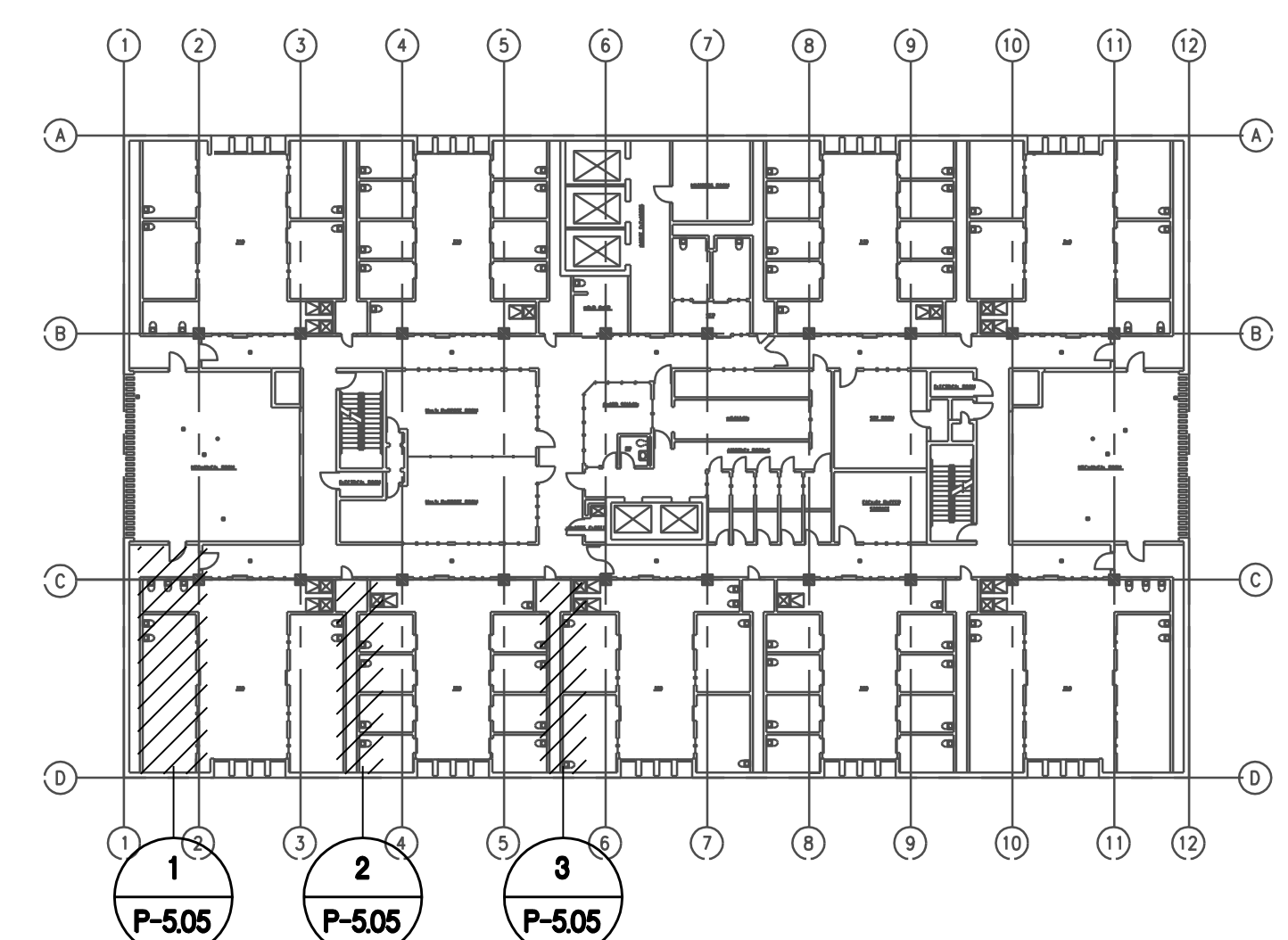
SEWER WASTE AND VENT PIPING ISOMETRIC

5 P-505 SCALE: NONE REFER TO 2/P-505 FOR FLOOR PLAN



SEWER WASTE AND VENT PIPING ISOMETRIC

6 P-505 SCALE: NONE REFER TO 3/P-505 FOR FLOOR PLAN



THIRD FLOOR KEY PLAN

THIS DOCUMENT, WHETHER IN HARD COPY OR MACHINE READABLE FORMAT, IS COPYRIGHTED AND AN INSTRUMENT OF SERVICES IN RESPECT TO THE PROJECT FOR WHICH IT WAS PREPARED. THIS DOCUMENT IS NOT INTENDED OR AUTHORIZED FOR REUSE BY ANY PARTY ON EXTENSIONS OF SUCH PROJECT OR ANY OTHER PROJECT. ANY REUSE, INCLUDING COPYING AND/OR MODIFYING THE DOCUMENT, WITHOUT WRITTEN PERMISSION FROM EMC ENGINEERS FOR THE SPECIFIC PURPOSE INTENDED IS A VIOLATION OF FEDERAL COPYRIGHT LAW. UNAUTHORIZED USE OF THIS MATERIAL MAY RESULT IN CIVIL AND/OR CRIMINAL PENALTIES.

COPY RIGHT 2013 EMC ENGINEERS.

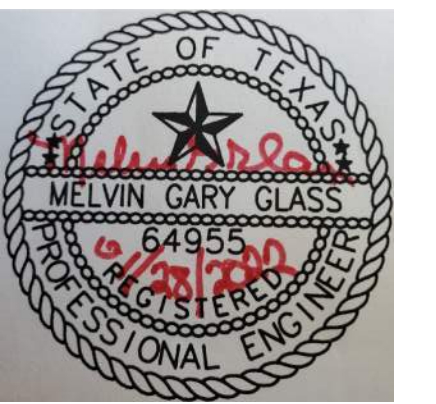
Project:	UPGRADE AND REPLACE THE SANITARY SEWER SYSTEM AT THE EL PASO COUNTY DETENTION FACILITY
Location:	601 E OVERLAND STREET EL PASO, TEXAS
Job Number:	ETC-2108022
Date:	11/23/2021
Scale:	AS SHOWN
Sheet:	P-5.05
60 of: X	

Rev.#	Date	Initial	Description

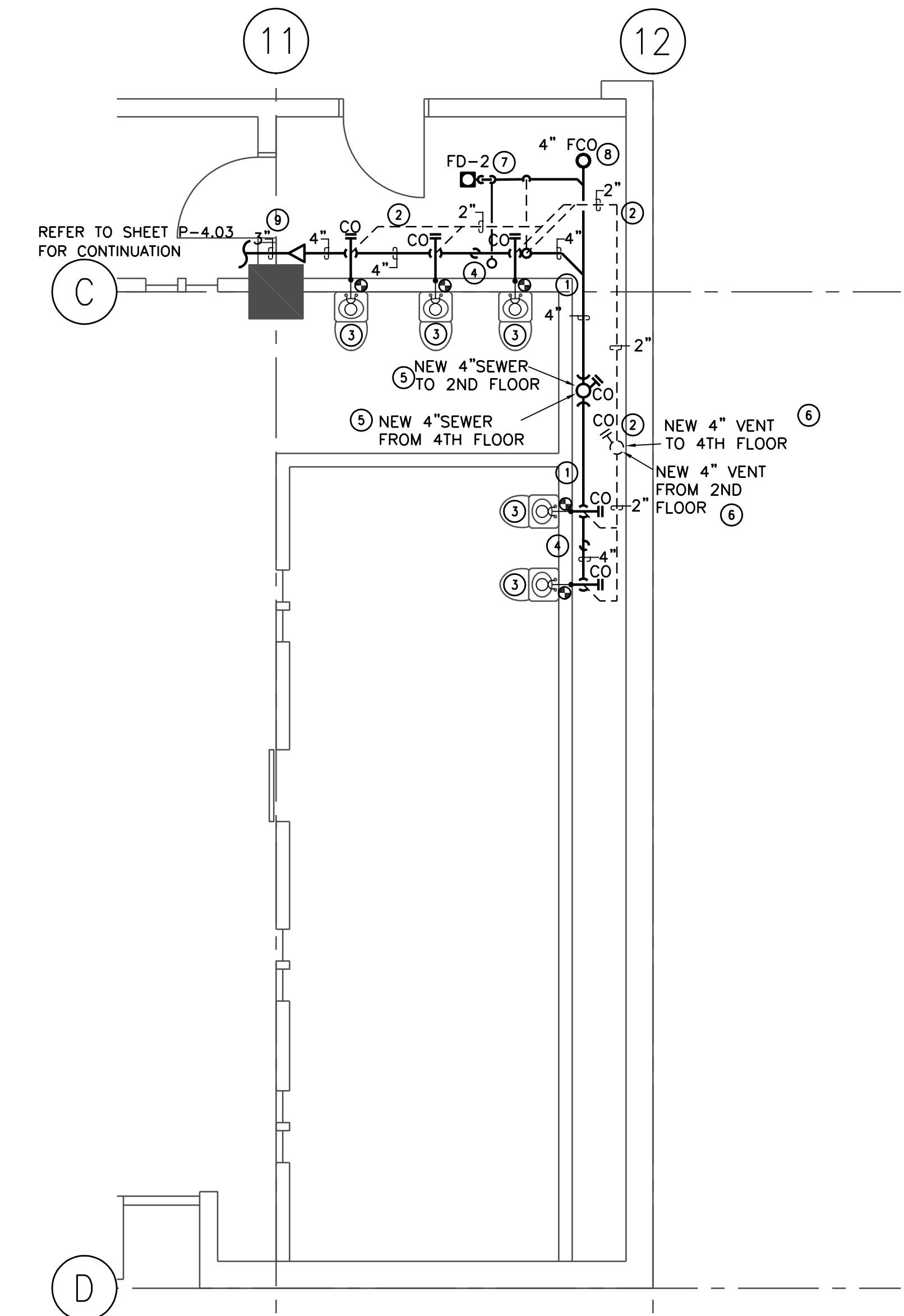
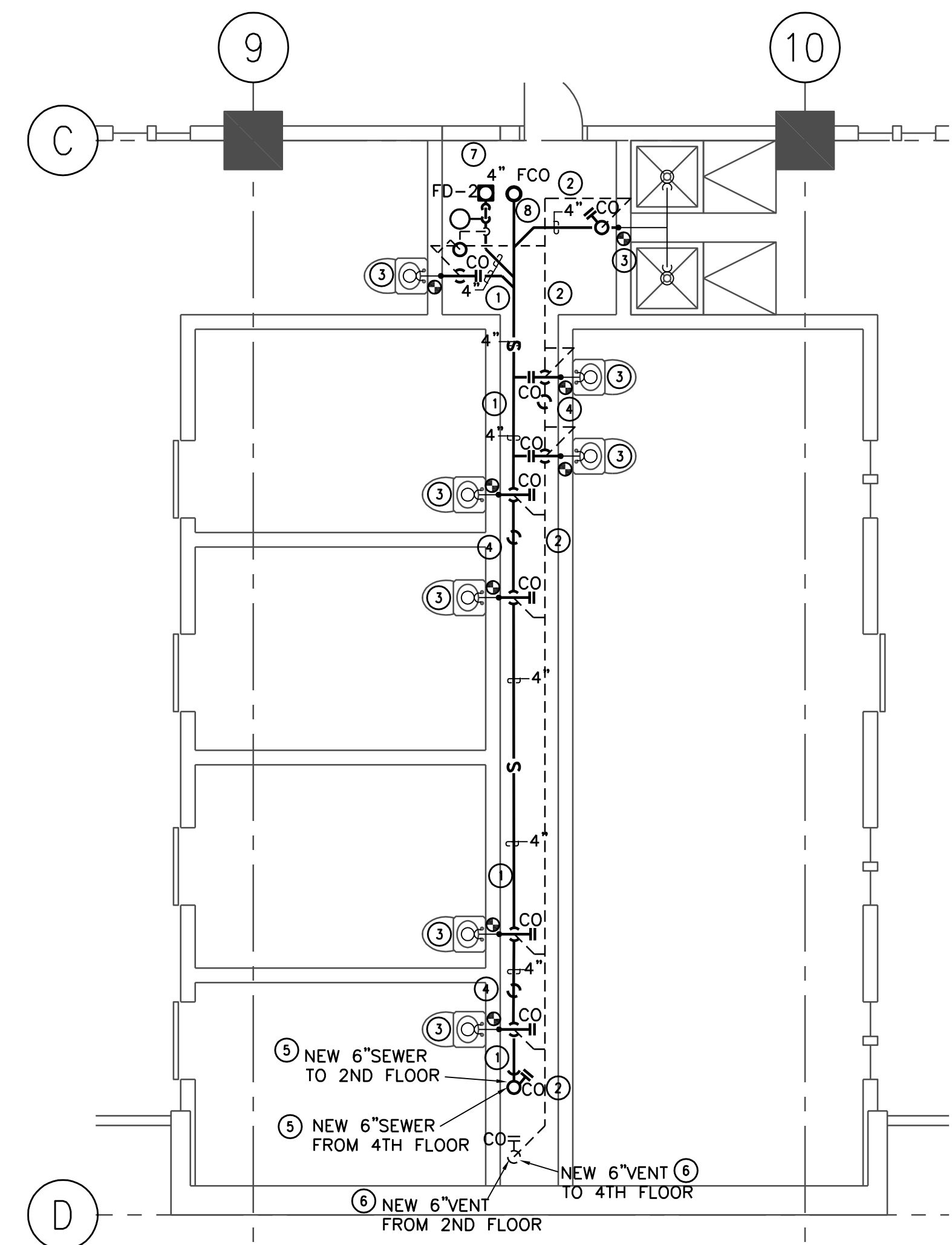
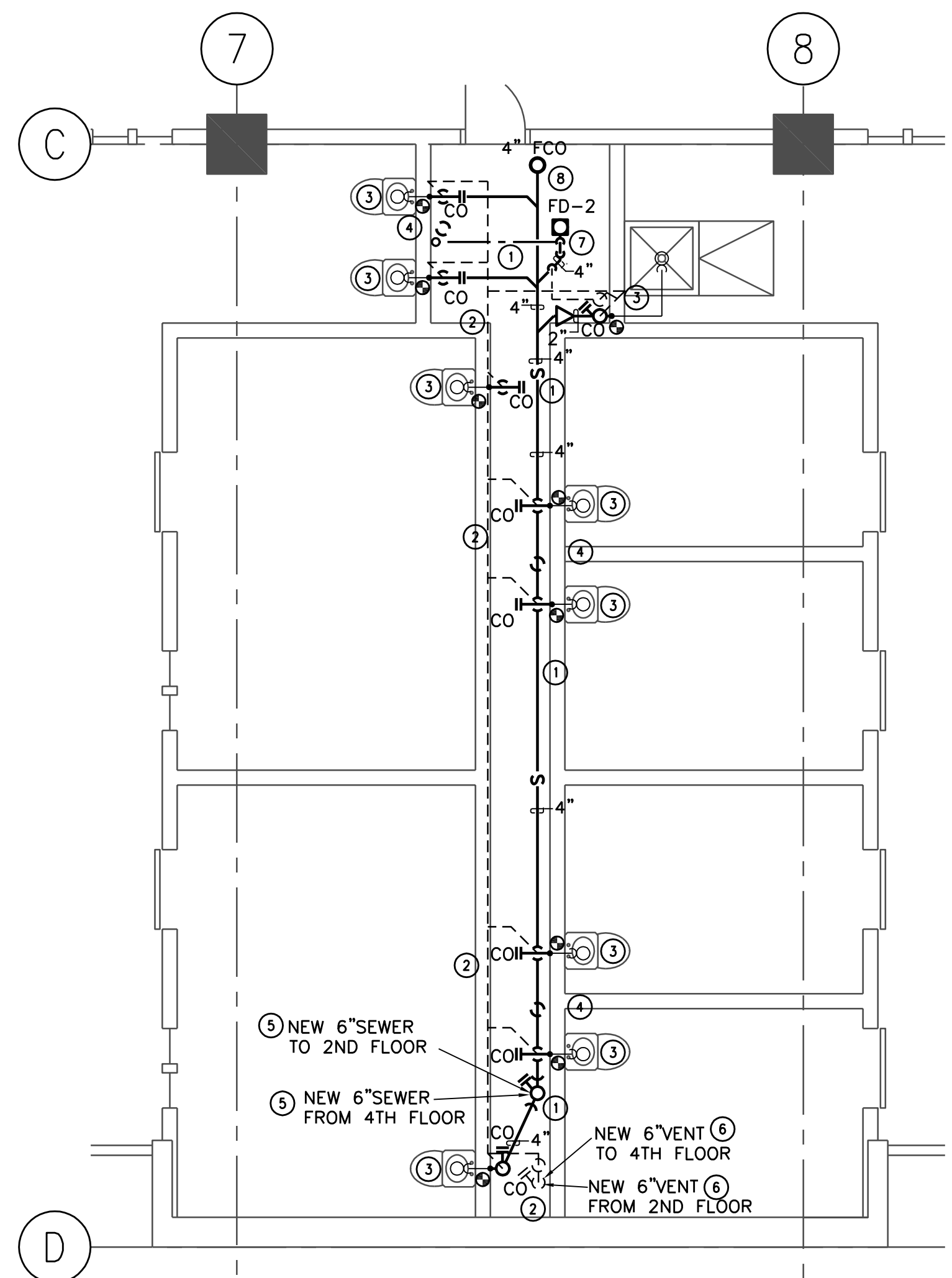
EMC ENGINEERS
 2311 E. BUSINESS AVENUE SUITE 100
 EL PASO, TEXAS 79902
 TEL: 915-781-2000
 FAX: 915-781-2005
 TEXAS FIRM REG. #4502
 EMC PROJECT #1700022

Designed By: ETC
 Drawn By: ETC
 Checked By: ETC





THE SEAL APPEARING ON THIS DOCUMENT WAS AUTHORIZED BY MELVIN G. GLASS, P.E. #64935 OF EMC ENGINEERS (TEAMS FIRM REG. #24911) ON JANUARY 28, 2022. ANY ALTERATION OF A SEALED DOCUMENT WITHOUT PROPER NOTIFICATION TO THE RESPONSIBLE ENGINEER IS AN OFFENSE UNDER THE TEXAS ENGINEERING PRACTICE ACT.

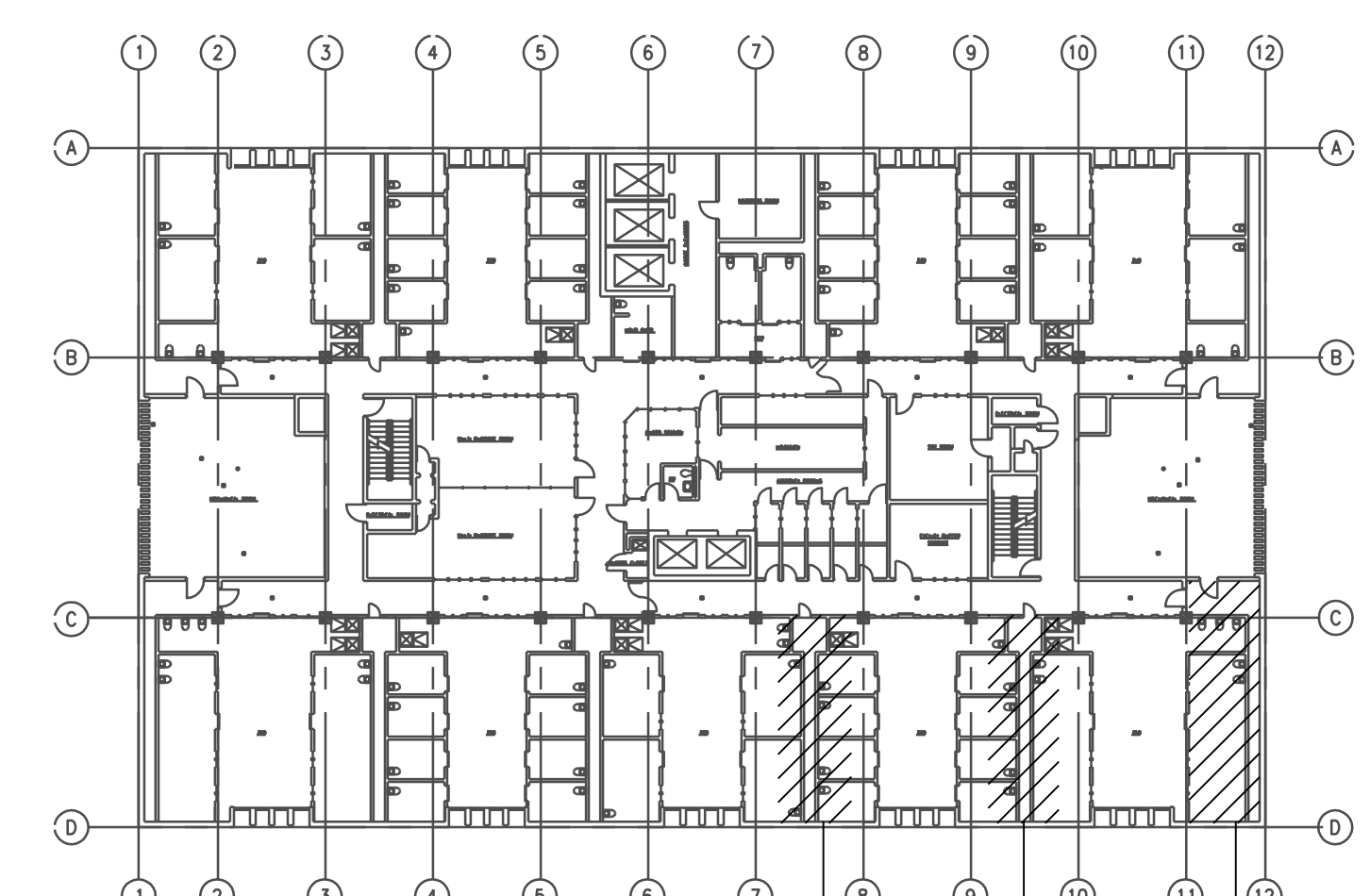
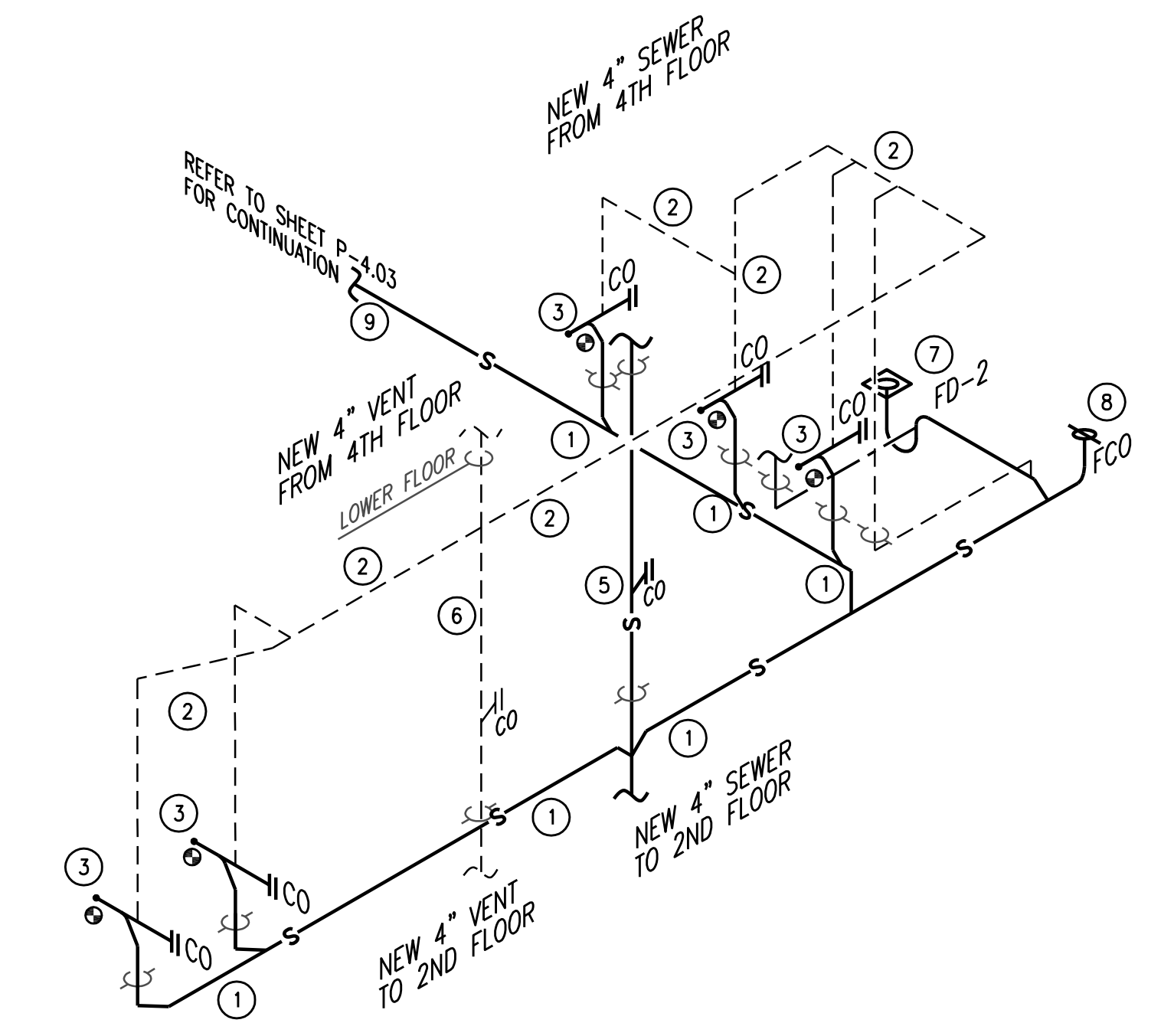
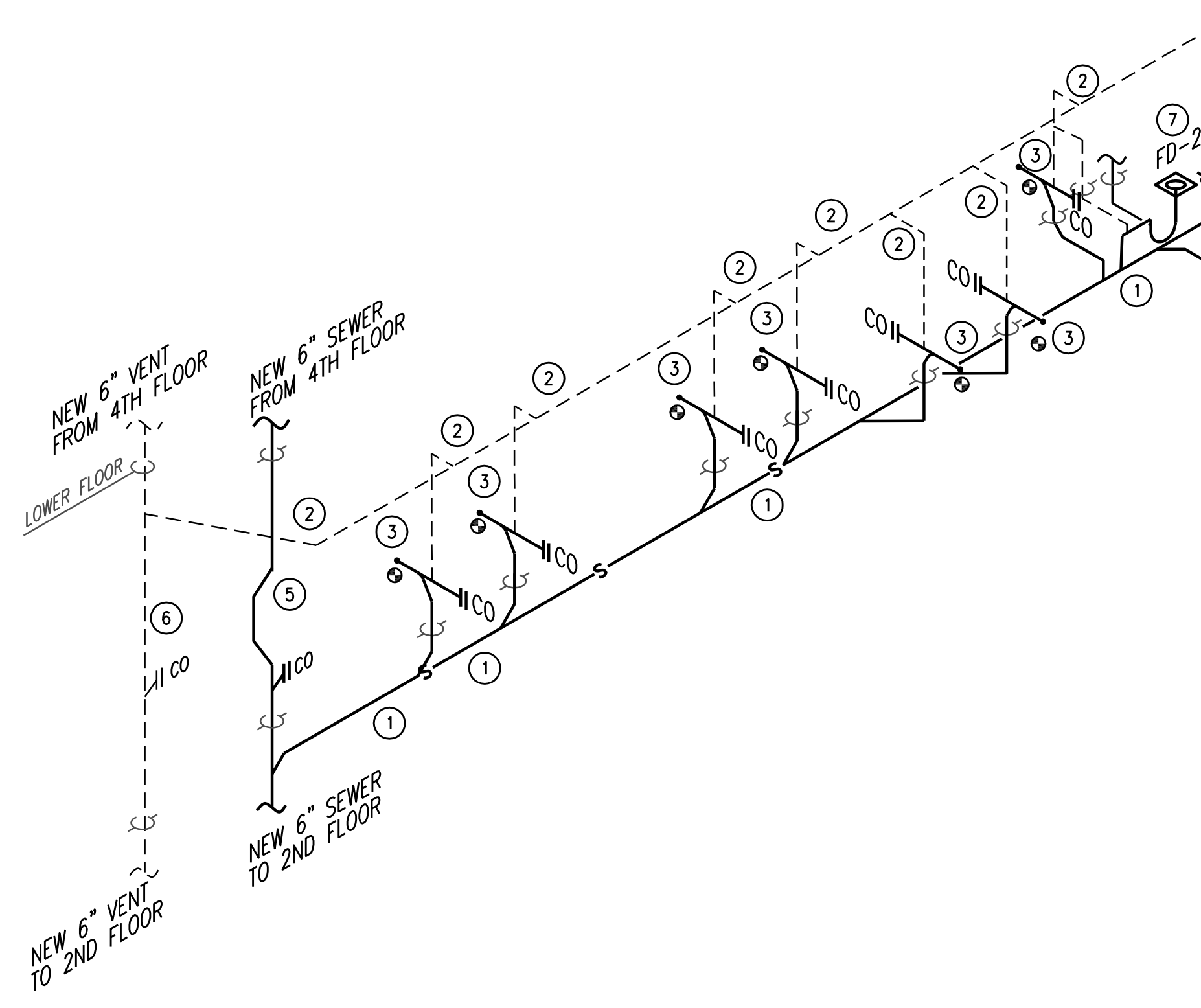
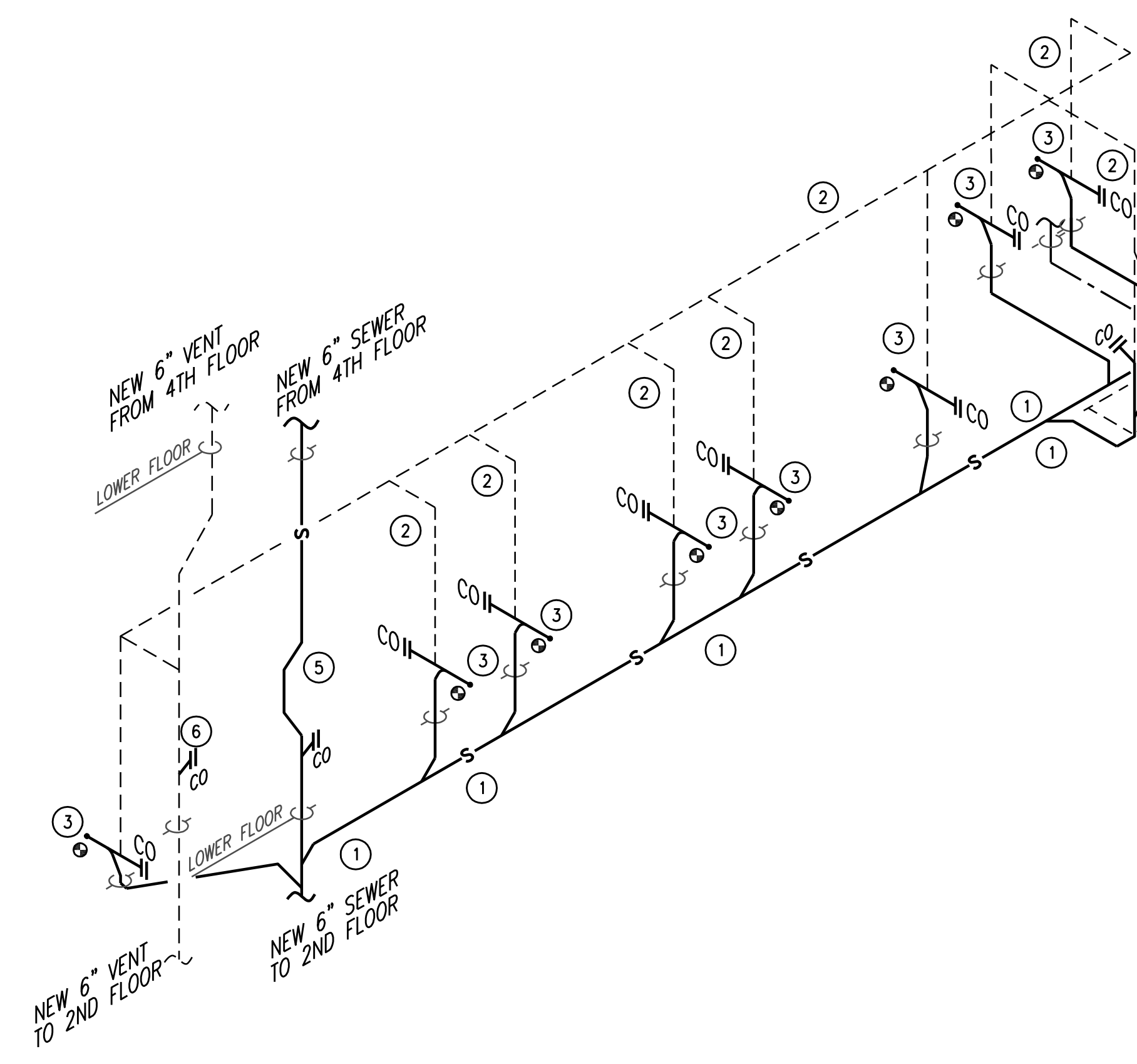


REMODEL PLUMBING GENERAL NOTES:

- 1 THE INTENT IS TO REMODEL REPLACEMENT OF THE SEWER AND VENTING SYSTEMS FOR THE FACILITY. THIS FACILITY IS A 24/7 SECURED OPERATION FACILITY, SO THE CONTRACTOR SHALL COORDINATE ALL DEMOLITION AND REMODEL WORK WITH THE DETENTION PERSONNEL.
- 2 SOME PLUMBING CHASES CONTAIN MECHANICAL DUCTWORK, THE CONTRACTOR SHALL COORDINATE THE INSTALLATION OF NEW SEWER AND VENT PIPING WITH THIS DUCTWORK.

REMODEL PLUMBING KEYED NOTES:

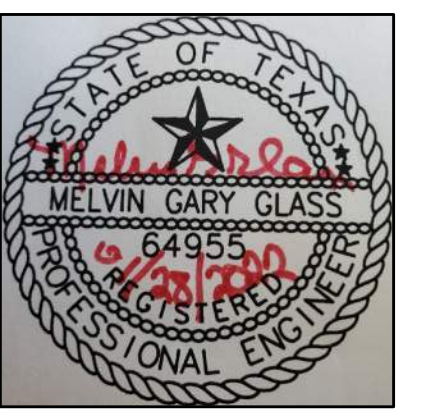
- 1 REPLACE EXISTING SEWER WITH NEW SEWER PIPING AT SIZE AS INDICATED. INSTALL AND SUPPORT PIPING PER SCHEMATICS 8/P1.01, 9/P-1.01 AND 12/P-1.01.
- 2 REPLACE EXISTING VENT WITH NEW VENT PIPING AT SIZE AS INDICATED. INSTALL AND SUPPORT PIPING PER SCHEMATICS 8/P1.01, 9/P-1.01 AND 12/P-1.01.
- 3 EXISTING SEWER AND VENT PIPING FROM STAND ALONE WC, FLOOR DRAINS, AND SHOWER ASSEMBLIES FIXTURE IS TO REMAIN AND BE RECONNECTED TO THE NEW SEWER MAIN AT WALL/FLOOR PENETRATION AS INDICATED.
- 4 EXISTING FLOOR PENETRATION TO BE FILLED IN WITH CONCRETE TO SEAL THE OPENING.
- 5 NEW MAIN SEWER RISER PIPING IS TO REPLACE THE EXISTING RISER IN THE SAME PLACE IN CHASE TO BE INSTALLED IN SAME LOCATION OF EXISTING MAIN SEWER RISER PIPING, REFER TO SCHEMATIC 8/P-1.01 FOR FLOOR PENETRATION.
- 6 NEW MAIN VENT RISER PIPING IS TO REPLACE THE EXISTING RISER IN THE SAME PLACE IN CHASE TO BE INSTALLED IN SAME LOCATION OF EXISTING MAIN VENT RISER PIPING, REFER TO SCHEMATIC 8/P-1.01 FOR FLOOR PENETRATION.
- 7 NEW FLOOR DRAIN (FD-2) TO BE INSTALLED IN PLUMBING CHASE, REFER TO 11/P-1.01 FOR FURTHER INFORMATION.
- 8 NEW FLOOR CLEANOUT (FCO) TO BE INSTALLED PER SCHEMATIC 1/P-1.01.
- 9 PIPING PENETRATION WALL PER SCHEMATIC 7/P1.01.



THIRD FLOOR KEY PLAN

THIS DOCUMENT, WHETHER IN HARD COPY OR MACHINE READABLE FORMAT, IS COPYRIGHTED AND AN INSTRUMENT OF SERVICES IN RESPECT TO THE PROJECT FOR WHICH IT WAS PREPARED. THIS DOCUMENT IS NOT INTENDED OR AUTHORIZED FOR REUSE BY ANY PARTY ON EXTENSIONS OF SUCH PROJECT OR ANY OTHER PROJECT. ANY REUSE, INCLUDING COPYING AND/OR MODIFYING THE DOCUMENT, WITHOUT WRITTEN PERMISSION FROM EMC ENGINEERS FOR THE SPECIFIC PURPOSE INTENDED IS A VIOLATION OF FEDERAL COPYRIGHT LAW. UNAUTHORIZED USE OF THIS MATERIAL MAY RESULT IN CIVIL AND/OR CRIMINAL PENALTIES.
COPY RIGHT 2013 EMC ENGINEERS.

Project:	UPGRADE AND REPLACE THE SANITARY SEWER SYSTEM AT THE EL PASO COUNTY DETENTION FACILITY
Location:	601 E OVERLAND STREET EL PASO, TEXAS
Job Number:	ETC-2108022
Date:	11/23/2021
Scale:	AS SHOWN
Sheet:	P-5.06
61 of: X	



THE SEAL APPEARING ON THIS DOCUMENT WAS AUTHORIZED BY MELVIN G. GLASS, P.E. #64935 OF EMC ENGINEERS (TEXAS TIRM REG. #2491) ON JANUARY 28, 2022. ANY ALTERATION OF A SEALED DOCUMENT WITHOUT PROPER NOTIFICATION TO THE RESPONSIBLE ENGINEER IS AN OFFENSE UNDER THE TEXAS ENGINEERING PRACTICE ACT.

Rev.#	Date	Initial	Description
1			
2			
3			
4			
5			
6			

EMC ENGINEERS
2311 E. BROADWAY AVE. SUITE 100
EL PASO, TEXAS 79901
TEL: 915-781-2000
FAX: 915-781-2005
WWW.EMCENGINEERS.COM
EMC PROJECT #2108022



Project: **UPGRADE AND REPLACE THE SANITARY SEWER SYSTEM AT THE EL PASO COUNTY DETENTION FACILITY**
Location: **601 E OVERLAND STREET EL PASO, TEXAS**

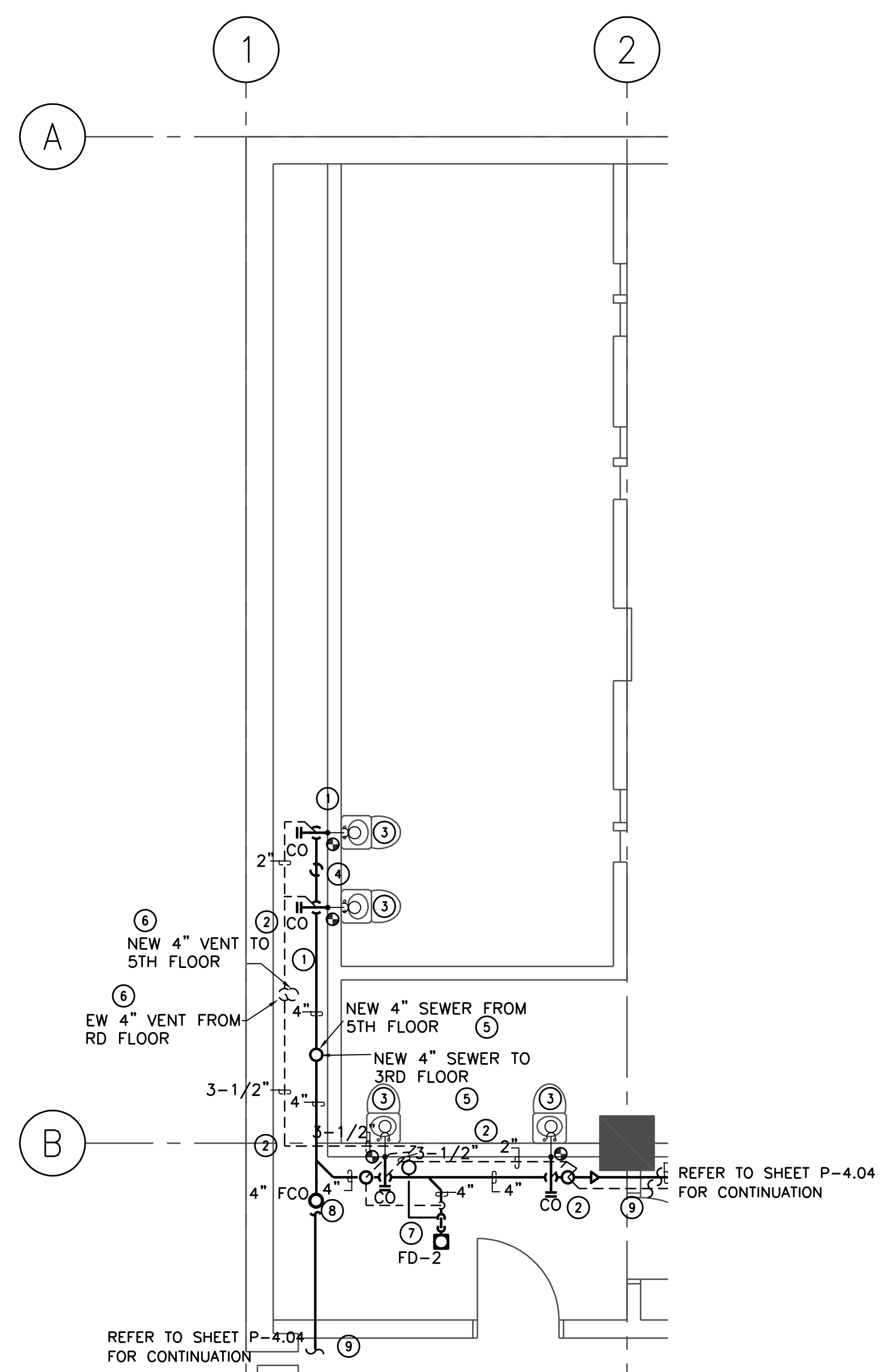
Job Number: **ETC-2108022**
Date: **11/23/2021**
Scale: **AS SHOWN**
Sheet: **P-5.07**
62 of: X

REMODEL PLUMBING GENERAL NOTES:

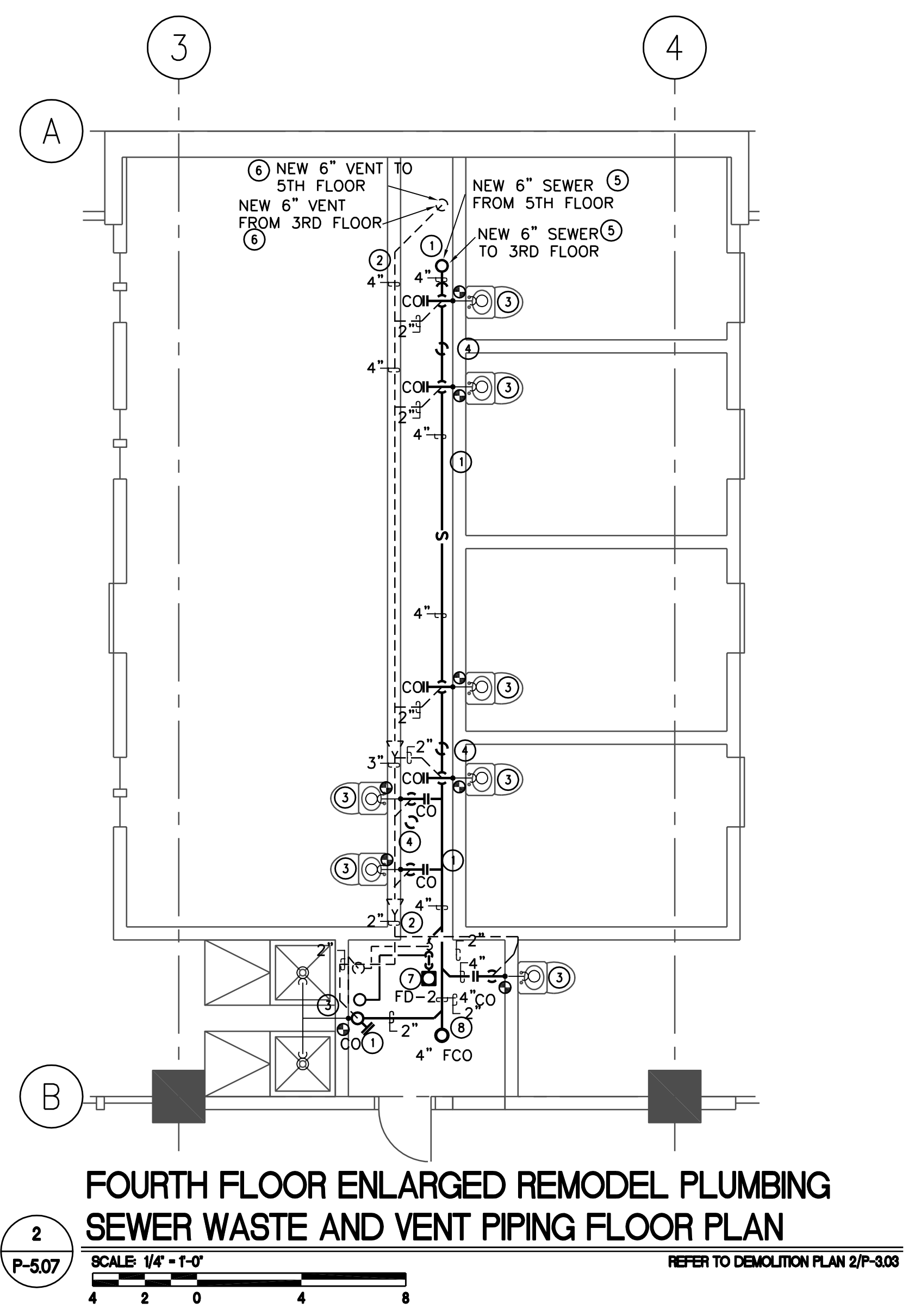
- 1 THE INTENT IS TO REMODEL REPLACEMENT OF THE SEWER AND VENTING SYSTEMS FOR THE FACILITY. THIS FACILITY IS A 24/7 SECURED OPERATION FACILITY, SO THE CONTRACTOR SHALL COORDINATE ALL DEMOLITION AND REMODEL WORK WITH THE DETENTION PERSONNEL.
- 2 SOME PLUMBING CHASES CONTAIN MECHANICAL DUCTWORK, THE CONTRACTOR SHALL COORDINATE THE INSTALLATION OF NEW SEWER AND VENT PIPING WITH THIS DUCTWORK.

REMODEL PLUMBING KEYED NOTES:

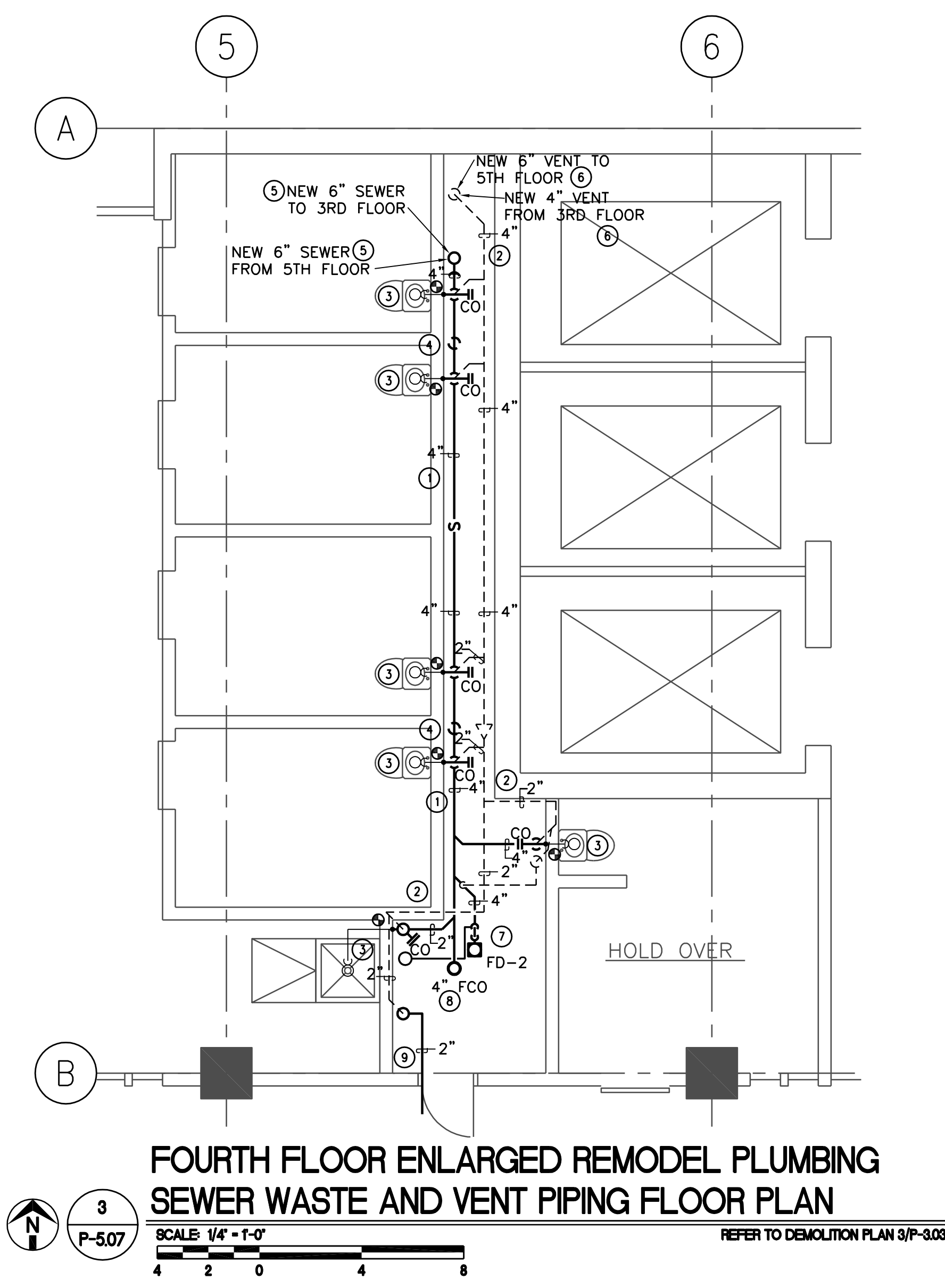
- 1 REPLACE EXISTING SEWER WITH NEW SEWER PIPING AT SIZE AS INDICATED INSTALL AND SUPPORT PIPING PER SCHEMATICS 8/P.1.01, 9/P-1.01 AND 12/P-1.01.
- 2 REPLACE EXISTING VENT WITH NEW VENT PIPING AT SIZE AS INDICATED INSTALL AND SUPPORT PIPING PER SCHEMATICS 8/P.1.01, 9/P-1.01 AND 12/P-1.01.
- 3 EXISTING SEWER AND VENT PIPING FROM STAND ALONE WC, FLOOR DRAINS, AND SHOWER ASSEMBLIES FIXTURE IS TO REMAIN AND BE RECONNECTED TO THE NEW SEWER MAIN AT WALL/FLOOR PENETRATION AS INDICATED.
- 4 EXISTING FLOOR PENETRATION TO BE FILLED IN WITH CONCRETE TO SEAL THE OPENING.
- 5 NEW MAIN SEWER RISER PIPING IS TO REPLACE THE EXISTING RISER IN THE SAME PLACE IN CHASE TO BE INSTALLED IN SAME LOCATION OF EXISTING MAIN SEWER RISER PIPING, REFER TO SCHEMATIC 8/P-1.01 FOR FLOOR PENETRATION.
- 6 NEW MAIN VENT RISER PIPING IS TO REPLACE THE EXISTING RISER IN THE SAME PLACE IN CHASE TO BE INSTALLED IN SAME LOCATION OF EXISTING MAIN VENT RISER PIPING, REFER TO SCHEMATIC 8/P-1.01 FOR FLOOR PENETRATION.
- 7 NEW FLOOR DRAIN (FD-2) TO BE INSTALLED IN PLUMBING CHASE. REFER TO 11/P-1.01 FOR FURTHER INFORMATION.
- 8 NEW FLOOR CLEANOUT (FCO) TO BE INSTALLED PER SCHEMATIC 1/P-1.01.
- 9 PIPING PENETRATION WALL PER SCHEMATIC 7/P.1.01.



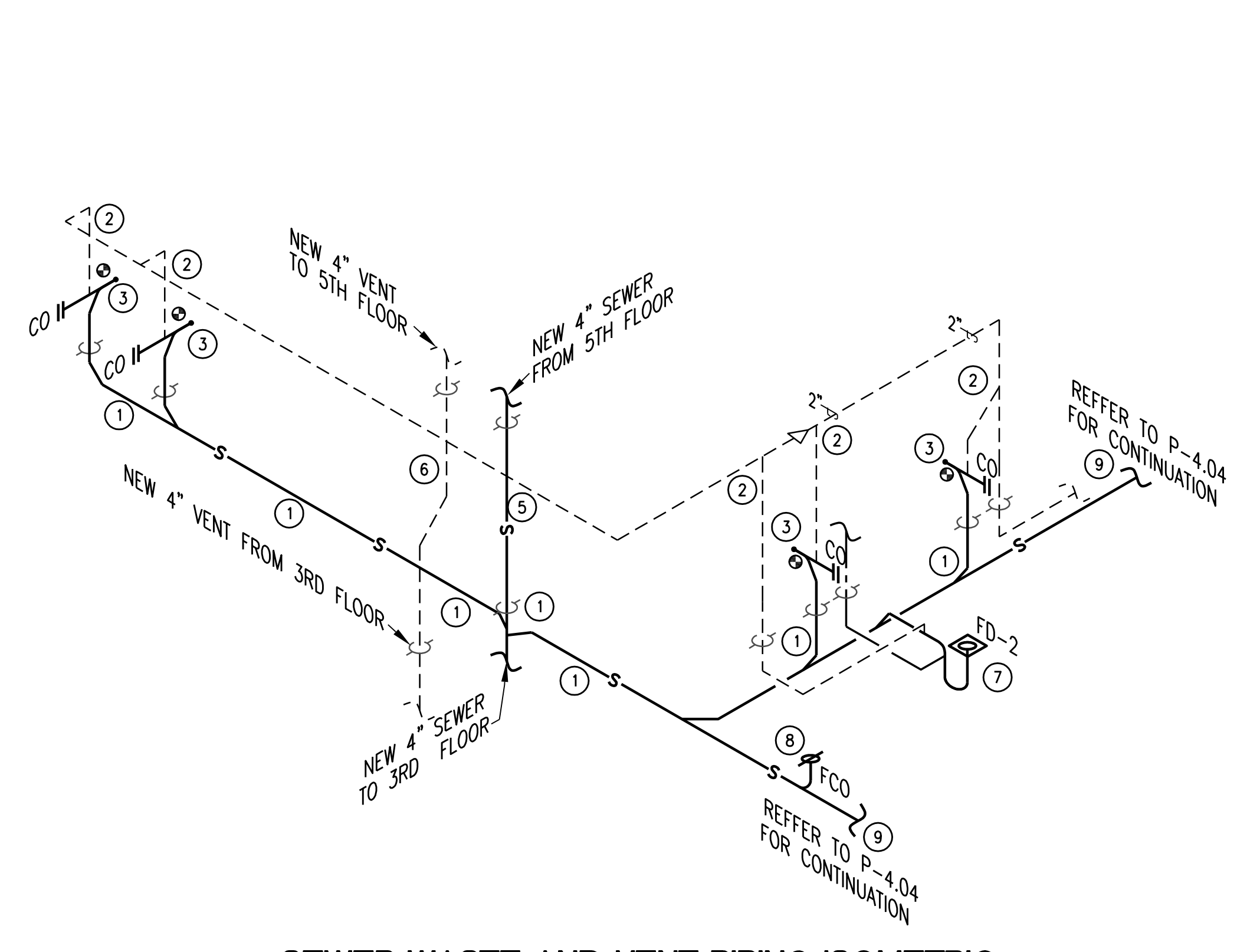
FOURTH FLOOR ENLARGED REMODEL PLUMBING SEWER WASTE AND VENT PIPING FLOOR PLAN
SCALE: 1/4" = 1'-0"
REFER TO DEMOLITION PLAN 1/P-3.03



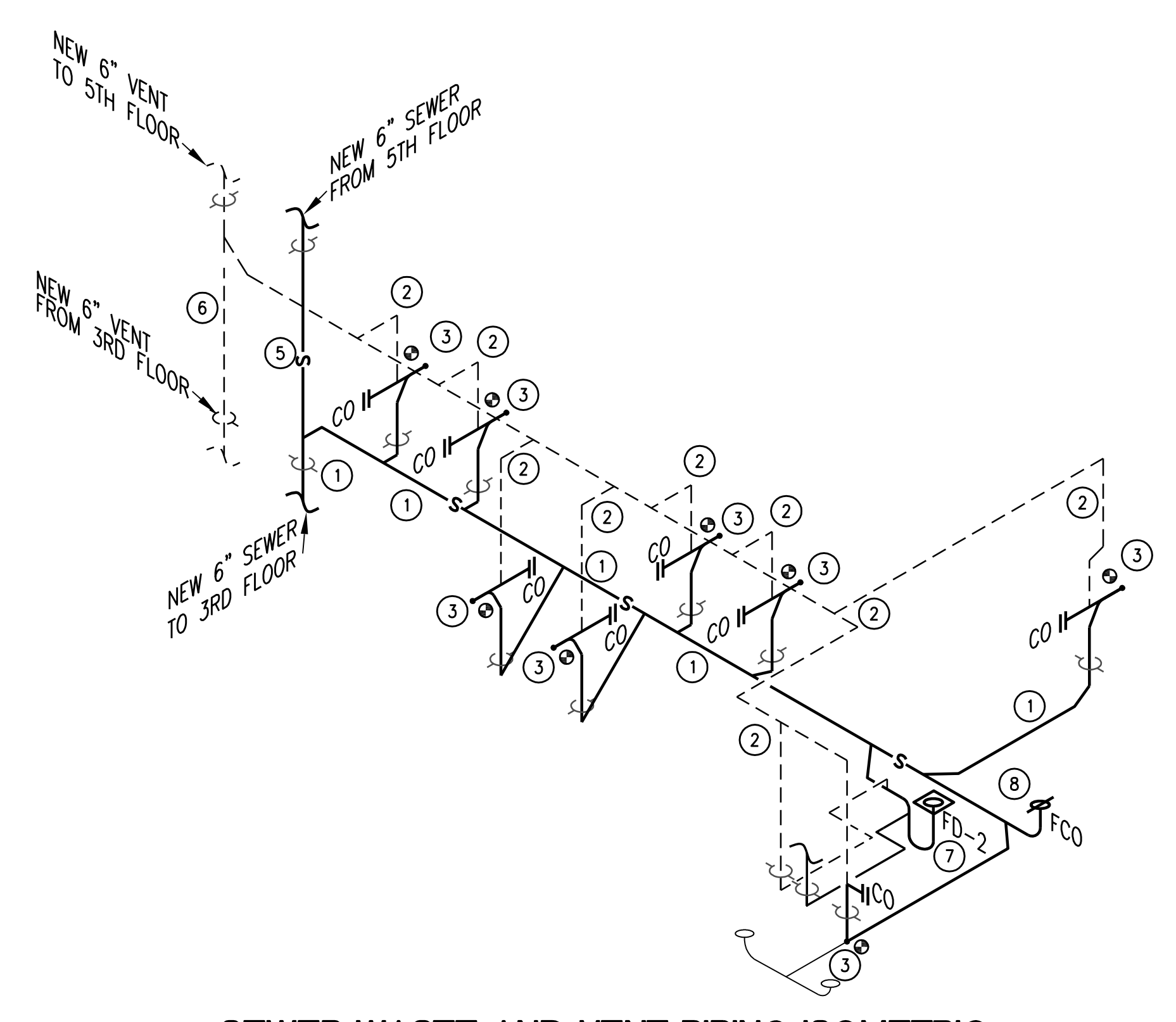
FOURTH FLOOR ENLARGED REMODEL PLUMBING SEWER WASTE AND VENT PIPING FLOOR PLAN
SCALE: 1/4" = 1'-0"
REFER TO DEMOLITION PLAN 2/P-3.03



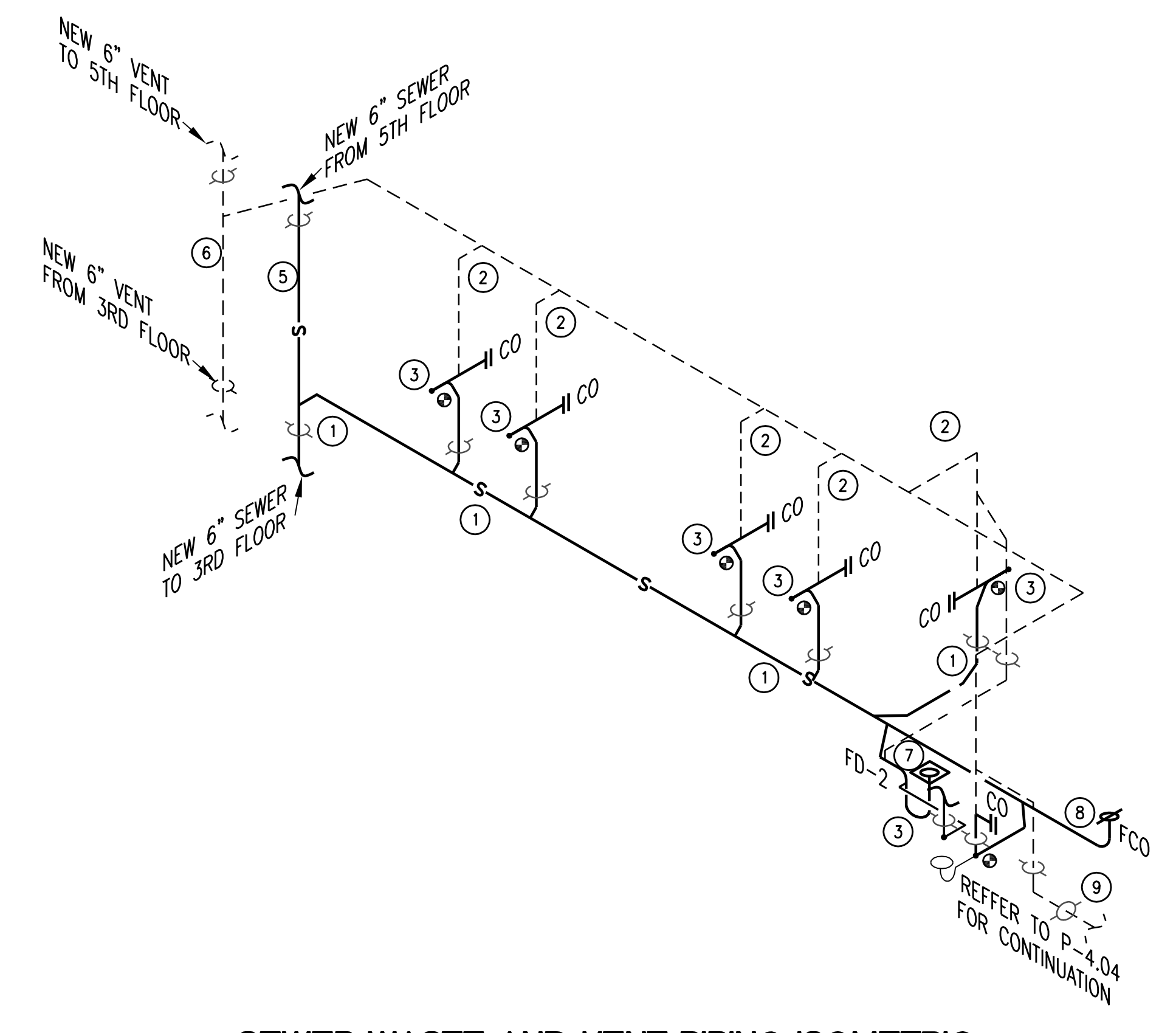
FOURTH FLOOR ENLARGED REMODEL PLUMBING SEWER WASTE AND VENT PIPING FLOOR PLAN
SCALE: 1/4" = 1'-0"
REFER TO DEMOLITION PLAN 3/P-3.03



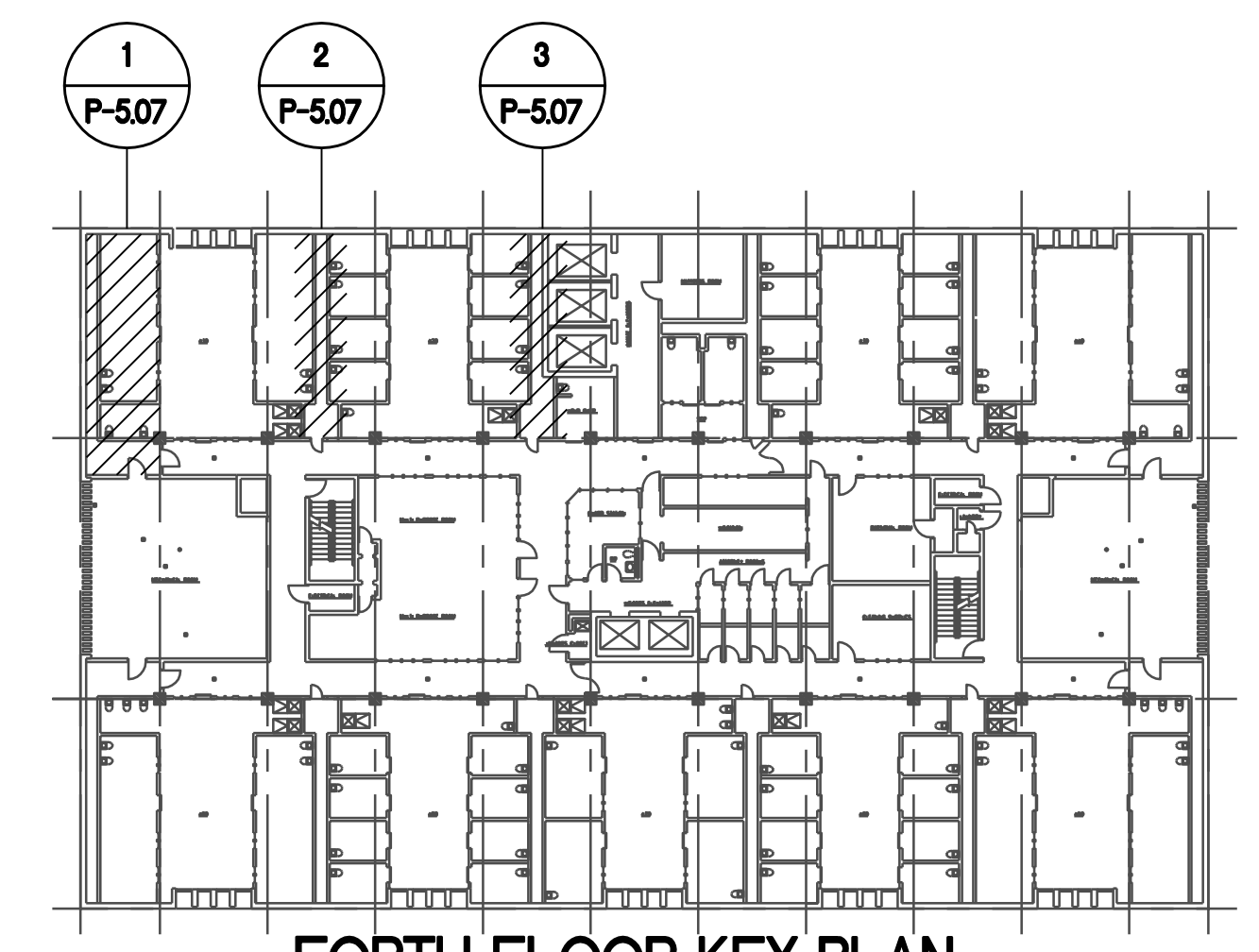
SEWER WASTE AND VENT PIPING ISOMETRIC
SCALE: NONE
REFER TO 1/P-5.07 FOR FLOOR PLAN



SEWER WASTE AND VENT PIPING ISOMETRIC
SCALE: NONE
REFER TO 2/P-5.07 FOR FLOOR PLAN

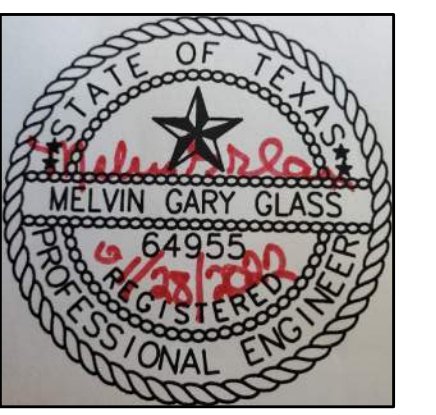


SEWER WASTE AND VENT PIPING ISOMETRIC
SCALE: NONE
REFER TO 3/P-5.07 FOR FLOOR PLAN

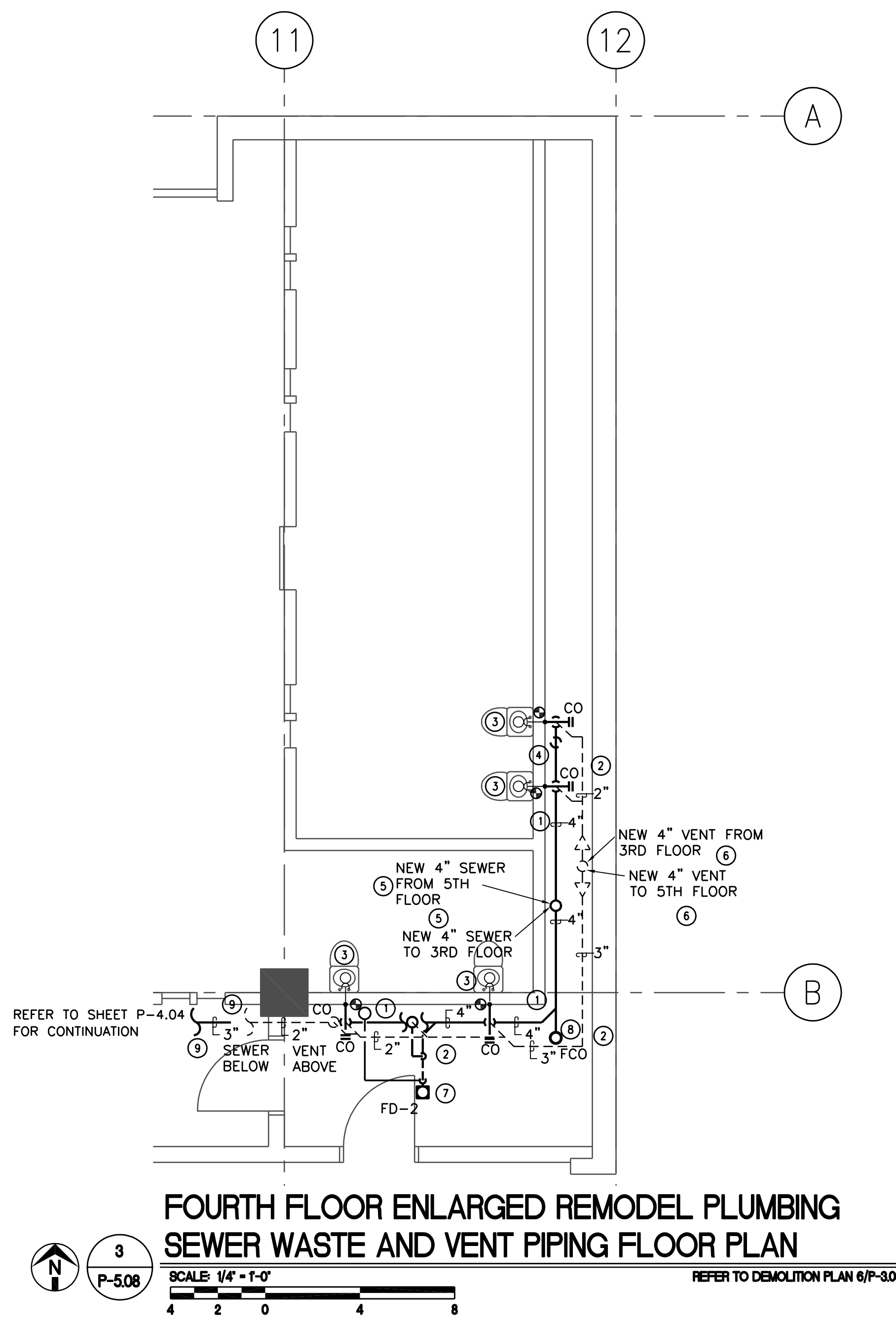
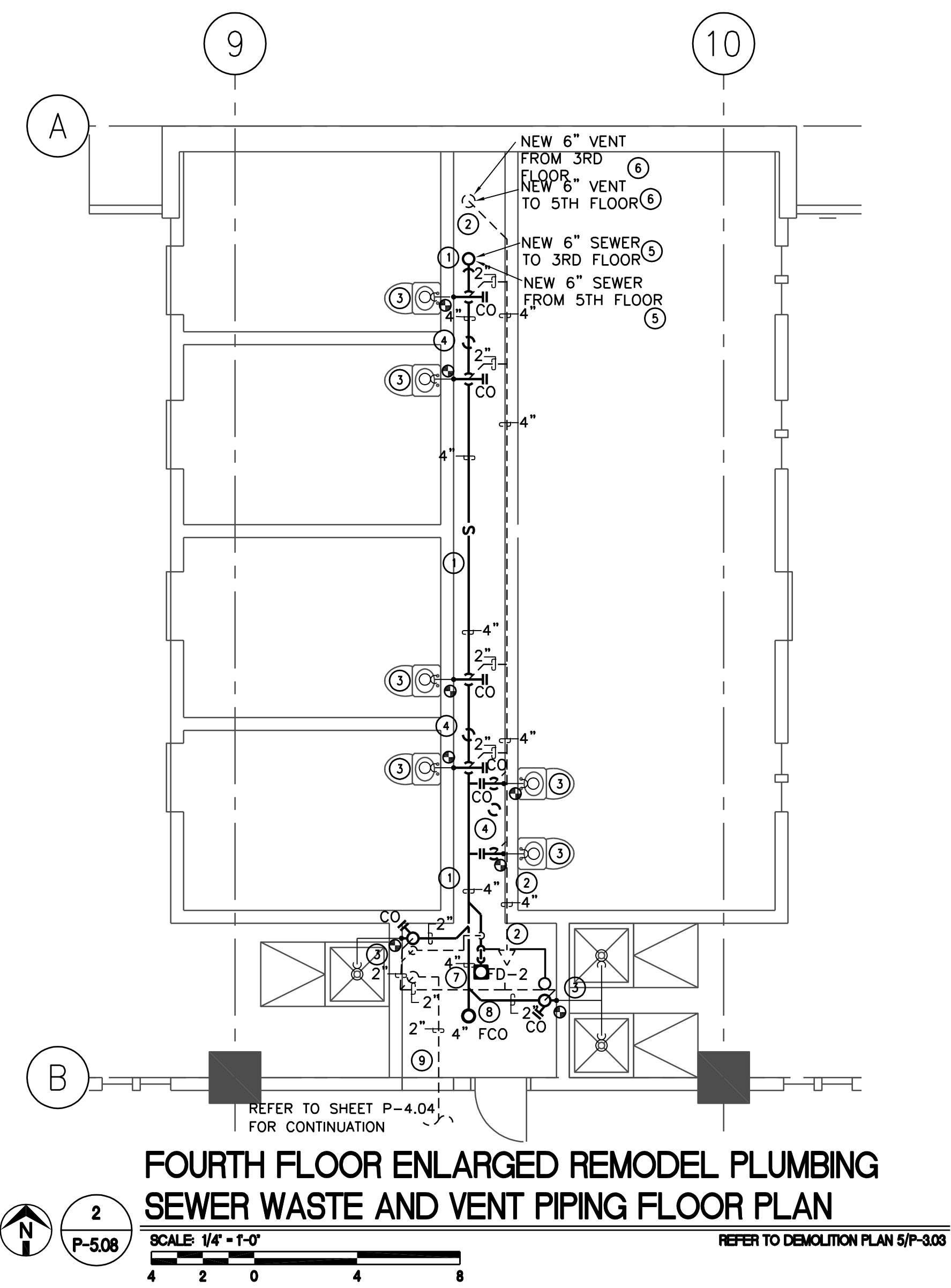
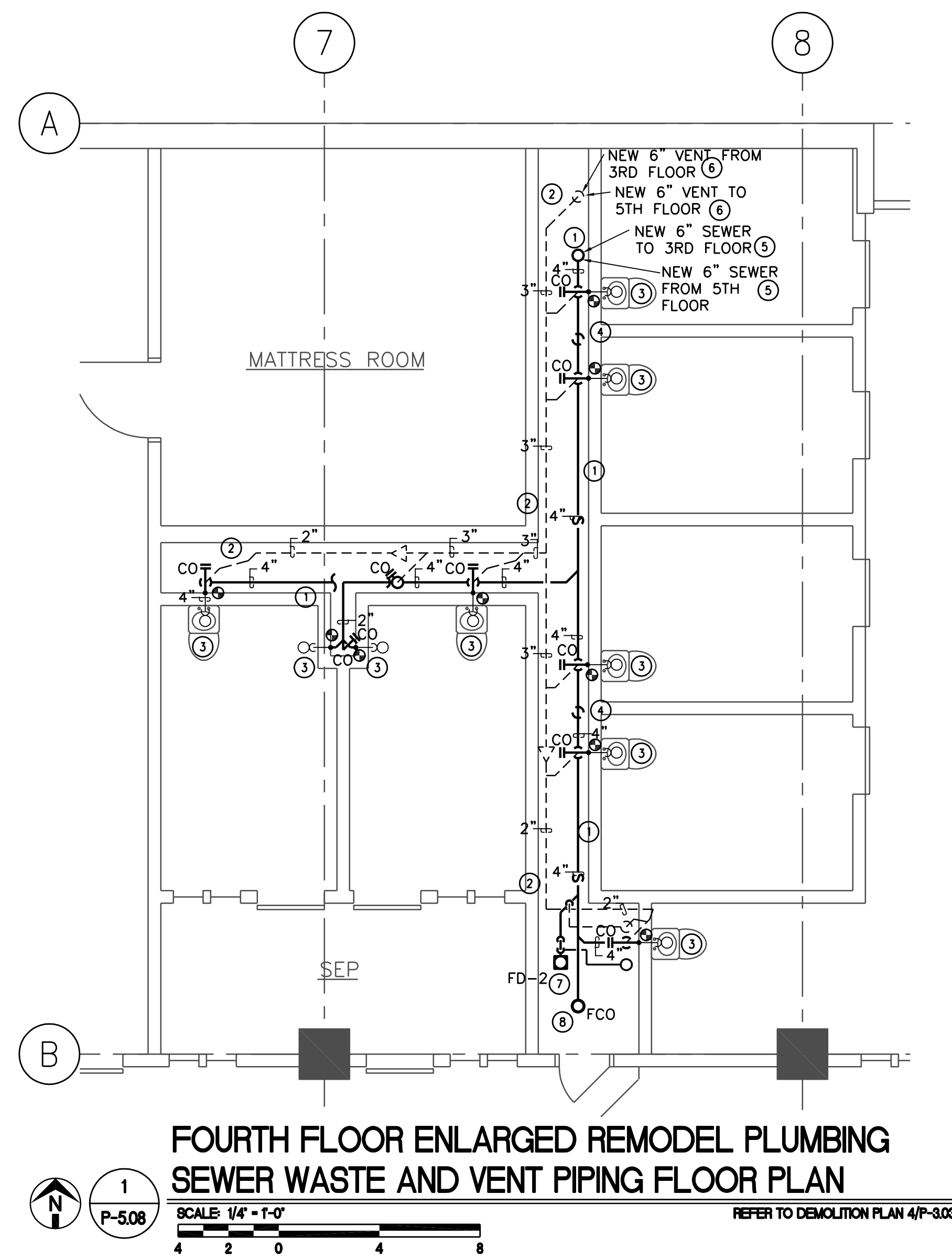


FOURTH FLOOR KEY PLAN
SCALE: NONE

THIS DOCUMENT, WHETHER IN HARD COPY OR MACHINE READABLE FORMAT, IS COPYRIGHTED AND AN INSTRUMENT OF SERVICES IN RESPECT TO THE PROJECT FOR WHICH IT WAS PREPARED. THIS DOCUMENT IS NOT INTENDED OR AUTHORIZED FOR REUSE BY ANY PARTY ON EXTENSIONS OF SUCH PROJECT OR ANY OTHER PROJECT. ANY REUSE, INCLUDING COPYING AND/OR MODIFYING THE DOCUMENT, WITHOUT WRITTEN PERMISSION FROM EMC ENGINEERS FOR THE SPECIFIC PURPOSE INTENDED IS A VIOLATION OF FEDERAL COPYRIGHT LAW. UNAUTHORIZED USE OF THIS MATERIAL MAY RESULT IN CIVIL AND/OR CRIMINAL PENALTIES.
COPY RIGHT 2013 EMC ENGINEERS.



THE SEAL APPEARING ON THIS DOCUMENT WAS AUTHORIZED BY MELVIN G. GLASS, P.E. #64935 OF EMC ENGINEERS (TEMS FIRM REG. #2491) ON JANUARY 28, 2022. ALTERATION OF A SEALED DOCUMENT WITHOUT PROPER NOTIFICATION TO THE RESPONSIBLE ENGINEER IS AN OFFENSE UNDER THE TEXAS ENGINEERING PRACTICE ACT.

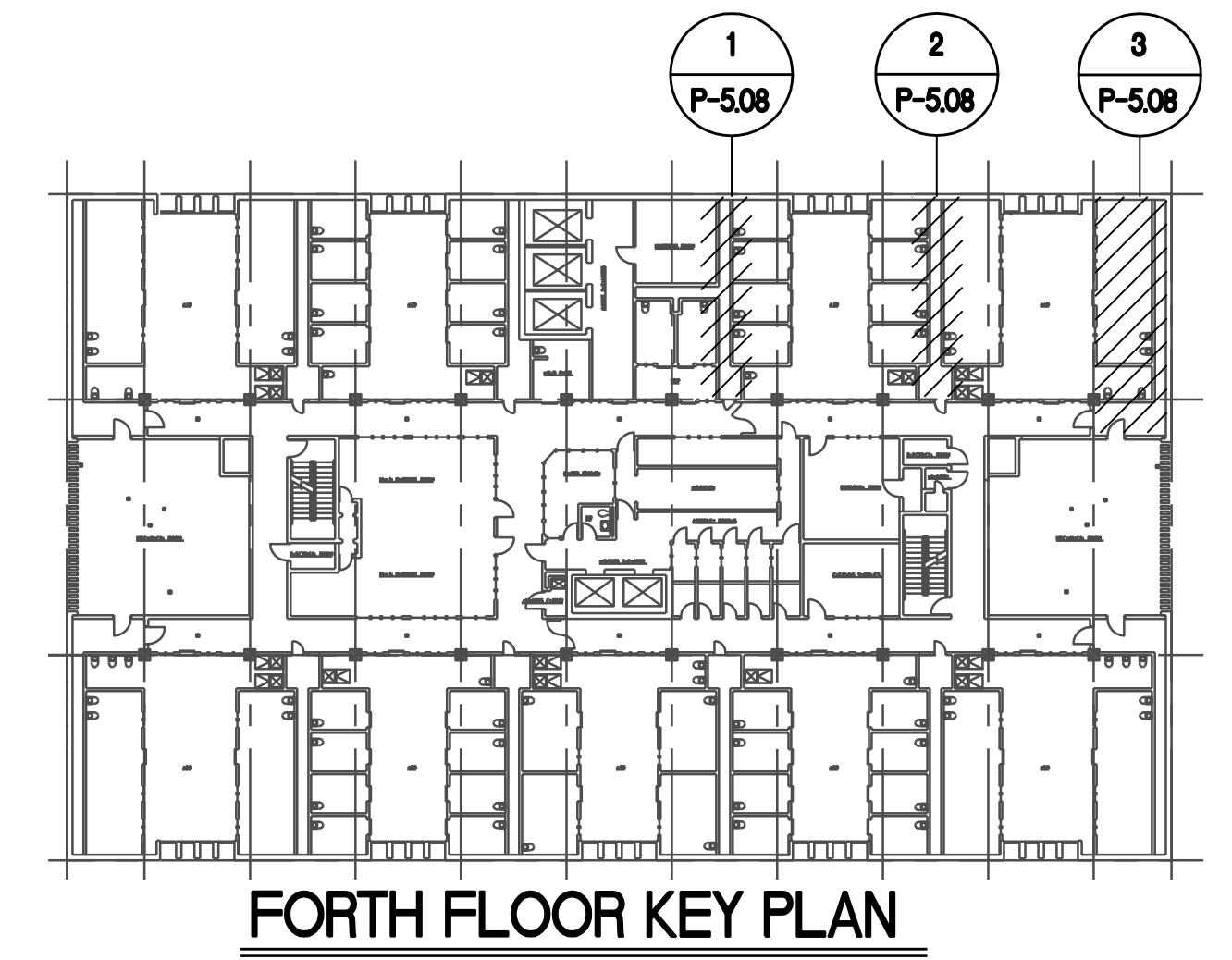
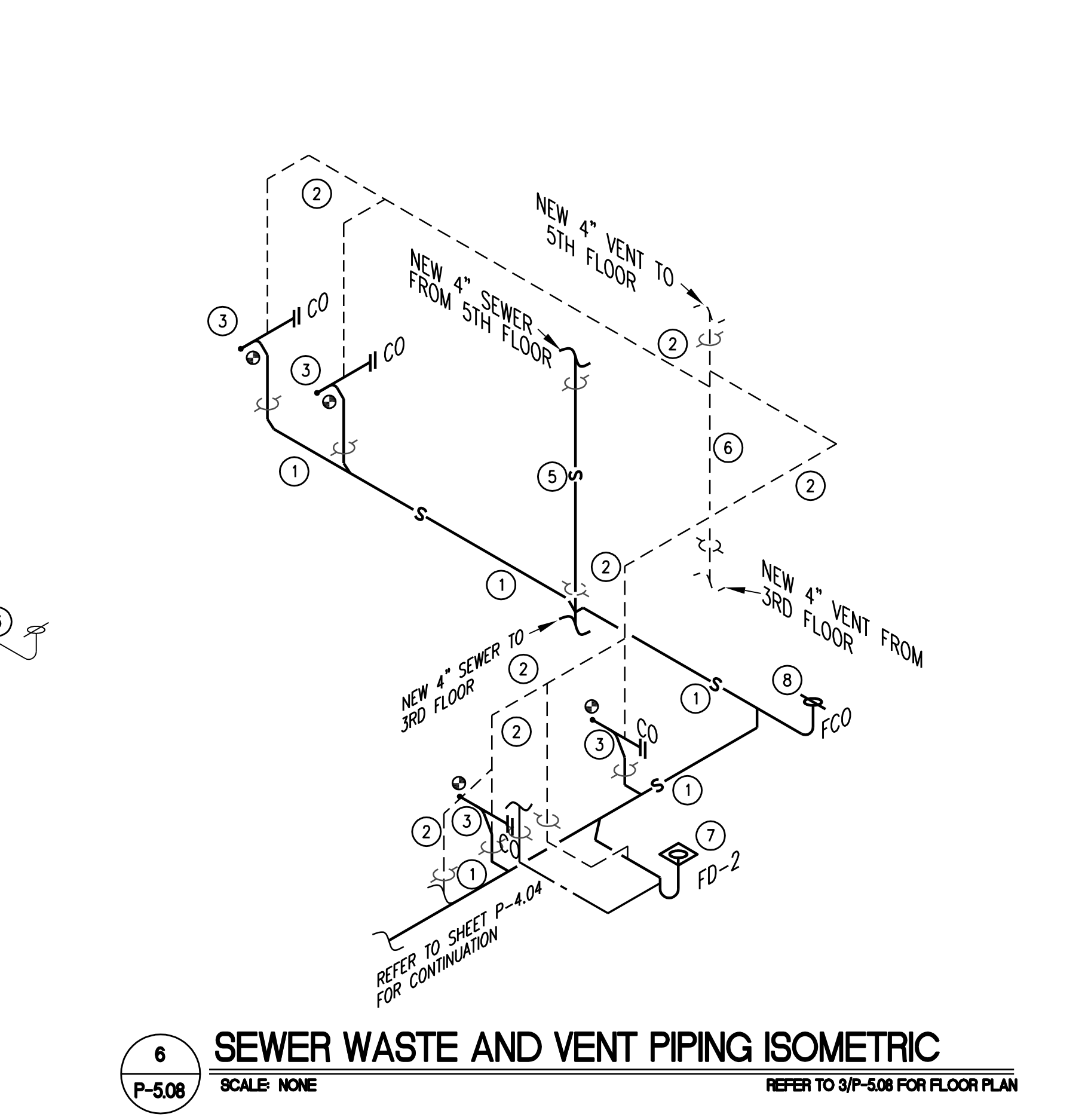
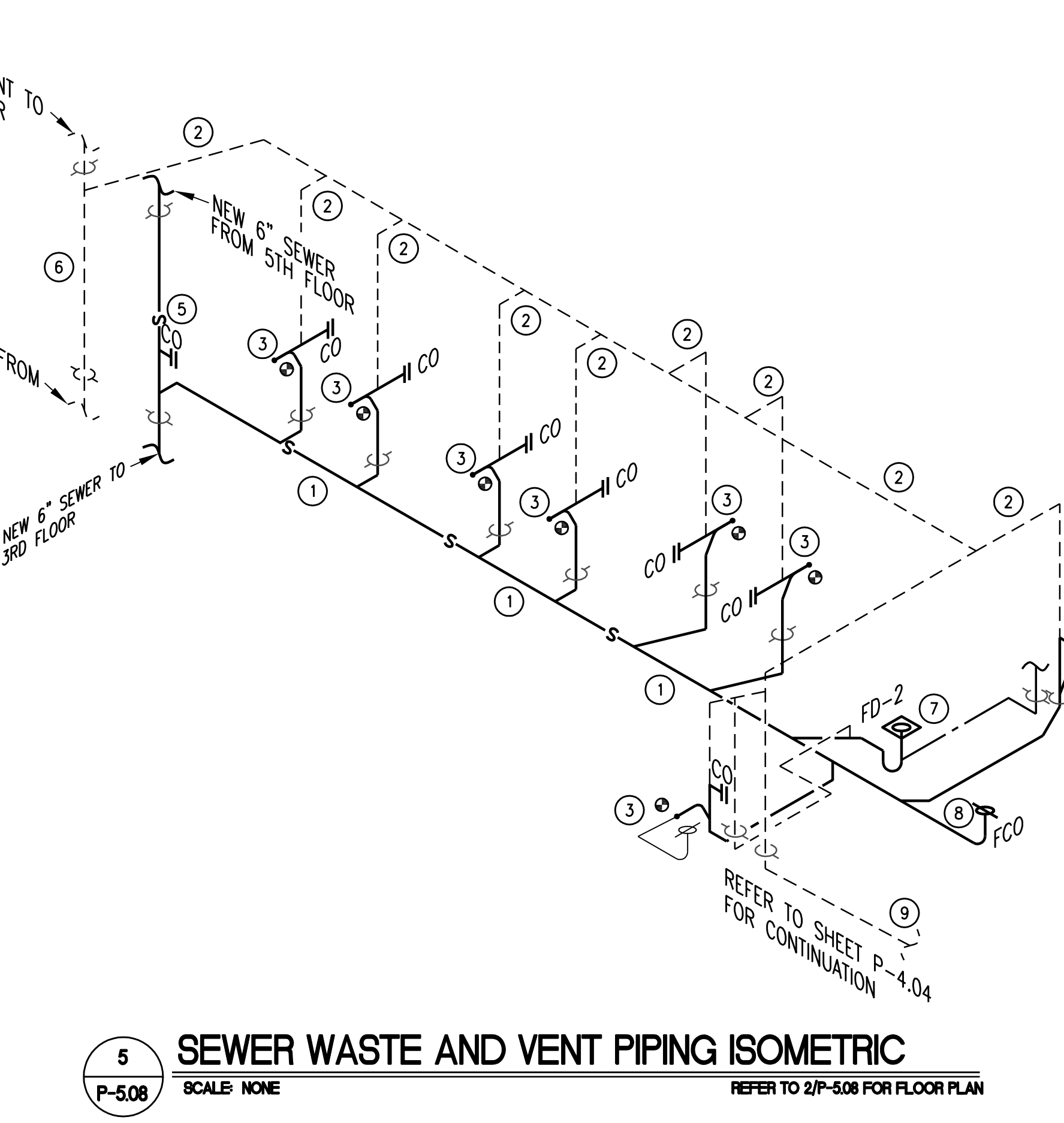
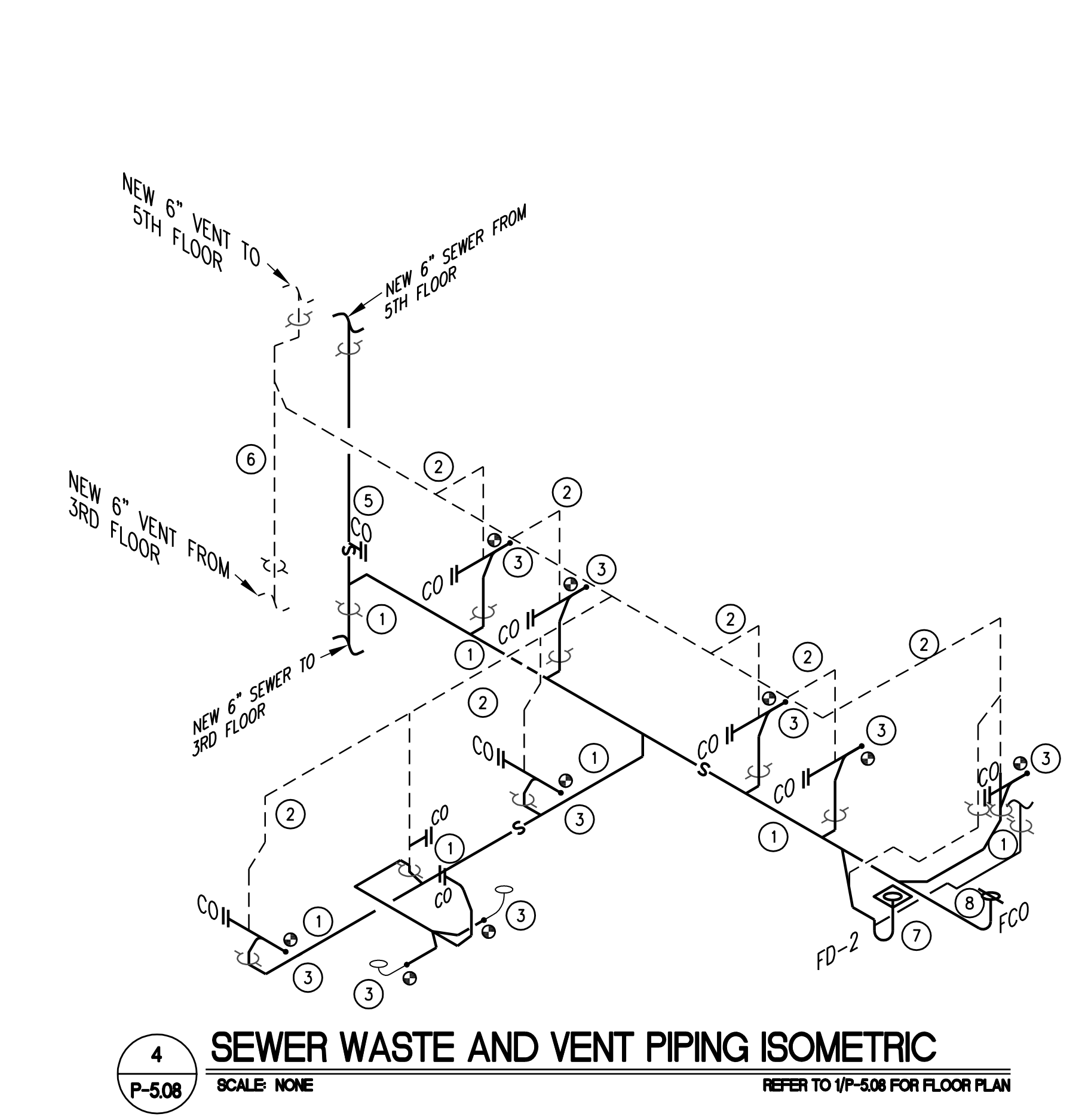


REMODEL PLUMBING GENERAL NOTES:

- 1 THE INTENT IS TO REMODEL REPLACEMENT OF THE SEWER AND VENTING SYSTEMS FOR THE FACILITY. THIS FACILITY IS A 24/7 SECURED OPERATION FACILITY. SO THE CONTRACTOR SHALL COORDINATE ALL DEMOLITION AND REMODEL WORK WITH THE DETENTION PERSONNEL.
- 2 SOME PLUMBING CHASES CONTAIN MECHANICAL DUCTWORK. THE CONTRACTOR SHALL COORDINATE THE INSTALLATION OF NEW SEWER AND VENT PIPING WITH THIS DUCTWORK.

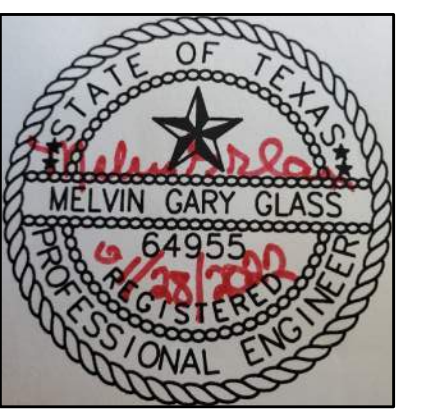
REMODEL PLUMBING KEYED NOTES:

- 1 REPLACE EXISTING SEWER WITH NEW SEWER PIPING AT SIZE AS INDICATED INSTALL AND SUPPORT PIPING PER SCHEMATICS 8/P1.01, 9/P-1.01 AND 12/P-1.01.
- 2 REPLACE EXISTING VENT WITH NEW VENT PIPING AT SIZE AS INDICATED INSTALL AND SUPPORT PIPING PER SCHEMATICS 8/P1.01, 9/P-1.01 AND 12/P-1.01.
- 3 EXISTING SEWER AND VENT PIPING FROM STAND ALONE WC, FLOOR DRAINS, AND SHOWER ASSEMBLIES FIXTURE IS TO REMAIN AND BE RECONNECTED TO THE NEW SEWER MAIN AT WALL/FLOOR PENETRATION AS INDICATED.
- 4 EXISTING FLOOR PENETRATION TO BE FILLED IN WITH CONCRETE TO SEAL THE OPENING.
- 5 NEW MAIN SEWER RISER PIPING IS TO REPLACE THE EXISTING RISER IN THE SAME PLACE IN CHASE TO BE INSTALLED IN SAME LOCATION OF EXISTING MAIN SEWER RISER PIPING, REFER TO SCHEMATIC 8/P-1.01 FOR FLOOR PENETRATION.
- 6 NEW MAIN VENT RISER PIPING IS TO REPLACE THE EXISTING RISER IN THE SAME PLACE IN CHASE TO BE INSTALLED IN SAME LOCATION OF EXISTING MAIN VENT RISER PIPING, REFER TO SCHEMATIC 8/P-1.01 FOR FLOOR PENETRATION.
- 7 NEW FLOOR DRAIN (FD-2) TO BE INSTALLED IN PLUMBING CHASE, REFER TO 11/P-1.01 FOR FURTHER INFORMATION.
- 8 NEW FLOOR CLEANOUT (FCO) TO BE INSTALLED PER SCHEMATIC 1/P-1.01.
- 9 PIPING PENETRATION WALL PER SCHEMATIC 7/P1.01.

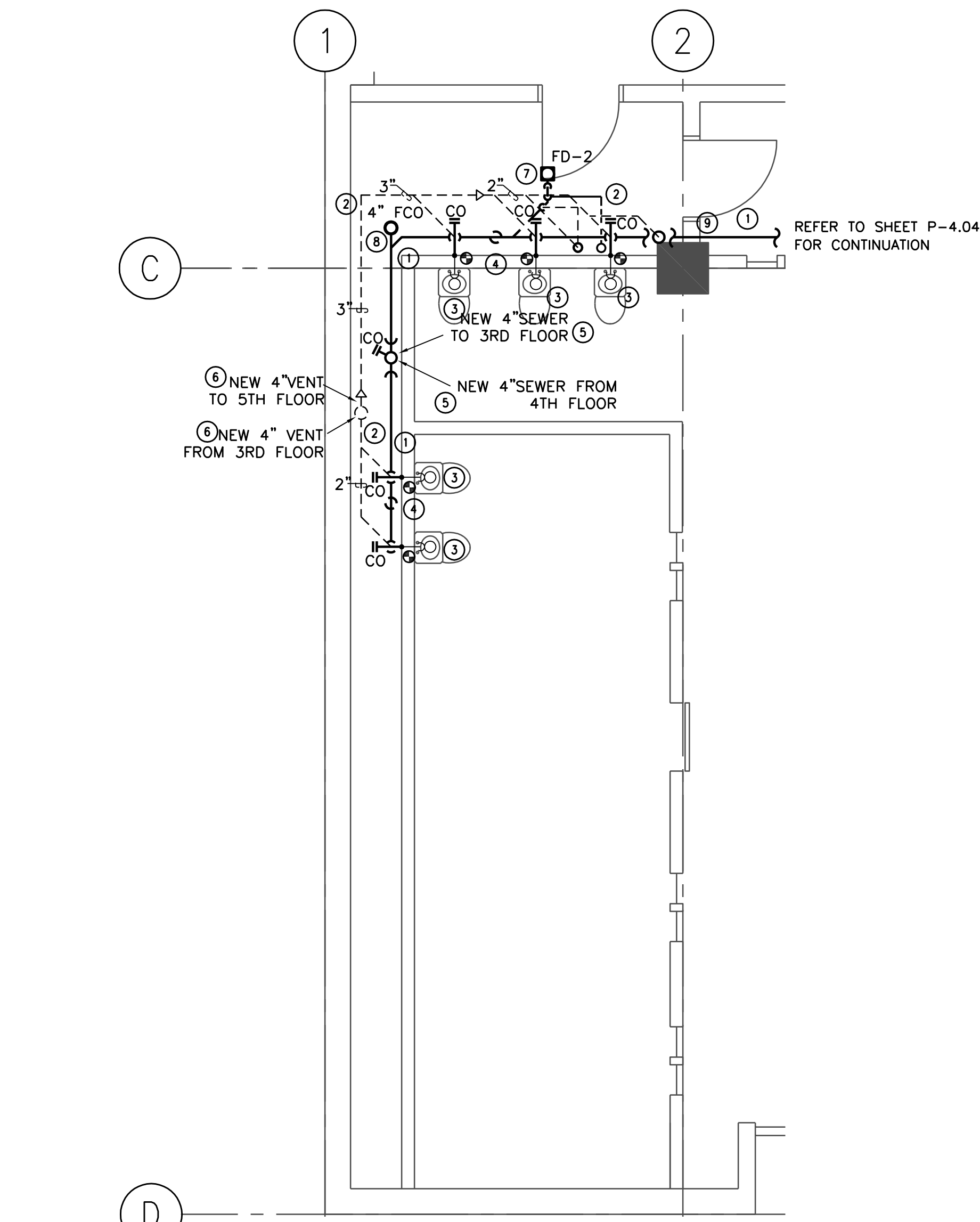


THIS DOCUMENT, WHETHER IN HARD COPY OR MACHINE READABLE FORMAT, IS COPYRIGHTED AND AN INSTRUMENT OF SERVICES IN RESPECT TO THE PROJECT FOR WHICH IT WAS PREPARED. THIS DOCUMENT IS NOT INTENDED OR AUTHORIZED FOR REUSE BY ANY PARTY ON EXTENSIONS OF SUCH PROJECT OR ANY OTHER PROJECT. ANY REUSE, INCLUDING COPYING AND/OR MODIFYING THE DOCUMENT, WITHOUT WRITTEN PERMISSION FROM EMC ENGINEERS FOR THE SPECIFIC PURPOSE INTENDED IS A VIOLATION OF FEDERAL COPYRIGHT LAW. UNAUTHORIZED USE OF THIS MATERIAL MAY RESULT IN CIVIL AND/OR CRIMINAL PENALTIES.
COPY RIGHT 2013 EMC ENGINEERS.

Project:	UPGRADE AND REPLACE THE SANITARY SEWER SYSTEM AT THE EL PASO COUNTY DETENTION FACILITY
Location:	601 E OVERLAND STREET EL PASO, TEXAS
Job Number:	ETC-2108022
Date:	11/23/2021
Scale:	AS SHOWN
Sheet:	P-5.08
63 of:	X

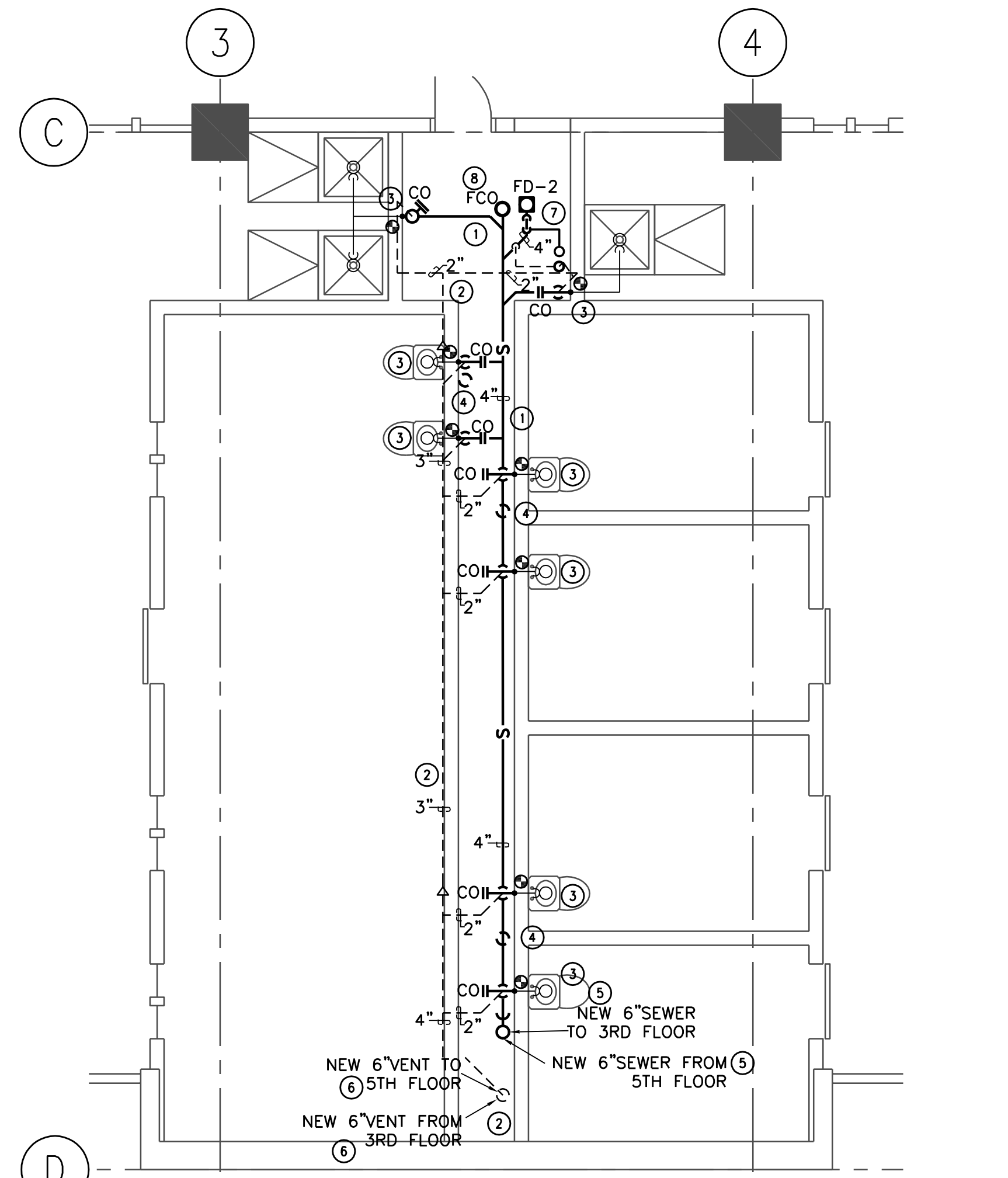


THE SEAL APPEARING ON THIS DOCUMENT WAS AUTHORIZED BY MELVIN G. GLASS, P.E. #64935 OF EMC ENGINEERS (TEXAS FIRM REG. #24991) ON JANUARY 28, 2022. ALTERATION OF A SEALED DOCUMENT WITHOUT PROPER NOTIFICATION TO THE RESPONSIBLE ENGINEER IS AN OFFENSE UNDER THE TEXAS ENGINEERING PRACTICE ACT.



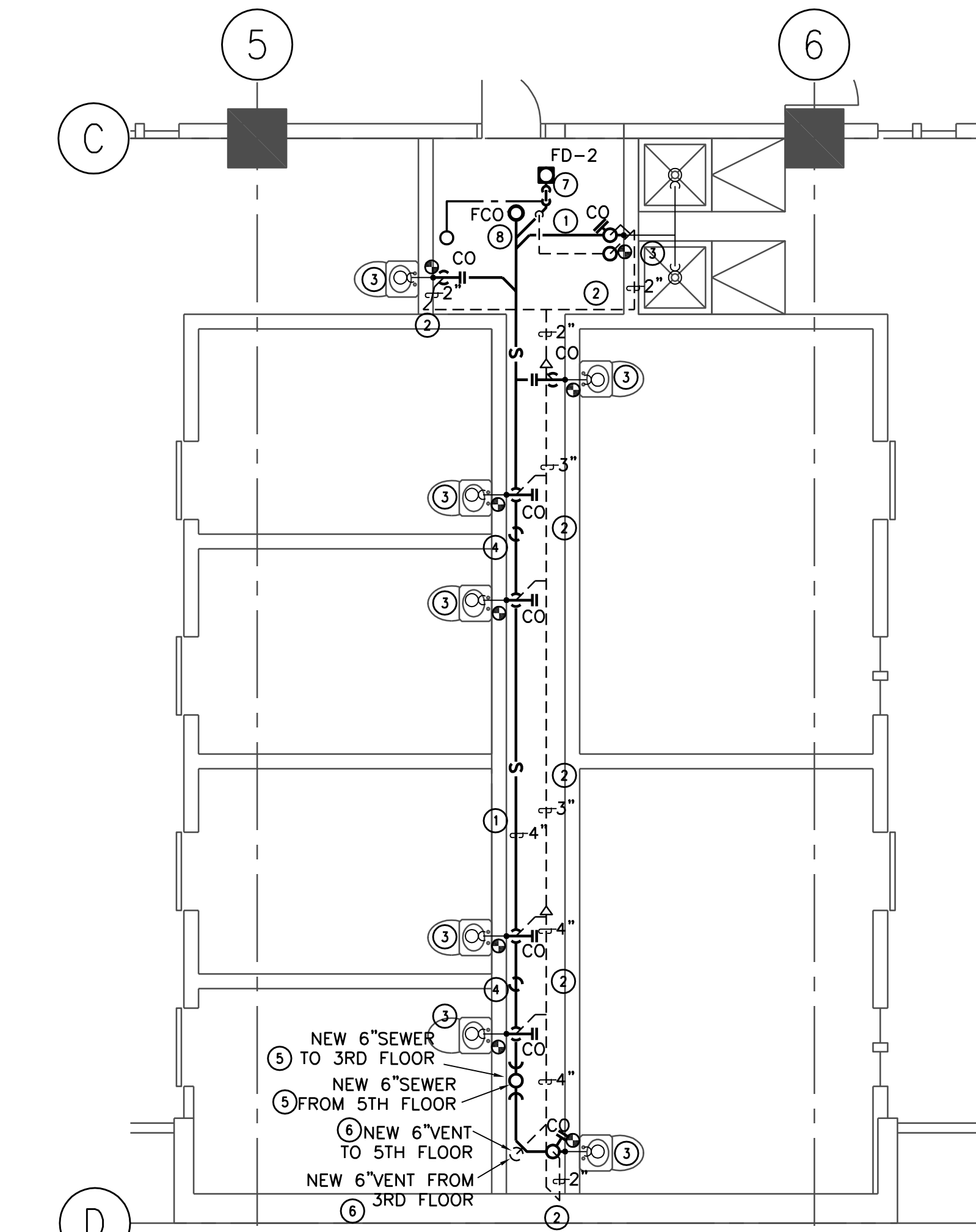
FOURTH FLOOR ENLARGED REMODEL PLUMBING SEWER WASTE AND VENT PIPING FLOOR PLAN

1 P-5.09 SCALE: 1/4" = 1'-0" REFER TO DEMOLITION PLAN 1/P-3.04



FOURTH FLOOR ENLARGED REMODEL PLUMBING SEWER WASTE AND VENT PIPING FLOOR PLAN

2 P-5.09 SCALE: 1/4" = 1'-0" REFER TO DEMOLITION PLAN 2/P-3.04



FOURTH FLOOR ENLARGED REMODEL PLUMBING SEWER WASTE AND VENT PIPING FLOOR PLAN

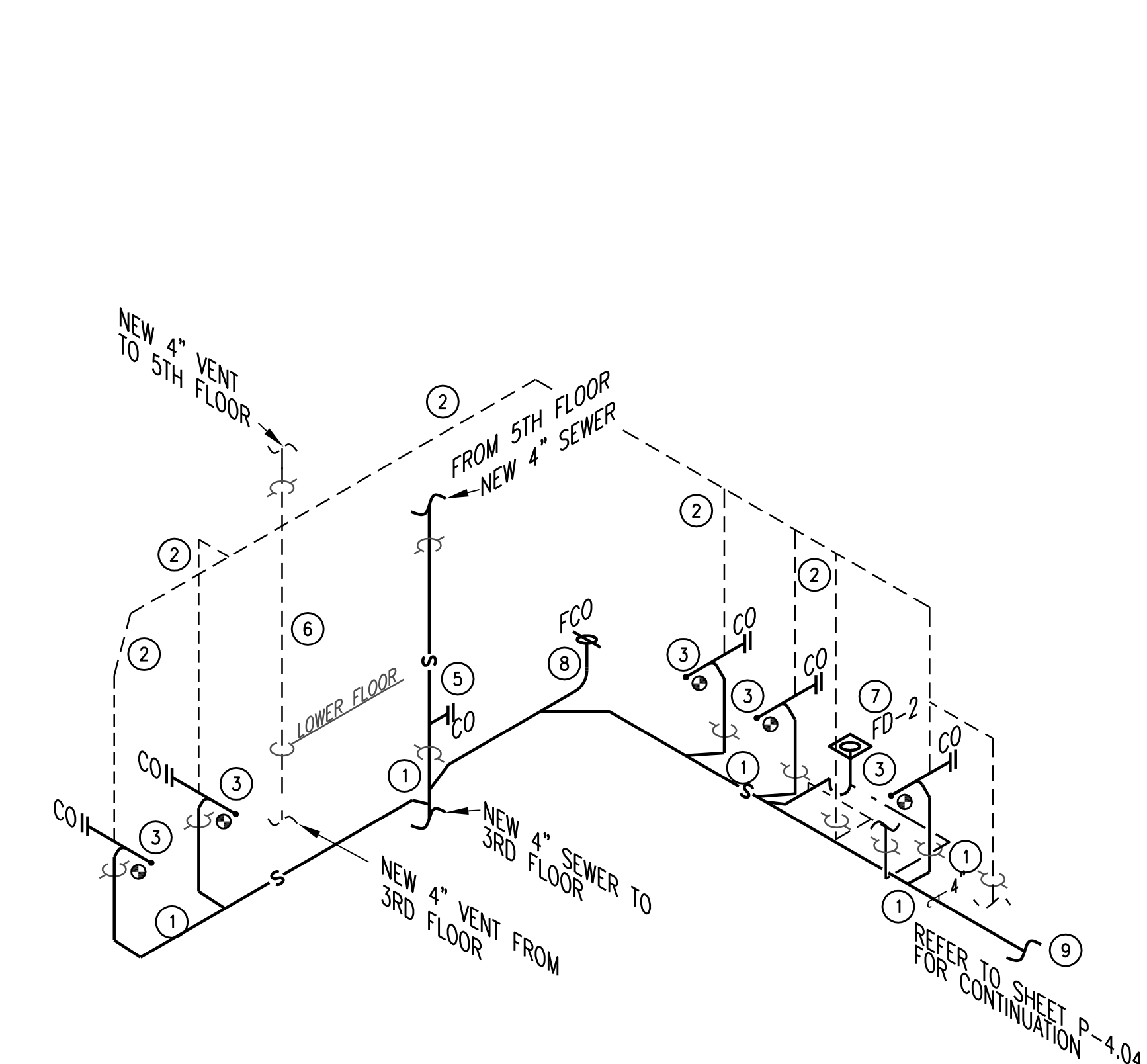
3 P-5.09 SCALE: 1/4" = 1'-0" REFER TO DEMOLITION PLAN 3/P-3.04

REMODEL PLUMBING GENERAL NOTES:

- 1 THE INTENT IS TO REMODEL REPLACEMENT OF THE SEWER AND VENTING SYSTEMS FOR THE FACILITY. THIS FACILITY IS A 24/7 SECURED OPERATION FACILITY. SO THE CONTRACTOR SHALL COORDINATE ALL DEMOLITION AND REMODEL WORK WITH THE DETENTION PERSONNEL.
- 2 SOME PLUMBING CHASES CONTAIN MECHANICAL DUCTWORK, THE CONTRACTOR SHALL COORDINATE THE INSTALLATION OF NEW SEWER AND VENT PIPING WITH THIS DUCTWORK.

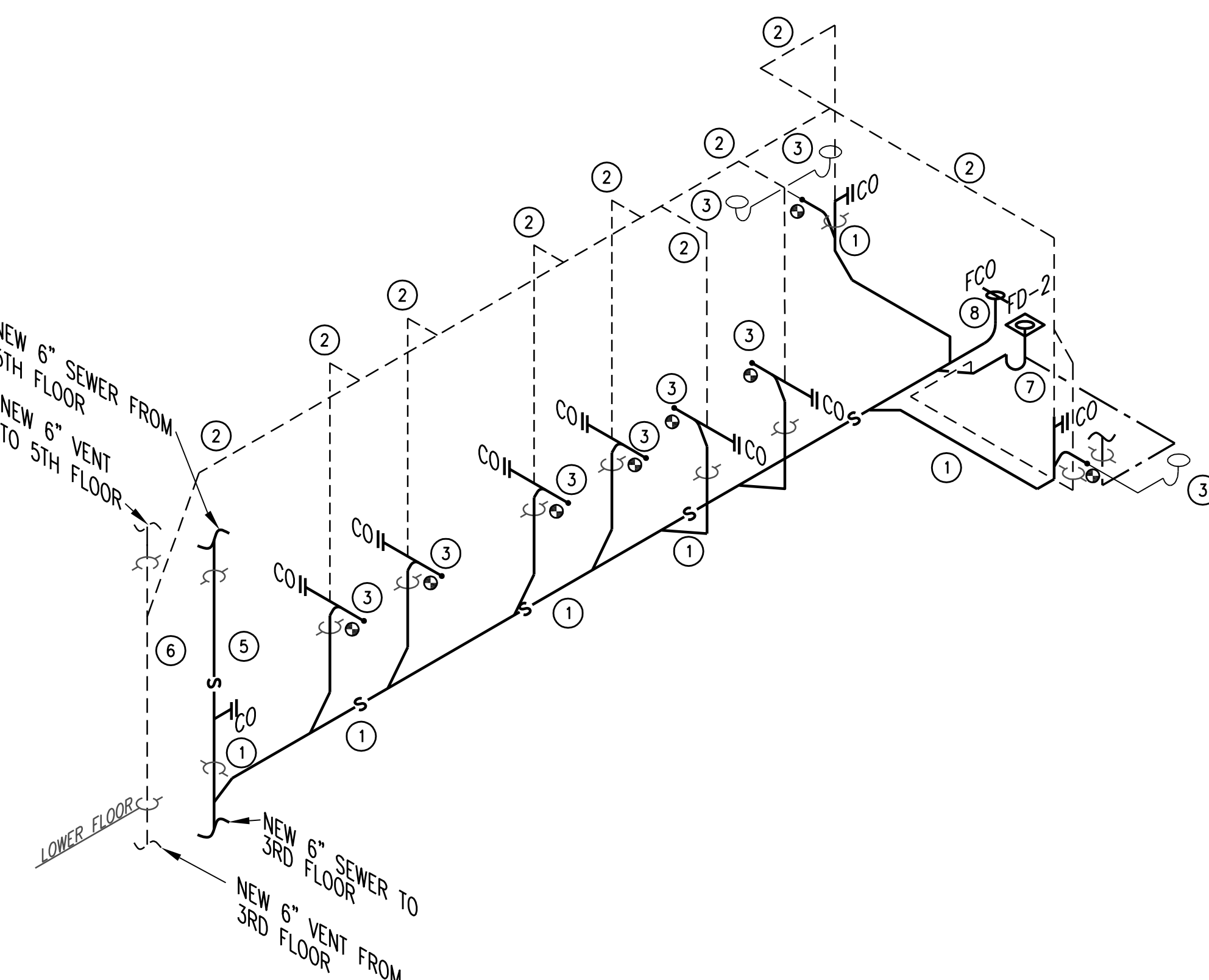
REMODEL PLUMBING KEYED NOTES:

- 1 REPLACE EXISTING SEWER WITH NEW SEWER PIPING AT SIZE AS INDICATED INSTALL AND SUPPORT PIPING PER SCHEMATICS 8/P.1.01, 9/P-1.01 AND 12/P-1.01.
- 2 REPLACE EXISTING VENT WITH NEW VENT PIPING AT SIZE AS INDICATED INSTALL AND SUPPORT PIPING PER SCHEMATICS 8/P.1.01, 9/P-1.01 AND 12/P-1.01.
- 3 EXISTING SEWER AND VENT PIPING FROM STAND ALONE WC, FLOOR DRAINS, AND SHOWER ASSEMBLES FIXTURE IS TO REMAIN AND BE RECONNECTED TO THE NEW SEWER MAIN AT WALL/FLOOR PENETRATION AS INDICATED.
- 4 EXISTING FLOOR PENETRATION TO BE FILLED IN WITH CONCRETE TO SEAL THE OPENING.
- 5 NEW MAIN SEWER RISER PIPING IS TO REPLACE THE EXISTING RISER IN THE SAME PLACE IN CHASE TO BE INSTALLED IN SAME LOCATION OF EXISTING MAIN SEWER RISER PIPING, REFER TO SCHEMATIC 8/P-1.01 FOR FLOOR PENETRATION.
- 6 NEW MAIN VENT RISER PIPING IS TO REPLACE THE EXISTING RISER IN THE SAME PLACE IN CHASE TO BE INSTALLED IN SAME LOCATION OF EXISTING MAIN VENT RISER PIPING, REFER TO SCHEMATIC 8/P-1.01 FOR FLOOR PENETRATION.
- 7 NEW FLOOR DRAIN (FD-2) TO BE INSTALLED IN PLUMBING CHASE, REFER TO 11/P-1.01 FOR FURTHER INFORMATION.
- 8 NEW FLOOR CLEANOUT (FCO) TO BE INSTALLED PER SCHEMATIC 1/P-1.01.
- 9 PIPING PENETRATION WALL PER SCHEMATIC 7/P.1.01.



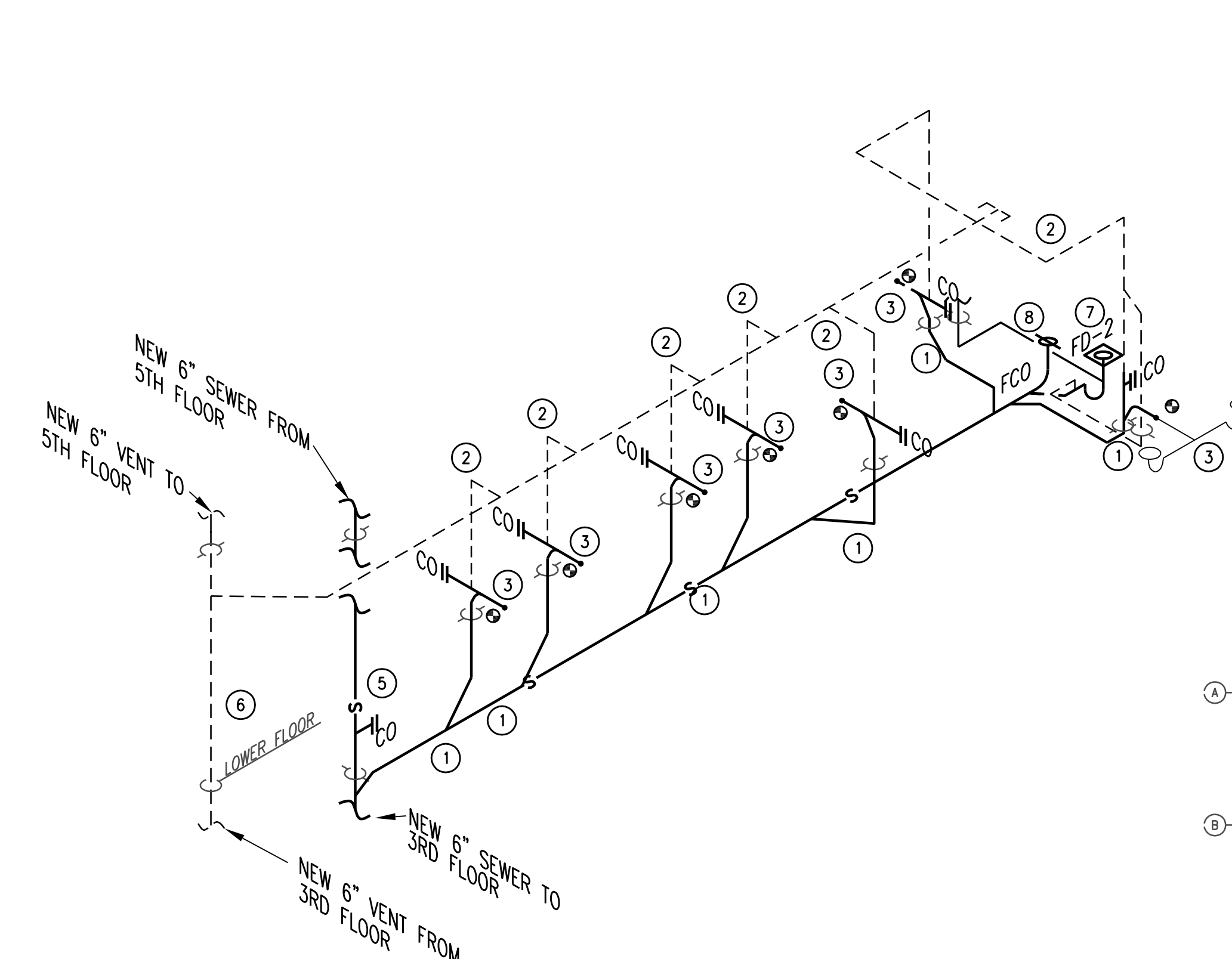
SEWER WASTE AND VENT PIPING ISOMETRIC

4 P-5.09 SCALE: NONE REFER TO 1/P-5.09 FOR FLOOR PLAN



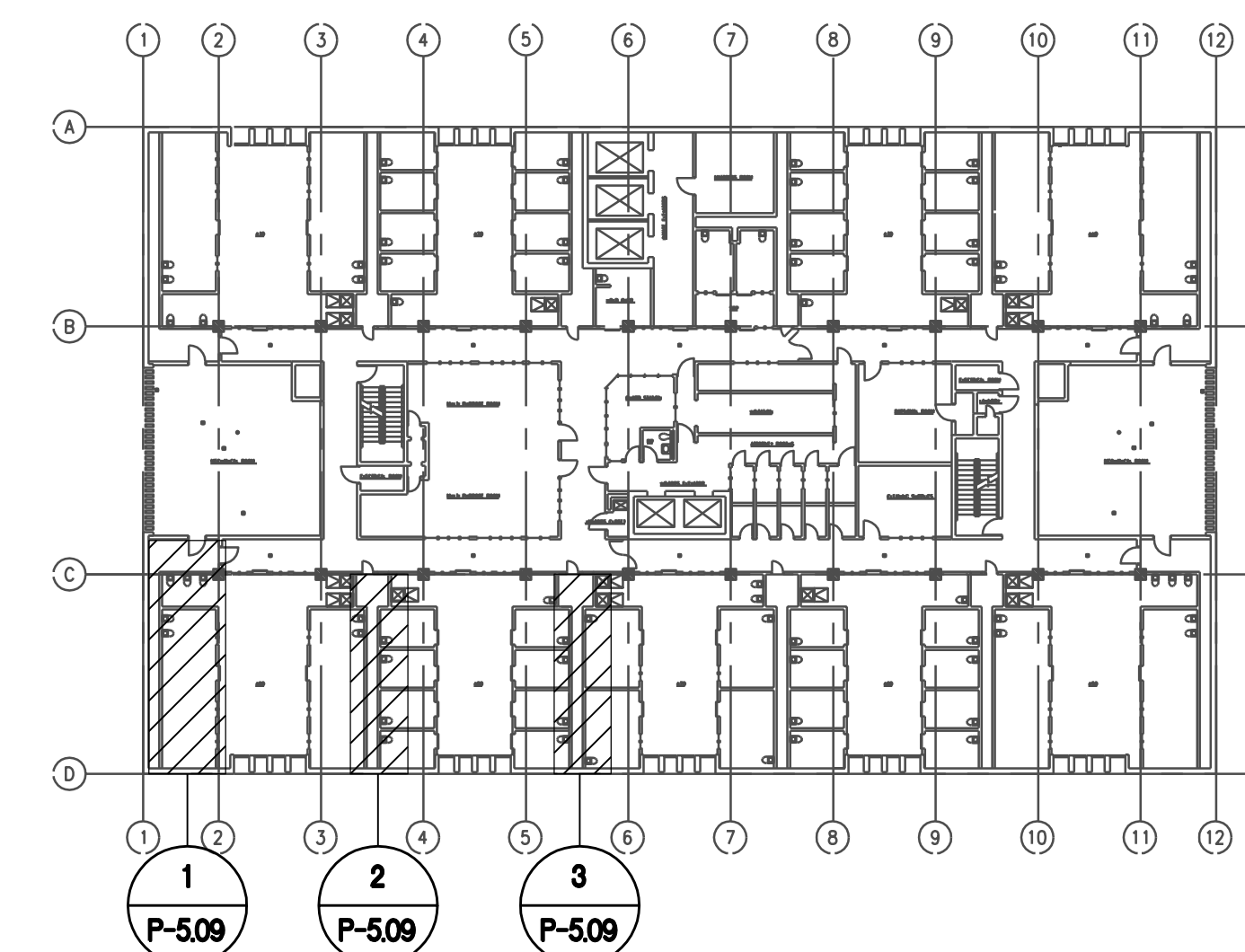
SEWER WASTE AND VENT PIPING ISOMETRIC

5 P-5.09 SCALE: NONE REFER TO 2/P-5.09 FOR FLOOR PLAN



SEWER WASTE AND VENT PIPING ISOMETRIC

6 P-5.09 SCALE: NONE REFER TO 3/P-5.09 FOR FLOOR PLAN



FOURTH FLOOR KEY PLAN

SCALE: NONE

THIS DOCUMENT, WHETHER IN HARD COPY OR MACHINE READABLE FORMAT, IS COPYRIGHTED AND AN INSTRUMENT OF SERVICES IN RESPECT TO THE PROJECT FOR WHICH IT WAS PREPARED. THIS DOCUMENT IS NOT INTENDED OR AUTHORIZED FOR REUSE BY ANY PARTY ON EXTENSIONS OF SUCH PROJECT OR ANY OTHER PROJECT. ANY REUSE, INCLUDING COPYING AND/OR MODIFYING THE DOCUMENT, WITHOUT WRITTEN PERMISSION FROM EMC ENGINEERS FOR THE SPECIFIC PURPOSE INTENDED IS A VIOLATION OF FEDERAL COPYRIGHT LAW. UNAUTHORIZED USE OF THIS MATERIAL MAY RESULT IN CIVIL AND/OR CRIMINAL PENALTIES. COPY RIGHT 2013 EMC ENGINEERS.

Project:	UPGRADE AND REPLACE THE SANITARY SEWER SYSTEM AT THE EL PASO COUNTY DETENTION FACILITY
Location:	601 E OVERLAND STREET EL PASO, TEXAS
Job Number:	EMC-2108022
Date:	11/23/2021
Scale:	AS SHOWN
Sheet:	P-5.09
64 of: X	

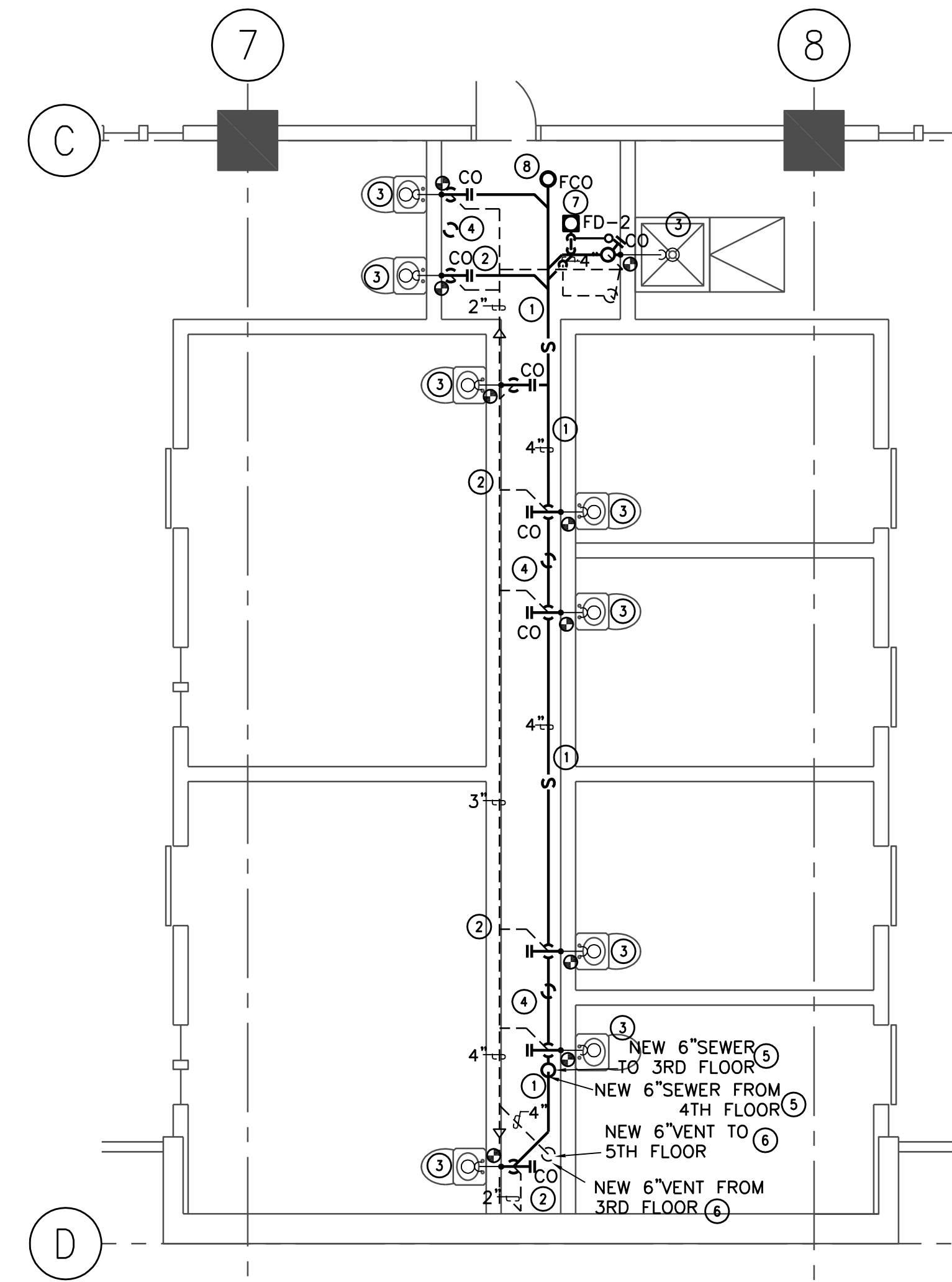
Rev.#	Date	Initial	Description
1			EMC
2			EMC
3			EMC

EMC ENGINEERS
2311 E. BUSINESS AVENUE, SUITE 100
EL PASO, TEXAS 79901
TEL: 915-781-2000
FAX: 915-781-2005
TEXAS FIRM REG. #4303
EMC PROJECT #2108022



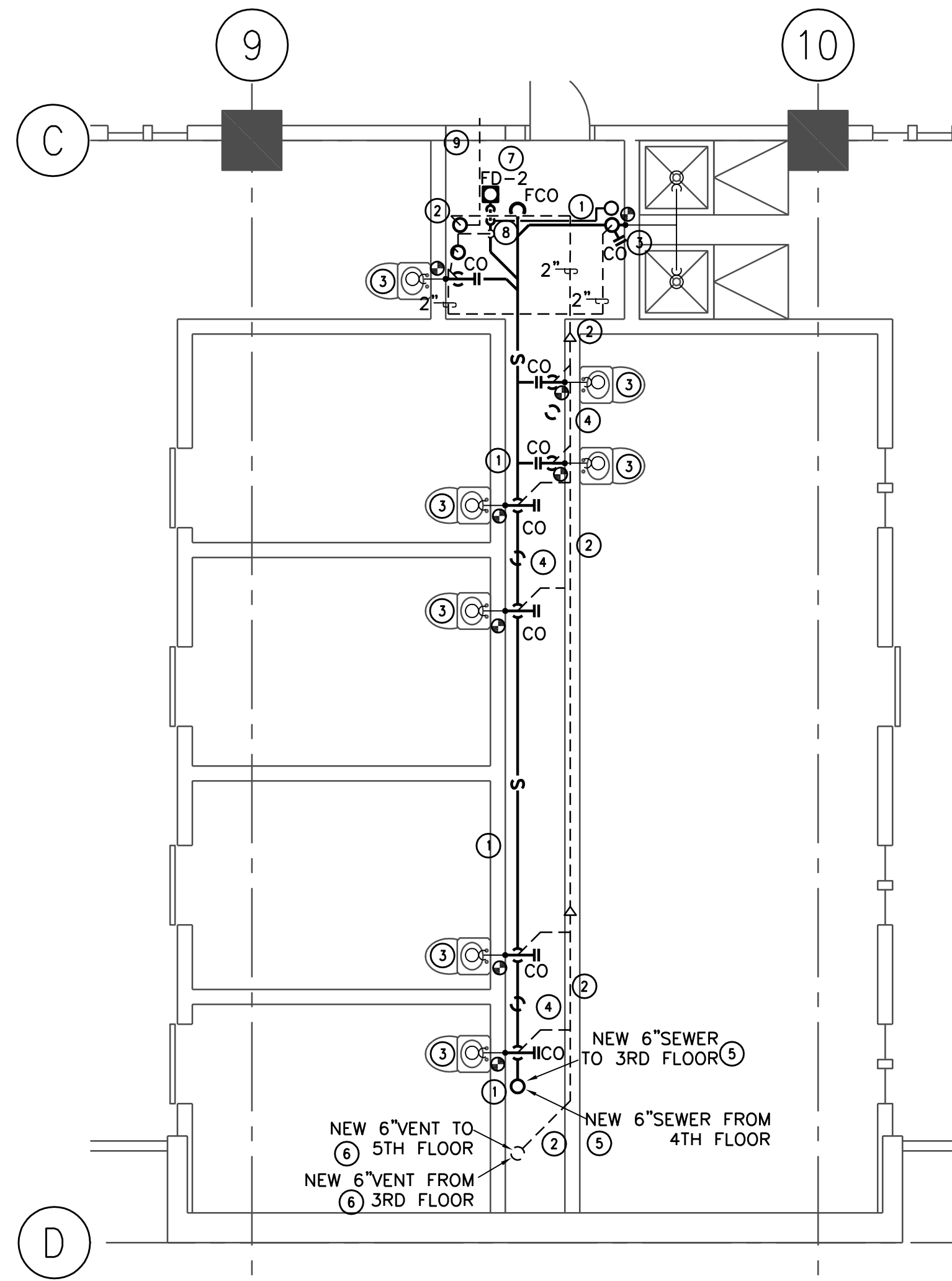


THE SEAL APPEARING ON THIS DOCUMENT WAS AUTHORIZED BY MELVIN G. GLASS, P.E. #64935 OF EMC ENGINEERS (TEXAS FIRM REG. #24991) ON JANUARY 28, 2022. ANY ALTERATION OR REPRODUCTION WITHOUT PROPER NOTIFICATION TO THE RESPONSIBLE ENGINEER IS AN OFFENSE UNDER THE TEXAS ENGINEERING PRACTICE ACT.



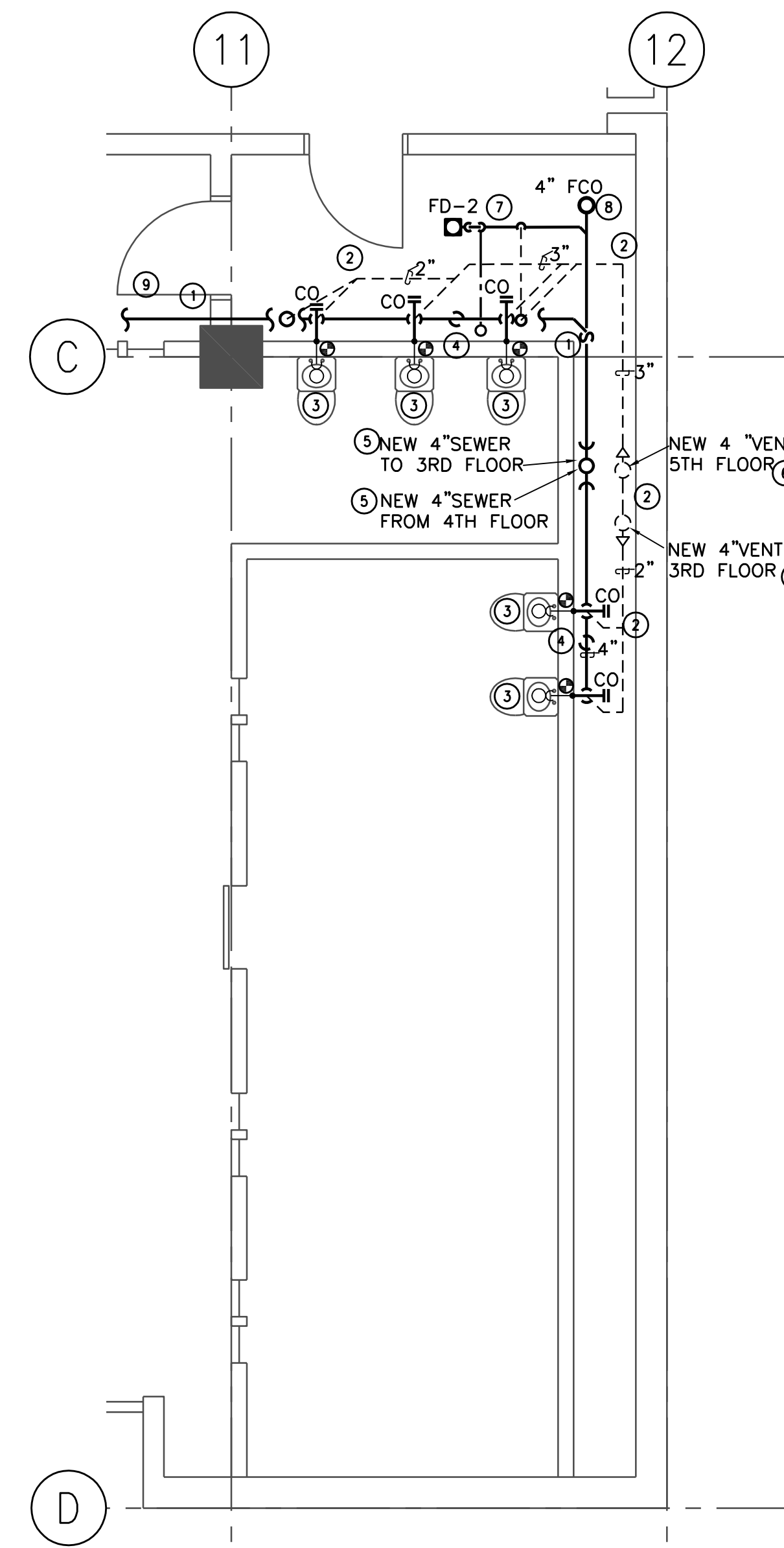
FOURTH FLOOR ENLARGED REMODEL PLUMBING SEWER WASTE AND VENT PIPING FLOOR PLAN

1 P-510 SCALE: 1/4" = 1'-0" REFER TO DEMOLITION PLAN 4/P-304



FOURTH FLOOR ENLARGED REMODEL PLUMBING SEWER WASTE AND VENT PIPING FLOOR PLAN

2 P-510 SCALE: 1/4" = 1'-0" REFER TO DEMOLITION PLAN 5/P-304



FOURTH FLOOR ENLARGED REMODEL PLUMBING SEWER WASTE AND VENT PIPING FLOOR PLAN

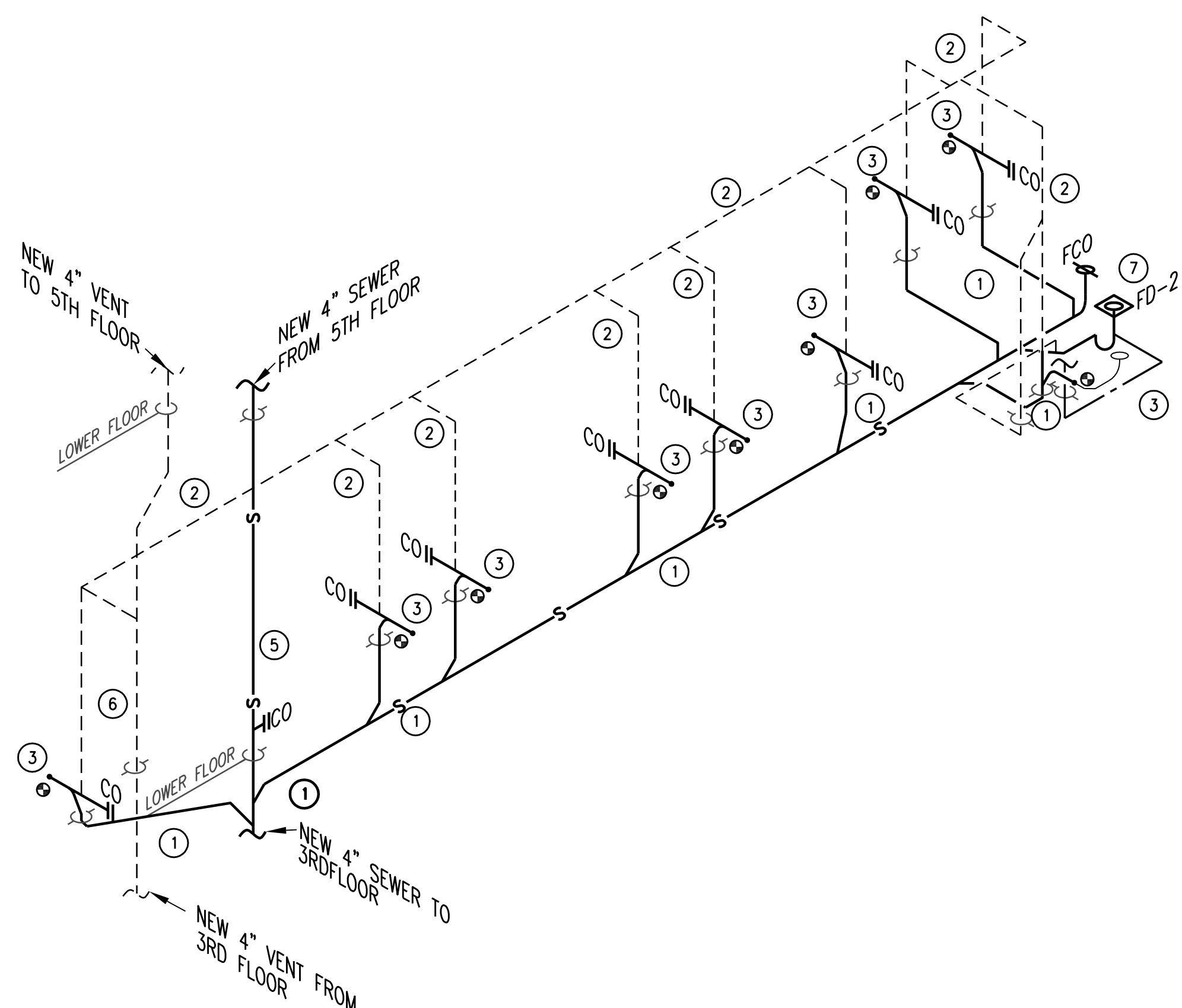
3 P-510 SCALE: 1/4" = 1'-0" REFER TO DEMOLITION PLAN 6/P-304

REMODEL PLUMBING GENERAL NOTES:

- 1 THE INTENT IS TO REMODEL REPLACEMENT OF THE SEWER AND VENTING SYSTEMS FOR THE FACILITY. THIS FACILITY IS A 24/7 SECURED OPERATION FACILITY, SO THE CONTRACTOR SHALL COORDINATE ALL DEMOLITION AND REMODEL WORK WITH THE DETENTION PERSONNEL.
- 2 SOME PLUMBING CHASES CONTAIN MECHANICAL DUCTWORK, THE CONTRACTOR SHALL COORDINATE THE INSTALLATION OF NEW SEWER AND VENT PIPING WITH THIS DUCTWORK.

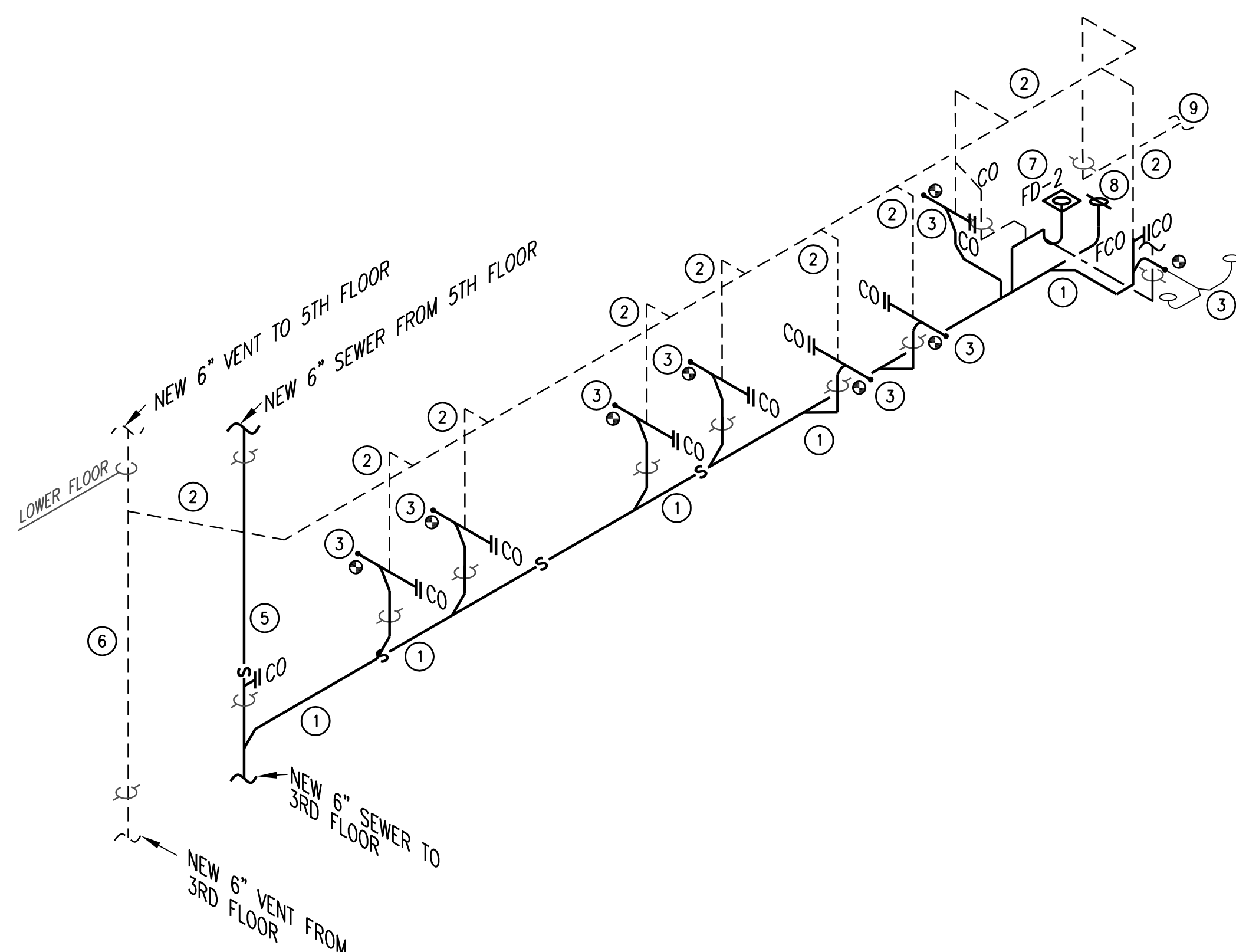
REMODEL PLUMBING KEYED NOTES:

- 1 REPLACE EXISTING SEWER WITH NEW SEWER PIPING AT SIZE AS INDICATED INSTALL AND SUPPORT PIPING PER SCHEMATICS 8/P1.01, 9/P-1.01 AND 12/P-1.01.
- 2 REPLACE EXISTING VENT WITH NEW VENT PIPING AT SIZE AS INDICATED INSTALL AND SUPPORT PIPING PER SCHEMATICS 8/P1.01, 9/P-1.01 AND 12/P-1.01.
- 3 EXISTING SEWER AND VENT PIPING FROM STAND ALONE WC, FLOOR DRAINS, AND SHOWER ASSEMBLY FIXTURE IS TO REMAIN AND BE RECONNECTED TO THE NEW SEWER MAIN AT WALL/FLOOR PENETRATION AS INDICATED.
- 4 EXISTING FLOOR PENETRATION TO BE FILLED IN WITH CONCRETE TO SEAL THE OPENING.
- 5 NEW MAIN SEWER RISER PIPING IS TO REPLACE THE EXISTING RISER IN THE SAME PLACE IN CHASE TO BE INSTALLED IN SAME LOCATION OF EXISTING MAIN SEWER RISER PIPING, REFER TO SCHEMATIC 8/P-1.01 FOR FLOOR PENETRATION.
- 6 NEW MAIN VENT RISER PIPING IS TO REPLACE THE EXISTING RISER IN THE SAME PLACE IN CHASE TO BE INSTALLED IN SAME LOCATION OF EXISTING MAIN VENT RISER PIPING, REFER TO SCHEMATIC 8/P-1.01 FOR FLOOR PENETRATION.
- 7 NEW FLOOR DRAIN (FD-2) TO BE INSTALLED IN PLUMBING CHASE, REFER TO 11/P-1.01 FOR FURTHER INFORMATION.
- 8 NEW FLOOR CLEANOUT (FCO) TO BE INSTALLED PER SCHEMATIC 1/P-1.01.
- 9 PIPING PENETRATION WALL PER SCHEMATIC 7/P1.01.



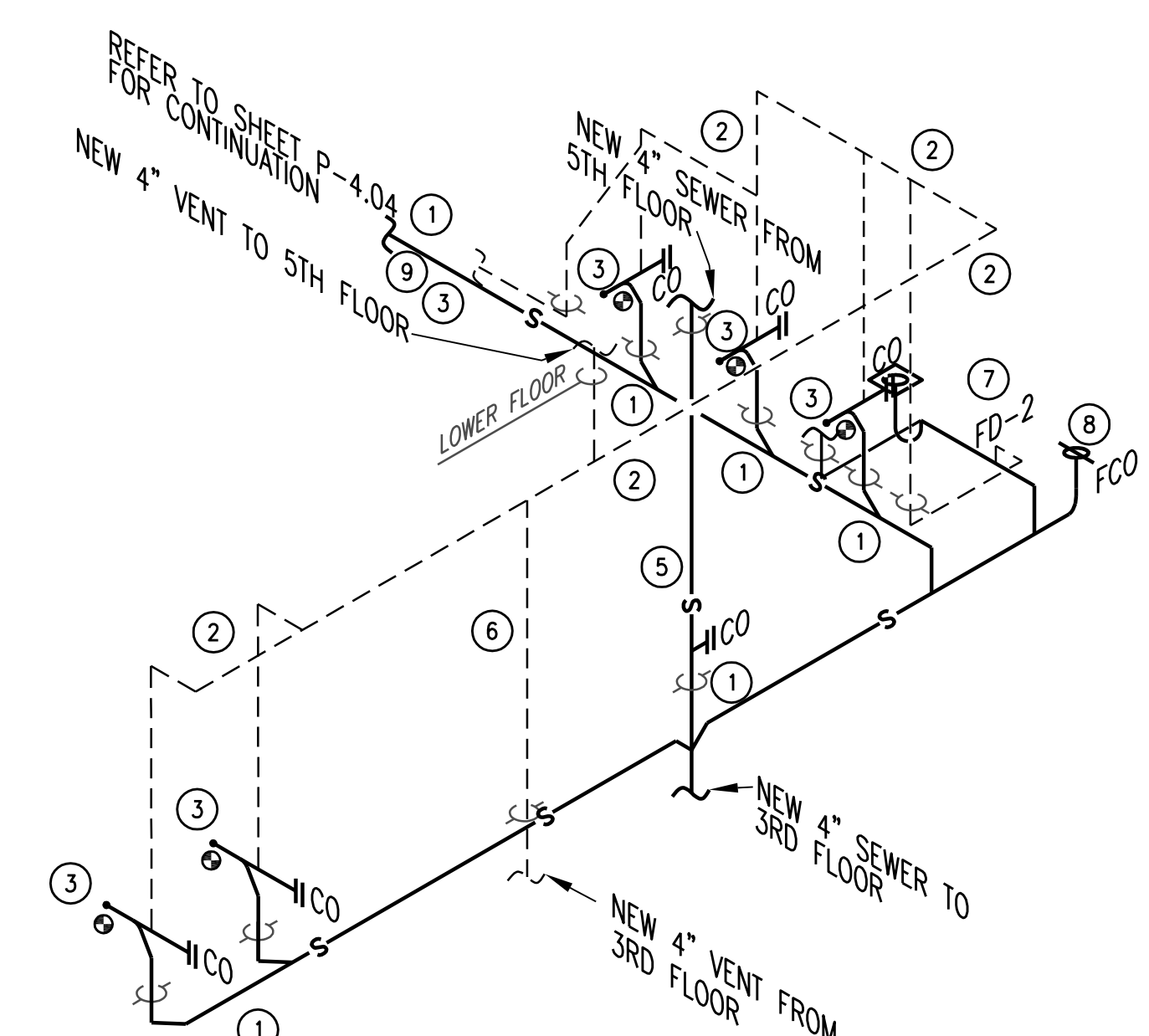
SEWER WASTE AND VENT PIPING ISOMETRIC

4 P-510 SCALE: NONE REFER TO 1/P-510 FOR FLOOR PLAN



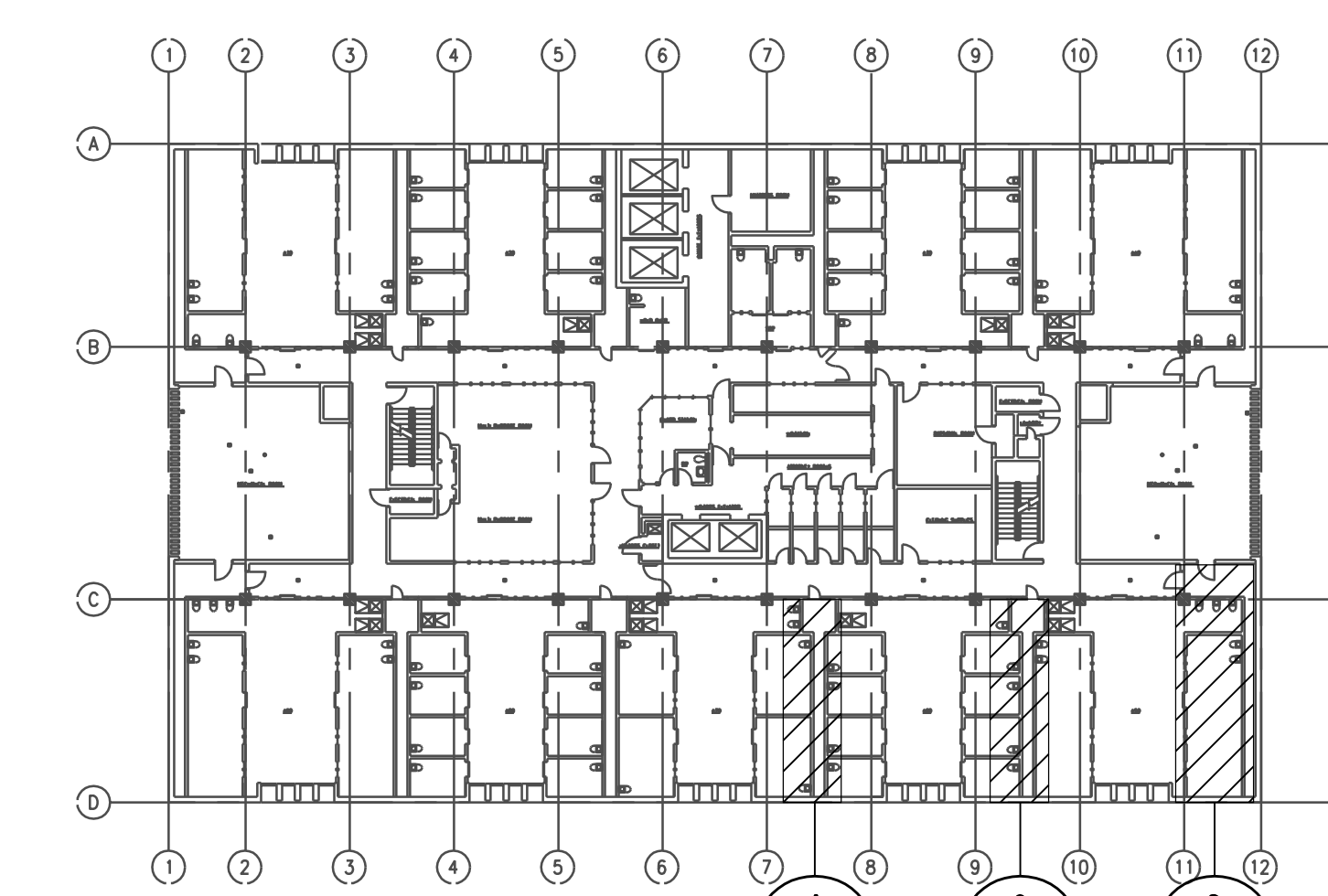
SEWER WASTE AND VENT PIPING ISOMETRIC

5 P-510 SCALE: NONE REFER TO 2/P-510 FOR FLOOR PLAN



SEWER WASTE AND VENT PIPING ISOMETRIC

6 P-510 SCALE: NONE REFER TO 3/P-510 FOR FLOOR PLAN

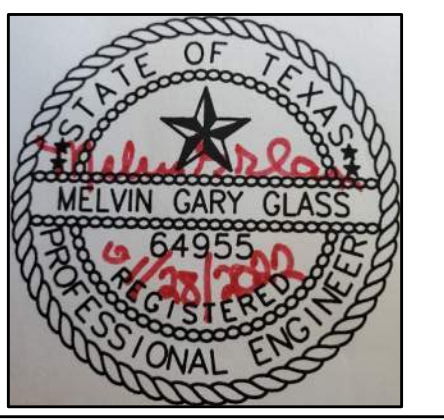


FOURTH FLOOR KEY PLAN

SCALE: NONE

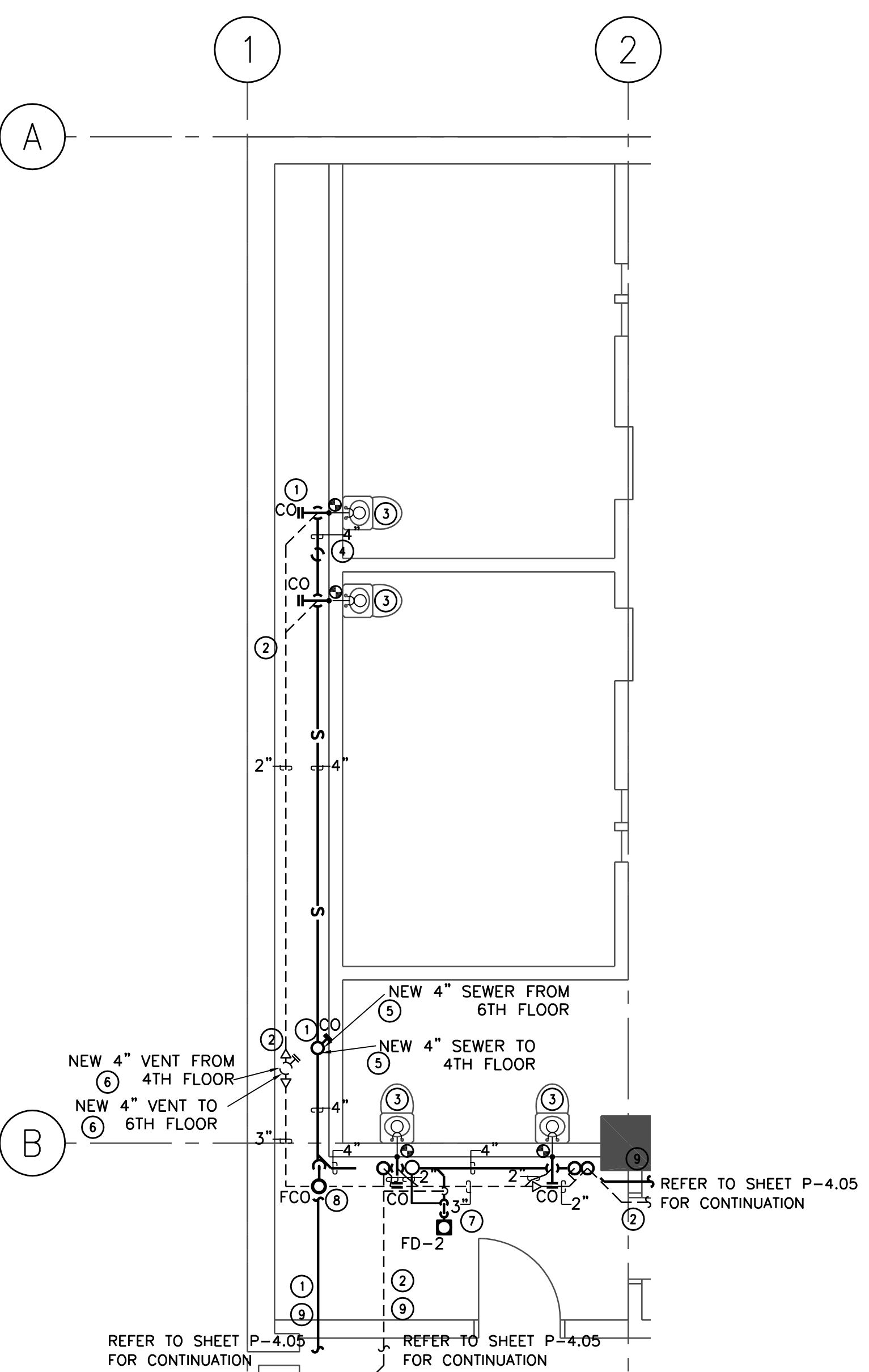
THIS DOCUMENT, WHETHER IN HARD COPY OR MACHINE READABLE FORMAT, IS COPYRIGHTED AND AN INSTRUMENT OF SERVICES IN RESPECT TO THE PROJECT FOR WHICH IT WAS PREPARED. THIS DOCUMENT IS NOT INTENDED OR AUTHORIZED FOR REUSE BY ANY PARTY ON EXTENSIONS OF SUCH PROJECT OR ANY OTHER PROJECT. ANY REUSE, INCLUDING COPYING AND/OR MODIFYING THE DOCUMENT, WITHOUT WRITTEN PERMISSION FROM EMC ENGINEERS FOR THE SPECIFIC PURPOSE INTENDED IS A VIOLATION OF FEDERAL COPYRIGHT LAW. UNAUTHORIZED USE OF THIS MATERIAL MAY RESULT IN CIVIL AND/OR CRIMINAL PENALTIES. COPY RIGHT 2013 EMC ENGINEERS.

Project:	UPGRADE AND REPLACE THE SANITARY SEWER SYSTEM AT THE EL PASO COUNTY DETENTION FACILITY
Location:	601 E OVERLAND STREET EL PASO, TEXAS
Job Number:	ETC-2108022
Date:	11/23/2021
Scale:	A5 SHOWN
Sheet:	P-5.10
65 of: X	

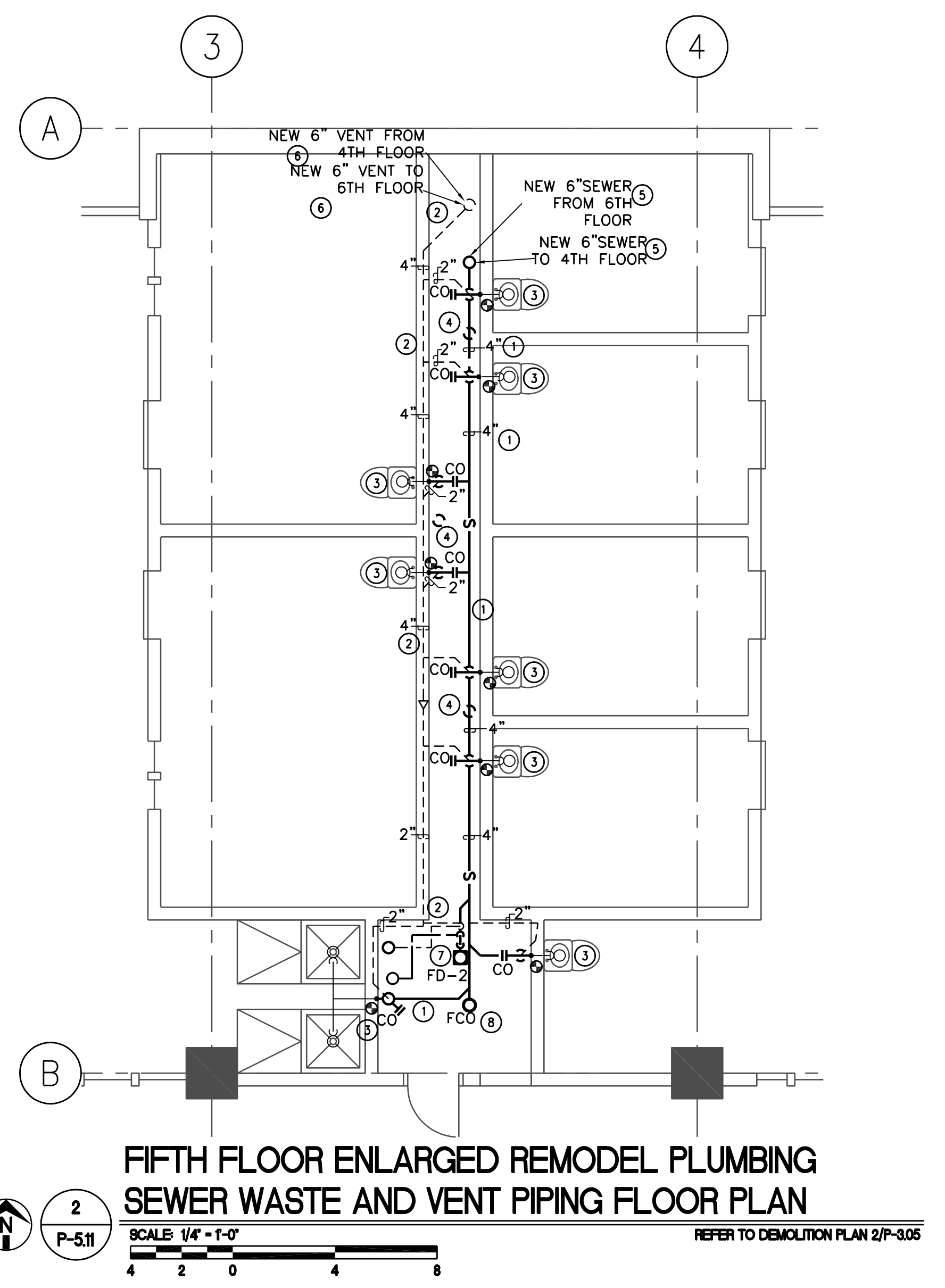


THE SEAL APPEARING ON THIS DOCUMENT WAS AUTHORIZED BY MELVIN G. GLASS, P.E. #64935 OF EMC ENGINEERS (TEXAS FIRM REG. #24911) ON JANUARY 28, 2022. ALTERATION OF A SEALED DOCUMENT WITHOUT PROPER NOTIFICATION TO THE RESPONSIBLE ENGINEER IS AN OFFENSE UNDER THE TEXAS ENGINEERING PRACTICE ACT.

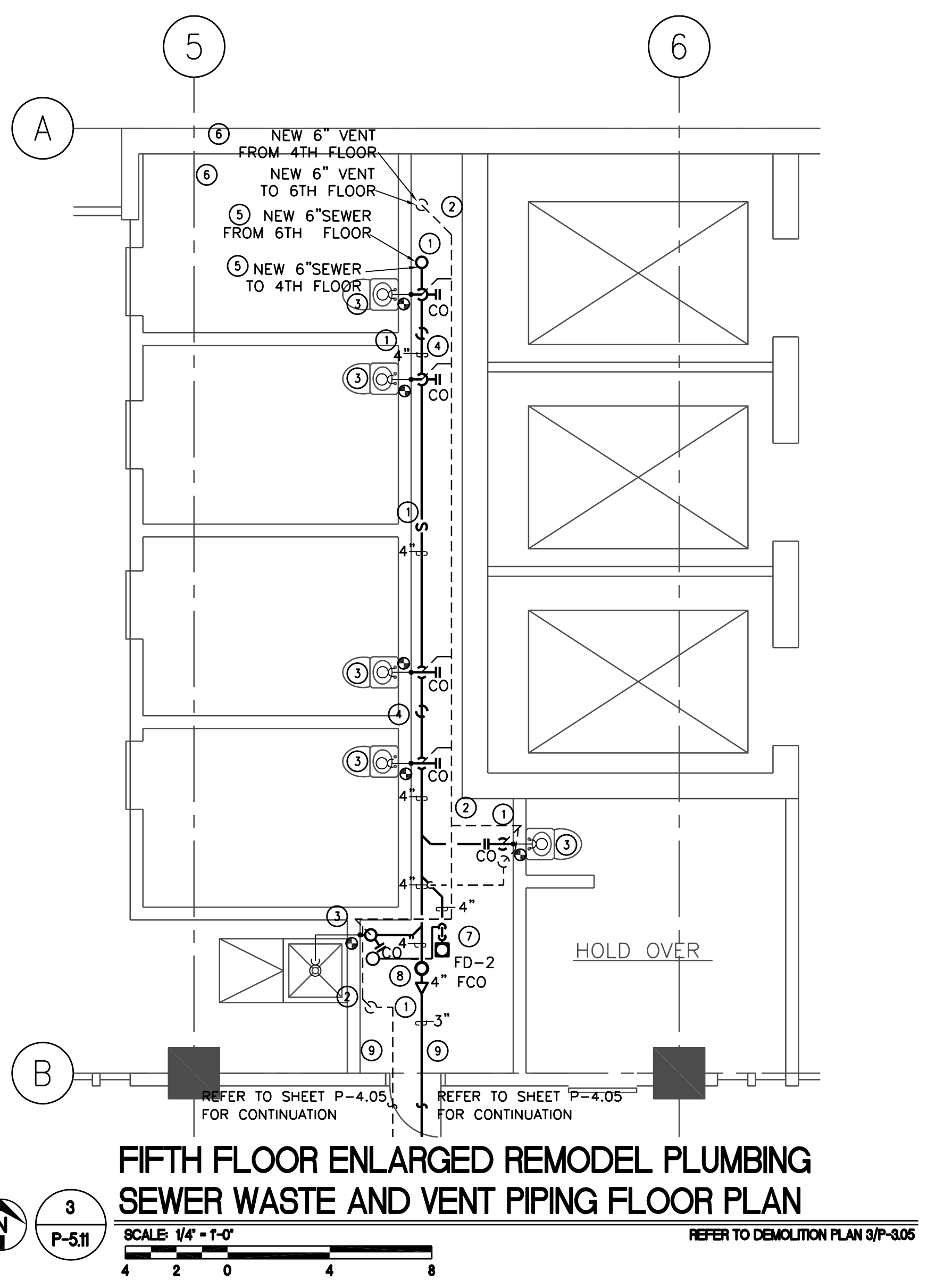
Project:	UPGRADE AND REPLACE THE SANITARY SEWER SYSTEM AT THE EL PASO COUNTY DETENTION FACILITY
Location:	601 E OVERLAND STREET EL PASO, TEXAS
Job Number:	ETC-2108022
Date:	11/23/2021
Scale:	AS SHOWN
Sheet:	P-5.11
66 of:	X



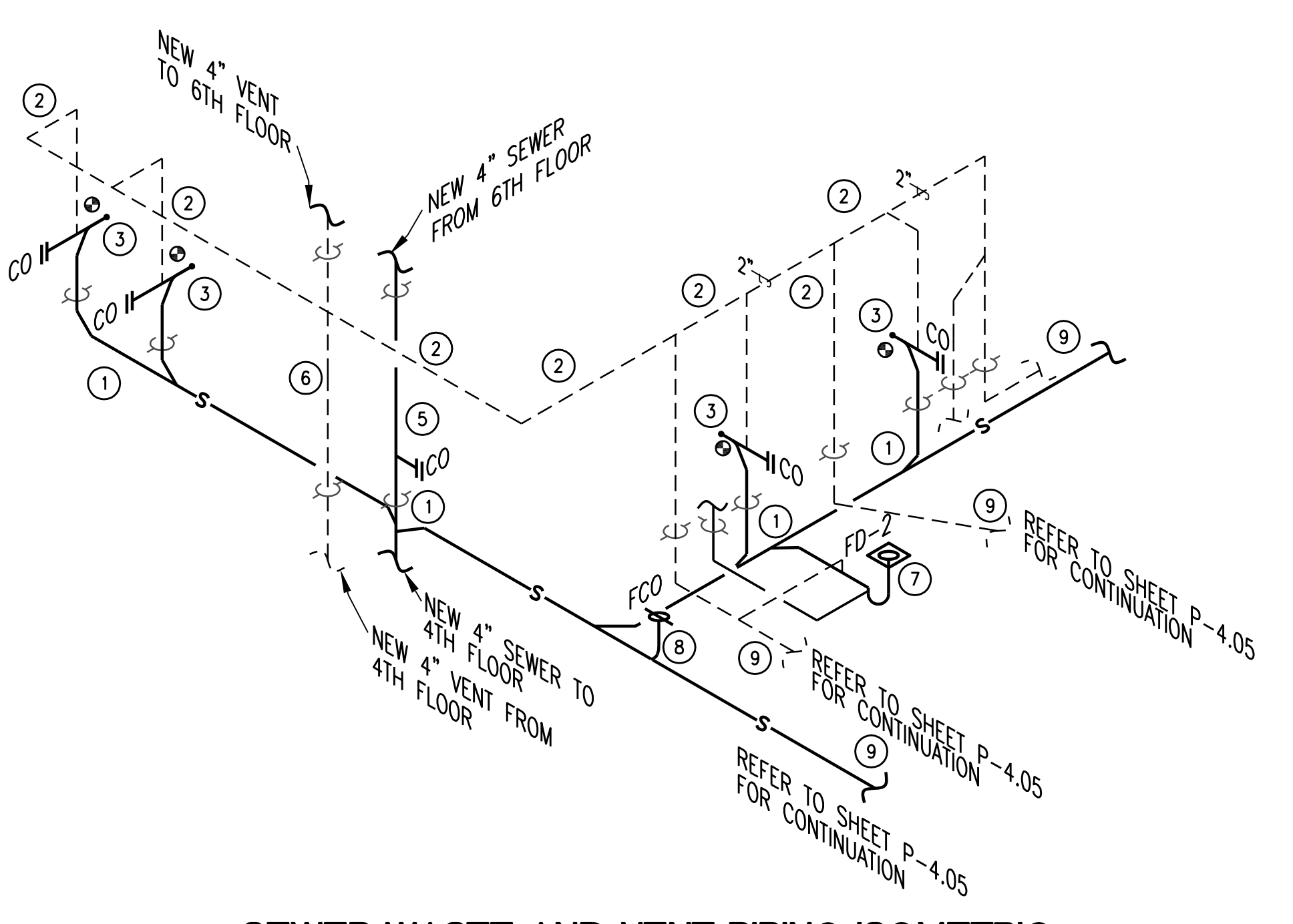
1
FIFTH FLOOR ENLARGED REMODEL PLUMBING SEWER WASTE AND VENT PIPING FLOOR PLAN
SCALE: 1/4" = 1'-0"
REFER TO DEMOLITION PLAN 1P-305



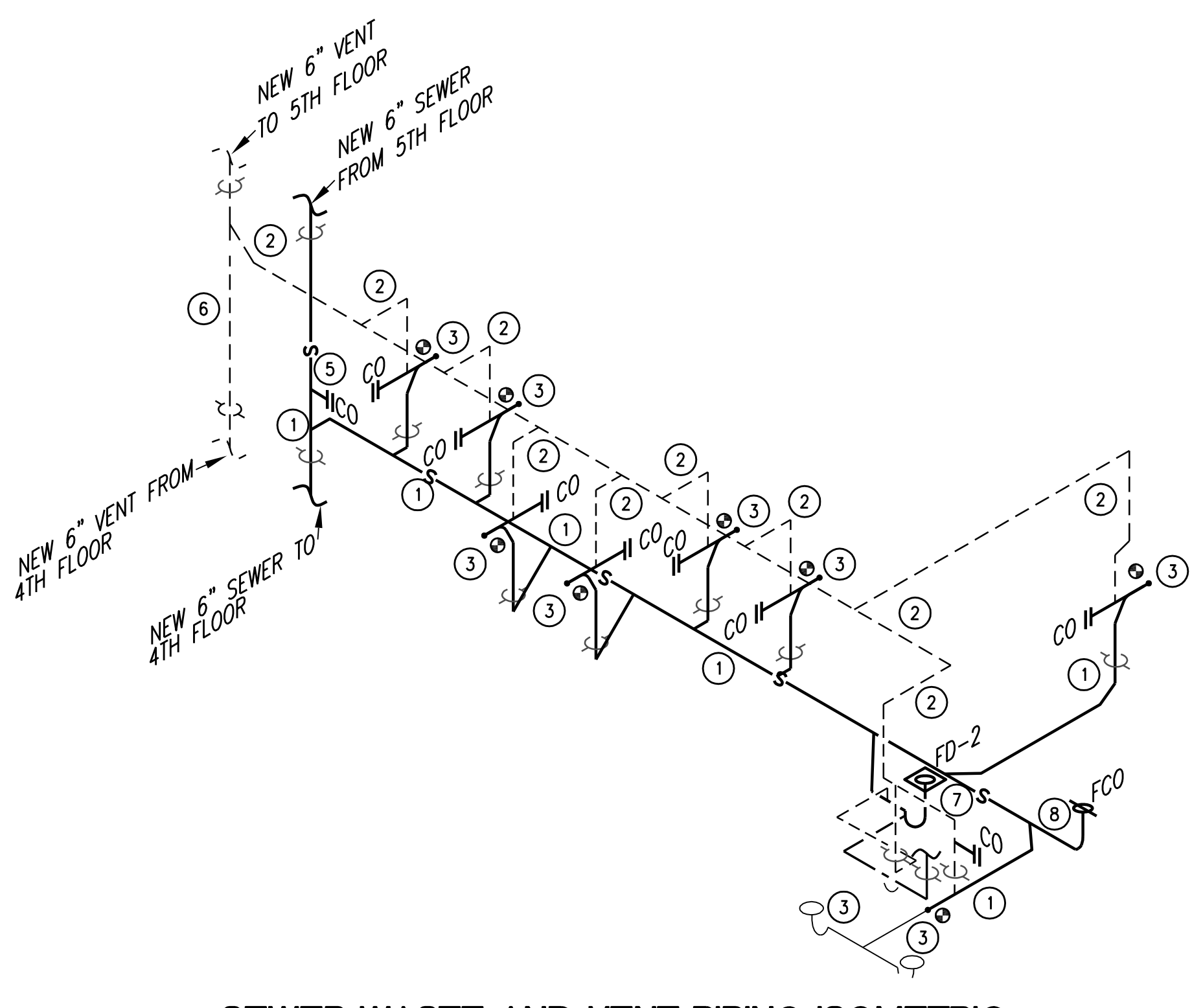
2
FIFTH FLOOR ENLARGED REMODEL PLUMBING SEWER WASTE AND VENT PIPING FLOOR PLAN
SCALE: 1/4" = 1'-0"
REFER TO DEMOLITION PLAN 2P-305



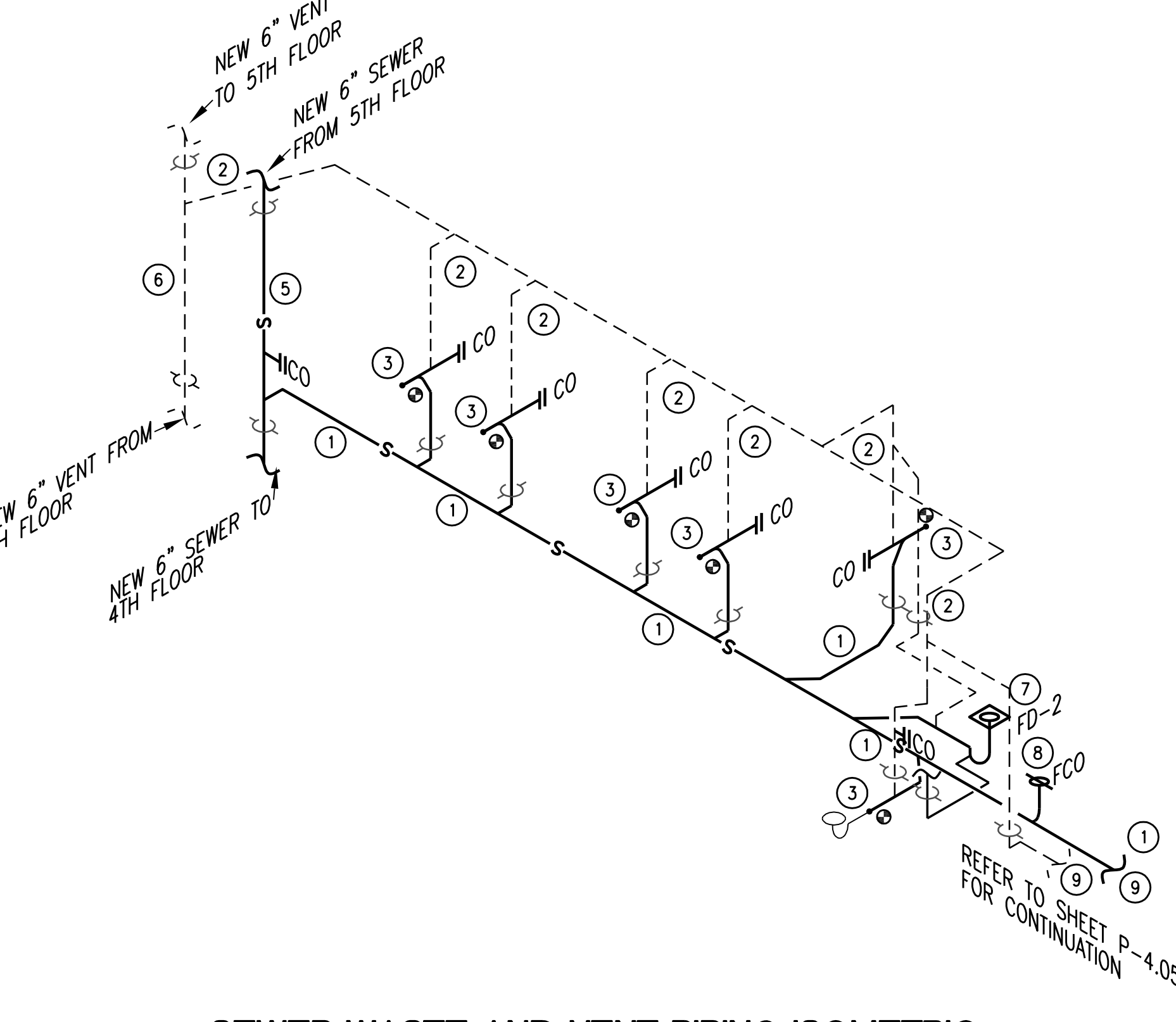
3
FIFTH FLOOR ENLARGED REMODEL PLUMBING SEWER WASTE AND VENT PIPING FLOOR PLAN
SCALE: 1/4" = 1'-0"
REFER TO DEMOLITION PLAN 3P-305



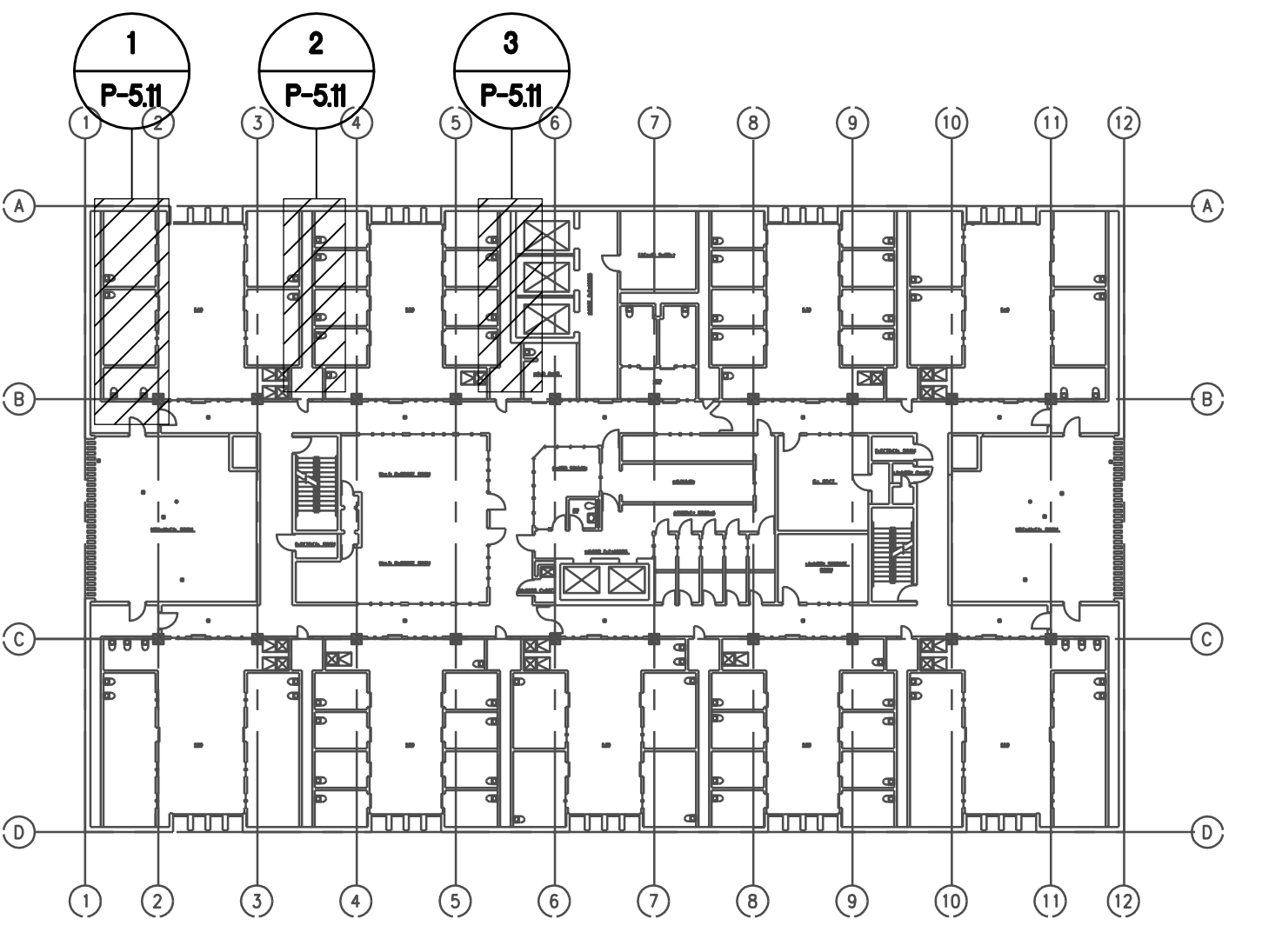
4
SEWER WASTE AND VENT PIPING ISOMETRIC
SCALE: NONE
REFER TO 1P-511 FOR FLOOR PLAN



5
SEWER WASTE AND VENT PIPING ISOMETRIC
SCALE: NONE
REFER TO 2P-511 FOR FLOOR PLAN



6
SEWER WASTE AND VENT PIPING ISOMETRIC
SCALE: NONE
REFER TO 3P-511 FOR FLOOR PLAN



FIFTH FLOOR KEY PLAN
SCALE: NONE

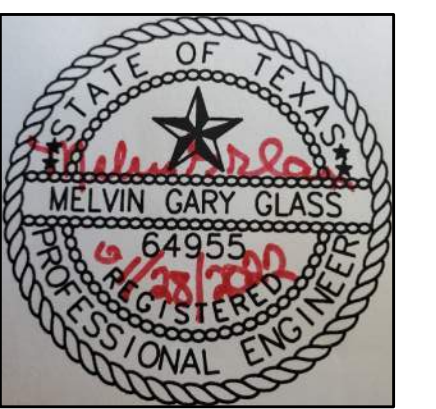
REMODEL PLUMBING GENERAL NOTES:

- 1 THE INTENT IS TO REMODEL REPLACEMENT OF THE SEWER AND VENTING SYSTEMS FOR THE FACILITY. THIS FACILITY IS A 24/7 SECURED OPERATION FACILITY. SO THE CONTRACTOR SHALL COORDINATE ALL DEMOLITION AND REMODEL WORK WITH THE DETENTION PERSONNEL.
- 2 SOME PLUMBING CHASES CONTAIN MECHANICAL DUCTWORK. THE CONTRACTOR SHALL COORDINATE THE INSTALLATION OF NEW SEWER AND VENT PIPING WITH THIS DUCTWORK.

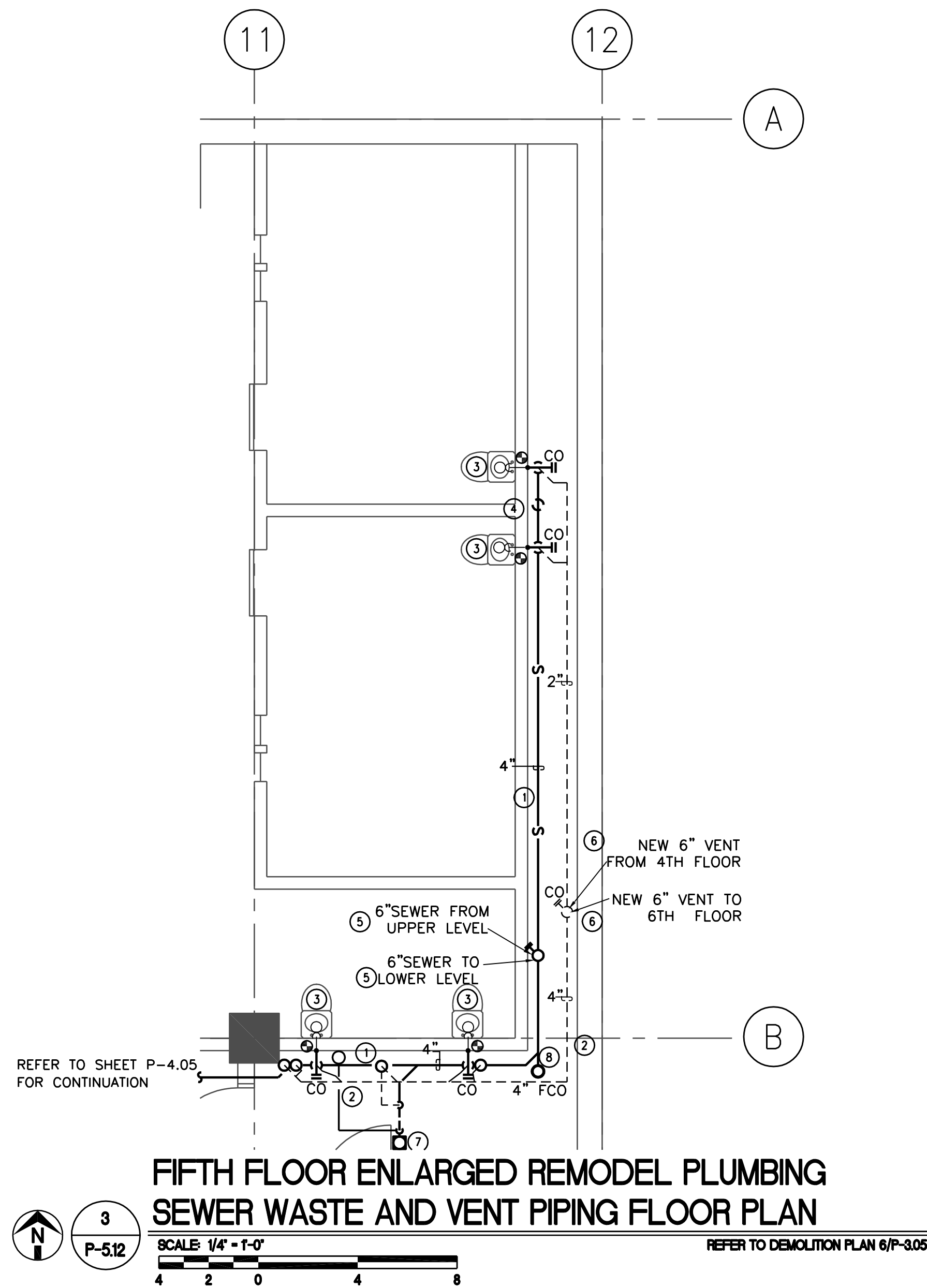
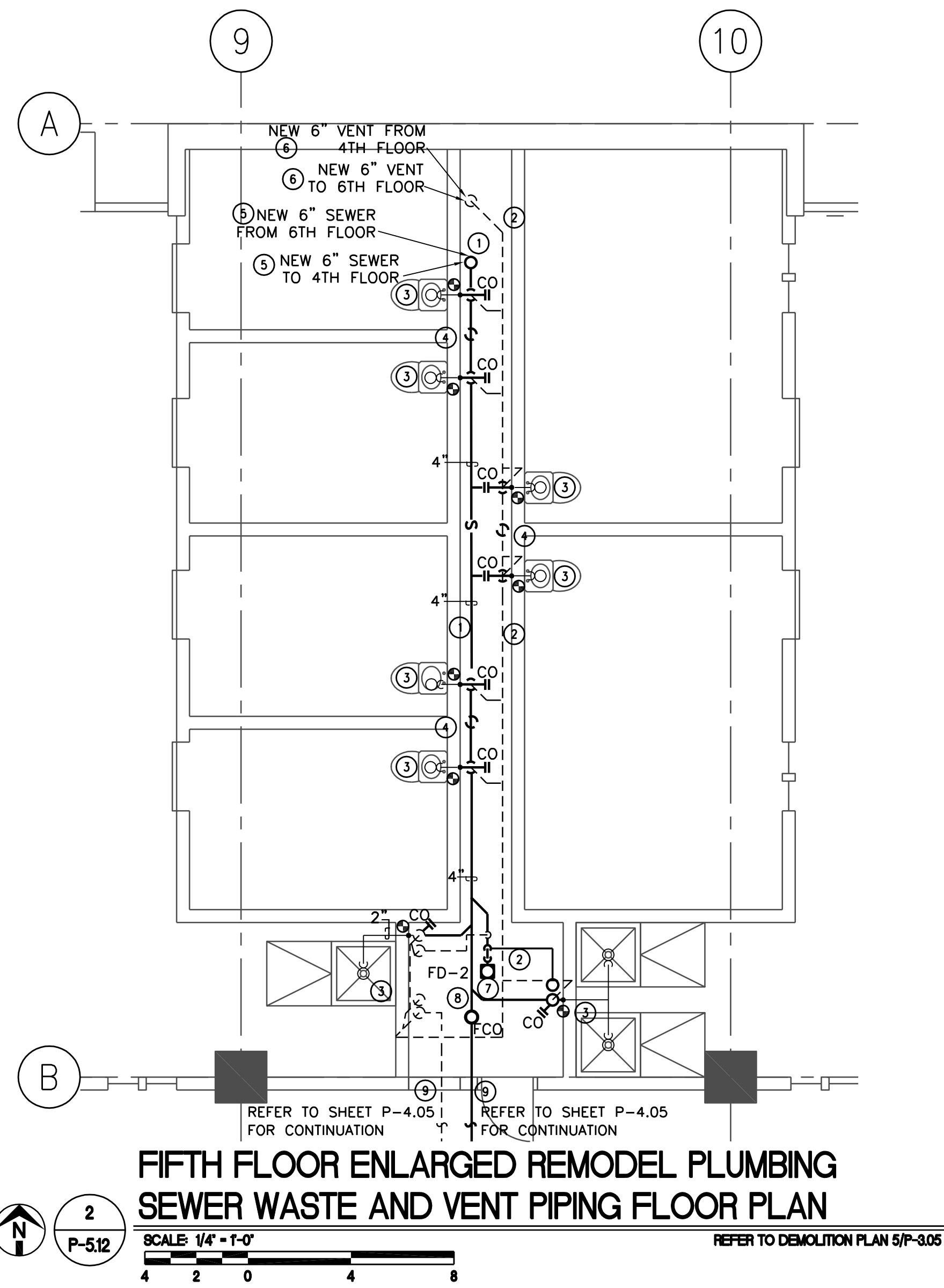
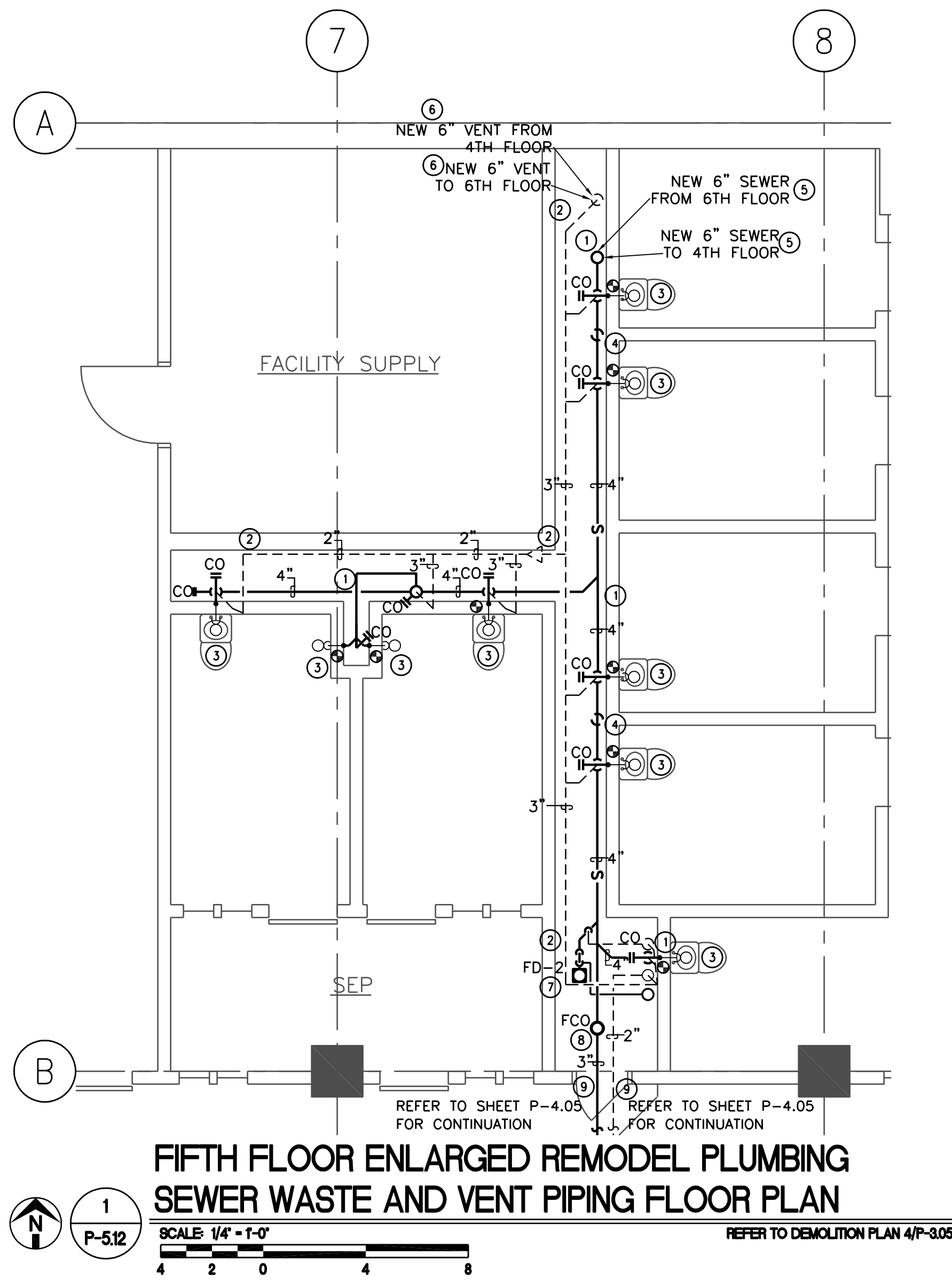
REMODEL PLUMBING KEYED NOTES:

- 1 REPLACE EXISTING SEWER WITH NEW SEWER PIPING AT SIZE AS INDICATED. INSTALL AND SUPPORT PIPING PER SCHEMATICS 8/P1.01, 9/P-1.01 AND 12/P-1.01.
- 2 REPLACE EXISTING VENT WITH NEW VENT PIPING AT SIZE AS INDICATED. INSTALL AND SUPPORT PIPING PER SCHEMATICS 8/P1.01, 9/P-1.01 AND 12/P-1.01.
- 3 EXISTING SEWER AND VENT PIPING FROM STAND ALONE WC, FLOOR DRAINS, AND SHOWER ASSEMBLIES FIXTURE IS TO REMAIN AND BE RECONNECTED TO THE NEW SEWER MAIN AT WALL/FLOOR PENETRATION AS INDICATED.
- 4 EXISTING FLOOR PENETRATION TO BE FILLED IN WITH CONCRETE TO SEAL THE OPENING.
- 5 NEW MAIN SEWER RISER PIPING IS TO REPLACE THE EXISTING RISER IN THE SAME PLACE IN CHASE TO BE INSTALLED IN SAME LOCATION OF EXISTING MAIN SEWER RISER PIPING. REFER TO SCHEMATIC 8/P-1.01 FOR FLOOR PENETRATION.
- 6 NEW MAIN VENT RISER PIPING IS TO REPLACE THE EXISTING RISER IN THE SAME PLACE IN CHASE TO BE INSTALLED IN SAME LOCATION OF EXISTING MAIN VENT RISER PIPING. REFER TO SCHEMATIC 8/P-1.01 FOR FLOOR PENETRATION.
- 7 NEW FLOOR DRAIN (FD-2) TO BE INSTALLED IN PLUMBING CHASE. REFER TO 11/P-1.01 FOR FURTHER INFORMATION.
- 8 NEW FLOOR CLEANOUT (FCO) TO BE INSTALLED PER SCHEMATIC 1/P-1.01.
- 9 PIPING PENETRATION WALL PER SCHEMATIC 7/P1.01.

THIS DOCUMENT, WHETHER IN HARD COPY OR MACHINE READABLE FORMAT, IS COPYRIGHTED AND AN INSTRUMENT OF SERVICES IN RESPECT TO THE PROJECT FOR WHICH IT WAS PREPARED. THIS DOCUMENT IS NOT INTENDED OR AUTHORIZED FOR REUSE BY ANY PARTY ON EXTENSIONS OF SUCH PROJECT OR ANY OTHER PROJECT. ANY REUSE, INCLUDING COPYING AND/OR MODIFYING THE DOCUMENT, WITHOUT WRITTEN PERMISSION FROM EMC ENGINEERS FOR THE SPECIFIC PURPOSE INTENDED IS A VIOLATION OF FEDERAL COPYRIGHT LAW. UNAUTHORIZED USE OF THIS MATERIAL MAY RESULT IN CIVIL AND/OR CRIMINAL PENALTIES.
COPY RIGHT 2013 EMC ENGINEERS.



THE SEAL APPEARING ON THIS DOCUMENT WAS AUTHORIZED BY MELVIN G. GLASS, P.E. #64935 OF EMC ENGINEERS (TEXAS FIRM REG. #24941) ON JANUARY 28, 2022. ALLEGATION OF A SEALED DOCUMENT WITHOUT PROPER NOTIFICATION TO THE RESPONSIBLE ENGINEER IS AN OFFENSE UNDER THE TEXAS ENGINEERING PRACTICE ACT.

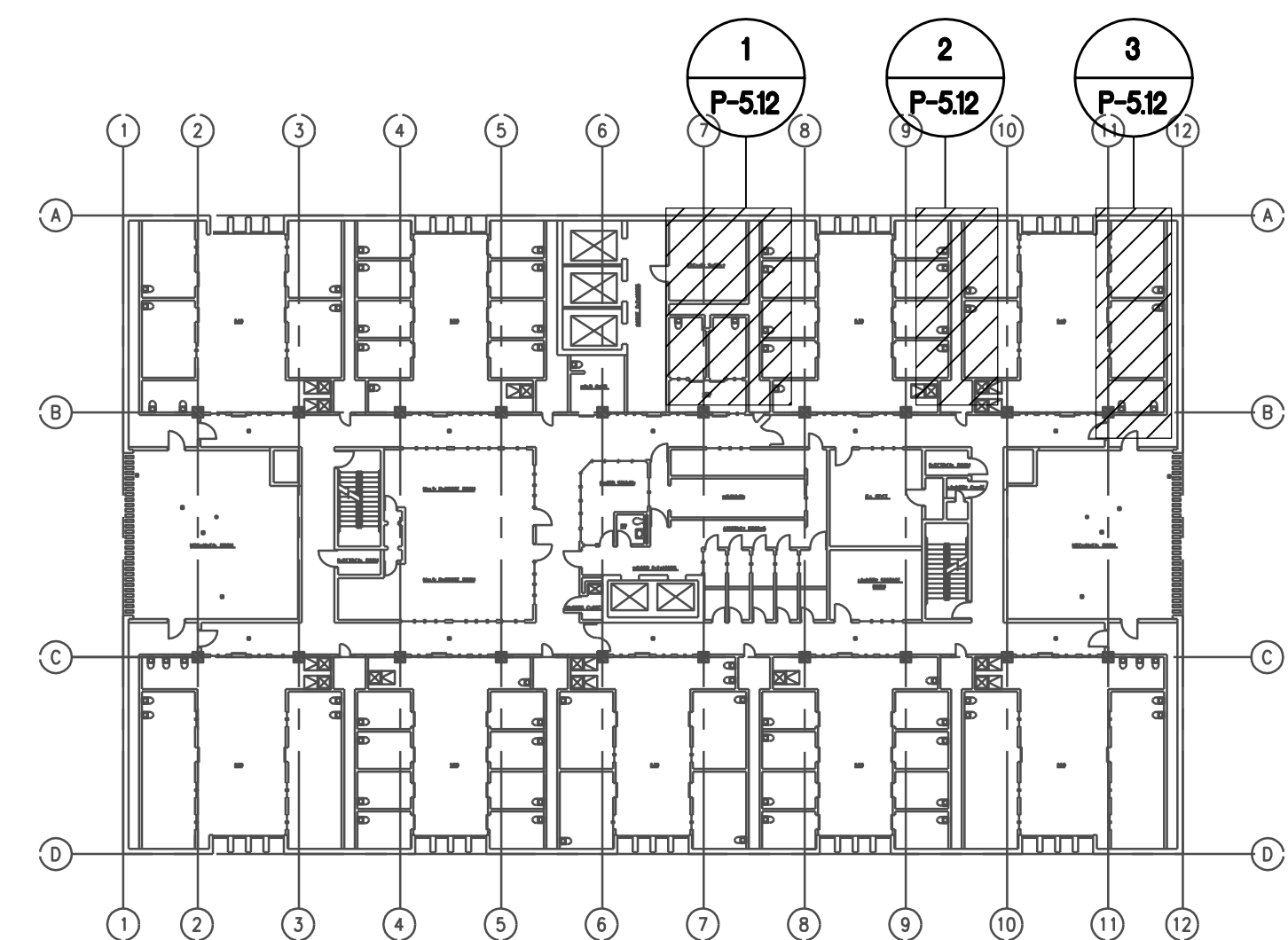
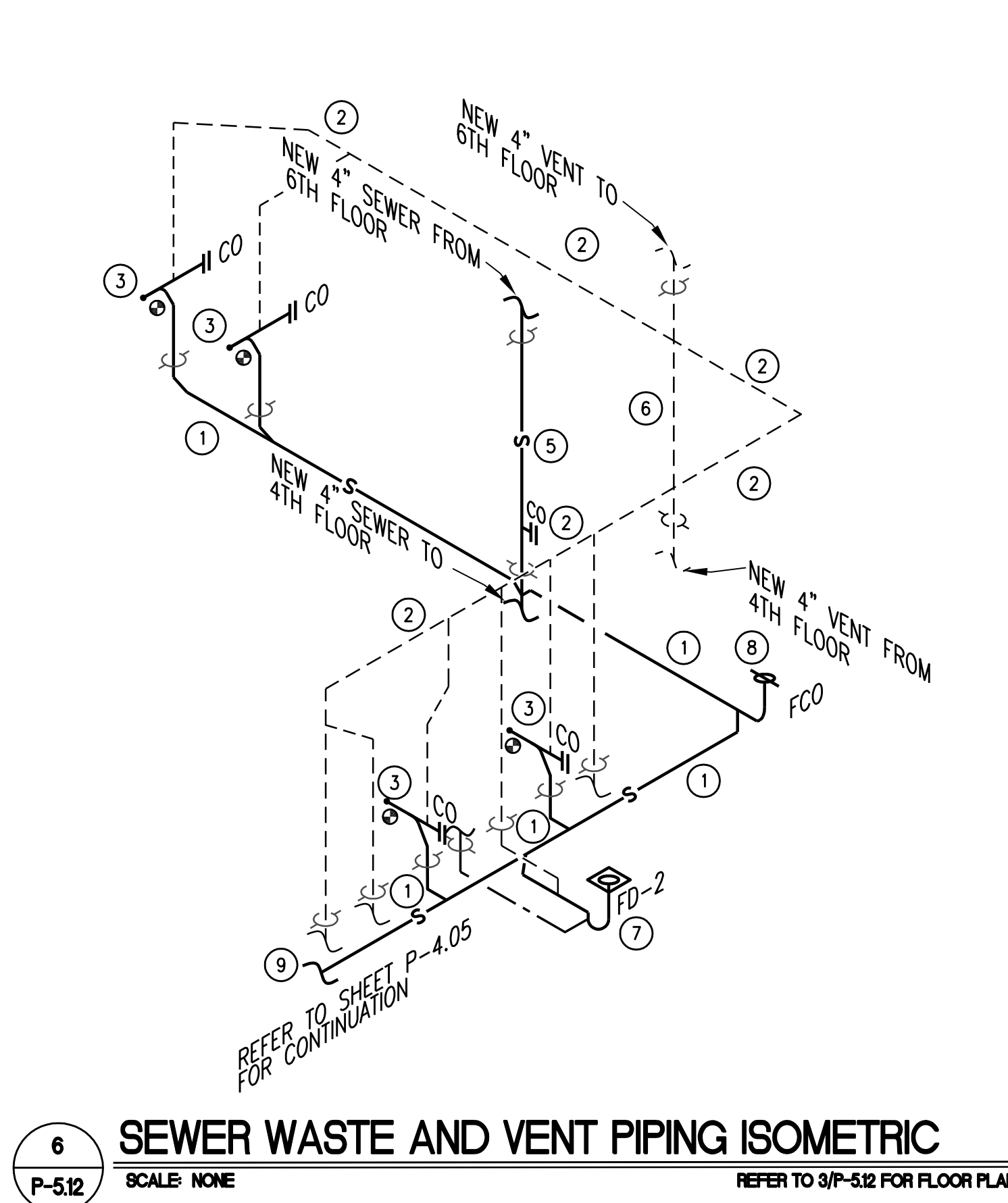
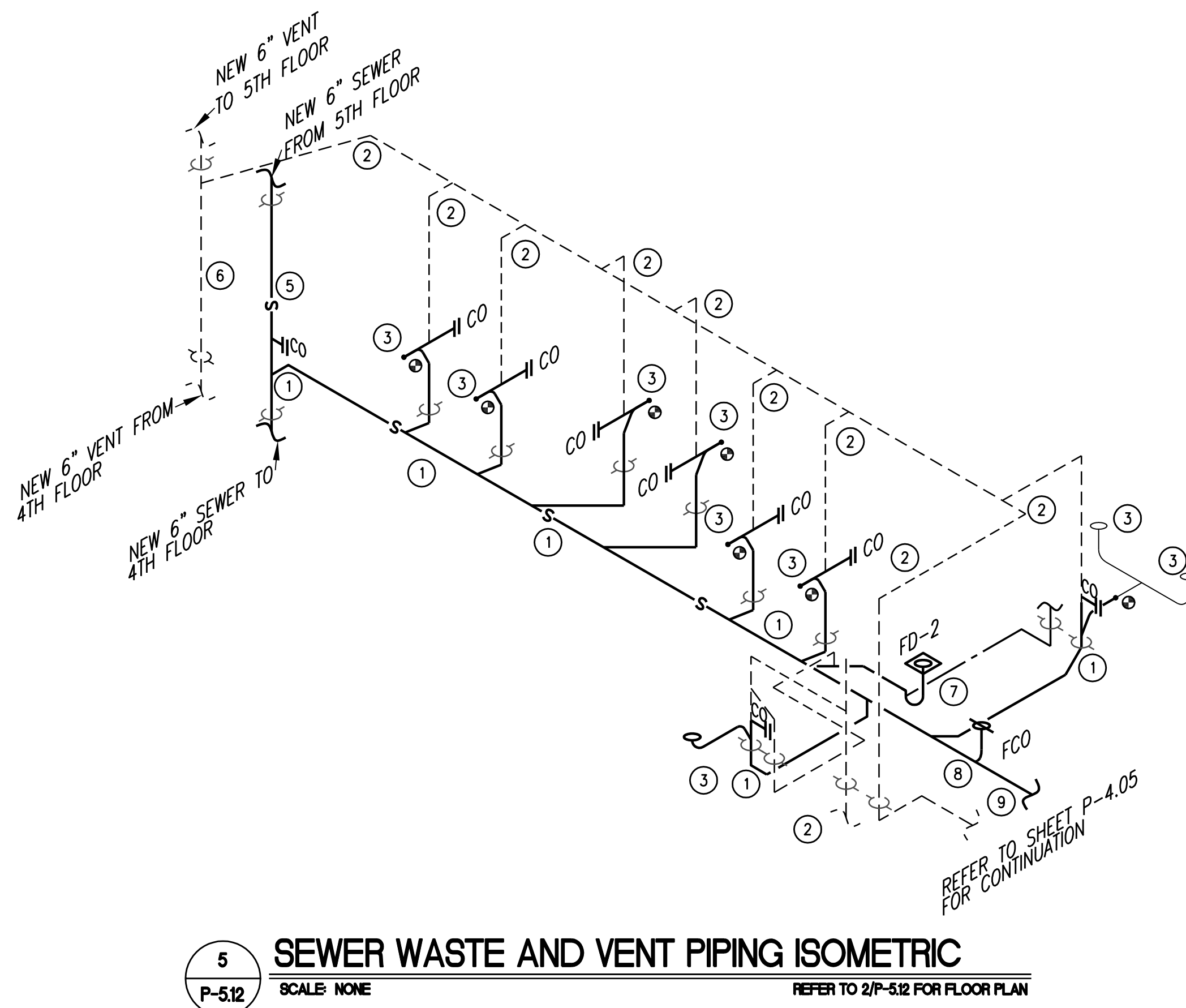
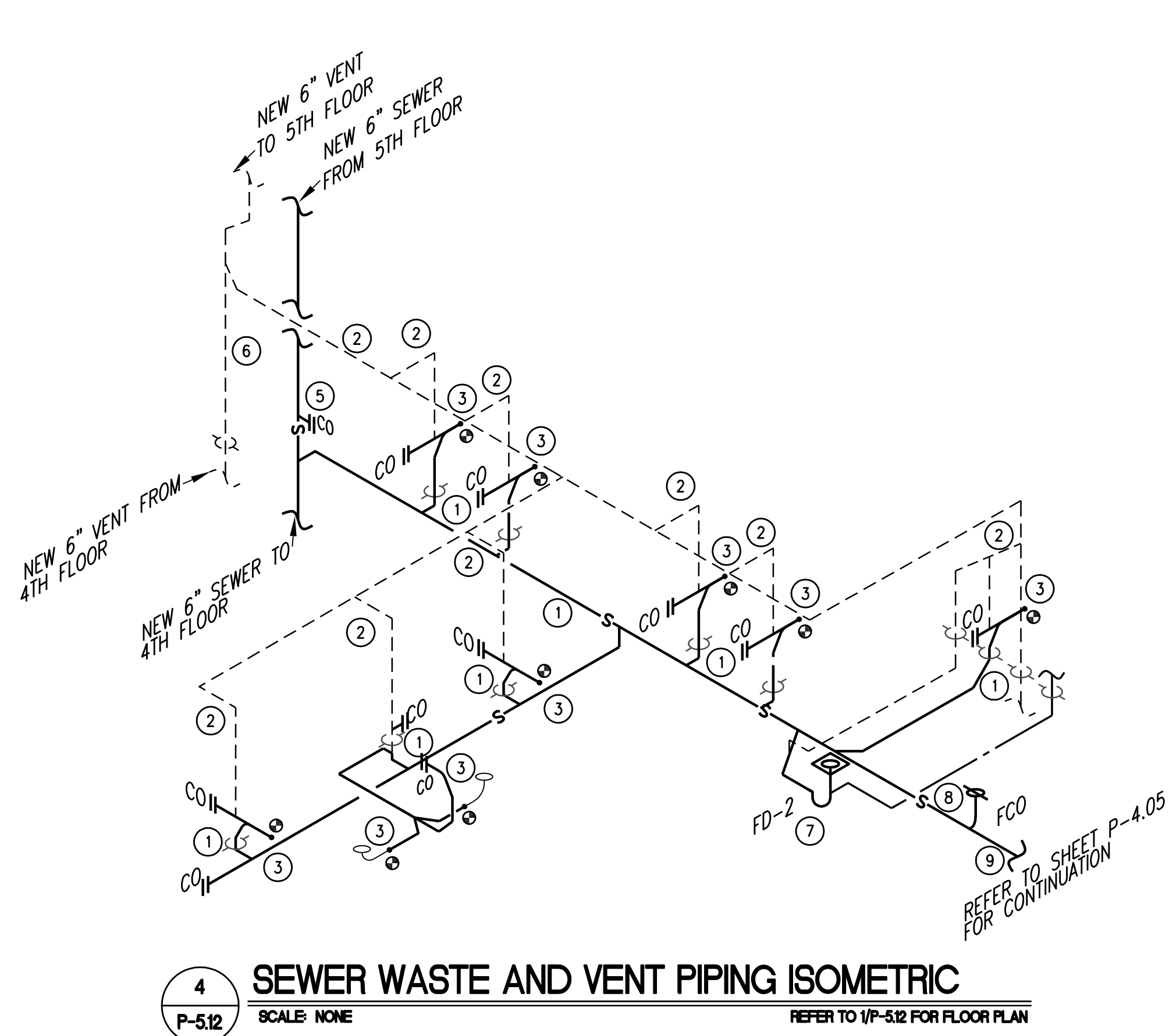


REMODEL PLUMBING GENERAL NOTES:

- 1 THE INTENT IS TO REMODEL REPLACEMENT OF THE SEWER AND VENTING SYSTEMS FOR THE FACILITY. THIS FACILITY IS A 24/7 SECURED OPERATION FACILITY. SO THE CONTRACTOR SHALL COORDINATE ALL DEMOLITION AND REMODEL WORK WITH THE DETENTION PERSONNEL.
- 2 SOME PLUMBING CHASES CONTAIN MECHANICAL DUCTWORK. THE CONTRACTOR SHALL COORDINATE THE INSTALLATION OF NEW SEWER AND VENT PIPING WITH THIS DUCTWORK.

REMODEL PLUMBING KEYED NOTES:

- 1 REPLACE EXISTING SEWER WITH NEW SEWER PIPING AT SIZE AS INDICATED INSTALL AND SUPPORT PIPING PER SCHEMATICS 8/P1.01, 9/P-1.01 AND 12/P-1.01.
- 2 REPLACE EXISTING VENT WITH NEW VENT PIPING AT SIZE AS INDICATED INSTALL AND SUPPORT PIPING PER SCHEMATICS 8/P1.01, 9/P-1.01 AND 12/P-1.01.
- 3 EXISTING SEWER AND VENT PIPING FROM STAND ALONE WC, FLOOR DRAINS, AND SHOWER ASSEMBLIES FIXTURE IS TO REMAIN AND BE RECONNECTED TO THE NEW SEWER MAIN AT WALL/FLOOR PENETRATION AS INDICATED.
- 4 EXISTING FLOOR PENETRATION TO BE FILLED IN WITH CONCRETE TO SEAL THE OPENING.
- 5 NEW MAIN SEWER RISER PIPING IS TO REPLACE THE EXISTING RISER IN THE SAME PLACE IN CHASE TO BE INSTALLED IN SAME LOCATION OF EXISTING MAIN SEWER RISER PIPING, REFER TO SCHEMATIC 8/P-1.01 FOR FLOOR PENETRATION.
- 6 NEW MAIN VENT RISER PIPING IS TO REPLACE THE EXISTING RISER IN THE SAME PLACE IN CHASE TO BE INSTALLED IN SAME LOCATION OF EXISTING MAIN VENT RISER PIPING, REFER TO SCHEMATIC 8/P-1.01 FOR FLOOR PENETRATION.
- 7 NEW FLOOR DRAIN (FD-2) TO BE INSTALLED IN PLUMBING CHASE, REFER TO 11/P-1.01 FOR FURTHER INFORMATION.
- 8 NEW FLOOR CLEANOUT (FCO) TO BE INSTALLED PER SCHEMATIC 1/P-1.01.
- 9 PIPING PENETRATION WALL PER SCHEMATIC 7/P1.01.



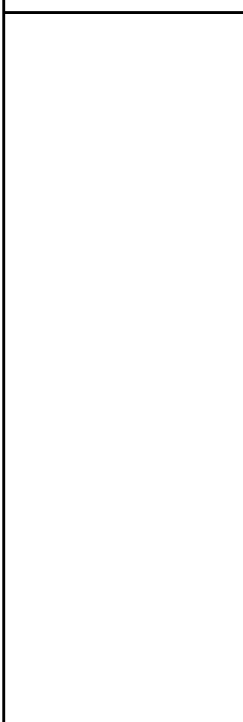
FIFTH FLOOR KEY PLAN
SCALE: NONE

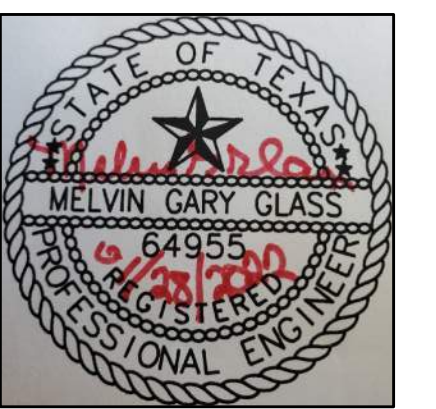
THIS DOCUMENT, WHETHER IN HARD COPY OR MACHINE READABLE FORMAT, IS COPYRIGHTED AND AN INSTRUMENT OF SERVICES IN RESPECT TO THE PROJECT FOR WHICH IT WAS PREPARED. THIS DOCUMENT IS NOT INTENDED OR AUTHORIZED FOR REUSE BY ANY PARTY ON EXTENSIONS OF SUCH PROJECT OR ANY OTHER PROJECT. ANY REUSE, INCLUDING COPYING AND/OR MODIFYING THE DOCUMENT, WITHOUT WRITTEN PERMISSION FROM EMC ENGINEERS FOR THE SPECIFIC PURPOSE INTENDED IS A VIOLATION OF FEDERAL COPYRIGHT LAW. UNAUTHORIZED USE OF THIS MATERIAL MAY RESULT IN CIVIL AND/OR CRIMINAL PENALTIES.
COPY RIGHT 2013 EMC ENGINEERS.

Project:	UPGRADE AND REPLACE THE SANITARY SEWER SYSTEM AT THE EL PASO COUNTY DETENTION FACILITY
Location:	601 E OVERLAND STREET EL PASO, TEXAS
Job Number:	ETC-2108022
Date:	11/23/2021
Scale:	AS SHOWN
Sheet:	P-5.12
67 of: X	

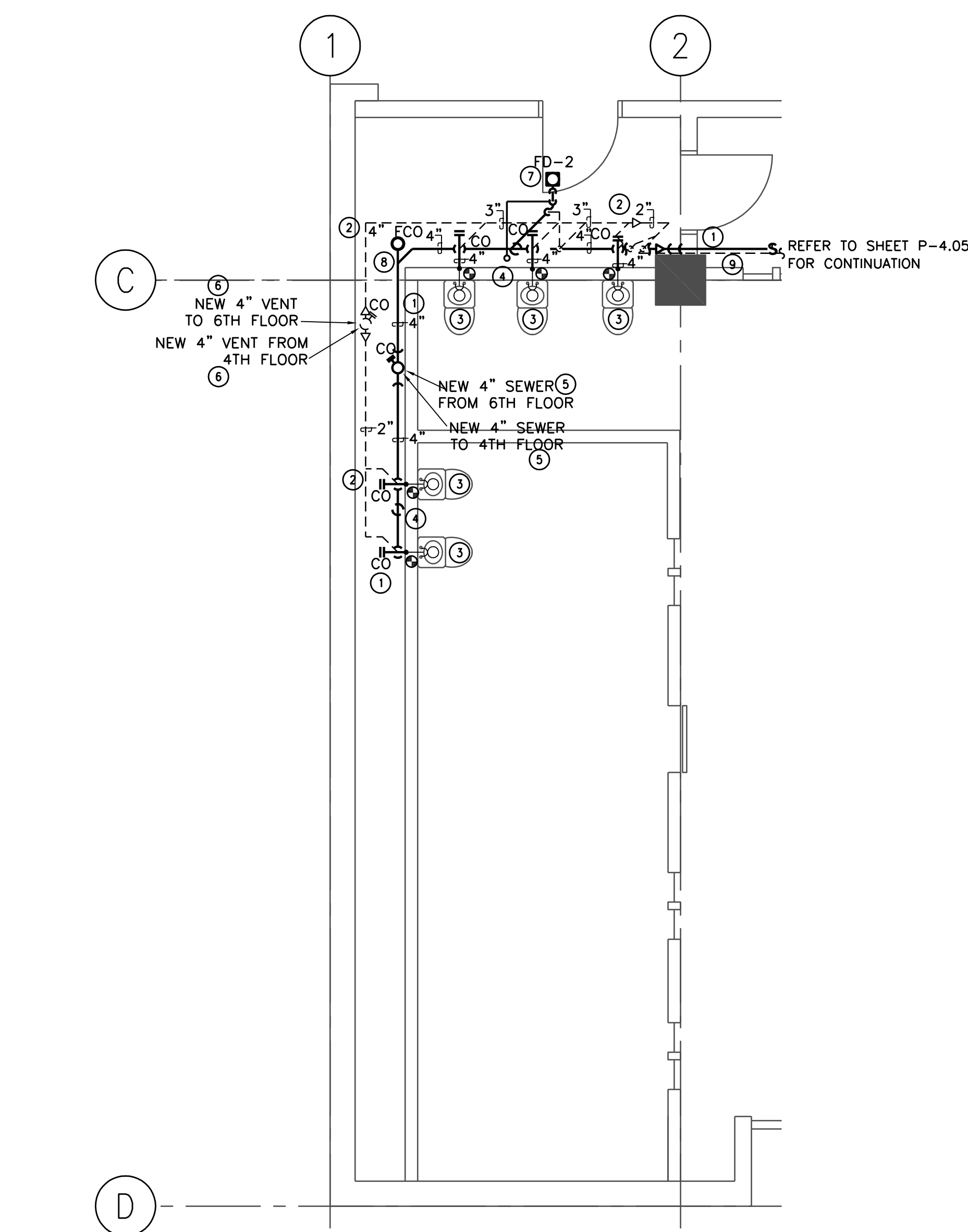
Rev.#	Date	Initial	Description
1			ETC
2			ETC
3			ETC

EMC ENGINEERS
2311 E. MIDLAND AVENUE SUITE 100
EL PASO, TEXAS 79906
TEL: 915-781-2000
FAX: 915-781-2005
WWW.EMCENGINEERS.COM
EMC PROJECT #2108022

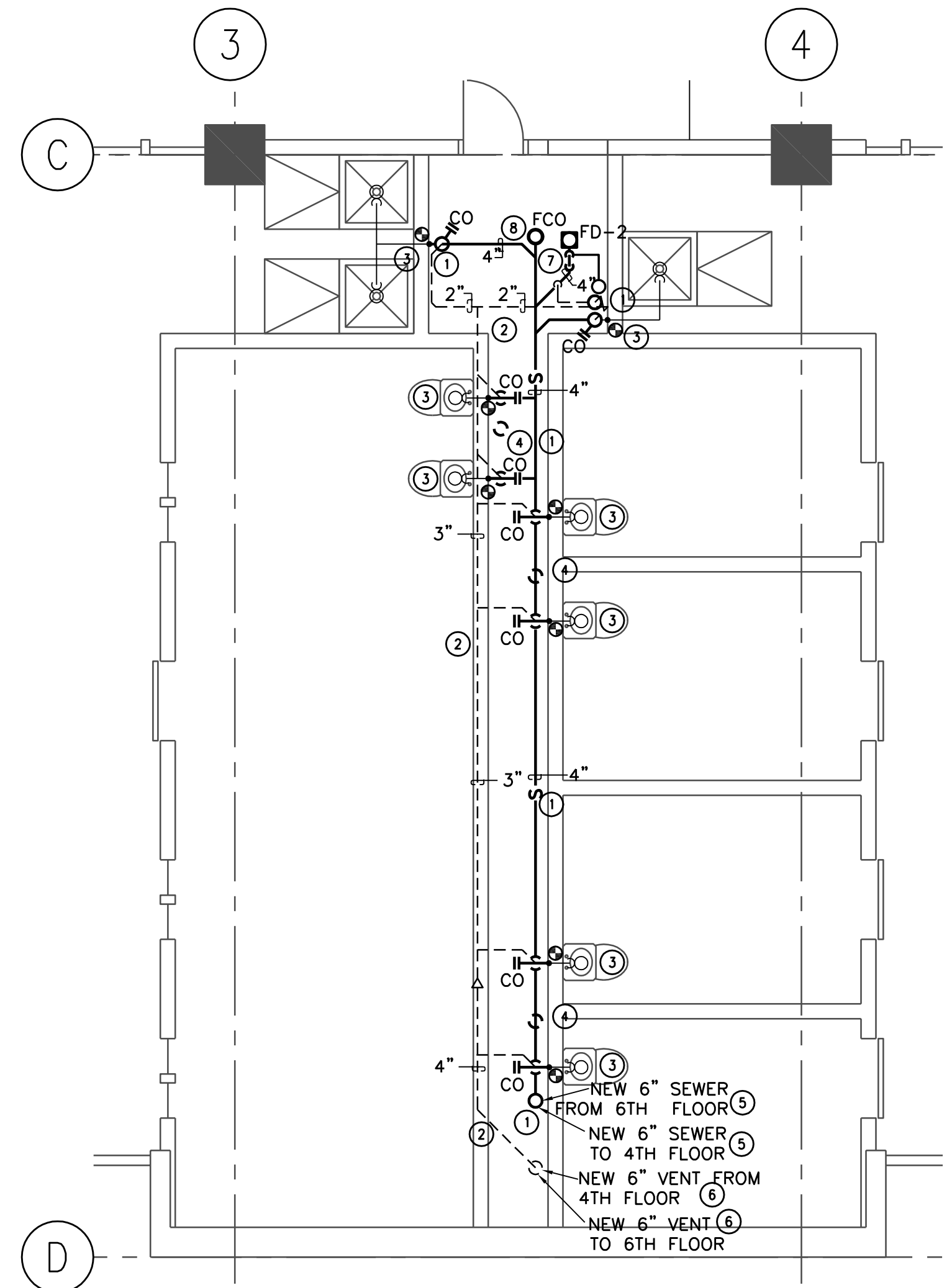




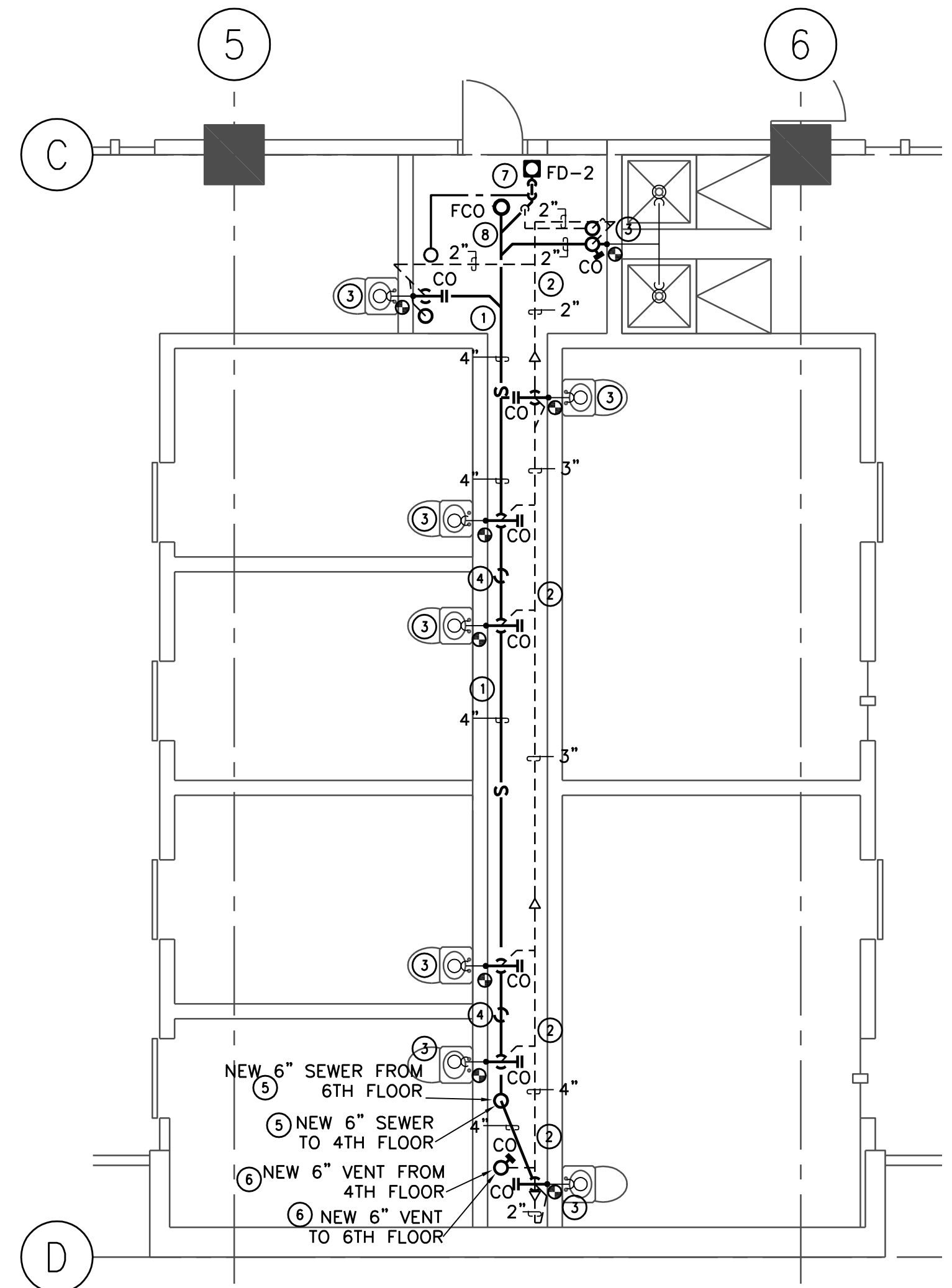
THE SEAL APPEARING ON THIS DOCUMENT WAS AUTHORIZED BY MELVIN G. GLASS, P.E. #64935 OF EMC ENGINEERS (TEXAS FIRM REG. #24941) ON JANUARY 28, 2022. ANY ALTERATION OF A SEALED DOCUMENT WITHOUT PROPER NOTIFICATION TO THE RESPONSIBLE ENGINEER IS AN OFFENSE UNDER THE TEXAS ENGINEERING PRACTICE ACT.



1
FIFTH FLOOR ENLARGED REMODEL PLUMBING
SEWER WASTE AND VENT PIPING FLOOR PLAN
SCALE: 1/4" = 1'-0"
REFER TO DEMOLITION PLAN 1/P-306



2
FIFTH FLOOR ENLARGED REMODEL PLUMBING
SEWER WASTE AND VENT PIPING FLOOR PLAN
SCALE: 1/4" = 1'-0"
REFER TO DEMOLITION PLAN 2/P-306



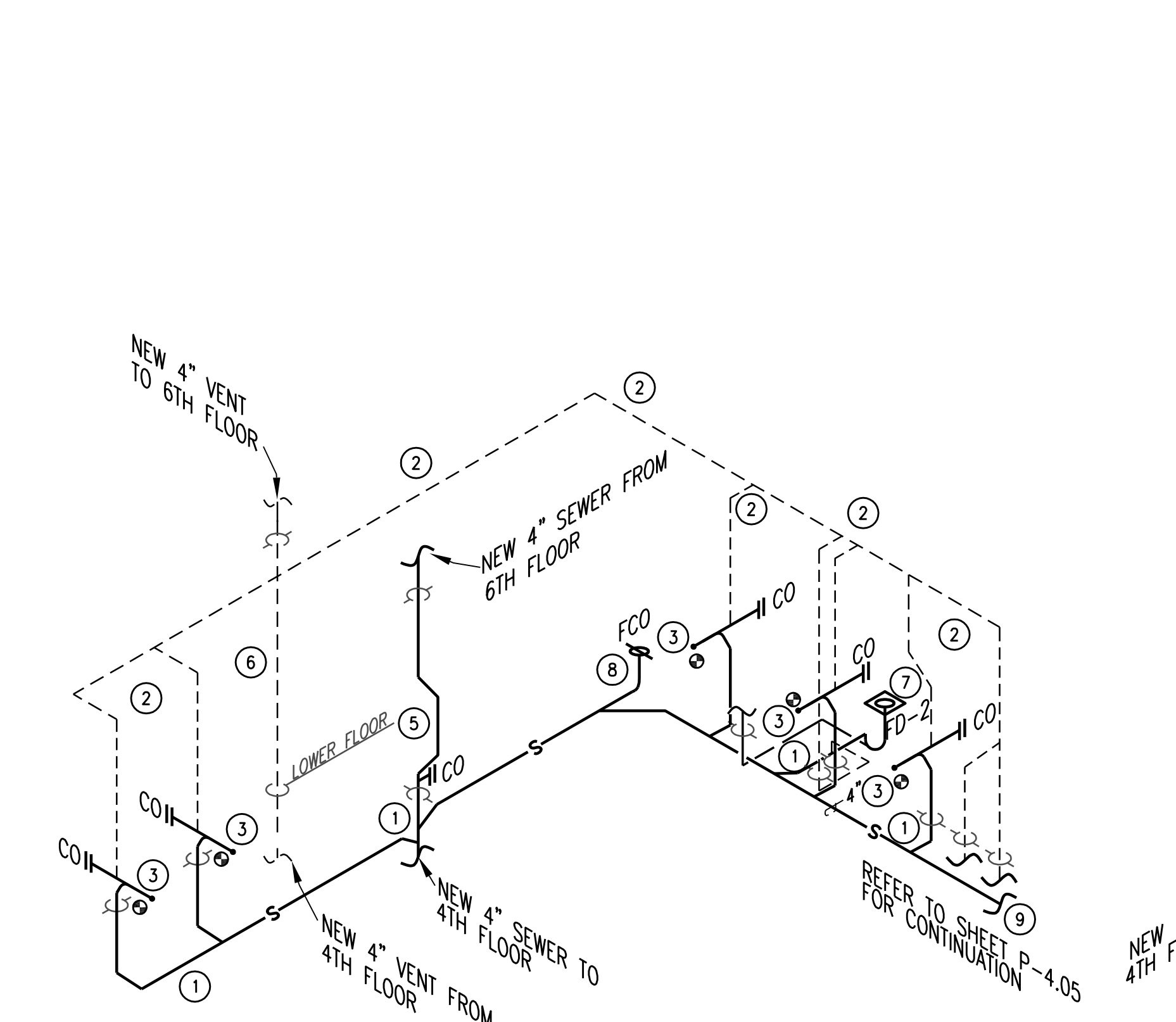
3
FIFTH FLOOR ENLARGED REMODEL PLUMBING
SEWER WASTE AND VENT PIPING FLOOR PLAN
SCALE: 1/4" = 1'-0"
REFER TO DEMOLITION PLAN 3/P-306

REMODEL PLUMBING GENERAL NOTES:

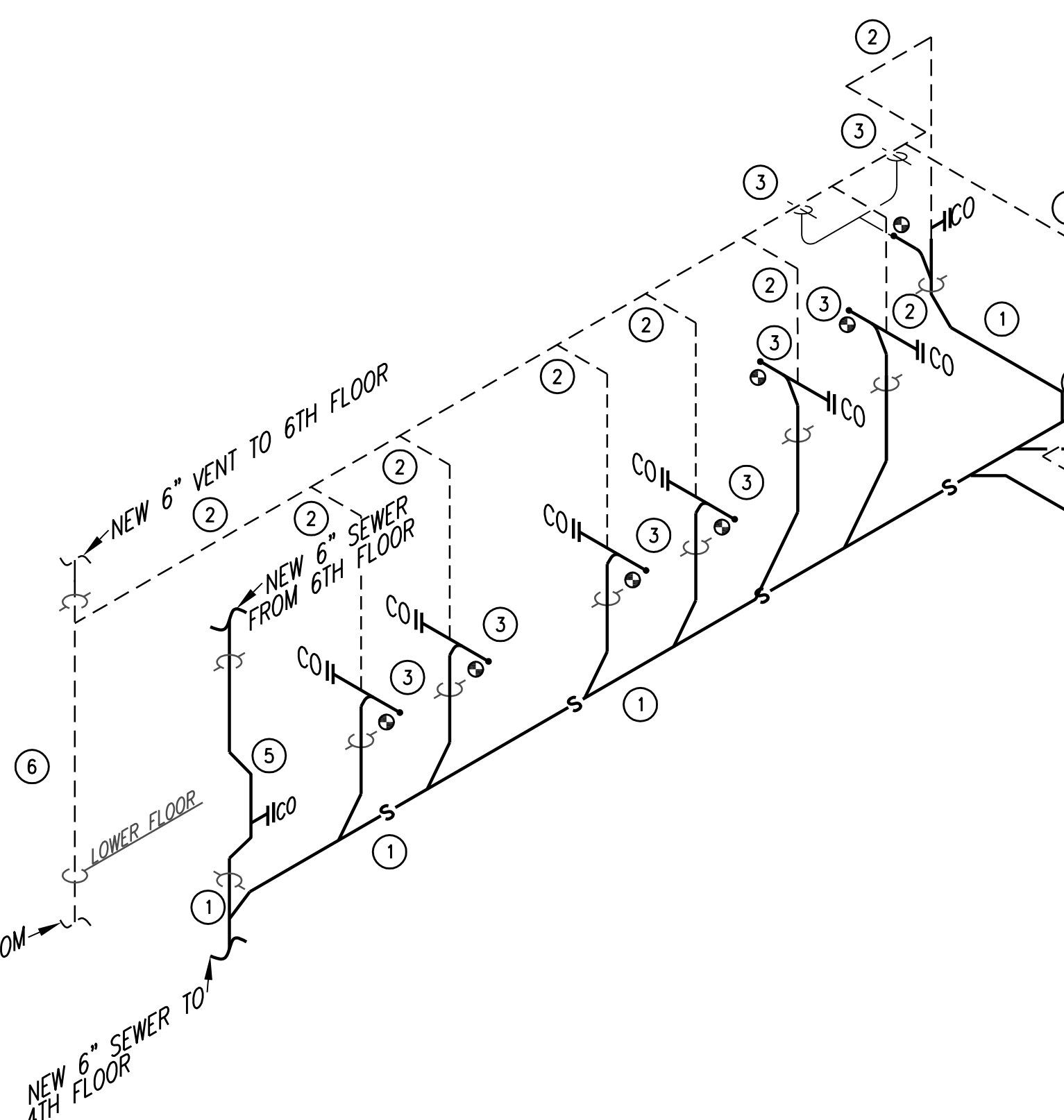
- 1 THE INTENT IS TO REMODEL REPLACEMENT OF THE SEWER AND VENTING SYSTEMS FOR THE FACILITY. THIS FACILITY IS A 24/7 SECURED OPERATION FACILITY. SO THE CONTRACTOR SHALL COORDINATE ALL DEMOLITION AND REMODEL WORK WITH THE DETENTION PERSONNEL.
- 2 SOME PLUMBING CHASES CONTAIN MECHANICAL DUCTWORK. THE CONTRACTOR SHALL COORDINATE THE INSTALLATION OF NEW SEWER AND VENT PIPING WITH THIS DUCTWORK.

REMODEL PLUMBING KEYED NOTES:

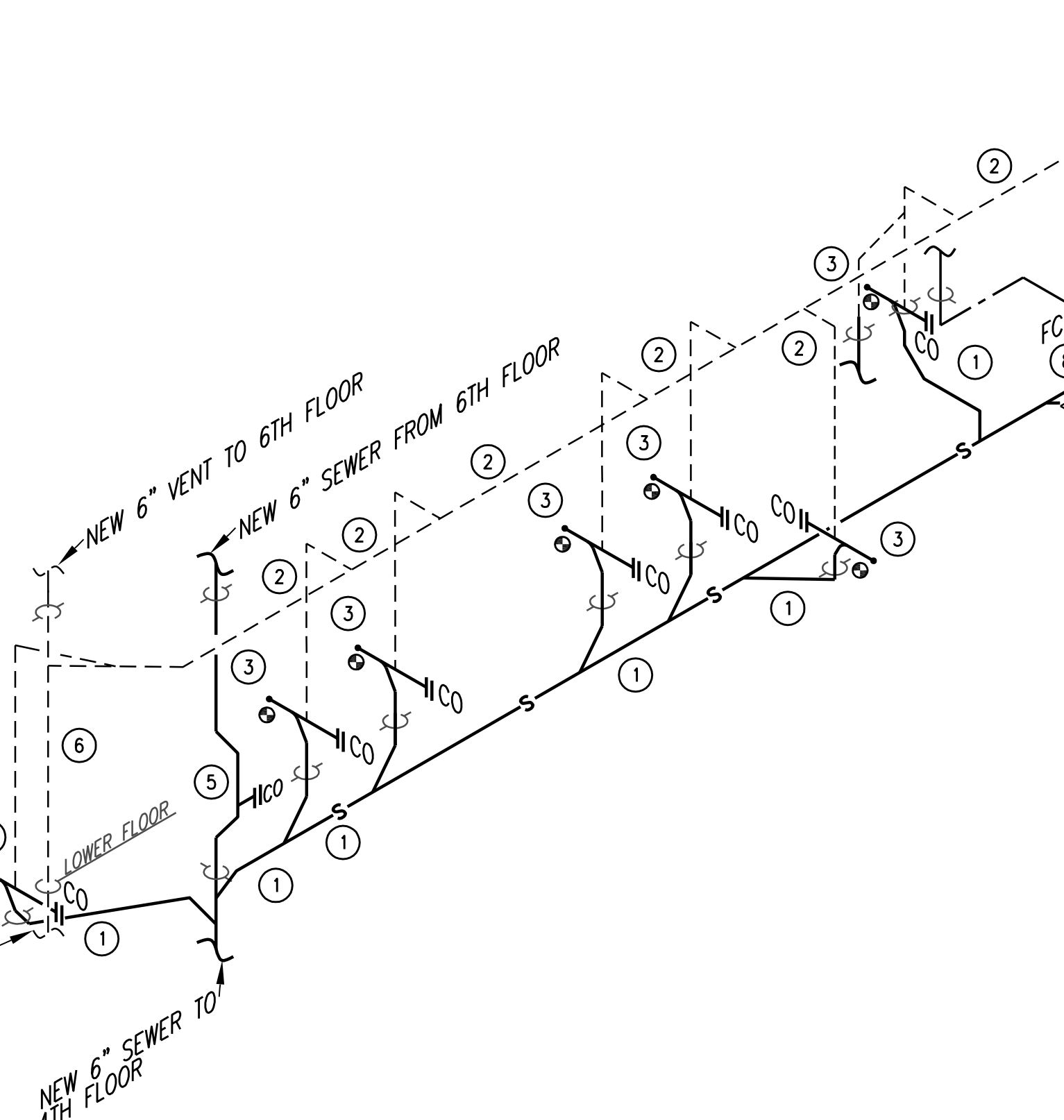
- 1 REPLACE EXISTING SEWER WITH NEW SEWER PIPING AT SIZE AS INDICATED INSTALL AND SUPPORT PIPING PER SCHEMATICS 8/P1.01, 9/P-1.01 AND 12/P-1.01.
- 2 REPLACE EXISTING VENT WITH NEW VENT PIPING AT SIZE AS INDICATED INSTALL AND SUPPORT PIPING PER SCHEMATICS 8/P1.01, 9/P-1.01 AND 12/P-1.01.
- 3 EXISTING SEWER AND VENT PIPING FROM STAND ALONE WC, FLOOR DRAINS, AND SHOWER ASSEMBLIES FIXTURE IS TO REMAIN AND BE RECONNECTED TO THE NEW SEWER MAIN AT WALL/FLOOR PENETRATION AS INDICATED.
- 4 EXISTING FLOOR PENETRATION TO BE FILLED IN WITH CONCRETE TO SEAL THE OPENING.
- 5 NEW MAIN SEWER RISER PIPING IS TO REPLACE THE EXISTING RISER IN THE SAME PLACE IN CHASE TO BE INSTALLED IN SAME LOCATION OF EXISTING MAIN SEWER RISER PIPING, REFER TO SCHEMATIC 8/P-1.01 FOR FLOOR PENETRATION.
- 6 NEW MAIN VENT RISER PIPING IS TO REPLACE THE EXISTING RISER IN THE SAME PLACE IN CHASE TO BE INSTALLED IN SAME LOCATION OF EXISTING MAIN VENT RISER PIPING, REFER TO SCHEMATIC 8/P-1.01 FOR FLOOR PENETRATION.
- 7 NEW FLOOR DRAIN (FD-2) TO BE INSTALLED IN PLUMBING CHASE, REFER TO 11/P-1.01 FOR FURTHER INFORMATION.
- 8 NEW FLOOR CLEANOUT (FCO) TO BE INSTALLED PER SCHEMATIC 1/P-1.01.
- 9 PIPING PENETRATION WALL PER SCHEMATIC 7/P1.01.



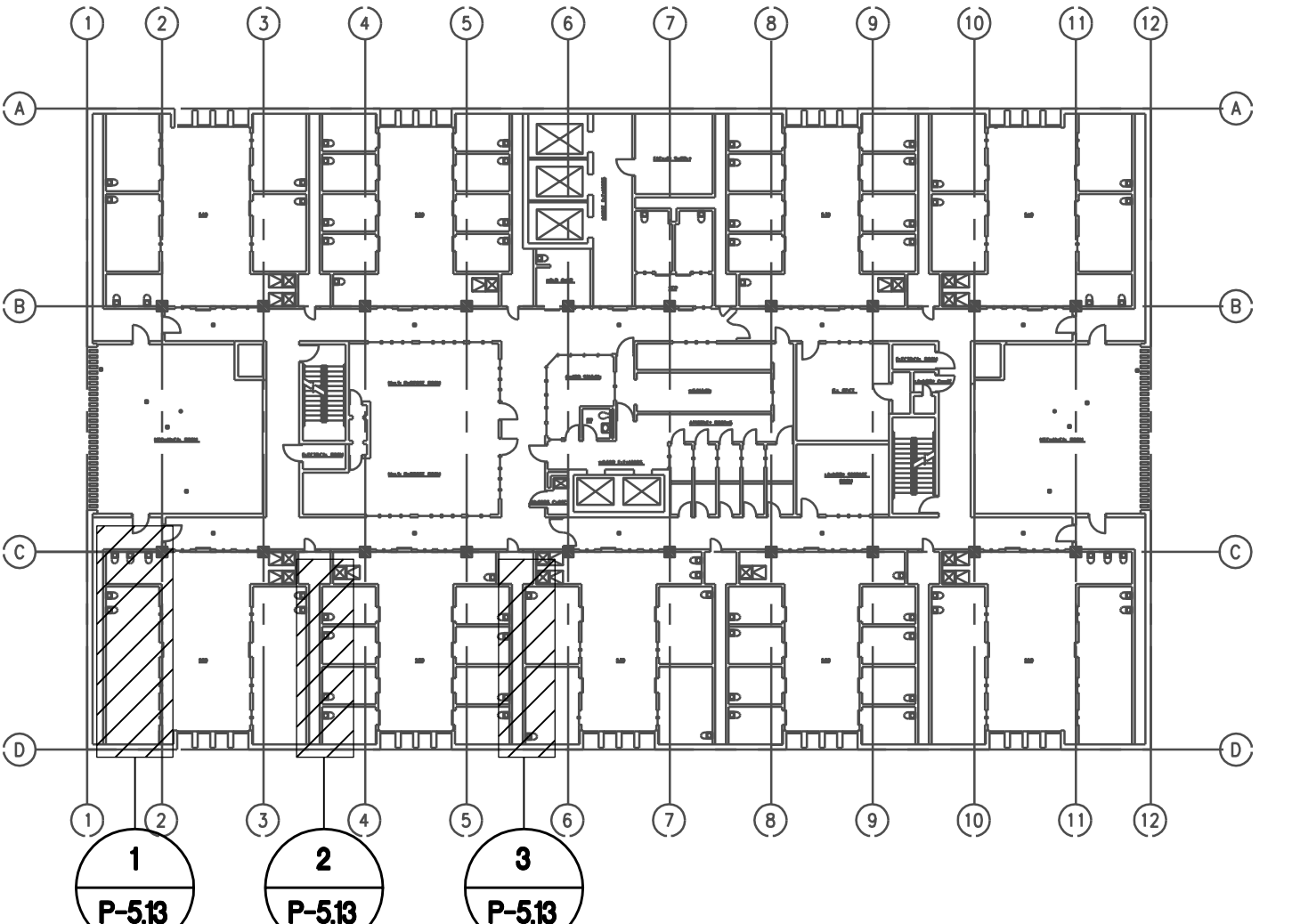
4
SEWER WASTE AND VENT PIPING ISOMETRIC
SCALE: NONE
REFER TO 1/P-53 FOR FLOOR PLAN



5
SEWER WASTE AND VENT PIPING ISOMETRIC
SCALE: NONE
REFER TO 2/P-53 FOR FLOOR PLAN



6
SEWER WASTE AND VENT PIPING ISOMETRIC
SCALE: NONE
REFER TO 3/P-53 FOR FLOOR PLAN



FIFTH FLOOR KEY PLAN
SCALE: NONE

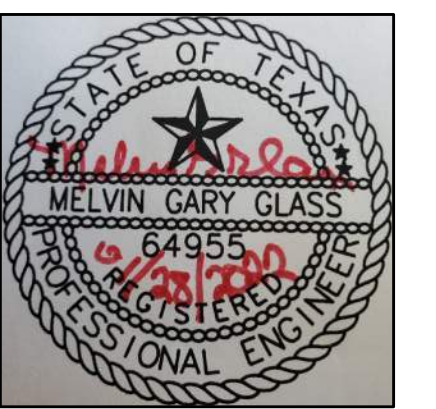
THIS DOCUMENT, WHETHER IN HARD COPY OR MACHINE READABLE FORMAT, IS COPYRIGHTED AND AN INSTRUMENT OF SERVICES IN RESPECT TO THE PROJECT FOR WHICH IT WAS PREPARED. THIS DOCUMENT IS NOT INTENDED OR AUTHORIZED FOR REUSE BY ANY PARTY ON EXTENSIONS OF SUCH PROJECT OR ANY OTHER PROJECT ANY REUSE, INCLUDING COPYING AND/OR MODIFYING THE DOCUMENT, WITHOUT WRITTEN PERMISSION FROM EMC ENGINEERS FOR THE SPECIFIC PURPOSE INTENDED IS A VIOLATION OF FEDERAL COPYRIGHT LAW. UNAUTHORIZED USE OF THIS MATERIAL MAY RESULT IN CIVIL AND/OR CRIMINAL PENALTIES.
COPY RIGHT 2013 EMC ENGINEERS.

Project:	UPGRADE AND REPLACE THE SANITARY SEWER SYSTEM AT THE EL PASO COUNTY DETENTION FACILITY
Location:	601 E OVERLAND STREET EL PASO, TEXAS
Job Number:	ETC-2108022
Date:	11/23/2021
Scale:	AS SHOWN
Sheet:	P-5.13
6B of: X	

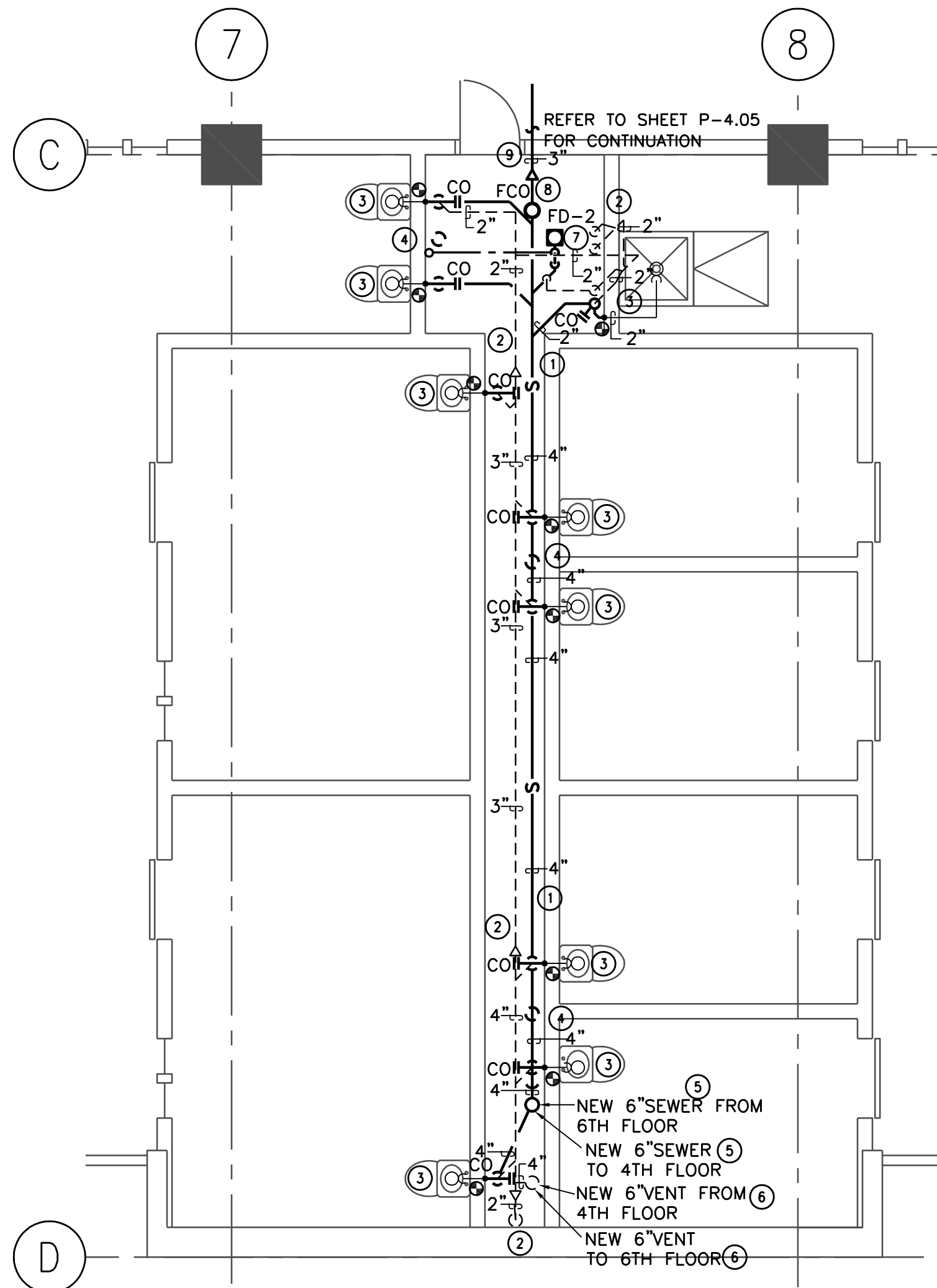


EMC ENGINEERS
2311 E. BUSINESS AVENUE SUITE 100
EL PASO, TEXAS 79901
TEL: 915-781-2030
FAX: 915-781-2035
TEXAS FIRM REG. #4353
EMC PROJECT #180822

Rev.#	Date	Initial	Description
			ETC
			ETC

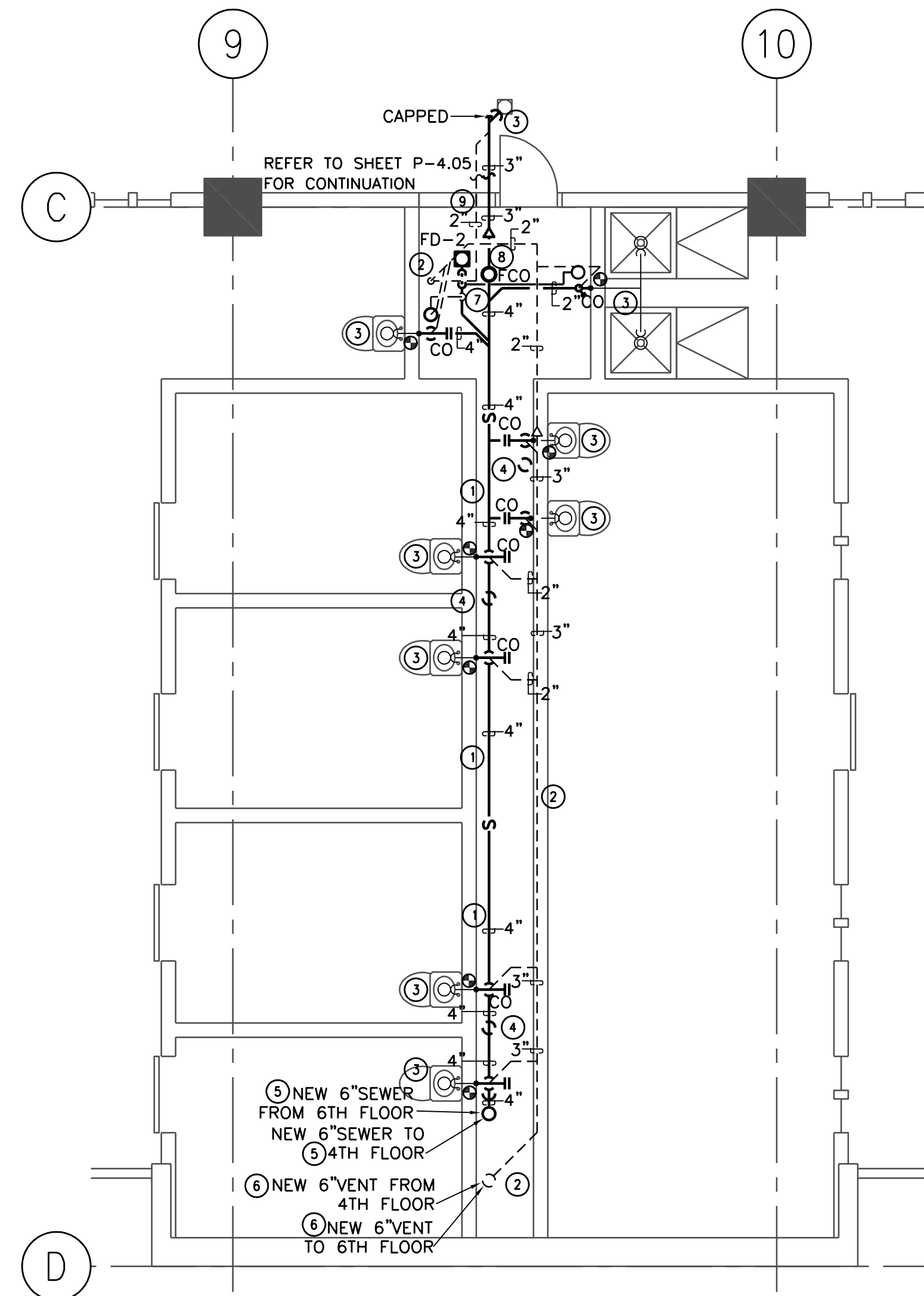


THE SEAL APPEARING ON THIS DOCUMENT WAS AUTHORIZED BY MELVIN G. GLASS, P.E. #64935 OF EMC ENGINEERS (TEXAS FIRM REG. #2491) ON JANUARY 28, 2022. ANY ALTERATION OR REPRODUCTION WITHOUT PROPER NOTIFICATION TO THE RESPONSIBLE ENGINEER IS AN OFFENSE UNDER THE TEXAS ENGINEERING PRACTICE ACT.



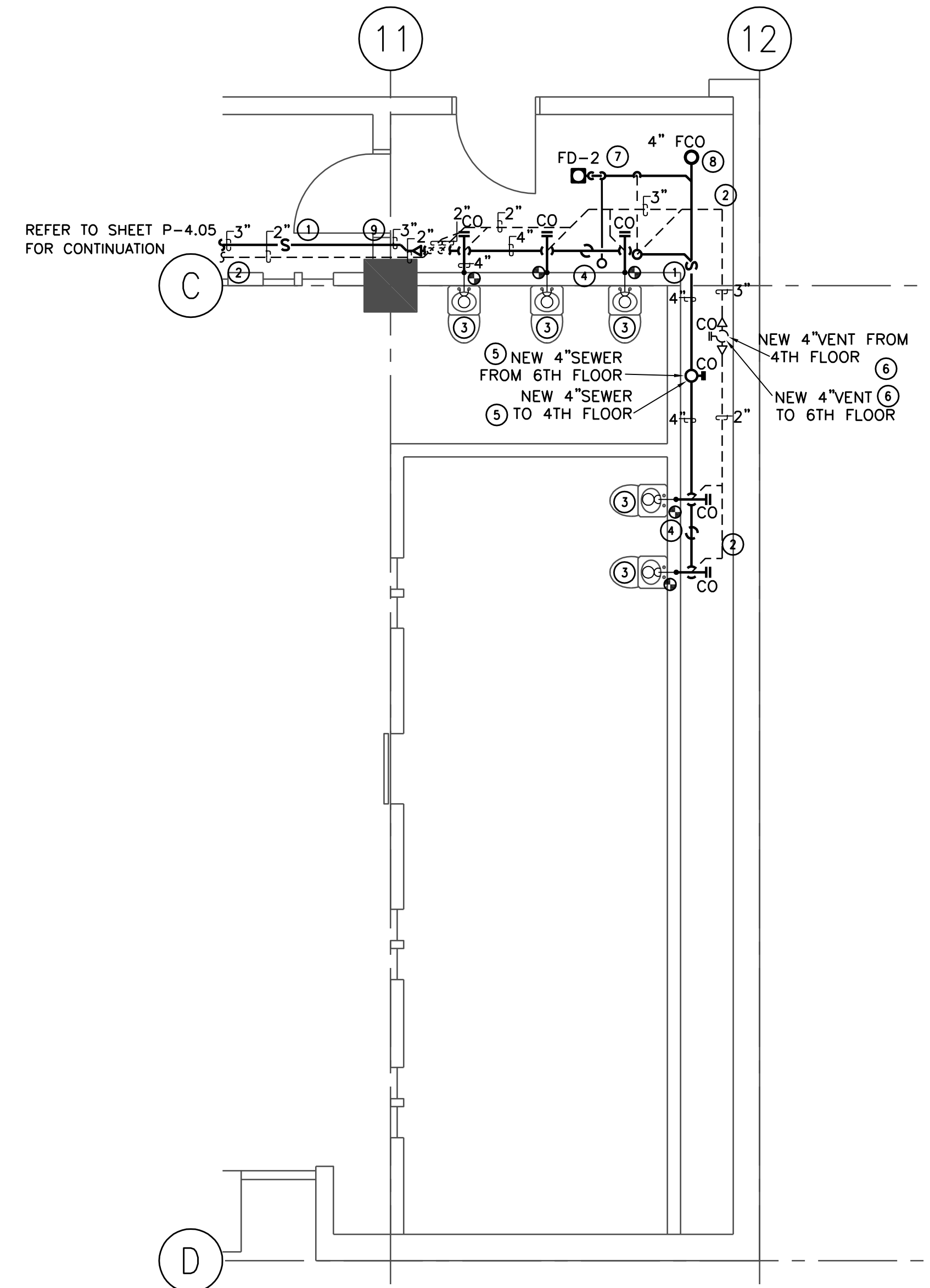
1 FIFTH FLOOR ENLARGED REMODEL PLUMBING SEWER WASTE AND VENT PIPING FLOOR PLAN

SCALE: 1/4" = 1'-0" REFER TO DEMOLITION PLAN 4/P-306



2 FIFTH FLOOR ENLARGED REMODEL PLUMBING SEWER WASTE AND VENT PIPING FLOOR PLAN

SCALE: 1/4" = 1'-0" REFER TO DEMOLITION PLAN 5/P-306



3 FIFTH FLOOR ENLARGED REMODEL PLUMBING SEWER WASTE AND VENT PIPING FLOOR PLAN

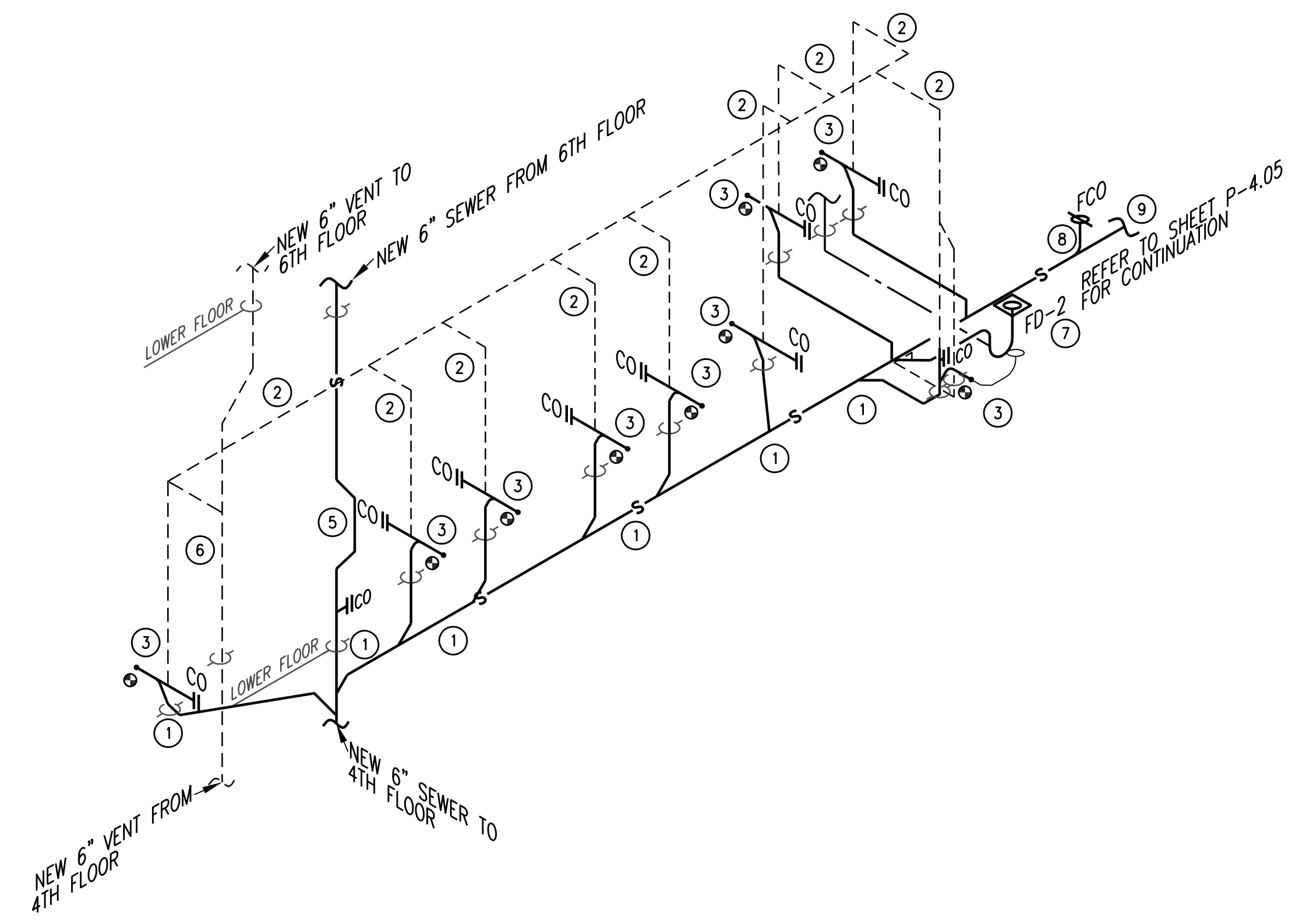
SCALE: 1/4" = 1'-0" REFER TO DEMOLITION PLAN 6/P-306

REMODEL PLUMBING GENERAL NOTES:

- THE INTENT IS TO REMODEL REPLACEMENT OF THE SEWER AND VENTING SYSTEMS FOR THE FACILITY. THIS FACILITY IS A 24/7 SECURED OPERATION FACILITY, SO THE CONTRACTOR SHALL COORDINATE ALL DEMOLITION AND REMODEL WORK WITH THE DETENTION PERSONNEL.
- SOME PLUMBING CHASES CONTAIN MECHANICAL DUCTWORK, THE CONTRACTOR SHALL COORDINATE THE INSTALLATION OF NEW SEWER AND VENT PIPING WITH THIS DUCTWORK.

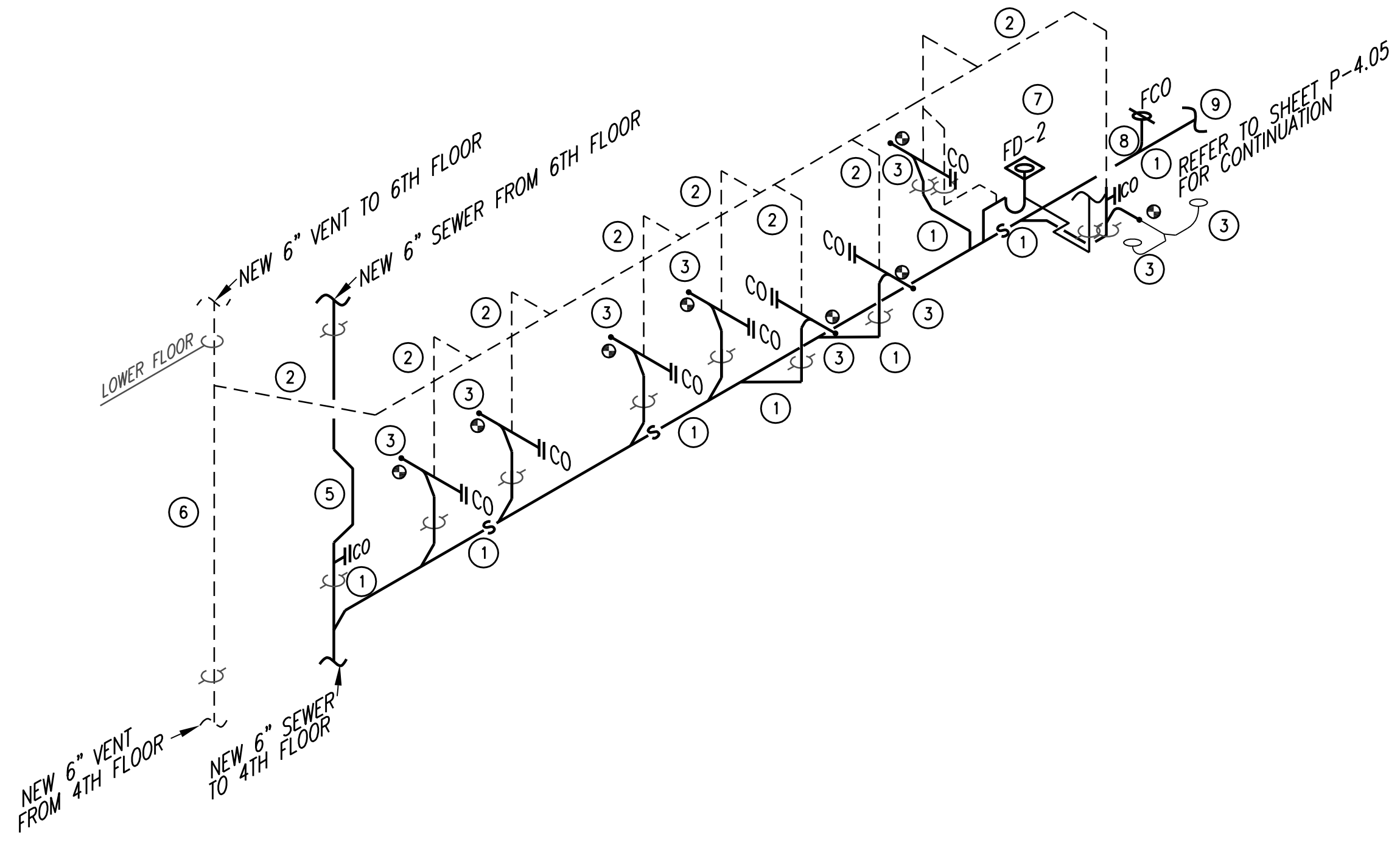
REMODEL PLUMBING KEYED NOTES:

- REPLACE EXISTING SEWER WITH NEW SEWER PIPING AT SIZE AS INDICATED INSTALL AND SUPPORT PIPING PER SCHEMATICS 8/P1.01, 9/P-1.01 AND 12/P-1.01.
- REPLACE EXISTING VENT WITH NEW VENT PIPING AT SIZE AS INDICATED INSTALL AND SUPPORT PIPING PER SCHEMATICS 8/P1.01, 9/P-1.01 AND 12/P-1.01.
- EXISTING SEWER AND VENT PIPING FROM STAND ALONE WC, FLOOR DRAINS, AND SHOWER ASSEMBLY FIXTURE IS TO REMAIN AND BE RECONNECTED TO THE NEW SEWER MAIN AT WALL/FLOOR PENETRATION AS INDICATED.
- EXISTING FLOOR PENETRATION TO BE FILLED IN WITH CONCRETE TO SEAL THE OPENING.
- NEW MAIN SEWER RISER PIPING IS TO REPLACE THE EXISTING RISER IN THE SAME PLACE IN CHASE TO BE INSTALLED IN SAME LOCATION OF EXISTING MAIN SEWER RISER PIPING, REFER TO SCHEMATIC 8/P-1.01 FOR FLOOR PENETRATION, OFFSET SEWER RISER PER SCHEMATIC 10/P-1.01.
- NEW MAIN VENT RISER PIPING IS TO REPLACE THE EXISTING RISER IN THE SAME PLACE IN CHASE TO BE INSTALLED IN SAME LOCATION OF EXISTING MAIN VENT RISER PIPING, REFER TO SCHEMATIC 8/P-1.01 FOR FLOOR PENETRATION.
- NEW FLOOR DRAIN (FD-2) TO BE INSTALLED IN PLUMBING CHASE, REFER TO 11/P-1.01 FOR FURTHER INFORMATION.
- NEW FLOOR CLEANOUT (FCO) TO BE INSTALLED PER SCHEMATIC 1/P-1.01.
- PIPING PENETRATION WALL PER SCHEMATIC 7/P1.01.



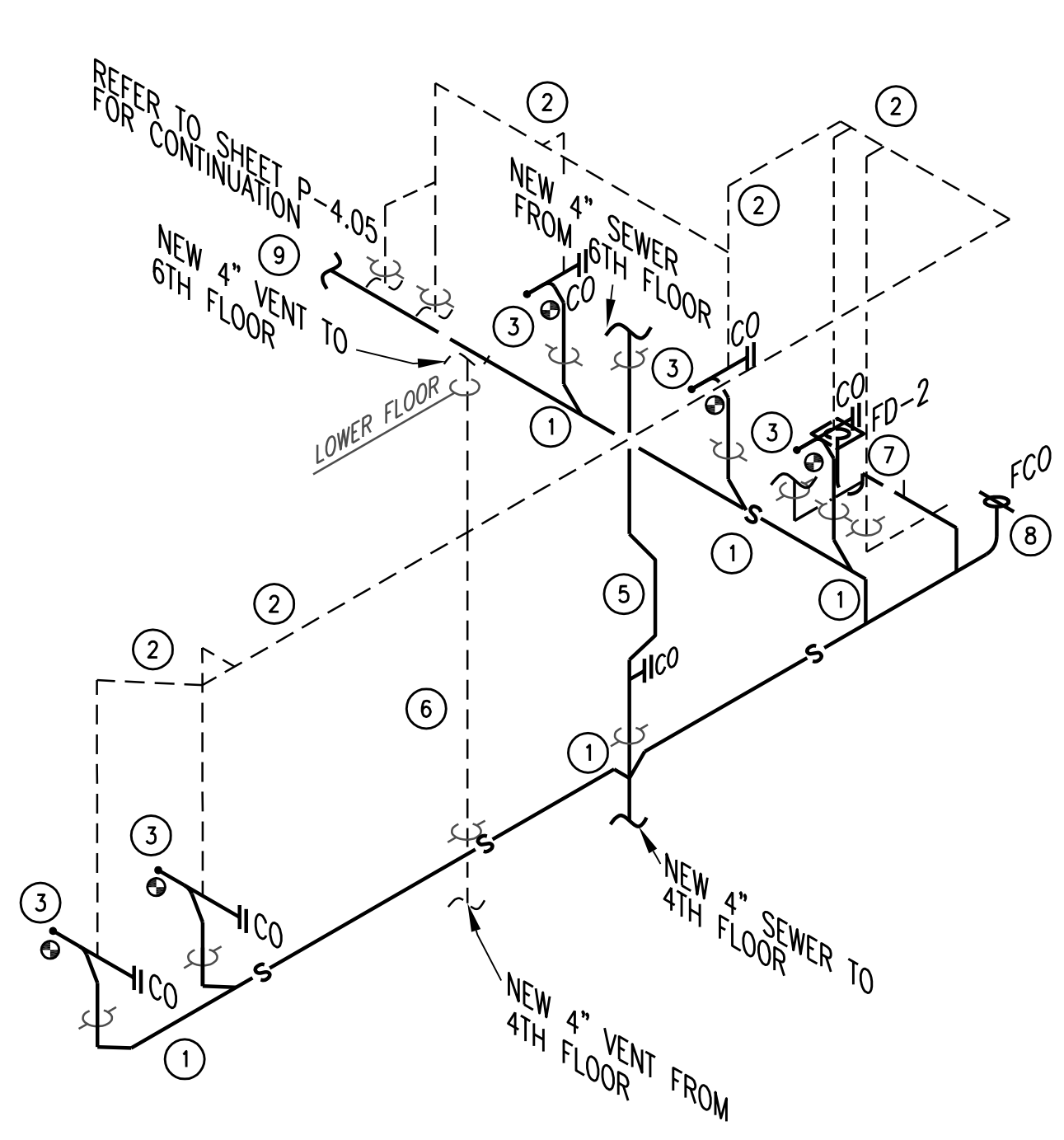
4 SEWER WASTE AND VENT PIPING ISOMETRIC

SCALE: NONE REFER TO 1/P-514 FOR FLOOR PLAN



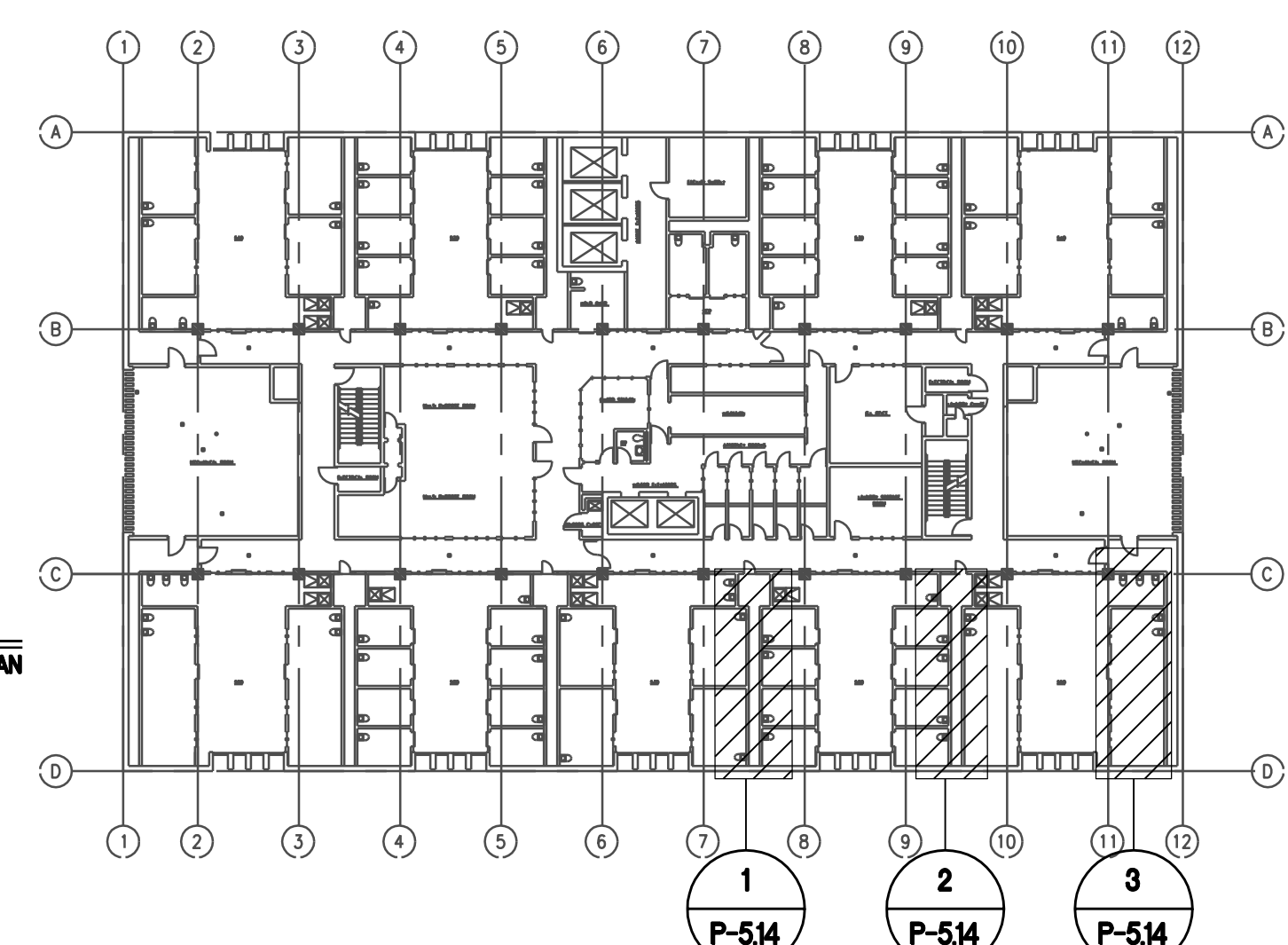
5 SEWER WASTE AND VENT PIPING ISOMETRIC

SCALE: NONE REFER TO 2/P-514 FOR FLOOR PLAN



6 SEWER WASTE AND VENT PIPING ISOMETRIC

SCALE: NONE REFER TO 3/P-514 FOR FLOOR PLAN



FIFTH FLOOR KEY PLAN

SCALE: NONE

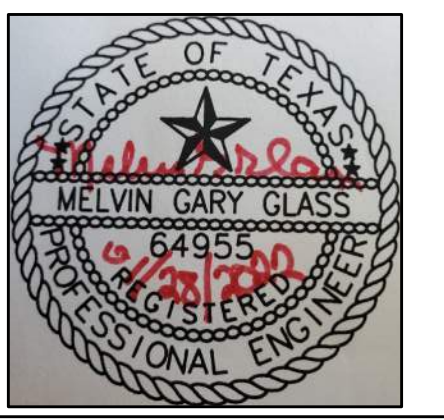
THIS DOCUMENT, WHETHER IN HARD COPY OR MACHINE READABLE FORMAT, IS COPYRIGHTED AND AN INSTRUMENT OF SERVICES IN RESPECT TO THE PROJECT FOR WHICH IT WAS PREPARED. THIS DOCUMENT IS NOT INTENDED OR AUTHORIZED FOR REUSE BY ANY PARTY ON EXTENSIONS OF SUCH PROJECT OR ANY OTHER PROJECT. ANY REUSE, INCLUDING COPYING AND/OR MODIFYING THE DOCUMENT, WITHOUT WRITTEN PERMISSION FROM EMC ENGINEERS FOR THE SPECIFIC PURPOSE INTENDED IS A VIOLATION OF FEDERAL COPYRIGHT LAW. UNAUTHORIZED USE OF THIS MATERIAL MAY RESULT IN CIVIL AND/OR CRIMINAL PENALTIES.

COPY RIGHT 2013 EMC ENGINEERS.

Project:	UPGRADE AND REPLACE THE SANITARY SEWER SYSTEM AT THE EL PASO COUNTY DETENTION FACILITY
Location:	601 E OVERLAND STREET EL PASO, TEXAS
Job Number:	ETC-2108022
Date:	11/23/2021
Scale:	AS SHOWN
Sheet:	P-5.14
69 of:	X

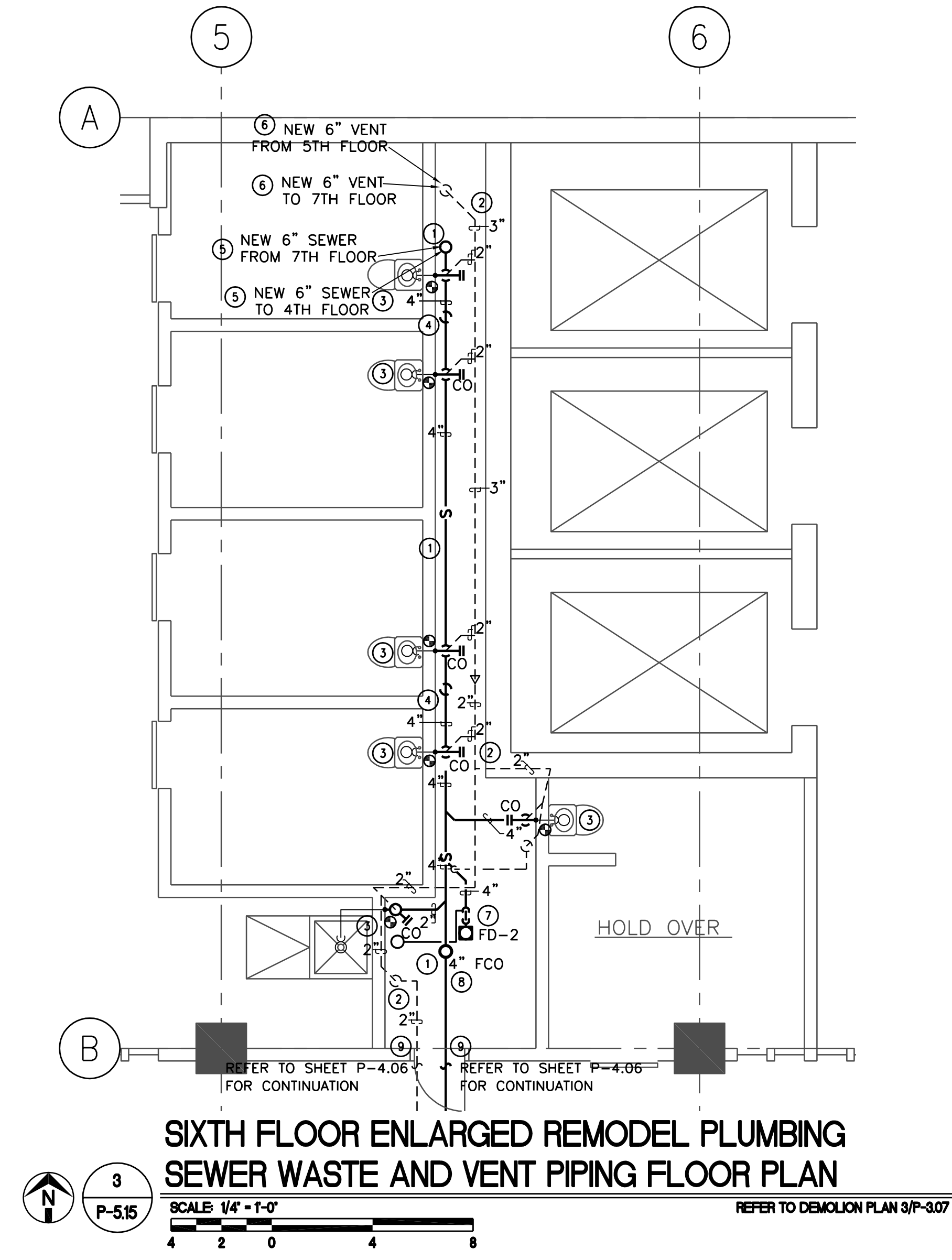
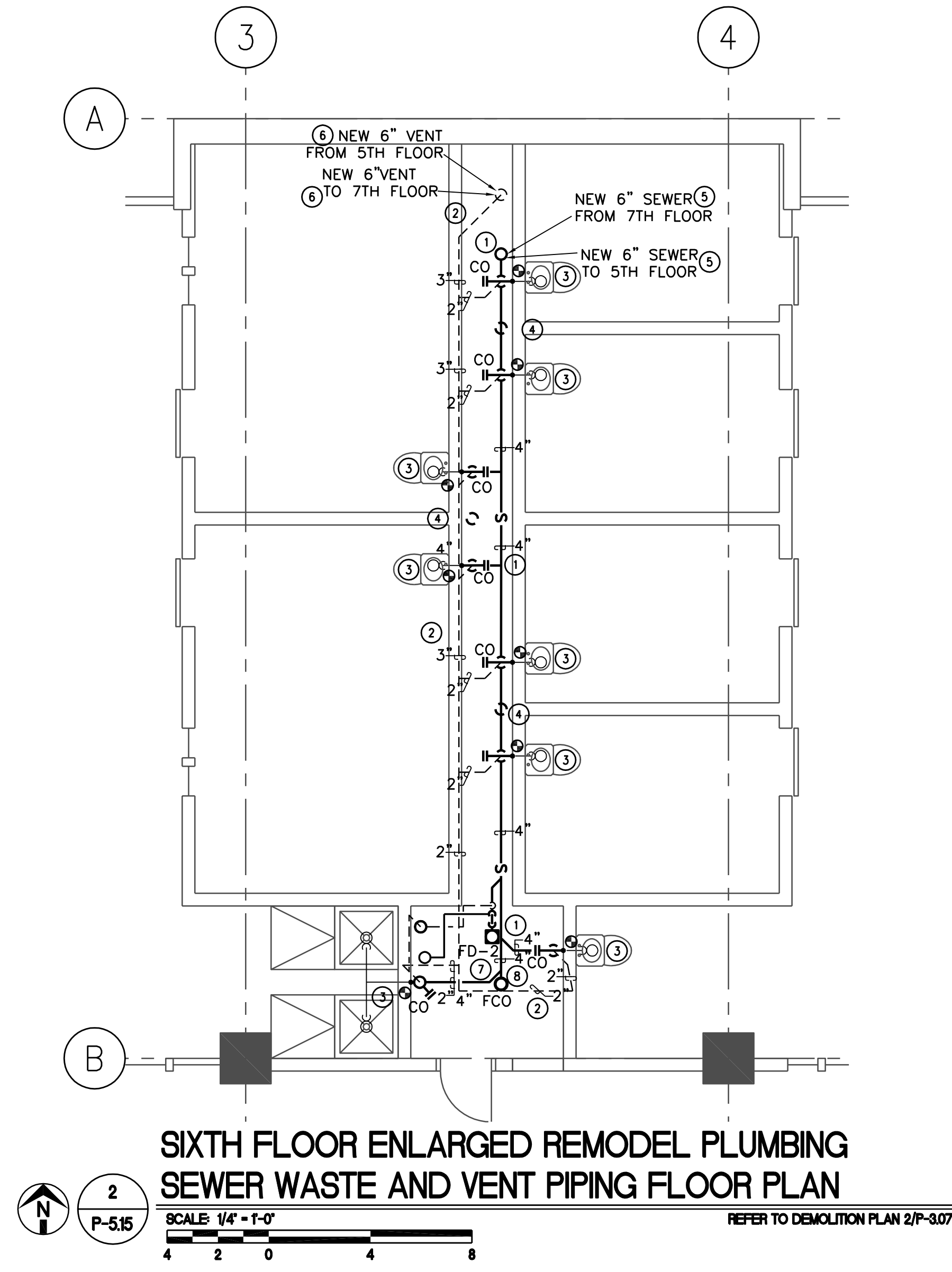
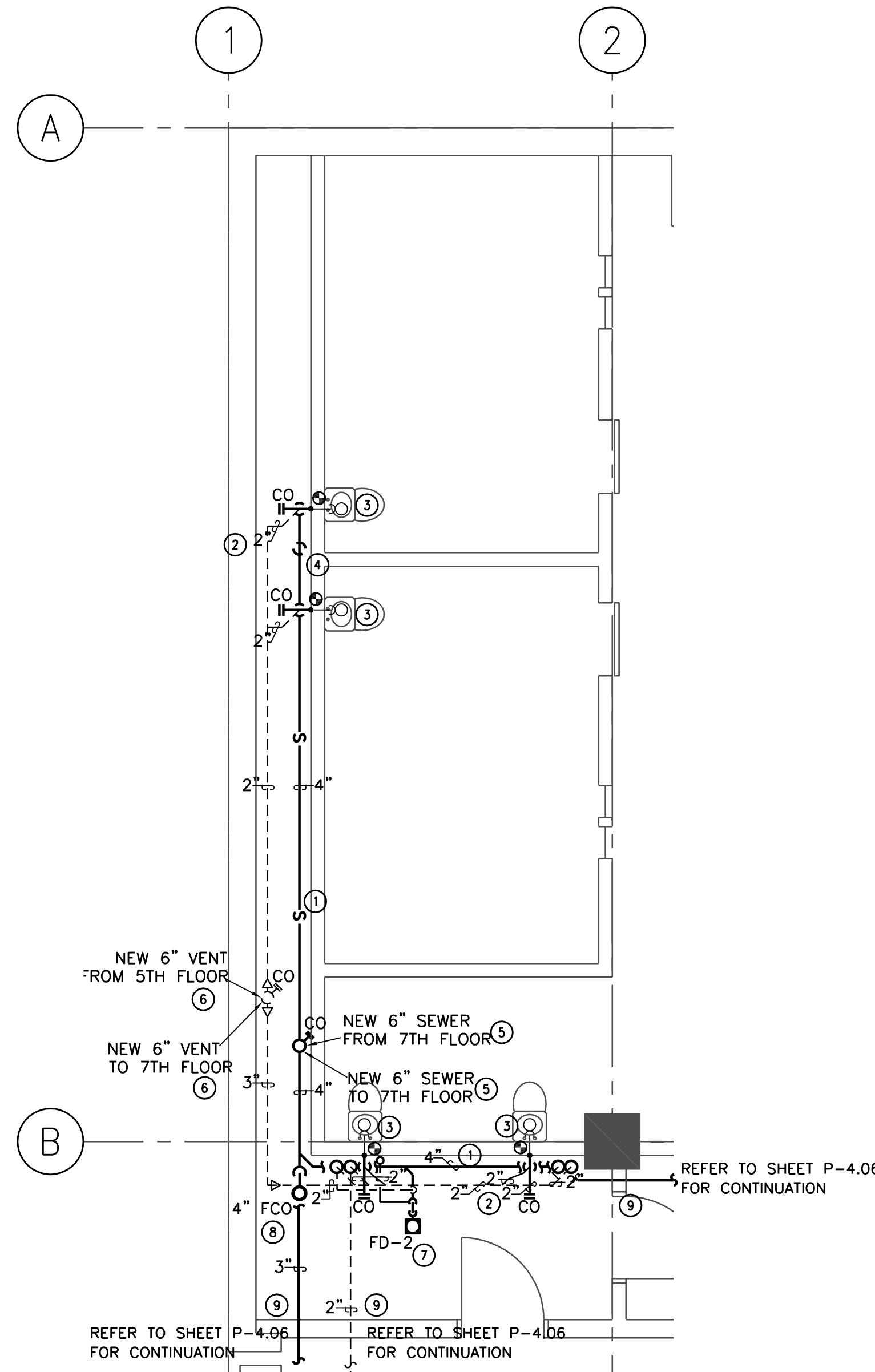
EMC ENGINEERS
2311 E. BUSINESS AVENUE SUITE 100
EL PASO, TEXAS 79906
TEL: 915-781-2030
FAX: 915-781-2030
WWW.EMCENGINEERS.COM
EMC PROJECT #170022

Designed By: ETC
Drawn By: ETC
Checked By: ETC



THE SEAL APPEARING ON THIS DOCUMENT WAS AUTHORIZED BY MELVIN G. GLASS, P.E. #64935 OF EMC ENGINEERS (TEXAS FIRM REG. #2491) ON JANUARY 28, 2022. ANY ALTERATION OF A SEALED DOCUMENT WITHOUT PROPER NOTIFICATION TO THE RESPONSIBLE ENGINEER IS AN OFFENSE UNDER THE TEXAS ENGINEERING PRACTICE ACT.

Project:	UPGRADE AND REPLACE THE SANITARY SEWER SYSTEM AT THE EL PASO COUNTY DETENTION FACILITY
Location:	601 E OVERLAND STREET EL PASO, TEXAS
Job Number:	ETC-2108022
Date:	11/23/2021
Scale:	AS SHOWN
Sheet:	P-5.15
70 of:	X

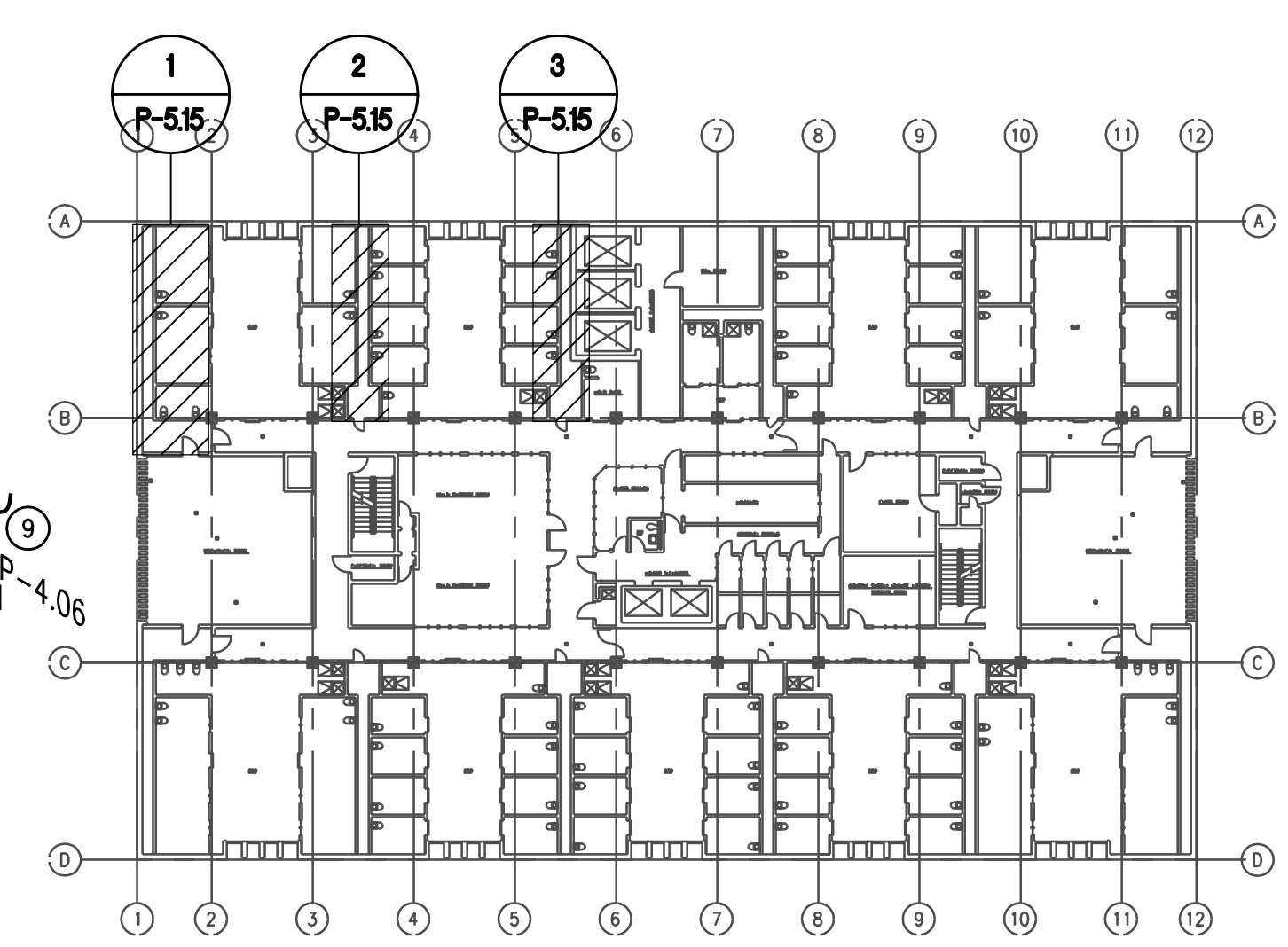
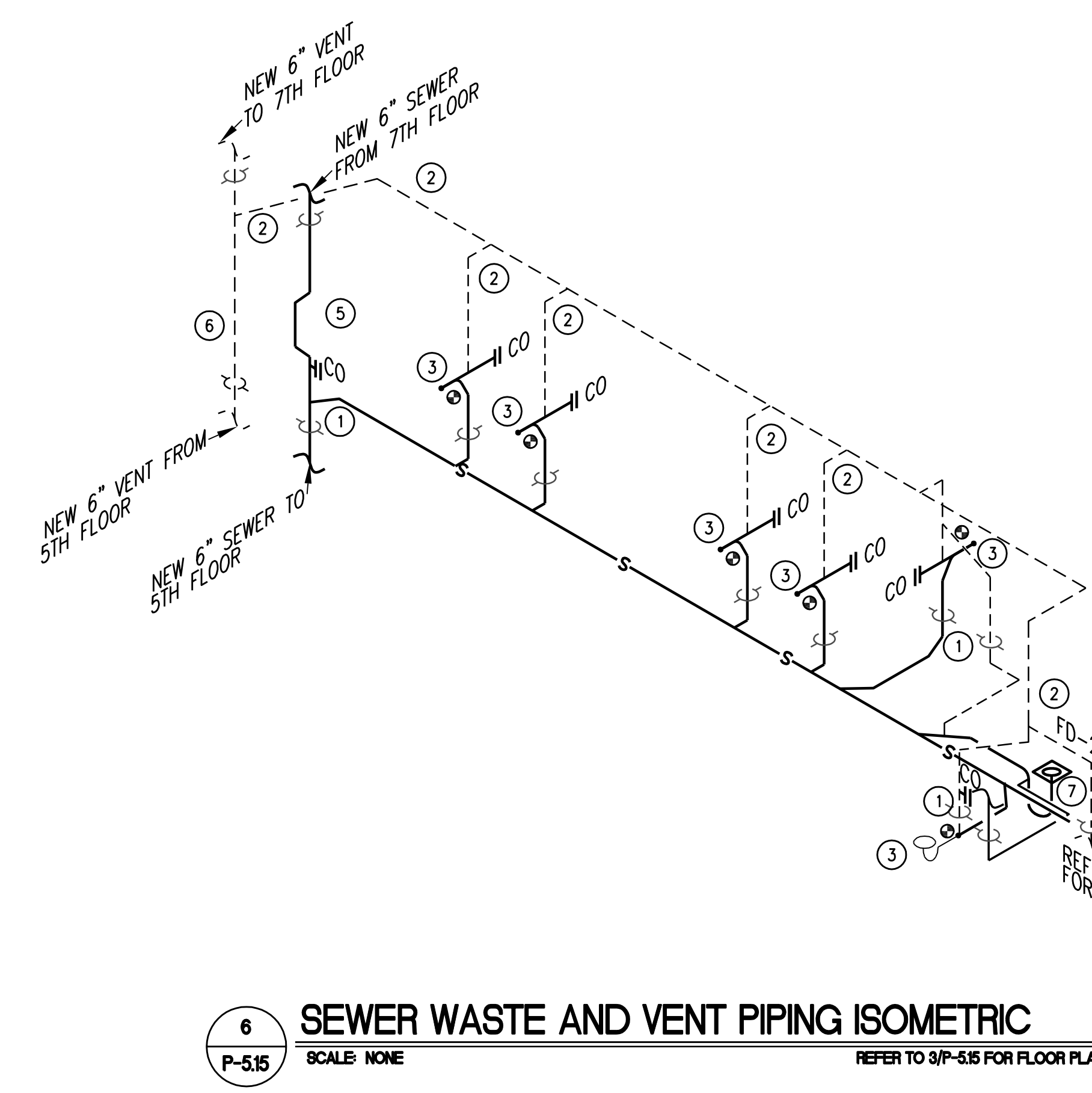
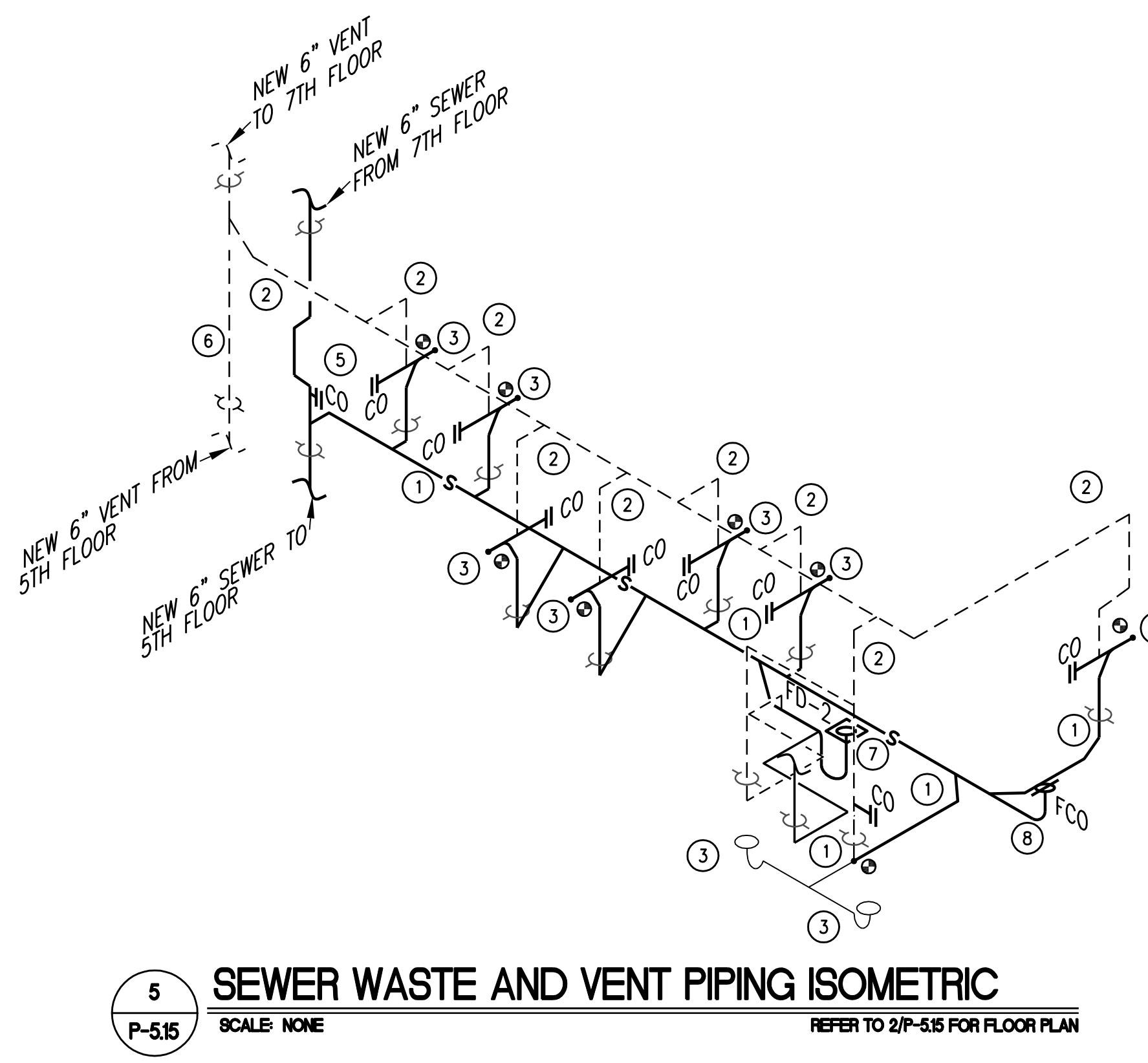
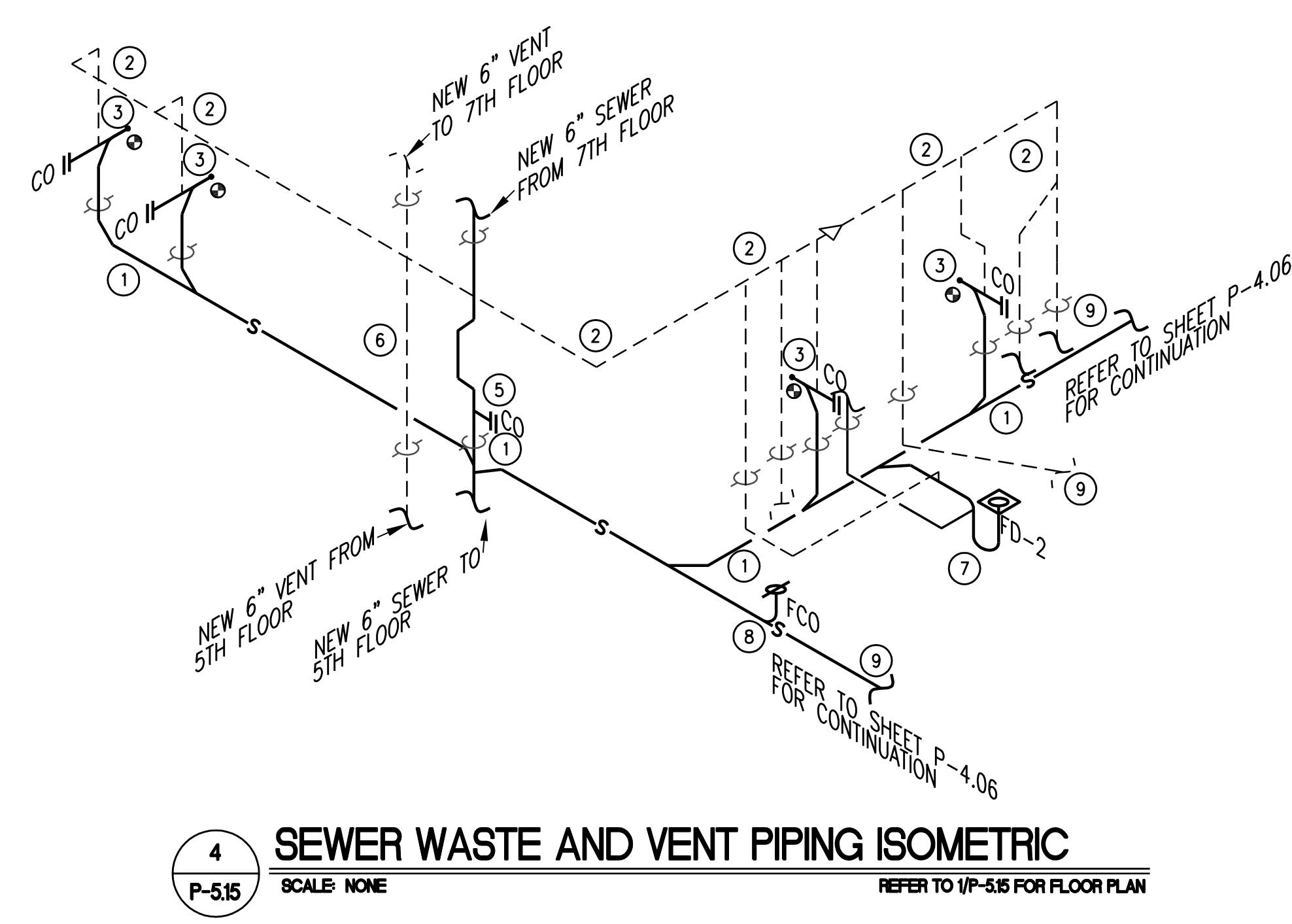


REMODEL PLUMBING GENERAL NOTES:

- THE INTENT IS TO REMODEL REPLACEMENT OF THE SEWER AND VENTING SYSTEMS FOR THE FACILITY. THIS FACILITY IS A 24/7 SECURED OPERATION FACILITY, SO THE CONTRACTOR SHALL COORDINATE ALL DEMOLITION AND REMODEL WORK WITH THE DETENTION PERSONNEL.
- SOME PLUMBING CHASES CONTAIN MECHANICAL DUCTWORK, THE CONTRACTOR SHALL COORDINATE THE INSTALLATION OF NEW SEWER AND VENT PIPING WITH THIS DUCTWORK.

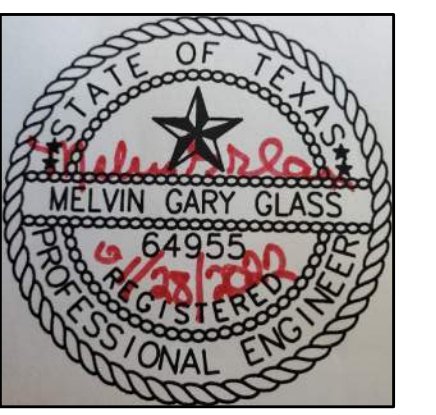
REMODEL PLUMBING KEYED NOTES:

- REPLACE EXISTING SEWER WITH NEW SEWER PIPING AT SIZE AS INDICATED INSTALL AND SUPPORT PIPING PER SCHEMATICS 8/P.1.01, 9/P-1.01 AND 12/P-1.01.
- REPLACE EXISTING VENT WITH NEW VENT PIPING AT SIZE AS INDICATED INSTALL AND SUPPORT PIPING PER SCHEMATICS 8/P.1.01, 9/P-1.01 AND 12/P-1.01.
- EXISTING SEWER AND VENT PIPING FROM STAND ALONE WC, FLOOR DRAINS, AND SHOWER ASSEMBLIES FIXTURE IS TO REMAIN AND BE RECONNECTED TO THE NEW SEWER MAIN AT WALL/FLOOR PENETRATION AS INDICATED.
- EXISTING FLOOR PENETRATION TO BE FILLED IN WITH CONCRETE TO SEAL THE OPENING.
- NEW MAIN SEWER RISER PIPING IS TO REPLACE THE EXISTING RISER IN THE SAME PLACE IN CHASE TO BE INSTALLED IN SAME LOCATION OF EXISTING MAIN SEWER RISER PIPING, REFER TO SCHEMATIC 8/P-1.01 FOR FLOOR PENETRATION, OFFSET SEWER RISER PER SCHEMATIC 10/P-1.01.
- NEW MAIN VENT RISER PIPING IS TO REPLACE THE EXISTING RISER IN THE SAME PLACE IN CHASE TO BE INSTALLED IN SAME LOCATION OF EXISTING MAIN VENT RISER PIPING, REFER TO SCHEMATIC 8/P-1.01 FOR FLOOR PENETRATION.
- NEW FLOOR DRAIN (FD-2) TO BE INSTALLED IN PLUMBING CHASE, REFER TO 11/P-1.01 FOR FURTHER INFORMATION.
- NEW FLOOR CLEANOUT (FCO) TO BE INSTALLED PER SCHEMATIC 1/P-1.01.
- PIPING PENETRATION WALL PER SCHEMATIC 7/P.1.01.

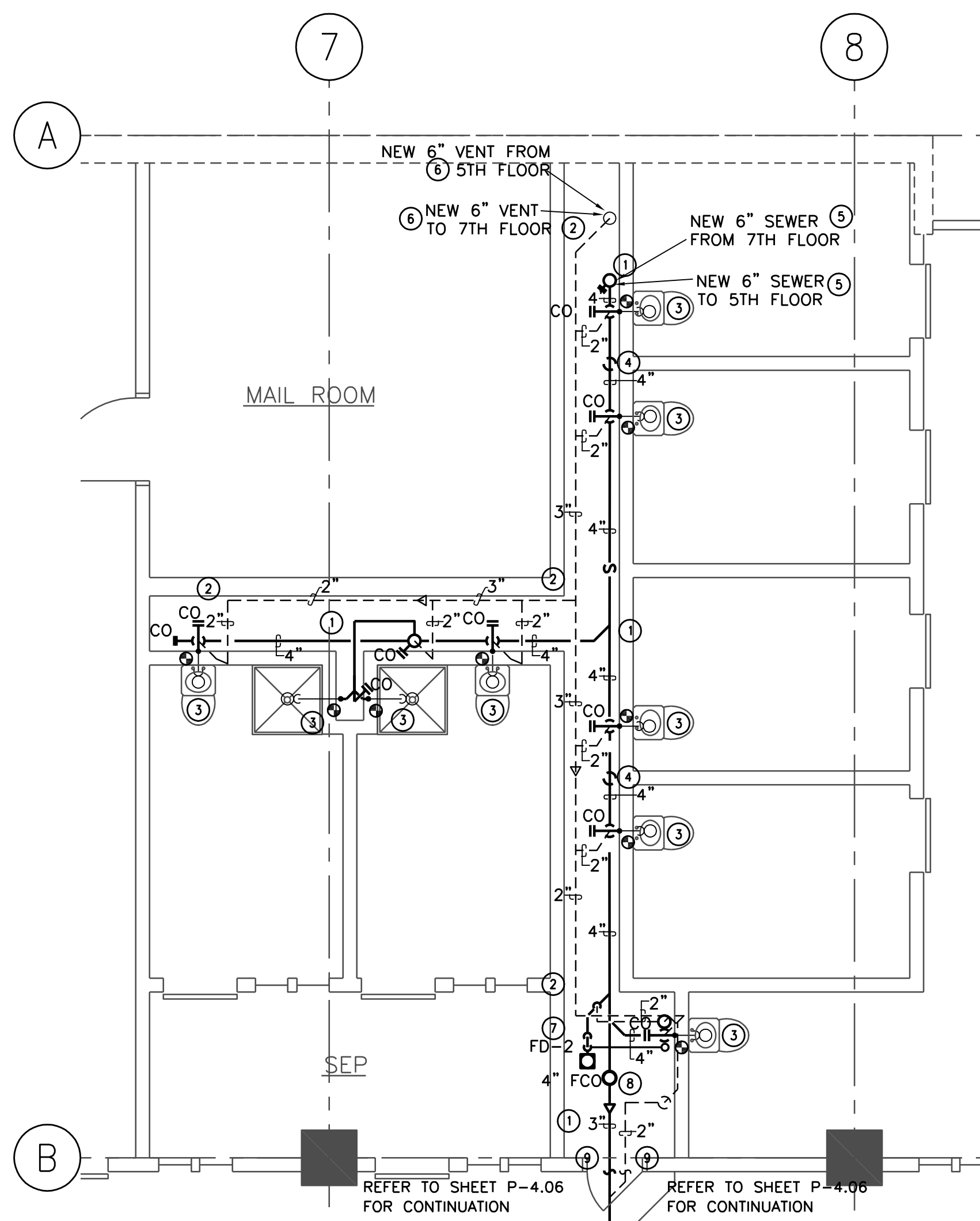


SIXTH FLOOR KEY PLAN
SCALE: NONE

THIS DOCUMENT, WHETHER IN HARD COPY OR MACHINE READABLE FORMAT, IS COPYRIGHTED AND AN INSTRUMENT OF SERVICES IN RESPECT TO THE PROJECT FOR WHICH IT WAS PREPARED. THIS DOCUMENT IS NOT INTENDED OR AUTHORIZED FOR REUSE BY ANY PARTY ON EXTENSIONS OF SUCH PROJECT OR ANY OTHER PROJECT ANY REUSE, INCLUDING COPYING AND/OR MODIFYING THE DOCUMENT, WITHOUT WRITTEN PERMISSION FROM EMC ENGINEERS FOR THE SPECIFIC PURPOSE INTENDED IS A VIOLATION OF FEDERAL COPYRIGHT LAW. UNAUTHORIZED USE OF THIS MATERIAL MAY RESULT IN CIVIL AND/OR CRIMINAL PENALTIES.
COPY RIGHT 2013 EMC ENGINEERS.

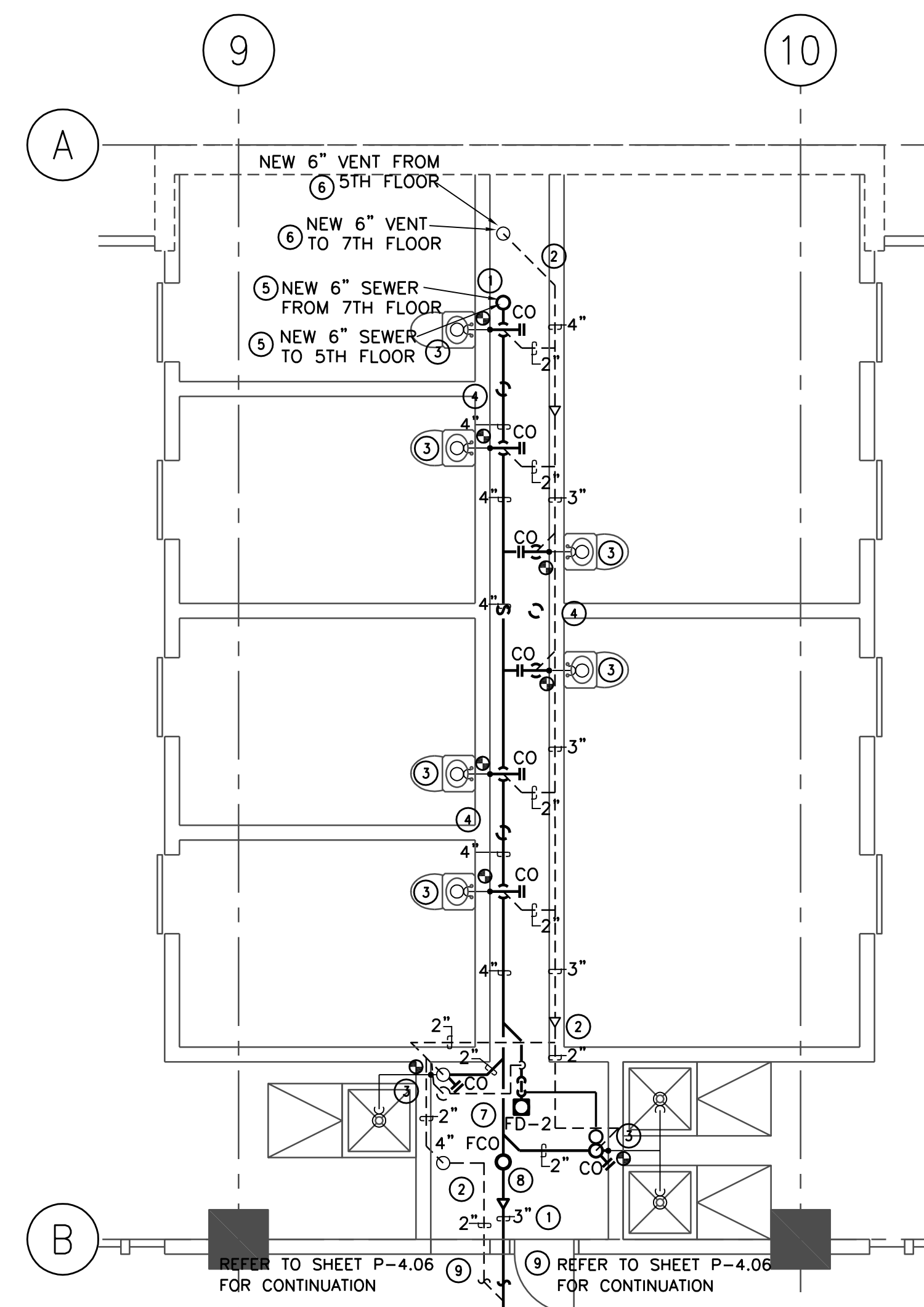


THE SEAL APPEARING ON THIS DOCUMENT WAS AUTHORIZED BY MELVIN G. GLASS, P.E. #64935 OF EMC ENGINEERS (TEXAS FIRM REG. #24991) ON JANUARY 28, 2022. ALTERATION OF A SEALED DOCUMENT WITHOUT PROPER NOTIFICATION TO THE RESPONSIBLE ENGINEER IS AN OFFENSE UNDER THE TEXAS ENGINEERING PRACTICE ACT.



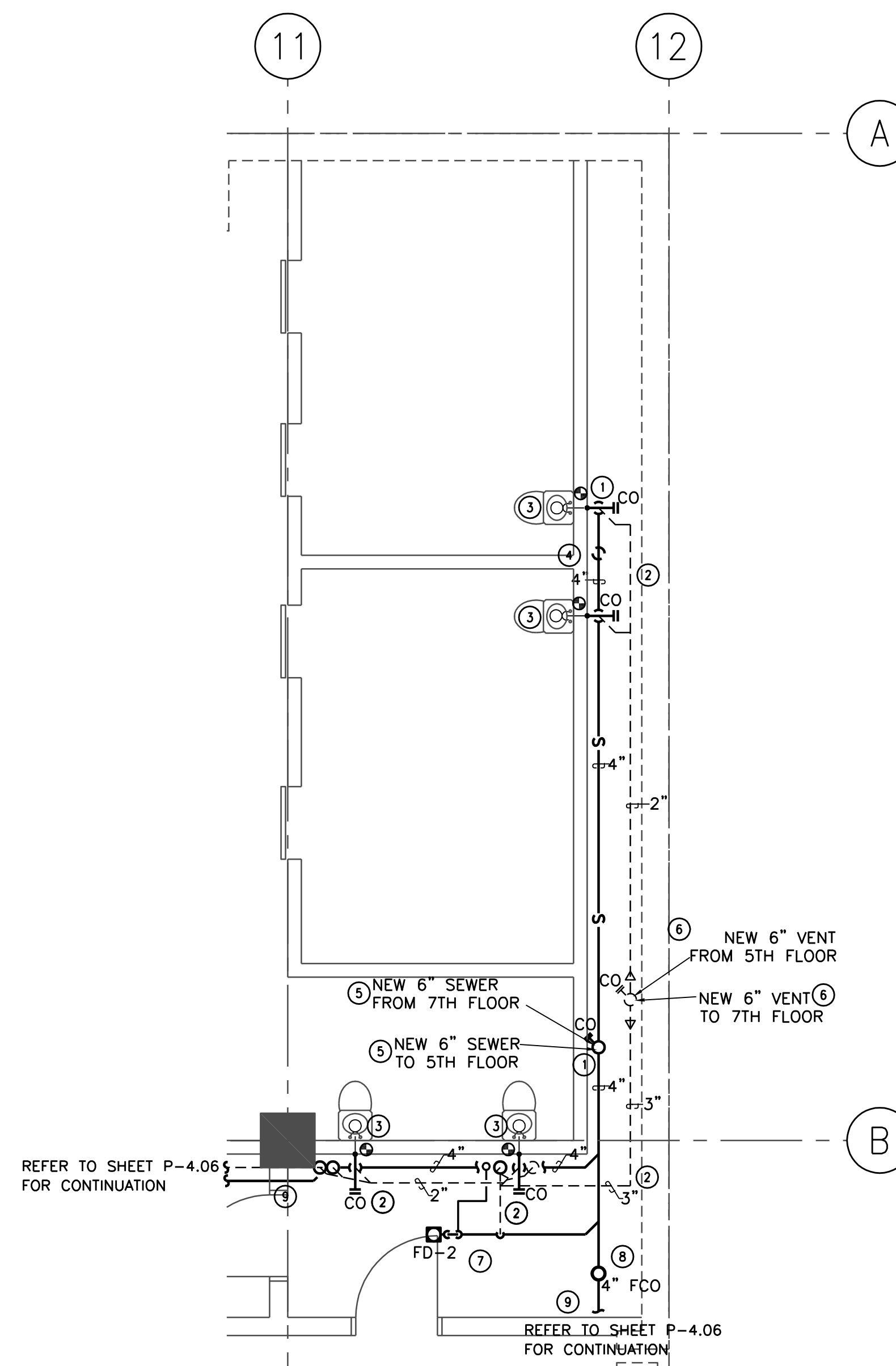
SIXTH FLOOR ENLARGED REMODEL PLUMBING SEWER WASTE AND VENT PIPING FLOOR PLAN

1
P-516
SCALE: 1/4" = 1'-0"
REFER TO DEMOLITION PLAN 4/P307



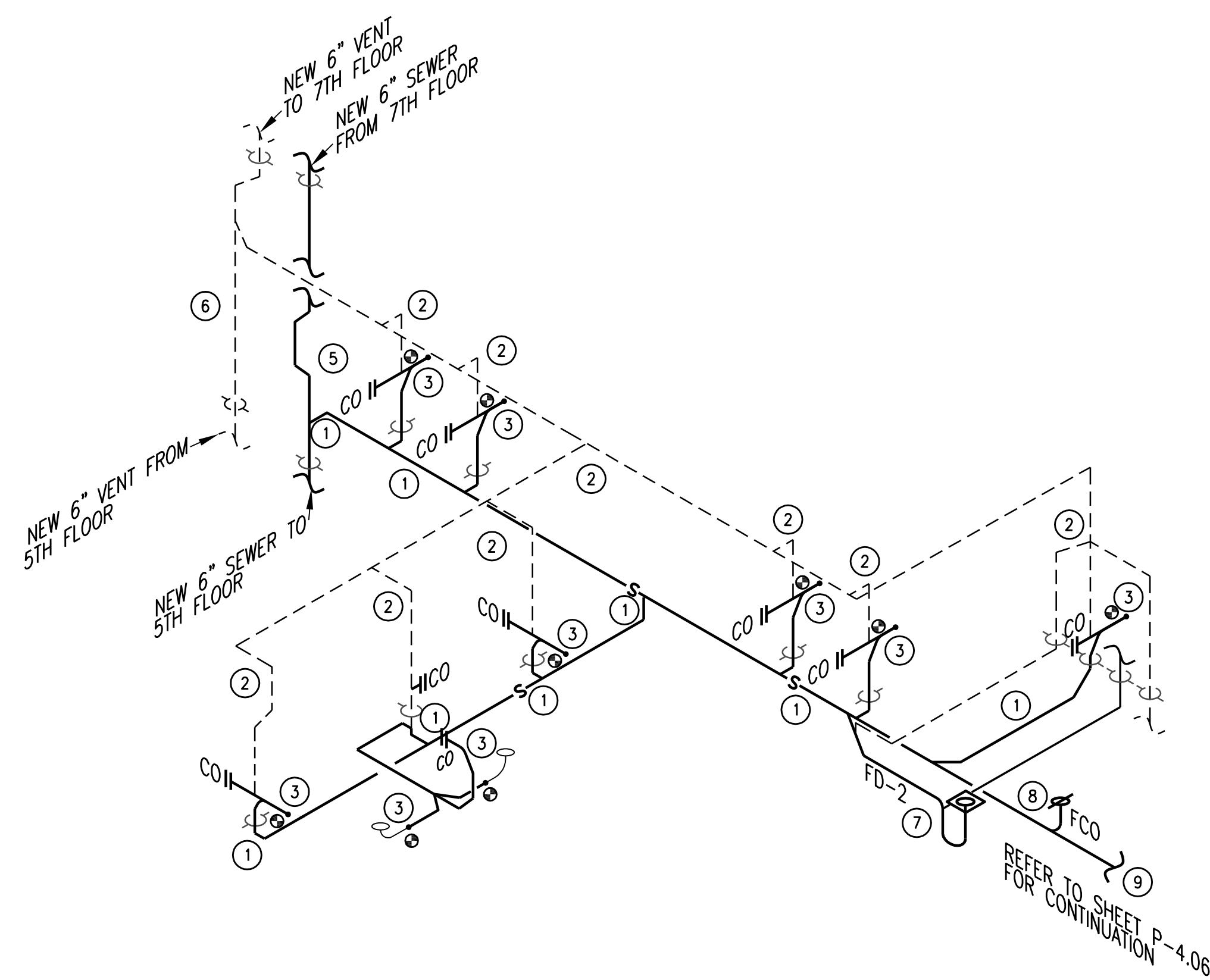
SIXTH FLOOR ENLARGED REMODEL PLUMBING SEWER WASTE AND VENT PIPING FLOOR PLAN

2
P-516
SCALE: 1/4" = 1'-0"
REFER TO DEMOLITION PLAN 5/P307



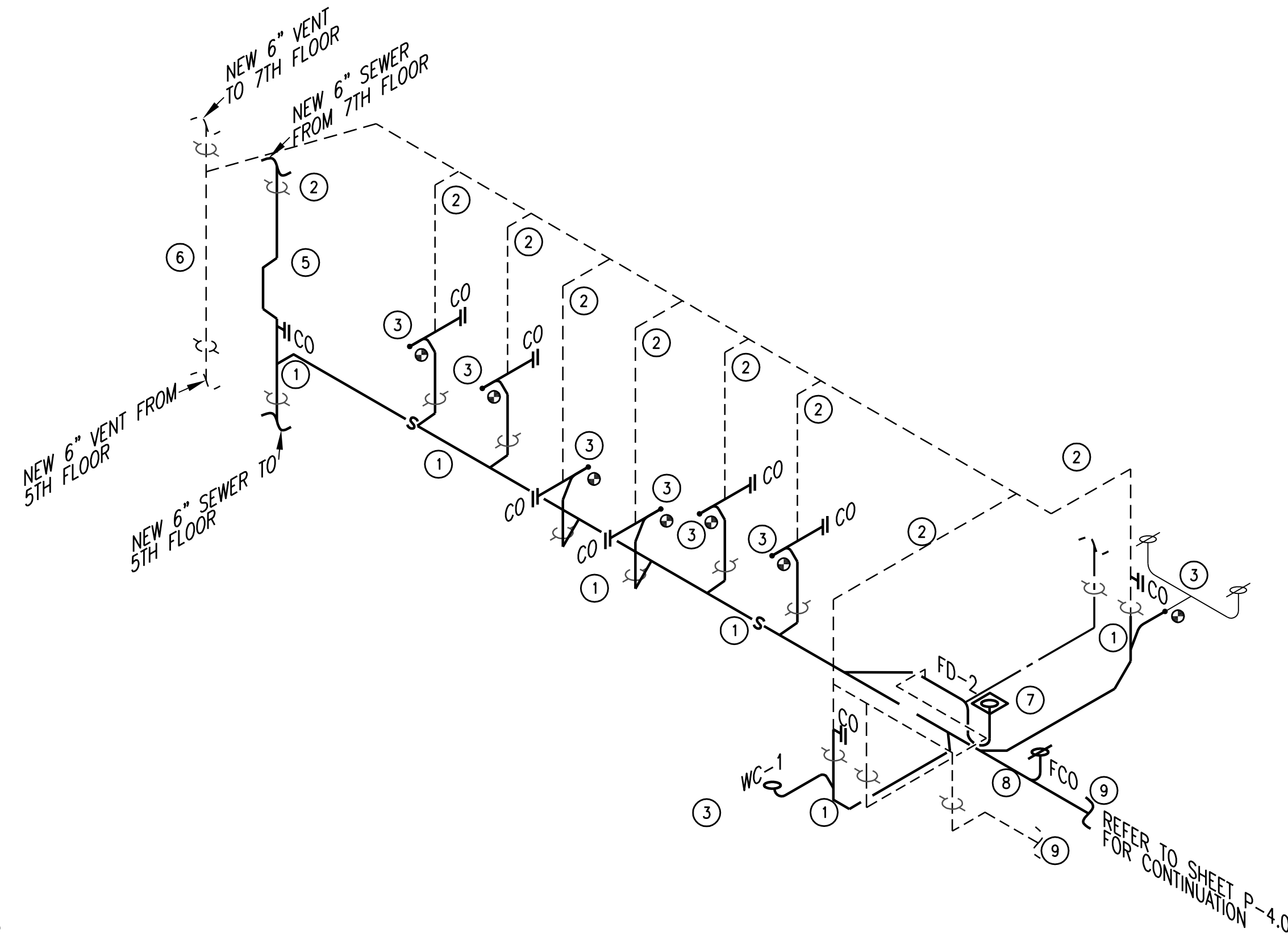
SIXTH FLOOR ENLARGED REMODEL PLUMBING SEWER WASTE AND VENT PIPING FLOOR PLAN

3
P-516
SCALE: 1/4" = 1'-0"
REFER TO DEMOLITION PLAN 6/P307



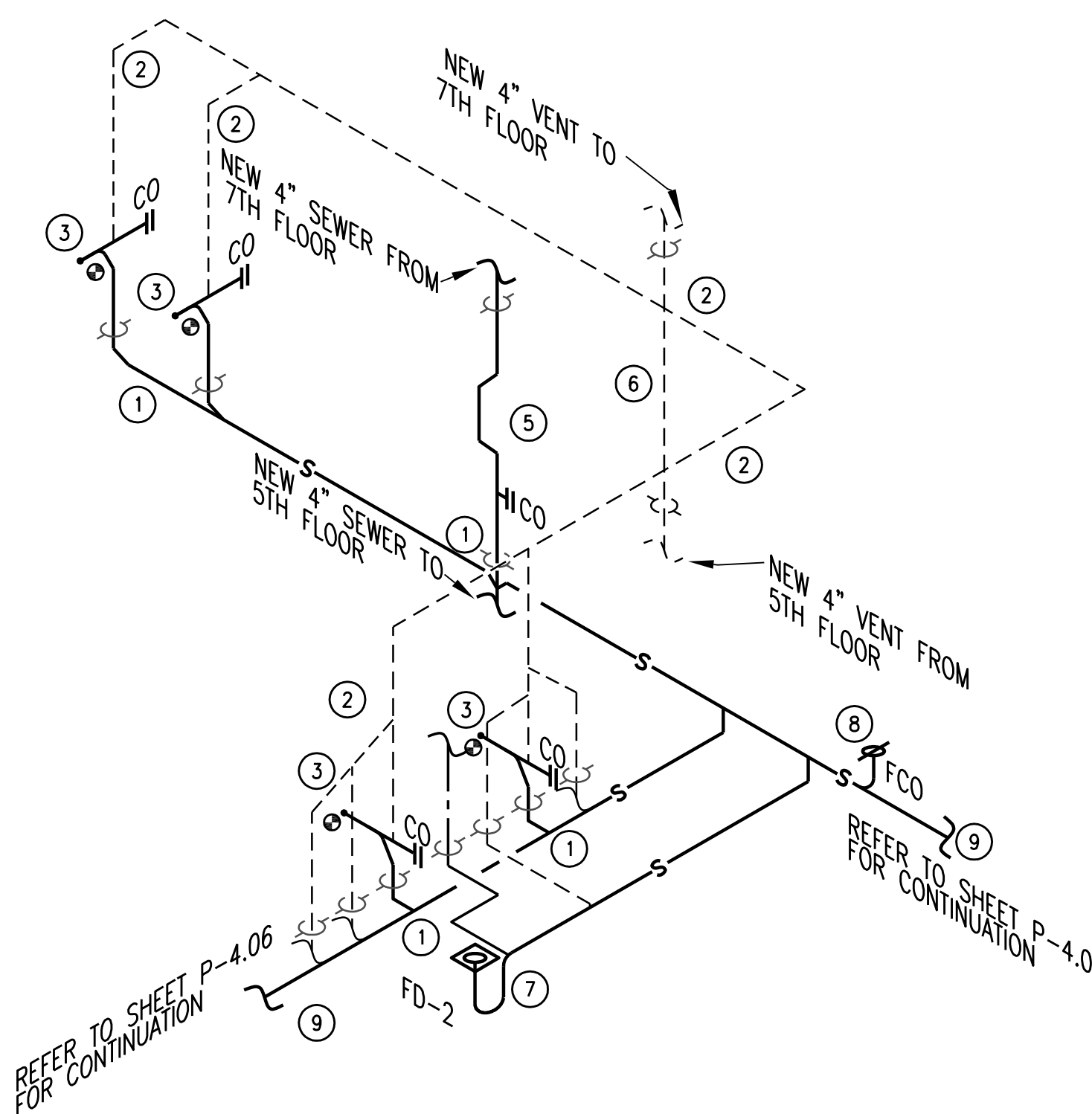
SEWER WASTE AND VENT PIPING ISOMETRIC

4
P-516
SCALE: NONE
REFER TO 1/P-516 FOR FLOOR PLAN



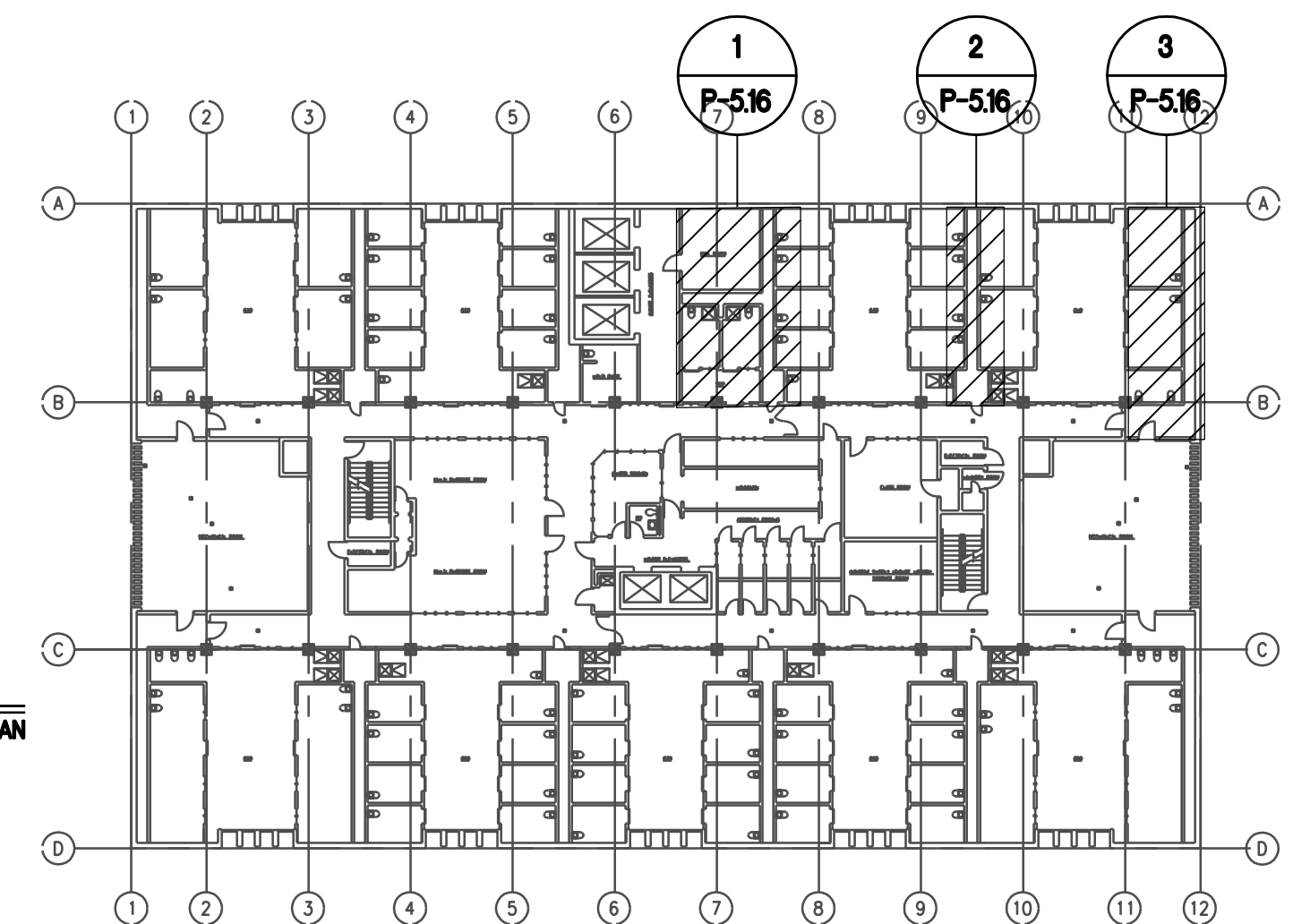
SEWER WASTE AND VENT PIPING ISOMETRIC

5
P-516
SCALE: NONE
REFER TO 2/P-516 FOR FLOOR PLAN



SEWER WASTE AND VENT PIPING ISOMETRIC

6
P-516
SCALE: NONE
REFER TO 3/P-516 FOR FLOOR PLAN



SIXTH FLOOR KEY PLAN

SCALE: NONE

REMODEL PLUMBING GENERAL NOTES:

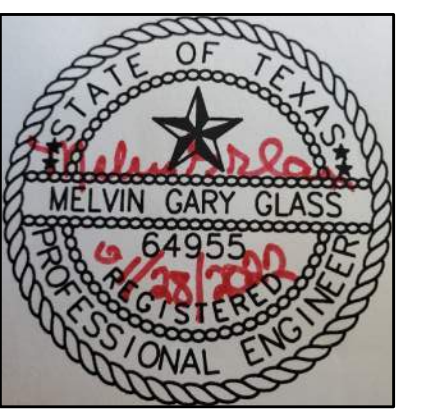
- 1 THE INTENT IS TO REMODEL REPLACEMENT OF THE SEWER AND VENTING SYSTEMS FOR THE FACILITY. THIS FACILITY IS A 24/7 SECURED OPERATION FACILITY, SO THE CONTRACTOR SHALL COORDINATE ALL DEMOLITION AND REMODEL WORK WITH THE DETENTION PERSONNEL.
- 2 SOME PLUMBING CHASES CONTAIN MECHANICAL DUCTWORK, THE CONTRACTOR SHALL COORDINATE THE INSTALLATION OF NEW SEWER AND VENT PIPING WITH THIS DUCTWORK.

REMODEL PLUMBING KEYED NOTES:

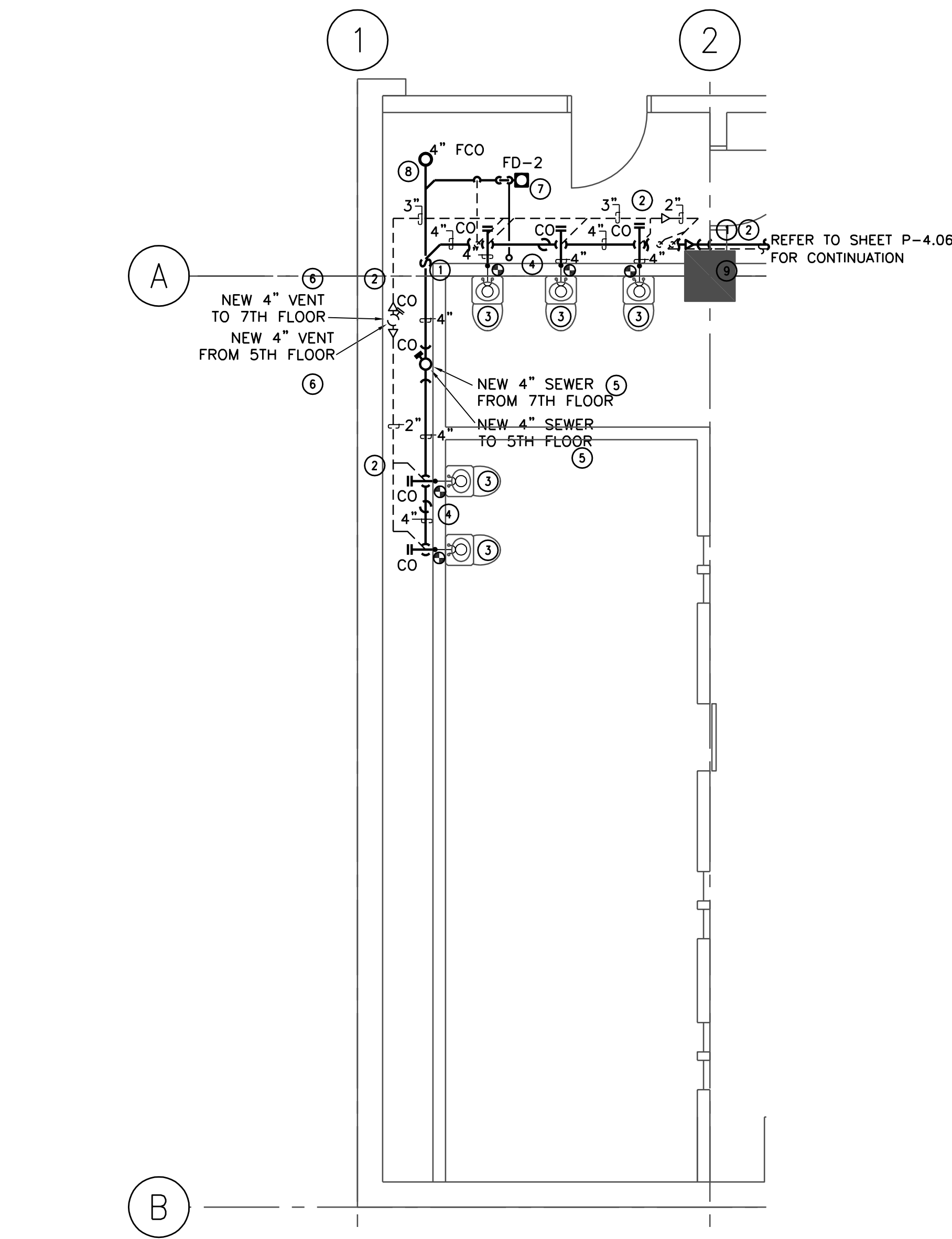
- 1 REPLACE EXISTING SEWER WITH NEW SEWER PIPING AT SIZE AS INDICATED INSTALL AND SUPPORT PIPING PER SCHEMATICS 8/P-1.01, 9/P-1.01 AND 12/P-1.01.
- 2 REPLACE EXISTING VENT WITH NEW VENT PIPING AT SIZE AS INDICATED INSTALL AND SUPPORT PIPING PER SCHEMATICS 8/P-1.01, 9/P-1.01 AND 12/P-1.01.
- 3 EXISTING SEWER AND VENT PIPING FROM STAND ALONE WC, FLOOR DRAINS, AND SHOWER ASSEMBLIES FIXTURE IS TO REMAIN AND BE RECONNECTED TO THE NEW SEWER MAIN AT WALL/FLOOR PENETRATION AS INDICATED.
- 4 EXISTING FLOOR PENETRATION TO BE FILLED IN WITH CONCRETE TO SEAL THE OPENING.
- 5 NEW MAIN SEWER RISER PIPING IS TO REPLACE THE EXISTING RISER IN THE SAME PLACE IN CHASE TO BE INSTALLED IN SAME LOCATION OF EXISTING MAIN SEWER RISER PIPING, REFER TO SCHEMATIC 8/P-1.01 FOR FLOOR PENETRATION, OFFSET SEWER RISER PER SCHEMATIC 10/P-1.01.
- 6 NEW MAIN VENT RISER PIPING IS TO REPLACE THE EXISTING RISER IN THE SAME PLACE IN CHASE TO BE INSTALLED IN SAME LOCATION OF EXISTING MAIN VENT RISER PIPING, REFER TO SCHEMATIC 8/P-1.01 FOR FLOOR PENETRATION.
- 7 NEW FLOOR DRAIN (FD-2) TO BE INSTALLED IN PLUMBING CHASE, REFER TO 11/P-1.01 FOR FURTHER INFORMATION.
- 8 NEW FLOOR CLEANOUT (FCO) TO BE INSTALLED PER SCHEMATIC 1/P-1.01.
- 9 PIPING PENETRATION WALL PER SCHEMATIC 7/P-1.01.

Project:	UPGRADE AND REPLACE THE SANITARY SEWER SYSTEM AT THE EL PASO COUNTY DETENTION FACILITY
Location:	601 E OVERLAND STREET EL PASO, TEXAS
Job Number:	ETC-2108022
Date:	11/23/2021
Scale:	AS SHOWN
Sheet	P-5.16
71 of: X	

THIS DOCUMENT, WHETHER IN HARD COPY OR MACHINE READABLE FORMAT, IS COPYRIGHTED AND AN INSTRUMENT OF SERVICES IN RESPECT TO THE PROJECT FOR WHICH IT WAS PREPARED. THIS DOCUMENT IS NOT INTENDED OR AUTHORIZED FOR REUSE BY ANY PARTY ON EXTENSIONS OF SUCH PROJECT OR ANY OTHER PROJECT. ANY REUSE, INCLUDING COPYING AND/OR MODIFYING THE DOCUMENT, WITHOUT WRITTEN PERMISSION FROM EMC ENGINEERS FOR THE SPECIFIC PURPOSE INTENDED IS A VIOLATION OF FEDERAL COPYRIGHT LAW. UNAUTHORIZED USE OF THIS MATERIAL MAY RESULT IN CIVIL AND/OR CRIMINAL PENALTIES.
COPY RIGHT 2013 EMC ENGINEERS.

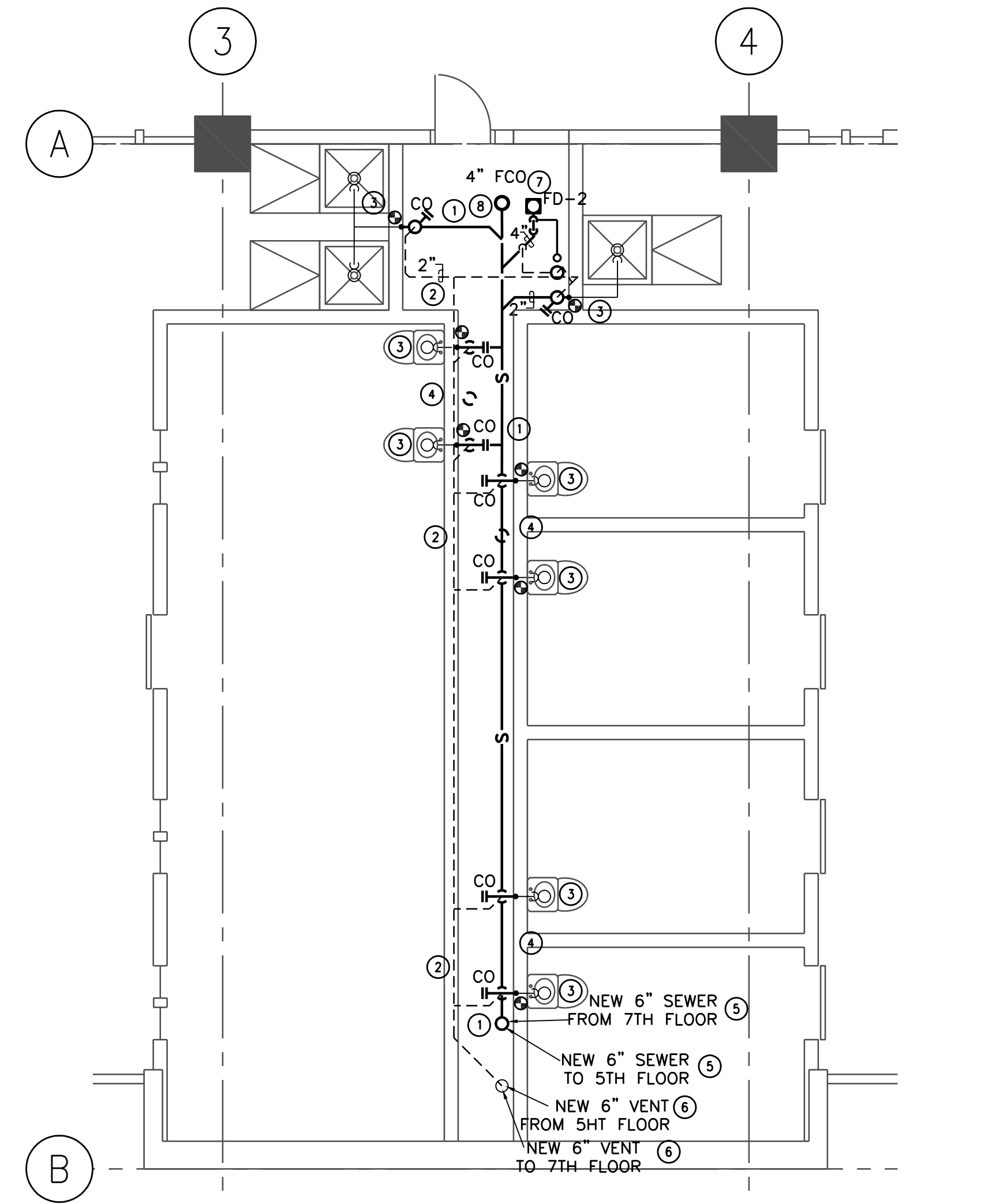


THE SEAL APPEARING ON THIS DOCUMENT WAS AUTHORIZED BY MELVIN G. GLASS, P.E. #64935 OF EMC ENGINEERS (TEXAS TIRM REG. #2491) ON JANUARY 28, 2022. ANY ALTERATION OF A SEALED DOCUMENT WITHOUT PROPER NOTIFICATION TO THE RESPONSIBLE ENGINEER IS AN OFFENSE UNDER THE TEXAS ENGINEERING PRACTICE ACT.



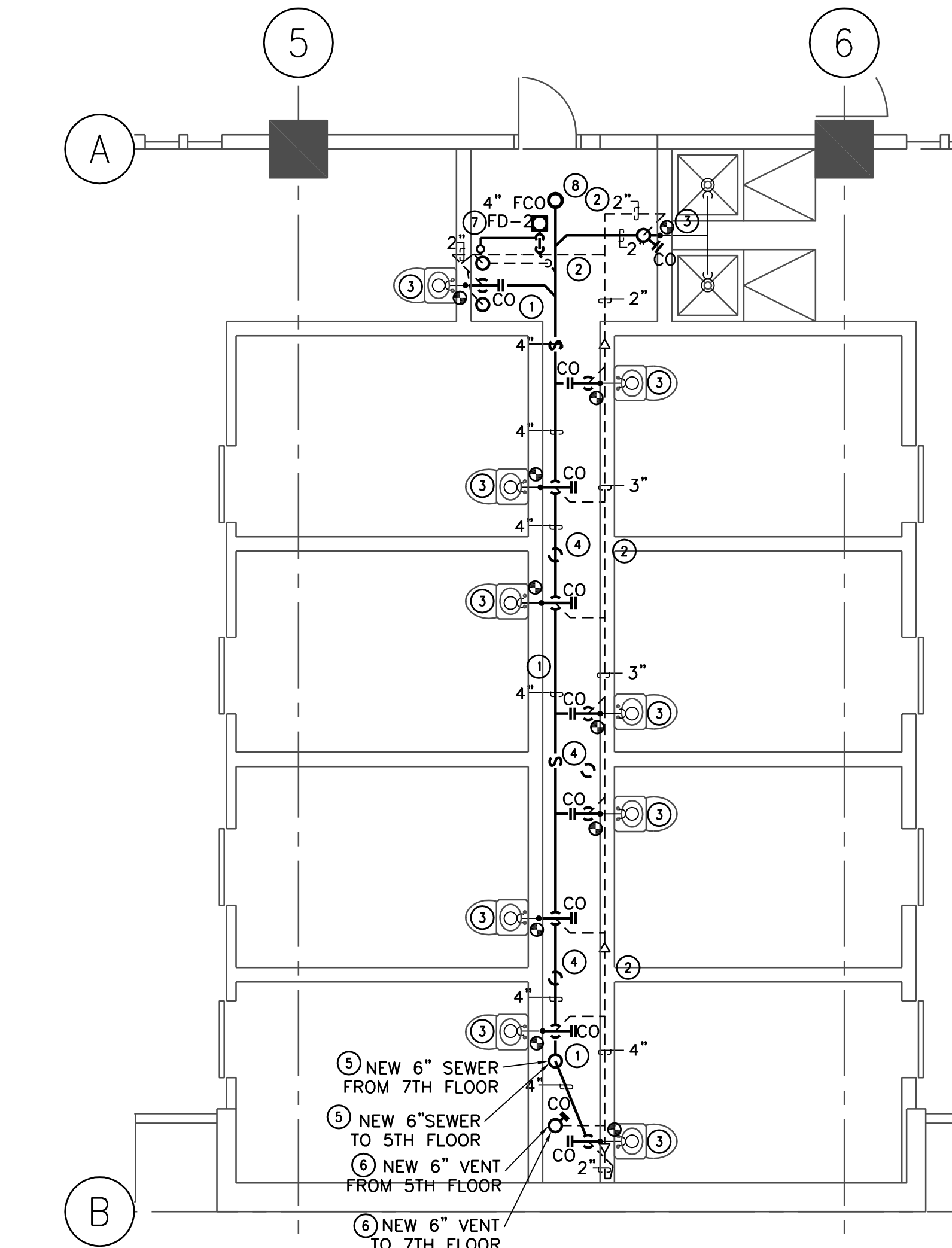
SIXTH FLOOR ENLARGED REMODEL PLUMBING SEWER WASTE AND VENT PIPING FLOOR PLAN

1
P-517
SCALE: 1/4" = 1'-0"
REFER TO DEMOLITION PLAN VP-308



SIXTH FLOOR ENLARGED REMODEL PLUMBING SEWER WASTE AND VENT PIPING FLOOR PLAN

2
P-517
SCALE: 1/4" = 1'-0"
REFER TO DEMOLITION PLAN 2/P-308



SIXTH FLOOR ENLARGED REMODEL PLUMBING SEWER WASTE AND VENT PIPING FLOOR PLAN

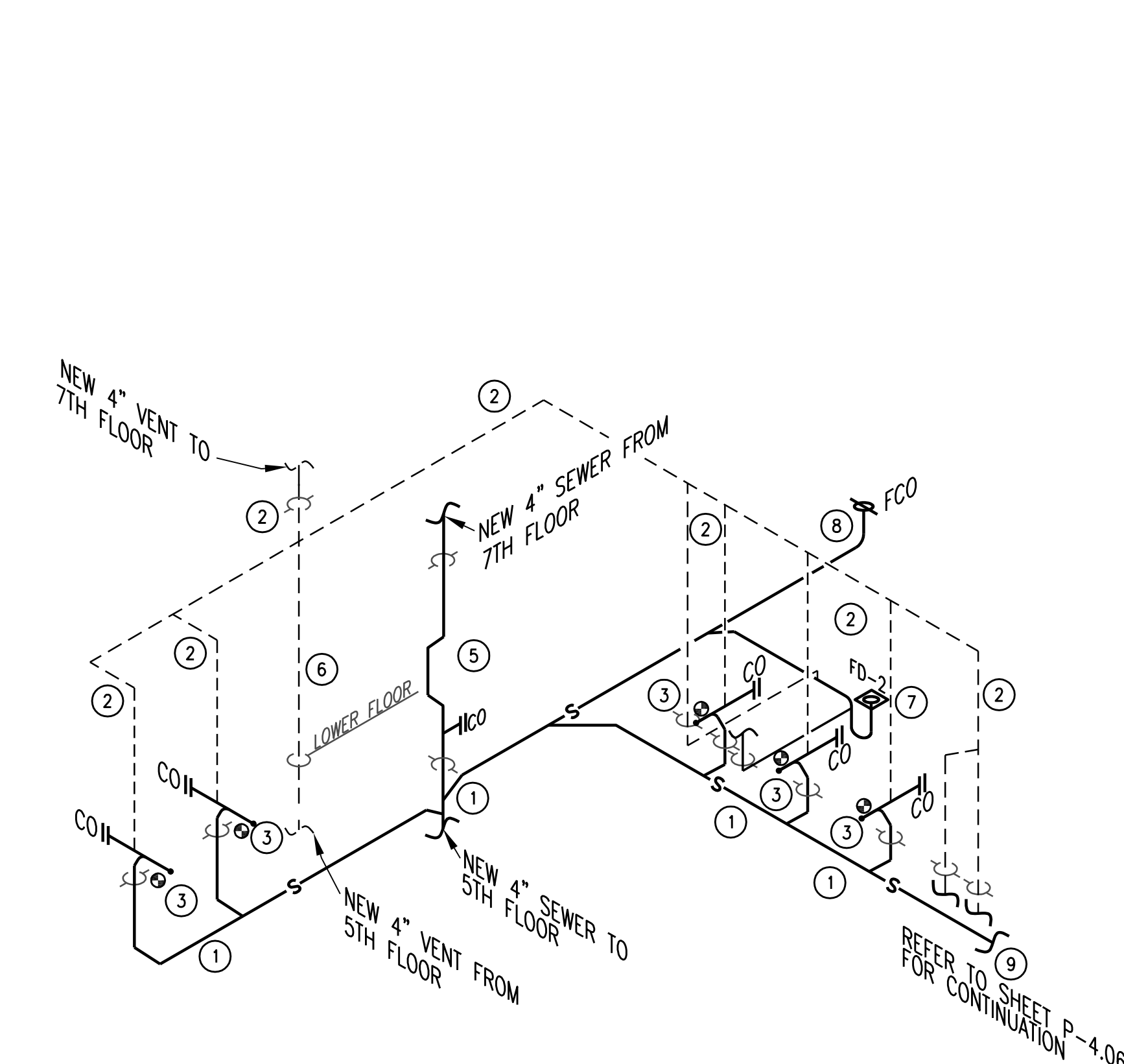
3
P-517
SCALE: 1/4" = 1'-0"
REFER TO DEMOLITION PLAN 3/P-308

REMODEL PLUMBING GENERAL NOTES:

- 1 THE INTENT IS TO REMODEL REPLACEMENT OF THE SEWER AND VENTING SYSTEMS FOR THE FACILITY. THIS FACILITY IS A 24/7 SECURED OPERATION FACILITY, SO THE CONTRACTOR SHALL COORDINATE ALL DEMOLITION AND REMODEL WORK WITH THE DETENTION PERSONNEL.
- 2 SOME PLUMBING CHASES CONTAIN MECHANICAL DUCTWORK, THE CONTRACTOR SHALL COORDINATE THE INSTALLATION OF NEW SEWER AND VENT PIPING WITH THIS DUCTWORK.

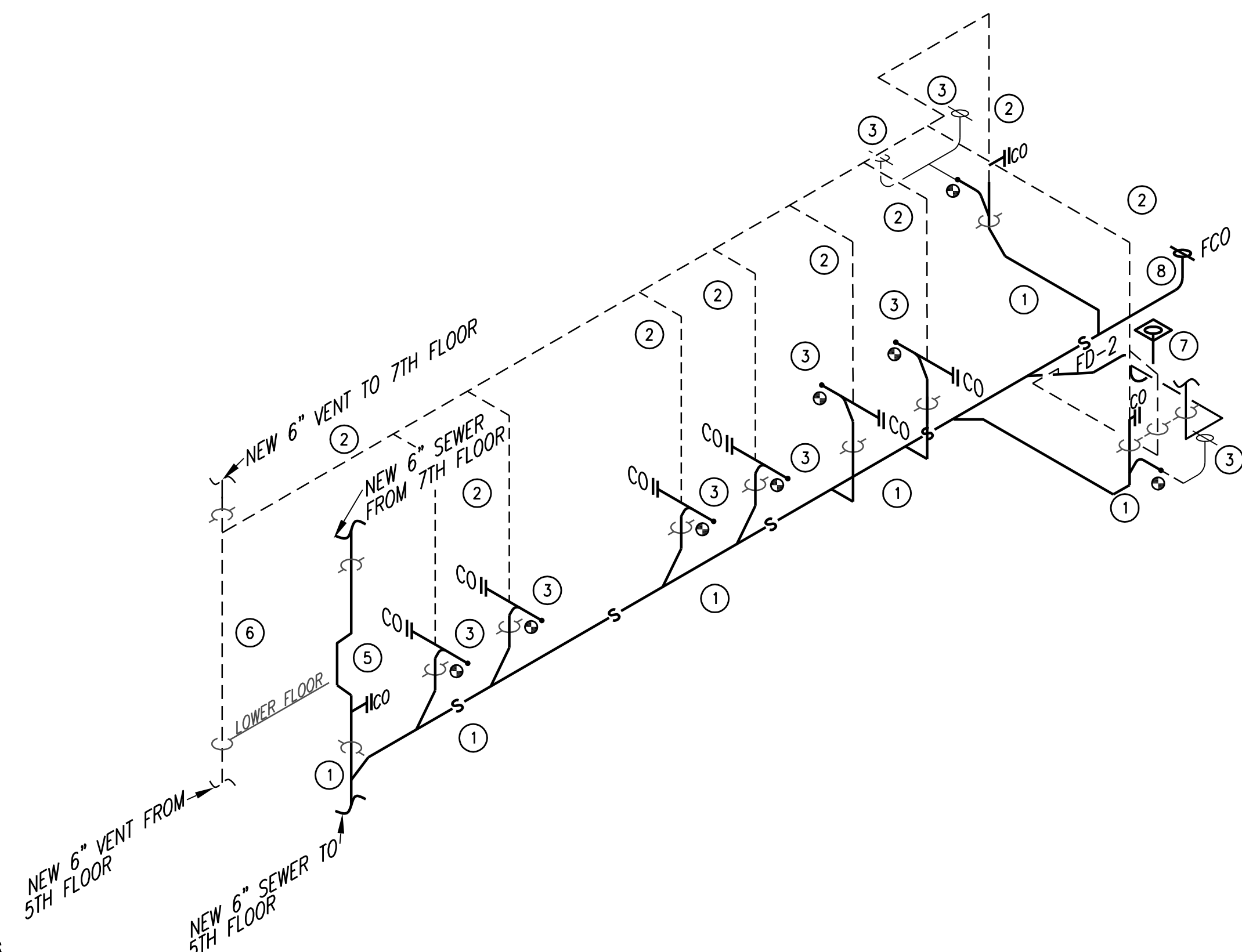
REMODEL PLUMBING KEYED NOTES:

- 1 REPLACE EXISTING SEWER WITH NEW SEWER PIPING AT SIZE AS INDICATED INSTALL AND SUPPORT PIPING PER SCHEMATICS 8/P1.01, 9/P-1.01 AND 12/P-1.01.
- 2 REPLACE EXISTING VENT WITH NEW VENT PIPING AT SIZE AS INDICATED INSTALL AND SUPPORT PIPING PER SCHEMATICS 8/P1.01, 9/P-1.01 AND 12/P-1.01.
- 3 EXISTING SEWER AND VENT PIPING FROM STAND ALONE WC, FLOOR DRAINS, AND SHOWER ASSEMBLIES FIXTURE IS TO REMAIN AND BE RECONNECTED TO THE NEW SEWER MAIN AT WALL/FLOOR PENETRATION AS INDICATED.
- 4 EXISTING FLOOR PENETRATION TO BE FILLED IN WITH CONCRETE TO SEAL THE OPENING.
- 5 NEW MAIN SEWER RISER PIPING IS TO REPLACE THE EXISTING RISER IN THE SAME PLACE IN CHASE TO BE INSTALLED IN SAME LOCATION OF EXISTING MAIN SEWER RISER PIPING, REFER TO SCHEMATIC 8/P-1.01 FOR FLOOR PENETRATION, OFFSET SEWER RISER PER SCHEMATIC 10/P-1.01.
- 6 NEW MAIN VENT RISER PIPING IS TO REPLACE THE EXISTING RISER IN THE SAME PLACE IN CHASE TO BE INSTALLED IN SAME LOCATION OF EXISTING MAIN VENT RISER PIPING, REFER TO SCHEMATIC 8/P-1.01 FOR FLOOR PENETRATION.
- 7 NEW FLOOR DRAIN (FD-2) TO BE INSTALLED IN PLUMBING CHASE, REFER TO 11/P-1.01 FOR FURTHER INFORMATION.
- 8 NEW FLOOR CLEANOUT (FCO) TO BE INSTALLED PER SCHEMATIC 1/P-1.01.
- 9 PIPING PENETRATION WALL PER SCHEMATIC 7/P1.01.



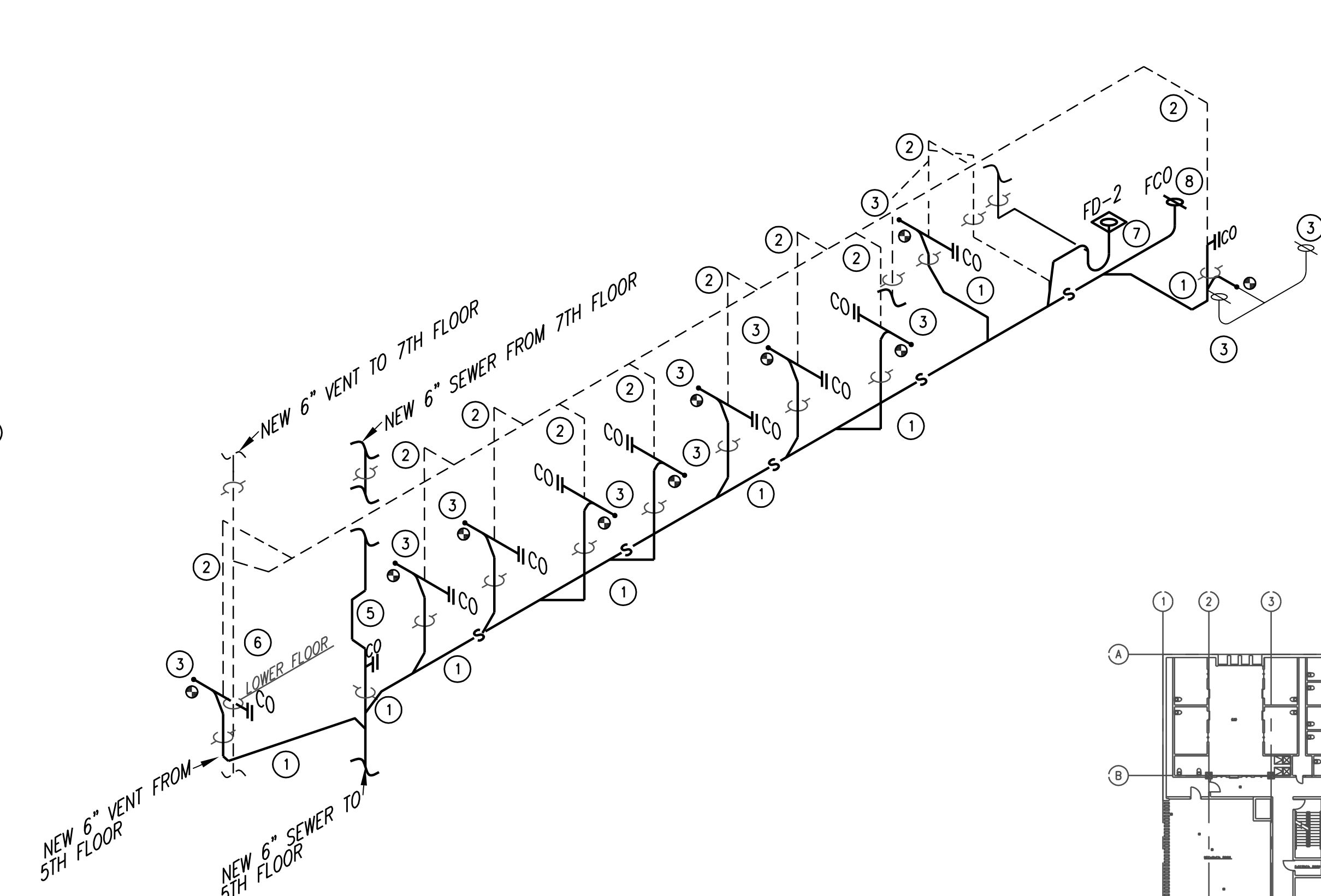
SEWER WASTE AND VENT PIPING ISOMETRIC

4
P-517
SCALE: NONE
REFER TO VP-517 FOR FLOOR PLAN



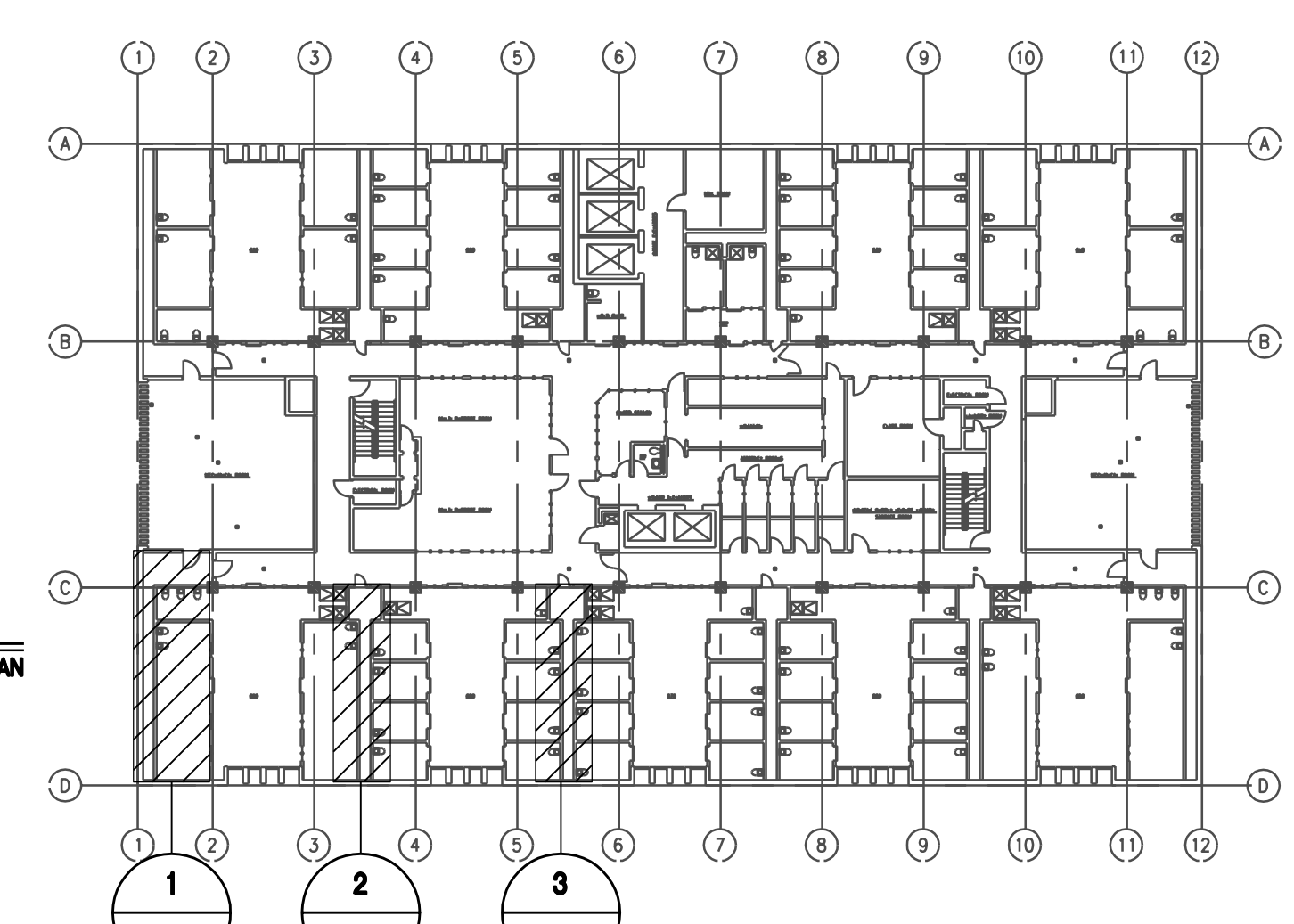
SEWER WASTE AND VENT PIPING ISOMETRIC

5
P-517
SCALE: NONE
REFER TO 2/P-517 FOR FLOOR PLAN



SEWER WASTE AND VENT PIPING ISOMETRIC

6
P-517
SCALE: NONE
REFER TO 3/P-517 FOR FLOOR PLAN



SIXTH FLOOR KEY PLAN

SCALE: NONE

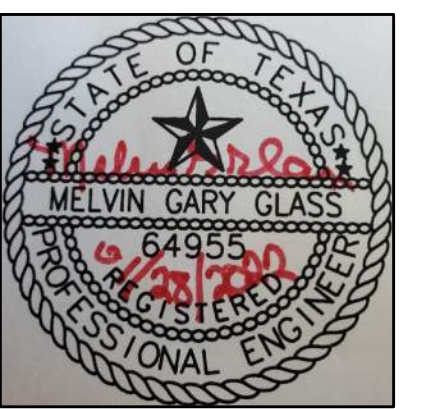
THIS DOCUMENT, WHETHER IN HARD COPY OR MACHINE READABLE FORMAT, IS COPYRIGHTED AND AN INSTRUMENT OF SERVICES IN RESPECT TO THE PROJECT FOR WHICH IT WAS PREPARED. THIS DOCUMENT IS NOT INTENDED OR AUTHORIZED FOR REUSE BY ANY PARTY ON EXTENSIONS OF SUCH PROJECT OR ANY OTHER PROJECT. ANY REUSE, INCLUDING COPYING AND/OR MODIFYING THE DOCUMENT, WITHOUT WRITTEN PERMISSION FROM EMC ENGINEERS FOR THE SPECIFIC PURPOSE INTENDED IS A VIOLATION OF FEDERAL COPYRIGHT LAW. UNAUTHORIZED USE OF THIS MATERIAL MAY RESULT IN CIVIL AND/OR CRIMINAL PENALTIES.
COPY RIGHT 2013 EMC ENGINEERS.

Project:	UPGRADE AND REPLACE THE SANITARY SEWER SYSTEM AT THE EL PASO COUNTY DETENTION FACILITY
Location:	601 E OVERLAND STREET EL PASO, TEXAS
Job Number:	ETC-2108022
Date:	11/23/2021
Scale:	AS SHOWN
Sheet:	P-5.17
72 of: X	

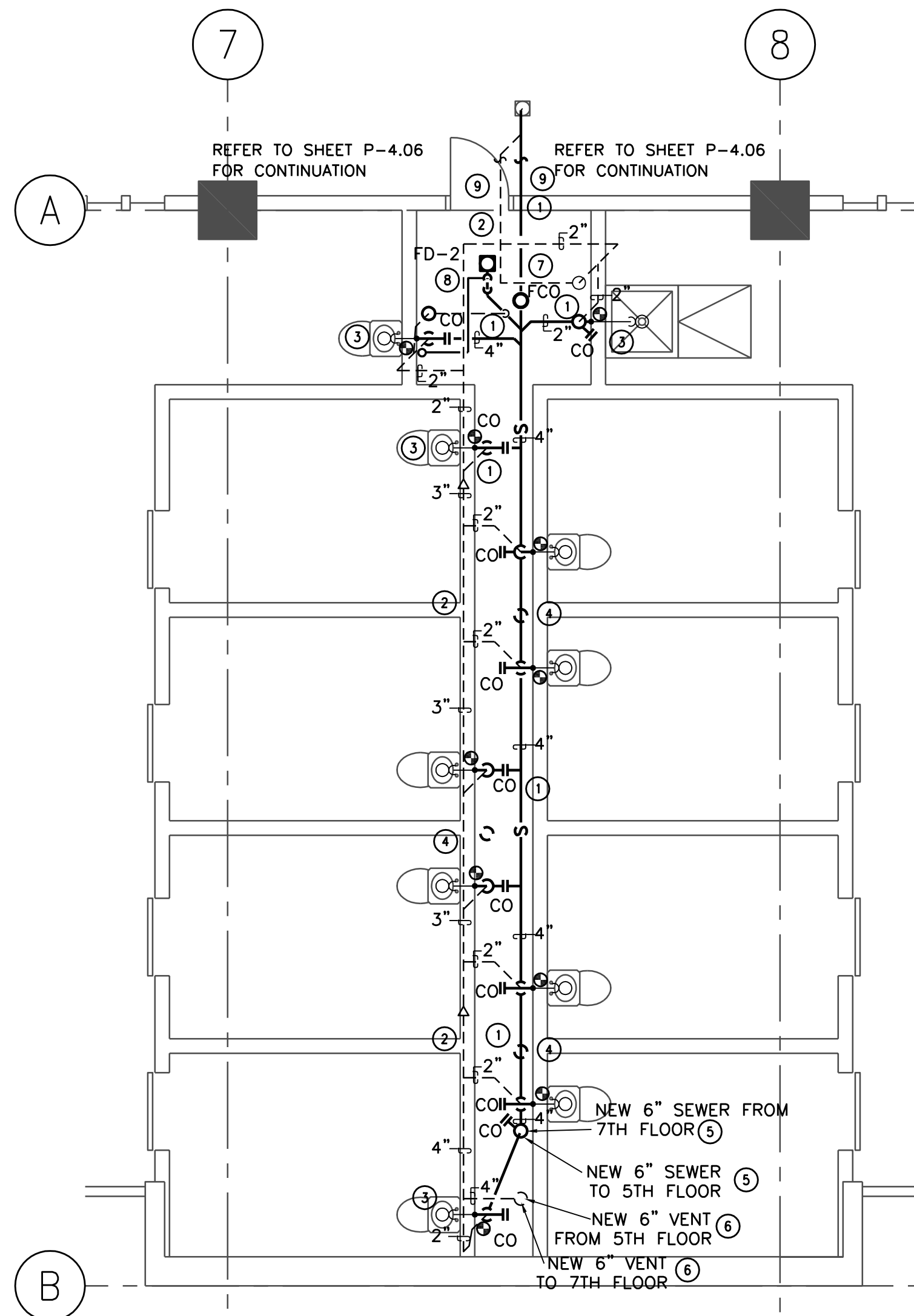
Rev.#	Date	Initial	Description
1			ETC
2			ETC
3			ETC

EMC ENGINEERS
2311 E. MIDLAND AVENUE, SUITE 200
EL PASO, TEXAS 79906
TEL: 915-781-2000
FAX: 915-781-2001
WWW.EMCENGINEERS.COM
EMC PROJECT #2108022



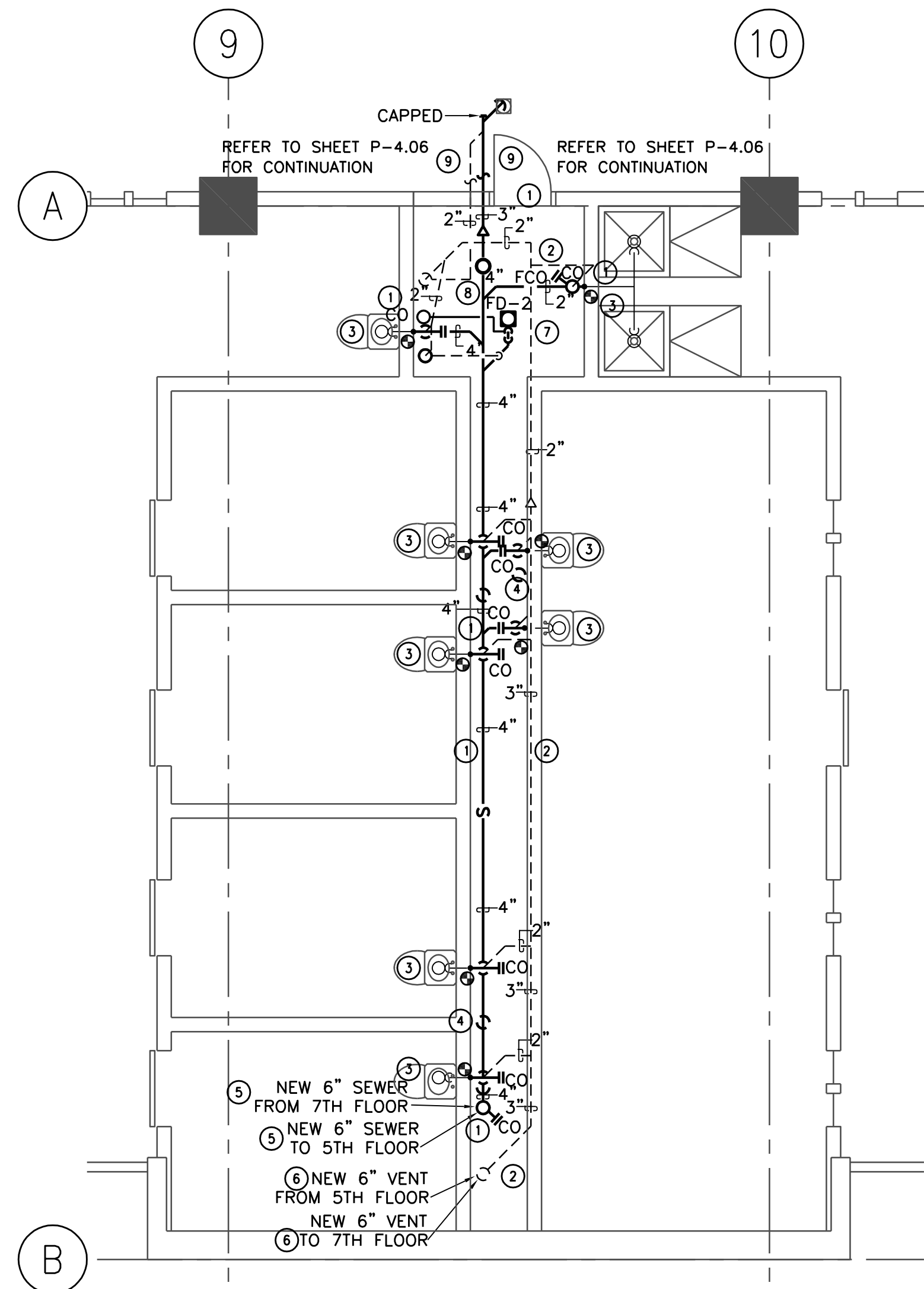


THE SEAL APPEARING ON THIS DOCUMENT WAS AUTHORIZED BY MELVIN G. GLASS, P.E. #64935 OF EMC ENGINEERS (TEAM FIRM REG. #22491) ON JANUARY 28, 2022. ANY ALTERATION OF A SEALED DOCUMENT WITHOUT PROPER NOTIFICATION TO THE RESPONSIBLE ENGINEER IS AN OFFENSE UNDER THE TEXAS ENGINEERING PRACTICE ACT.



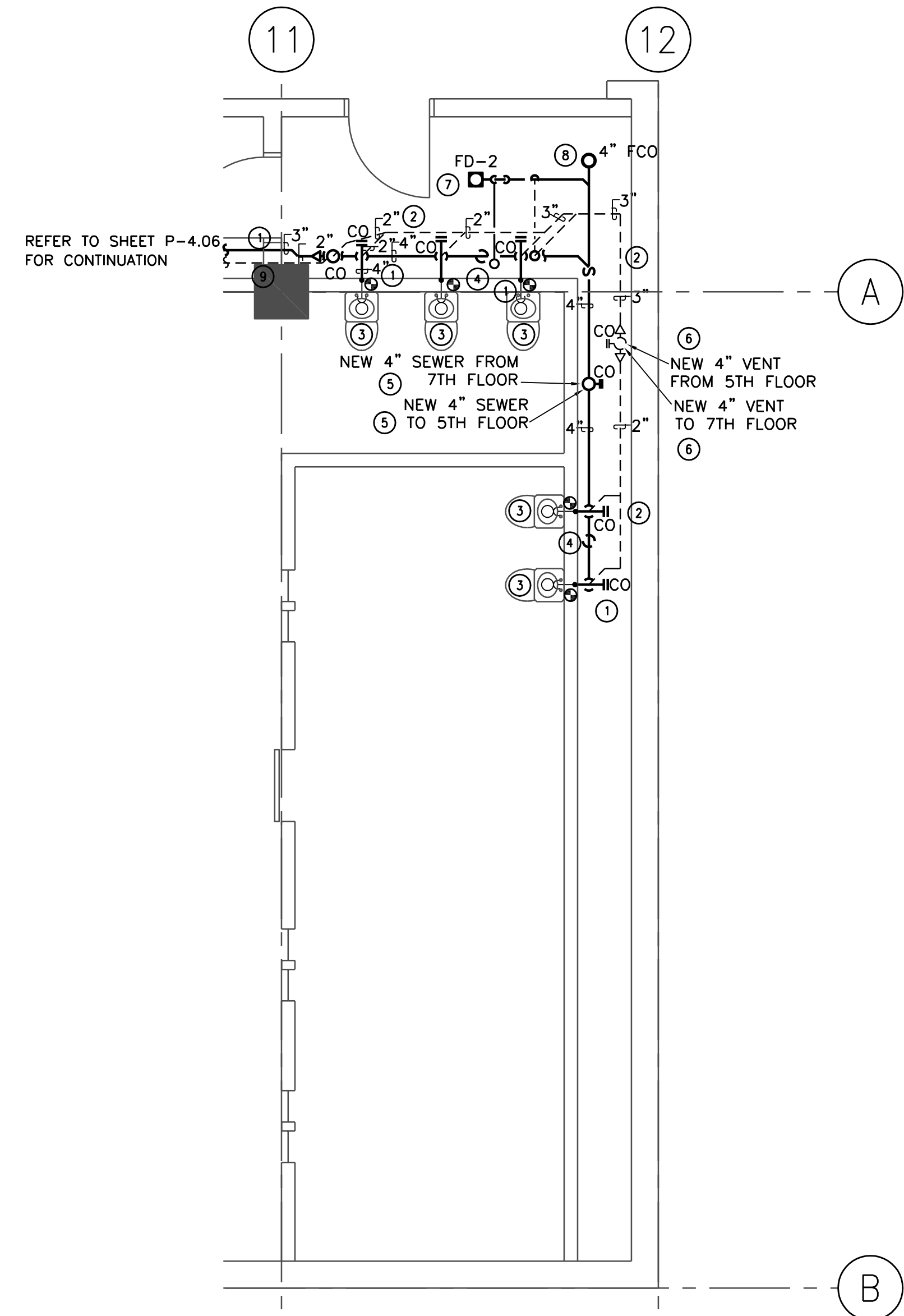
SIXTH FLOOR ENLARGED REMODEL PLUMBING SEWER WASTE AND VENT PIPING FLOOR PLAN

1 P-5.18 SCALE 1/4" = 1'-0" REFER TO DEMOLITION PLAN 4/P-3.08



SIXTH FLOOR ENLARGED REMODEL PLUMBING SEWER WASTE AND VENT PIPING FLOOR PLAN

2 P-5.18 SCALE 1/4" = 1'-0" REFER TO DEMOLITION PLAN 5/P-3.08



SIXTH FLOOR ENLARGED REMODEL PLUMBING SEWER WASTE AND VENT PIPING FLOOR PLAN

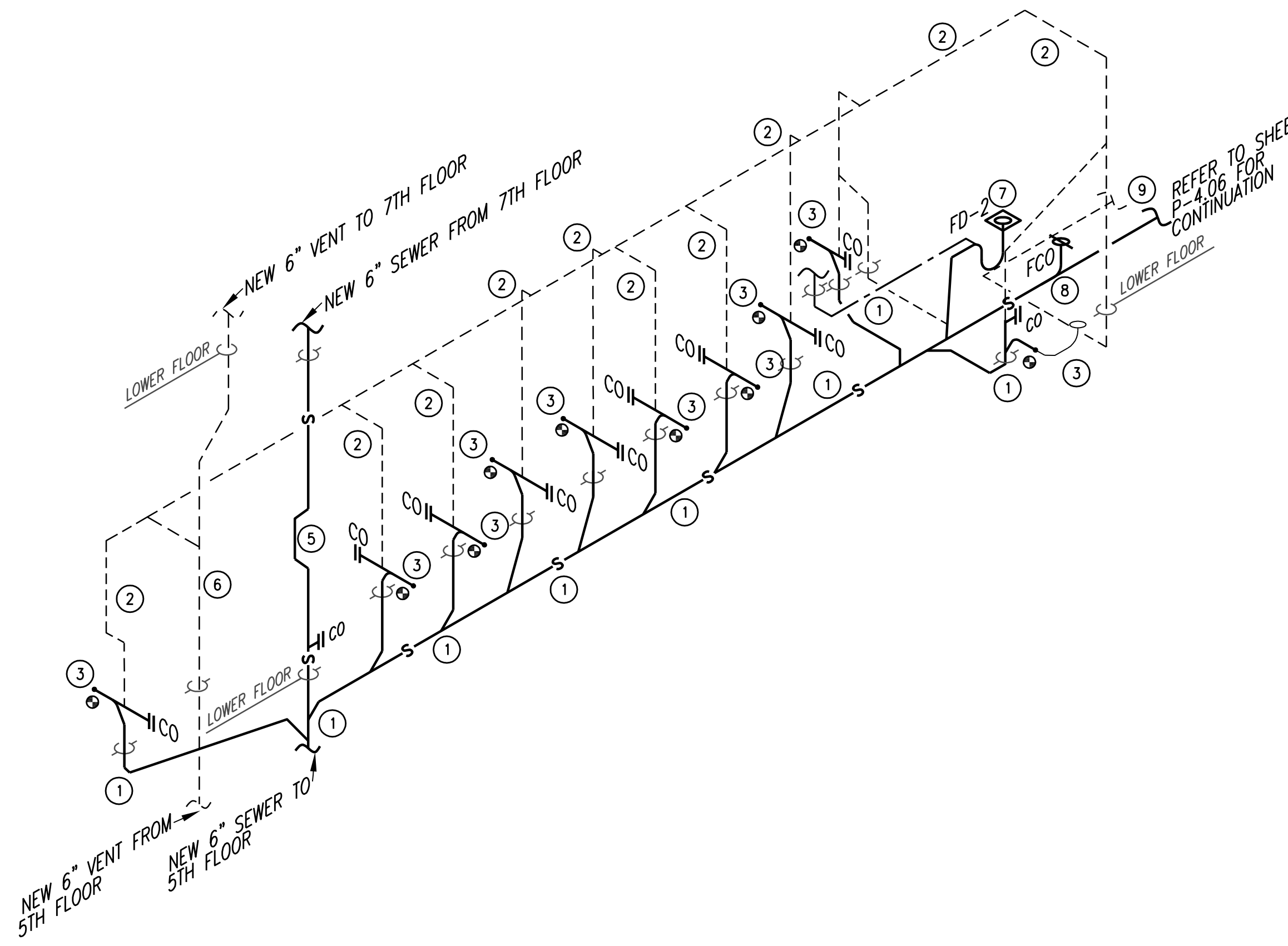
3 P-5.18 SCALE 1/4" = 1'-0" REFER TO DEMOLITION PLAN 6/P-3.08

REMODEL PLUMBING GENERAL NOTES:

- 1 THE INTENT IS TO REMODEL REPLACEMENT OF THE SEWER AND VENTING SYSTEMS FOR THE FACILITY. THIS FACILITY IS A 24/7 SECURED OPERATION FACILITY, SO THE CONTRACTOR SHALL COORDINATE ALL DEMOLITION AND REMODEL WORK WITH THE DETENTION PERSONNEL.
- 2 SOME PLUMBING CHASES CONTAIN MECHANICAL DUCTWORK, THE CONTRACTOR SHALL COORDINATE THE INSTALLATION OF NEW SEWER AND VENT PIPING WITH THIS DUCTWORK.

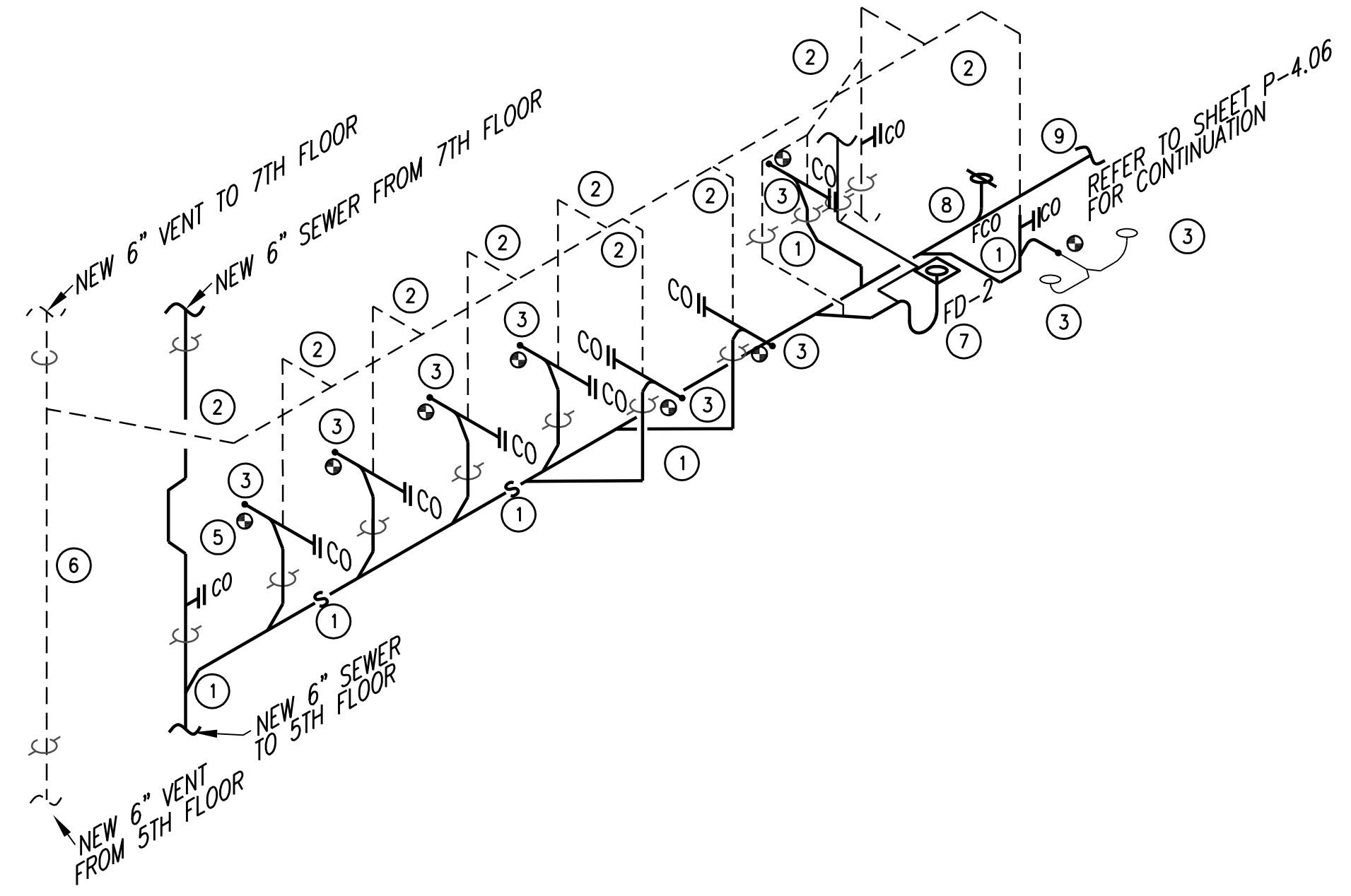
REMODEL PLUMBING KEYED NOTES:

- 1 REPLACE EXISTING SEWER WITH NEW SEWER PIPING AT SIZE AS INDICATED. INSTALL AND SUPPORT PIPING PER SCHEMATICS 8/P-1.01, 9/P-1.01 AND 12/P-1.01.
- 2 REPLACE EXISTING VENT WITH NEW VENT PIPING AT SIZE AS INDICATED. INSTALL AND SUPPORT PIPING PER SCHEMATICS 8/P-1.01, 9/P-1.01 AND 12/P-1.01.
- 3 EXISTING SEWER AND VENT PIPING FROM STAND ALONE WC, FLOOR DRAINS, AND SHOWER ASSEMBLIES FIXTURE IS TO REMAIN AND BE RECONNECTED TO THE NEW SEWER MAIN AT WALL/FLOOR PENETRATION AS INDICATED.
- 4 EXISTING FLOOR PENETRATION TO BE FILLED IN WITH CONCRETE TO SEAL THE OPENING.
- 5 NEW MAIN SEWER RISER PIPING IS TO REPLACE THE EXISTING RISER IN THE SAME PLACE IN CHASE TO BE INSTALLED IN SAME LOCATION OF EXISTING MAIN SEWER RISER PIPING, REFER TO SCHEMATIC 8/P-1.01 FOR FLOOR PENETRATION, OFFSET SEWER RISER PER SCHEMATIC 10/P-1.01.
- 6 NEW MAIN VENT RISER PIPING IS TO REPLACE THE EXISTING RISER IN THE SAME PLACE IN CHASE TO BE INSTALLED IN SAME LOCATION OF EXISTING MAIN VENT RISER PIPING, REFER TO SCHEMATIC 8/P-1.01 FOR FLOOR PENETRATION.
- 7 NEW FLOOR DRAIN (FD-2) TO BE INSTALLED IN PLUMBING CHASE, REFER TO 11/P-1.01 FOR FURTHER INFORMATION.
- 8 NEW FLOOR CLEANOUT (FCO) TO BE INSTALLED PER SCHEMATIC 1/P-1.01.
- 9 PIPING PENETRATION WALL PER SCHEMATIC 7/P-1.01.



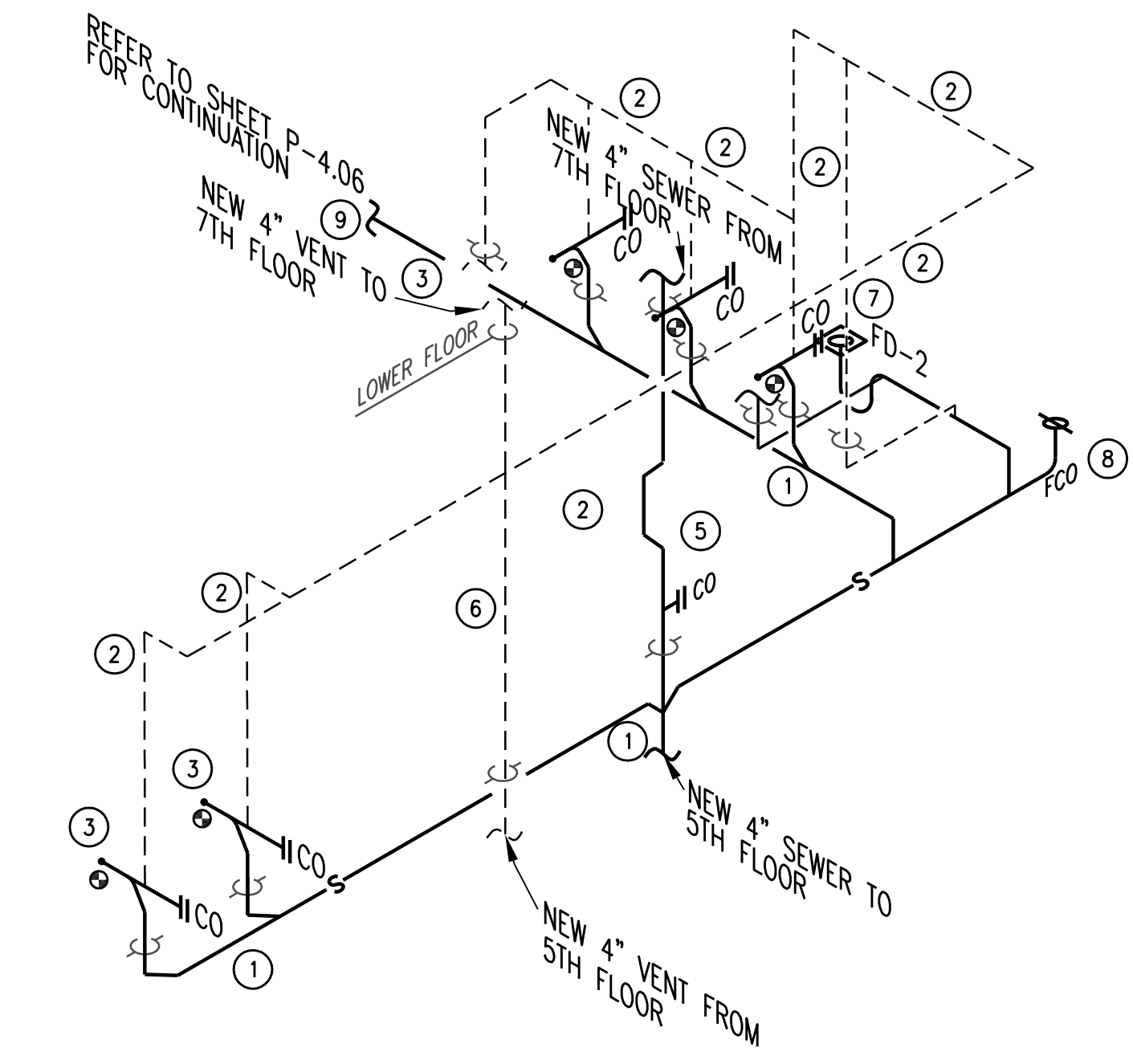
SEWER WASTE AND VENT PIPING ISOMETRIC

4 P-5.18 SCALE: NONE REFER TO 1/P-5.18 FOR FLOOR PLAN



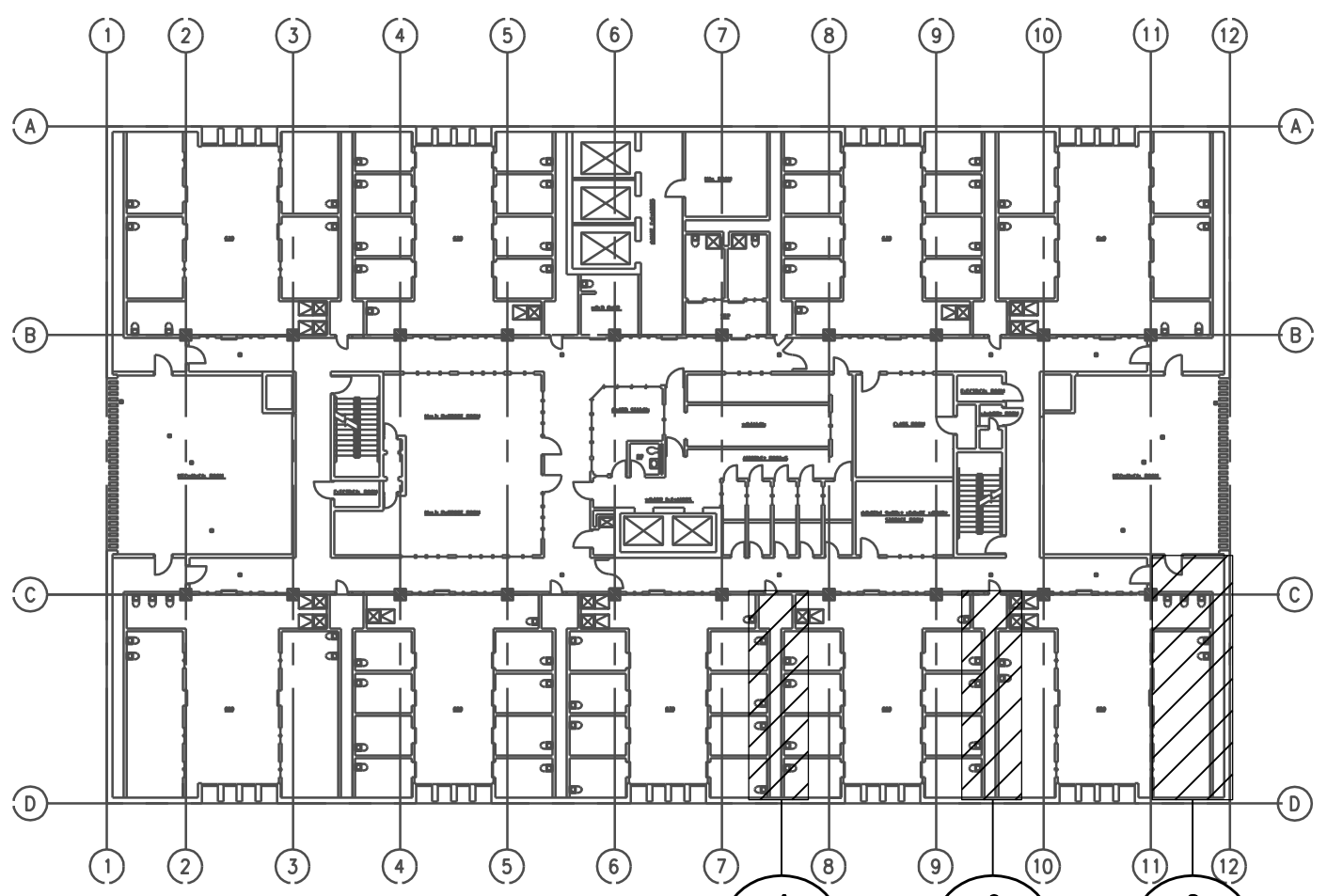
SEWER WASTE AND VENT PIPING ISOMETRIC

5 P-5.18 SCALE: NONE REFER TO 2/P-5.18 FOR FLOOR PLAN



SEWER WASTE AND VENT PIPING ISOMETRIC

6 P-5.18 SCALE: NONE REFER TO 3/P-5.18 FOR FLOOR PLAN



SIXTH FLOOR KEY PLAN

SCALE: NONE

THIS DOCUMENT, WHETHER IN HARD COPY OR MACHINE READABLE FORMAT, IS COPYRIGHTED AND AN INSTRUMENT OF SERVICES IN RESPECT TO THE PROJECT FOR WHICH IT WAS PREPARED. THIS DOCUMENT IS NOT INTENDED OR AUTHORIZED FOR REUSE BY ANY PARTY ON EXTENSIONS OF SUCH PROJECT OR ANY OTHER PROJECT. ANY REUSE, INCLUDING COPYING AND/OR MODIFYING THE DOCUMENT, WITHOUT WRITTEN PERMISSION FROM EMC ENGINEERS FOR THE SPECIFIC PURPOSE INTENDED IS A VIOLATION OF FEDERAL COPYRIGHT LAW. UNAUTHORIZED USE OF THIS MATERIAL MAY RESULT IN CIVIL AND/OR CRIMINAL PENALTIES.

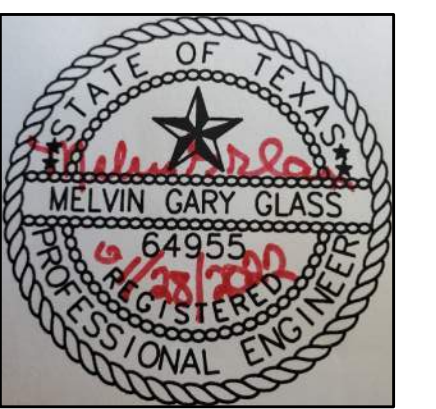
COPY RIGHT 2013 EMC ENGINEERS.

Project:	UPGRADE AND REPLACE THE SANITARY SEWER SYSTEM AT THE EL PASO COUNTY DETENTION FACILITY
Location:	601 E OVERLAND STREET EL PASO, TEXAS
Job Number:	ETC-2108022
Date:	11/23/2021
Scale:	AS SHOWN
Sheet:	P-5.18
73 of: X	

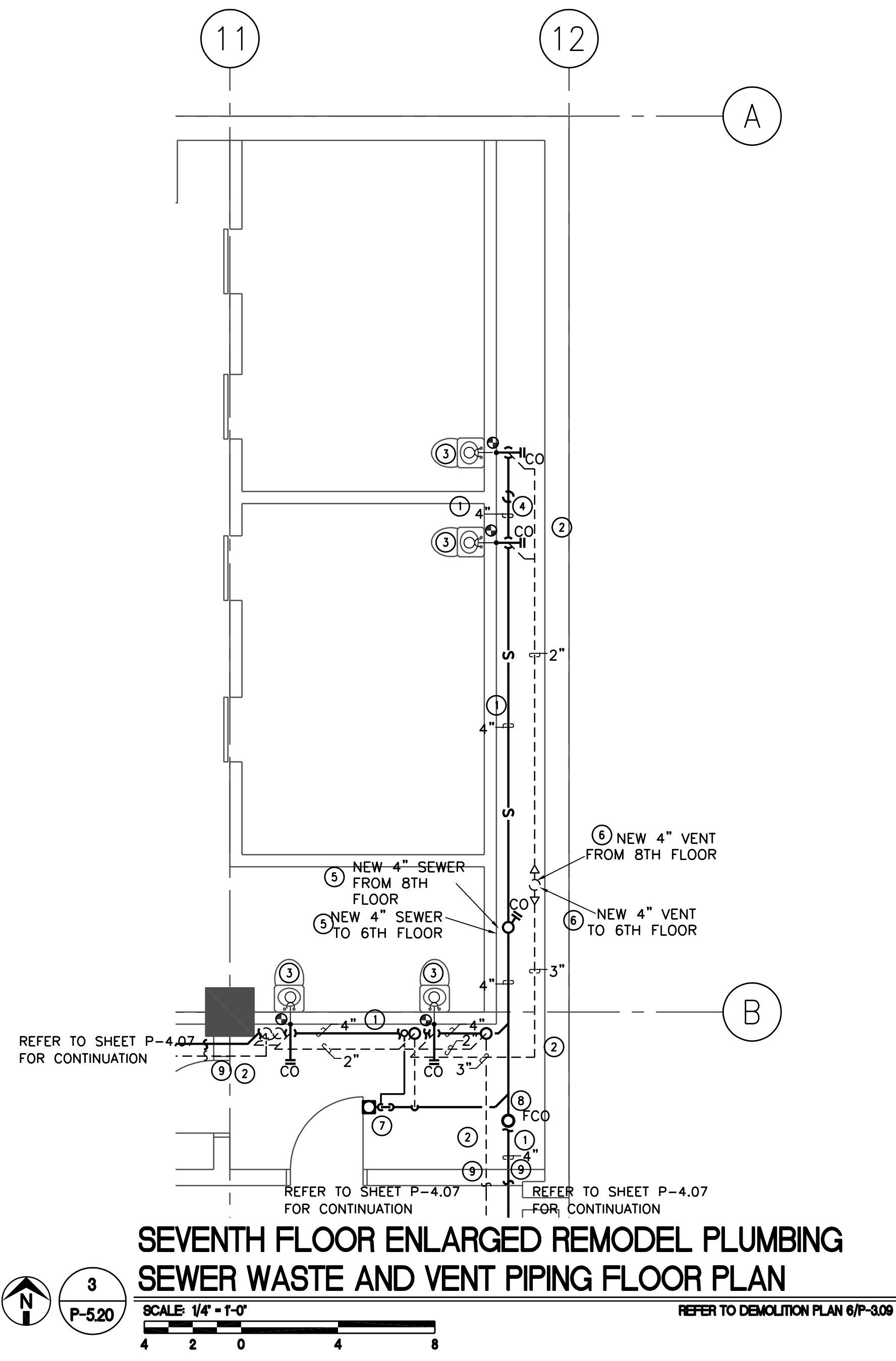
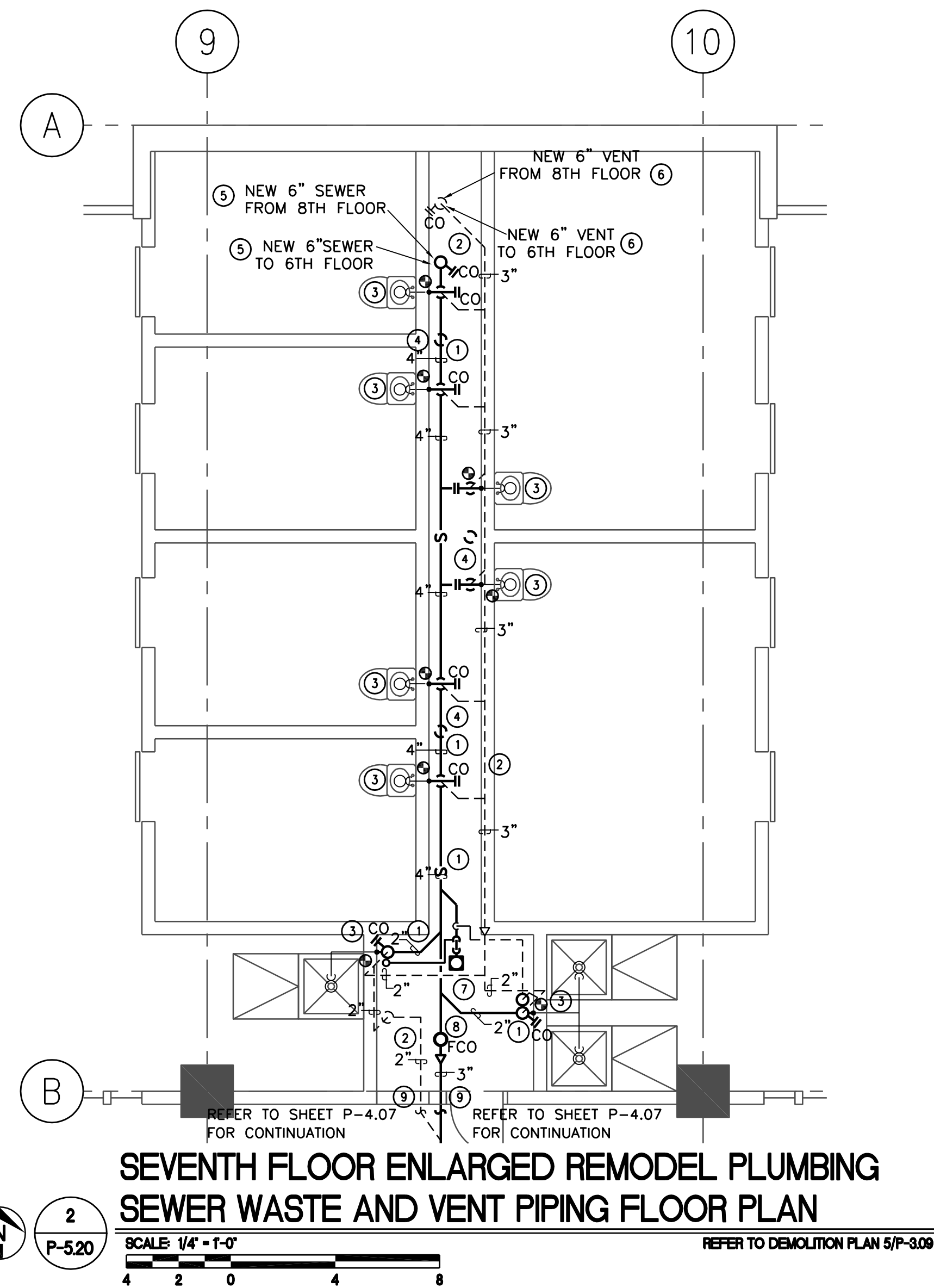
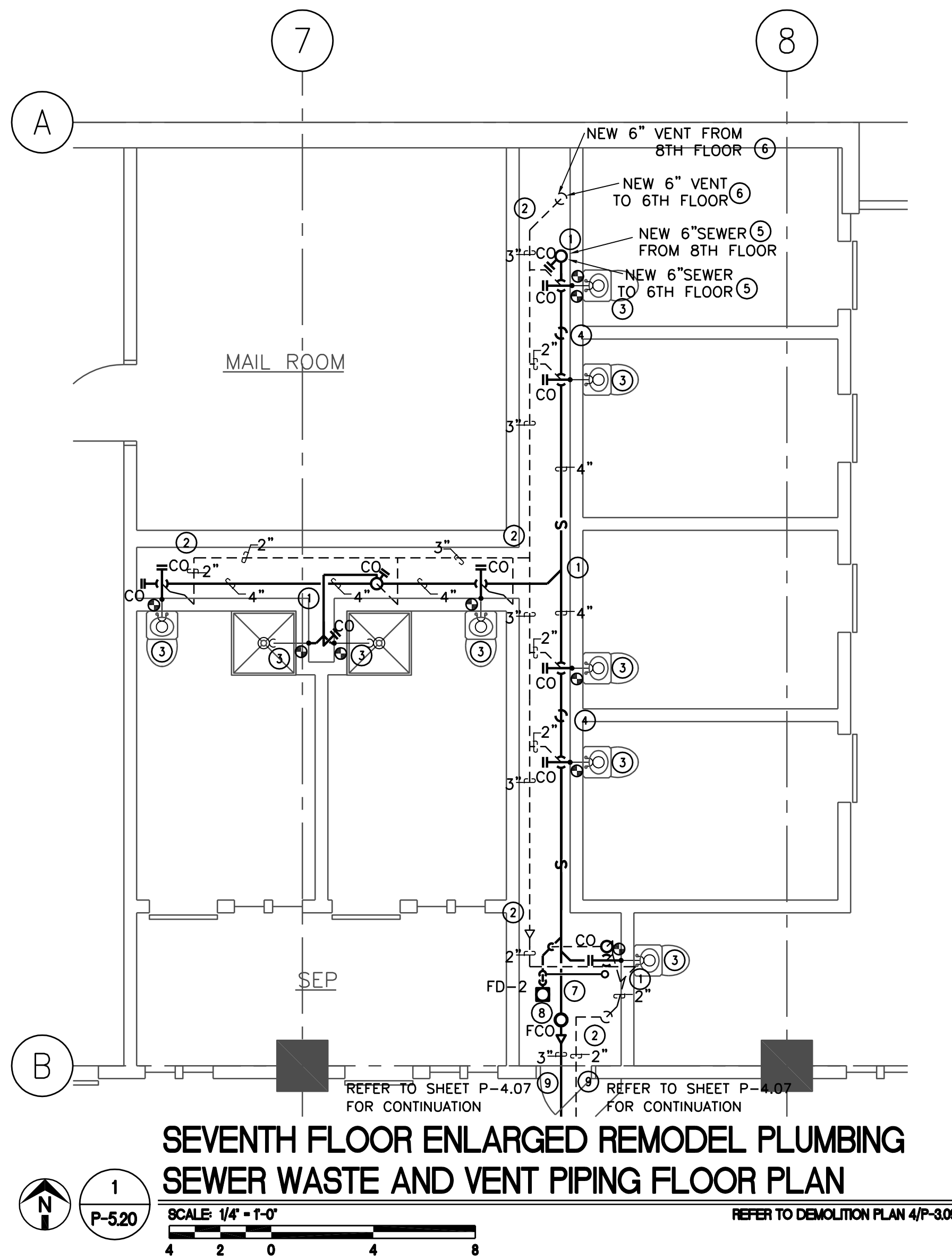
Rev.#	Date	Initial	Description
1			ETC
2			ETC
3			ETC

EMC ENGINEERS
2311 E. BUSINESS AVENUE, SUITE 100
EL PASO, TEXAS 79901
TEL: 915-781-2030
FAX: 915-781-2035
WWW.EMCENGINEERS.COM
EMC PROJECT #2108022





THE SEAL APPEARING ON THIS DOCUMENT WAS AUTHORIZED BY MELVIN G. GLASS, P.E. #64935 OF EMC ENGINEERS (TEXAS FIRM REG. #24911) ON JANUARY 28, 2022. ANY ALTERATION OF A SEALED DOCUMENT WITHOUT PROPER NOTIFICATION TO THE RESPONSIBLE ENGINEER IS AN OFFENSE UNDER THE TEXAS ENGINEERING PRACTICE ACT.

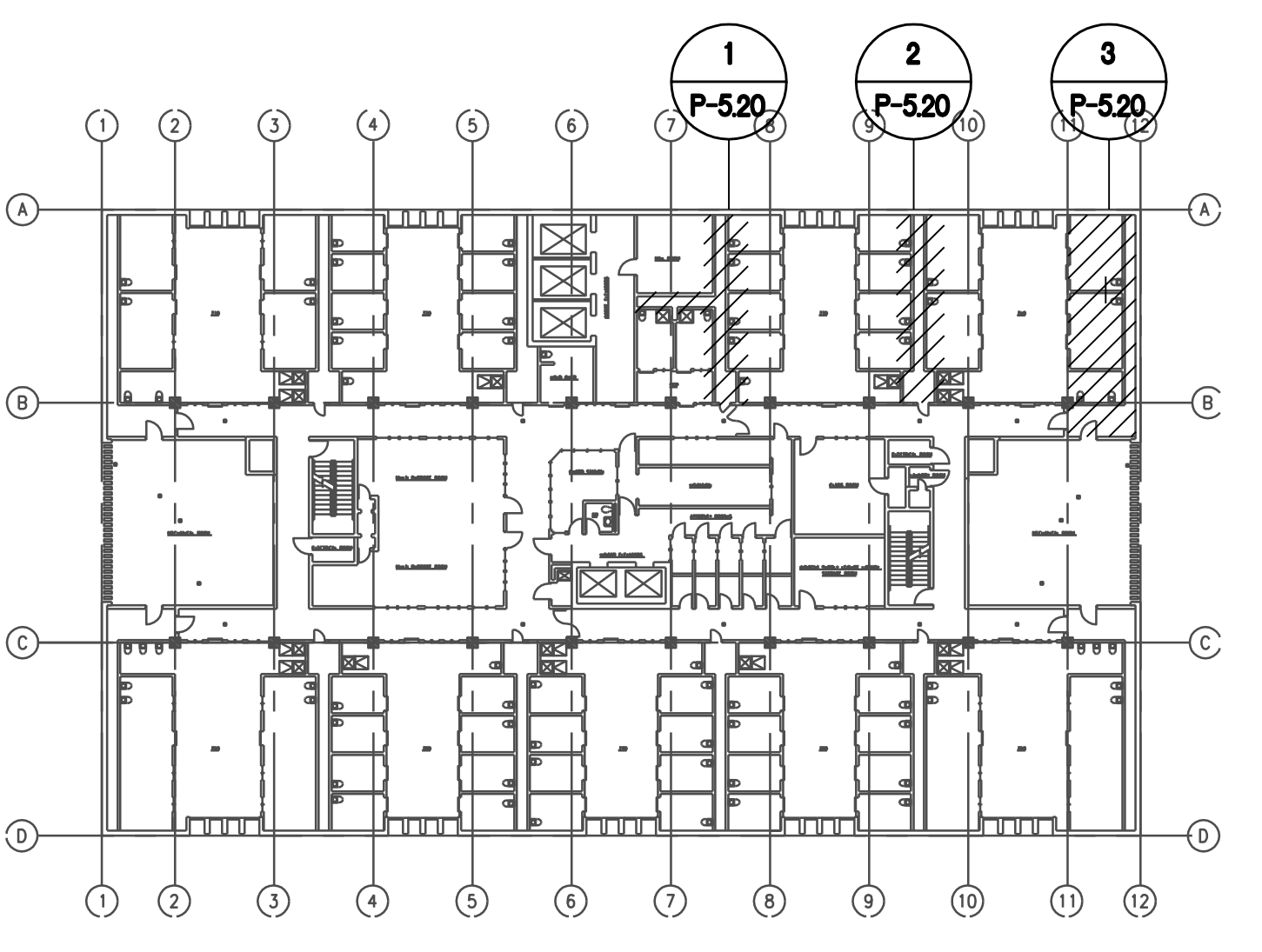
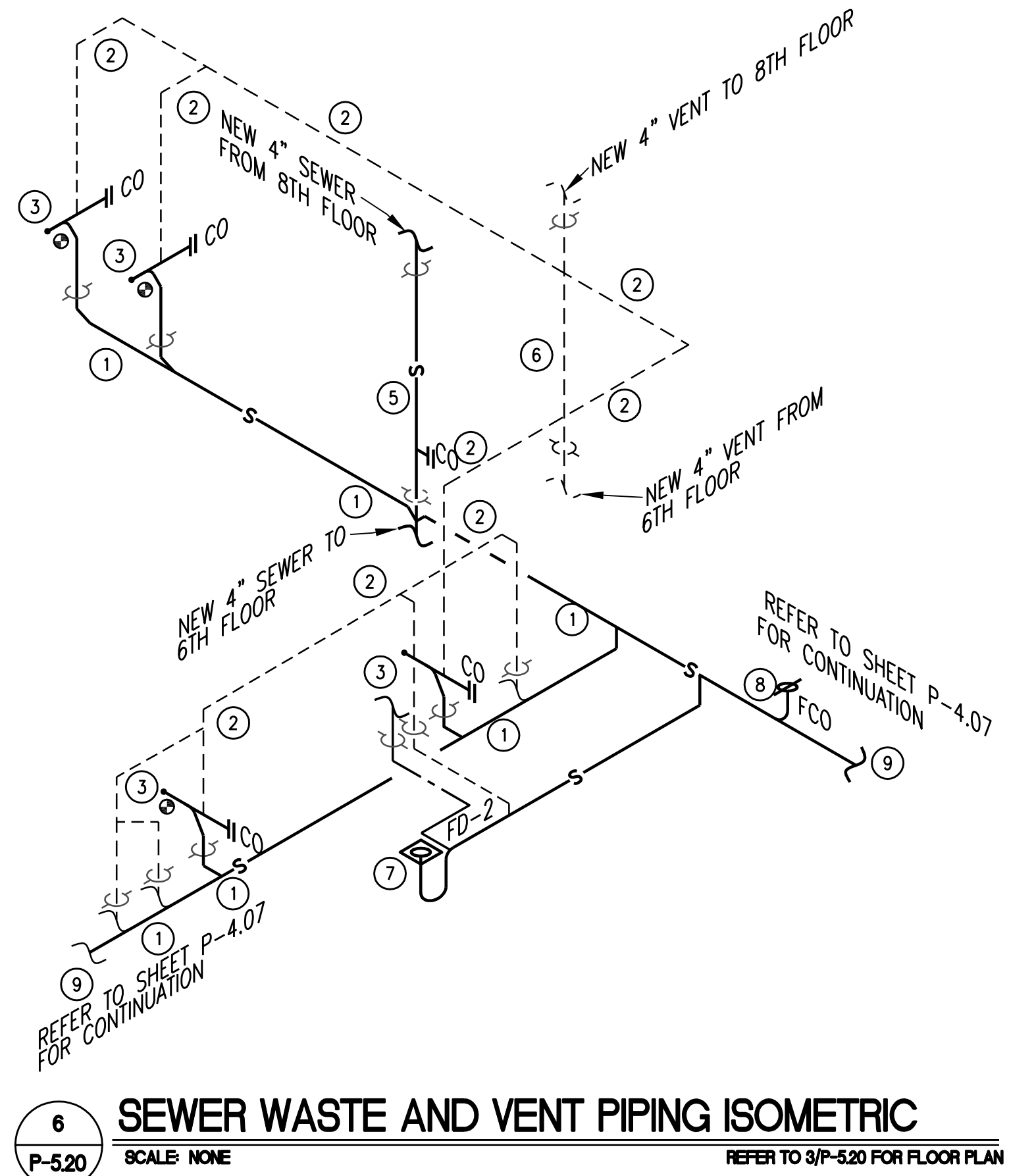
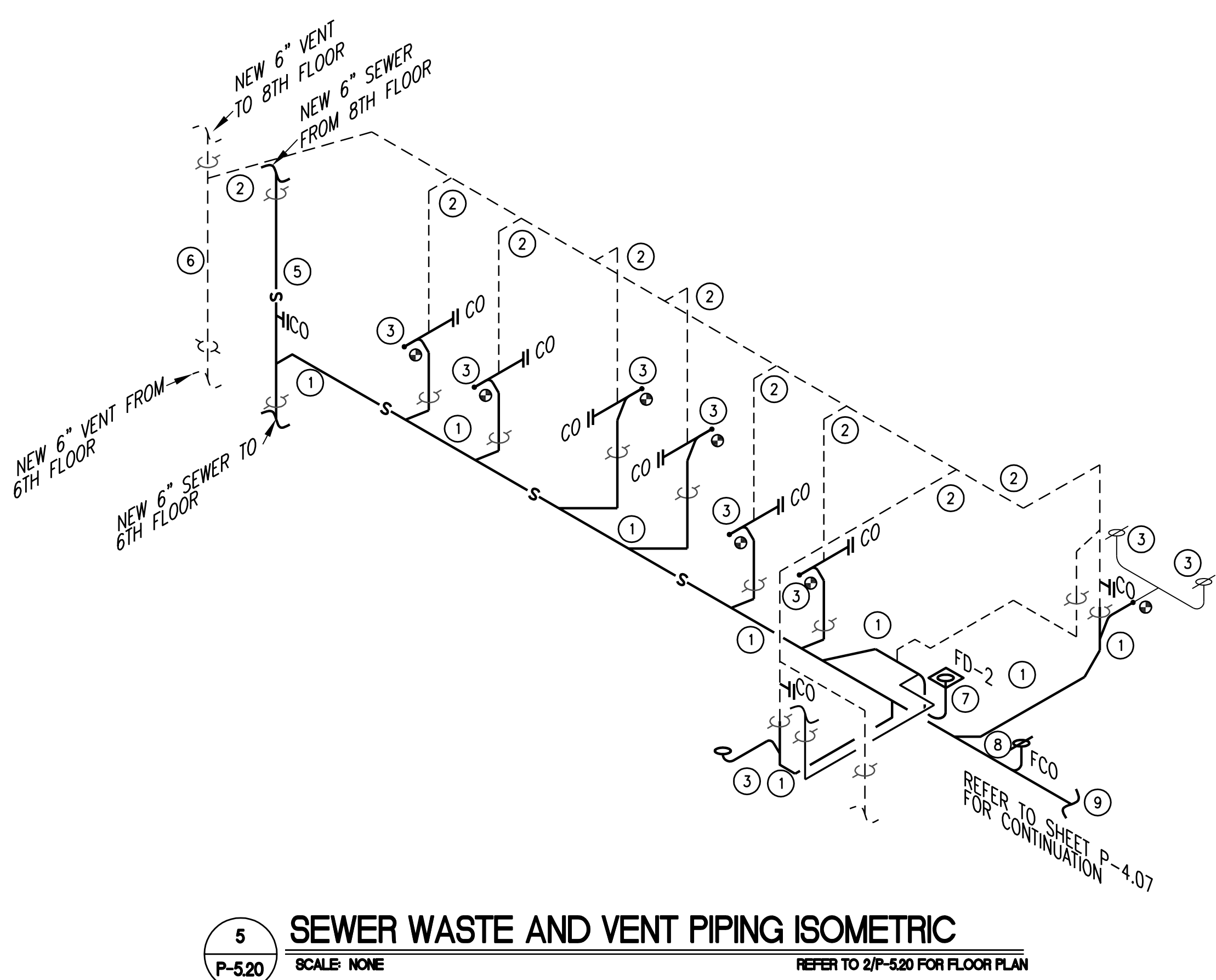
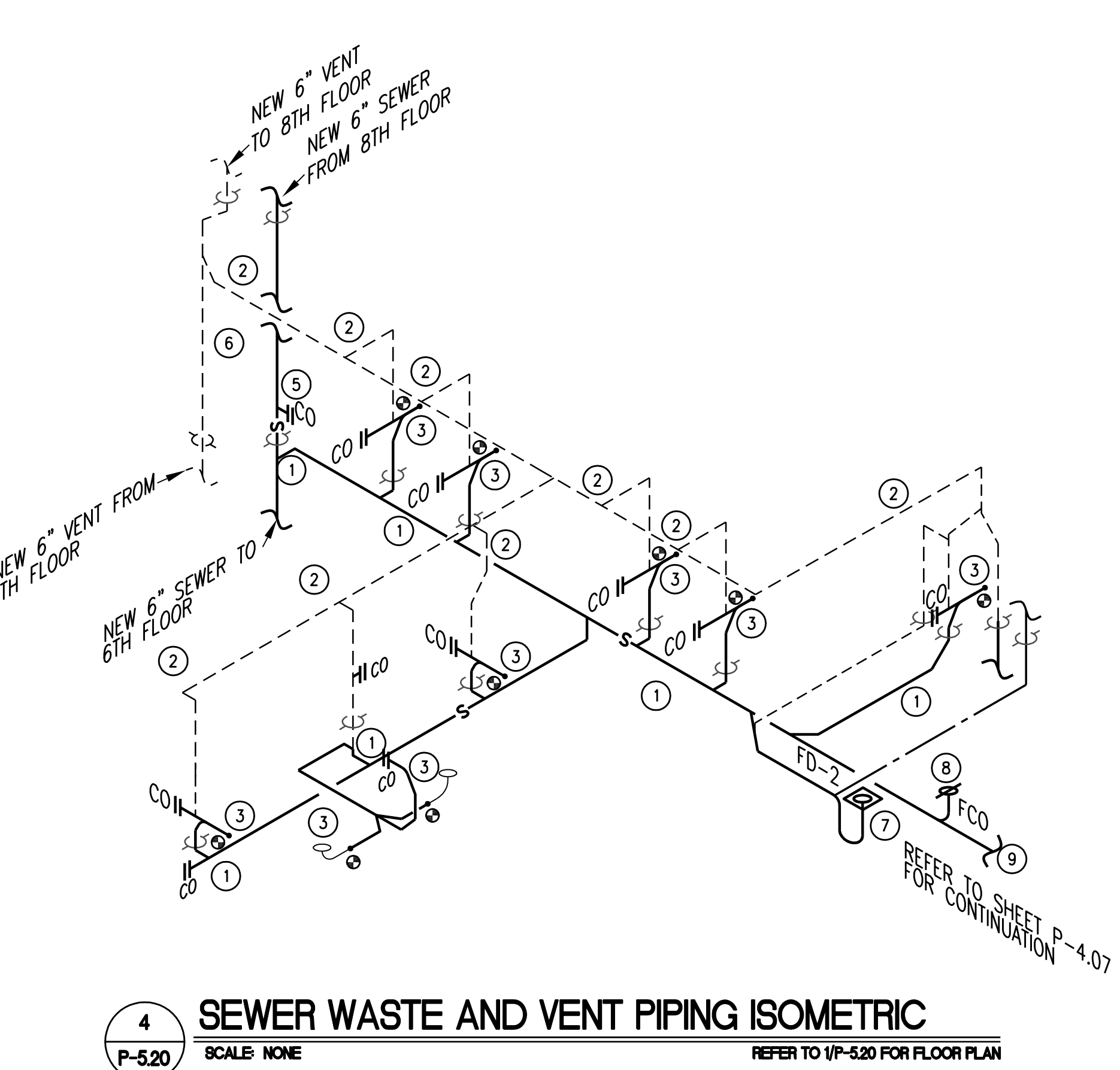


REMODEL PLUMBING GENERAL NOTES:

- 1 THE INTENT IS TO REMODEL REPLACEMENT OF THE SEWER AND VENTING SYSTEMS FOR THE FACILITY. THIS FACILITY IS A 24/7 SECURED OPERATION FACILITY, SO THE CONTRACTOR SHALL COORDINATE ALL DEMOLITION AND REMODEL WORK WITH THE DETENTION PERSONNEL.
- 2 SOME PLUMBING CHASES CONTAIN MECHANICAL DUCTWORK, THE CONTRACTOR SHALL COORDINATE THE INSTALLATION OF NEW SEWER AND VENT PIPING WITH THIS DUCTWORK.

REMODEL PLUMBING KEYED NOTES:

- 1 REPLACE EXISTING SEWER WITH NEW SEWER PIPING AT SIZE AS INDICATED INSTALL AND SUPPORT PIPING PER SCHEMATICS 8/P1.01, 9/P-1.01 AND 12/P-1.01.
- 2 REPLACE EXISTING VENT WITH NEW VENT PIPING AT SIZE AS INDICATED INSTALL AND SUPPORT PIPING PER SCHEMATICS 8/P1.01, 9/P-1.01 AND 12/P-1.01.
- 3 EXISTING SEWER AND VENT PIPING FROM STAND ALONE WC, FLOOR DRAINS, AND SHOWER ASSEMBLIES FIXTURE IS TO REMAIN AND BE RECONNECTED TO THE NEW SEWER MAIN AT WALL/FLOOR PENETRATION AS INDICATED.
- 4 EXISTING FLOOR PENETRATION TO BE FILLED IN WITH CONCRETE TO SEAL THE OPENING.
- 5 NEW MAIN SEWER RISER PIPING IS TO REPLACE THE EXISTING RISER IN THE SAME PLACE IN CHASE TO BE INSTALLED IN SAME LOCATION OF EXISTING MAIN SEWER RISER PIPING, REFER TO SCHEMATIC 8/P-1.01 FOR FLOOR PENETRATION.
- 6 NEW MAIN VENT RISER PIPING IS TO REPLACE THE EXISTING RISER IN THE SAME PLACE IN CHASE TO BE INSTALLED IN SAME LOCATION OF EXISTING MAIN VENT RISER PIPING, REFER TO SCHEMATIC 8/P-1.01 FOR FLOOR PENETRATION.
- 7 NEW FLOOR DRAIN (FD-2) TO BE INSTALLED IN PLUMBING CHASE, REFER TO 11/P-1.01 FOR FURTHER INFORMATION.
- 8 NEW FLOOR CLEANOUT (FCO) TO BE INSTALLED PER SCHEMATIC 1/P-1.01.
- 9 PIPING PENETRATION WALL PER SCHEMATIC 7/P1.01.

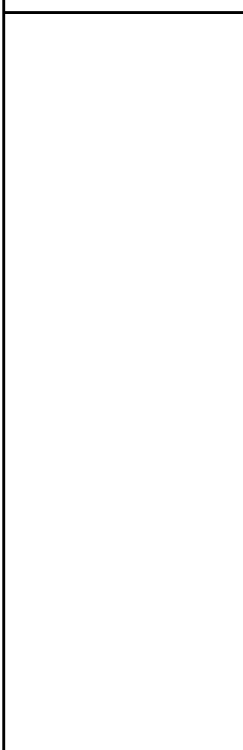


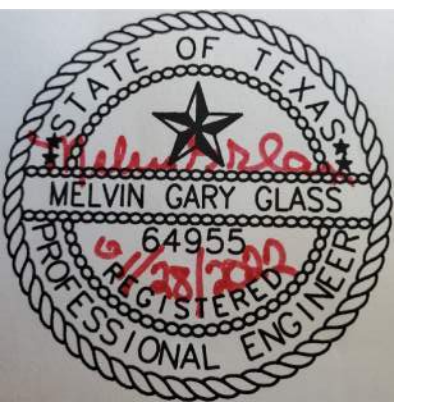
THIS DOCUMENT, WHETHER IN HARD COPY OR MACHINE READABLE FORMAT, IS COPYRIGHTED AND AN INSTRUMENT OF SERVICES IN RESPECT TO THE PROJECT FOR WHICH IT WAS PREPARED. THIS DOCUMENT IS NOT INTENDED OR AUTHORIZED FOR REUSE BY ANY PARTY ON EXTENSIONS OF SUCH PROJECT OR ANY OTHER PROJECT. ANY REUSE, INCLUDING COPYING AND/OR MODIFYING THE DOCUMENT, WITHOUT WRITTEN PERMISSION FROM EMC ENGINEERS FOR THE SPECIFIC PURPOSE INTENDED IS A VIOLATION OF FEDERAL COPYRIGHT LAW. UNAUTHORIZED USE OF THIS MATERIAL MAY RESULT IN CIVIL AND/OR CRIMINAL PENALTIES.
COPY RIGHT 2013 EMC ENGINEERS.

Project:	UPGRADE AND REPLACE THE SANITARY SEWER SYSTEM AT THE EL PASO COUNTY DETENTION FACILITY
Location:	601 E OVERLAND STREET EL PASO, TEXAS
Job Number:	ETC-2108022
Date:	11/23/2021
Scale:	AS SHOWN
Sheet:	P-5.20
75 of: X	

Rev.#	Date	Initial	Description
1		ETC	ETC
2		ETC	ETC

EMC ENGINEERS
2311 E. BUSINESS AVENUE, SUITE 100
EL PASO, TEXAS 79901
TEL: 915-781-2000
FAX: 915-781-2000
WWW.EMCENGINEERS.COM
EMC PROJECT #2108022





THE SEAL APPEARING ON THIS DOCUMENT WAS AUTHORIZED BY MELVIN G. GLASS, P.E. #64935 OF EMC ENGINEERS (TEXAS TIRM REG. #2491) ON JANUARY 28, 2022. ALTERATION OF A SEALED DOCUMENT WITHOUT PROPER NOTIFICATION TO THE RESPONSIBLE ENGINEER IS AN OFFENSE UNDER THE TEXAS ENGINEERING PRACTICE ACT.

Project:	UPGRADE AND REPLACE THE SANITARY SEWER SYSTEM AT THE EL PASO COUNTY DETENTION FACILITY
Location:	601 E OVERLAND STREET EL PASO, TEXAS
Job Number:	EMC-2108022
Date:	11/23/2021
Scale:	A5 SHOWN
Sheet:	P-5.23
7B of:	X



EMC ENGINEERS
2311 E. MIDWAY AVE. SUITE 100
EL PASO, TEXAS 79901
TEL: 915-781-2030
FAX: 915-781-2035
TEXAS TIRM REG. #2491
EMC PROJECT #2108022

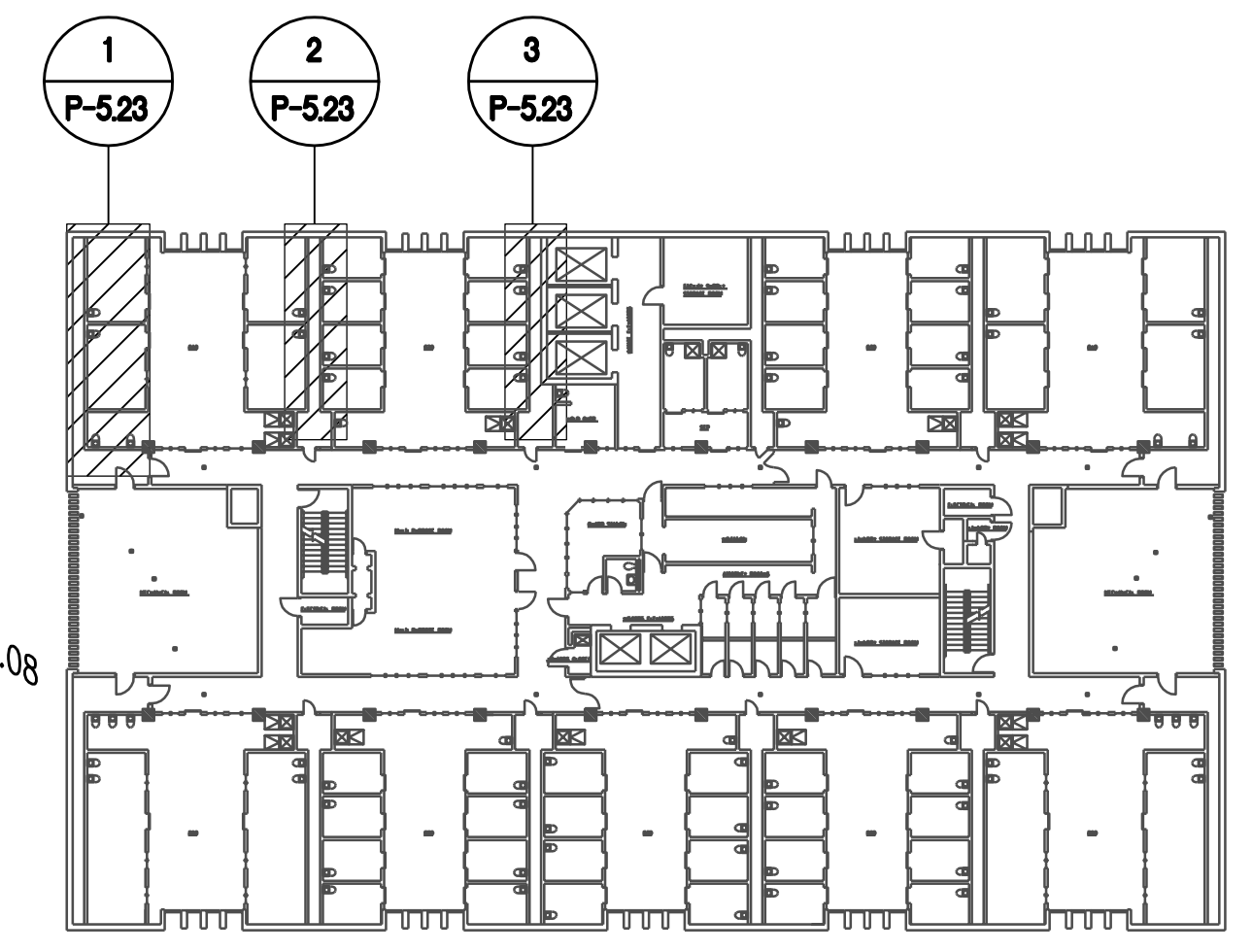
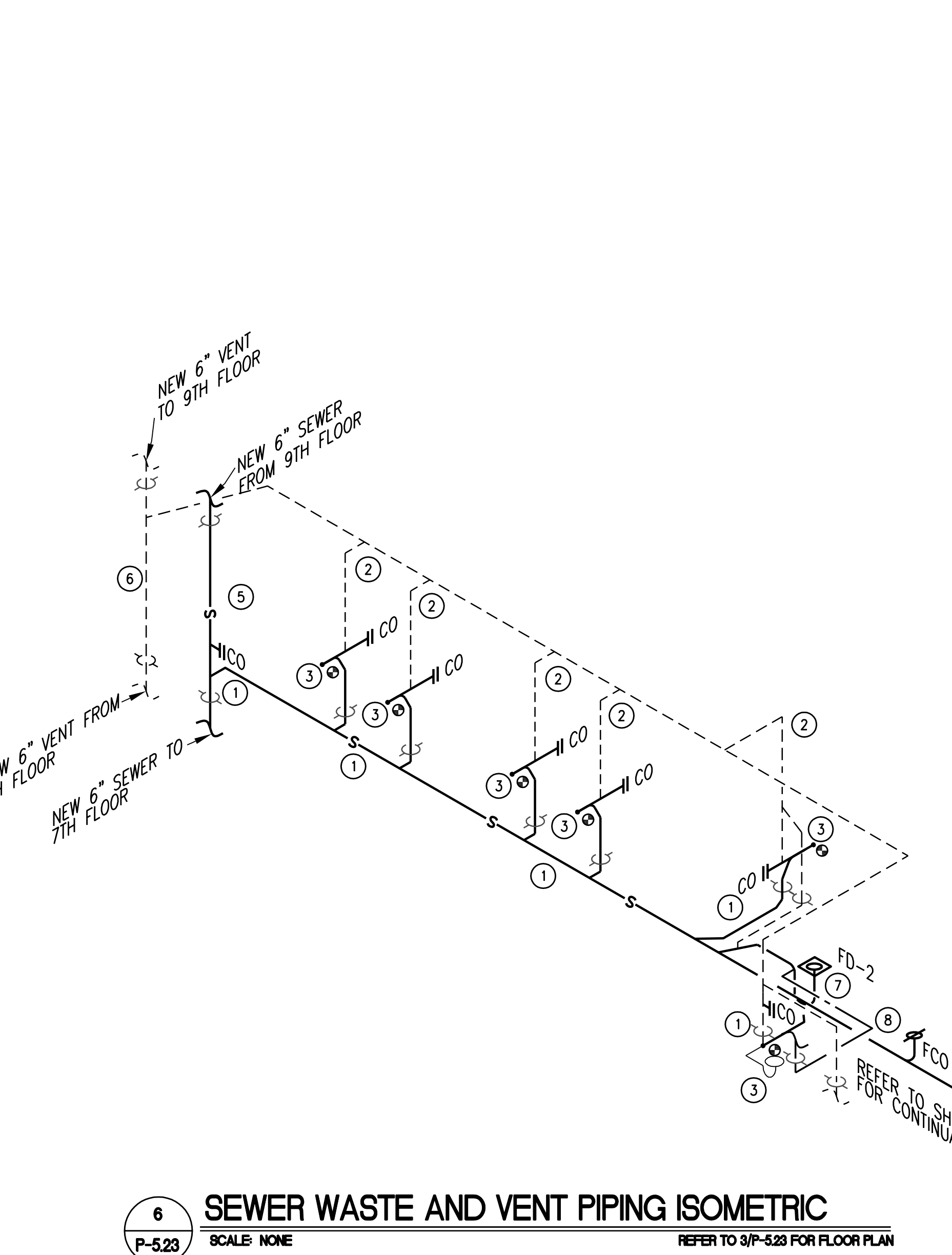
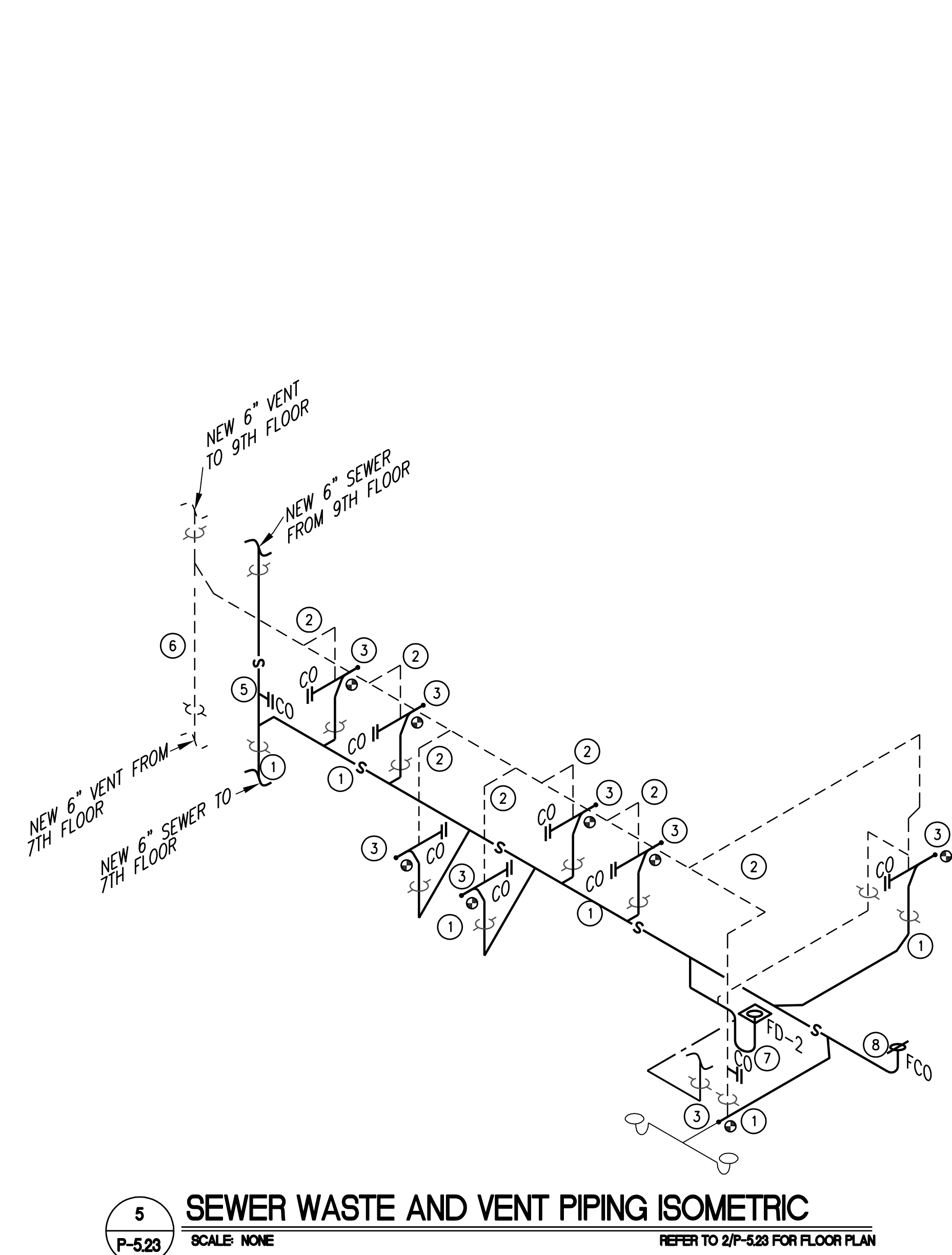
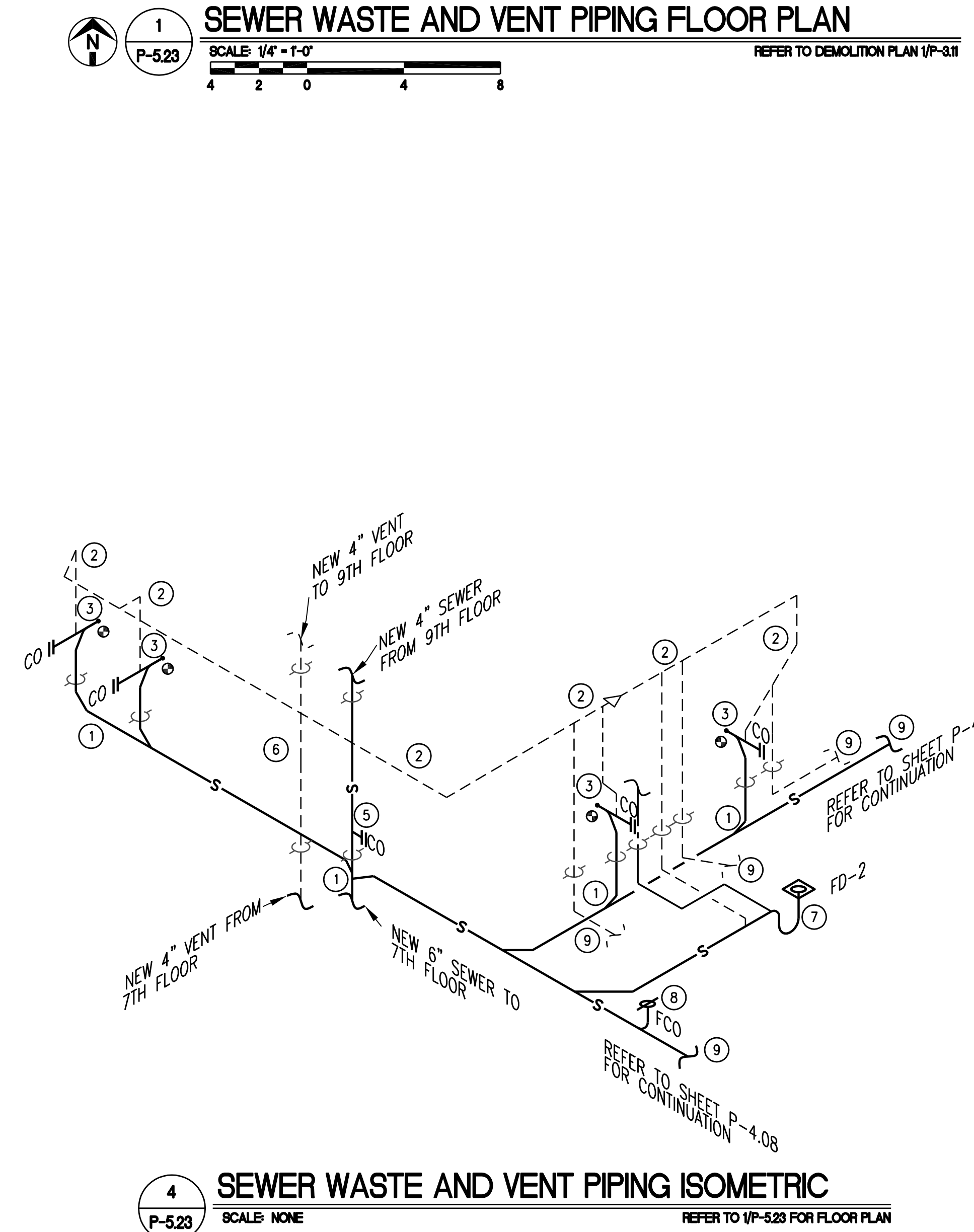
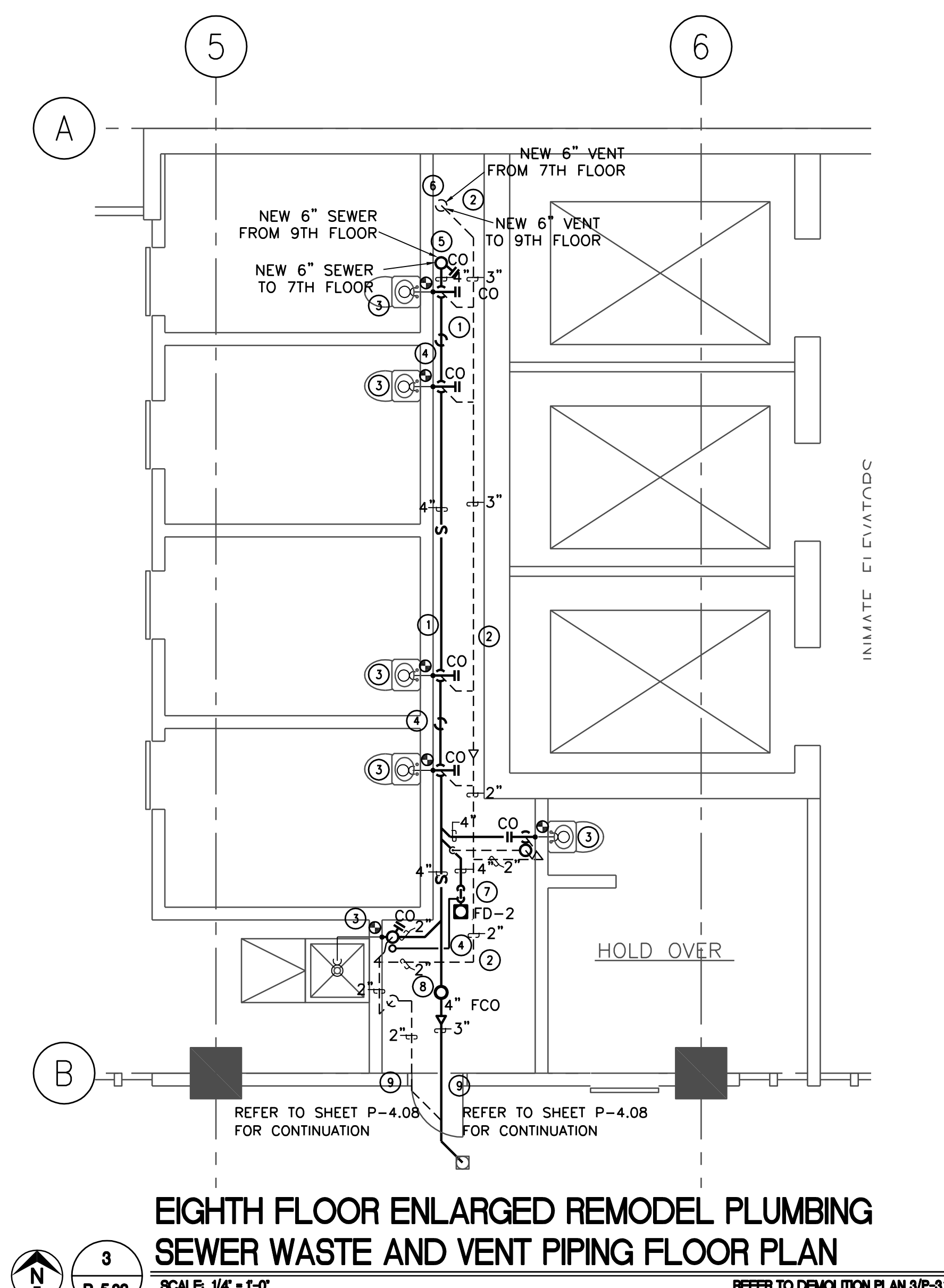
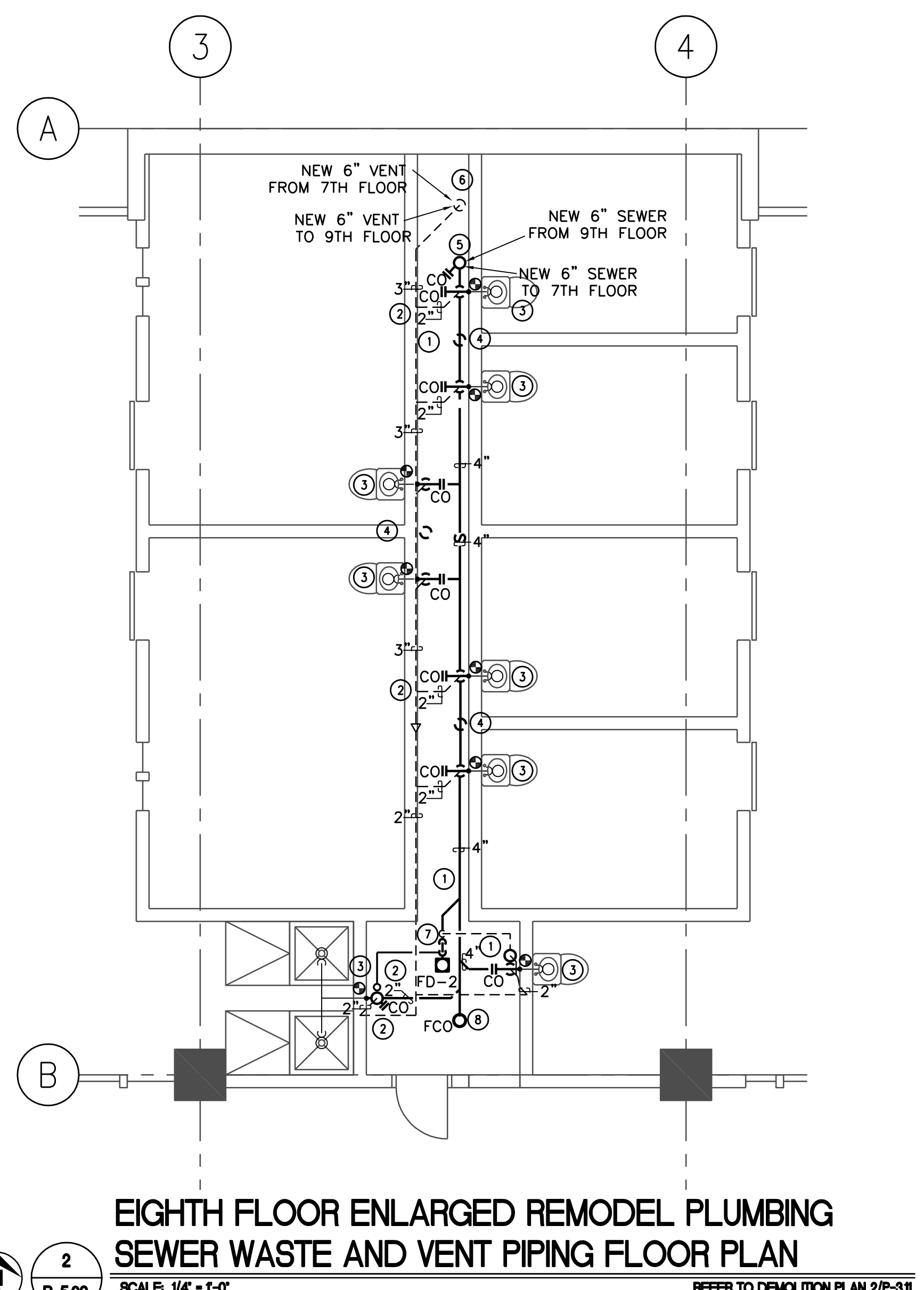
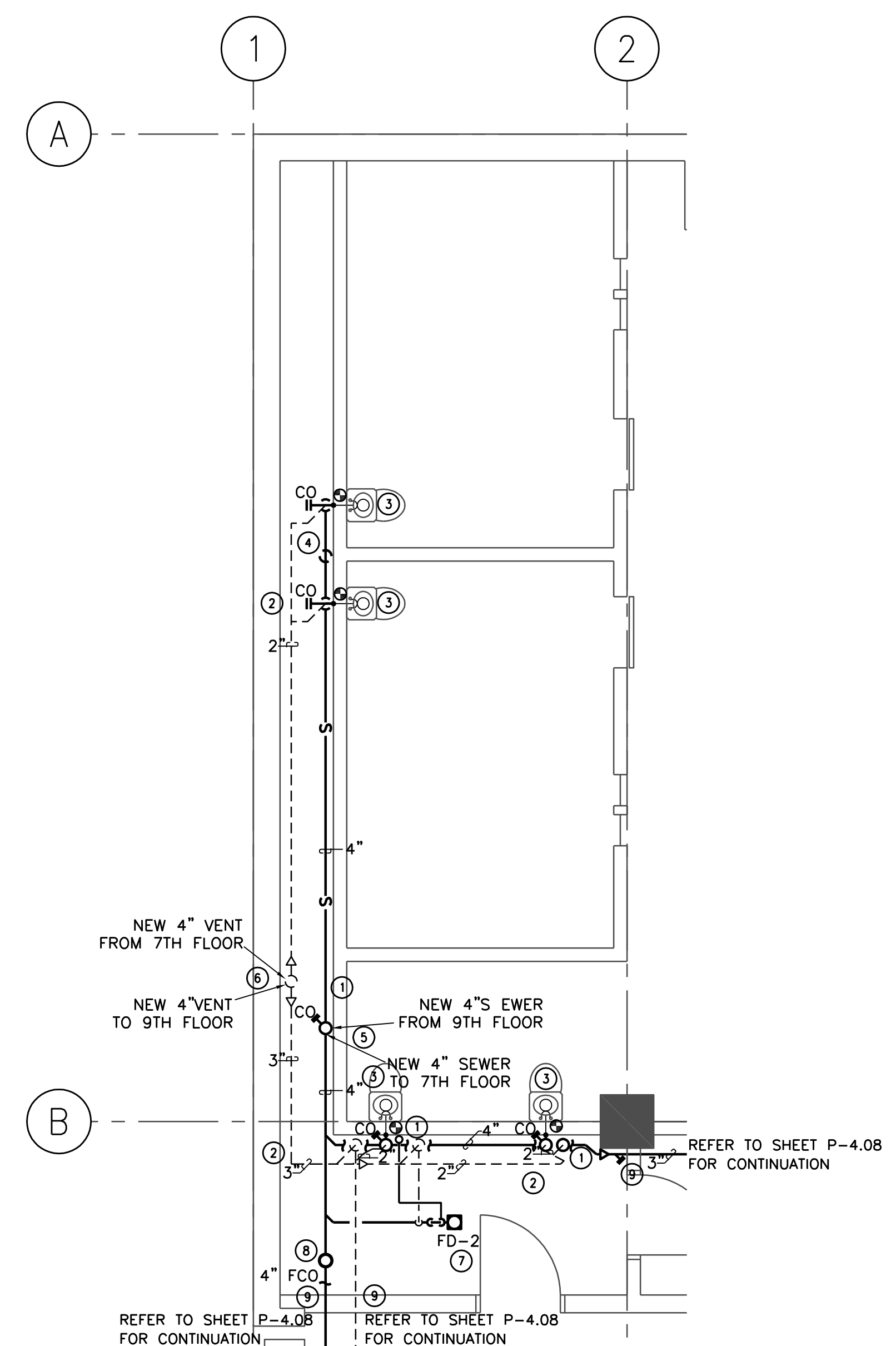
Rev.#	Date	Initial	Description
1			EMC
2			EMC
3			EMC

REMODEL PLUMBING GENERAL NOTES:

- 1 THE INTENT IS TO REMODEL REPLACEMENT OF THE SEWER AND VENTING SYSTEMS FOR THE FACILITY. THIS FACILITY IS A 24/7 SECURED OPERATION FACILITY, SO THE CONTRACTOR SHALL COORDINATE ALL DEMOLITION AND REMODEL WORK WITH THE DETENTION PERSONNEL.
- 2 SOME PLUMBING CHASES CONTAIN MECHANICAL DUCTWORK, THE CONTRACTOR SHALL COORDINATE THE INSTALLATION OF NEW SEWER AND VENT PIPING WITH THIS DUCTWORK.

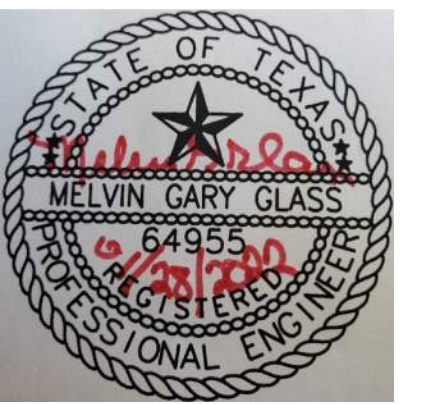
REMODEL PLUMBING KEYED NOTES:

- 1 REPLACE EXISTING SEWER WITH NEW SEWER PIPING AT SIZE AS INDICATED INSTALL AND SUPPORT PIPING PER SCHEMATICS 8/P.1.01, 9/P-1.01 AND 12/P-1.01.
- 2 REPLACE EXISTING VENT WITH NEW VENT PIPING AT SIZE AS INDICATED INSTALL AND SUPPORT PIPING PER SCHEMATICS 8/P.1.01, 9/P-1.01 AND 12/P-1.01.
- 3 EXISTING SEWER AND VENT PIPING FROM STAND ALONE WC, FLOOR DRAINS, AND SHOWER ASSEMBLES FIXTURE IS TO REMAIN AND BE RECONNECTED TO THE NEW SEWER MAIN AT WALL/FLOOR PENETRATION AS INDICATED.
- 4 EXISTING FLOOR PENETRATION TO BE FILLED IN WITH CONCRETE TO SEAL THE OPENING.
- 5 NEW MAIN SEWER RISER PIPING IS TO REPLACE THE EXISTING RISER IN THE SAME PLACE IN CHASE TO BE INSTALLED IN SAME LOCATION OF EXISTING MAIN SEWER RISER PIPING, REFER TO SCHEMATIC 8/P-1.01 FOR FLOOR PENETRATION.
- 6 NEW MAIN VENT RISER PIPING IS TO REPLACE THE EXISTING RISER IN THE SAME PLACE IN CHASE TO BE INSTALLED IN SAME LOCATION OF EXISTING MAIN VENT RISER PIPING, REFER TO SCHEMATIC 8/P-1.01 FOR FLOOR PENETRATION.
- 7 NEW FLOOR DRAIN (FD-2) TO BE INSTALLED IN PLUMBING CHASE, REFER TO 11/P-1.01 FOR FURTHER INFORMATION.
- 8 NEW FLOOR CLEANOUT (FCO) TO BE INSTALLED PER SCHEMATIC 1/P-1.01.
- 9 PIPING PENETRATION WALL PER SCHEMATIC 7/P.1.01.

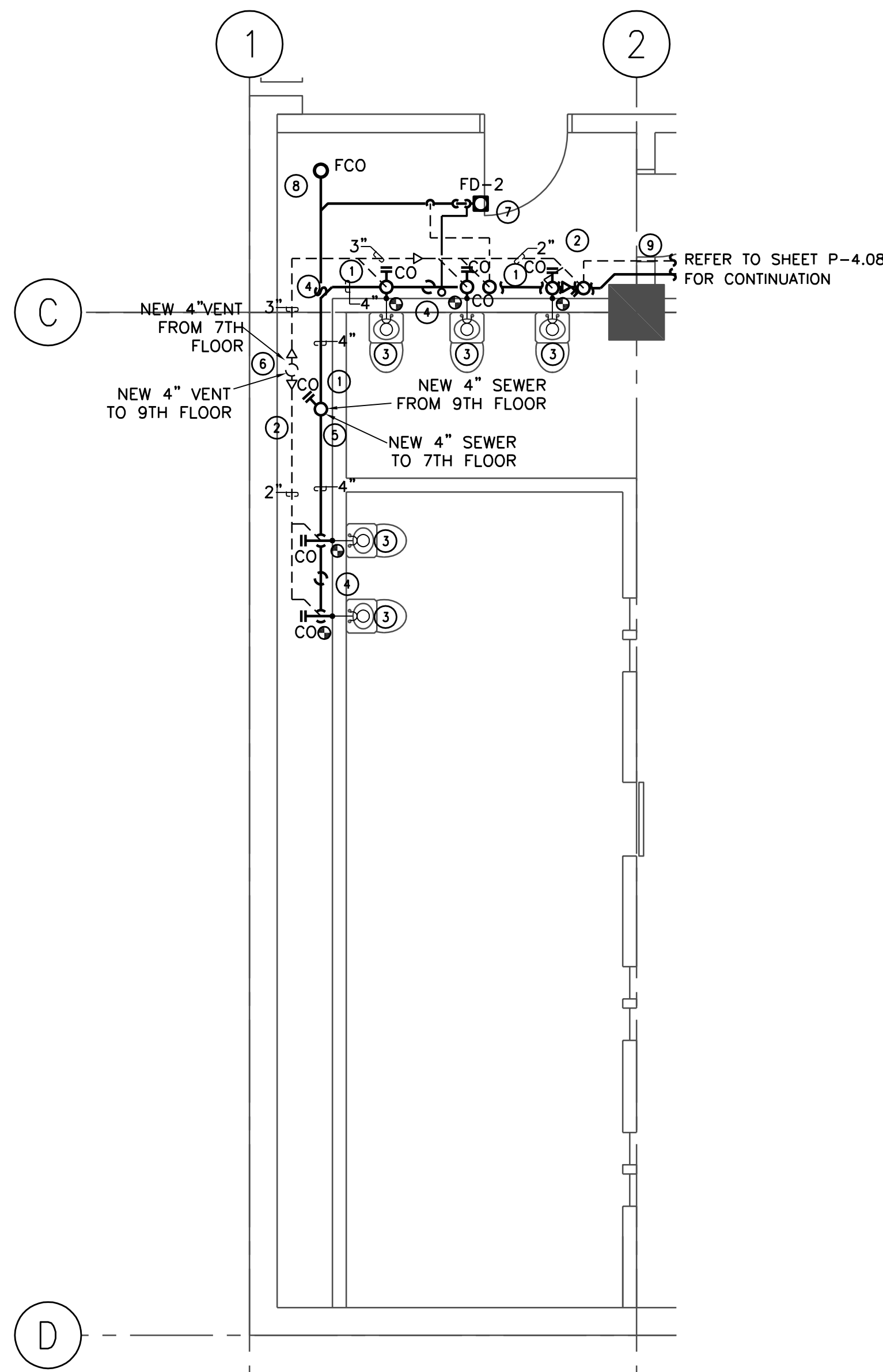


THIS DOCUMENT, WHETHER IN HARD COPY OR MACHINE READABLE FORMAT, IS COPYRIGHTED AND AN INSTRUMENT OF SERVICES IN RESPECT TO THE PROJECT FOR WHICH IT WAS PREPARED. THIS DOCUMENT IS NOT INTENDED OR AUTHORIZED FOR REUSE BY ANY PARTY ON EXTENSIONS OF SUCH PROJECT OR ANY OTHER PROJECT. ANY REUSE, INCLUDING COPYING AND/OR MODIFYING THE DOCUMENT, WITHOUT WRITTEN PERMISSION FROM EMC ENGINEERS FOR THE SPECIFIC PURPOSE INTENDED IS A VIOLATION OF FEDERAL COPYRIGHT LAW. UNAUTHORIZED USE OF THIS MATERIAL MAY RESULT IN CIVIL AND/OR CRIMINAL PENALTIES.
COPY RIGHT 2013 EMC ENGINEERS.

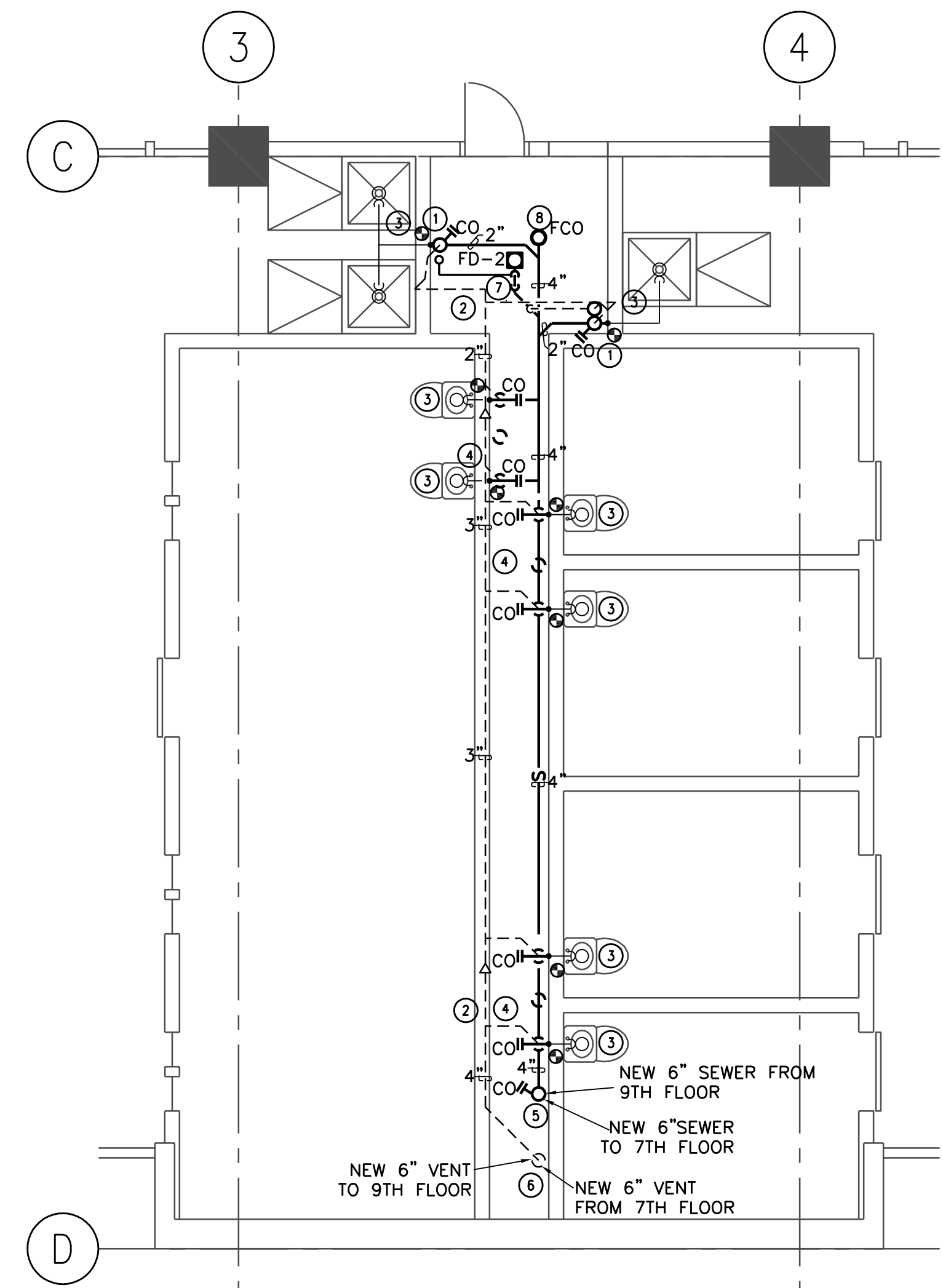
EIGHTH FLOOR KEY PLAN
SCALE: NONE



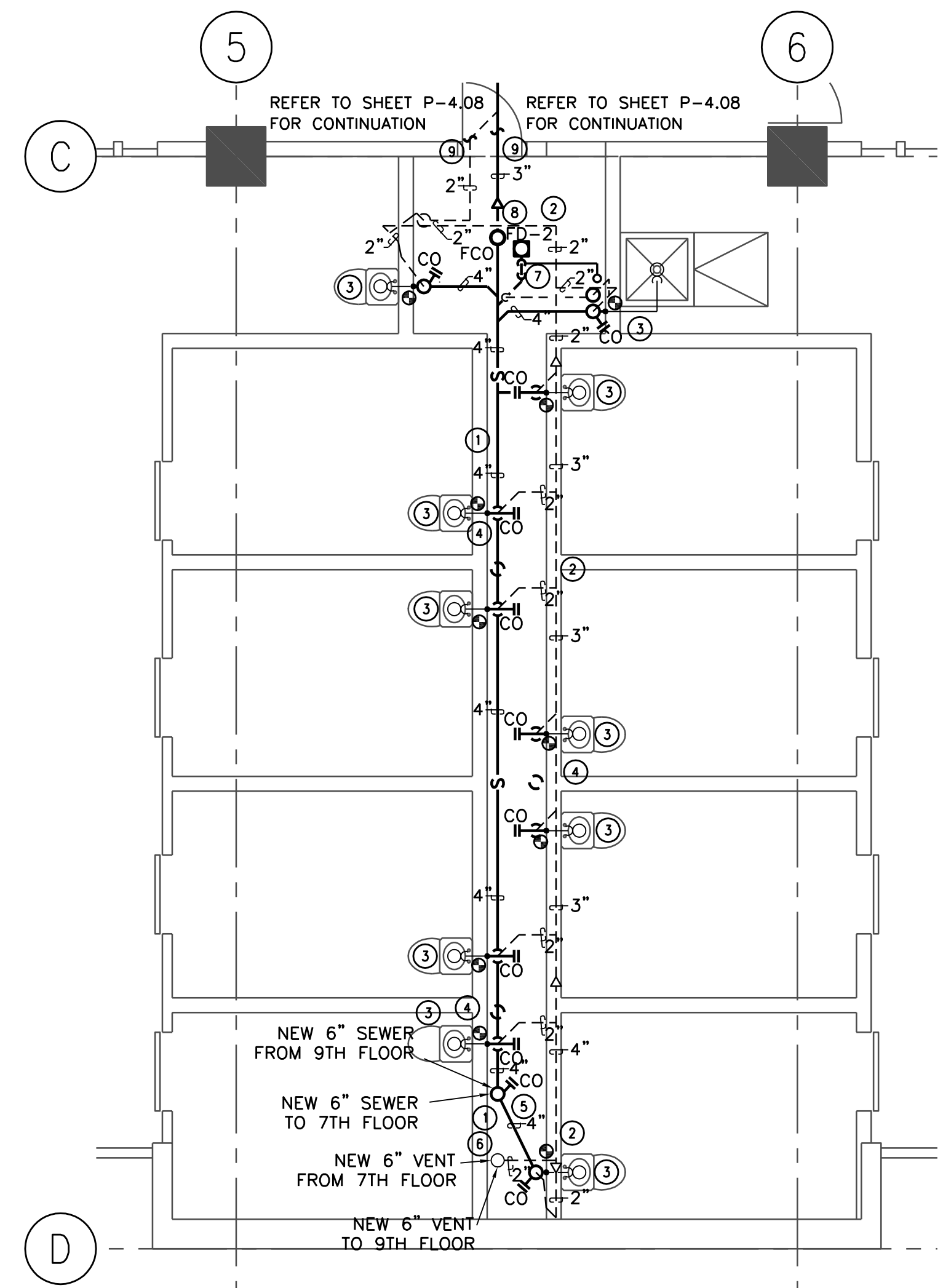
THE SEAL APPEARING ON THIS DOCUMENT WAS AUTHORIZED BY MELVIN G. GLASS, P.E. #64935 OF EMC ENGINEERS (TEXAS FIRM REG. #24911) ON JANUARY 28, 2022. ANY ALTERATION OR ALTERATION OF A SEALED DOCUMENT WITHOUT PROPER NOTIFICATION TO THE RESPONSIBLE ENGINEER IS AN OFFENSE UNDER THE TEXAS ENGINEERING PRACTICE ACT.



1 EIGHTH FLOOR ENLARGED REMODEL PLUMBING SEWER WASTE AND VENT PIPING FLOOR PLAN
 SCALE: 1/4" = 1'-0"
 REFER TO DEMOLITION PLAN VP-312



2 EIGHTH FLOOR ENLARGED REMODEL PLUMBING SEWER WASTE AND VENT PIPING FLOOR PLAN
 SCALE: 1/4" = 1'-0"
 REFER TO DEMOLITION PLAN 3/P-312



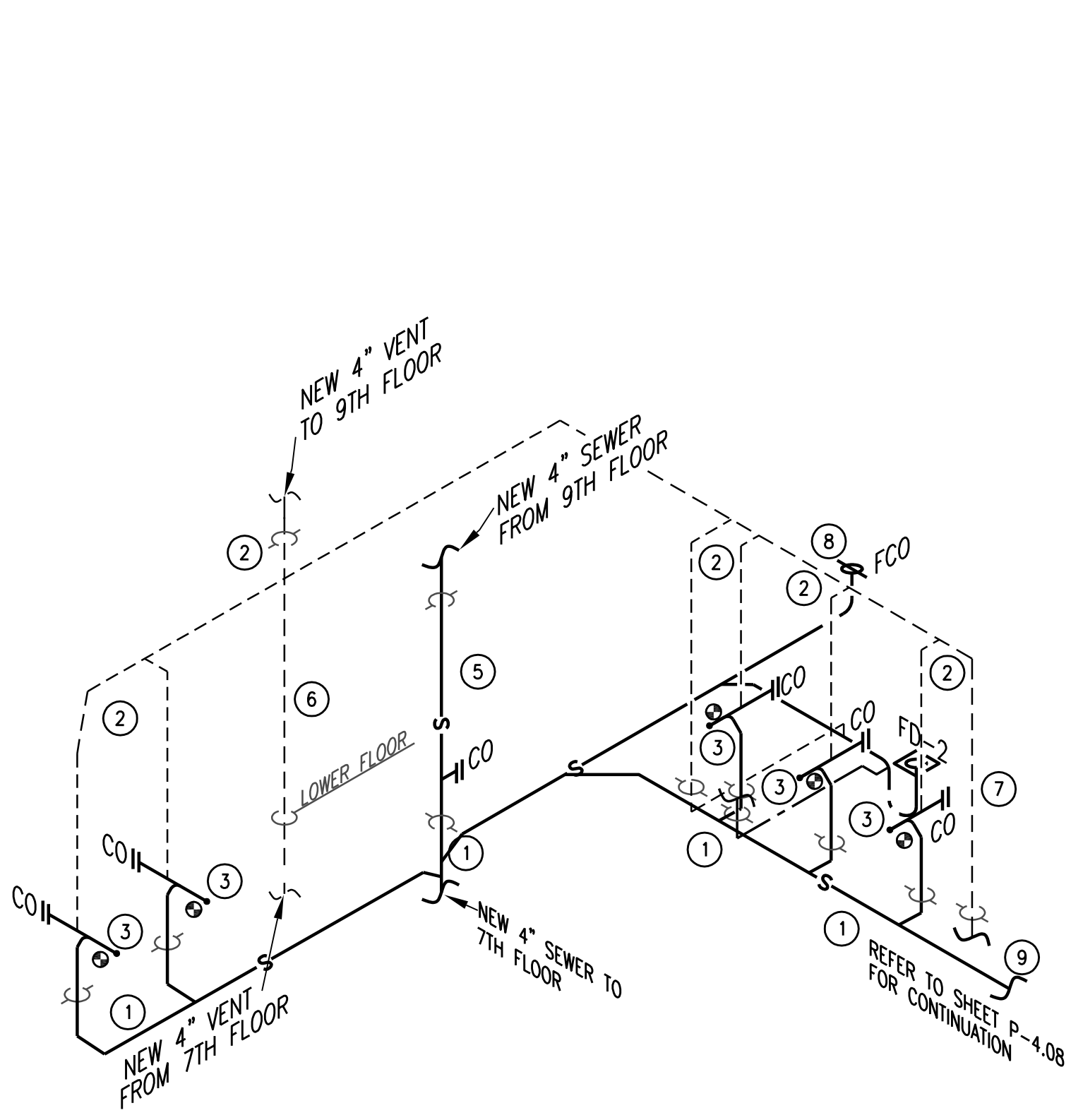
3 EIGHTH FLOOR ENLARGED REMODEL PLUMBING SEWER WASTE AND VENT PIPING FLOOR PLAN
 SCALE: 1/4" = 1'-0"
 REFER TO DEMOLITION PLAN 3/P-312

REMODEL PLUMBING GENERAL NOTES:

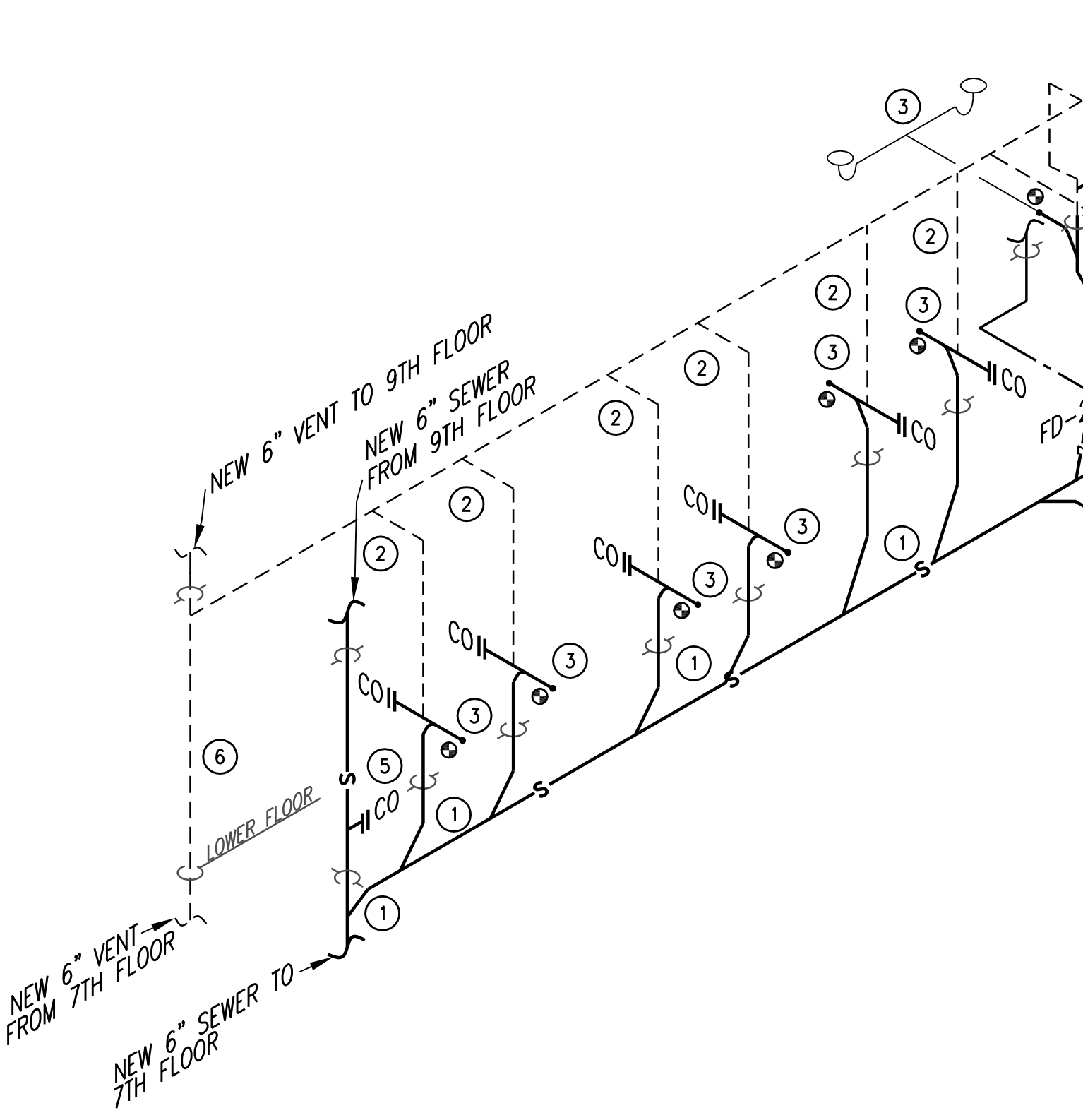
- THE INTENT IS TO REMODEL REPLACEMENT OF THE SEWER AND VENTING SYSTEMS FOR THE FACILITY. THIS FACILITY IS A 24/7 SECURED OPERATION FACILITY, SO THE CONTRACTOR SHALL COORDINATE ALL DEMOLITION AND REMODEL WORK WITH THE DETENTION PERSONNEL.
- SOME PLUMBING CHASES CONTAIN MECHANICAL DUCTWORK, THE CONTRACTOR SHALL COORDINATE THE INSTALLATION OF NEW SEWER AND VENT PIPING WITH THIS DUCTWORK.

REMODEL PLUMBING KEYED NOTES:

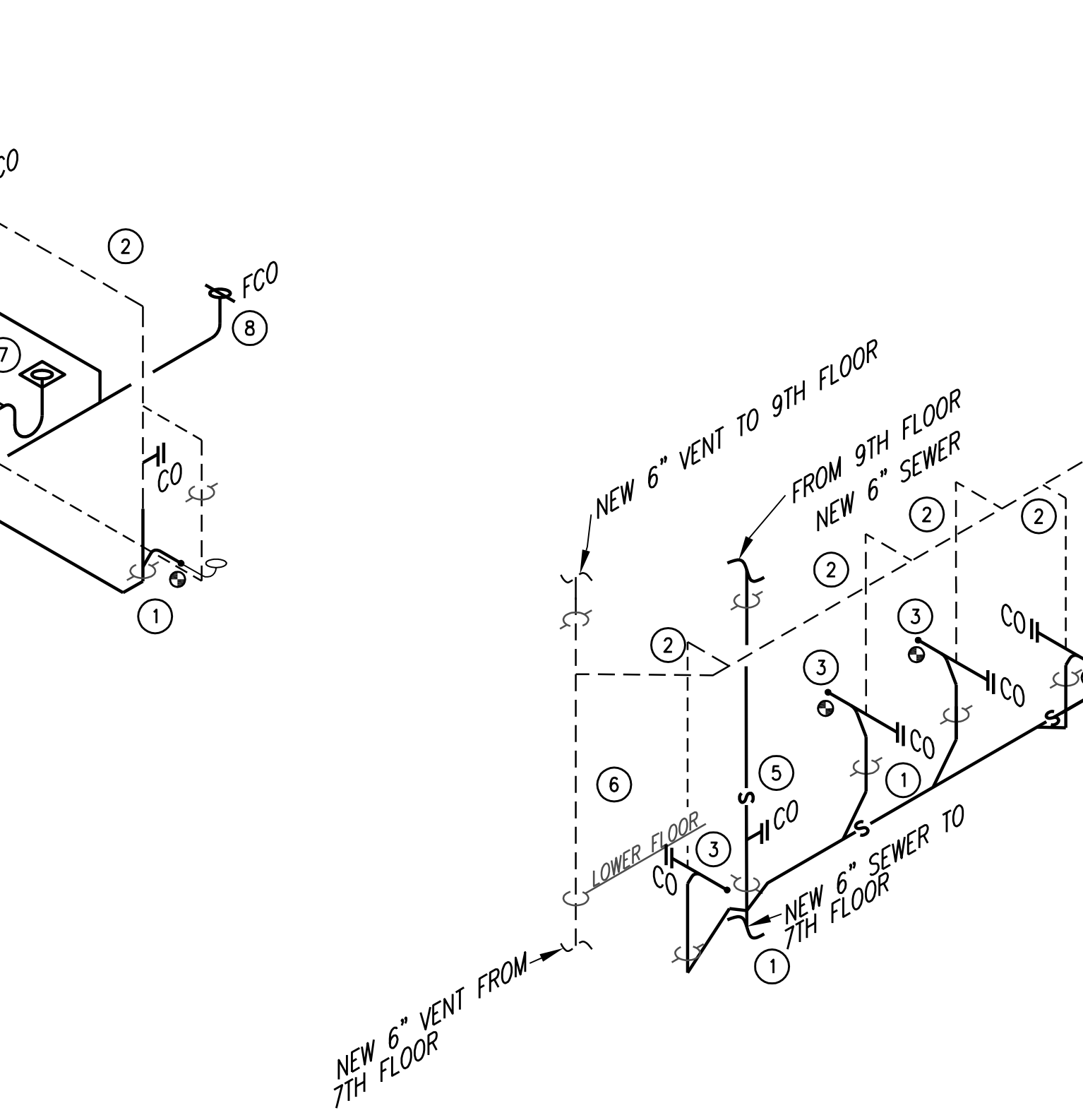
- REPLACE EXISTING SEWER WITH NEW SEWER PIPING AT SIZE AS INDICATED INSTALL AND SUPPORT PIPING PER SCHEMATICS 8/P1.01, 9/P-1.01 AND 12/P-1.01.
- REPLACE EXISTING VENT WITH NEW VENT PIPING AT SIZE AS INDICATED INSTALL AND SUPPORT PIPING PER SCHEMATICS 8/P1.01, 9/P-1.01 AND 12/P-1.01.
- EXISTING SEWER AND VENT PIPING FROM STAND ALONE WC, FLOOR DRAINS, AND SHOWER ASSEMBLES FIXTURE IS TO REMAIN AND BE RECONNECTED TO THE NEW SEWER MAIN AT WALL/FLOOR PENETRATION AS INDICATED.
- EXISTING FLOOR PENETRATION TO BE FILLED IN WITH CONCRETE TO SEAL THE OPENING.
- NEW MAIN SEWER RISER PIPING IS TO REPLACE THE EXISTING RISER IN THE SAME PLACE IN CHASE TO BE INSTALLED IN SAME LOCATION OF EXISTING MAIN SEWER RISER PIPING, REFER TO SCHEMATIC 8/P-1.01 FOR FLOOR PENETRATION.
- NEW MAIN VENT RISER PIPING IS TO REPLACE THE EXISTING RISER IN THE SAME PLACE IN CHASE TO BE INSTALLED IN SAME LOCATION OF EXISTING MAIN VENT RISER PIPING, REFER TO SCHEMATIC 8/P-1.01 FOR FLOOR PENETRATION.
- NEW FLOOR DRAIN (FD-2) TO BE INSTALLED IN PLUMBING CHASE, REFER TO 11/P-1.01 FOR FURTHER INFORMATION.
- NEW FLOOR CLEANOUT (FCO) TO BE INSTALLED PER SCHEMATIC 1/P-1.01.
- PIPING PENETRATION WALL PER SCHEMATIC 7/P1.01.



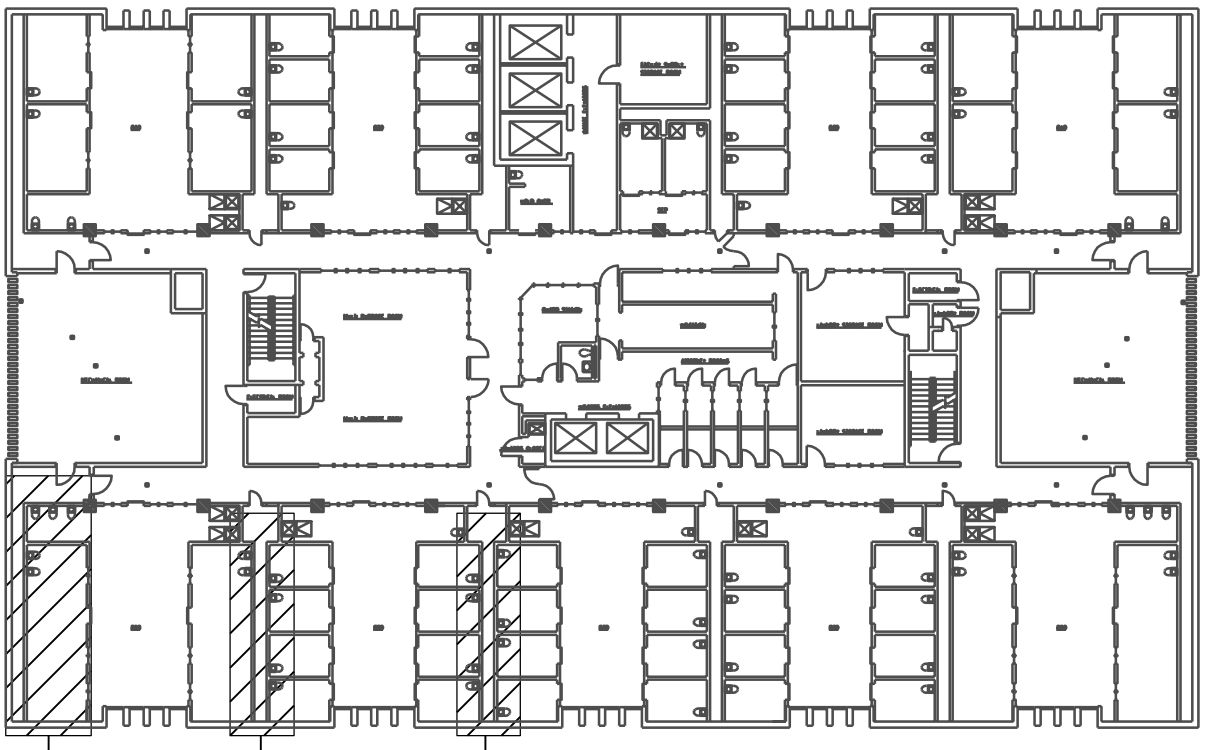
4 SEWER WASTE AND VENT PIPING ISOMETRIC
 SCALE: NONE
 REFER TO VP-525 FOR FLOOR PLAN



5 SEWER WASTE AND VENT PIPING ISOMETRIC
 SCALE: NONE
 REFER TO 2/P-525 FOR FLOOR PLAN



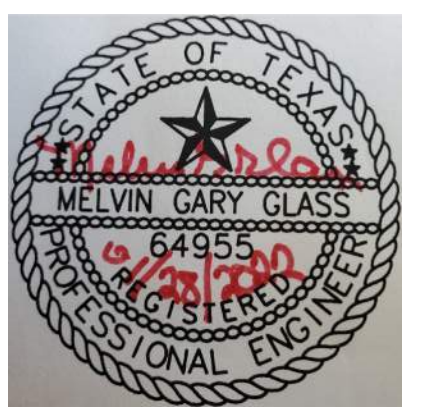
6 SEWER WASTE AND VENT PIPING ISOMETRIC
 SCALE: NONE
 REFER TO 3/P-525 FOR FLOOR PLAN



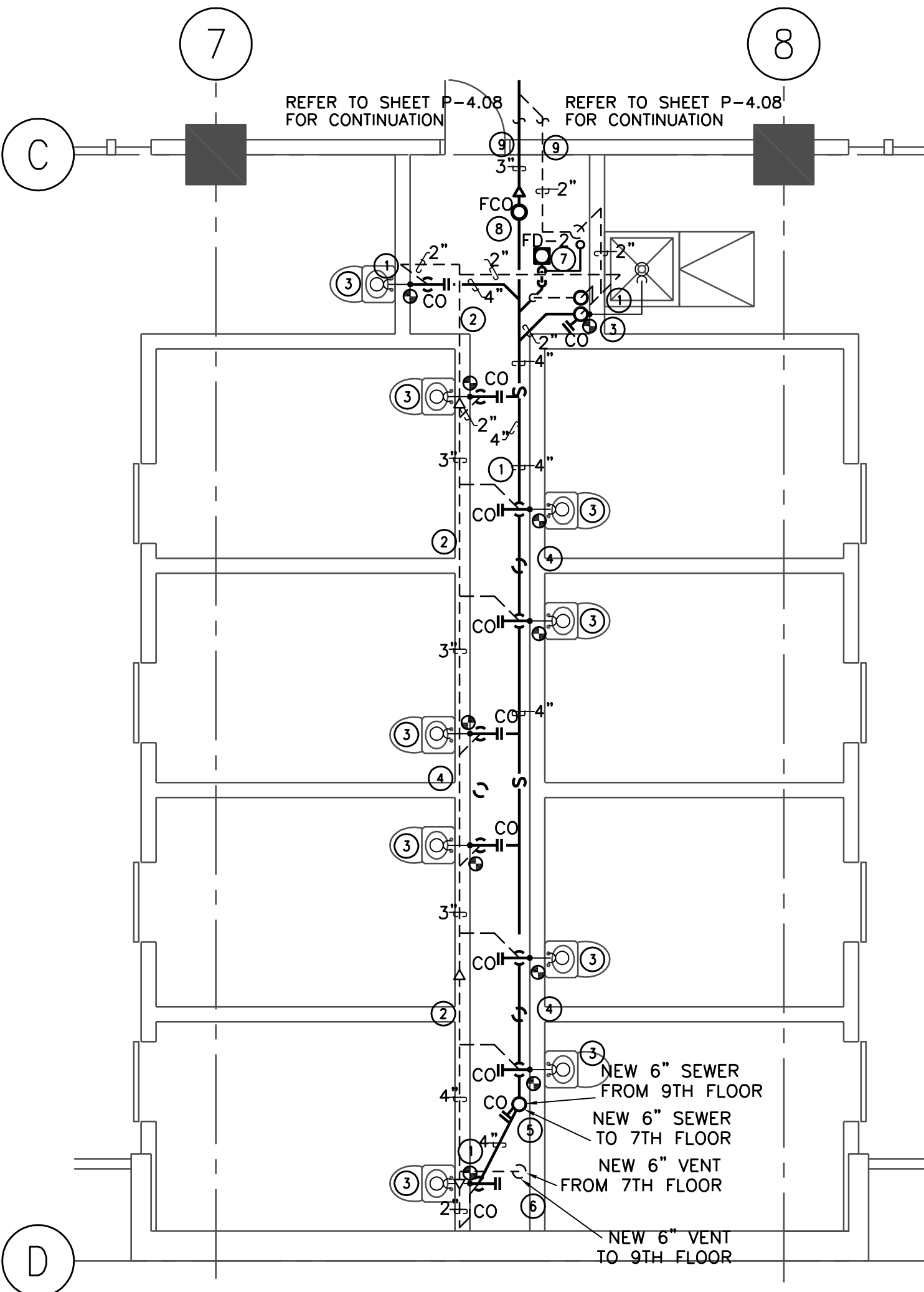
EIGHTH FLOOR KEY PLAN
 SCALE: NONE

THIS DOCUMENT, WHETHER IN HARD COPY OR MACHINE READABLE FORMAT, IS COPYRIGHTED AND AN INSTRUMENT OF SERVICES IN RESPECT TO THE PROJECT FOR WHICH IT WAS PREPARED. THIS DOCUMENT IS NOT INTENDED OR AUTHORIZED FOR REUSE BY ANY PARTY ON EXTENSIONS OF SUCH PROJECT OR ANY OTHER PROJECT. ANY REUSE, INCLUDING COPYING AND/OR MODIFYING THE DOCUMENT, WITHOUT WRITTEN PERMISSION FROM EMC ENGINEERS FOR THE SPECIFIC PURPOSE INTENDED IS A VIOLATION OF FEDERAL COPYRIGHT LAW. UNAUTHORIZED USE OF THIS MATERIAL MAY RESULT IN CIVIL AND/OR CRIMINAL PENALTIES.
 COPY RIGHT 2013 EMC ENGINEERS.

Project:	UPGRADE AND REPLACE THE SANITARY SEWER SYSTEM AT THE EL PASO COUNTY DETENTION FACILITY
Location:	601 E OVERLAND STREET EL PASO, TEXAS
Job Number:	ETC-2108022
Date:	11/23/2021
Scale:	A5 SHOWN
Sheet:	P-5.25
80 of:	X

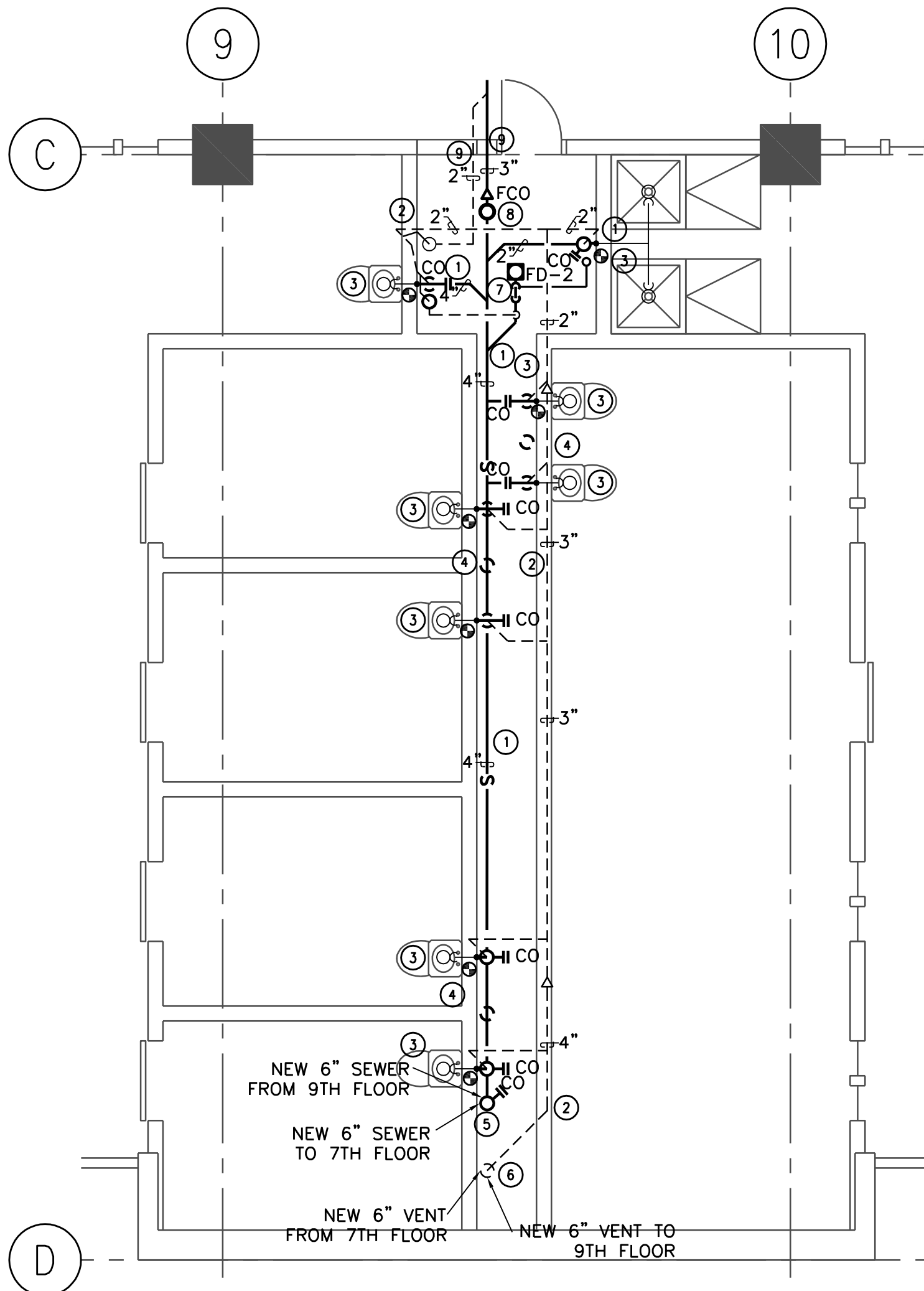


THE SEAL APPEARING ON THIS DOCUMENT WAS AUTHORIZED BY MELVIN G. GLASS, P.E. #64935 OF EMC ENGINEERS (TEXAS FIRM REG. #24991) ON JANUARY 28, 2022. ANY ALTERATION OR ALTERATION OF A SEALED DOCUMENT WITHOUT PROPER NOTIFICATION TO THE RESPONSIBLE ENGINEER IS AN OFFENSE UNDER THE TEXAS ENGINEERING PRACTICE ACT.



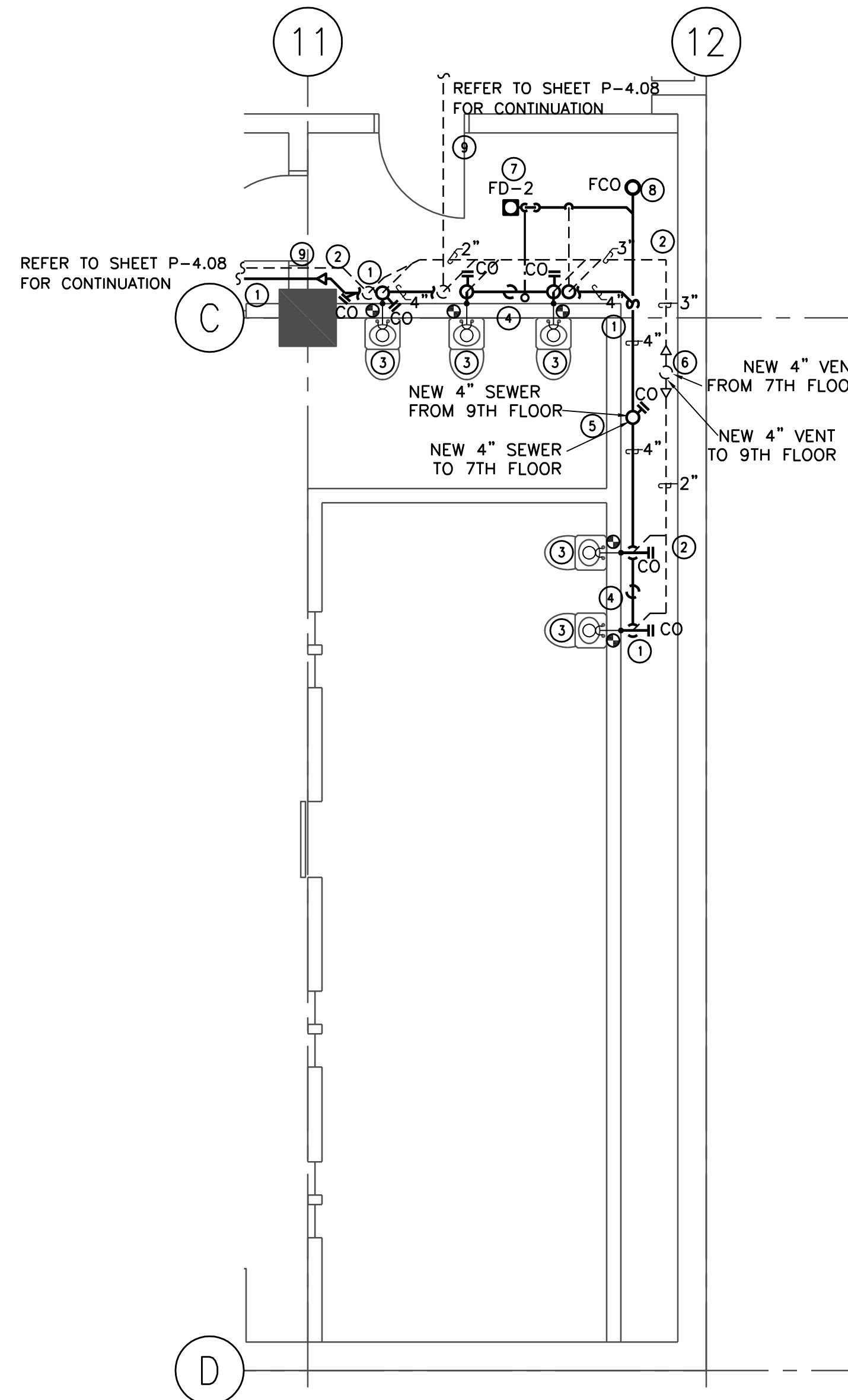
EIGHTH FLOOR ENLARGED REMODEL PLUMBING SEWER WASTE AND VENT PIPING FLOOR PLAN

1
P-526
SCALE: 1/4" = 1'-0"
REFER TO DEMOLITION PLAN 4/P-312



EIGHTH FLOOR ENLARGED REMODEL PLUMBING SEWER WASTE AND VENT PIPING FLOOR PLAN

2
P-526
SCALE: 1/4" = 1'-0"
REFER TO DEMOLITION PLAN 5/P-312



EIGHTH FLOOR ENLARGED REMODEL PLUMBING SEWER WASTE AND VENT PIPING FLOOR PLAN

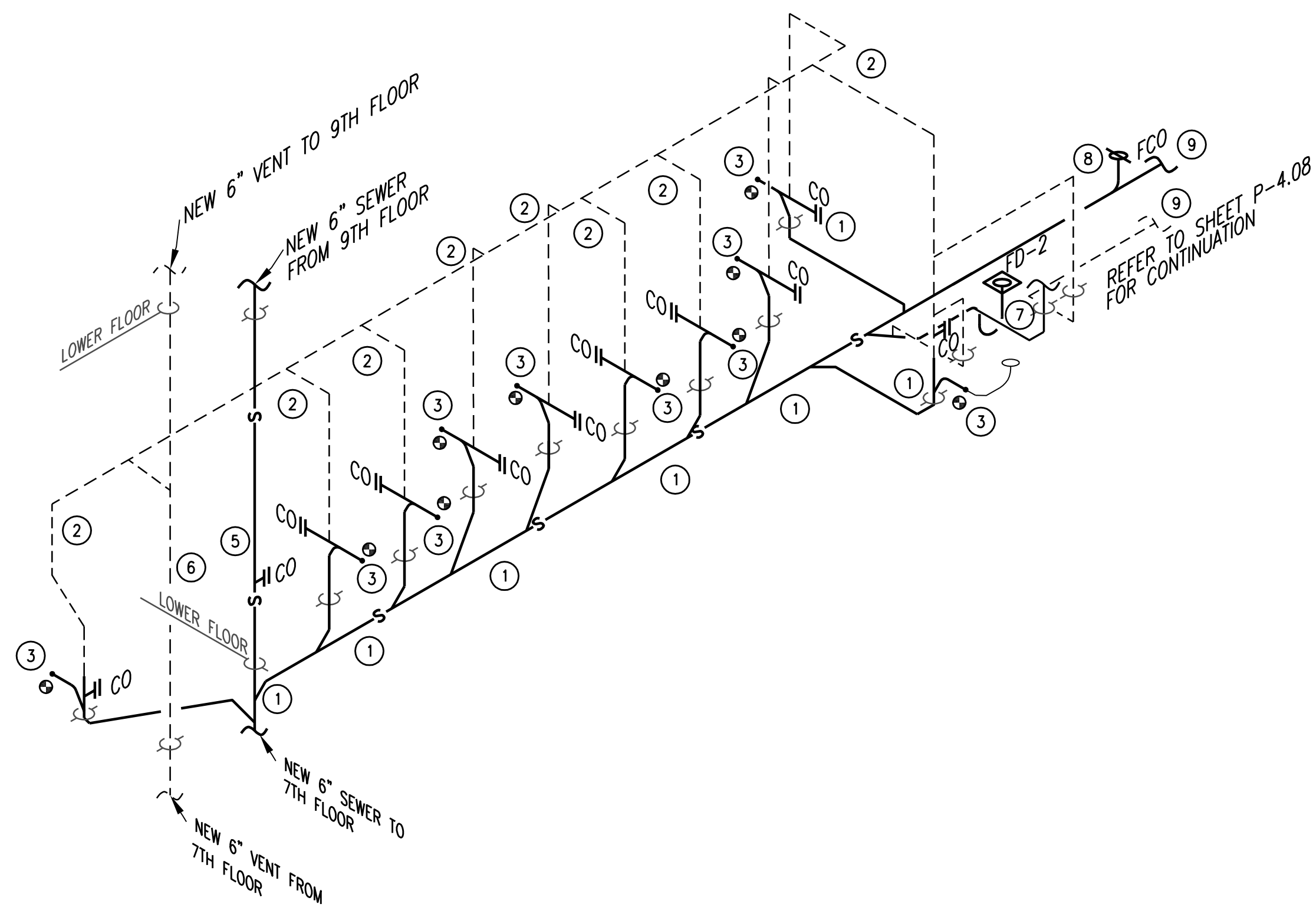
3
P-526
SCALE: 1/4" = 1'-0"
REFER TO DEMOLITION PLAN 6/P-312

REMODEL PLUMBING GENERAL NOTES:

- 1 THE INTENT IS TO REMODEL REPLACEMENT OF THE SEWER AND VENTING SYSTEMS FOR THE FACILITY. THIS FACILITY IS A 24/7 SECURED OPERATION FACILITY, SO THE CONTRACTOR SHALL COORDINATE ALL DEMOLITION AND REMODEL WORK WITH THE DETENTION PERSONNEL.
- 2 SOME PLUMBING CHASES CONTAIN MECHANICAL DUCTWORK, THE CONTRACTOR SHALL COORDINATE THE INSTALLATION OF NEW SEWER AND VENT PIPING WITH THIS DUCTWORK.

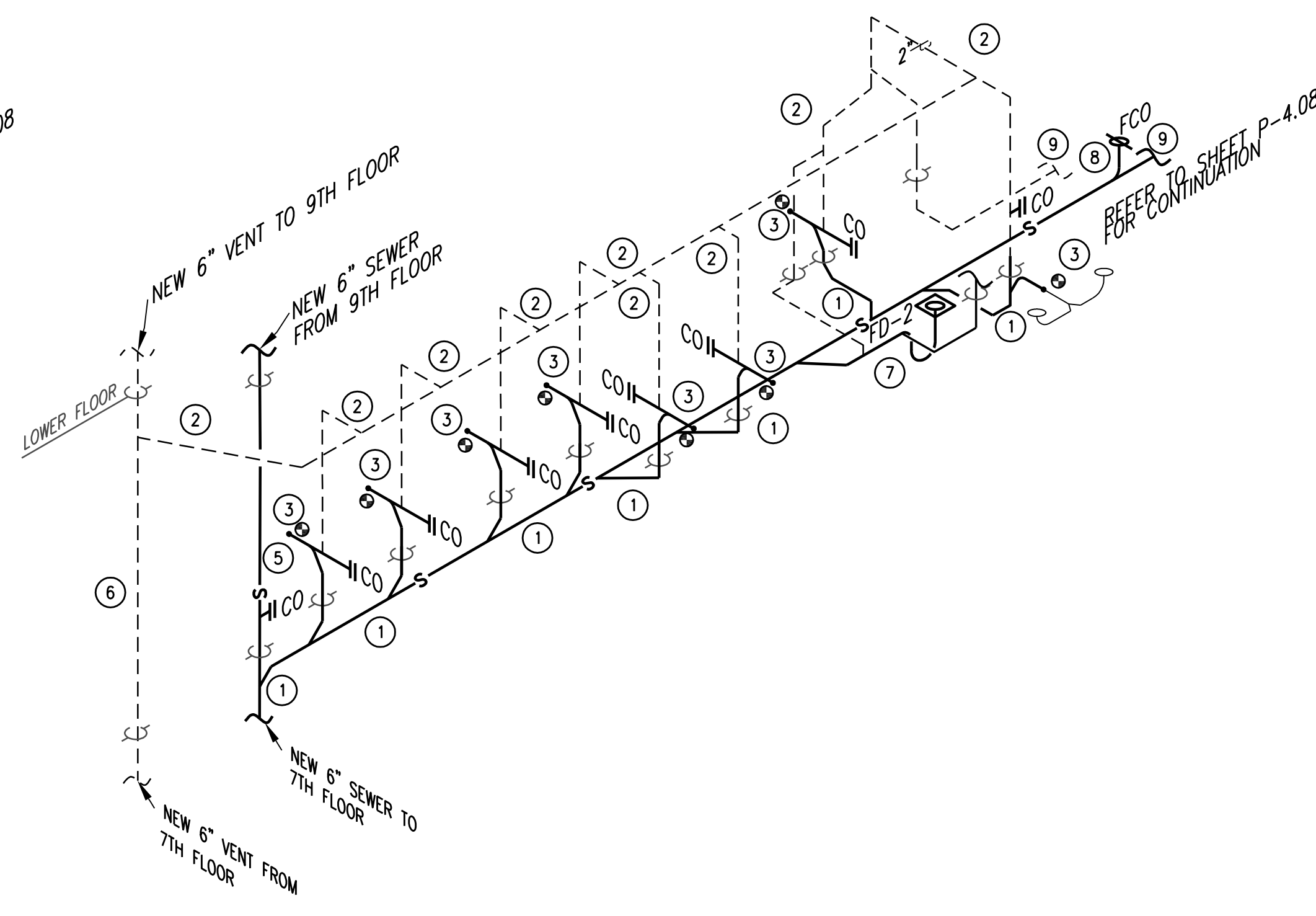
REMODEL PLUMBING KEYED NOTES: (i)

- 1 REPLACE EXISTING SEWER WITH NEW SEWER PIPING AT SIZE AS INDICATED INSTALL AND SUPPORT PIPING PER SCHEMATICS 8/P1.01, 9/P-1.01 AND 12/P-1.01.
- 2 REPLACE EXISTING VENT WITH NEW VENT PIPING AT SIZE AS INDICATED INSTALL AND SUPPORT PIPING PER SCHEMATICS 8/P1.01, 9/P-1.01 AND 12/P-1.01.
- 3 EXISTING SEWER AND VENT PIPING FROM STAND ALONE WC, FLOOR DRAINS, AND SHOWER ASSEMBLES FIXTURE IS TO REMAIN AND BE RECONNECTED TO THE NEW SEWER MAIN AT WALL/FLOOR PENETRATION AS INDICATED.
- 4 EXISTING FLOOR PENETRATION TO BE FILLED IN WITH CONCRETE TO SEAL THE OPENING.
- 5 NEW MAIN SEWER RISER PIPING IS TO REPLACE THE EXISTING RISER IN THE SAME PLACE IN CHASE TO BE INSTALLED IN SAME LOCATION OF EXISTING MAIN SEWER RISER PIPING, REFER TO SCHEMATIC 8/P-1.01 FOR FLOOR PENETRATION.
- 6 NEW MAIN VENT RISER PIPING IS TO REPLACE THE EXISTING RISER IN THE SAME PLACE IN CHASE TO BE INSTALLED IN SAME LOCATION OF EXISTING MAIN VENT RISER PIPING, REFER TO SCHEMATIC 8/P-1.01 FOR FLOOR PENETRATION.
- 7 NEW FLOOR DRAIN (FD-2) TO BE INSTALLED IN PLUMBING CHASE, REFER TO 11/P-1.01 FOR FURTHER INFORMATION.
- 8 NEW FLOOR CLEANOUT (FCO) TO BE INSTALLED PER SCHEMATIC 1/P-1.01.
- 9 PIPING PENETRATION WALL PER SCHEMATIC 7/P1.01.



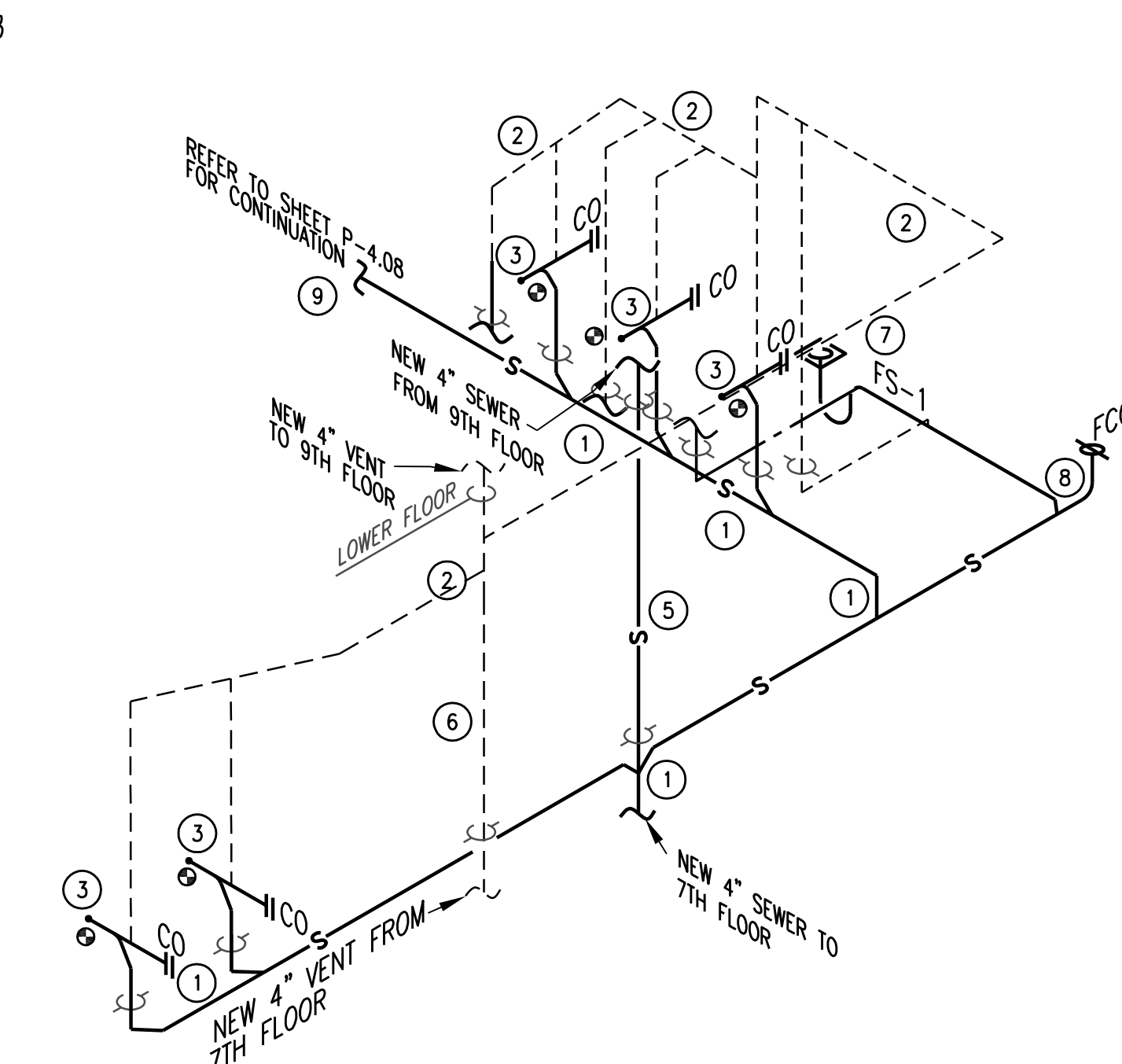
SEWER WASTE AND VENT PIPING ISOMETRIC

4
P-526
SCALE: NONE
REFER TO 1/P-526 FOR FLOOR PLAN



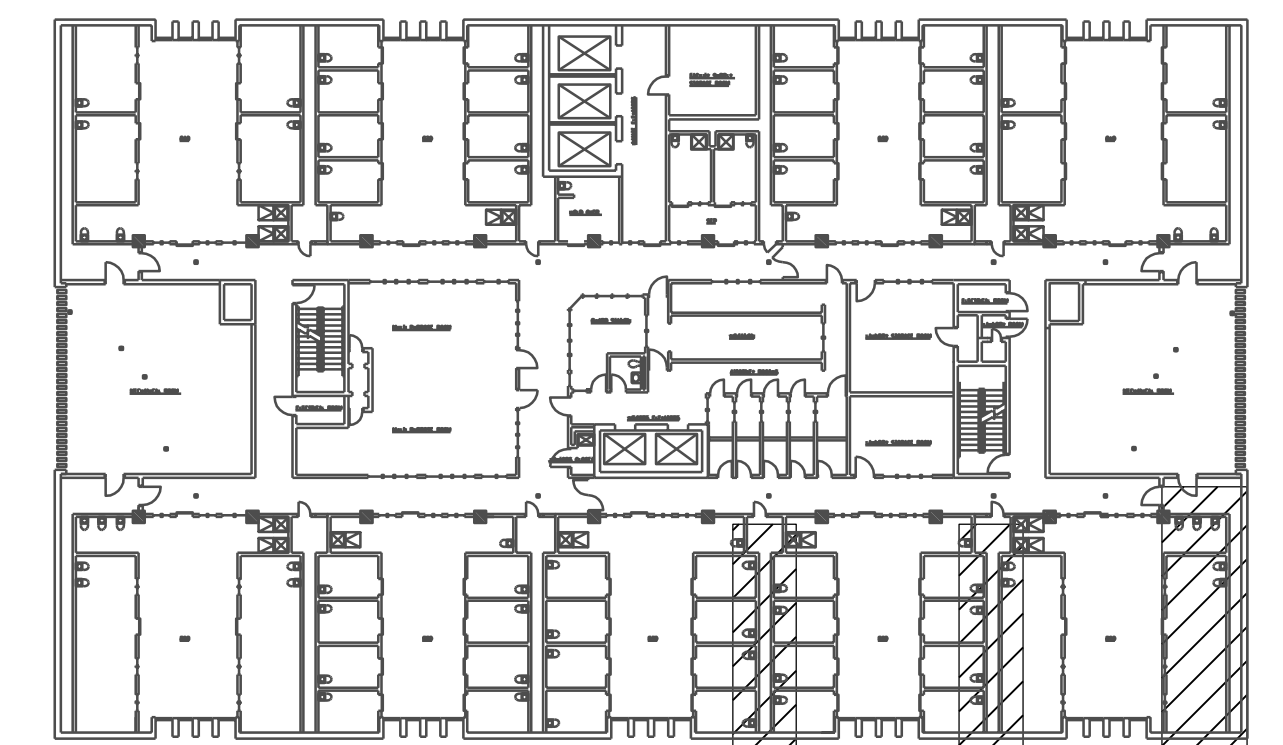
SEWER WASTE AND VENT PIPING ISOMETRIC

5
P-526
SCALE: NONE
REFER TO 2/P-526 FOR FLOOR PLAN



SEWER WASTE AND VENT PIPING ISOMETRIC

6
P-526
SCALE: NONE
REFER TO 3/P-526 FOR FLOOR PLAN

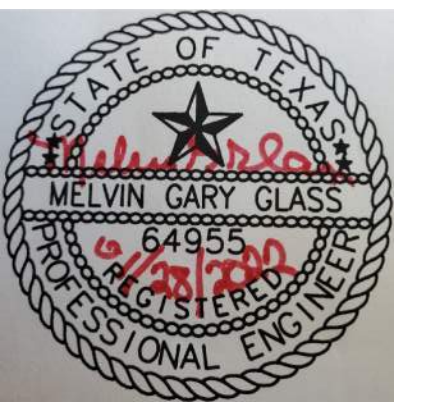


EIGHTH FLOOR KEY PLAN

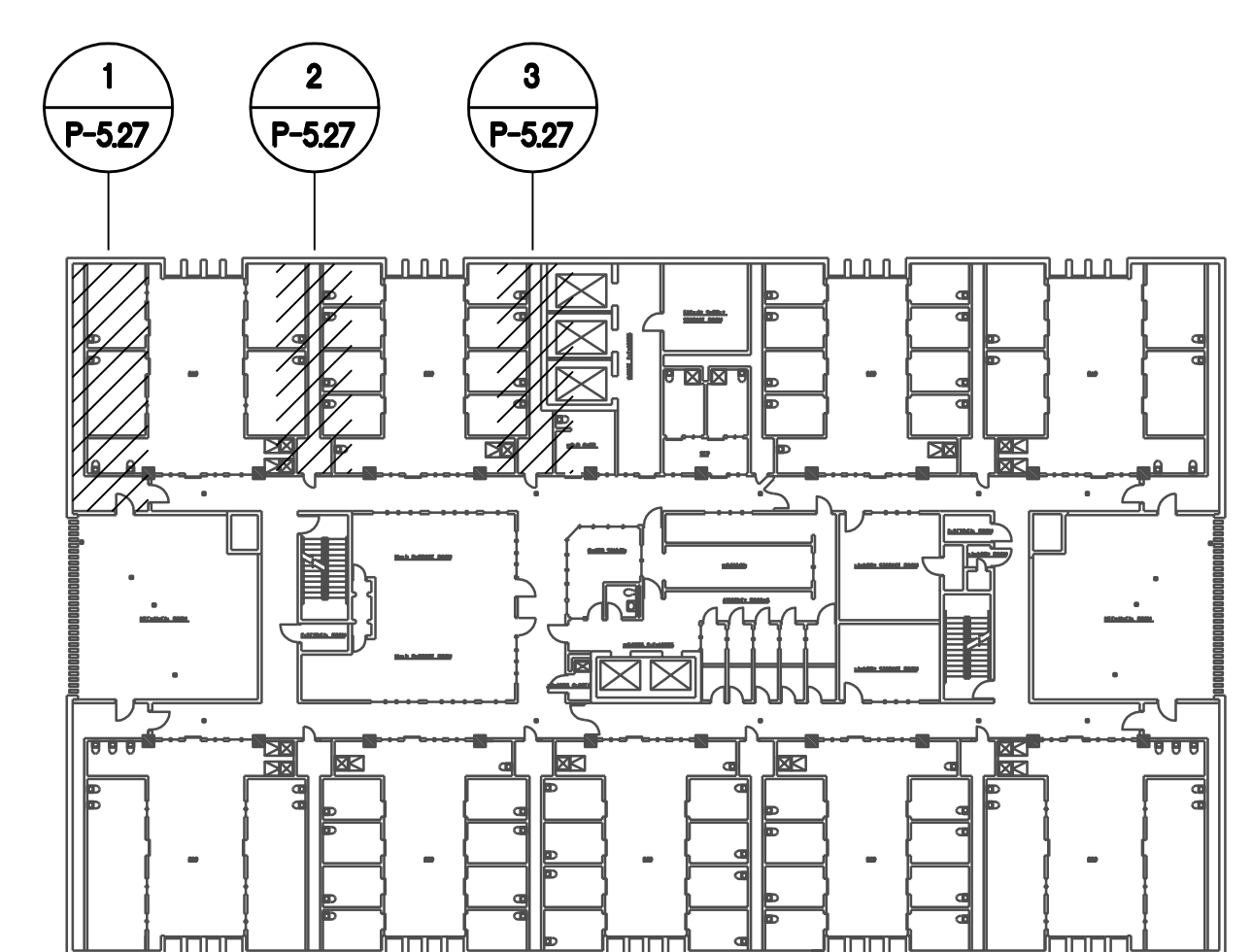
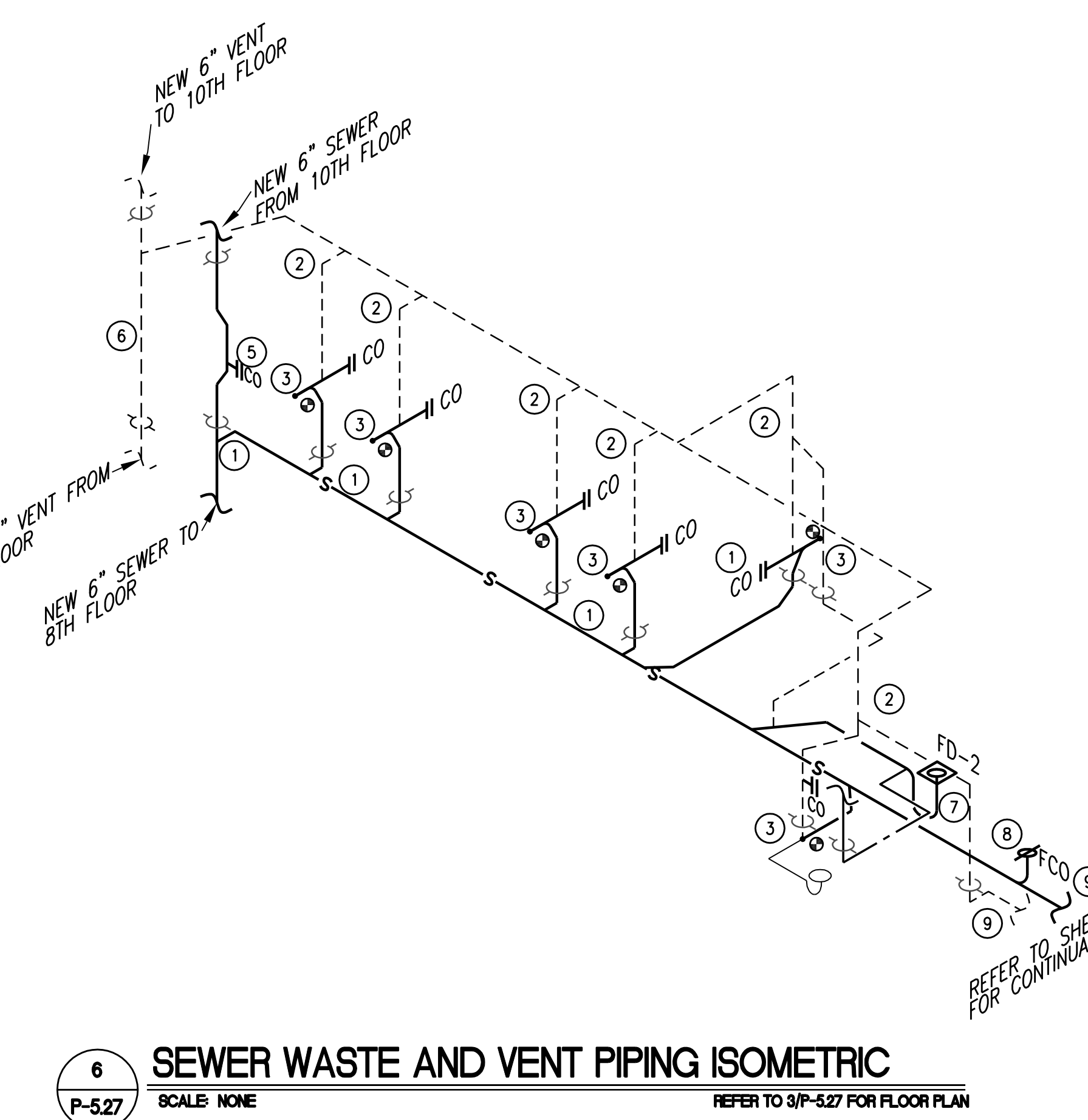
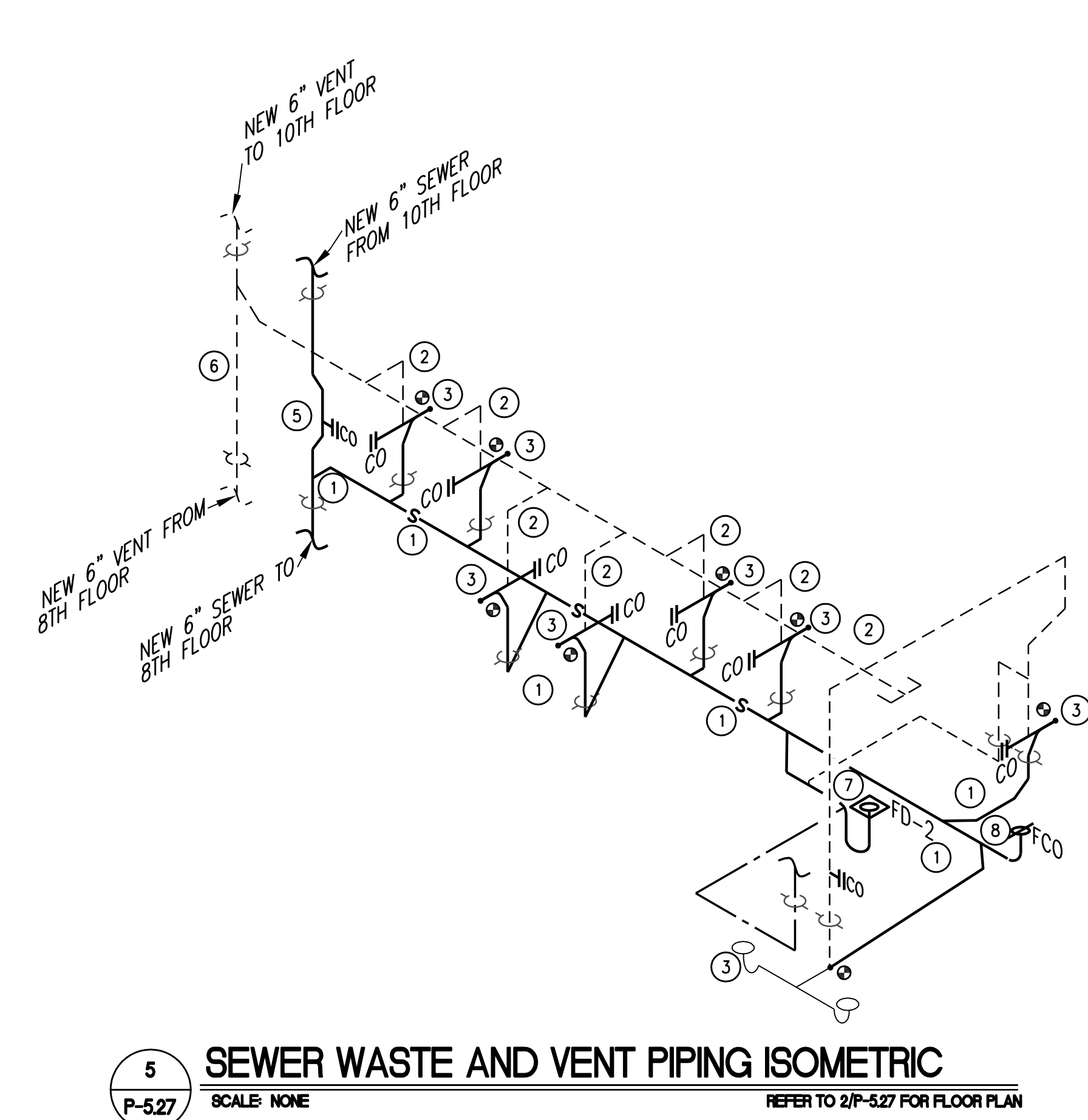
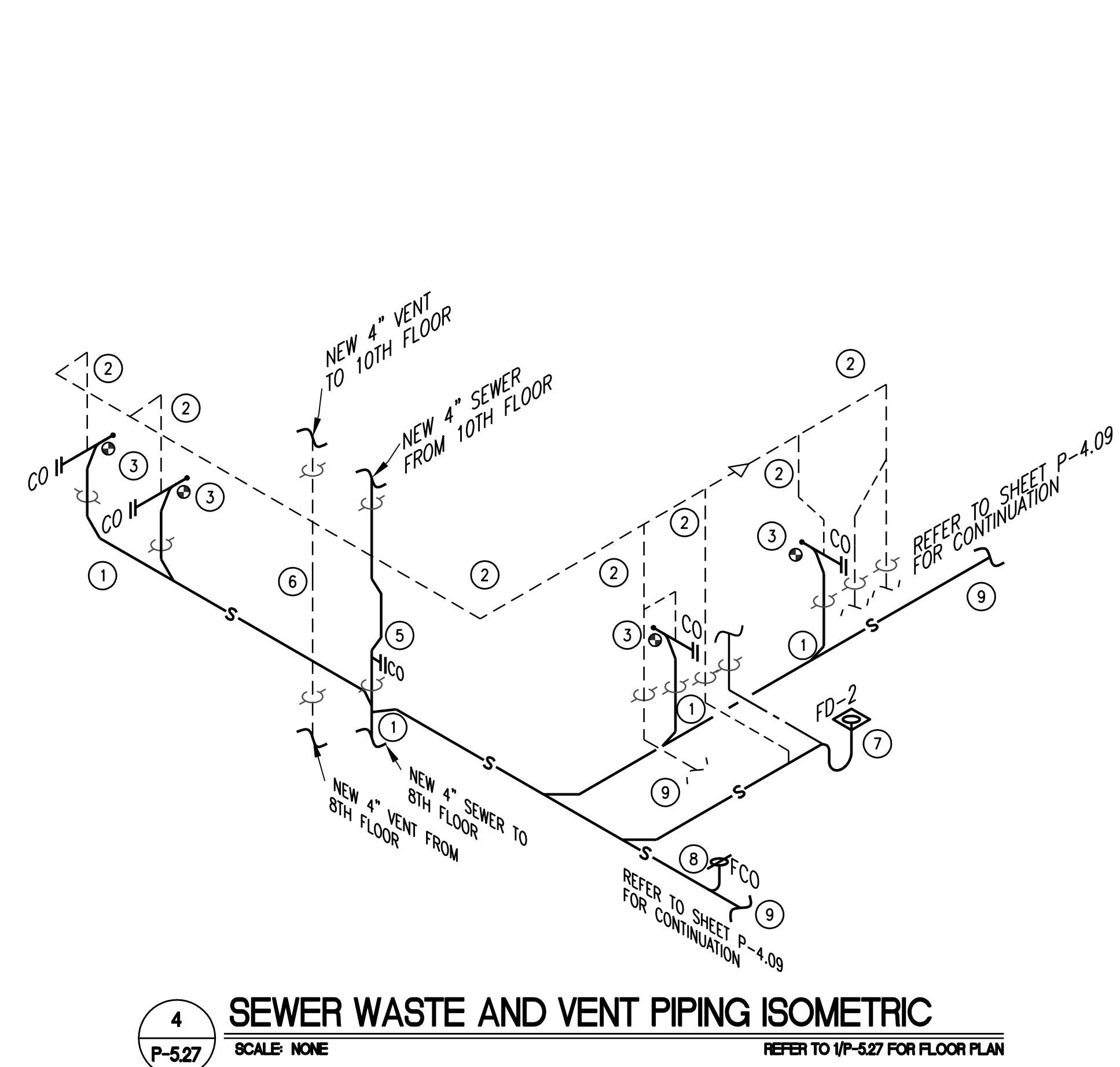
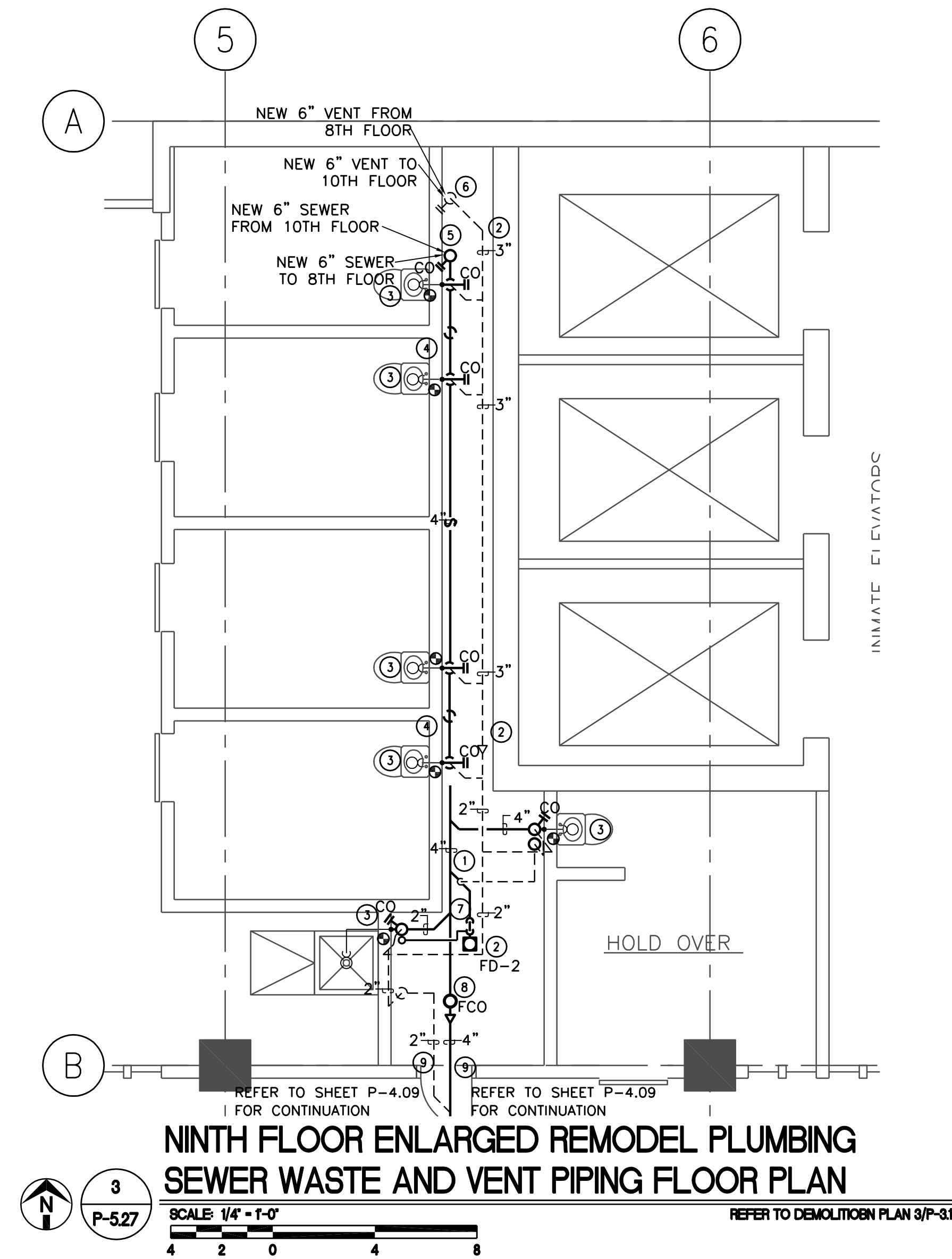
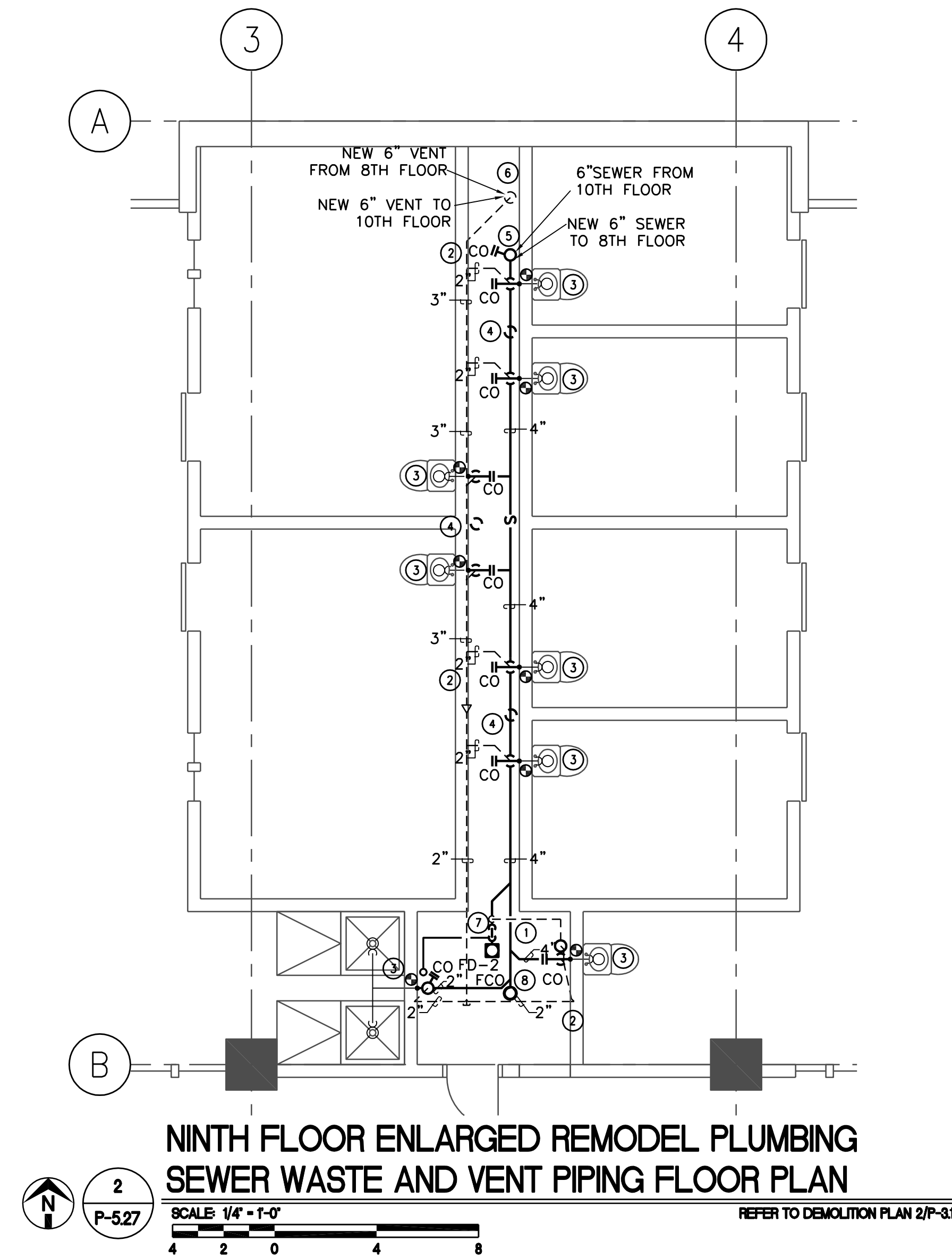
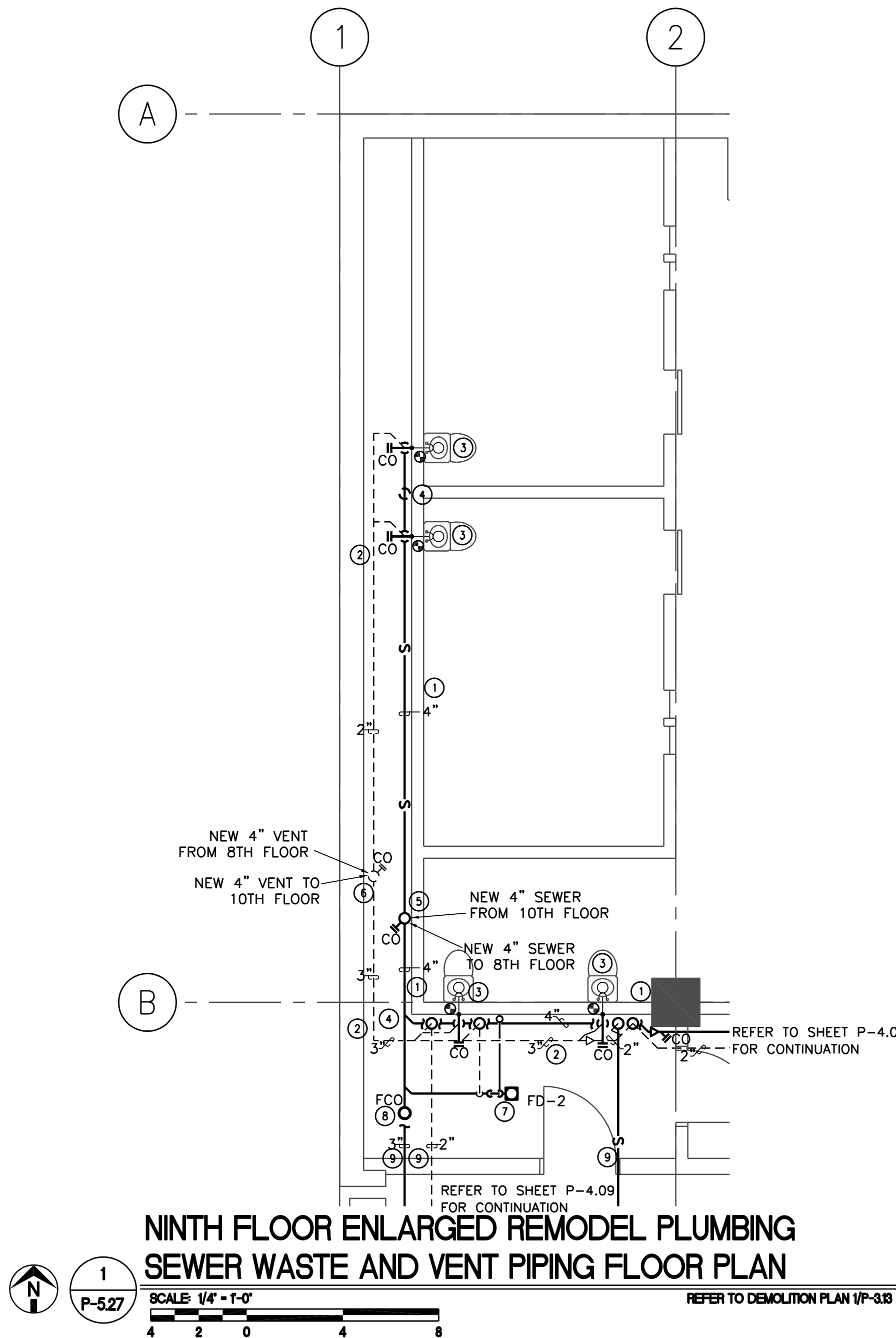
SCALE: NONE

Project:	UPGRADE AND REPLACE THE SANITARY SEWER SYSTEM AT THE EL PASO COUNTY DETENTION FACILITY
Location:	601 E OVERLAND STREET EL PASO, TEXAS
Job Number:	ETC-2108022
Date:	11/23/2021
Scale:	AS SHOWN
Sheet:	P-5.26
Bl of: X	
Revision Description:	
Rev.#/Date	Initial
	ETC
Designed By:	ETC
Drawn By:	ETC
Checked By:	ETC

THIS DOCUMENT, WHETHER IN HARD COPY OR MACHINE READABLE FORMAT, IS COPYRIGHTED AND AN INSTRUMENT OF SERVICES IN RESPECT TO THE PROJECT FOR WHICH IT WAS PREPARED. THIS DOCUMENT IS NOT INTENDED OR AUTHORIZED FOR REUSE BY ANY PARTY ON EXTENSIONS OF SUCH PROJECT OR ANY OTHER PROJECT ANY REUSE, INCLUDING COPYING AND/OR MODIFYING THE DOCUMENT, WITHOUT WRITTEN PERMISSION FROM EMC ENGINEERS FOR THE SPECIFIC PURPOSE INTENDED IS A VIOLATION OF FEDERAL COPYRIGHT LAW. UNAUTHORIZED USE OF THIS MATERIAL MAY RESULT IN CIVIL AND/OR CRIMINAL PENALTIES. COPY RIGHT 2013 EMC ENGINEERS.



THE SEAL APPEARING ON THIS DOCUMENT WAS AUTHORIZED BY MELVIN G. GLASS, P.E. #64935 OF EMC ENGINEERS (TEXAS FIRM REG. #2491) ON JANUARY 28, 2022. ALTERATION OF A SEALED DOCUMENT WITHOUT PROPER NOTIFICATION TO THE RESPONSIBLE ENGINEER IS AN OFFENSE UNDER THE TEXAS ENGINEERING PRACTICE ACT.



REMODEL PLUMBING GENERAL NOTES:

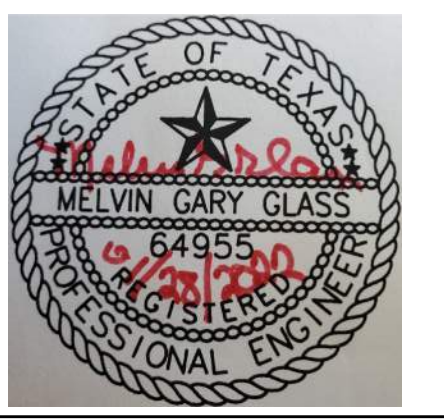
- THE INTENT IS TO REMODEL REPLACEMENT OF THE SEWER AND VENTING SYSTEMS FOR THE FACILITY. THIS FACILITY IS A 24/7 SECURED OPERATION FACILITY, SO THE CONTRACTOR SHALL COORDINATE ALL DEMOLITION AND REMODEL WORK WITH THE DETENTION PERSONNEL.
- SOME PLUMBING CHASES CONTAIN MECHANICAL DUCTWORK. THE CONTRACTOR SHALL COORDINATE THE INSTALLATION OF NEW SEWER AND VENT PIPING WITH THIS DUCTWORK.

REMODEL PLUMBING KEYED NOTES:

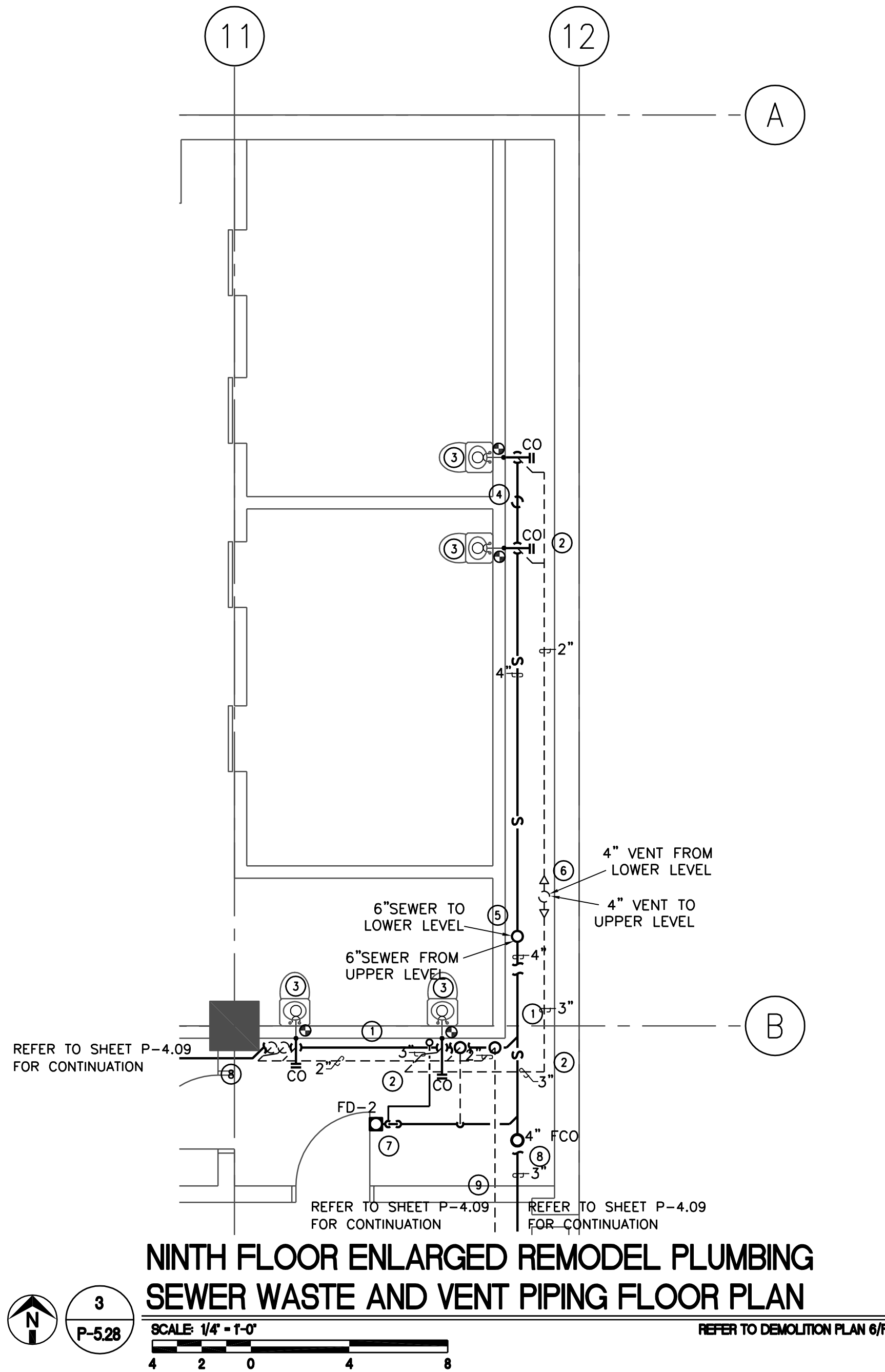
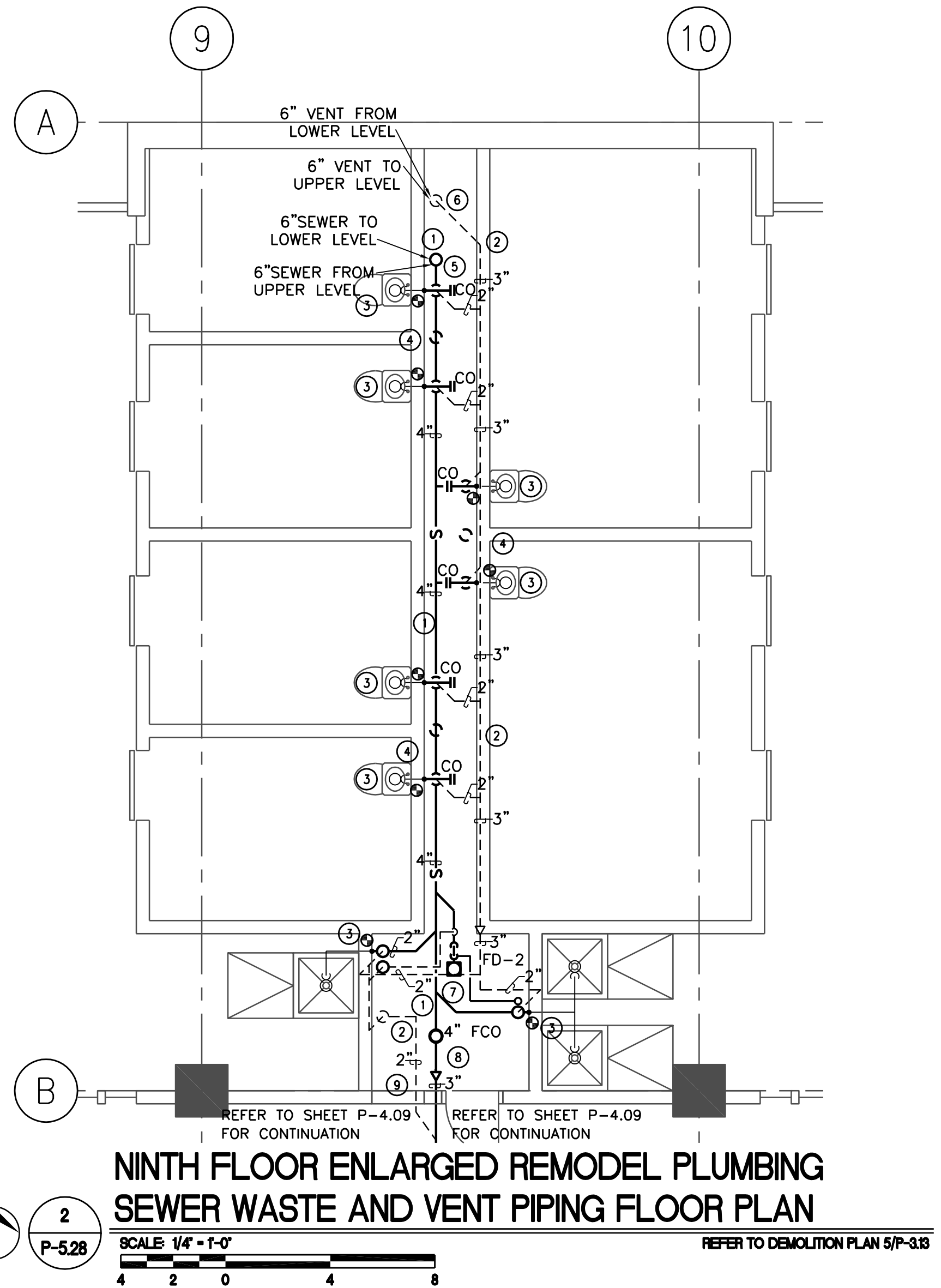
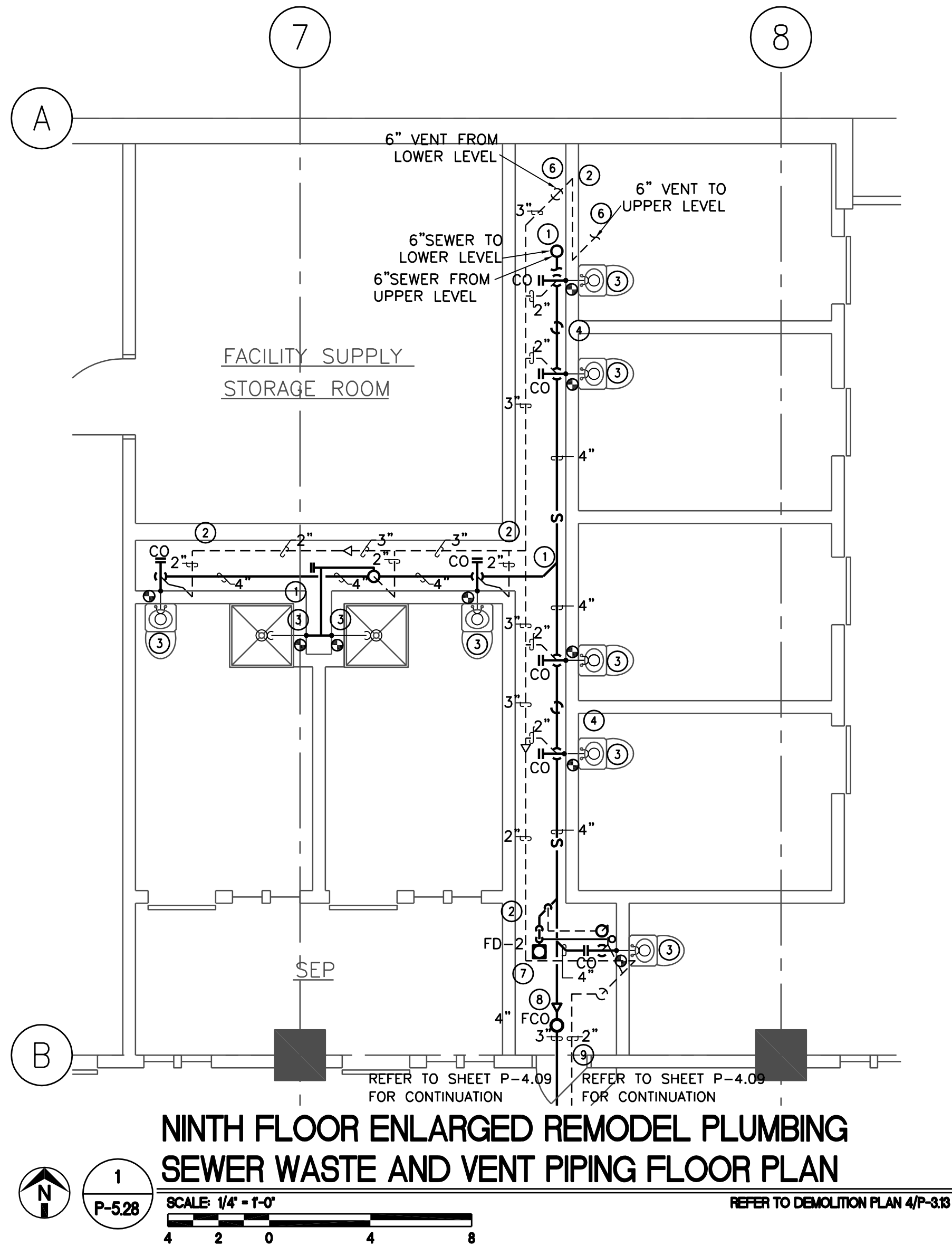
- REPLACE EXISTING SEWER WITH NEW SEWER PIPING AT SIZE AS INDICATED. INSTALL AND SUPPORT PIPING PER SCHEMATICS 8/P1.01, 9/P-1.01 AND 12/P-1.01.
- REPLACE EXISTING VENT WITH NEW VENT PIPING AT SIZE AS INDICATED. INSTALL AND SUPPORT PIPING PER SCHEMATICS 8/P1.01, 9/P-1.01 AND 12/P-1.01.
- EXISTING SEWER AND VENT PIPING FROM STAND ALONE WC, FLOOR DRAINS, AND SHOWER ASSEMBLY FIXTURE IS TO REMAIN AND BE RECONNECTED TO THE NEW SEWER MAIN AT WALL/FLOOR PENETRATION AS INDICATED.
- EXISTING FLOOR PENETRATION TO BE FILLED IN WITH CONCRETE TO SEAL THE OPENING.
- NEW MAIN SEWER RISER PIPING IS TO REPLACE THE EXISTING RISER IN THE SAME PLACE IN CHASE TO BE INSTALLED IN SAME LOCATION OF EXISTING MAIN SEWER RISER PIPING. REFER TO SCHEMATIC 8/P-1.01 FOR FLOOR PENETRATION. OFFSET SEWER RISER PER SCHEMATIC 10/P-1.01.
- NEW MAIN VENT RISER PIPING IS TO REPLACE THE EXISTING RISER IN THE SAME PLACE IN CHASE TO BE INSTALLED IN SAME LOCATION OF EXISTING MAIN VENT RISER PIPING. REFER TO SCHEMATIC 8/P-1.01 FOR FLOOR PENETRATION.
- NEW FLOOR DRAIN (FD-2) TO BE INSTALLED IN PLUMBING CHASE. REFER TO 11/P-1.01 FOR FURTHER INFORMATION.
- NEW FLOOR CLEANOUT (FCO) TO BE INSTALLED PER SCHEMATIC 1/P1.01.
- PIPING PENETRATION WALL PER SCHEMATIC 7/P1.01.

THIS DOCUMENT, WHETHER IN HARD COPY OR MACHINE READABLE FORMAT, IS COPYRIGHTED AND AN INSTRUMENT OF SERVICES IN RESPECT TO THE PROJECT FOR WHICH IT WAS PREPARED. THIS DOCUMENT IS NOT INTENDED OR AUTHORIZED FOR REUSE BY ANY PARTY ON EXTENSIONS OF SUCH PROJECT OR ANY OTHER PROJECT. ANY REUSE, INCLUDING COPYING AND/OR MODIFYING THE DOCUMENT, WITHOUT WRITTEN PERMISSION FROM EMC ENGINEERS FOR THE SPECIFIC PURPOSE INTENDED IS A VIOLATION OF FEDERAL COPYRIGHT LAW. UNAUTHORIZED USE OF THIS MATERIAL MAY RESULT IN CIVIL AND/OR CRIMINAL PENALTIES.
COPY RIGHT 2013 EMC ENGINEERS.

Project:	UPGRADE AND REPLACE THE SANITARY SEWER SYSTEM AT THE EL PASO COUNTY DETENTION FACILITY
Location:	601 E OVERLAND STREET EL PASO, TEXAS
Job Number:	ETC-2108022
Date:	11/23/2021
Scale:	A5 SHOWN
Sheet:	P-5.27
82 of:	X



THE SEAL APPEARING ON THIS DOCUMENT WAS AUTHORIZED BY MELVIN G. GLASS, P.E. #64935 OF EMC ENGINEERS (TEXAS FIRM REG. #2491) ON JANUARY 28, 2022. ALTERATION OF A SEALED DOCUMENT WITHOUT PROPER NOTIFICATION TO THE RESPONSIBLE ENGINEER IS AN OFFENSE UNDER THE TEXAS ENGINEERING PRACTICE ACT.

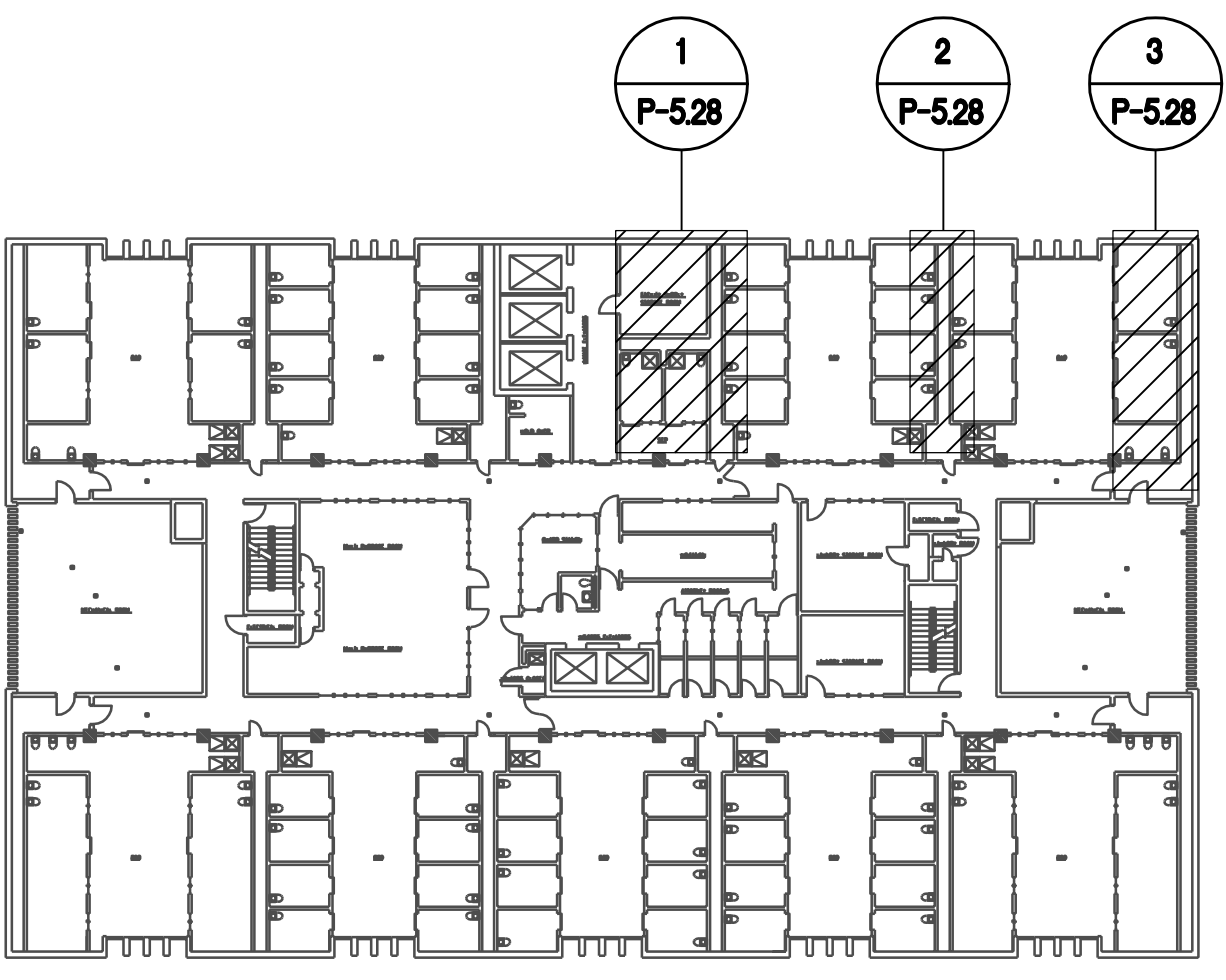
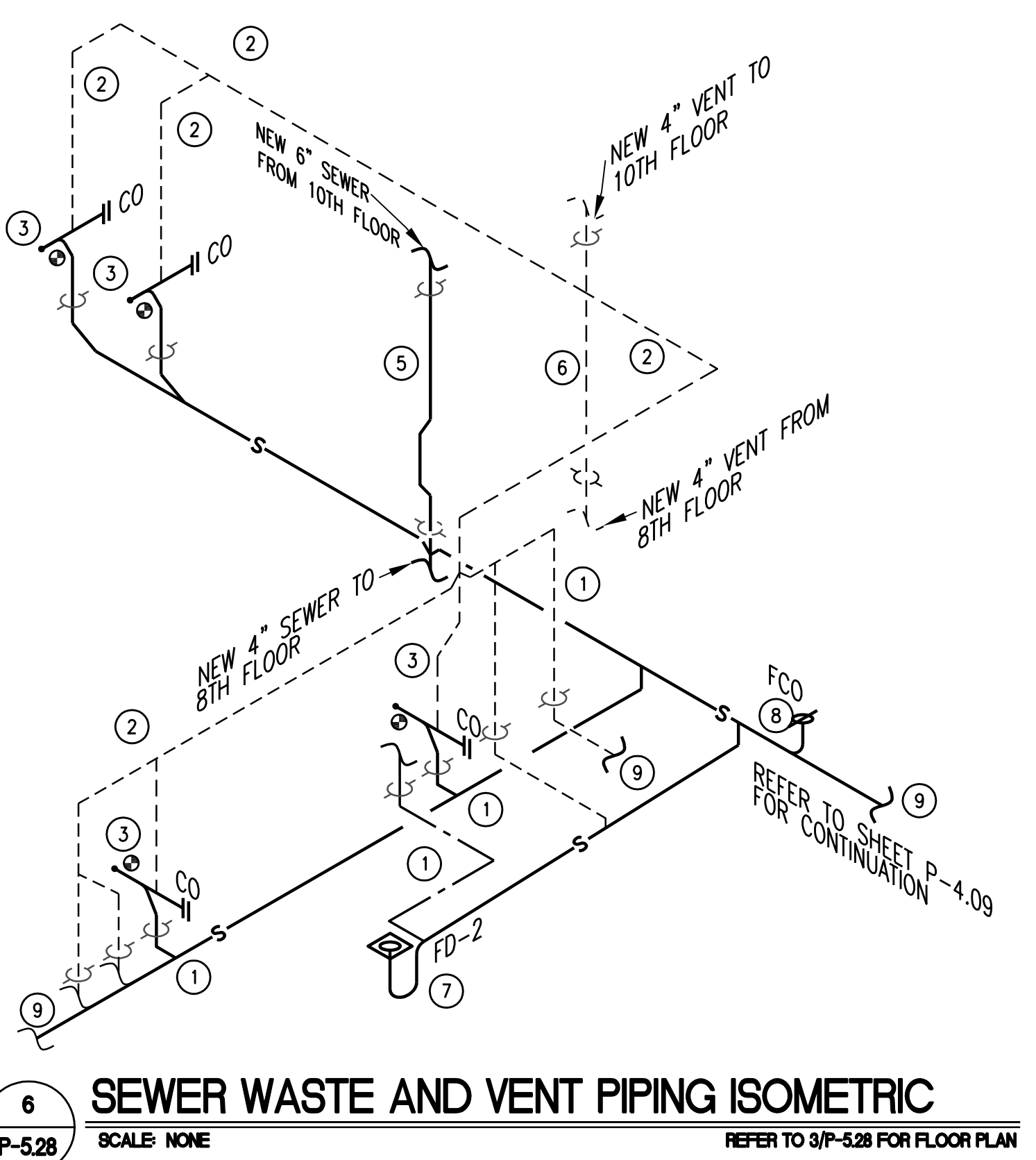
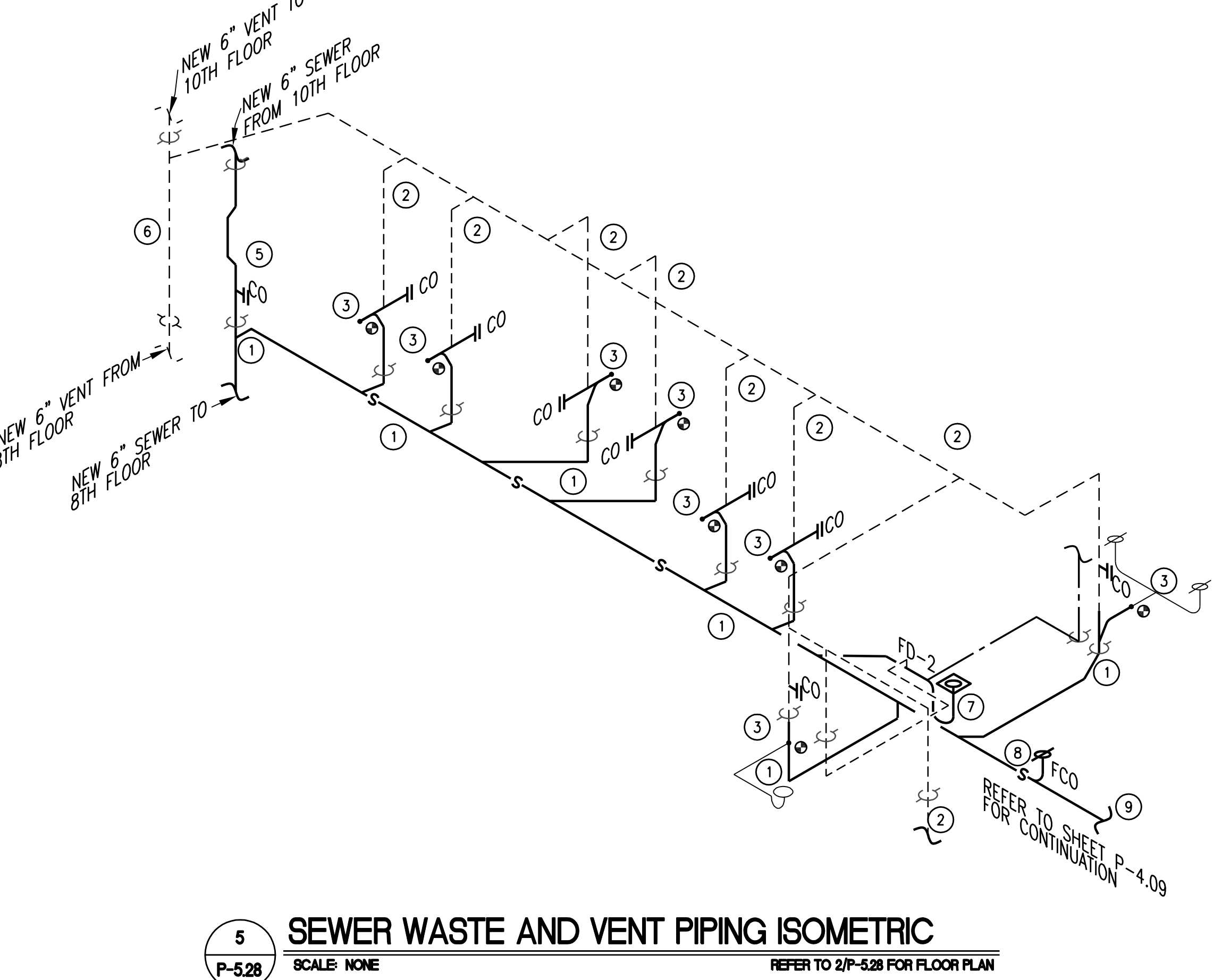
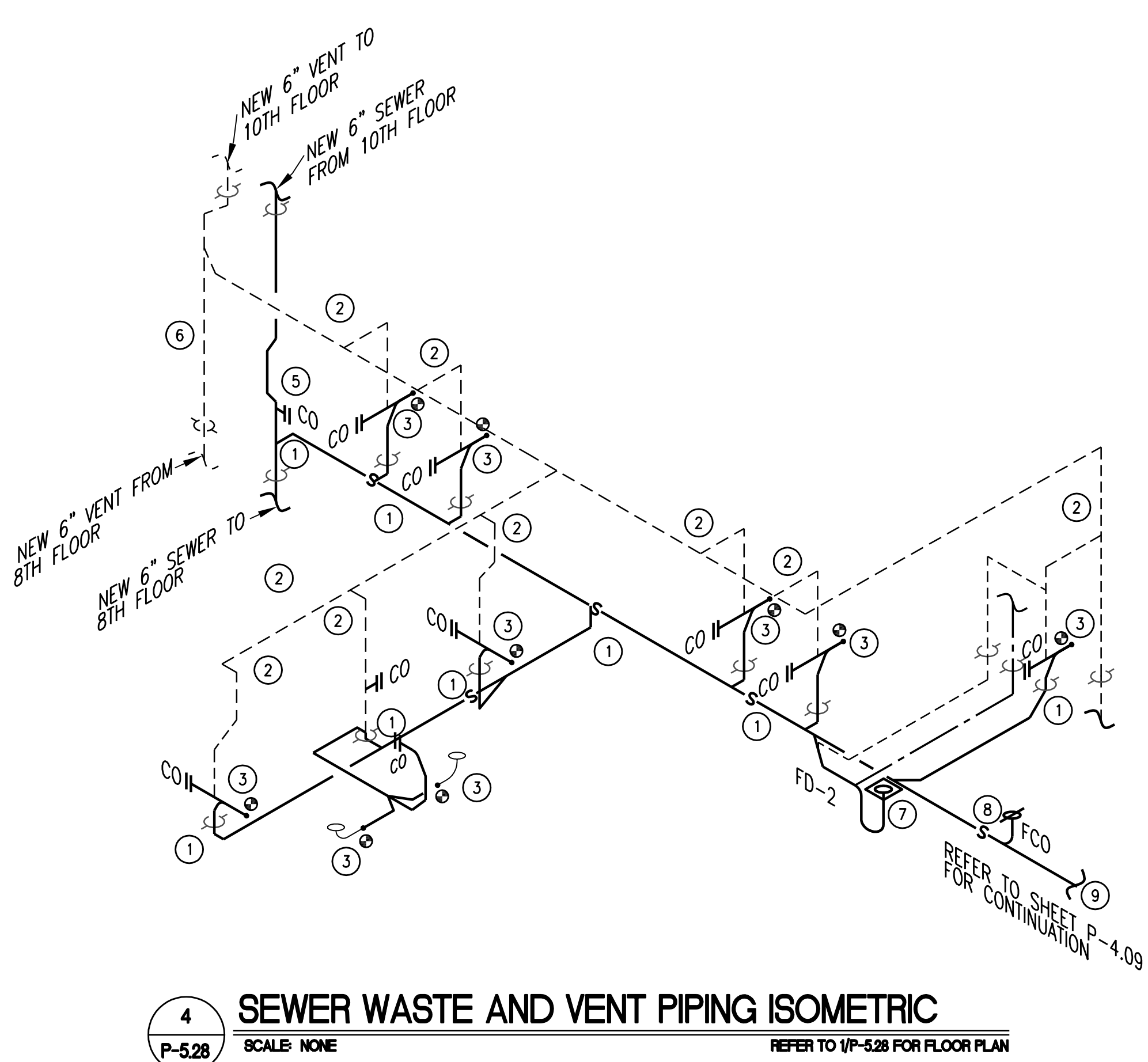


REMODEL PLUMBING GENERAL NOTES:

- 1 THE INTENT IS TO REMODEL REPLACEMENT OF THE SEWER AND VENTING SYSTEMS FOR THE FACILITY. THIS FACILITY IS A 24/7 SECURED OPERATION FACILITY, SO THE CONTRACTOR SHALL COORDINATE ALL DEMOLITION AND REMODEL WORK WITH THE DETENTION PERSONNEL.
- 2 SOME PLUMBING CHASES CONTAIN MECHANICAL DUCTWORK. THE CONTRACTOR SHALL COORDINATE THE INSTALLATION OF NEW SEWER AND VENT PIPING WITH THIS DUCTWORK.

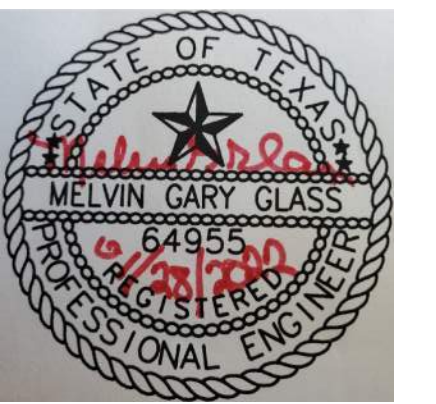
REMODEL PLUMBING KEYED NOTES:

- 1 REPLACE EXISTING SEWER WITH NEW SEWER PIPING AT SIZE AS INDICATED INSTALL AND SUPPORT PIPING PER SCHEMATICS 8/P1.01, 9/P-1.01 AND 12/P-1.01.
- 2 REPLACE EXISTING VENT WITH NEW VENT PIPING AT SIZE AS INDICATED INSTALL AND SUPPORT PIPING PER SCHEMATICS 8/P1.01, 9/P-1.01 AND 12/P-1.01.
- 3 EXISTING SEWER AND VENT PIPING FROM STAND ALONE WC, FLOOR DRAINS, AND SHOWER ASSEMBLY FIXTURE IS TO REMAIN AND BE RECONNECTED TO THE NEW SEWER MAIN AT WALL/FLOOR PENETRATION AS INDICATED.
- 4 EXISTING FLOOR PENETRATION TO BE FILLED IN WITH CONCRETE TO SEAL THE OPENING.
- 5 NEW MAIN SEWER RISER PIPING IS TO REPLACE THE EXISTING RISER IN THE SAME PLACE IN CHASE TO BE INSTALLED IN SAME LOCATION OF EXISTING MAIN SEWER RISER PIPING, REFER TO SCHEMATIC 8/P-1.01 FOR FLOOR PENETRATION. OFFSET SEWER RISER PER SCHEMATIC 10/P-1.01.
- 6 NEW MAIN VENT RISER PIPING IS TO REPLACE THE EXISTING RISER IN THE SAME PLACE IN CHASE TO BE INSTALLED IN SAME LOCATION OF EXISTING MAIN VENT RISER PIPING, REFER TO SCHEMATIC 8/P-1.01 FOR FLOOR PENETRATION.
- 7 NEW FLOOR DRAIN (FD-2) TO BE INSTALLED IN PLUMBING CHASE, REFER TO 11/P-1.01 FOR FURTHER INFORMATION.
- 8 NEW FLOOR CLEANOUT (FCO) TO BE INSTALLED PER SCHEMATIC 1/P-1.01.
- 9 PIPING PENETRATION WALL PER SCHEMATIC 7/P1.01.

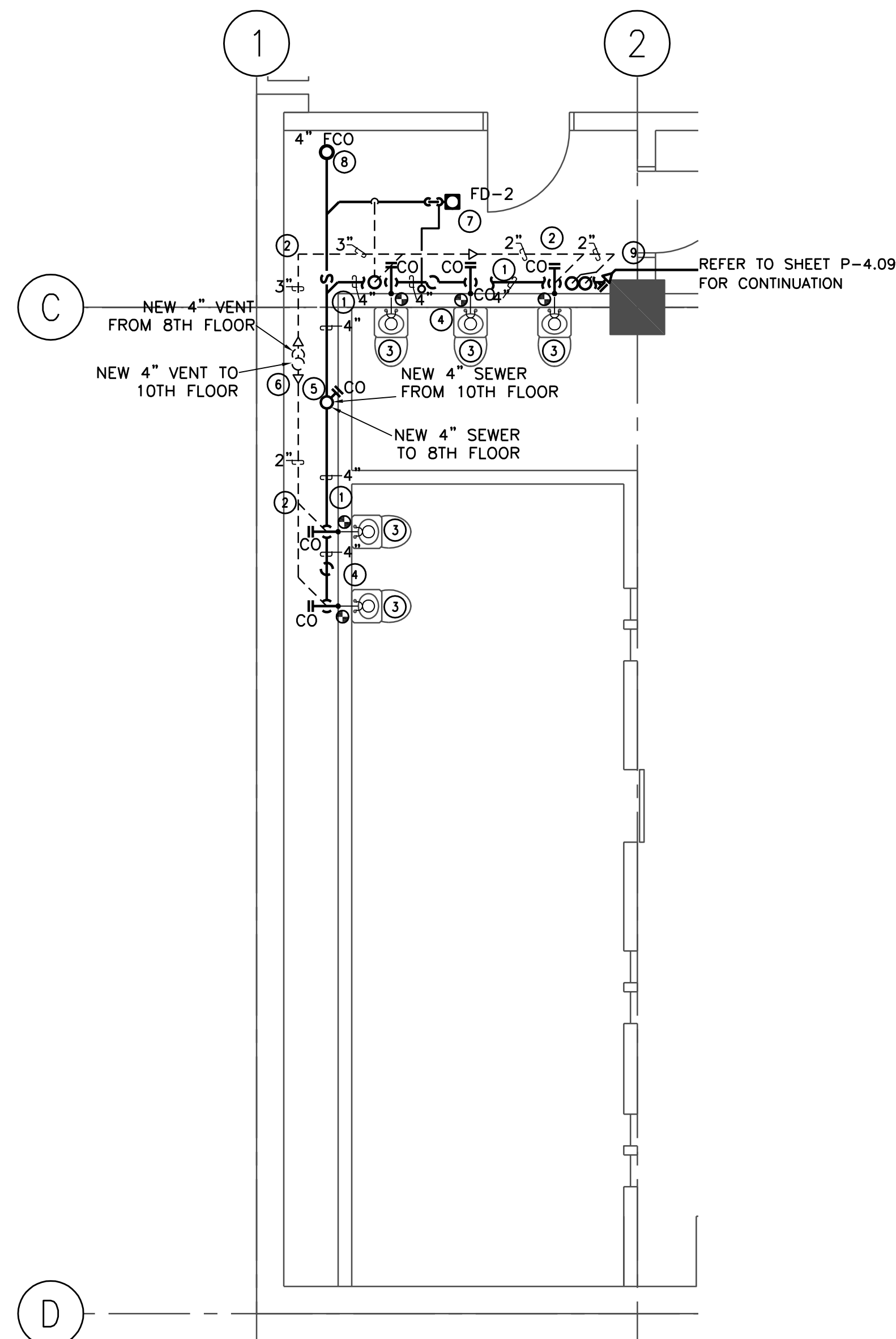


THIS DOCUMENT, WHETHER IN HARD COPY OR MACHINE READABLE FORMAT, IS COPYRIGHTED AND AN INSTRUMENT OF SERVICES IN RESPECT TO THE PROJECT FOR WHICH IT WAS PREPARED. THIS DOCUMENT IS NOT INTENDED OR AUTHORIZED FOR REUSE BY ANY PARTY ON EXTENSIONS OF SUCH PROJECT OR ANY OTHER PROJECT. ANY REUSE, INCLUDING COPYING AND/OR MODIFYING THE DOCUMENT, WITHOUT WRITTEN PERMISSION FROM EMC ENGINEERS FOR THE SPECIFIC PURPOSE INTENDED IS A VIOLATION OF FEDERAL COPYRIGHT LAW. UNAUTHORIZED USE OF THIS MATERIAL MAY RESULT IN CIVIL AND/OR CRIMINAL PENALTIES. COPY RIGHT 2013 EMC ENGINEERS.

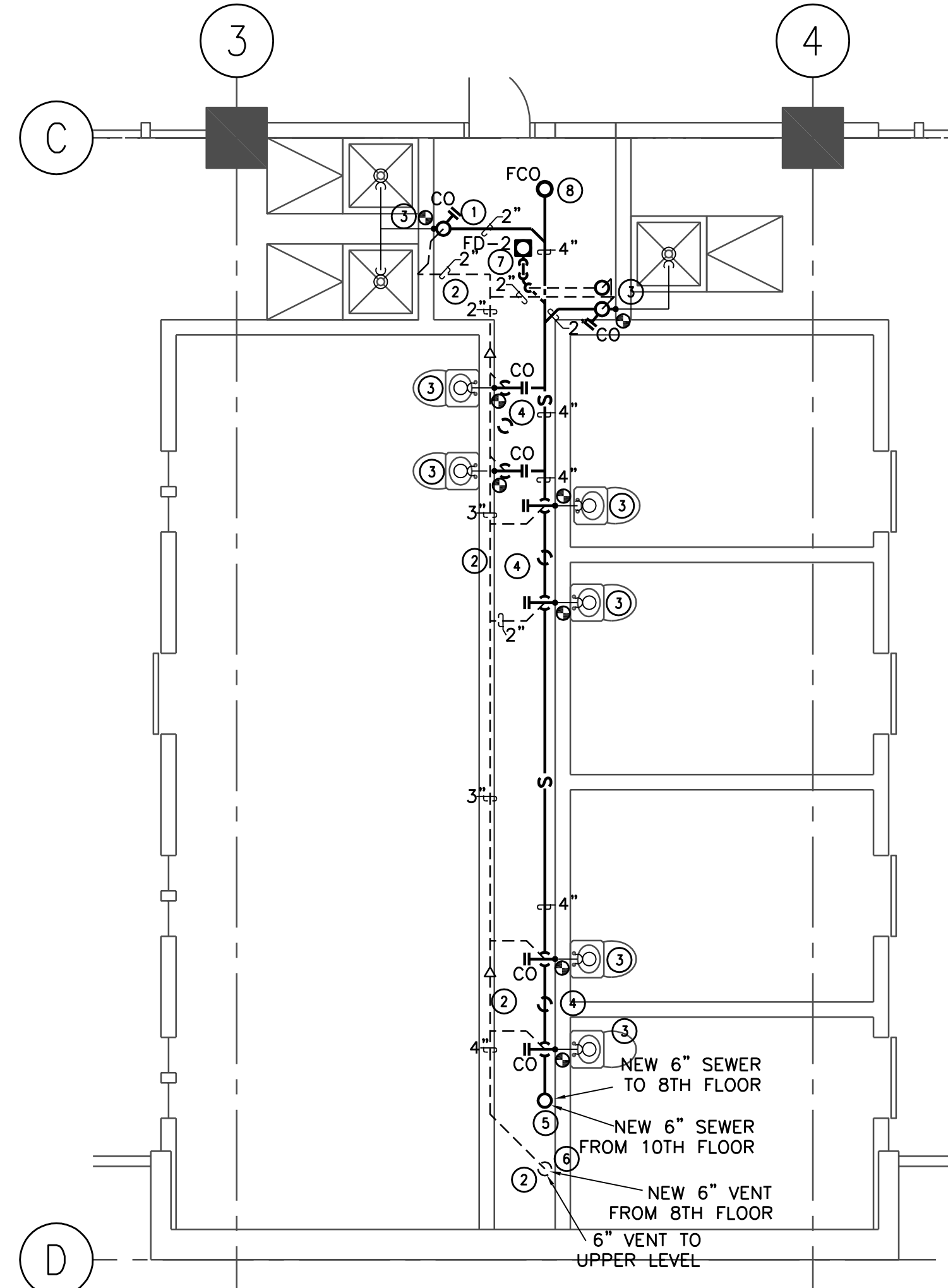
Project:	UPGRADE AND REPLACE THE SANITARY SEWER SYSTEM AT THE EL PASO COUNTY DETENTION FACILITY
Location:	601 E OVERLAND STREET EL PASO, TEXAS
Job Number:	EMC-2108022
Date:	11/23/2021
Scale:	A5 SHOWN
Sheet:	P-5.28
83 of:	X



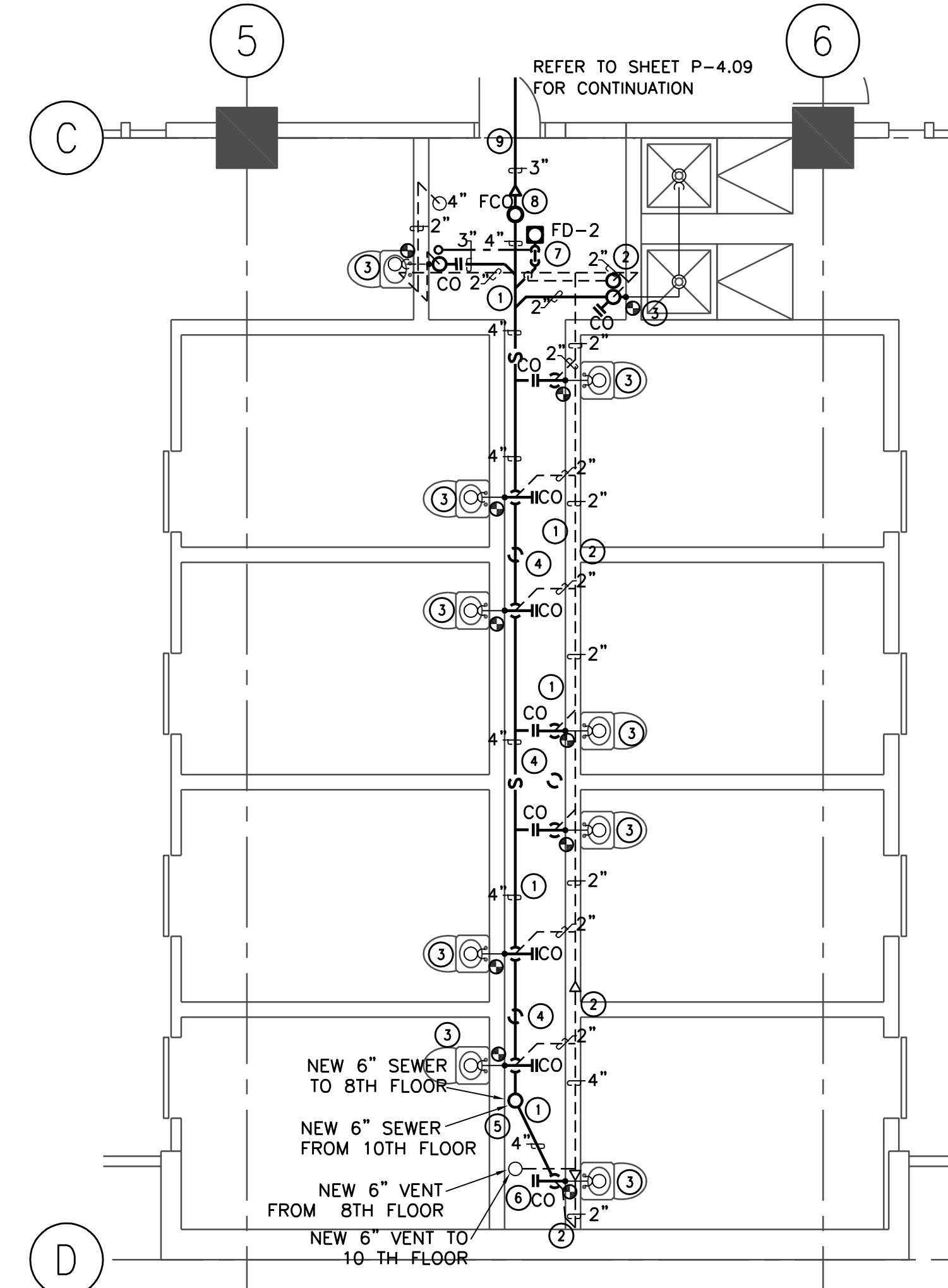
THE SEAL APPEARING ON THIS DOCUMENT WAS AUTHORIZED BY MELVIN G. GLASS, P.E. #64935 OF EMC ENGINEERS (TEAMS FIRM REG. #72491) ON JANUARY 28, 2022. ALTERATION OF A SEALED DOCUMENT WITHOUT PROPER NOTIFICATION TO THE RESPONSIBLE ENGINEER IS AN OFFENSE UNDER THE TEXAS ENGINEERING PRACTICE ACT.



1 NINTH FLOOR ENLARGED REMODEL PLUMBING SEWER WASTE AND VENT PIPING FLOOR PLAN
 SCALE: 1/4" = 1'-0"
 REFER TO DEMOLITION PLAN 1/P-314



2 NINTH FLOOR ENLARGED REMODEL PLUMBING SEWER WASTE AND VENT PIPING FLOOR PLAN
 SCALE: 1/4" = 1'-0"
 REFER TO DEMOLITION PLAN 2/P-314



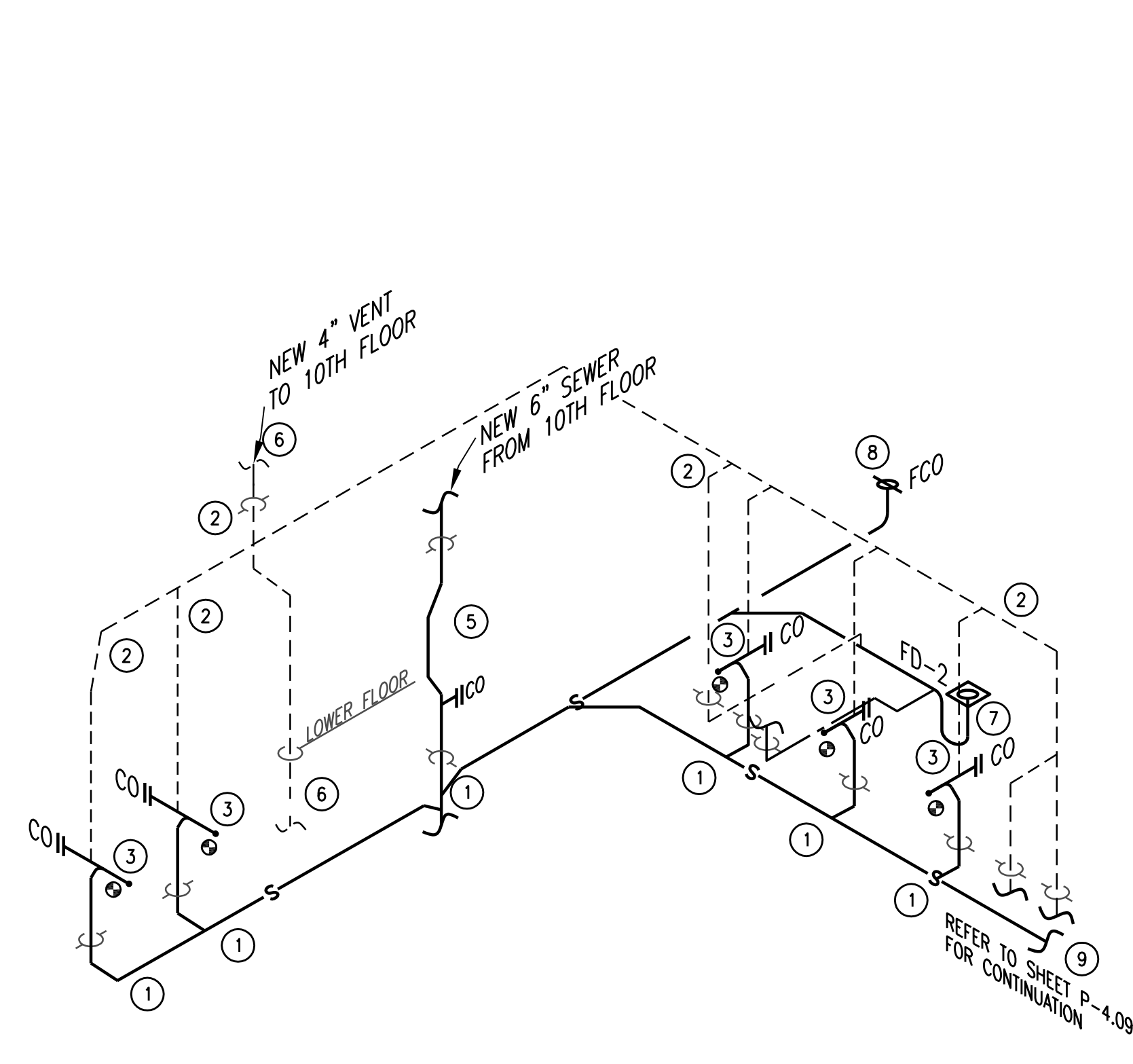
3 NINTH FLOOR ENLARGED REMODEL PLUMBING SEWER WASTE AND VENT PIPING FLOOR PLAN
 SCALE: 1/4" = 1'-0"
 REFER TO DEMOLITION PLAN 3/P-314

REMODEL PLUMBING GENERAL NOTES:

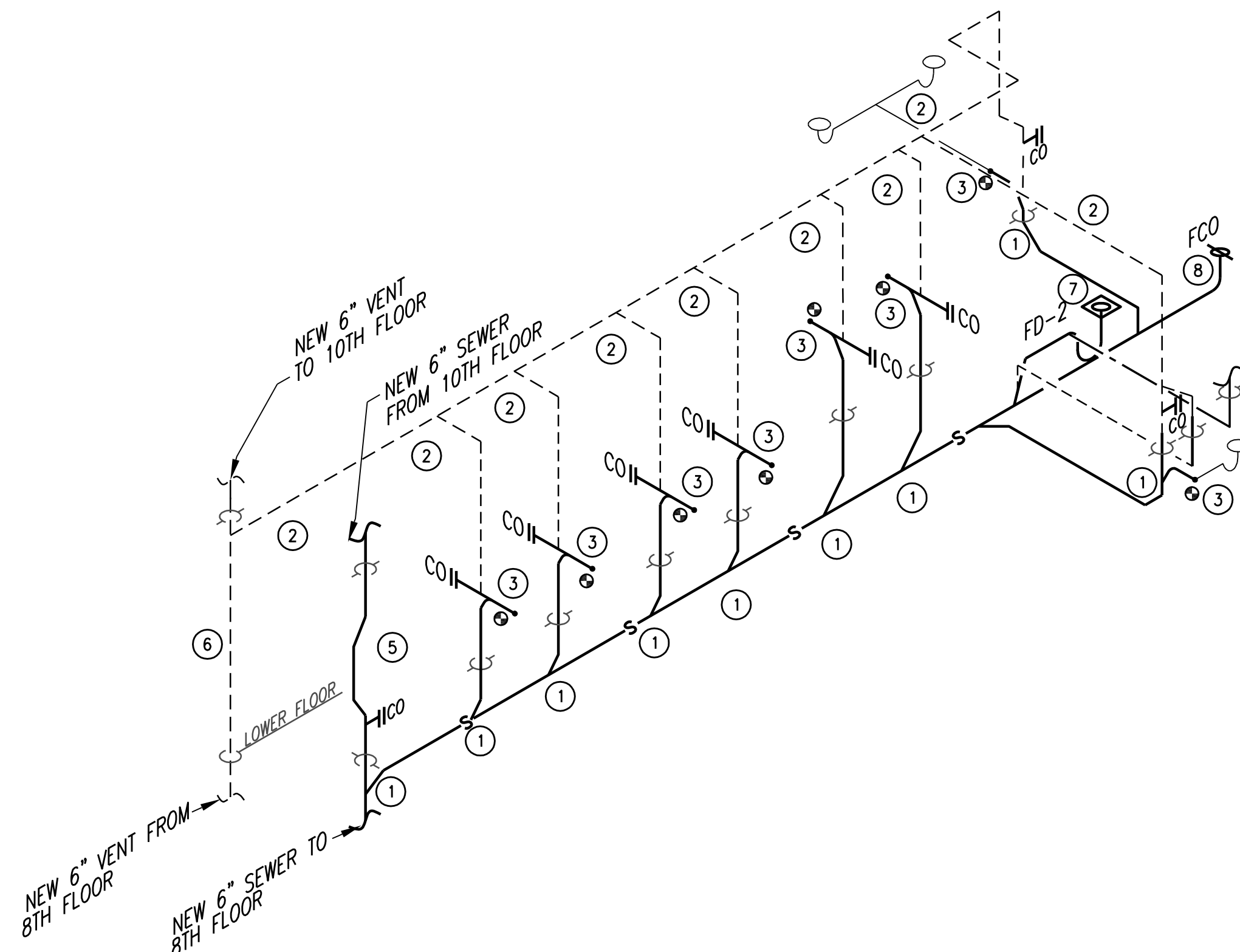
- 1 THE INTENT IS TO REMODEL REPLACEMENT OF THE SEWER AND VENTING SYSTEMS FOR THE FACILITY. THIS FACILITY IS A 24/7 SECURED OPERATION FACILITY, SO THE CONTRACTOR SHALL COORDINATE ALL DEMOLITION AND REMODEL WORK WITH THE DETENTION PERSONNEL.
- 2 SOME PLUMBING CHASES CONTAIN MECHANICAL DUCTWORK, THE CONTRACTOR SHALL COORDINATE THE INSTALLATION OF NEW SEWER AND VENT PIPING WITH THIS DUCTWORK.

REMODEL PLUMBING KEYED NOTES:

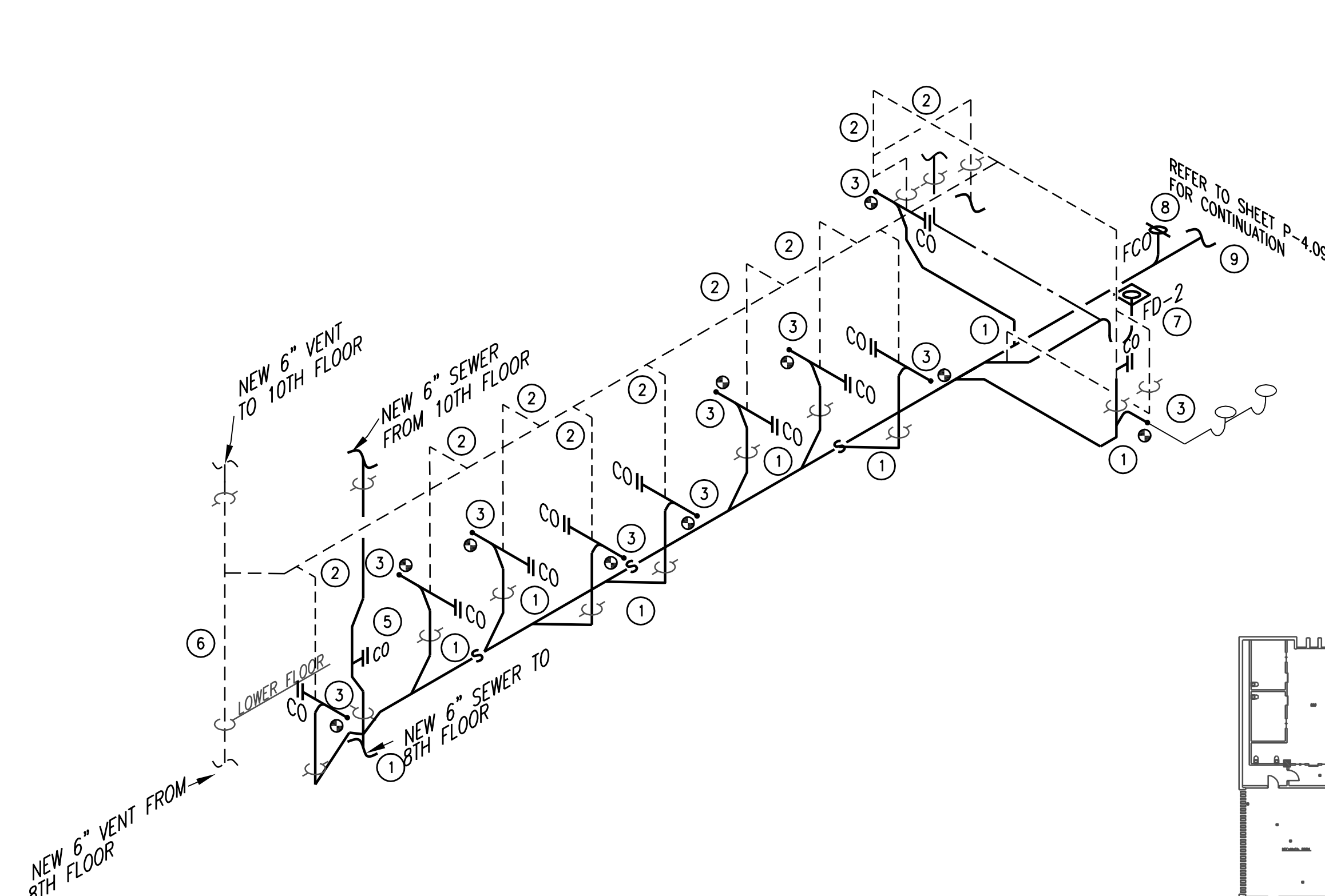
- 1 REPLACE EXISTING SEWER WITH NEW SEWER PIPING AT SIZE AS INDICATED INSTALL AND SUPPORT PIPING PER SCHEMATICS 8/P1.01, 9/P-1.01 AND 12/P-1.01.
- 2 REPLACE EXISTING VENT WITH NEW VENT PIPING AT SIZE AS INDICATED INSTALL AND SUPPORT PIPING PER SCHEMATICS 8/P1.01, 9/P-1.01 AND 12/P-1.01.
- 3 EXISTING SEWER AND VENT PIPING FROM STAND ALONE WC, FLOOR DRAINS, AND SHOWER ASSEMBLY FIXTURE IS TO REMAIN AND BE RECONNECTED TO THE NEW SEWER MAIN AT WALL/FLOOR PENETRATION AS INDICATED.
- 4 EXISTING FLOOR PENETRATION TO BE FILLED IN WITH CONCRETE TO SEAL THE OPENING.
- 5 NEW MAIN SEWER RISER PIPING IS TO REPLACE THE EXISTING RISER IN THE SAME PLACE IN CHASE TO BE INSTALLED IN SAME LOCATION OF EXISTING MAIN SEWER RISER PIPING, REFER TO SCHEMATIC 8/P-1.01 FOR FLOOR PENETRATION. OFFSET SEWER RISER PER SCHEMATIC 10/P-1.01.
- 6 NEW MAIN VENT RISER PIPING IS TO REPLACE THE EXISTING RISER IN THE SAME PLACE IN CHASE TO BE INSTALLED IN SAME LOCATION OF EXISTING MAIN VENT RISER PIPING, REFER TO SCHEMATIC 8/P-1.01 FOR FLOOR PENETRATION.
- 7 NEW FLOOR DRAIN (FD-2) TO BE INSTALLED IN PLUMBING CHASE, REFER TO 11/P-1.01 FOR FURTHER INFORMATION.
- 8 NEW FLOOR CLEANOUT (FCO) TO BE INSTALLED PER SCHEMATIC 1/P-1.01.
- 9 PIPING PENETRATION WALL PER SCHEMATIC 7/P1.01.



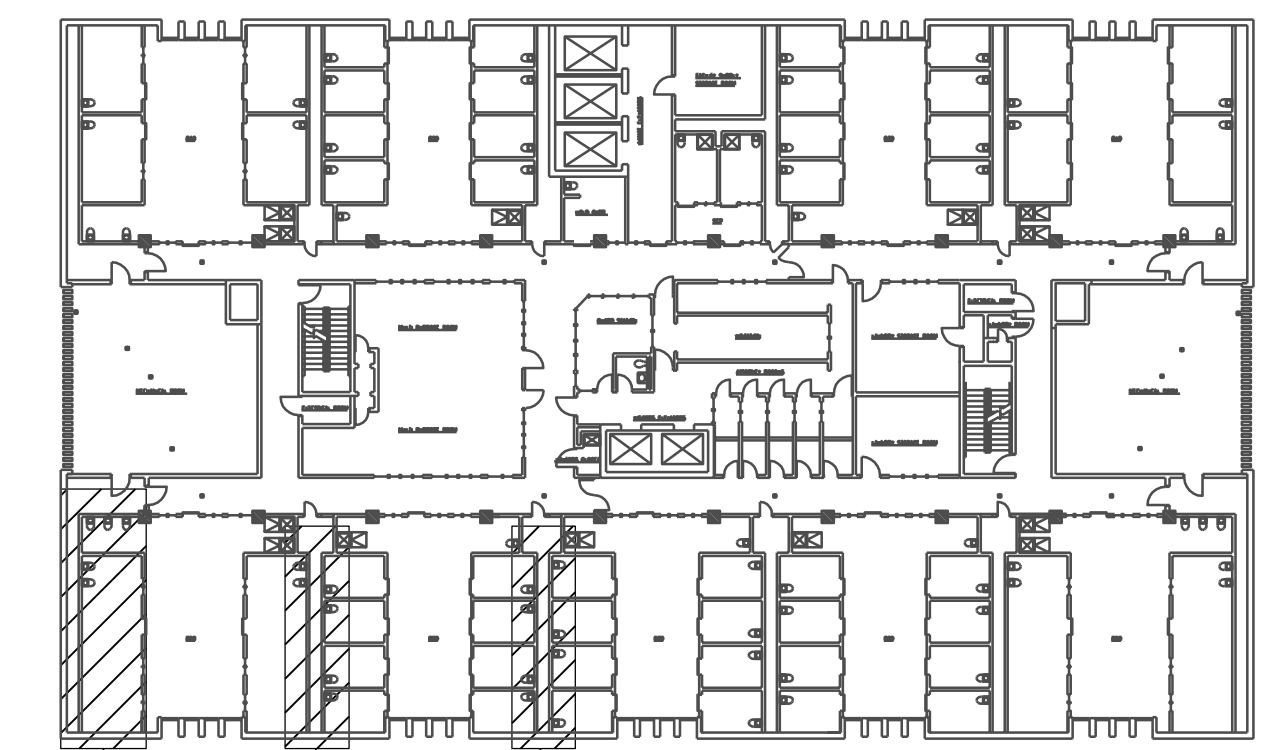
4 SEWER WASTE AND VENT PIPING ISOMETRIC
 SCALE: NONE
 REFER TO 1/P-529 FOR FLOOR PLAN



5 SEWER WASTE AND VENT PIPING ISOMETRIC
 SCALE: NONE
 REFER TO 2/P-529 FOR FLOOR PLAN



6 SEWER WASTE AND VENT PIPING ISOMETRIC
 SCALE: NONE
 REFER TO 3/P-529 FOR FLOOR PLAN



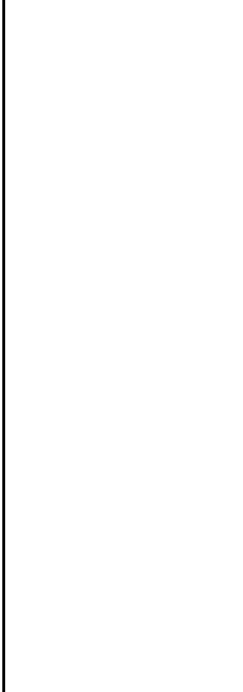
NINTH FLOOR KEY PLAN
 SCALE: NONE

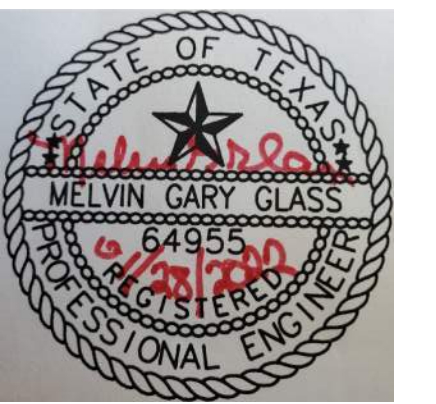
THIS DOCUMENT, WHETHER IN HARD COPY OR MACHINE READABLE FORMAT, IS COPYRIGHTED AND AN INSTRUMENT OF SERVICES IN RESPECT TO THE PROJECT FOR WHICH IT WAS PREPARED. THIS DOCUMENT IS NOT INTENDED OR AUTHORIZED FOR REUSE BY ANY PARTY ON EXTENSIONS OF SUCH PROJECT OR ANY OTHER PROJECT. ANY REUSE, INCLUDING COPYING AND/OR MODIFYING THIS DOCUMENT, WITHOUT WRITTEN PERMISSION FROM EMC ENGINEERS FOR THE SPECIFIC PURPOSE INTENDED IS A VIOLATION OF FEDERAL COPYRIGHT LAW. UNAUTHORIZED USE OF THIS MATERIAL MAY RESULT IN CIVIL AND/OR CRIMINAL PENALTIES.
 COPY RIGHT 2013 EMC ENGINEERS.

Project:	UPGRADE AND REPLACE THE SANITARY SEWER SYSTEM AT THE EL PASO COUNTY DETENTION FACILITY
Location:	601 E OVERLAND STREET EL PASO, TEXAS
Job Number:	EMC-2108022
Date:	11/23/2021
Scale:	A5 SHOWN
Sheet:	P-5.29
84 of: X	

Rev.#	Date	Initial	Description
1			EMC
2			EMC
3			EMC

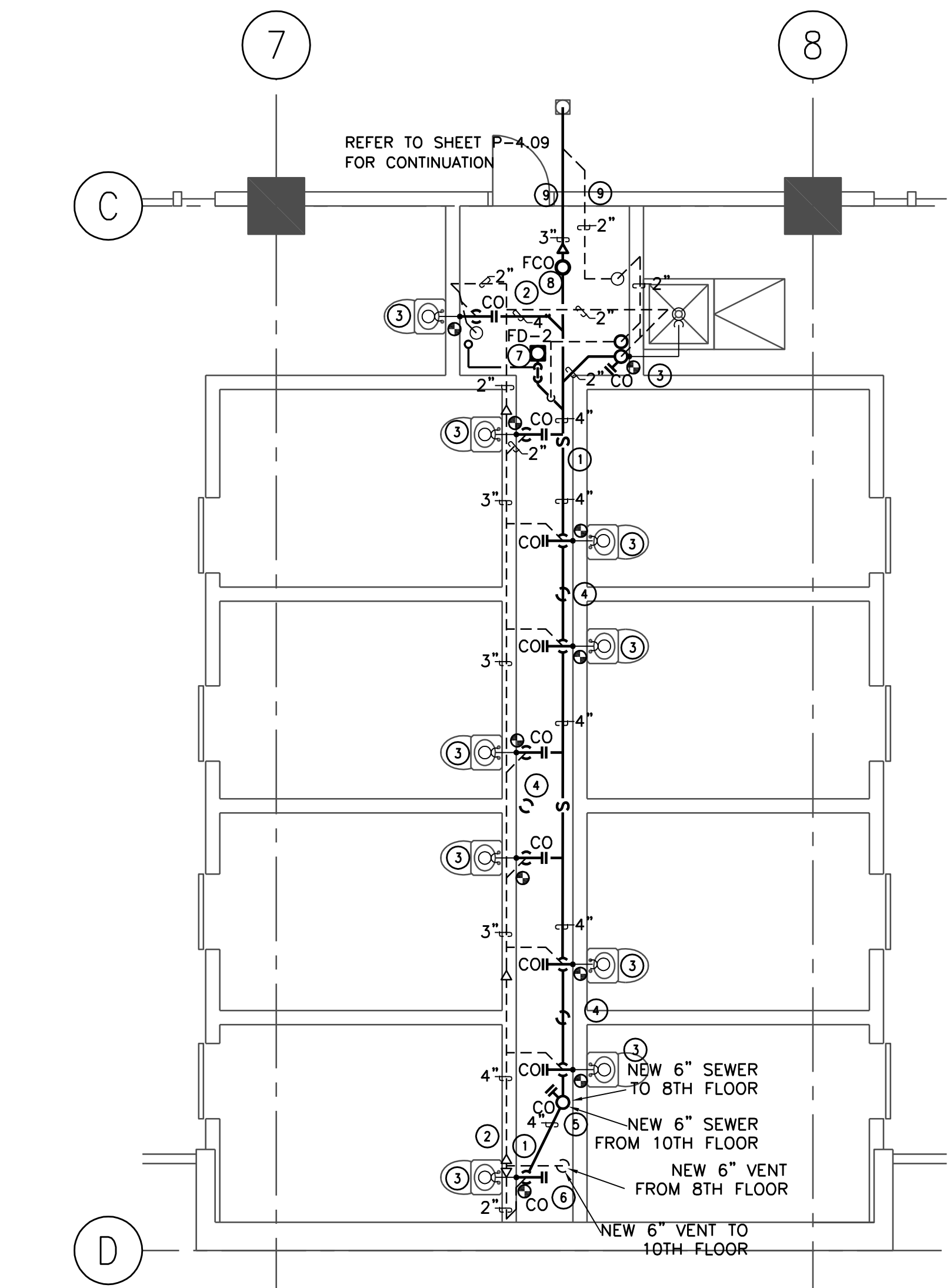
EMC ENGINEERS
 2311 E. BUSINESS AVENUE SUITE 100
 EL PASO, TEXAS 79902
 TEL: 915-781-2030
 FAX: 915-781-2035
 TEXAS FIRM REG. #4353
 ENGINEERING PROFESSIONAL CORPORATION



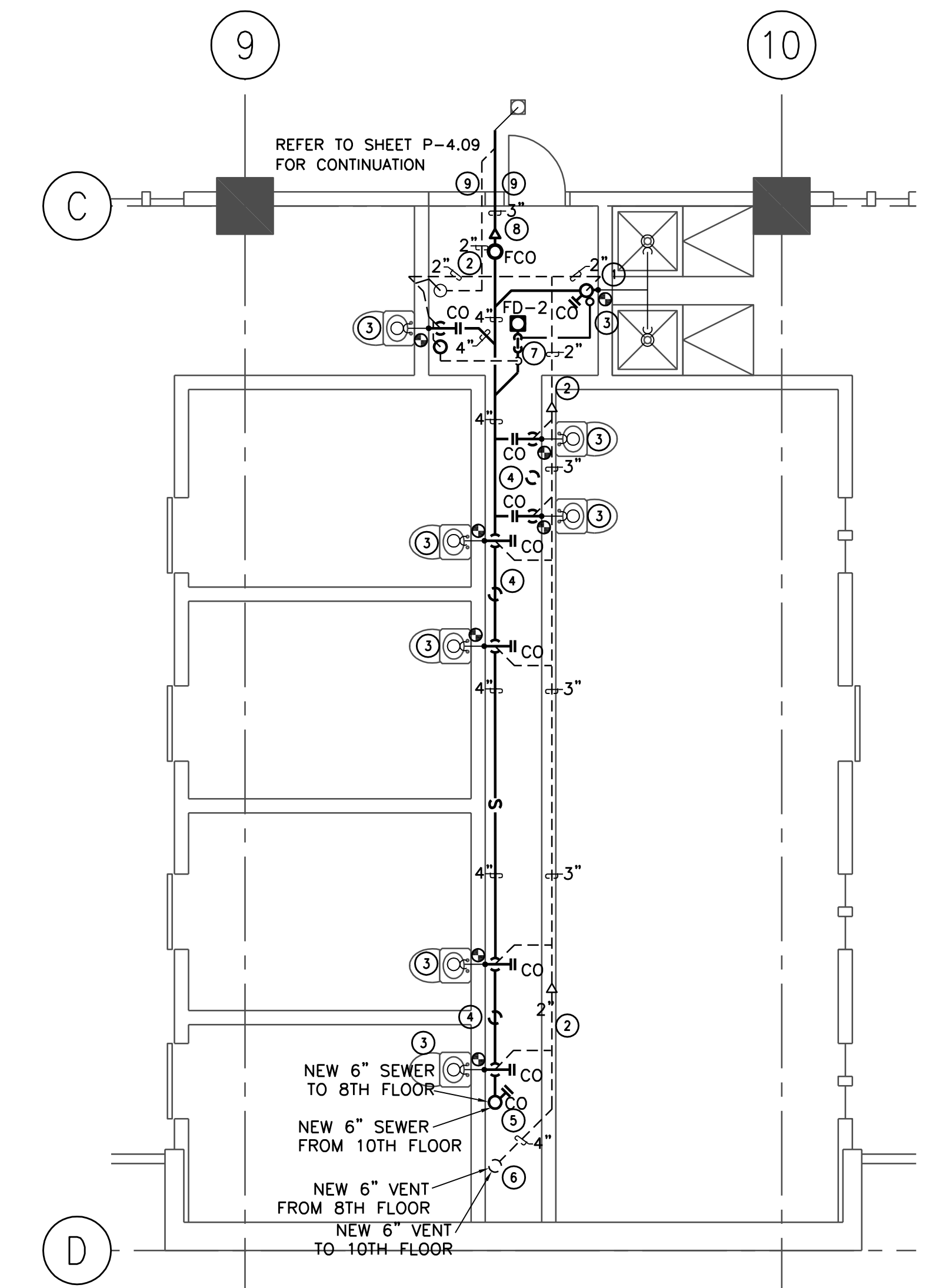


THE SEAL APPEARING ON THIS DOCUMENT WAS AUTHORIZED BY MELVIN G. GLASS, P.E. #64935 OF EMC ENGINEERS (TEAMS FIRM REG. #24991) ON JANUARY 28, 2022. ANY ALTERATION OF A SEALED DOCUMENT WITHOUT PROPER NOTIFICATION TO THE RESPONSIBLE ENGINEER IS AN OFFENSE UNDER THE TEXAS ENGINEERING PRACTICE ACT.

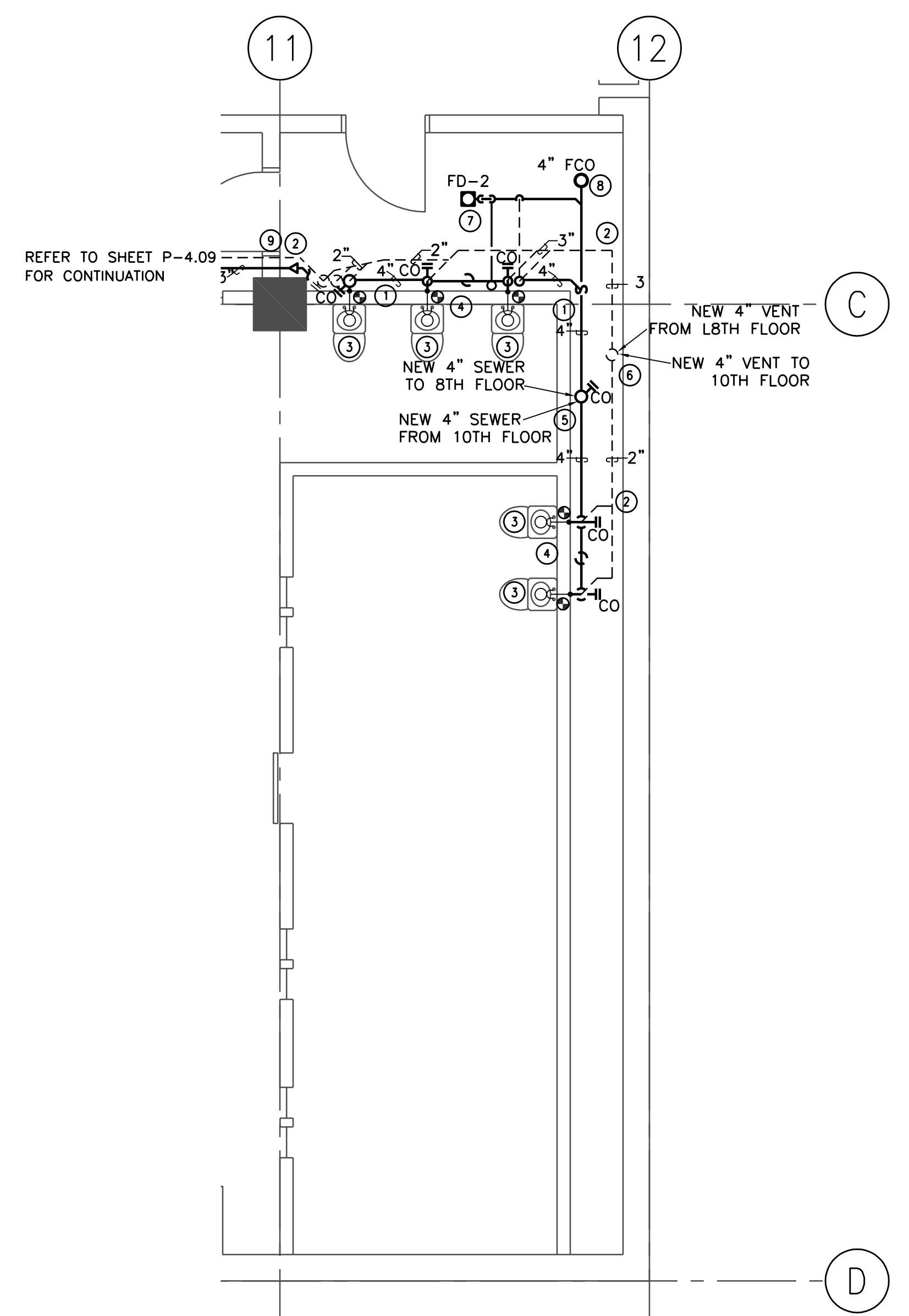
Project:	UPGRADE AND REPLACE THE SANITARY SEWER SYSTEM AT THE EL PASO COUNTY DETENTION FACILITY
Location:	601 E OVERLAND STREET EL PASO, TEXAS
Job Number:	ETC-2108022
Date:	11/23/2021
Scale:	A5 SHOWN
Sheet:	P-5.30
85 of: X	



1 NINTH FLOOR ENLARGED REMODEL PLUMBING SEWER WASTE AND VENT PIPING FLOOR PLAN
 SCALE: 1/4" = 1'-0"
 REFER TO DEMOLITION PLAN 4/P-314



2 NINTH FLOOR ENLARGED REMODEL PLUMBING SEWER WASTE AND VENT PIPING FLOOR PLAN
 SCALE: 1/4" = 1'-0"
 REFER TO DEMOLITION PLAN 5/P-314



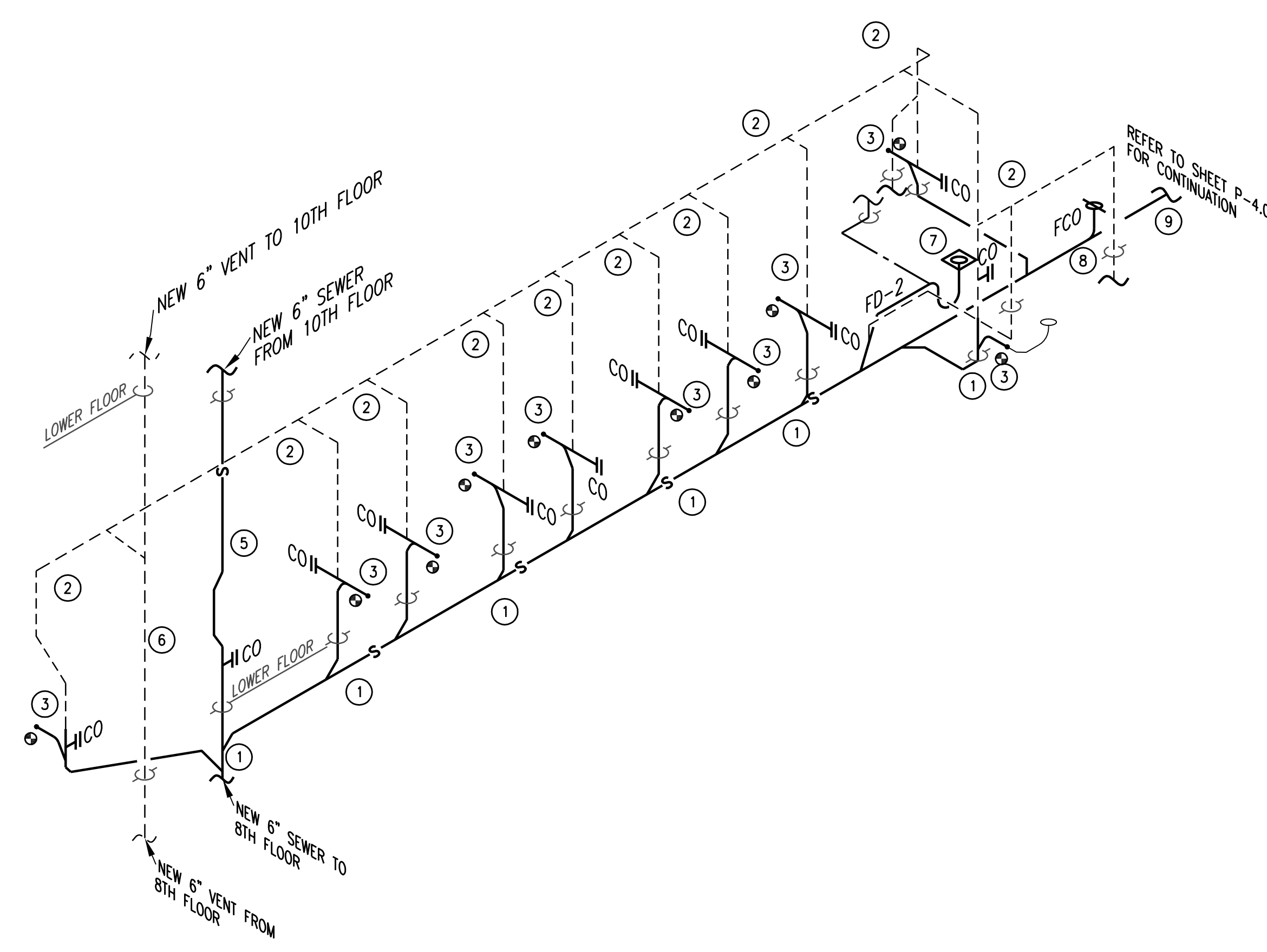
3 NINTH FLOOR ENLARGED REMODEL PLUMBING SEWER WASTE AND VENT PIPING FLOOR PLAN
 SCALE: 1/4" = 1'-0"
 REFER TO DEMOLITION PLAN 6/P-314

REMODEL PLUMBING GENERAL NOTES:

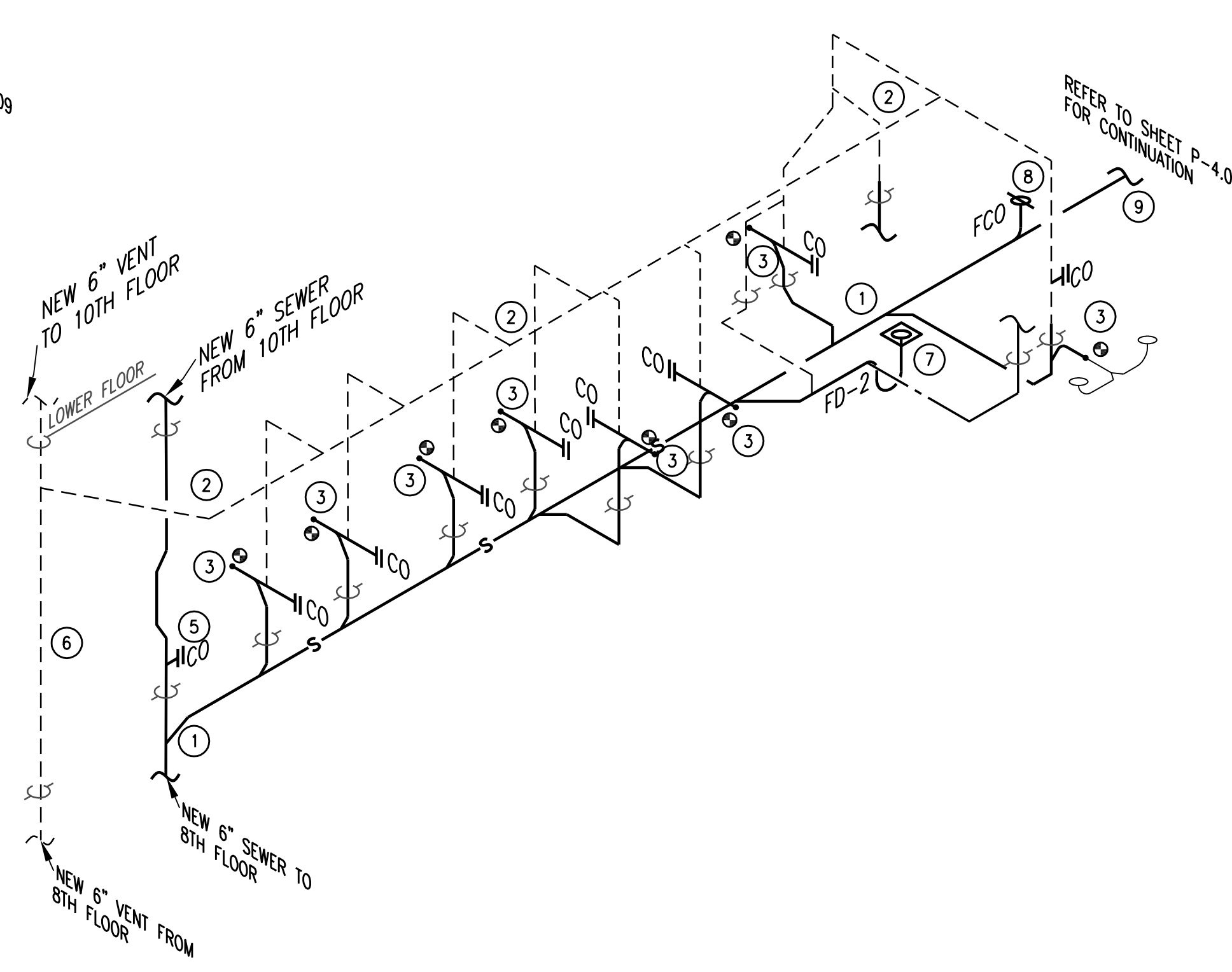
- THE INTENT IS TO REMODEL REPLACEMENT OF THE SEWER AND VENTING SYSTEMS FOR THE FACILITY. THIS FACILITY IS A 24/7 SECURED OPERATION FACILITY, SO THE CONTRACTOR SHALL COORDINATE ALL DEMOLITION AND REMODEL WORK WITH THE DETENTION PERSONNEL.
- SOME PLUMBING CHASES CONTAIN MECHANICAL DUCTWORK, THE CONTRACTOR SHALL COORDINATE THE INSTALLATION OF NEW SEWER AND VENT PIPING WITH THIS DUCTWORK.

REMODEL PLUMBING KEYED NOTES:

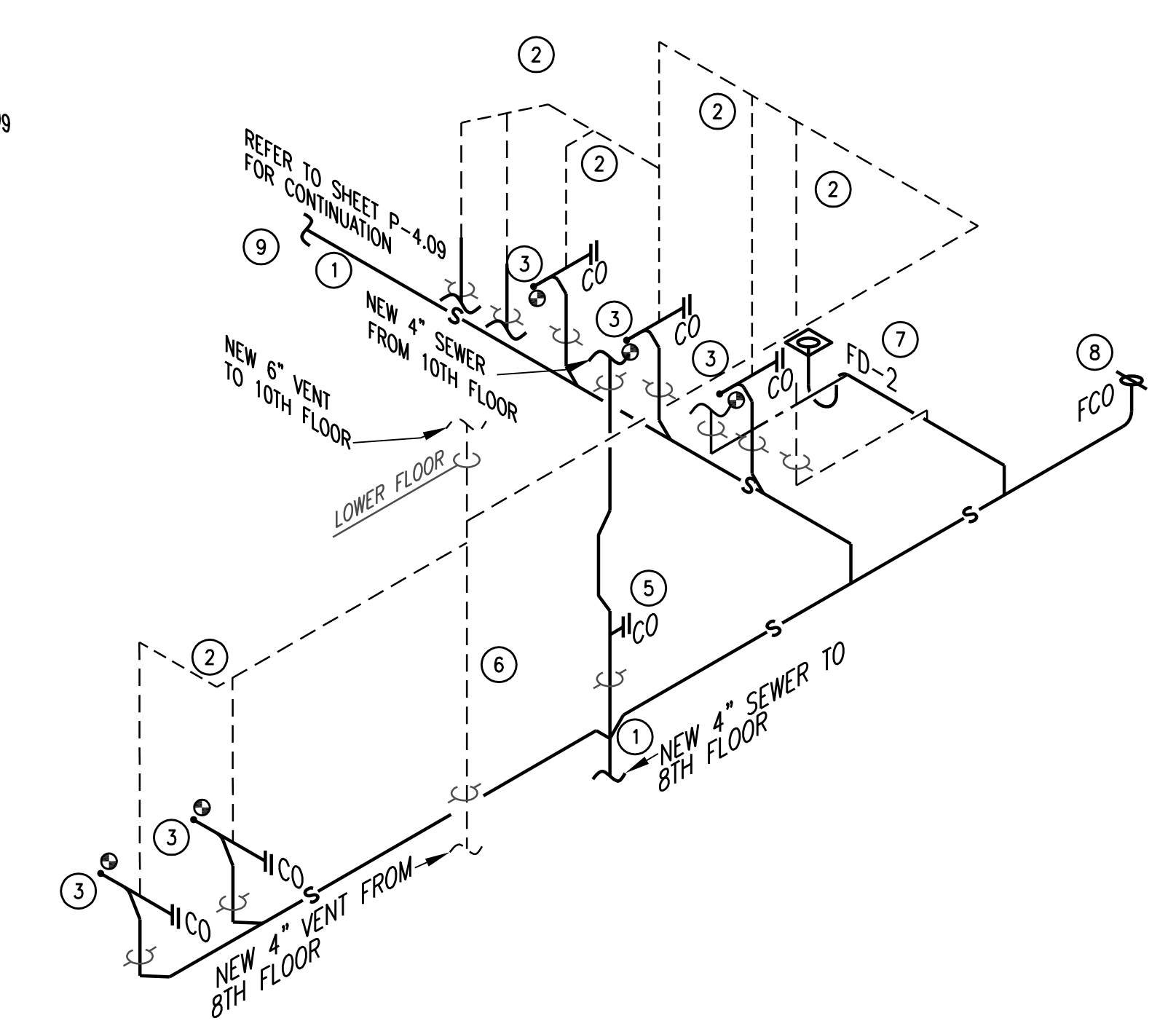
- REPLACE EXISTING SEWER WITH NEW SEWER PIPING AT SIZE AS INDICATED INSTALL AND SUPPORT PIPING PER SCHEMATICS 8/P.1.01, 9/P-1.01 AND 12/P-1.01.
- REPLACE EXISTING VENT WITH NEW VENT PIPING AT SIZE AS INDICATED INSTALL AND SUPPORT PIPING PER SCHEMATICS 8/P.1.01, 9/P-1.01 AND 12/P-1.01.
- EXISTING SEWER AND VENT PIPING FROM STAND ALONE WC, FLOOR DRAINS, AND SHOWER ASSEMBLIES FIXTURE IS TO REMAIN AND BE RECONNECTED TO THE NEW SEWER MAIN AT WALL/FLOOR PENETRATION AS INDICATED.
- EXISTING FLOOR PENETRATION TO BE FILLED IN WITH CONCRETE TO SEAL THE OPENING.
- NEW MAIN SEWER RISER PIPING IS TO REPLACE THE EXISTING RISER IN THE SAME PLACE IN CHASE TO BE INSTALLED IN SAME LOCATION OF EXISTING MAIN SEWER RISER PIPING, REFER TO SCHEMATIC 8/P-1.01 FOR FLOOR PENETRATION. OFFSET SEWER RISER PER SCHEMATIC 10/P-1.01.
- NEW MAIN VENT RISER PIPING IS TO REPLACE THE EXISTING RISER IN THE SAME PLACE IN CHASE TO BE INSTALLED IN SAME LOCATION OF EXISTING MAIN VENT RISER PIPING, REFER TO SCHEMATIC 8/P-1.01 FOR FLOOR PENETRATION.
- NEW FLOOR DRAIN (FD-2) TO BE INSTALLED IN PLUMBING CHASE, REFER TO 11/P-1.01 FOR FURTHER INFORMATION.
- NEW FLOOR CLEANOUT (FCO) TO BE INSTALLED PER SCHEMATIC 1/P-1.01.
- PIPING PENETRATION WALL PER SCHEMATIC 7/P.1.01.



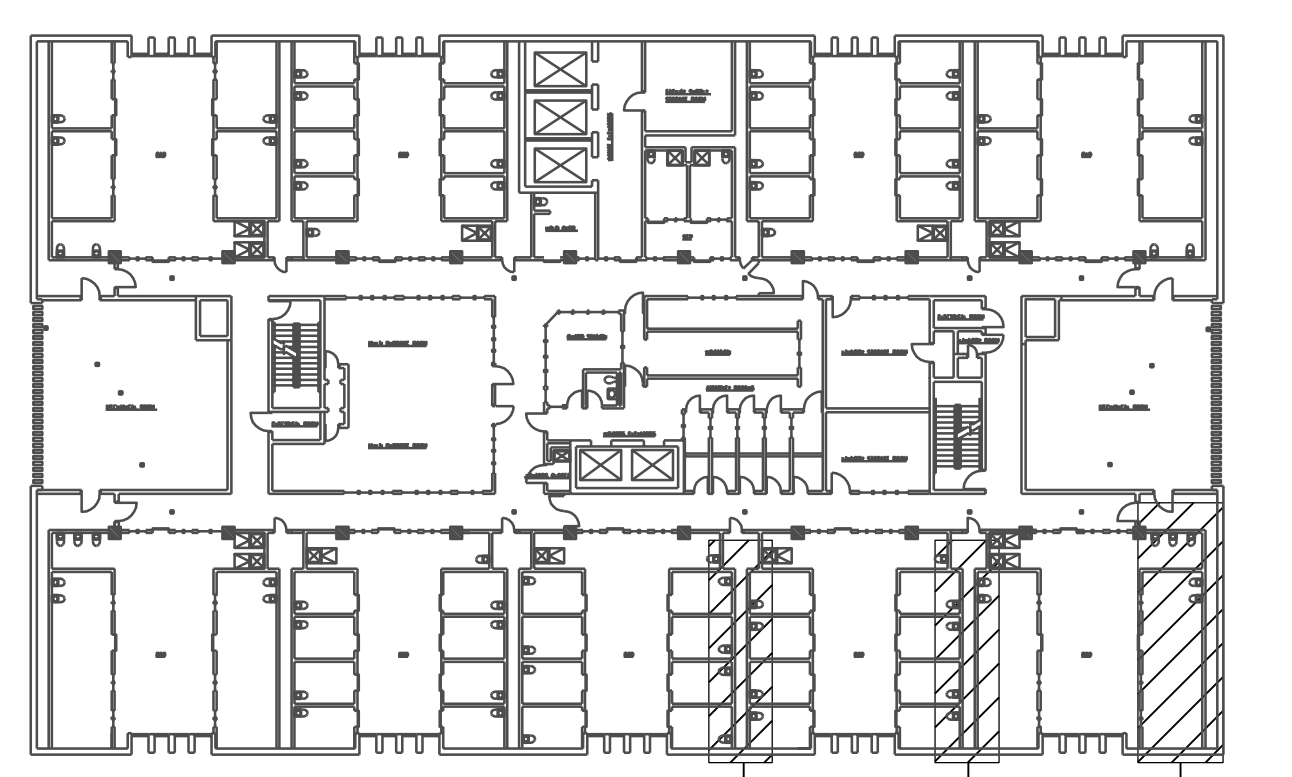
4 SEWER WASTE AND VENT PIPING ISOMETRIC
 SCALE: NONE
 REFER TO 1/P-5.30 FOR FLOOR PLAN



5 SEWER WASTE AND VENT PIPING ISOMETRIC
 SCALE: NONE
 REFER TO 2/P-5.30 FOR FLOOR PLAN

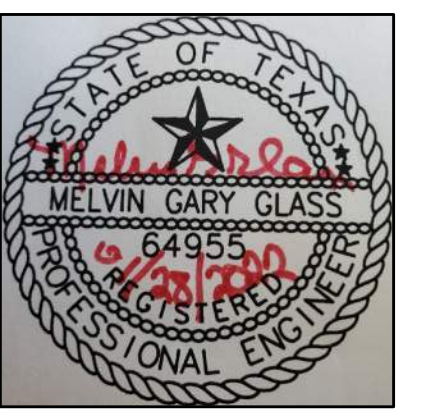


6 SEWER WASTE AND VENT PIPING ISOMETRIC
 SCALE: NONE
 REFER TO 3/P-5.30 FOR FLOOR PLAN

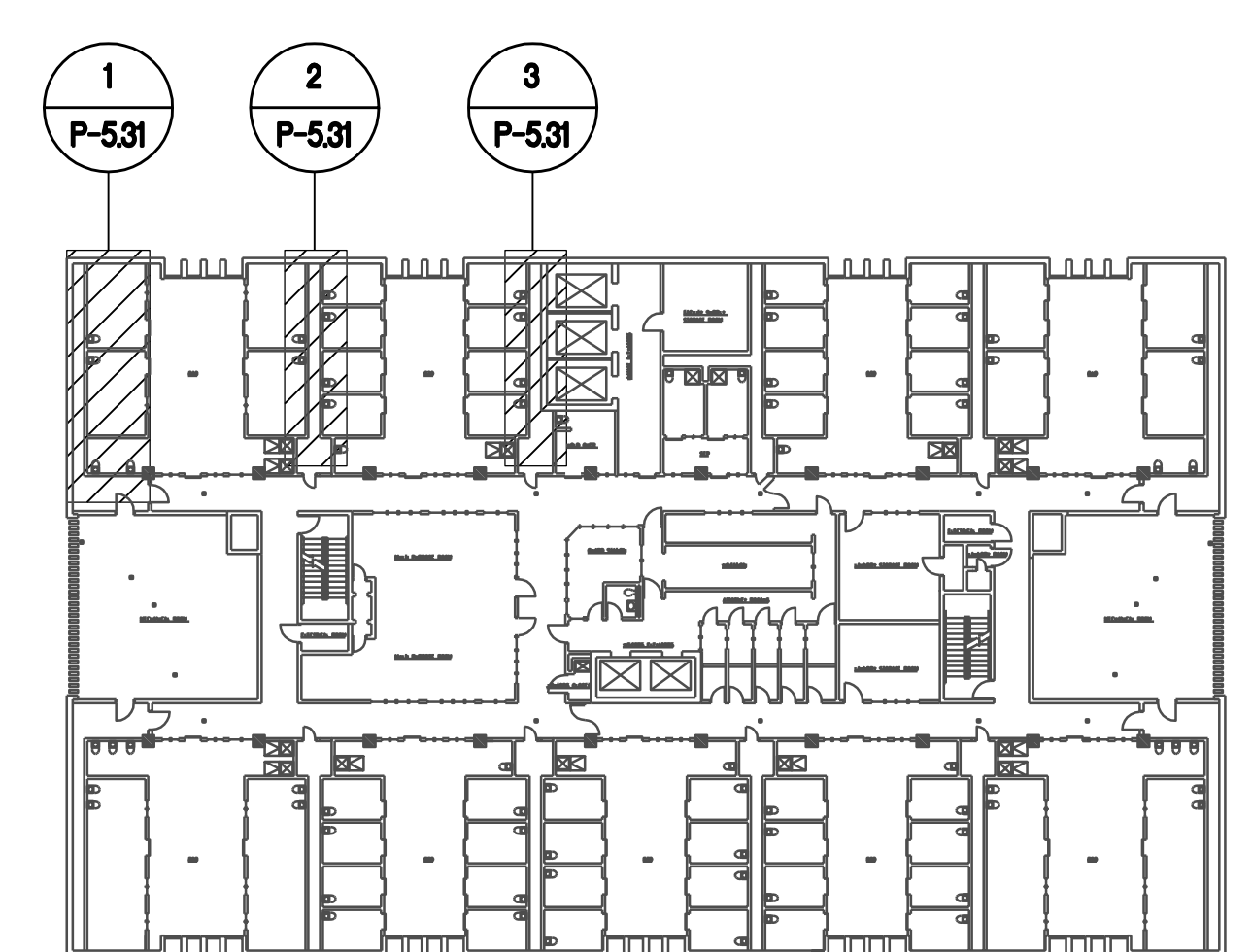
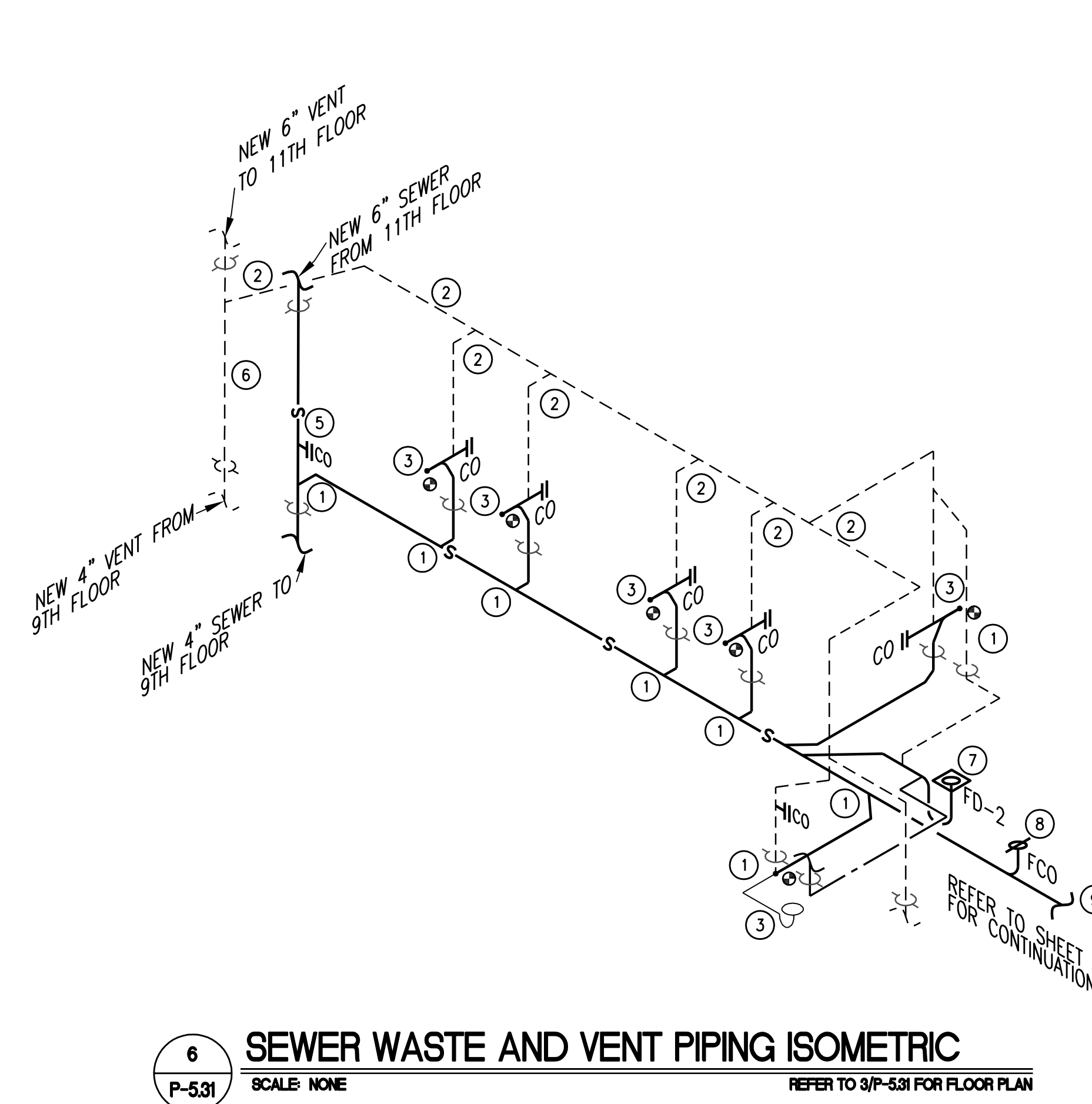
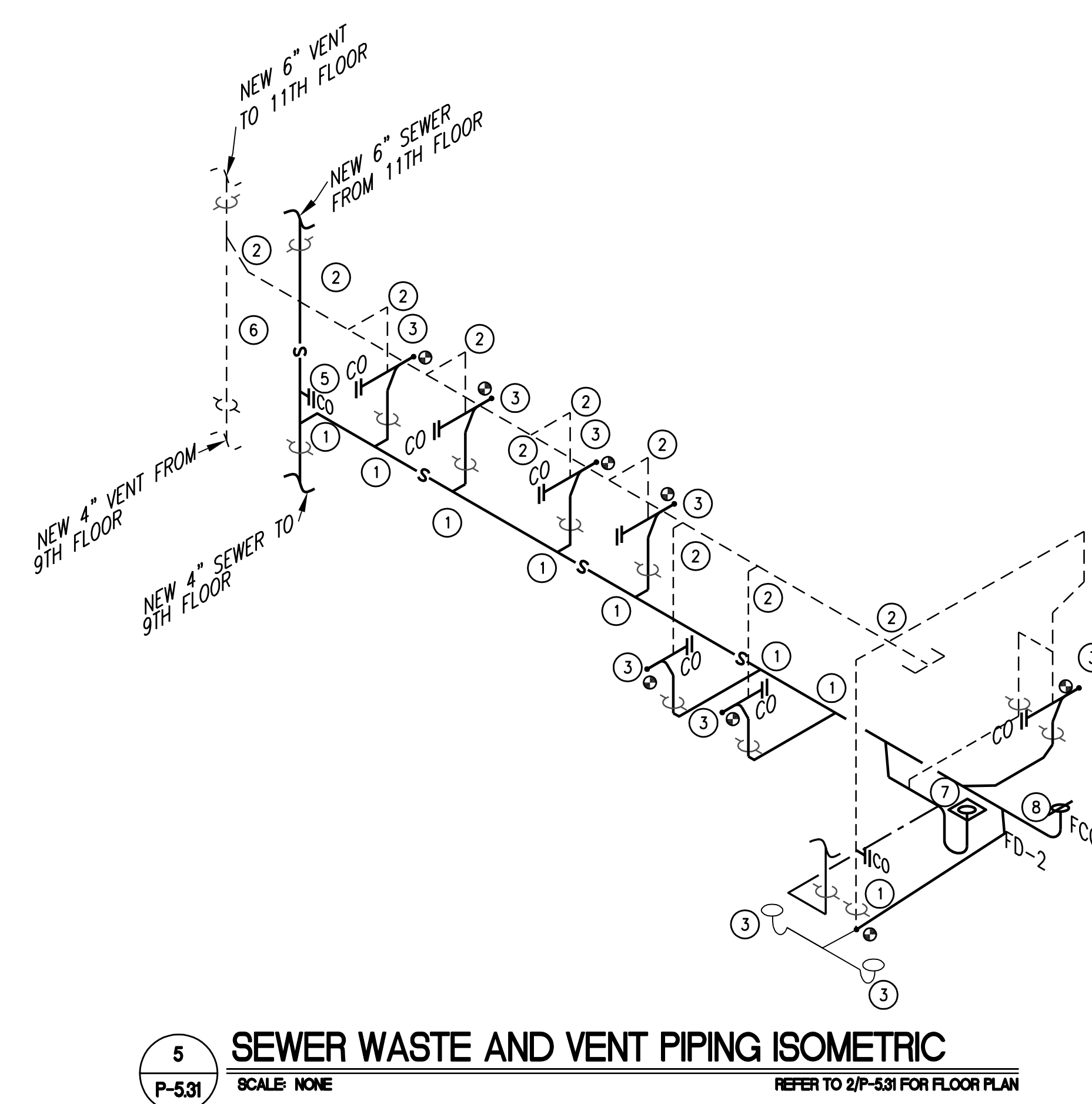
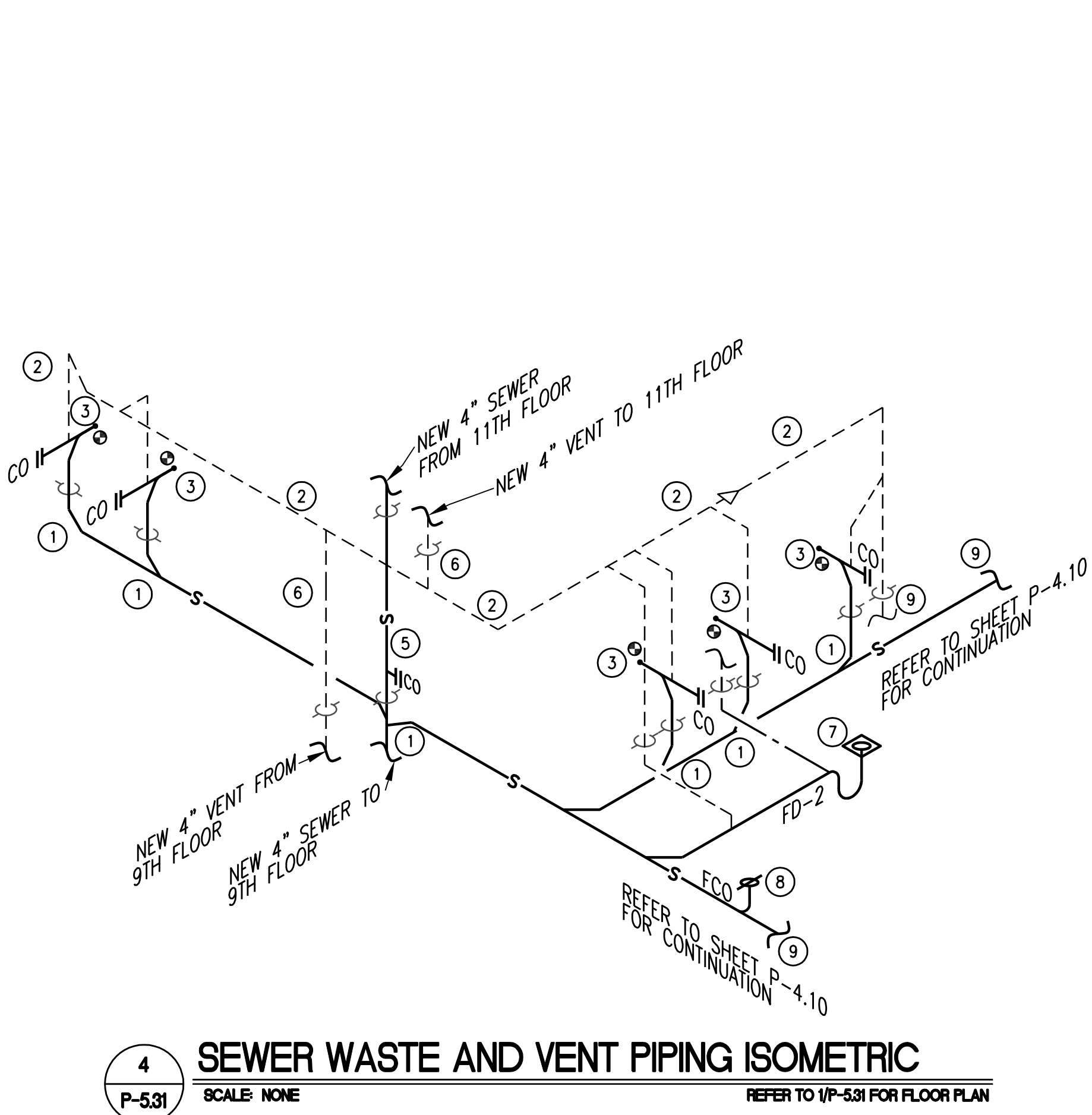
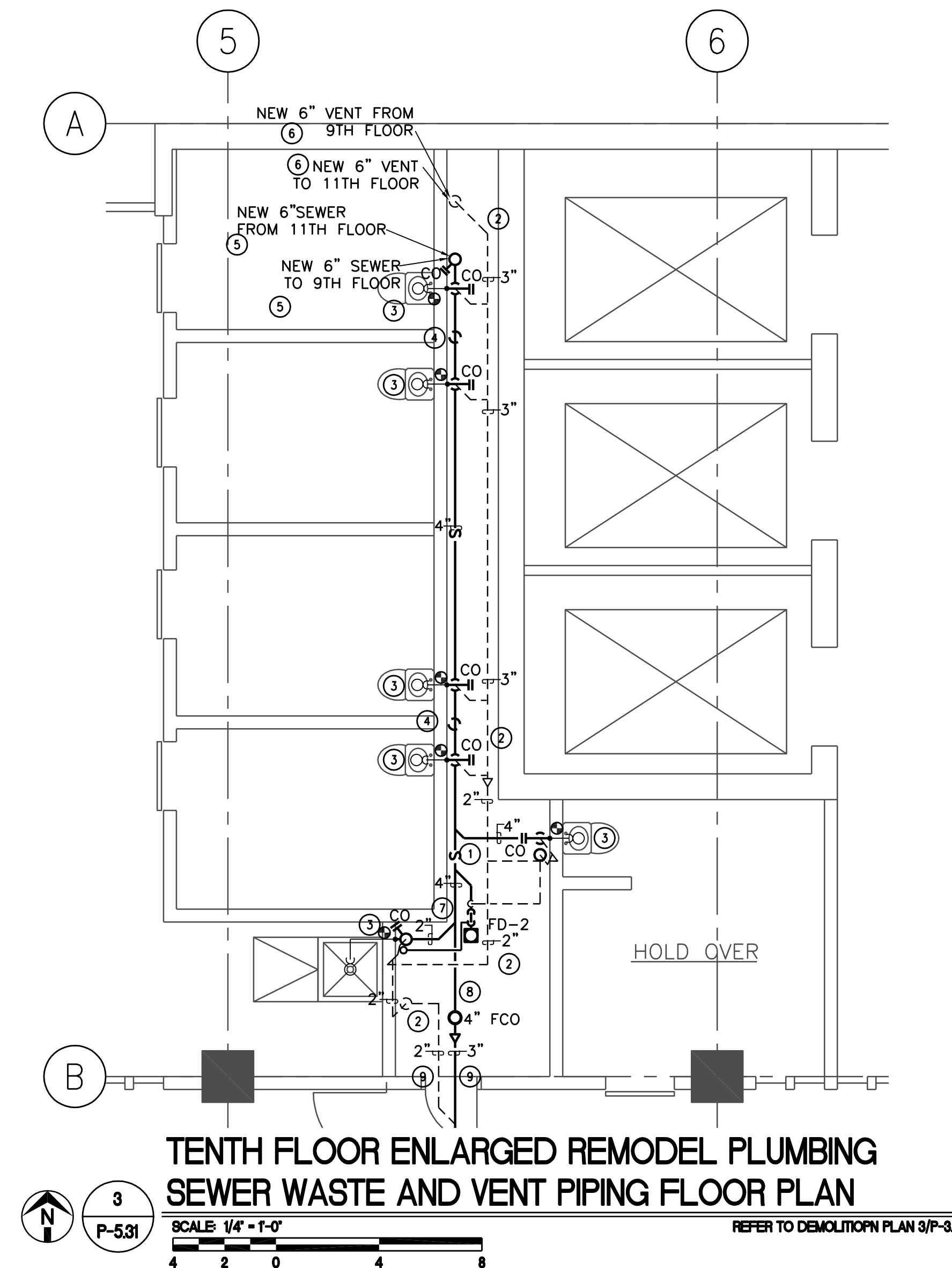
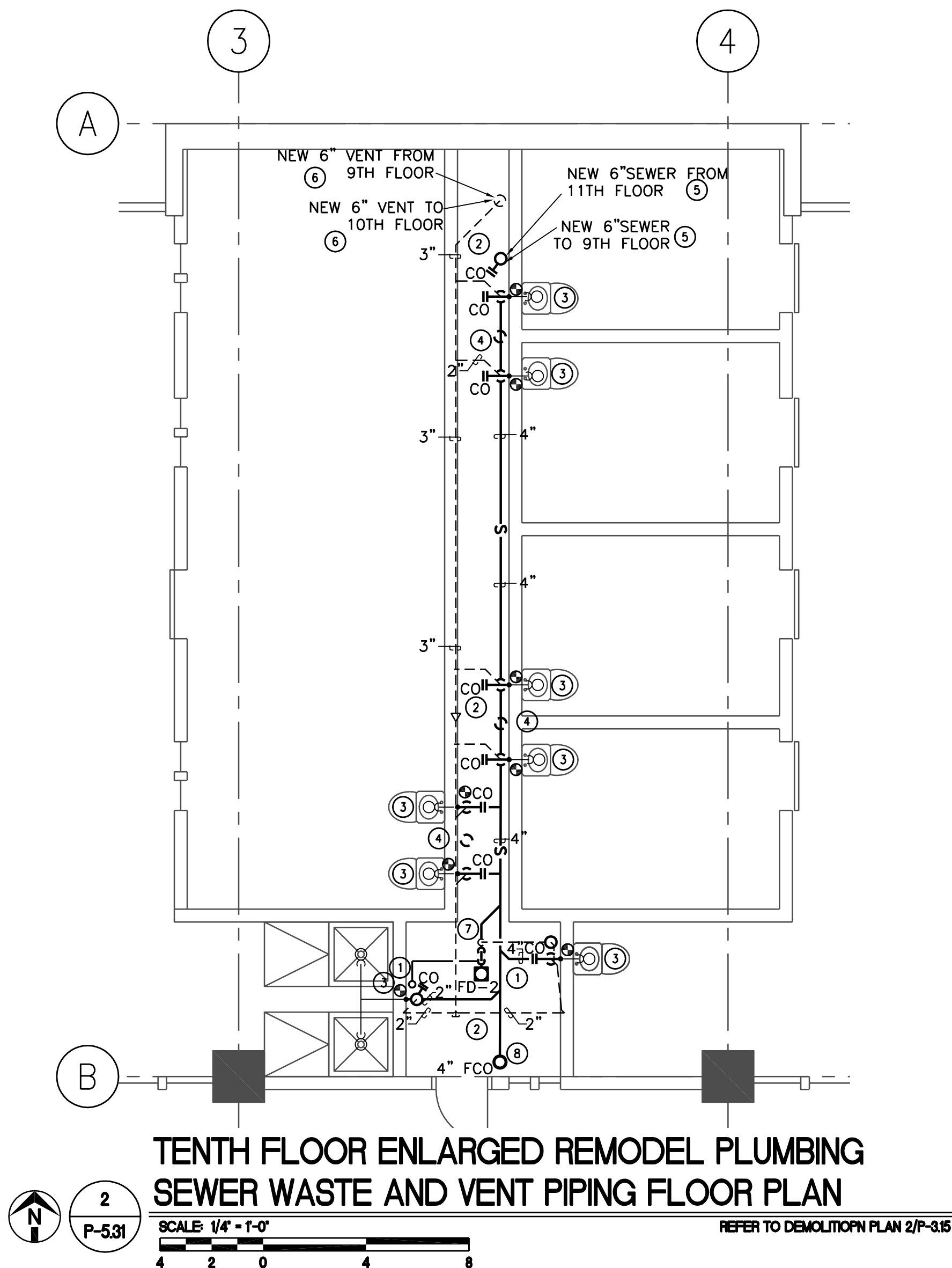
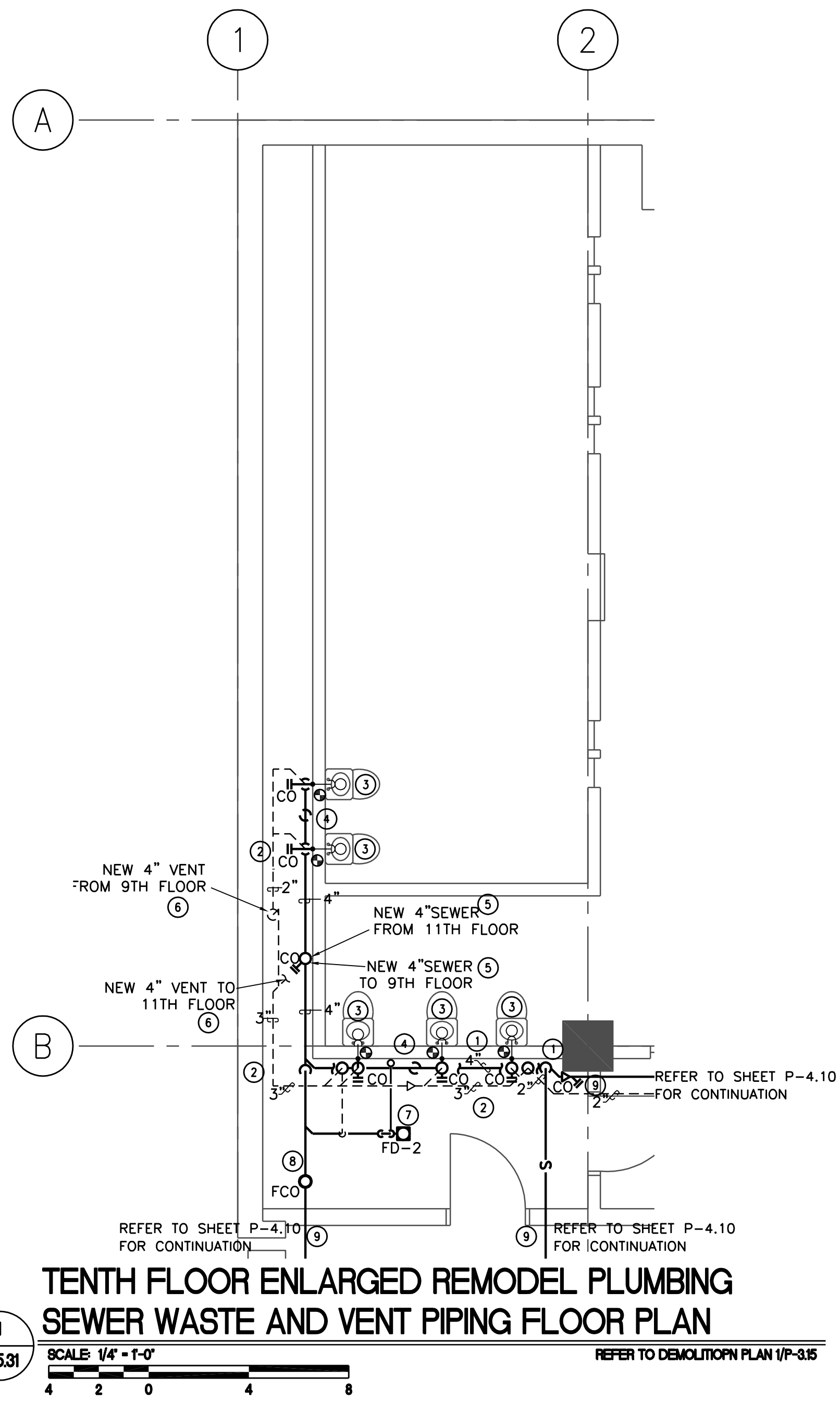


NINTH FLOOR KEY PLAN
 SCALE: NONE

THIS DOCUMENT, WHETHER IN HARD COPY OR MACHINE READABLE FORMAT, IS COPYRIGHTED AND AN INSTRUMENT OF SERVICES IN RESPECT TO THE PROJECT FOR WHICH IT WAS PREPARED. THIS DOCUMENT IS NOT INTENDED OR AUTHORIZED FOR REUSE BY ANY PARTY ON EXTENSIONS OF SUCH PROJECT OR ANY OTHER PROJECT. ANY REUSE, INCLUDING COPYING AND/OR MODIFYING THE DOCUMENT, WITHOUT WRITTEN PERMISSION FROM EMC ENGINEERS FOR THE SPECIFIC PURPOSE INTENDED IS A VIOLATION OF FEDERAL COPYRIGHT LAW. UNAUTHORIZED USE OF THIS MATERIAL MAY RESULT IN CIVIL AND/OR CRIMINAL PENALTIES.
 COPY RIGHT 2013 EMC ENGINEERS.



THE SEAL APPEARING ON THIS DOCUMENT WAS AUTHORIZED BY MELVIN G. GLASS, P.E. #64935 OF EMC ENGINEERS (TEAMS FIRM REG. #2491) ON JANUARY 28, 2022. ALTERATION OF A SEALED DOCUMENT WITHOUT PROPER NOTIFICATION TO THE RESPONSIBLE ENGINEER IS AN OFFENSE UNDER THE TEXAS ENGINEERING PRACTICE ACT.



REMODEL PLUMBING GENERAL NOTES:

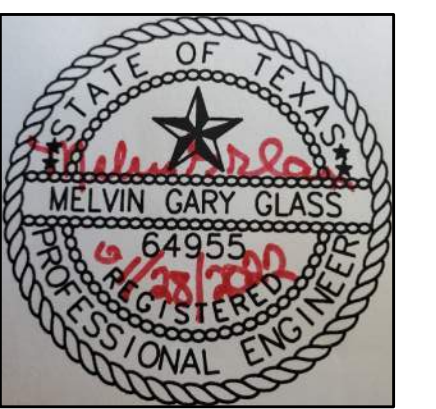
- 1 THE INTENT IS TO REMODEL REPLACEMENT OF THE SEWER AND VENTING SYSTEMS FOR THE FACILITY. THIS FACILITY IS A 24/7 SECURED OPERATION FACILITY. SO THE CONTRACTOR SHALL COORDINATE ALL DEMOLITION AND REMODEL WORK WITH THE DETENTION PERSONNEL.
- 2 SOME PLUMBING CHASES CONTAIN MECHANICAL DUCTWORK, THE CONTRACTOR SHALL COORDINATE THE INSTALLATION OF NEW SEWER AND VENT PIPING WITH THIS DUCTWORK.

REMODEL PLUMBING KEYED NOTES:

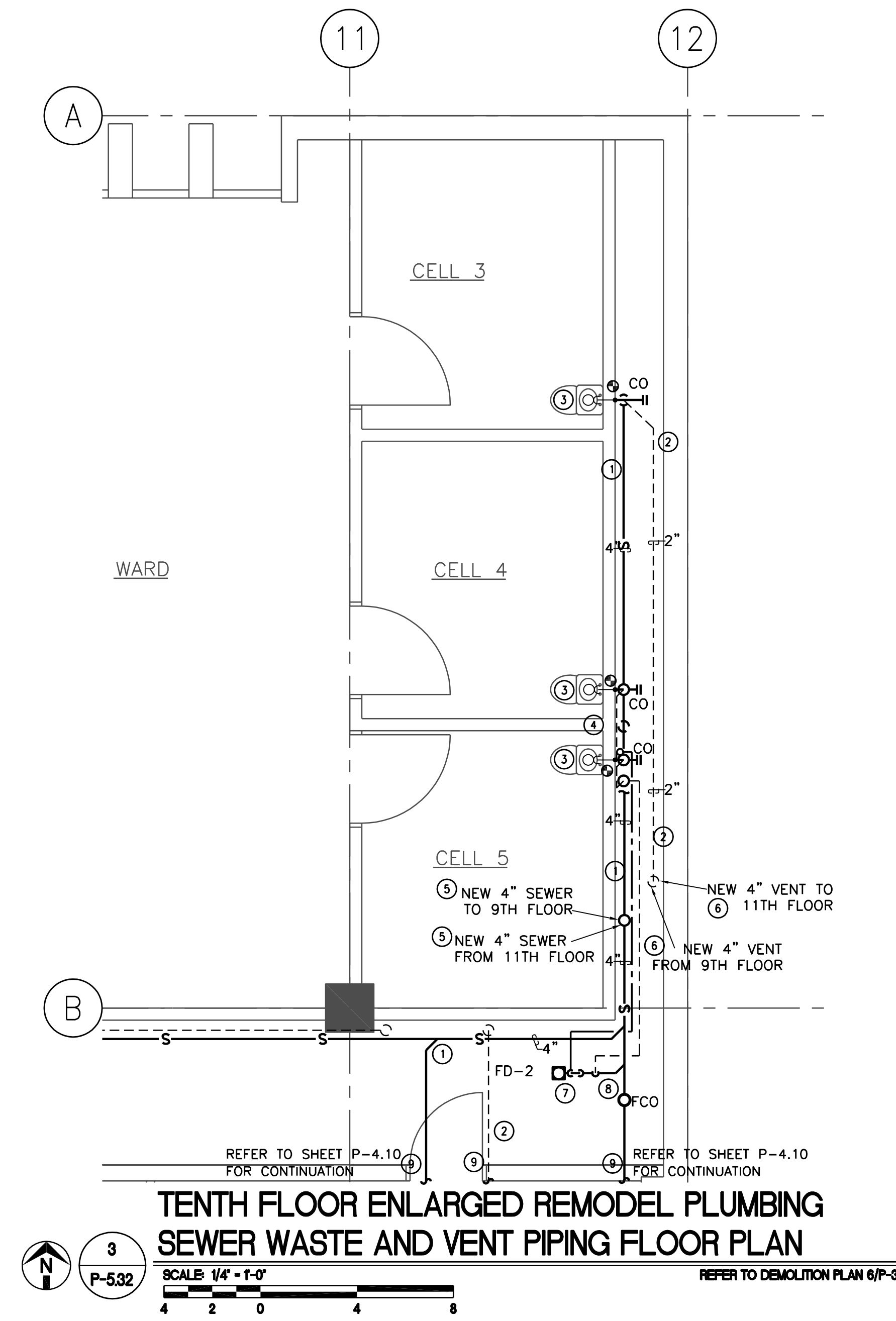
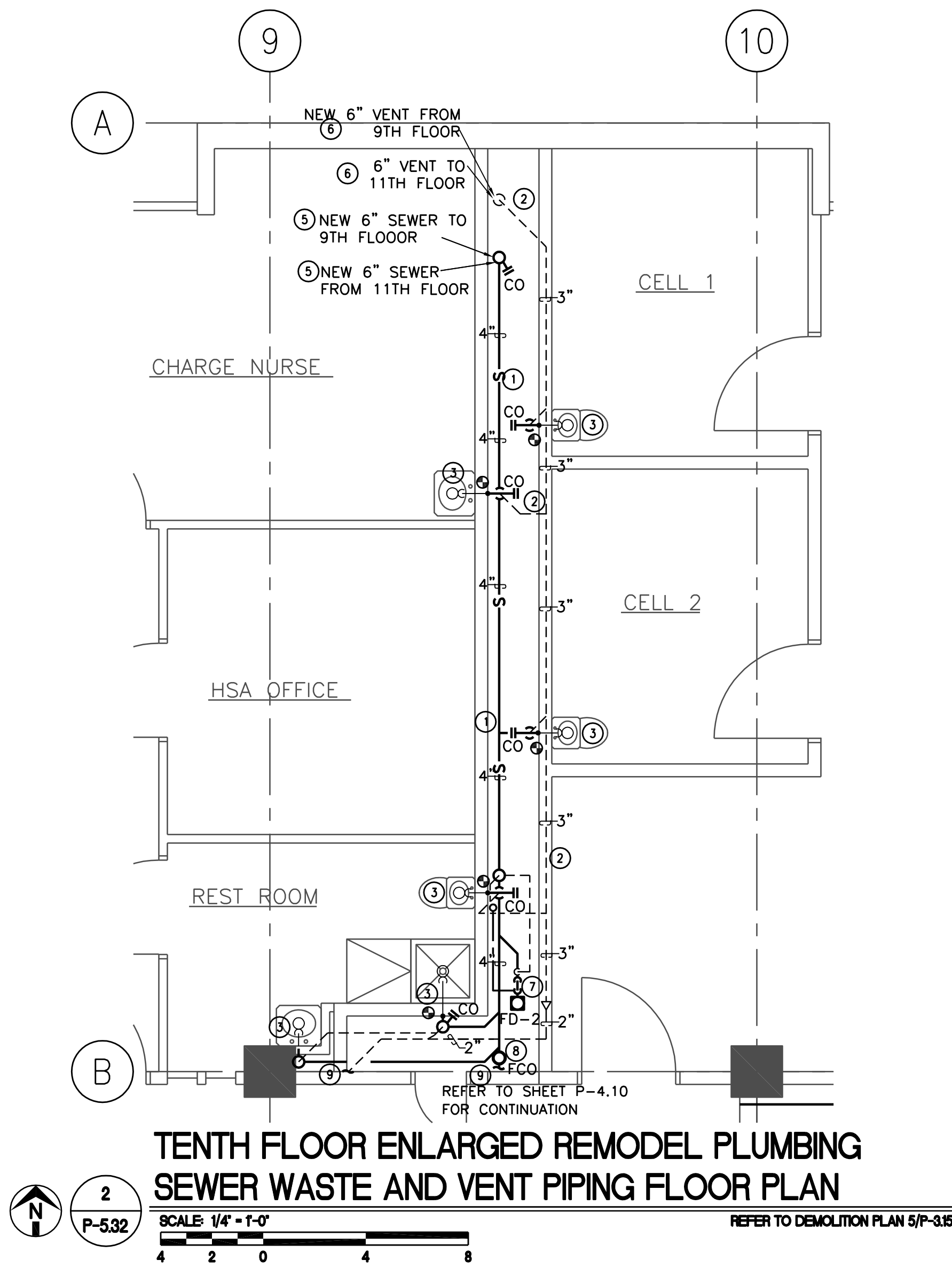
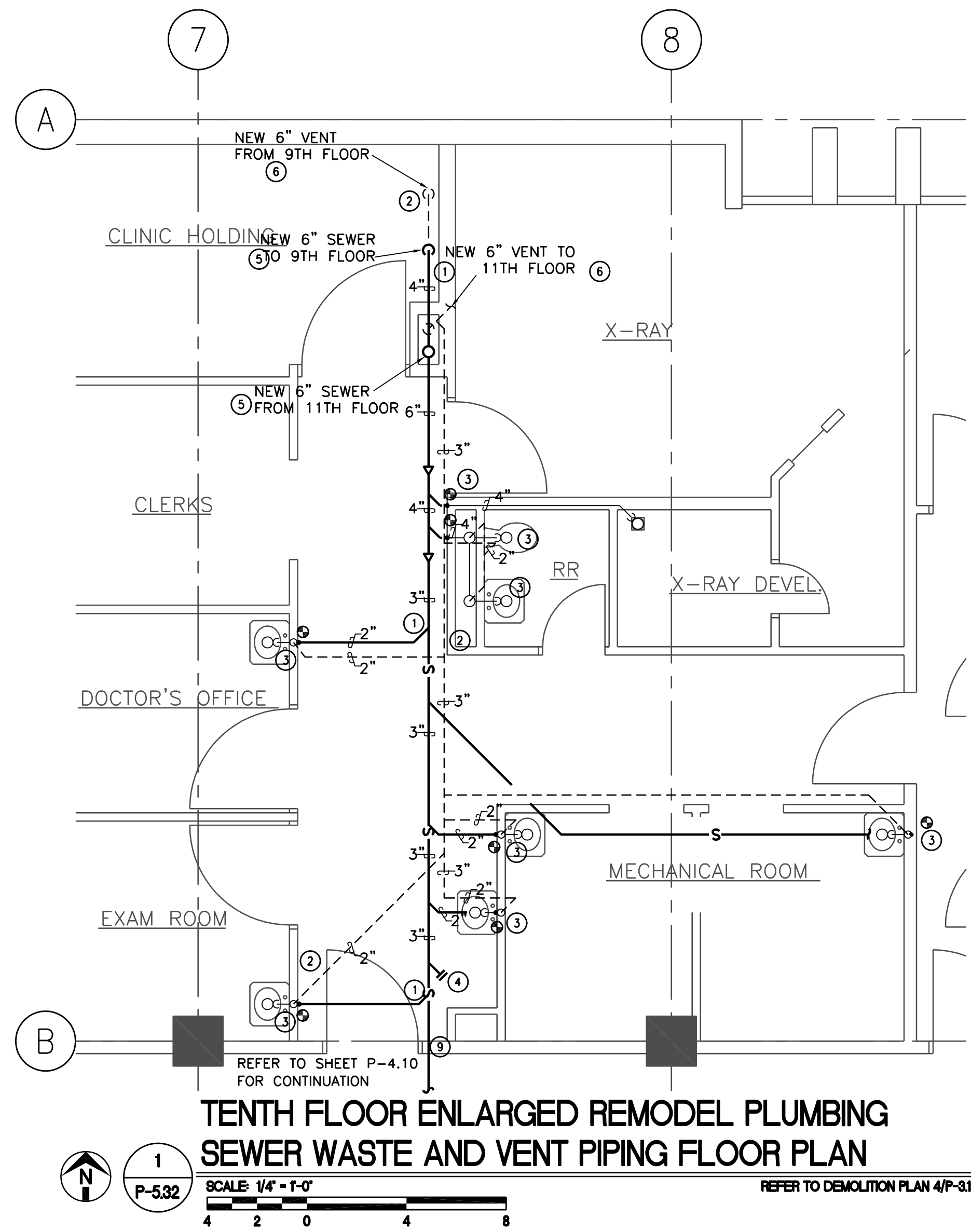
- 1 REPLACE EXISTING SEWER WITH NEW SEWER PIPING AT SIZE AS INDICATED INSTALL AND SUPPORT PIPING PER SCHEMATICS 8/P.1.01, 9/P-1.01 AND 12/P-1.01.
- 2 REPLACE EXISTING VENT WITH NEW VENT PIPING AT SIZE AS INDICATED INSTALL AND SUPPORT PIPING PER SCHEMATICS 8/P.1.01, 9/P-1.01 AND 12/P-1.01.
- 3 EXISTING SEWER AND VENT PIPING FROM STAND ALONE WC, FLOOR DRAINS, AND SHOWER ASSEMBLES FIXTURE IS TO REMAIN AND BE RECONNECTED TO THE NEW SEWER MAIN AT WALL/FLOOR PENETRATION AS INDICATED.
- 4 EXISTING FLOOR PENETRATION TO BE FILLED IN WITH CONCRETE TO SEAL THE OPENING.
- 5 NEW MAIN SEWER RISER PIPING IS TO REPLACE THE EXISTING RISER IN THE SAME PLACE IN CHASE TO BE INSTALLED IN SAME LOCATION OF EXISTING MAIN SEWER RISER PIPING, REFER TO SCHEMATIC 8/P-1.01 FOR FLOOR PENETRATION.
- 6 NEW MAIN VENT RISER PIPING IS TO REPLACE THE EXISTING RISER IN THE SAME PLACE IN CHASE TO BE INSTALLED IN SAME LOCATION OF EXISTING MAIN VENT RISER PIPING, REFER TO SCHEMATIC 8/P-1.01 FOR FLOOR PENETRATION.
- 7 NEW FLOOR DRAIN (FD-2) TO BE INSTALLED IN PLUMBING CHASE, REFER TO 11/P-1.01 FOR FURTHER INFORMATION.
- 8 NEW FLOOR CLEANOUT (FCO) TO BE INSTALLED PER SCHEMATIC 1/P-1.01.
- 9 PIPING PENETRATION WALL PER SCHEMATIC 7/P.1.01.

THIS DOCUMENT, WHETHER IN HARD COPY OR MACHINE READABLE FORMAT, IS COPYRIGHTED AND AN INSTRUMENT OF SERVICES IN RESPECT TO THE PROJECT FOR WHICH IT WAS PREPARED. THIS DOCUMENT IS NOT INTENDED OR AUTHORIZED FOR REUSE BY ANY PARTY ON EXTENSIONS OF SUCH PROJECT OR ANY OTHER PROJECT. ANY REUSE, INCLUDING COPYING AND/OR MODIFYING THE DOCUMENT, WITHOUT WRITTEN PERMISSION FROM EMC ENGINEERS FOR THE SPECIFIC PURPOSE INTENDED IS A VIOLATION OF FEDERAL COPYRIGHT LAW. UNAUTHORIZED USE OF THIS MATERIAL MAY RESULT IN CIVIL AND/OR CRIMINAL PENALTIES.
COPY RIGHT 2013 EMC ENGINEERS.

Project:	UPGRADE AND REPLACE THE SANITARY SEWER SYSTEM AT THE EL PASO COUNTY DETENTION FACILITY
Location:	601 E OVERLAND STREET EL PASO, TEXAS
Job Number:	EMC-2108022
Date:	11/23/2021
Scale:	A5 SHOWN
Sheet:	P-5.31
86 of:	X



THE SEAL APPEARING ON THIS DOCUMENT WAS AUTHORIZED BY MELVIN G. GLASS, P.E. #64935 OF EMC ENGINEERS (TEXAS FIRM REG. #72491) ON JANUARY 28, 2022. ALTERATION OF A SEALED DOCUMENT WITHOUT PROPER NOTIFICATION TO THE RESPONSIBLE ENGINEER IS AN OFFENSE UNDER THE TEXAS ENGINEERING PRACTICE ACT.

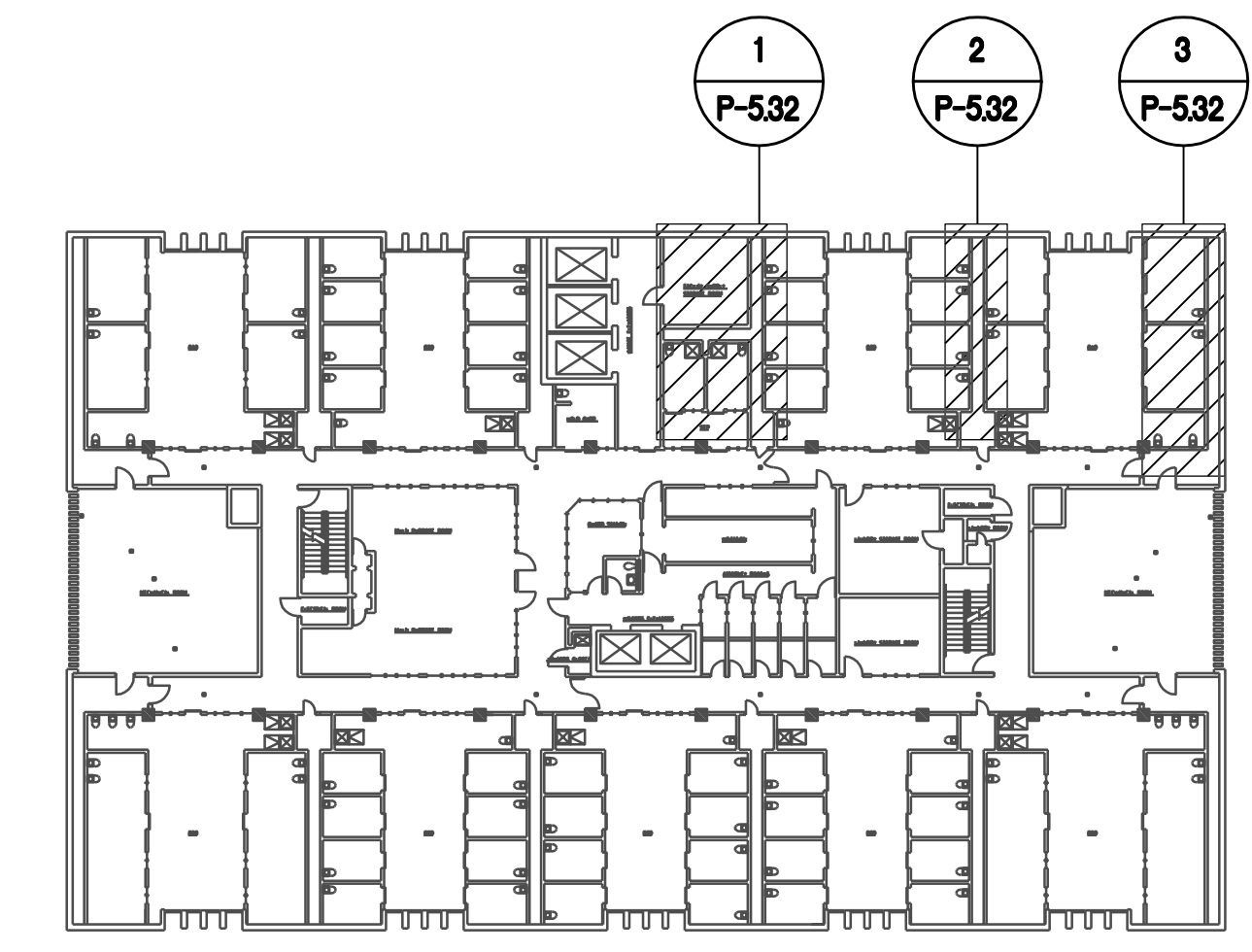
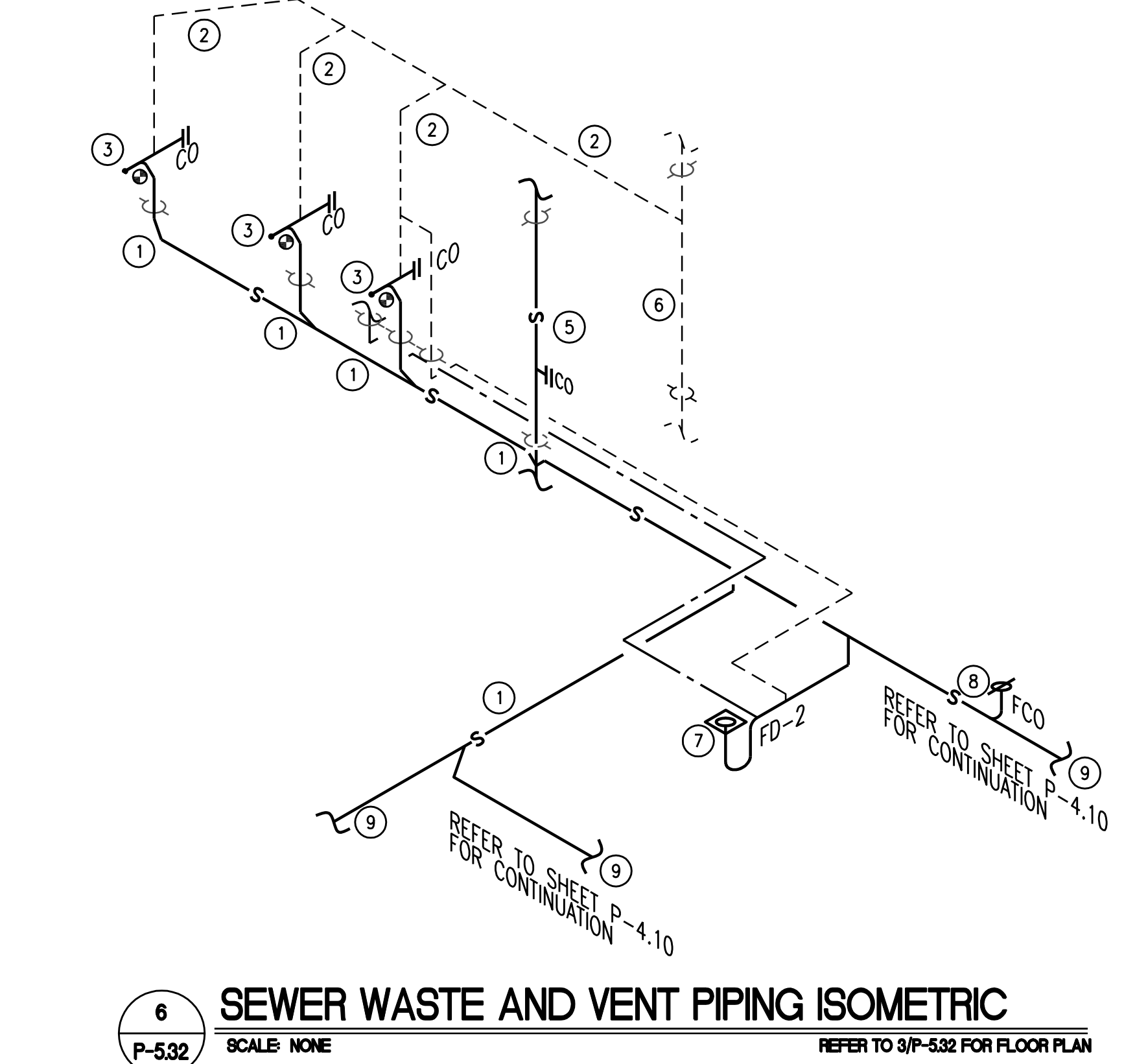
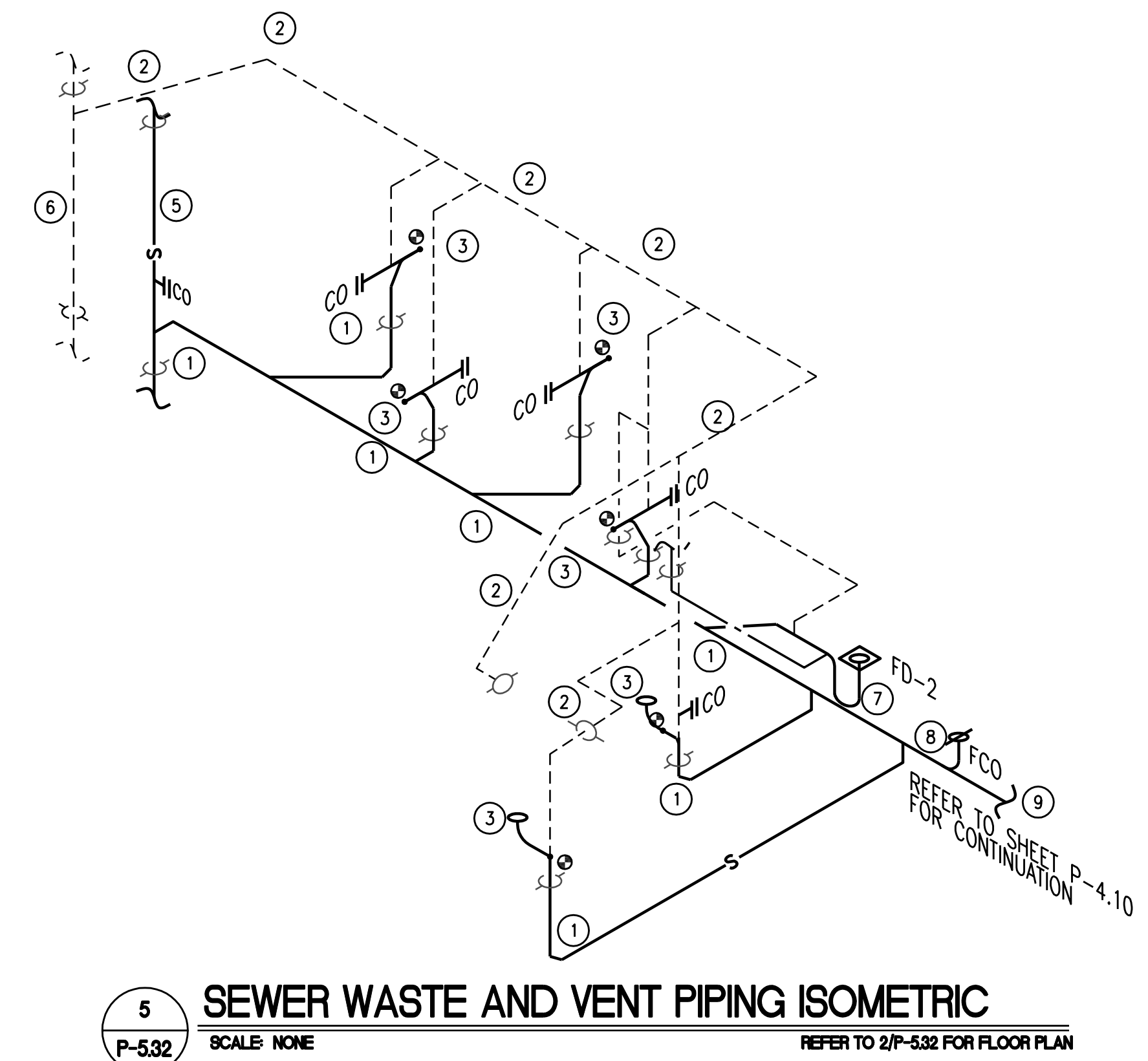
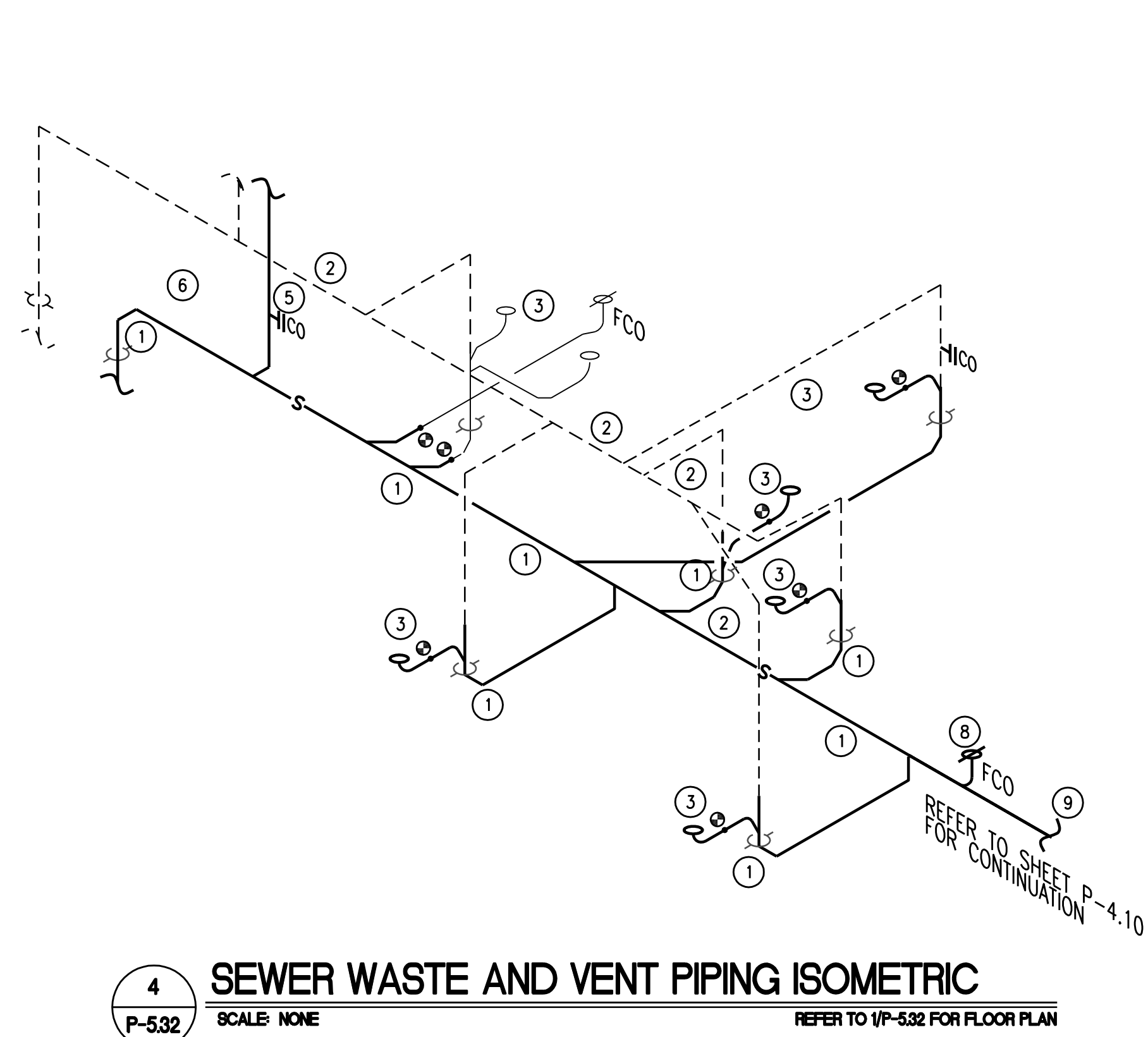


REMODEL PLUMBING GENERAL NOTES:

- 1 THE INTENT IS TO REMODEL REPLACEMENT OF THE SEWER AND VENTING SYSTEMS FOR THE FACILITY. THIS FACILITY IS A 24/7 SECURED OPERATION FACILITY. SO THE CONTRACTOR SHALL COORDINATE ALL DEMOLITION AND REMODEL WORK WITH THE DETENTION PERSONNEL.
- 2 SOME PLUMBING CHASES CONTAIN MECHANICAL DUCTWORK, THE CONTRACTOR SHALL COORDINATE THE INSTALLATION OF NEW SEWER AND VENT PIPING WITH THIS DUCTWORK.

REMODEL PLUMBING KEYED NOTES:

- 1 REPLACE EXISTING SEWER WITH NEW SEWER PIPING AT SIZE AS INDICATED INSTALL AND SUPPORT PIPING PER SCHEMATICS 8/P1.01, 9/P-1.01 AND 12/P-1.01.
- 2 REPLACE EXISTING VENT WITH NEW VENT PIPING AT SIZE AS INDICATED INSTALL AND SUPPORT PIPING PER SCHEMATICS 8/P1.01, 9/P-1.01 AND 12/P-1.01.
- 3 EXISTING SEWER AND VENT PIPING FROM STAND ALONE WC, FLOOR DRAINS, AND SHOWER ASSEMBLIES FIXTURE IS TO REMAIN AND BE RECONNECTED TO THE NEW SEWER MAIN AT WALL/FLOOR PENETRATION AS INDICATED.
- 4 EXISTING FLOOR PENETRATION TO BE FILLED IN WITH CONCRETE TO SEAL THE OPENING.
- 5 NEW MAIN SEWER RISER PIPING IS TO REPLACE THE EXISTING RISER IN THE SAME PLACE IN CHASE TO BE INSTALLED IN SAME LOCATION OF EXISTING MAIN SEWER RISER PIPING, REFER TO SCHEMATIC 8/P-1.01 FOR FLOOR PENETRATION.
- 6 NEW MAIN VENT RISER PIPING IS TO REPLACE THE EXISTING RISER IN THE SAME PLACE IN CHASE TO BE INSTALLED IN SAME LOCATION OF EXISTING MAIN VENT RISER PIPING, REFER TO SCHEMATIC 8/P-1.01 FOR FLOOR PENETRATION.
- 7 NEW FLOOR DRAIN (FD-2) TO BE INSTALLED IN PLUMBING CHASE, REFER TO 11/P-1.01 FOR FURTHER INFORMATION.
- 8 NEW FLOOR CLEANOUT (FCO) TO BE INSTALLED PER SCHEMATIC 1/P-1.01.
- 9 PIPING PENETRATION WALL PER SCHEMATIC 7/P1.01.



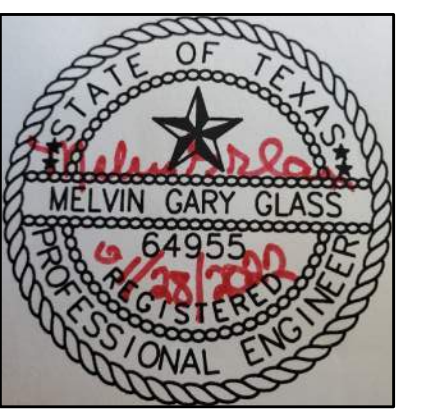
THIS DOCUMENT, WHETHER IN HARD COPY OR MACHINE READABLE FORMAT, IS COPYRIGHTED AND AN INSTRUMENT OF SERVICES IN RESPECT TO THE PROJECT FOR WHICH IT WAS PREPARED. THIS DOCUMENT IS NOT INTENDED OR AUTHORIZED FOR REUSE BY ANY PARTY ON EXTENSIONS OF SUCH PROJECT OR ANY OTHER PROJECT. ANY REUSE, INCLUDING COPYING AND/OR MODIFYING THE DOCUMENT, WITHOUT WRITTEN PERMISSION FROM EMC ENGINEERS FOR THE SPECIFIC PURPOSE INTENDED IS A VIOLATION OF FEDERAL COPYRIGHT LAW. UNAUTHORIZED USE OF THIS MATERIAL MAY RESULT IN CIVIL AND/OR CRIMINAL PENALTIES.
COPY RIGHT 2013 EMC ENGINEERS.

Project:	UPGRADE AND REPLACE THE SANITARY SEWER SYSTEM AT THE EL PASO COUNTY DETENTION FACILITY
Location:	601 E OVERLAND STREET EL PASO, TEXAS
Job Number:	ETC-2108022
Date:	11/23/2021
Scale:	A5 SHOWN
Sheet:	P-5.32
87 of:	X

Rev.#	Date	Initial	Description
1			ETC
2			ETC

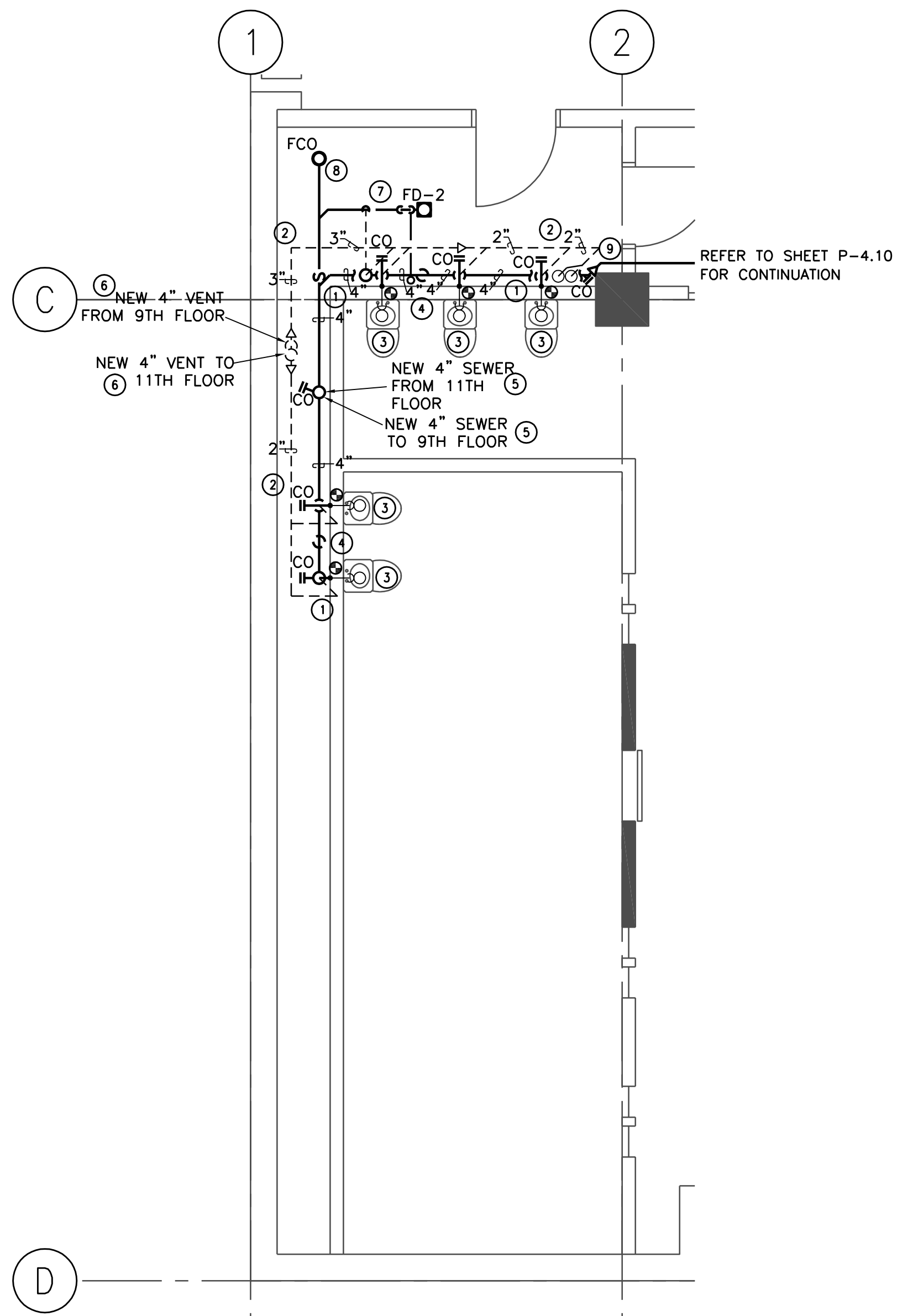
EMC ENGINEERS
2311 E. WILSON AVENUE SUITE 100
EL PASO, TEXAS 79906
TEL: 915-781-2000
FAX: 915-781-2001
WWW.EMCENGINEERS.COM
EMC PROJECT #170022



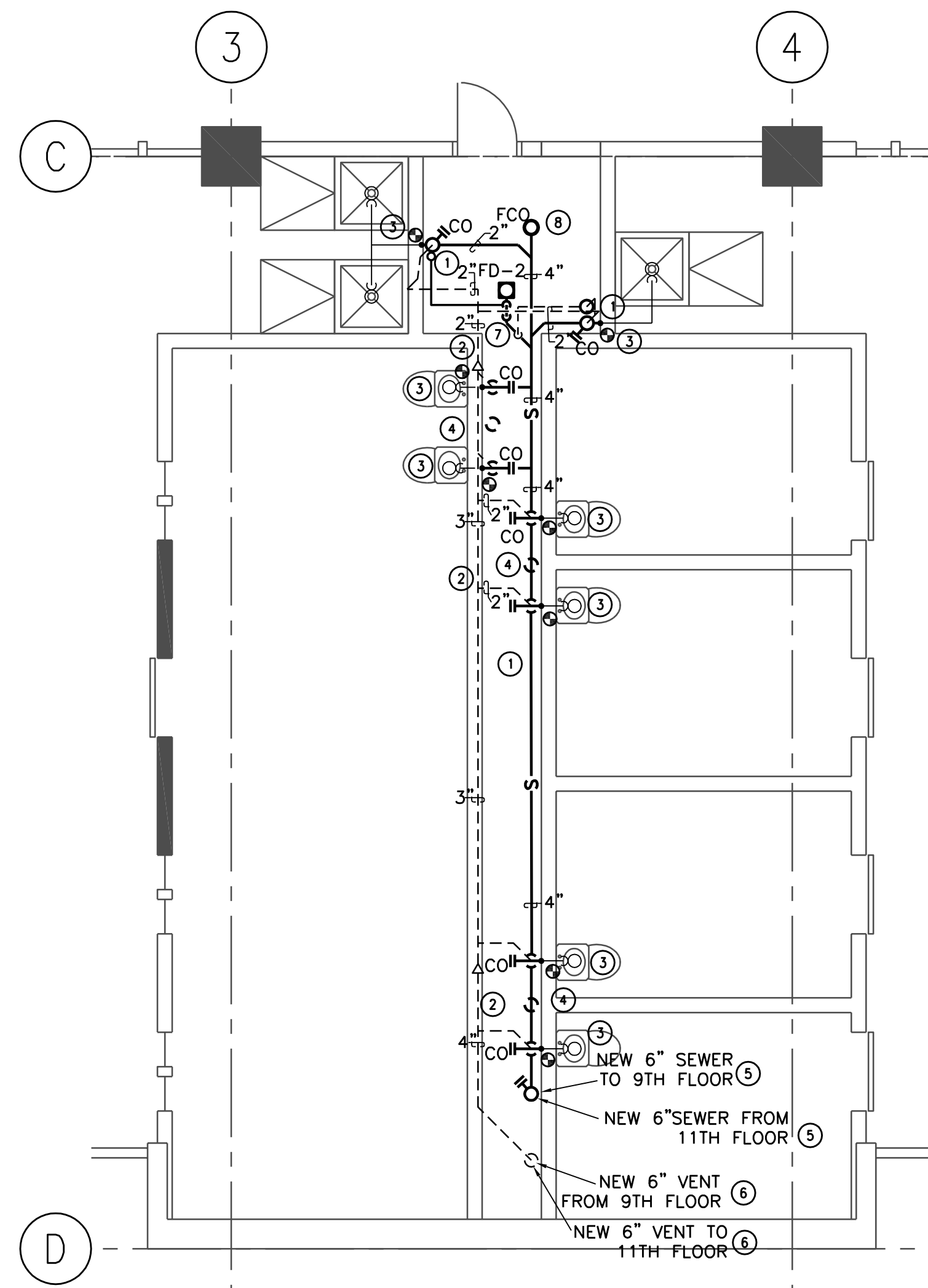


THE SEAL APPEARING ON THIS DOCUMENT WAS AUTHORIZED BY MELVIN G. GLASS, P.E. #64935 OF EMC ENGINEERS (TEXAS FIRM REG. #24991) ON JANUARY 28, 2022. ALLEGATION OF A SEALED DOCUMENT WITHOUT PROPER NOTIFICATION TO THE RESPONSIBLE ENGINEER IS AN OFFENSE UNDER THE TEXAS ENGINEERING PRACTICE ACT.

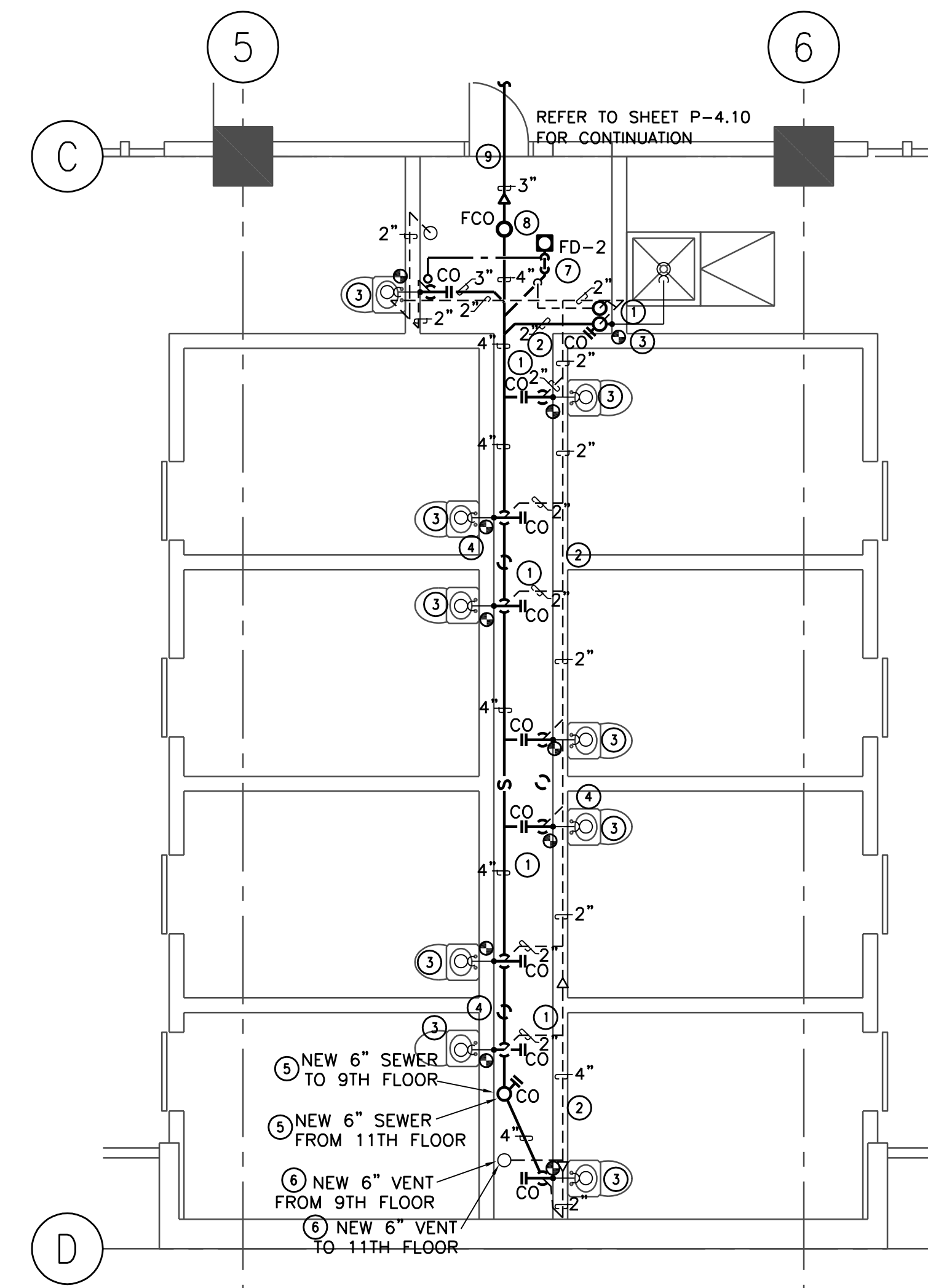
Project:	UPGRADE AND REPLACE THE SANITARY SEWER SYSTEM AT THE EL PASO COUNTY DETENTION FACILITY
Location:	601 E OVERLAND STREET EL PASO, TEXAS
Job Number:	ETC-2108022
Date:	11/23/2021
Scale:	A5 SHOWN
Sheet:	P-5.33
88 of:	X



1 TENTH FLOOR ENLARGED REMODEL PLUMBING SEWER WASTE AND VENT PIPING FLOOR PLAN
 SCALE: 1/4" = 1'-0"
 REFER TO DEMOLITION PLAN 1P-3.16



2 TENTH FLOOR ENLARGED REMODEL PLUMBING SEWER WASTE AND VENT PIPING FLOOR PLAN
 SCALE: 1/4" = 1'-0"
 REFER TO DEMOLITION PLAN 2P-3.16



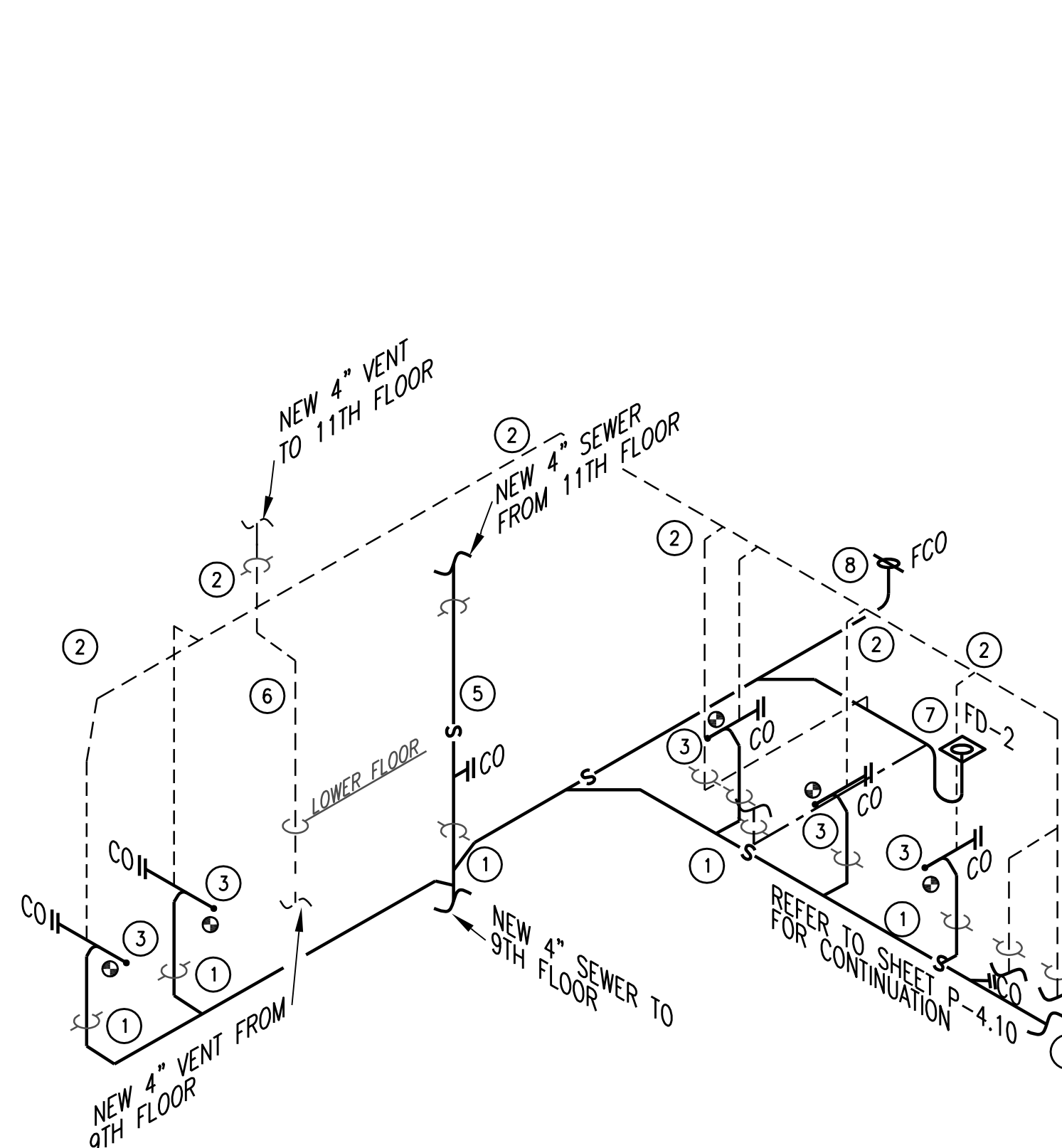
3 TENTH FLOOR ENLARGED REMODEL PLUMBING SEWER WASTE AND VENT PIPING FLOOR PLAN
 SCALE: 1/4" = 1'-0"
 REFER TO DEMOLITION PLAN 3P-3.16

REMODEL PLUMBING GENERAL NOTES:

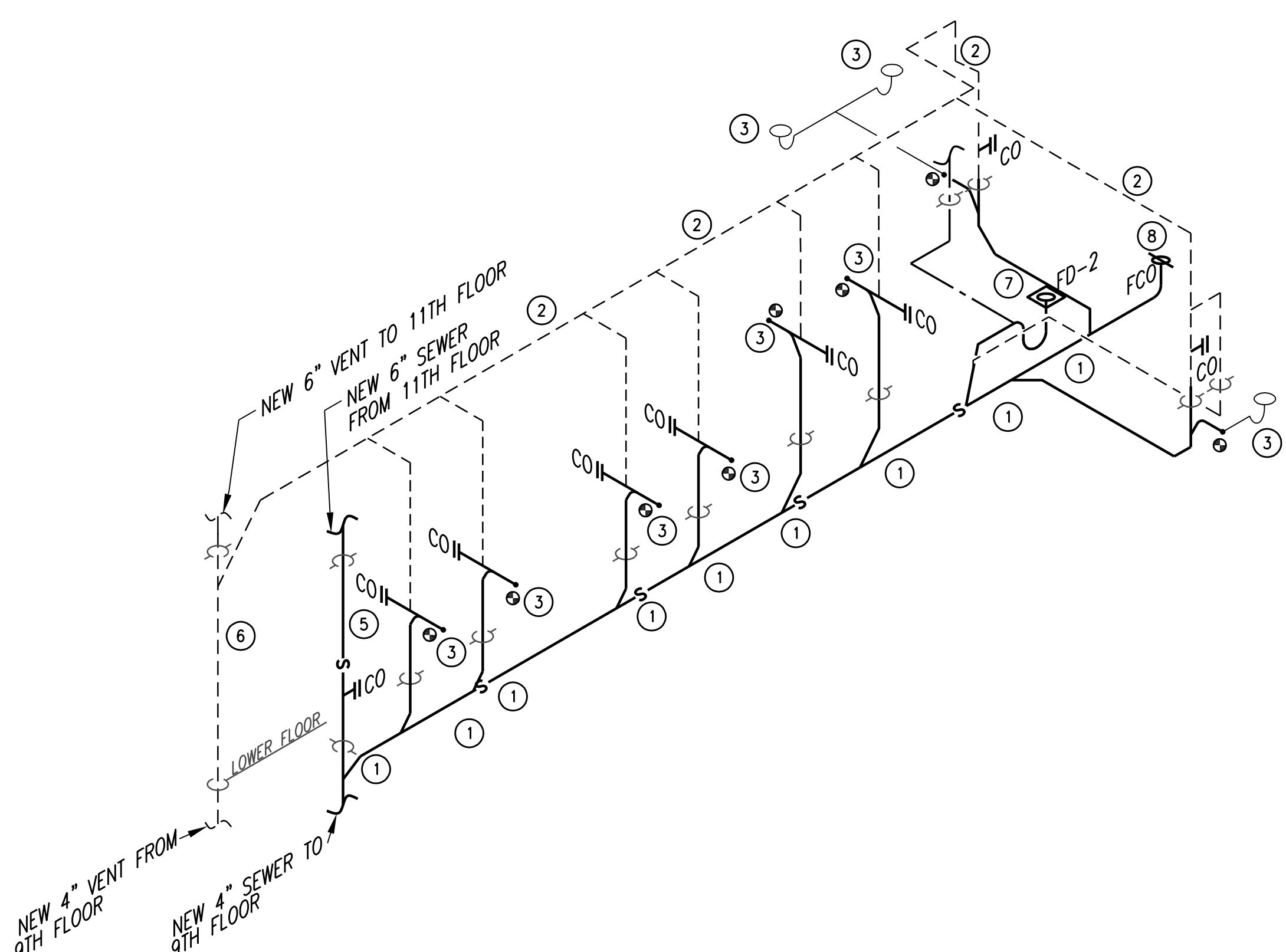
- 1 THE INTENT IS TO REMODEL REPLACEMENT OF THE SEWER AND VENTING SYSTEMS FOR THE FACILITY. THIS FACILITY IS A 24/7 SECURED OPERATION FACILITY. SO THE CONTRACTOR SHALL COORDINATE ALL DEMOLITION AND REMODEL WORK WITH THE DETENTION PERSONNEL.
- 2 SOME PLUMBING CHASES CONTAIN MECHANICAL DUCTWORK, THE CONTRACTOR SHALL COORDINATE THE INSTALLATION OF NEW SEWER AND VENT PIPING WITH THIS DUCTWORK.

REMODEL PLUMBING KEYED NOTES:

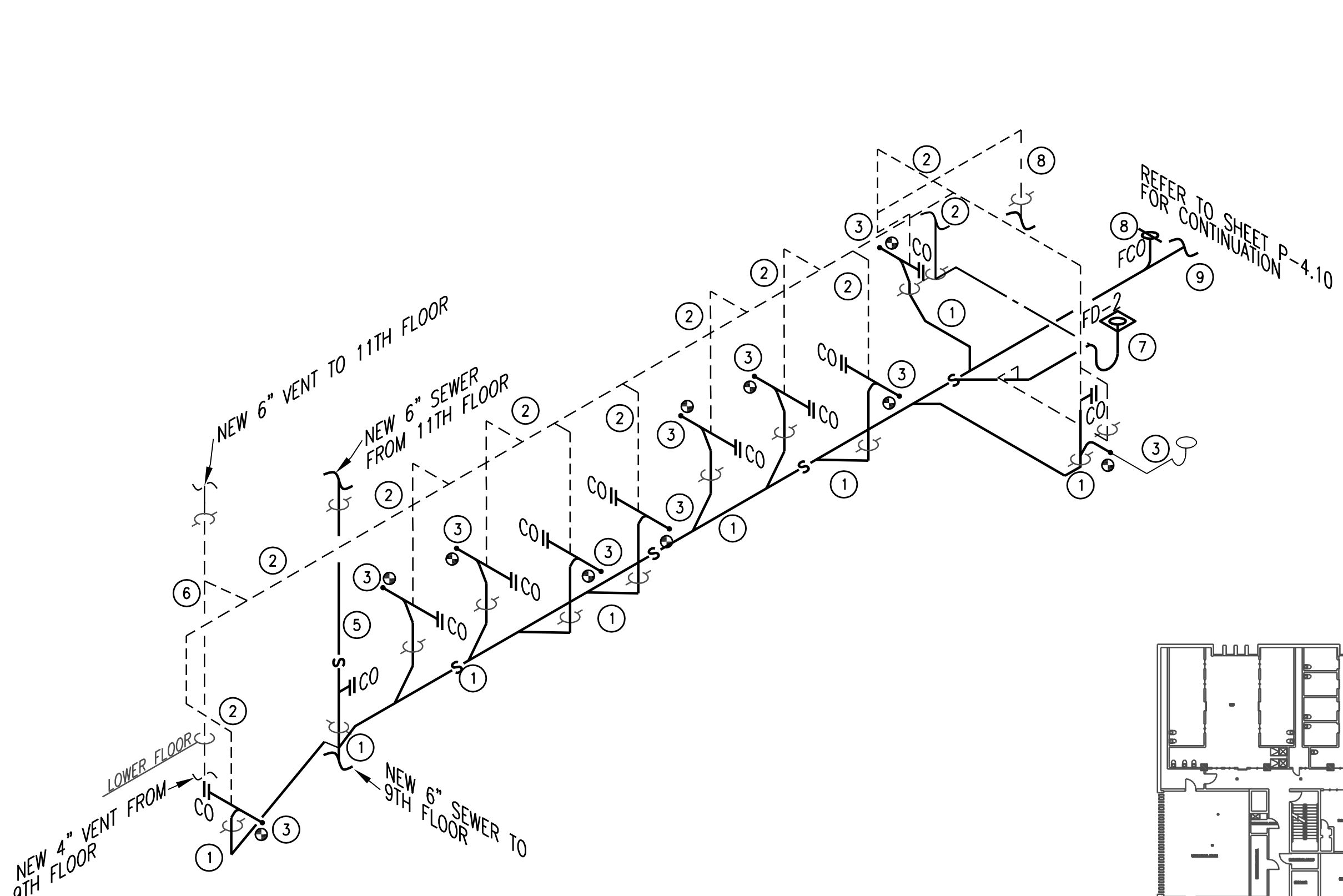
- 1 REPLACE EXISTING SEWER WITH NEW SEWER PIPING AT SIZE AS INDICATED INSTALL AND SUPPORT PIPING PER SCHEMATICS 8/P1.01, 9/P-1.01 AND 12/P-1.01.
- 2 REPLACE EXISTING VENT WITH NEW VENT PIPING AT SIZE AS INDICATED INSTALL AND SUPPORT PIPING PER SCHEMATICS 8/P1.01, 9/P-1.01 AND 12/P-1.01.
- 3 EXISTING SEWER AND VENT PIPING FROM STAND ALONE WC, FLOOR DRAINS, AND SHOWER ASSEMBLIES FIXTURE IS TO REMAIN AND BE RECONNECTED TO THE NEW SEWER MAIN AT WALL/FLOOR PENETRATION AS INDICATED.
- 4 EXISTING FLOOR PENETRATION TO BE FILLED IN WITH CONCRETE TO SEAL THE OPENING.
- 5 NEW MAIN SEWER RISER PIPING IS TO REPLACE THE EXISTING RISER IN THE SAME PLACE IN CHASE TO BE INSTALLED IN SAME LOCATION OF EXISTING MAIN SEWER RISER PIPING, REFER TO SCHEMATIC 8/P-1.01 FOR FLOOR PENETRATION.
- 6 NEW MAIN VENT RISER PIPING IS TO REPLACE THE EXISTING RISER IN THE SAME PLACE IN CHASE TO BE INSTALLED IN SAME LOCATION OF EXISTING MAIN VENT RISER PIPING, REFER TO SCHEMATIC 8/P-1.01 FOR FLOOR PENETRATION.
- 7 NEW FLOOR DRAIN (FD-2) TO BE INSTALLED IN PLUMBING CHASE, REFER TO 11/P-1.01 FOR FURTHER INFORMATION.
- 8 NEW FLOOR CLEANOUT (FCO) TO BE INSTALLED PER SCHEMATIC 1/P-1.01.
- 9 PIPING PENETRATION WALL PER SCHEMATIC 7/P1.01.



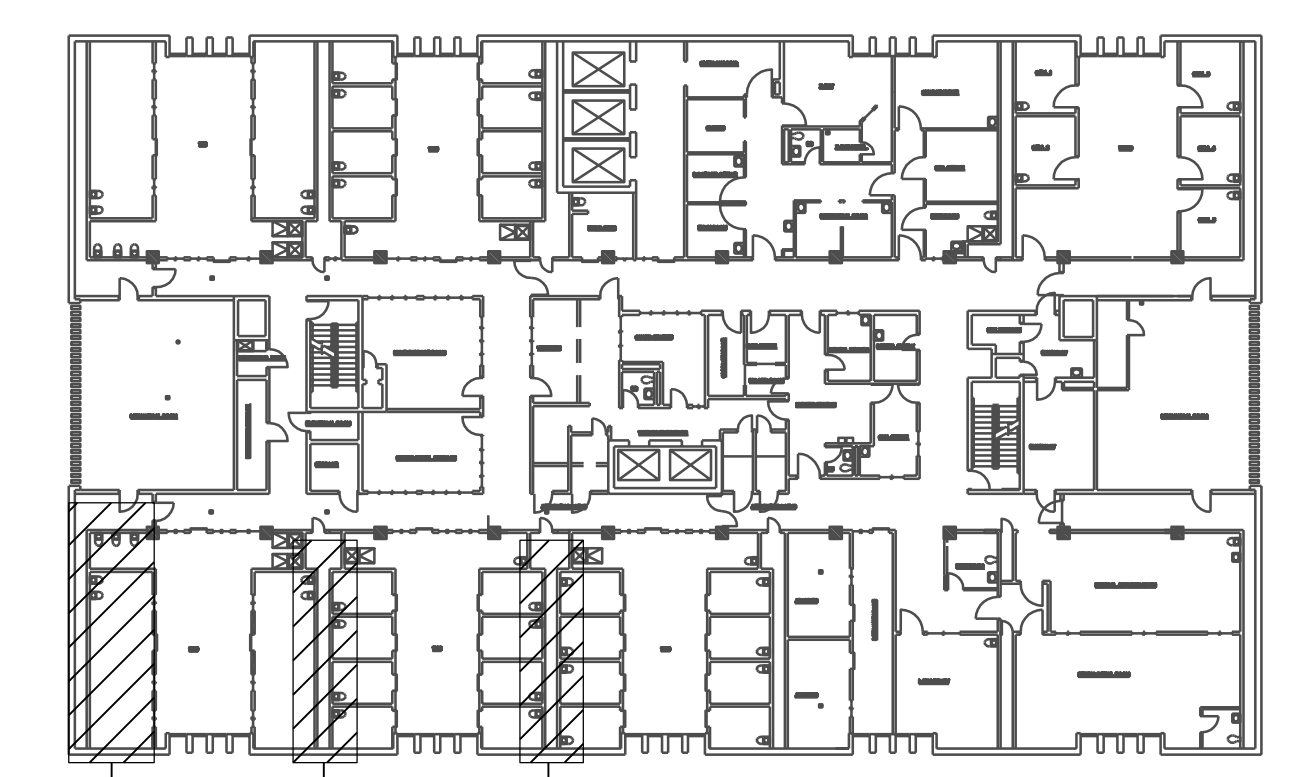
4 SEWER WASTE AND VENT PIPING ISOMETRIC
 SCALE: NONE
 REFER TO 1P-5.33 FOR FLOOR PLAN



5 SEWER WASTE AND VENT PIPING ISOMETRIC
 SCALE: NONE
 REFER TO 2P-5.33 FOR FLOOR PLAN

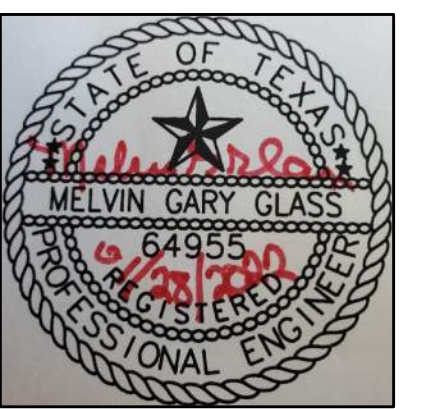


6 SEWER WASTE AND VENT PIPING ISOMETRIC
 SCALE: NONE
 REFER TO 3P-5.33 FOR FLOOR PLAN

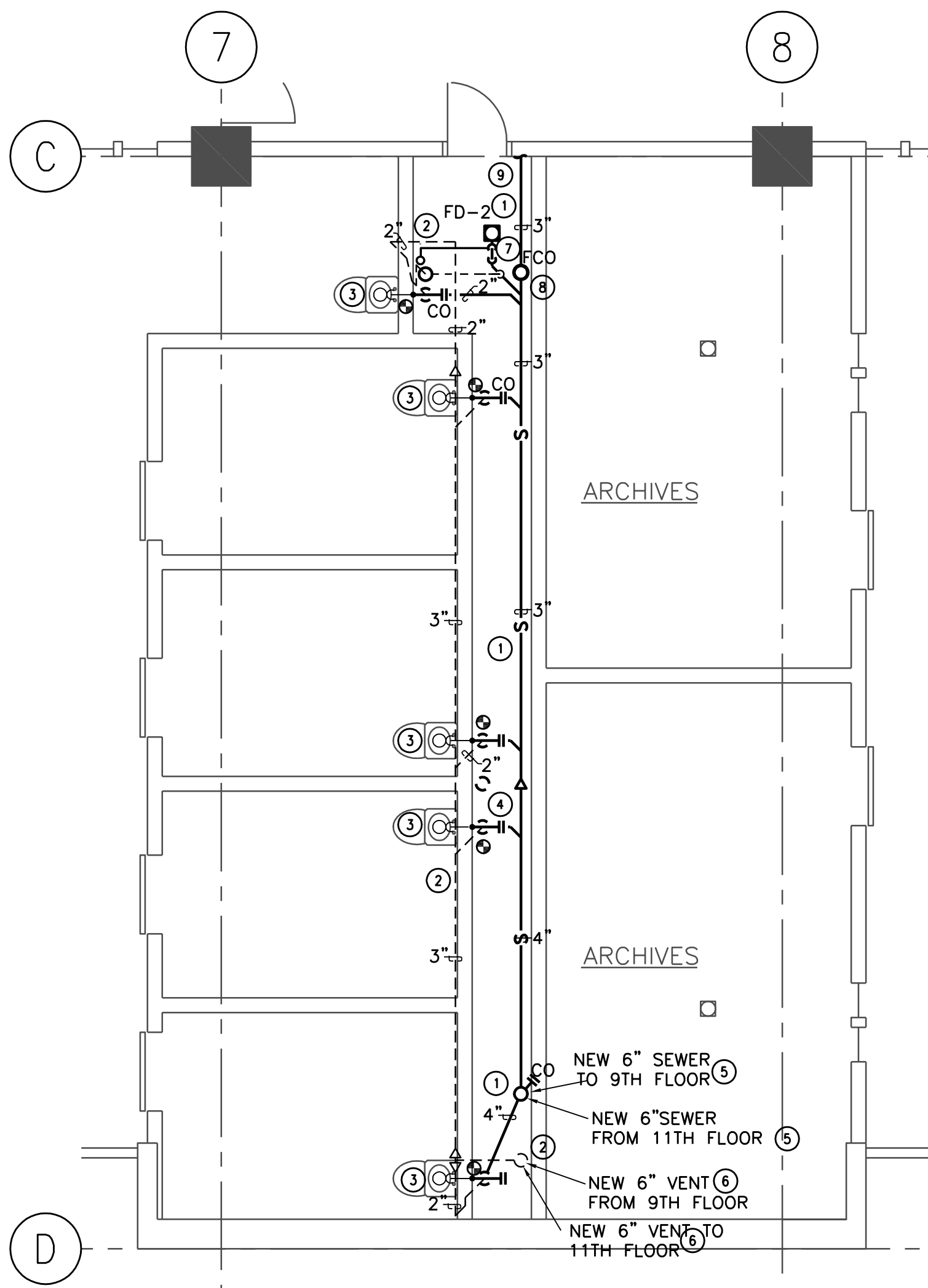


TENTH FLOOR KEY PLAN
 SCALE: NONE

THIS DOCUMENT, WHETHER IN HARD COPY OR MACHINE READABLE FORMAT, IS COPYRIGHTED AND AN INSTRUMENT OF SERVICES IN RESPECT TO THE PROJECT FOR WHICH IT WAS PREPARED. THIS DOCUMENT IS NOT INTENDED OR AUTHORIZED FOR REUSE BY ANY PARTY ON EXTENSIONS OF SUCH PROJECT OR ANY OTHER PROJECT. ANY REUSE, INCLUDING COPYING AND/OR MODIFYING THE DOCUMENT, WITHOUT WRITTEN PERMISSION FROM EMC ENGINEERS FOR THE SPECIFIC PURPOSE INTENDED IS A VIOLATION OF FEDERAL COPYRIGHT LAW. UNAUTHORIZED USE OF THIS MATERIAL MAY RESULT IN CIVIL AND/OR CRIMINAL PENALTIES.
 COPY RIGHT 2013 EMC ENGINEERS.

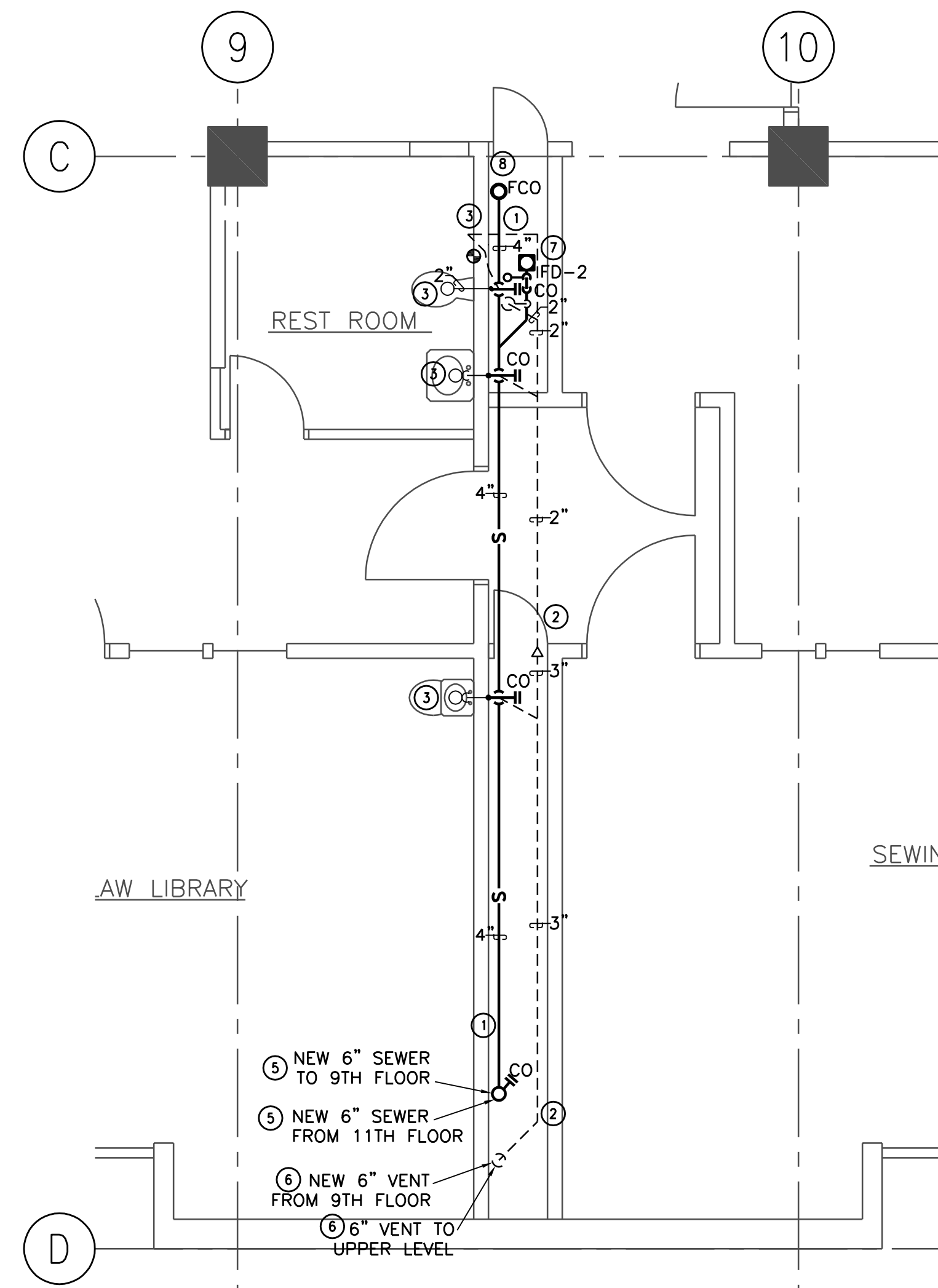


THE SEAL APPEARING ON THIS DOCUMENT WAS AUTHORIZED BY MELVIN G. GLASS, P.E. #64935 OF EMC ENGINEERS (TEXAS FIRM REG. #24991) ON JANUARY 28, 2022. ANY ALTERATION OR REPRODUCTION WITHOUT PROPER NOTIFICATION TO THE RESPONSIBLE ENGINEER IS AN OFFENSE UNDER THE TEXAS ENGINEERING PRACTICE ACT.



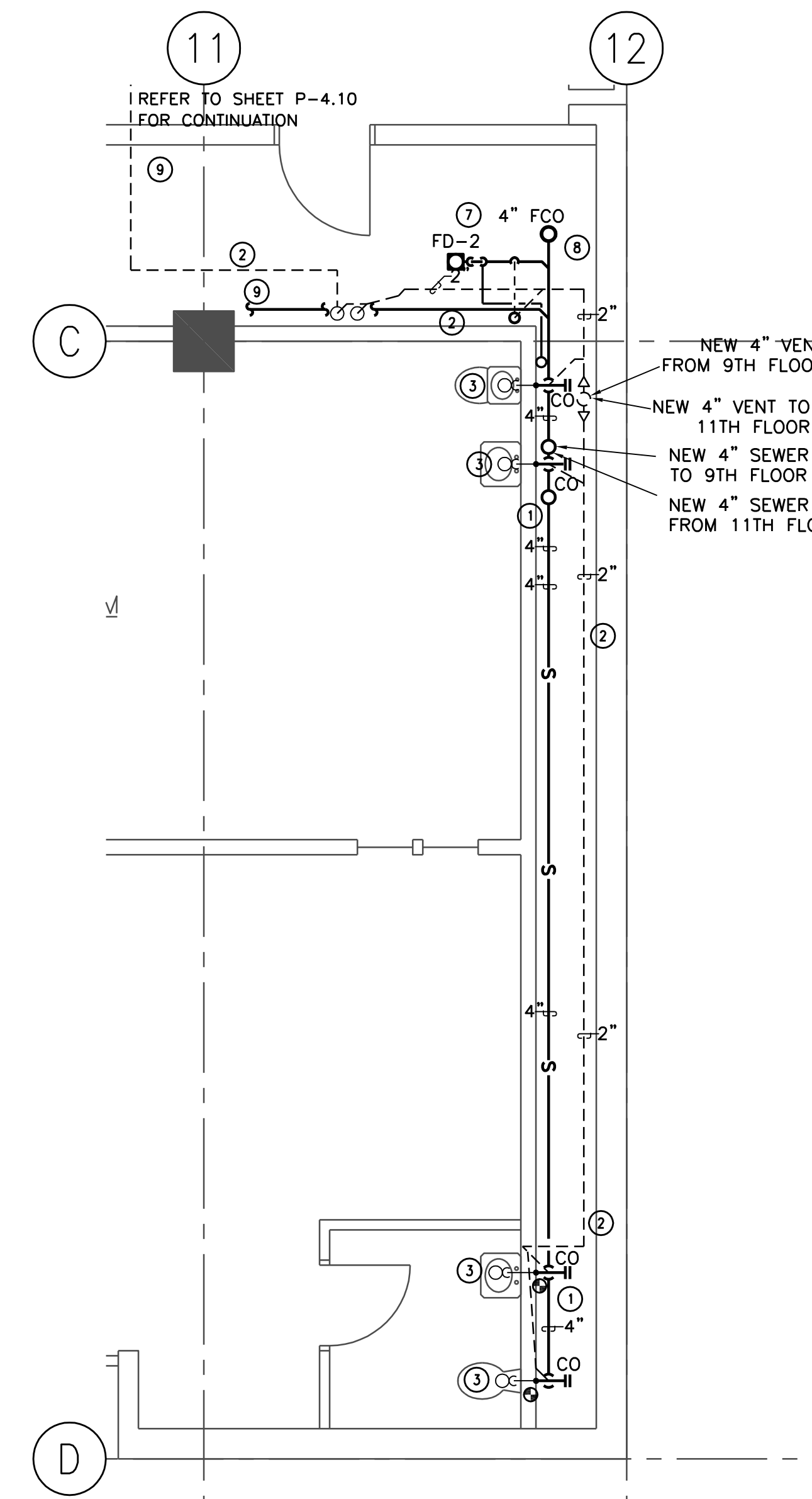
TENTH FLOOR ENLARGED REMODEL PLUMBING SEWER WASTE AND VENT PIPING FLOOR PLAN

1
P-534
SCALE: 1/4" = 1'-0"
REFER TO DEMOLITION PLAN 4/P-316



TENTH FLOOR ENLARGED REMODEL PLUMBING SEWER WASTE AND VENT PIPING FLOOR PLAN

2
P-534
SCALE: 1/4" = 1'-0"
REFER TO DEMOLITION PLAN 5/P-316



TENTH FLOOR ENLARGED REMODEL PLUMBING SEWER WASTE AND VENT PIPING FLOOR PLAN

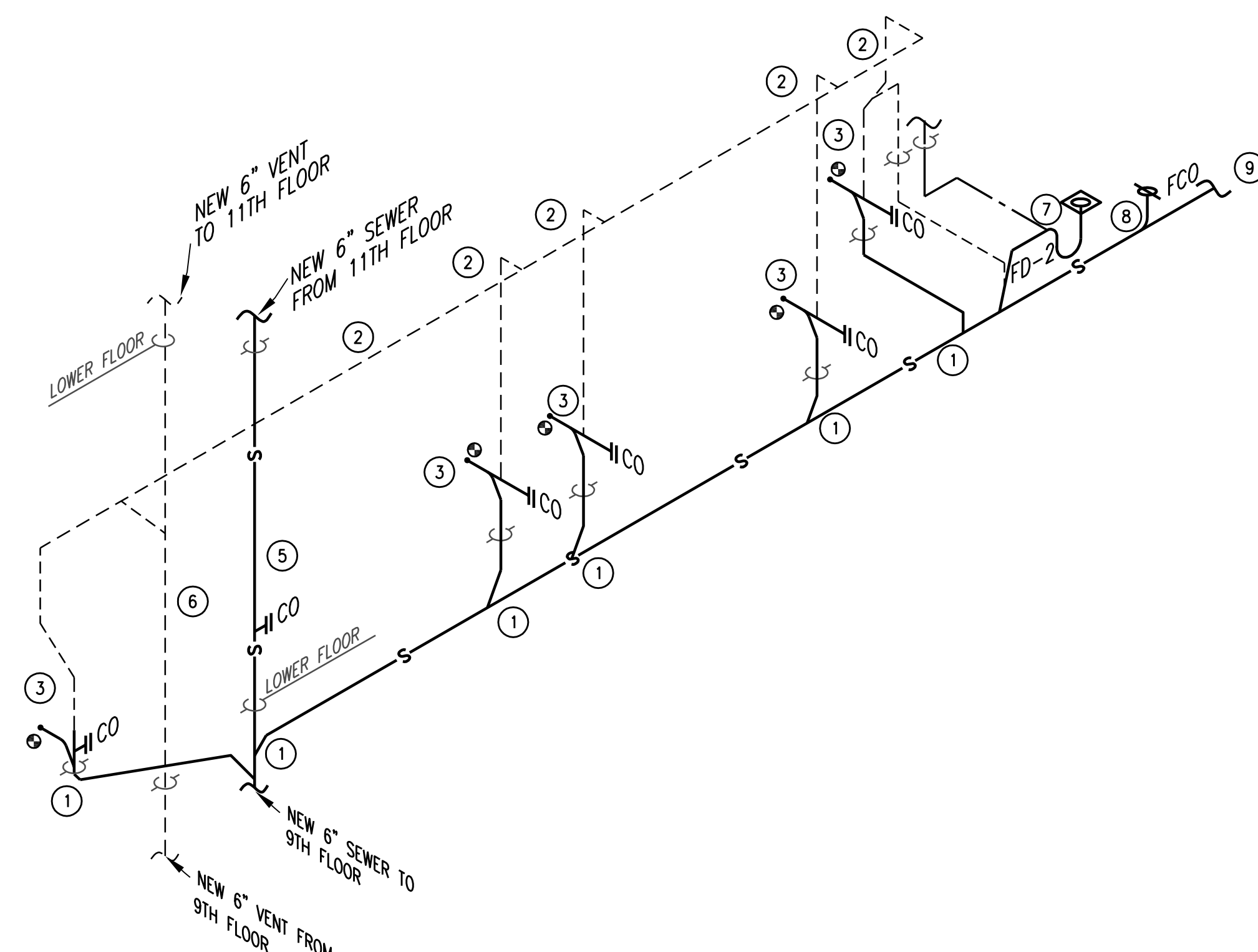
3
P-534
SCALE: 1/4" = 1'-0"
REFER TO DEMOLITION PLAN 6/P-316

REMODEL PLUMBING GENERAL NOTES:

- 1 THE INTENT IS TO REMODEL REPLACEMENT OF THE SEWER AND VENTING SYSTEMS FOR THE FACILITY. THIS FACILITY IS A 24/7 SECURED OPERATION FACILITY, SO THE CONTRACTOR SHALL COORDINATE ALL DEMOLITION AND REMODEL WORK WITH THE DETENTION PERSONNEL.
- 2 SOME PLUMBING CHASES CONTAIN MECHANICAL DUCTWORK, THE CONTRACTOR SHALL COORDINATE THE INSTALLATION OF NEW SEWER AND VENT PIPING WITH THIS DUCTWORK.

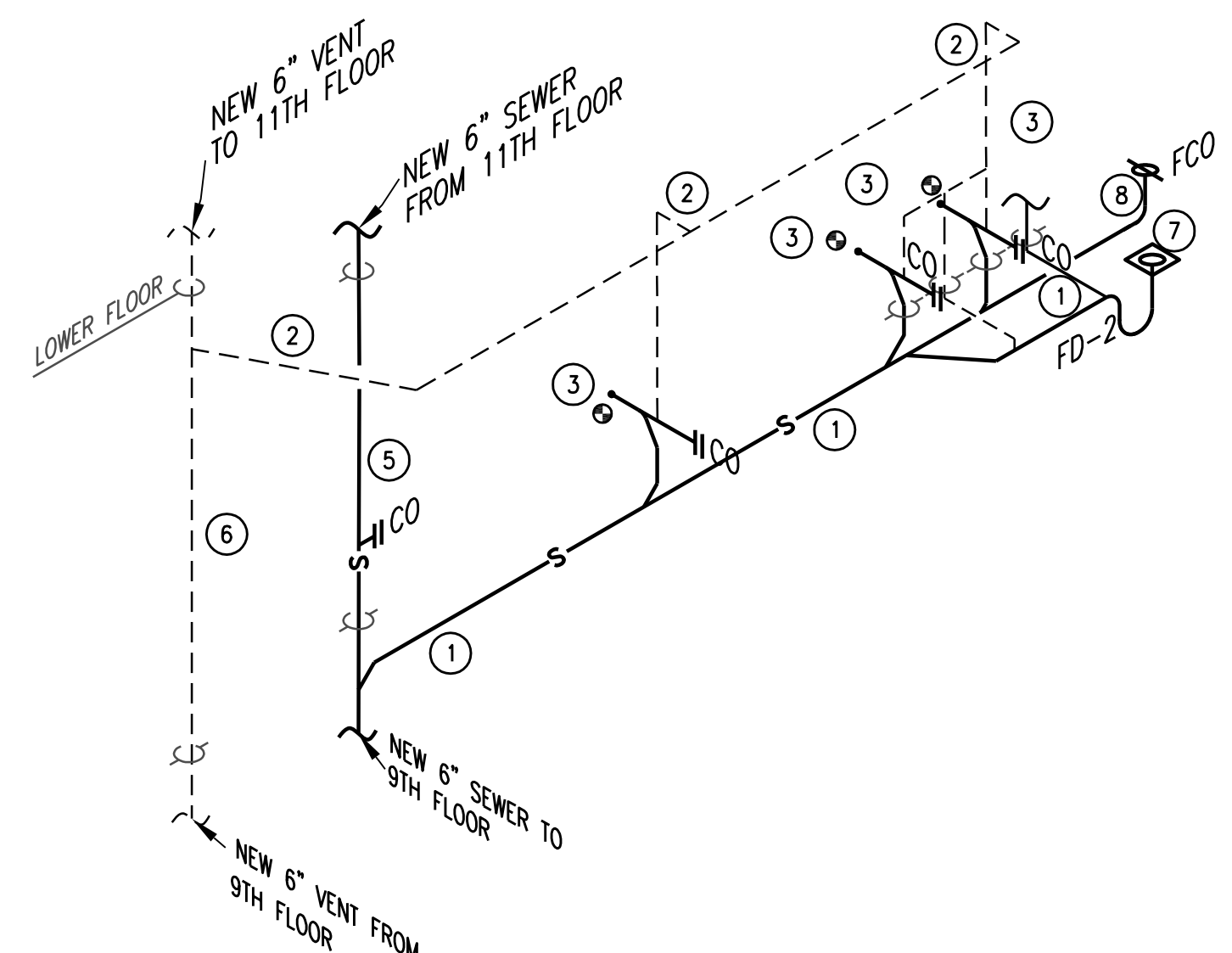
REMODEL PLUMBING KEYED NOTES:

- 1 REPLACE EXISTING SEWER WITH NEW SEWER PIPING AT SIZE AS INDICATED INSTALL AND SUPPORT PIPING PER SCHEMATICS 8/P.1.01, 9/P-1.01 AND 12/P-1.01.
- 2 REPLACE EXISTING VENT WITH NEW VENT PIPING AT SIZE AS INDICATED INSTALL AND SUPPORT PIPING PER SCHEMATICS 8/P.1.01, 9/P-1.01 AND 12/P-1.01.
- 3 EXISTING SEWER AND VENT PIPING FROM STAND ALONE WC, FLOOR DRAINS, AND SHOWER ASSEMBLY FIXTURE IS TO REMAIN AND BE RECONNECTED TO THE NEW SEWER MAIN AT WALL/FLOOR PENETRATION AS INDICATED.
- 4 EXISTING FLOOR PENETRATION TO BE FILLED IN WITH CONCRETE TO SEAL THE OPENING.
- 5 NEW MAIN SEWER RISER PIPING IS TO REPLACE THE EXISTING RISER IN THE SAME PLACE IN CHASE TO BE INSTALLED IN SAME LOCATION OF EXISTING MAIN SEWER RISER PIPING, REFER TO SCHEMATIC 8/P-1.01 FOR FLOOR PENETRATION.
- 6 NEW MAIN VENT RISER PIPING IS TO REPLACE THE EXISTING RISER IN THE SAME PLACE IN CHASE TO BE INSTALLED IN SAME LOCATION OF EXISTING MAIN VENT RISER PIPING, REFER TO SCHEMATIC 8/P-1.01 FOR FLOOR PENETRATION.
- 7 NEW FLOOR DRAIN (FD-2) TO BE INSTALLED IN PLUMBING CHASE, REFER TO 11/P-1.01 FOR FURTHER INFORMATION.
- 8 NEW FLOOR CLEANOUT (FCO) TO BE INSTALLED PER SCHEMATIC 1/P-1.01.
- 9 PIPING PENETRATION WALL PER SCHEMATIC 7/P.1.01.



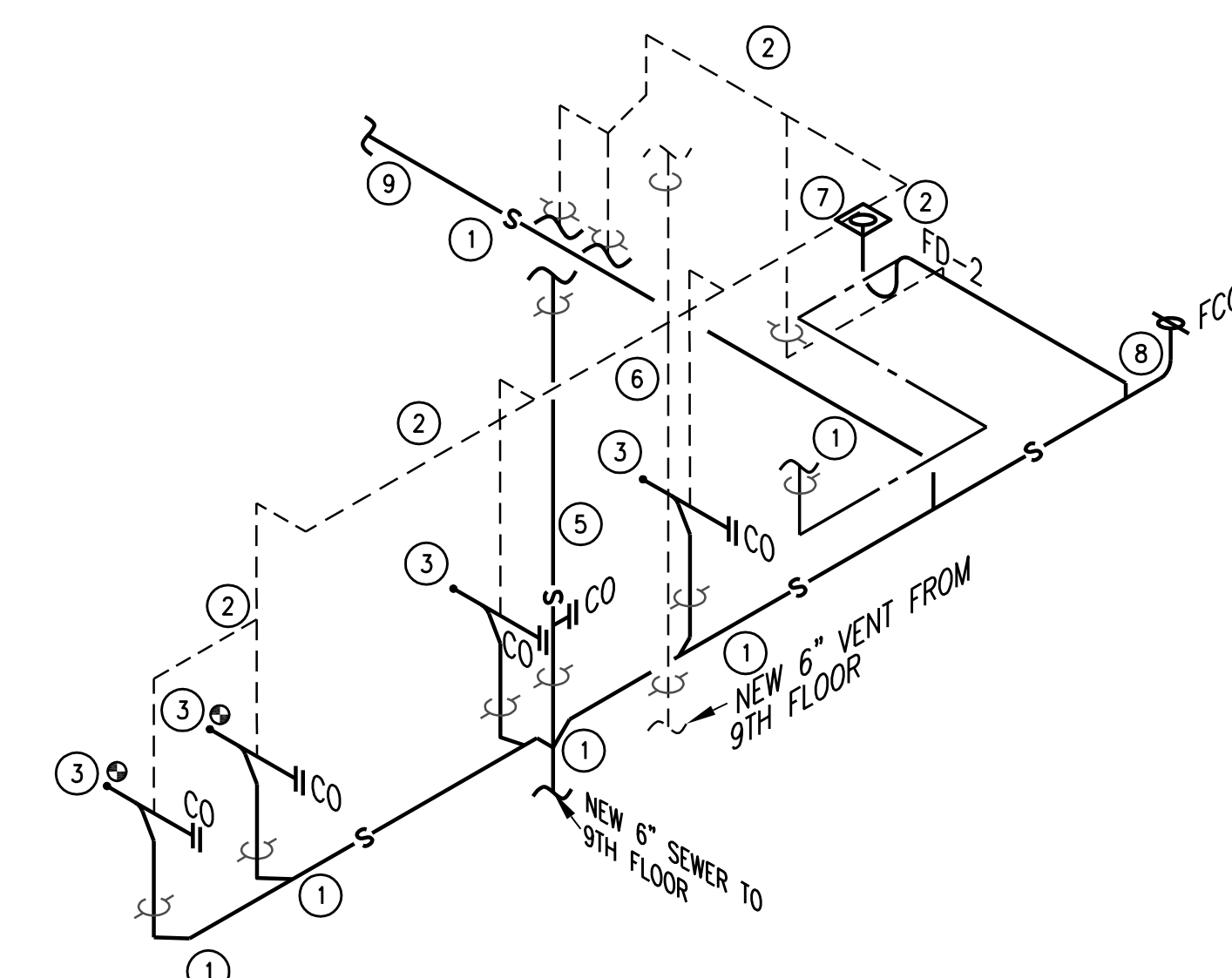
SEWER WASTE AND VENT PIPING ISOMETRIC

4
P-534
SCALE: NONE
REFER TO VP-534 FOR FLOOR PLAN



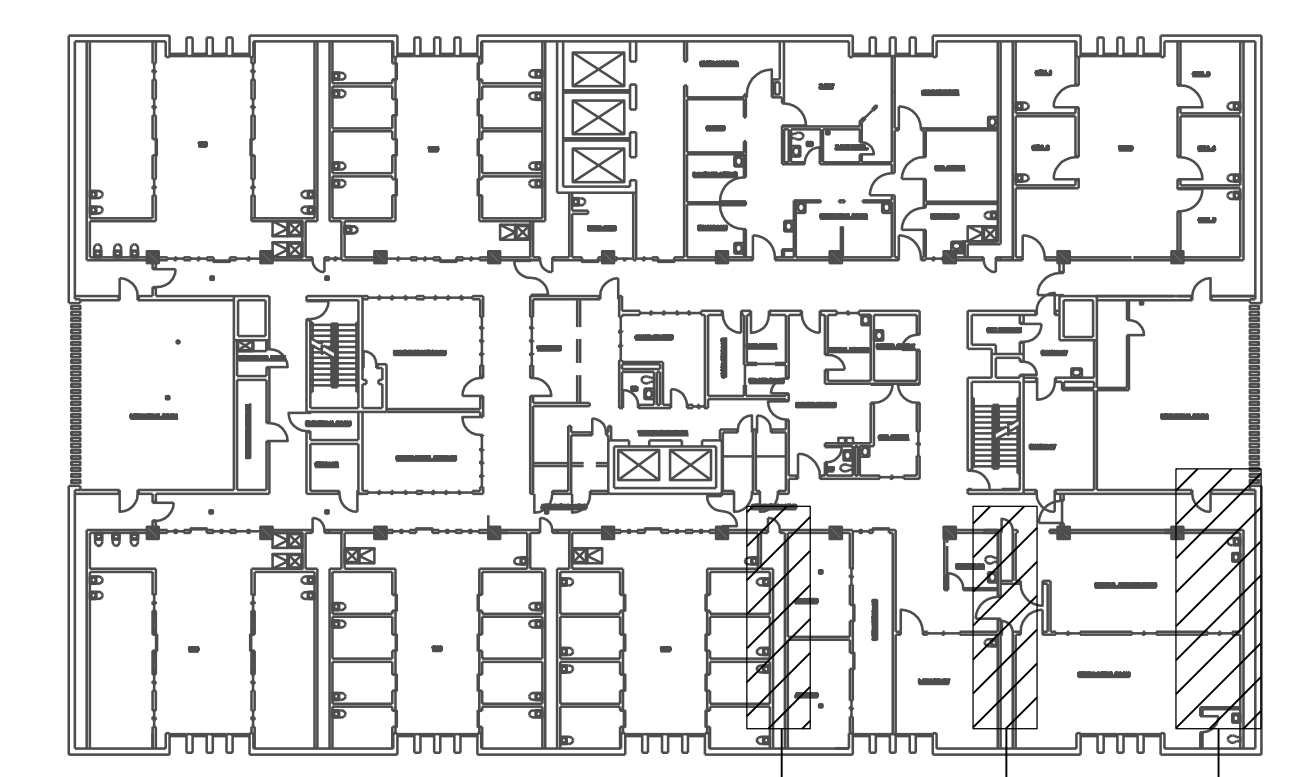
SEWER WASTE AND VENT PIPING ISOMETRIC

5
P-534
SCALE: NONE
REFER TO 2/P-534 FOR FLOOR PLAN



SEWER WASTE AND VENT PIPING ISOMETRIC

6
P-534
SCALE: NONE
REFER TO 3/P-534 FOR FLOOR PLAN

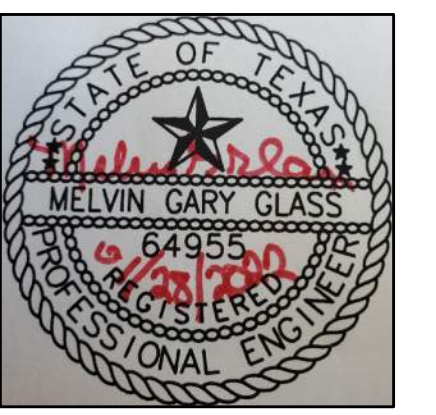


TENTH FLOOR KEY PLAN

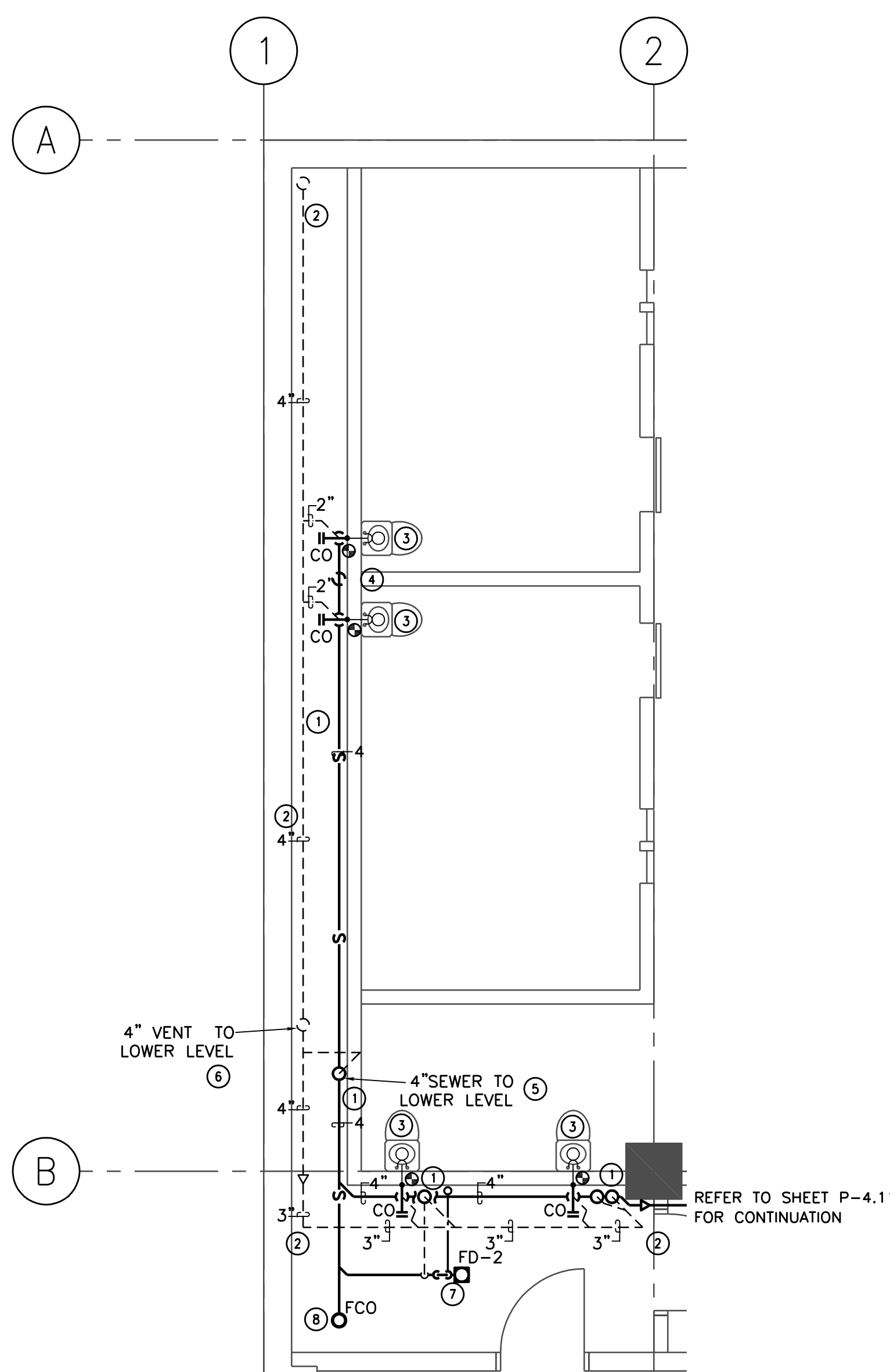
SCALE: NONE

THIS DOCUMENT, WHETHER IN HARD COPY OR MACHINE READABLE FORMAT, IS COPYRIGHTED AND AN INSTRUMENT OF SERVICES IN RESPECT TO THE PROJECT FOR WHICH IT WAS PREPARED. THIS DOCUMENT IS NOT INTENDED OR AUTHORIZED FOR REUSE BY ANY PARTY ON EXTENSIONS OF SUCH PROJECT OR ANY OTHER PROJECT. ANY REUSE, INCLUDING COPYING AND/OR MODIFYING THE DOCUMENT, WITHOUT WRITTEN PERMISSION FROM EMC ENGINEERS FOR THE SPECIFIC PURPOSE INTENDED IS A VIOLATION OF FEDERAL COPYRIGHT LAW. UNAUTHORIZED USE OF THIS MATERIAL MAY RESULT IN CIVIL AND/OR CRIMINAL PENALTIES.
COPY RIGHT 2013 EMC ENGINEERS.

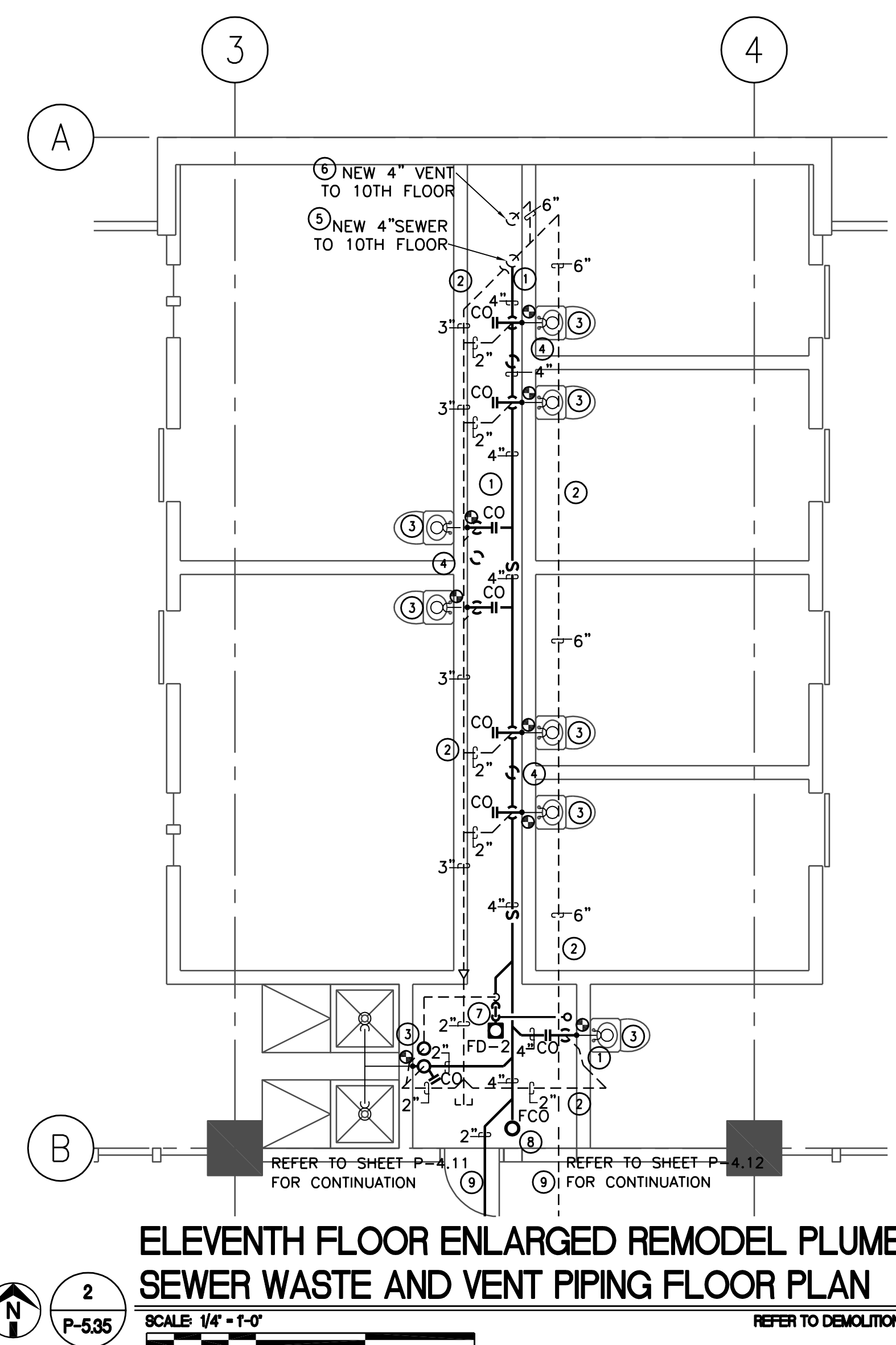
Project:	UPGRADE AND REPLACE THE SANITARY SEWER SYSTEM AT THE EL PASO COUNTY DETENTION FACILITY
Location:	601 E OVERLAND STREET EL PASO, TEXAS
Job Number:	ETC-2108022
Date:	11/23/2021
Scale:	A5 SHOWN
Sheet:	P-534
89 of:	X



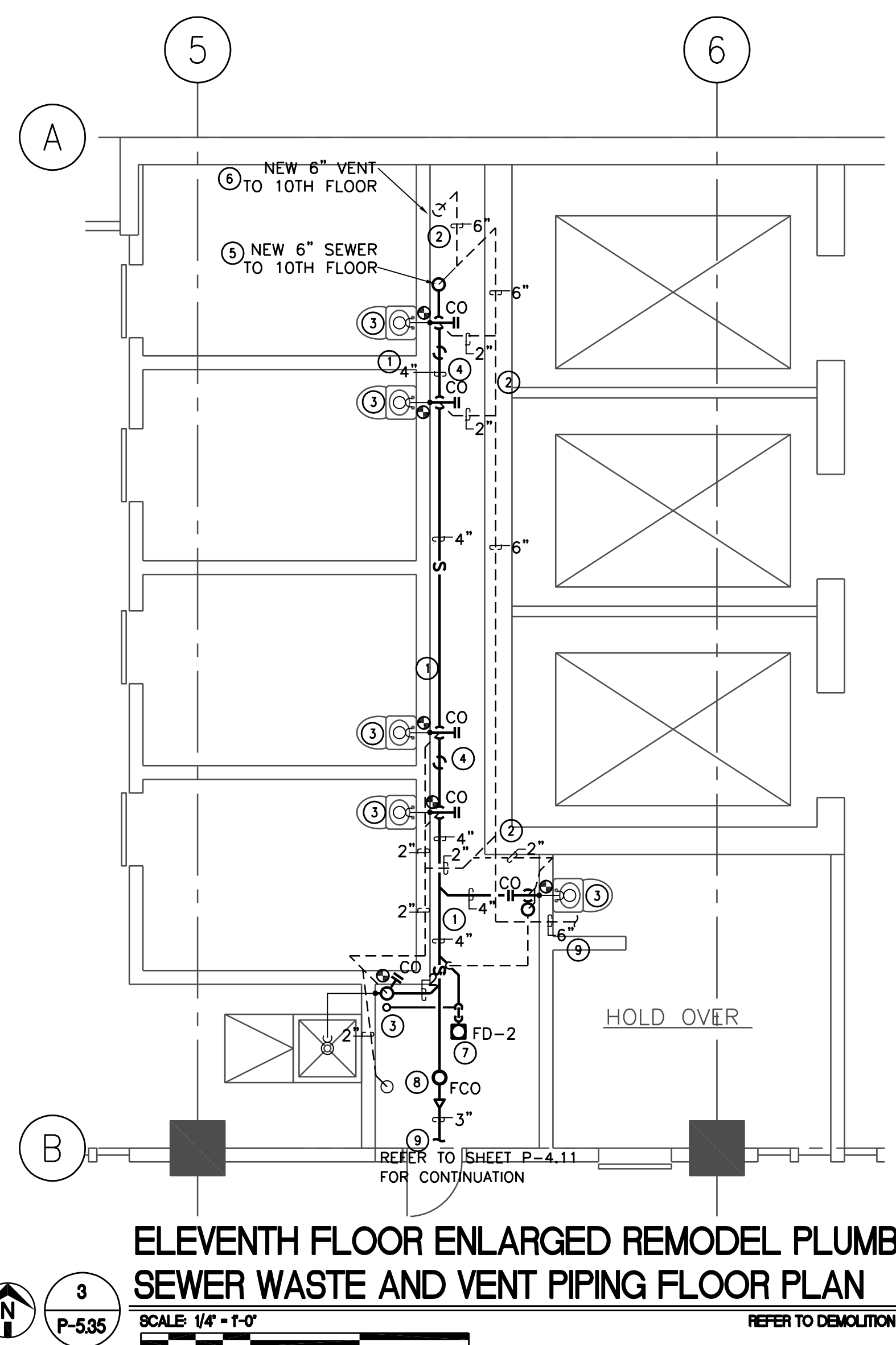
THE SEAL APPEARING ON THIS DOCUMENT WAS AUTHORIZED BY MELVIN G. GLASS, P.E. #64935 OF EMC ENGINEERS (TEXAS FIRM REG. #2491) ON JANUARY 28, 2022. ANY ALTERATION OF A SEALED DOCUMENT WITHOUT PROPER NOTIFICATION TO THE RESPONSIBLE ENGINEER IS AN OFFENSE UNDER THE TEXAS ENGINEERING PRACTICE ACT.



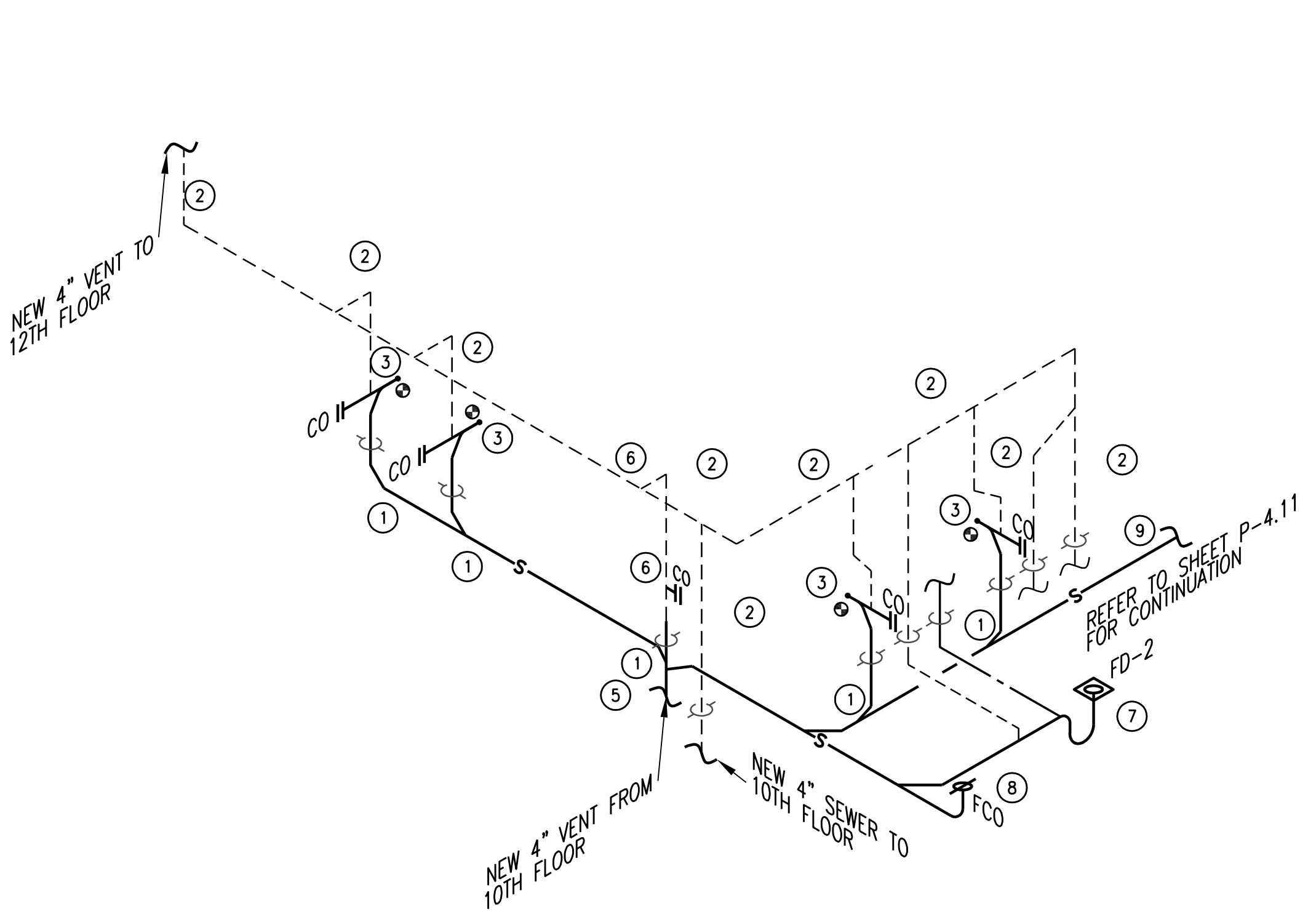
1 ELEVENTH FLOOR ENLARGED REMODEL PLUMBING SEWER WASTE AND VENT PIPING FLOOR PLAN
 SCALE: 1/4" = 1'-0"
 REFER TO DEMOLITION PLAN 1/P-3/7



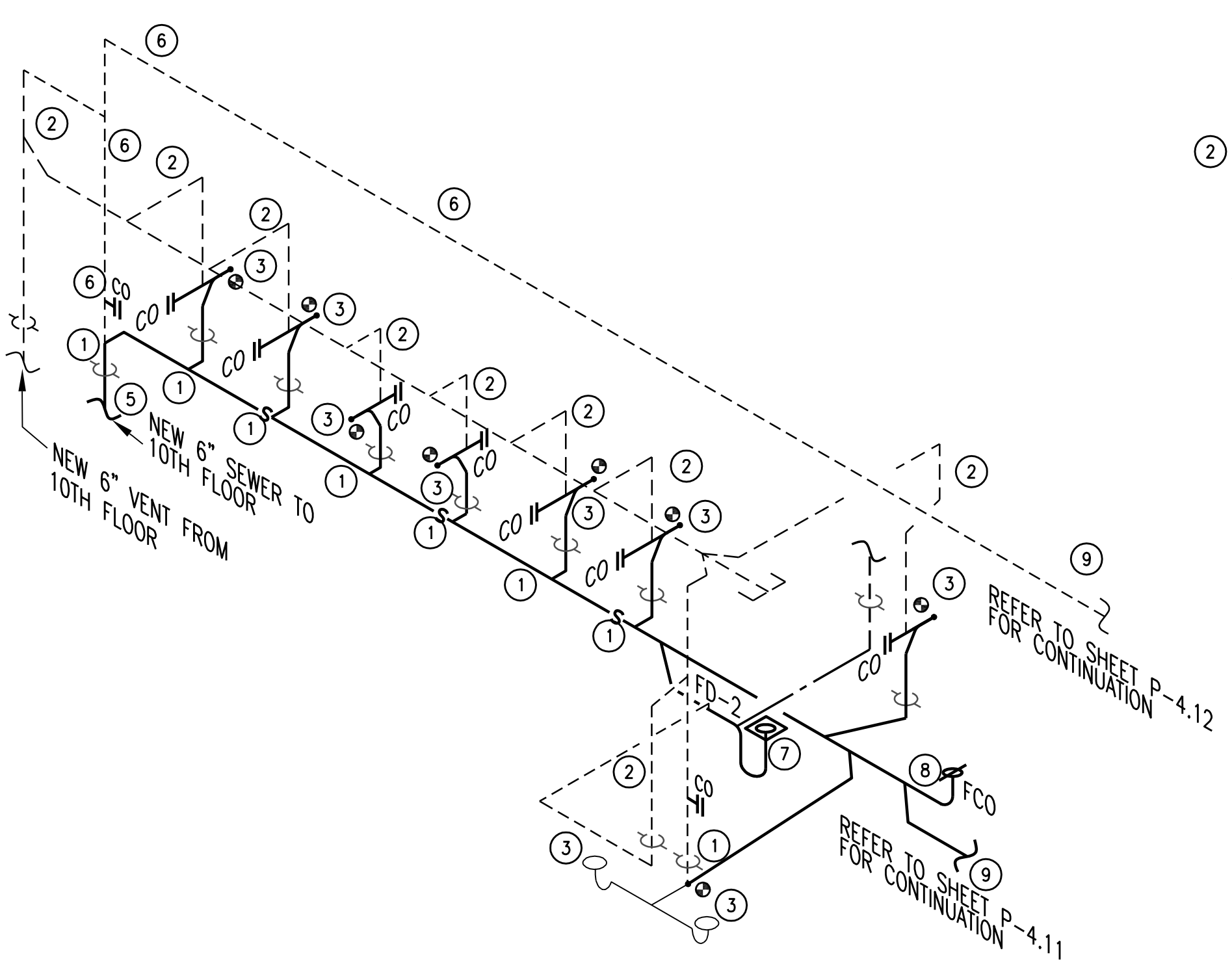
2 ELEVENTH FLOOR ENLARGED REMODEL PLUMBING SEWER WASTE AND VENT PIPING FLOOR PLAN
 SCALE: 1/4" = 1'-0"
 REFER TO DEMOLITION PLAN 2/P-3/7



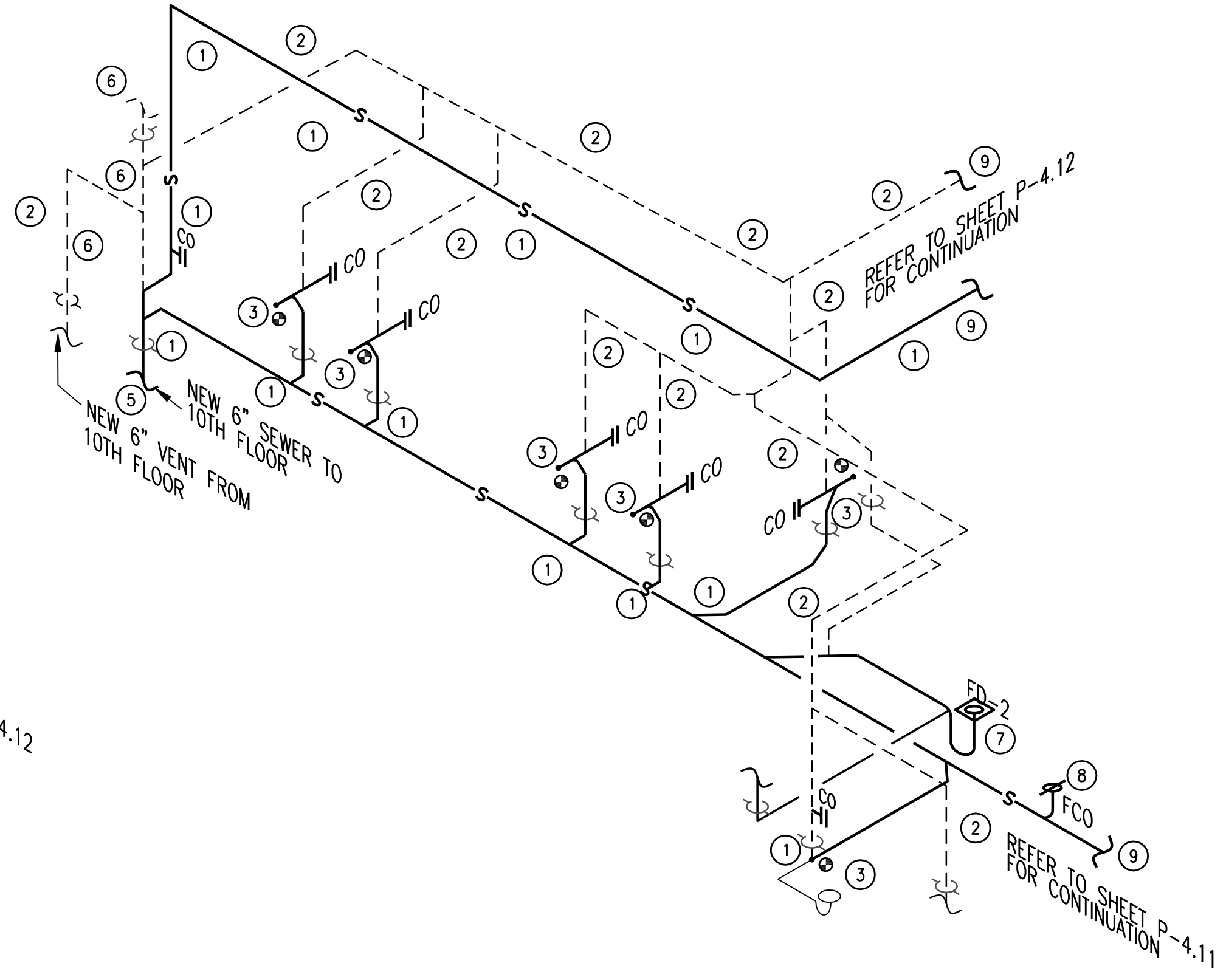
3 ELEVENTH FLOOR ENLARGED REMODEL PLUMBING SEWER WASTE AND VENT PIPING FLOOR PLAN
 SCALE: 1/4" = 1'-0"
 REFER TO DEMOLITION PLAN 3/P-3/7



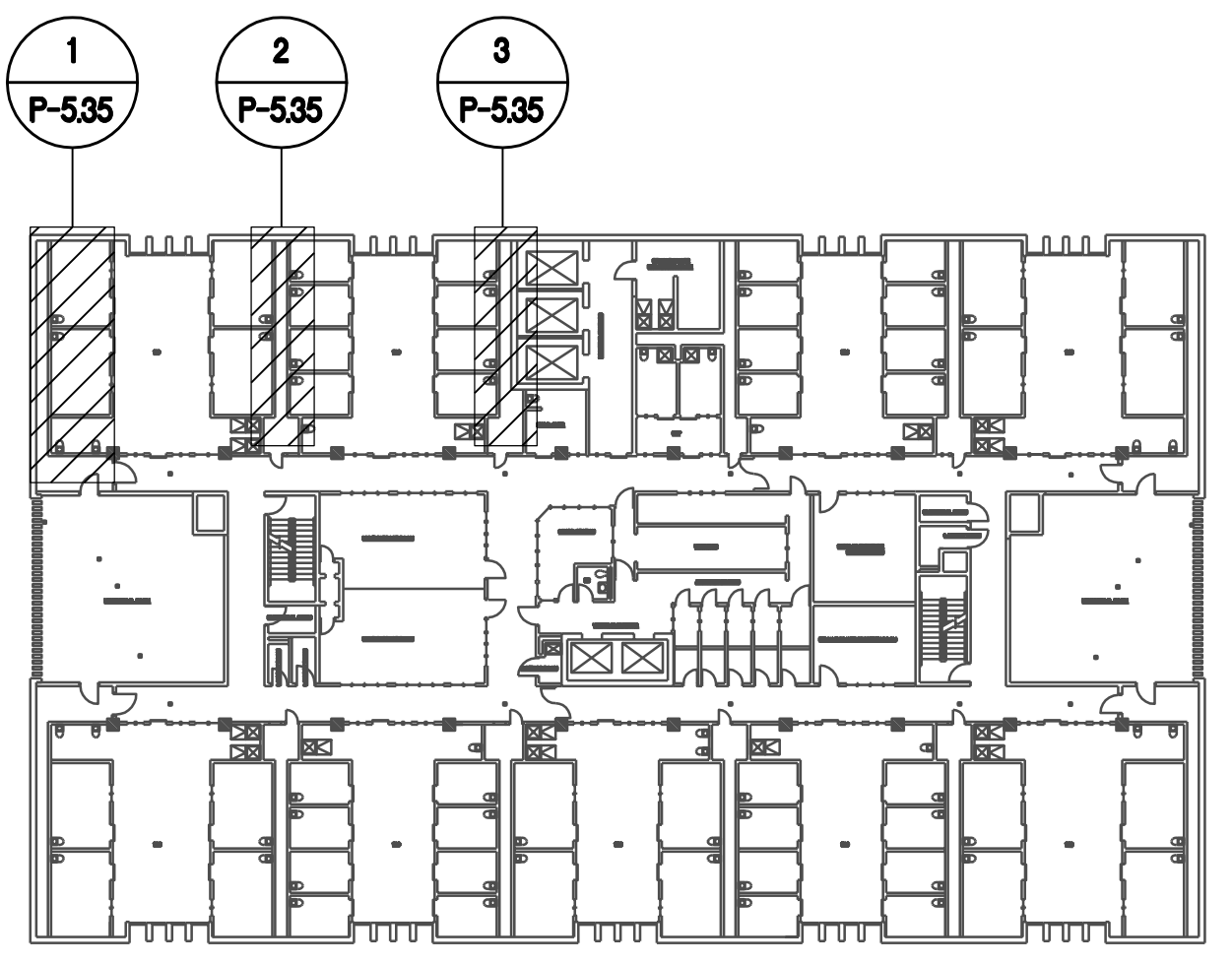
4 SEWER WASTE AND VENT PIPING ISOMETRIC
 SCALE: NONE
 REFER TO 1/P-5/35 FOR FLOOR PLAN



5 SEWER WASTE AND VENT PIPING ISOMETRIC
 SCALE: NONE
 REFER TO 2/P-5/35 FOR FLOOR PLAN



6 SEWER WASTE AND VENT PIPING ISOMETRIC
 SCALE: NONE
 REFER TO 3/P-5/35 FOR FLOOR PLAN



ELEVENTH FLOOR KEY PLAN
 SCALE: NONE

REMODEL PLUMBING GENERAL NOTES:

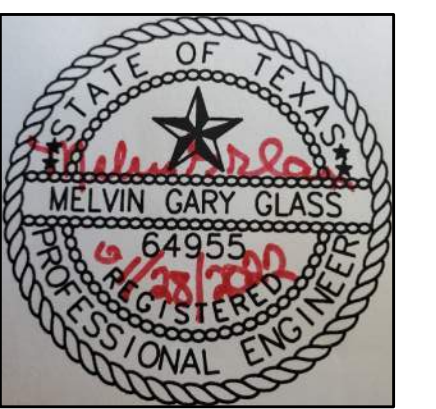
- 1 THE INTENT IS TO REMODEL REPLACEMENT OF THE SEWER AND VENTING SYSTEMS FOR THE FACILITY. THIS FACILITY IS A 24/7 SECURED OPERATION FACILITY. SO THE CONTRACTOR SHALL COORDINATE ALL DEMOLITION AND REMODEL WORK WITH THE DETENTION PERSONNEL.
- 2 SOME PLUMBING CHASES CONTAIN MECHANICAL DUCTWORK. THE CONTRACTOR SHALL COORDINATE THE INSTALLATION OF NEW SEWER AND VENT PIPING WITH THIS DUCTWORK.

REMODEL PLUMBING KEYED NOTES:

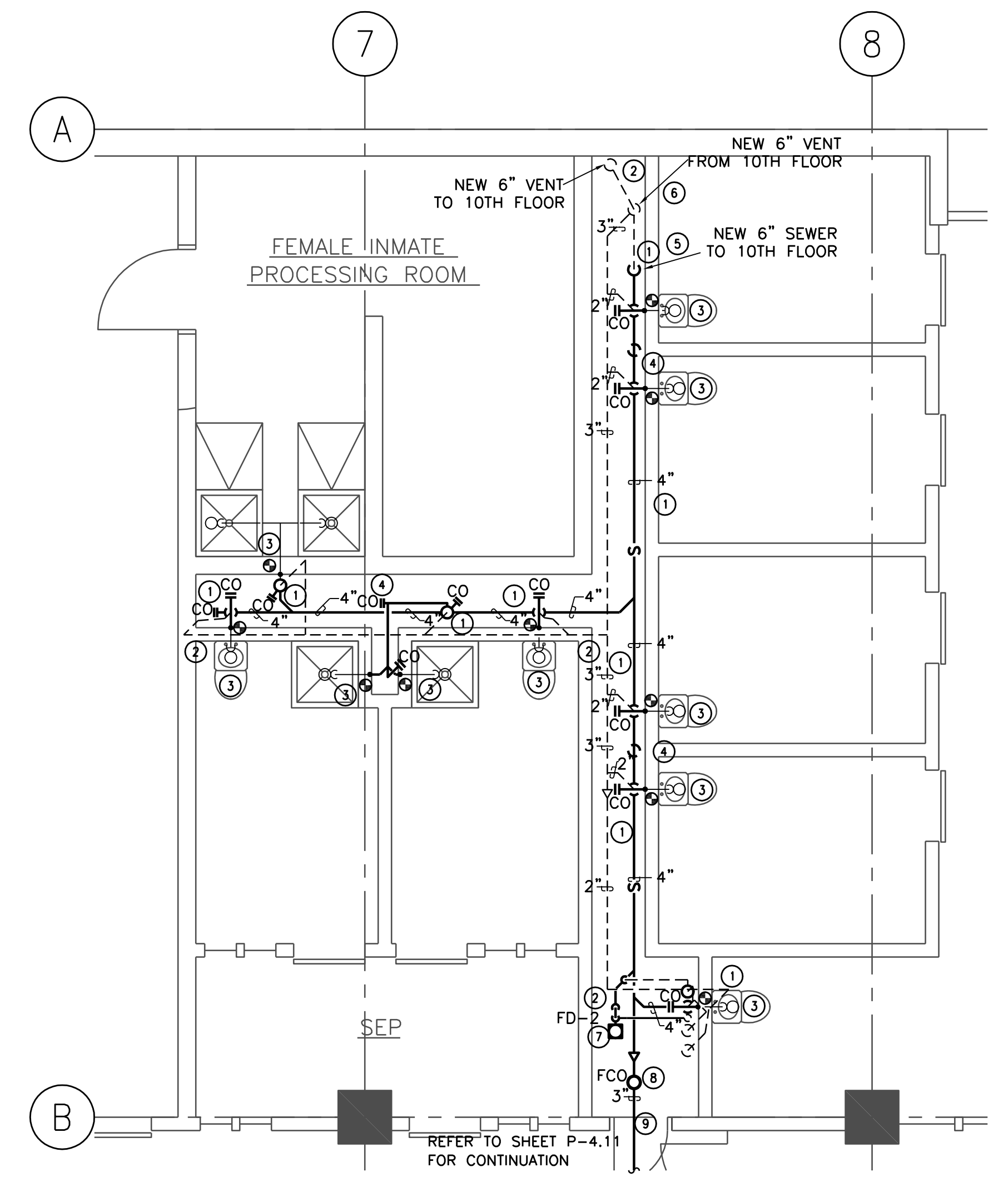
- 1 REPLACE EXISTING SEWER WITH NEW SEWER PIPING AT SIZE AS INDICATED INSTALL AND SUPPORT PIPING PER SCHEMATICS 8/P1.01, 9/P-1.01 AND 12/P-1.01.
- 2 REPLACE EXISTING VENT WITH NEW VENT PIPING AT SIZE AS INDICATED INSTALL AND SUPPORT PIPING PER SCHEMATICS 8/P1.01, 9/P-1.01 AND 12/P-1.01.
- 3 EXISTING SEWER AND VENT PIPING FROM STAND ALONE WC, FLOOR DRAINS, AND SHOWER ASSEMBLIES FIXTURE IS TO REMAIN AND BE RECONNECTED TO THE NEW SEWER MAIN AT WALL/FLOOR PENETRATION AS INDICATED.
- 4 EXISTING FLOOR PENETRATION TO BE FILLED IN WITH CONCRETE TO SEAL THE OPENING.
- 5 NEW MAIN SEWER RISER PIPING IS TO REPLACE THE EXISTING RISER IN THE SAME PLACE IN CHASE TO BE INSTALLED IN SAME LOCATION OF EXISTING MAIN SEWER RISER PIPING, REFER TO SCHEMATIC 8/P-1.01 FOR FLOOR PENETRATION.
- 6 NEW MAIN VENT RISER PIPING IS TO REPLACE THE EXISTING RISER IN THE SAME PLACE IN CHASE TO BE INSTALLED IN SAME LOCATION OF EXISTING MAIN VENT RISER PIPING, REFER TO SCHEMATIC 8/P-1.01 FOR FLOOR PENETRATION.
- 7 NEW FLOOR DRAIN (FD-2) TO BE INSTALLED IN PLUMBING CHASE, REFER TO 11/P-1.01 FOR FURTHER INFORMATION.
- 8 NEW FLOOR CLEANOUT (FCO) TO BE INSTALLED PER SCHEMATIC 1/P-1.01.
- 9 PIPING PENETRATION WALL PER SCHEMATIC 7/P1.01.

Project:	UPGRADE AND REPLACE THE SANITARY SEWER SYSTEM AT THE EL PASO COUNTY DETENTION FACILITY
Location:	601 E OVERLAND STREET EL PASO, TEXAS
Job Number:	EMC-2108022
Date:	11/23/2021
Scale:	A5 SHOWN
Sheet:	P-5.35
90 of:	X

THIS DOCUMENT, WHETHER IN HARD COPY OR MACHINE READABLE FORMAT, IS COPYRIGHTED AND AN INSTRUMENT OF SERVICES IN RESPECT TO THE PROJECT FOR WHICH IT WAS PREPARED. THIS DOCUMENT IS NOT INTENDED OR AUTHORIZED FOR REUSE BY ANY PARTY ON EXTENSIONS OF SUCH PROJECT OR ANY OTHER PROJECT. ANY REUSE, INCLUDING COPYING AND/OR MODIFYING THE DOCUMENT, WITHOUT WRITTEN PERMISSION FROM EMC ENGINEERS FOR THE SPECIFIC PURPOSE INTENDED IS A VIOLATION OF FEDERAL COPYRIGHT LAW. UNAUTHORIZED USE OF THIS MATERIAL MAY RESULT IN CIVIL AND/OR CRIMINAL PENALTIES.
 COPY RIGHT 2013 EMC ENGINEERS.

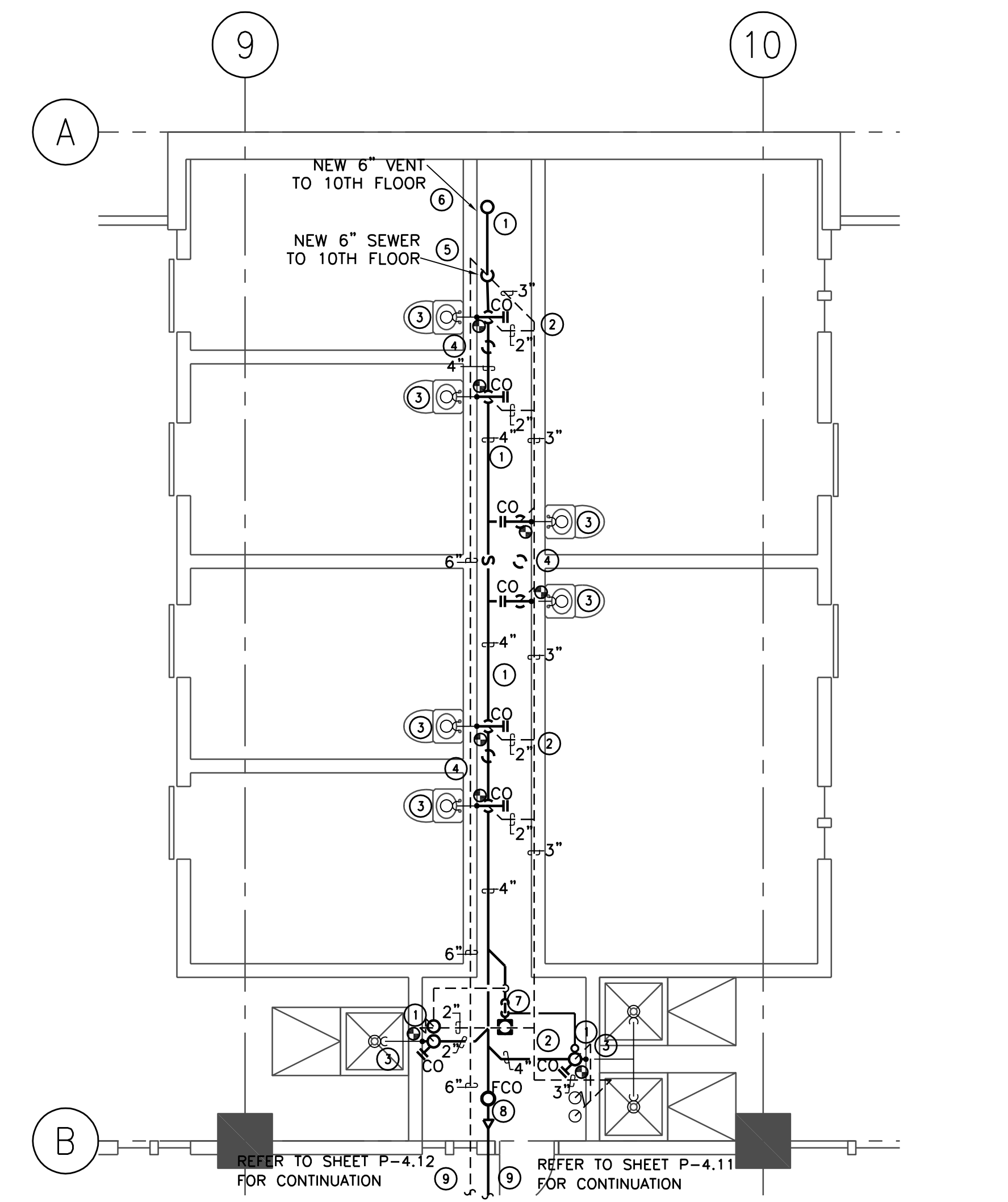


THE SEAL APPEARING ON THIS DOCUMENT WAS AUTHORIZED BY MELVIN G. GLASS, P.E. #64935 OF EMC ENGINEERS (TEXAS FIRM REG. #24991) ON JANUARY 28, 2022. ALLEGATION OF A SEALED DOCUMENT WITHOUT PROPER NOTIFICATION TO THE RESPONSIBLE ENGINEER IS AN OFFENSE UNDER THE TEXAS ENGINEERING PRACTICE ACT.



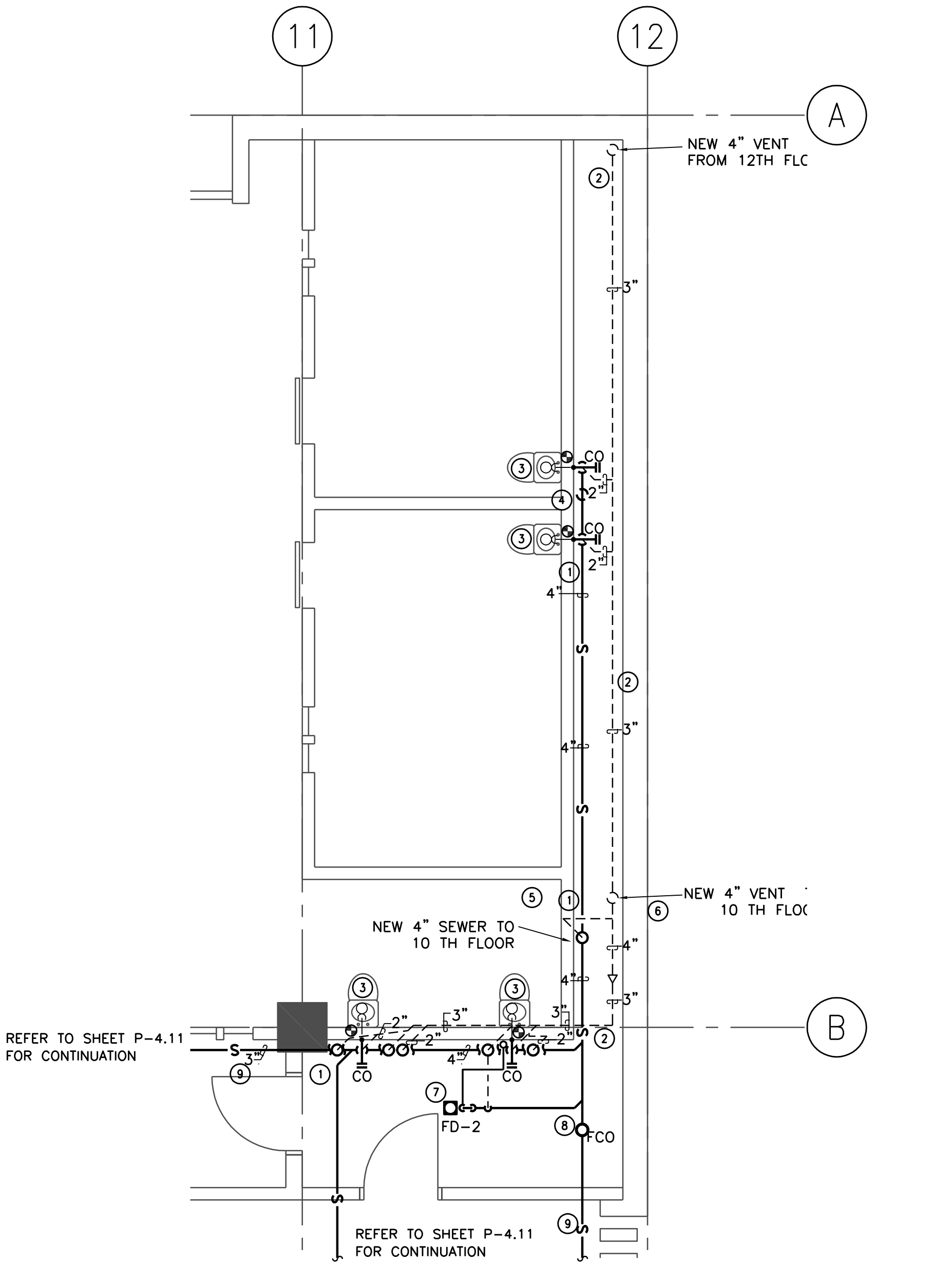
ELEVENTH FLOOR ENLARGED REMODEL PLUMBING SEWER WASTE AND VENT PIPING FLOOR PLAN

1 P-536 SCALE 1/4" = 1'-0" REFER TO DEMOLITION PLAN 4/P-317



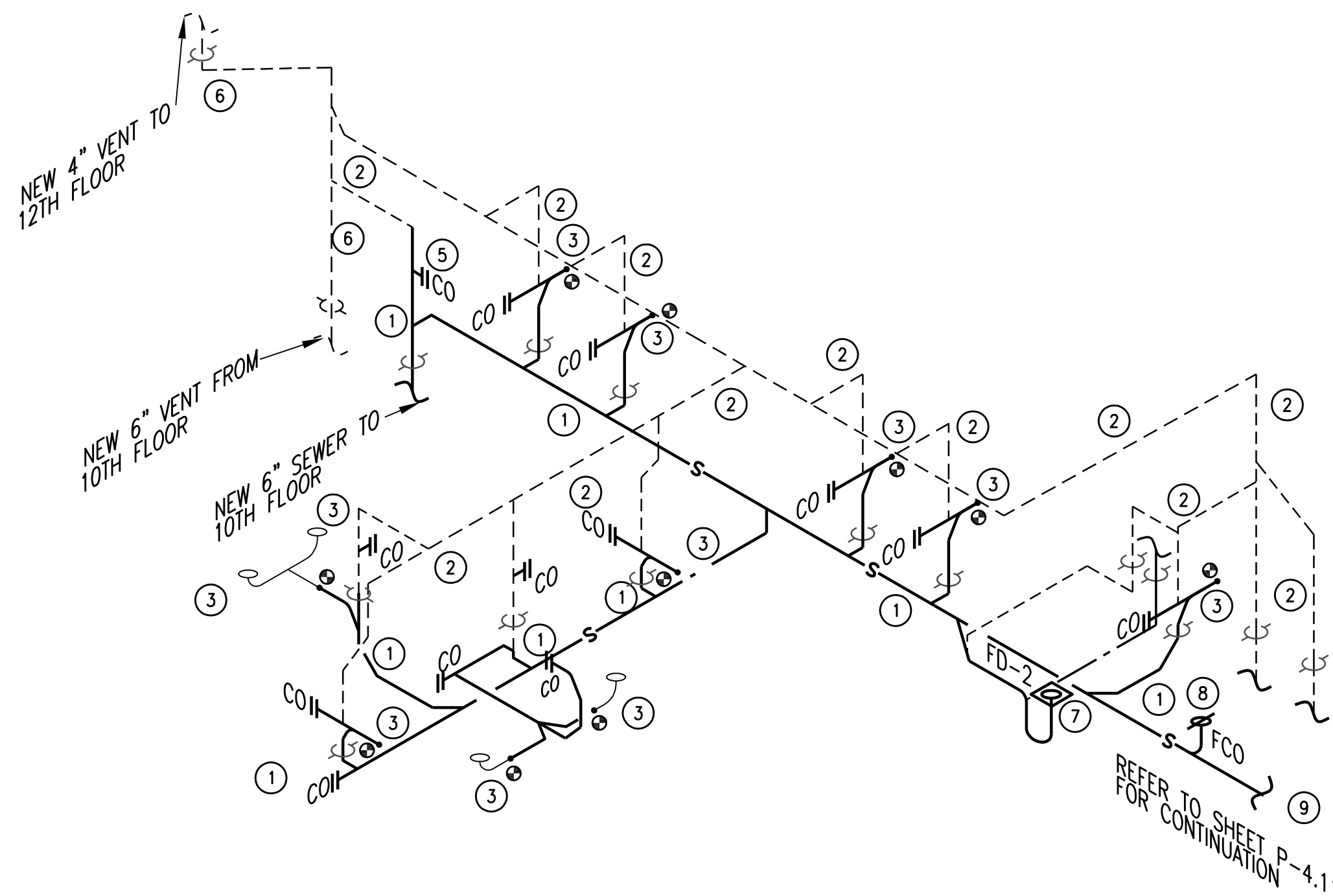
ELEVENTH FLOOR ENLARGED REMODEL PLUMBING SEWER WASTE AND VENT PIPING FLOOR PLAN

2 P-536 SCALE 1/4" = 1'-0" REFER TO DEMOLITION PLAN 5/P-317



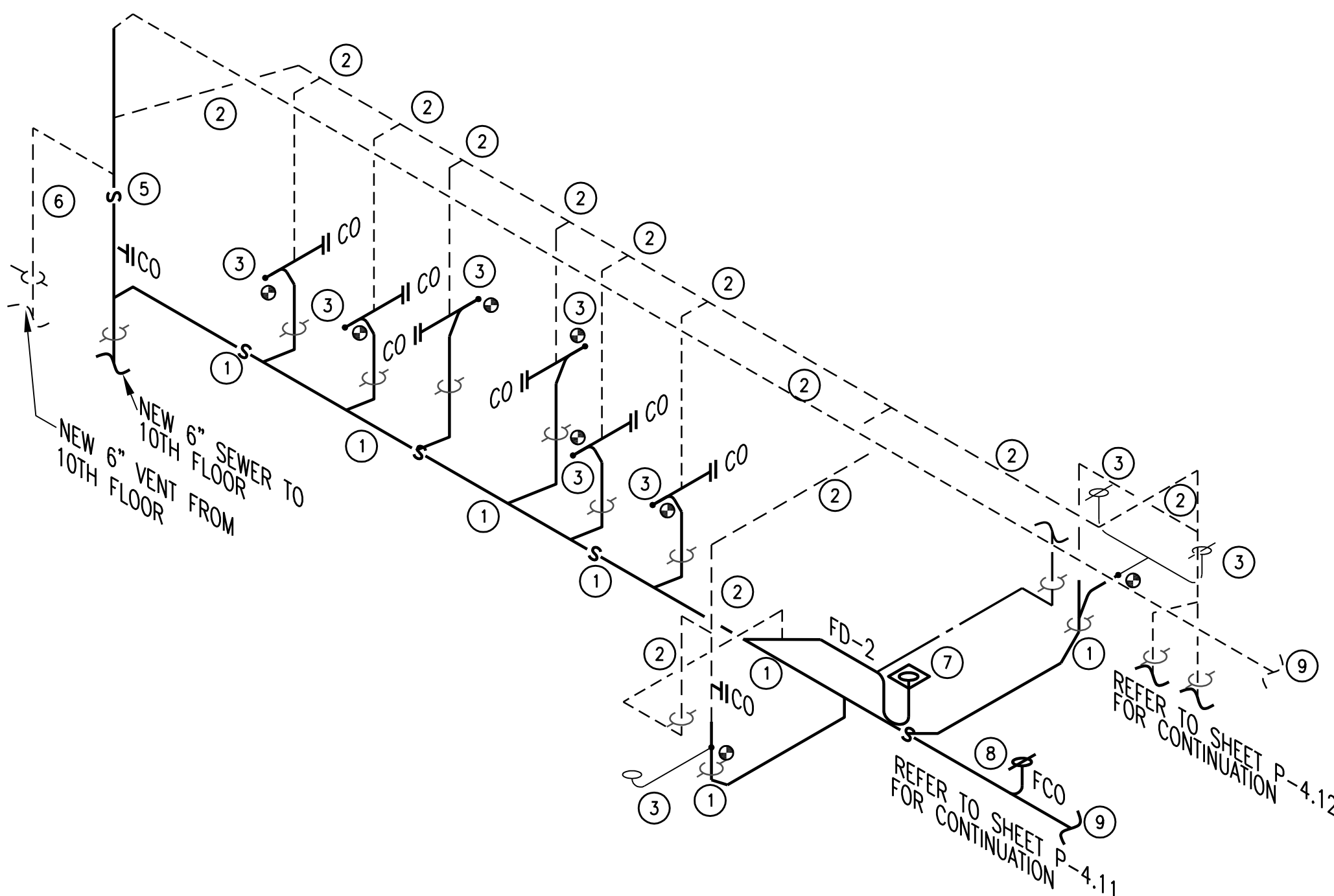
ELEVENTH FLOOR ENLARGED REMODEL PLUMBING SEWER WASTE AND VENT PIPING FLOOR PLAN

3 P-536 SCALE 1/4" = 1'-0" REFER TO DEMOLITION PLAN 6/P-317



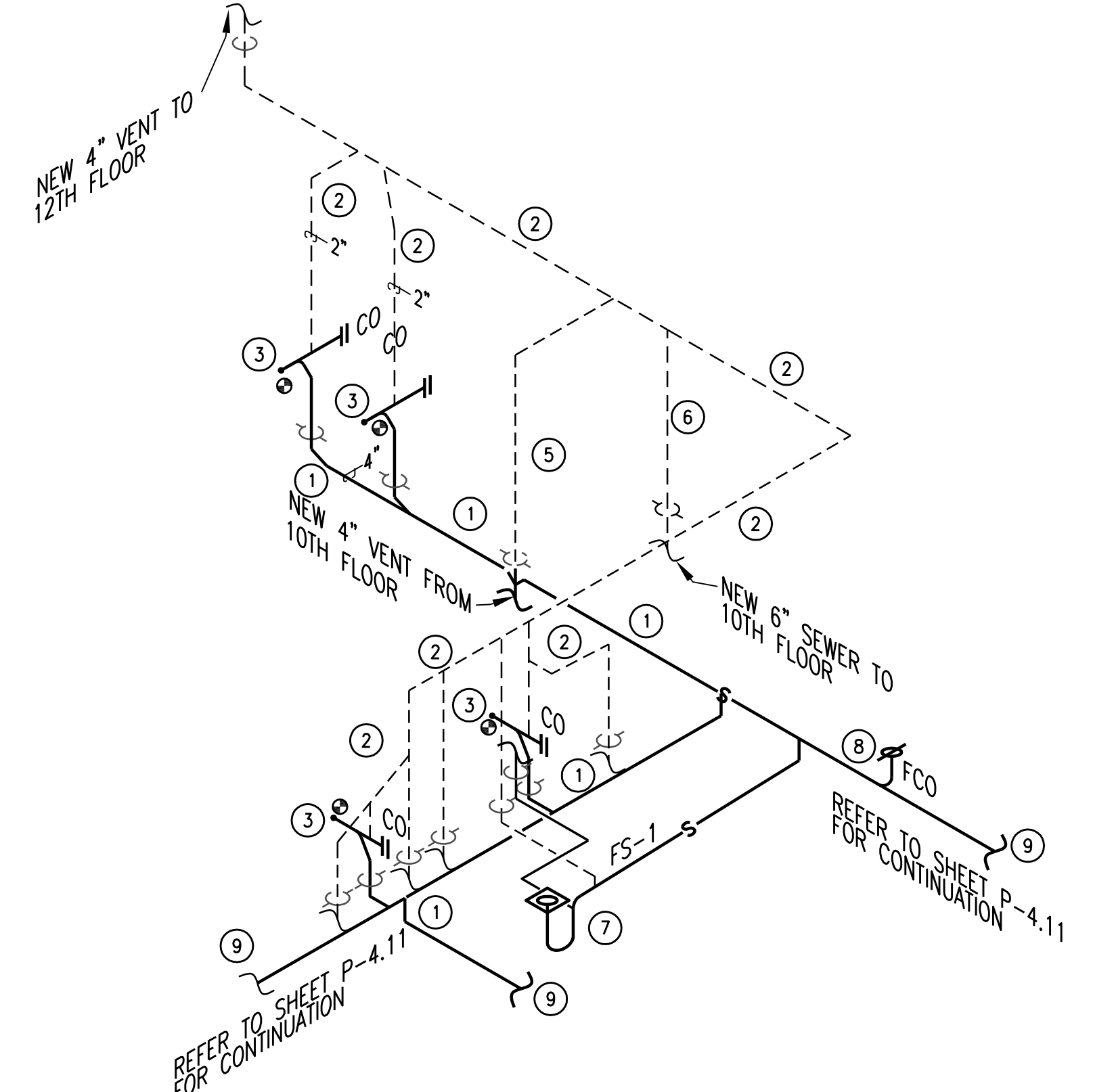
SEWER WASTE AND VENT PIPING ISOMETRIC

4 P-536 SCALE: NONE REFER TO 1/P-536 FOR FLOOR PLAN



SEWER WASTE AND VENT PIPING ISOMETRIC

5 P-536 SCALE: NONE REFER TO 2/P-536 FOR FLOOR PLAN



SEWER WASTE AND VENT PIPING ISOMETRIC

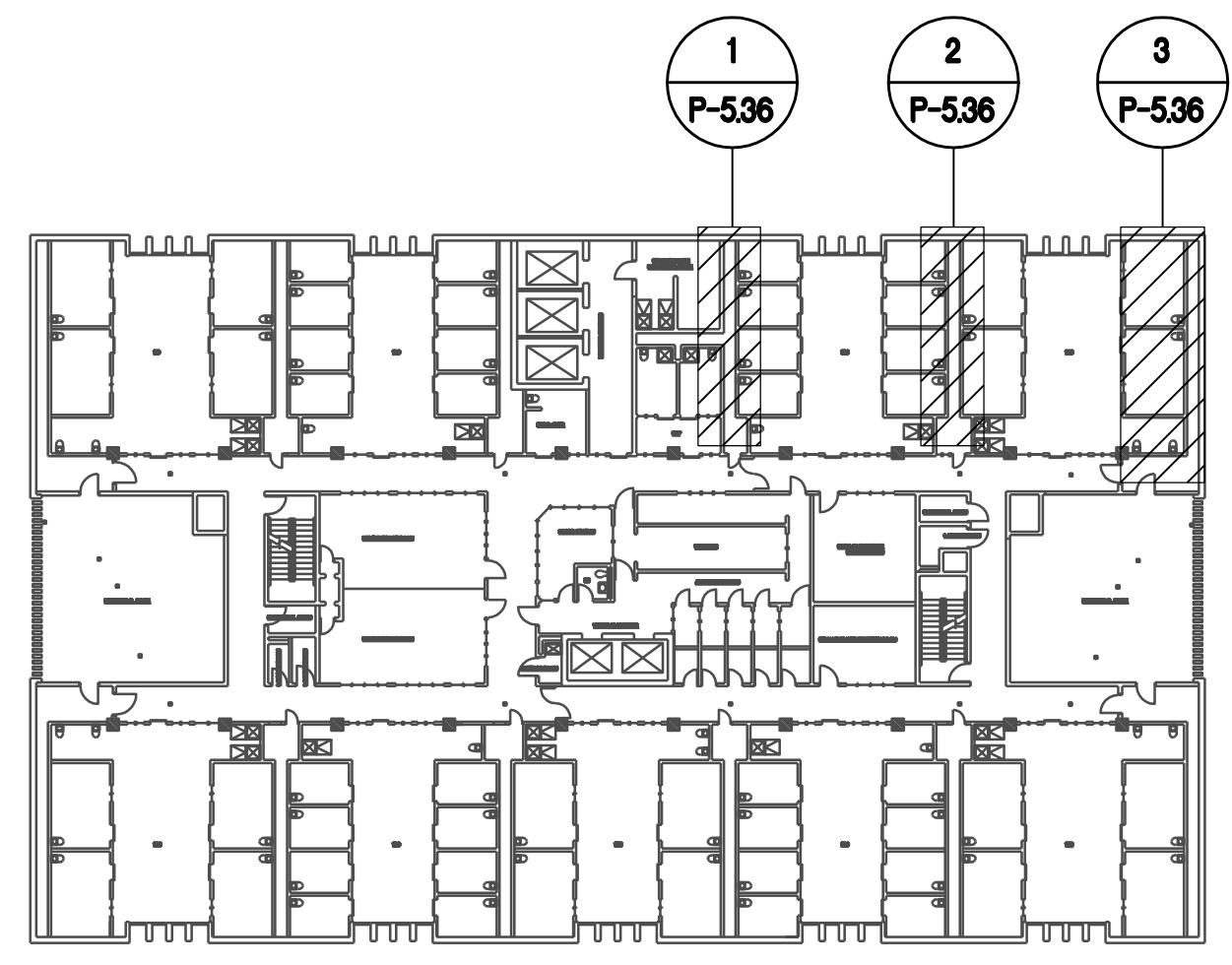
6 P-536 SCALE: NONE REFER TO 3/P-536 FOR FLOOR PLAN

REMODEL PLUMBING GENERAL NOTES:

- 1 THE INTENT IS TO REMODEL REPLACEMENT OF THE SEWER AND VENTING SYSTEMS FOR THE FACILITY. THIS FACILITY IS A 24/7 SECURED OPERATION FACILITY. SO THE CONTRACTOR SHALL COORDINATE ALL DEMOLITION AND REMODEL WORK WITH THE DETENTION PERSONNEL.
- 2 SOME PLUMBING CHASES CONTAIN MECHANICAL DUCTWORK. THE CONTRACTOR SHALL COORDINATE THE INSTALLATION OF NEW SEWER AND VENT PIPING WITH THIS DUCTWORK.

REMODEL PLUMBING KEYED NOTES:

- 1 REPLACE EXISTING SEWER WITH NEW SEWER PIPING AT SIZE AS INDICATED INSTALL AND SUPPORT PIPING PER SCHEMATICS 8/P1.01, 9/P-1.01 AND 12/P-1.01.
- 2 REPLACE EXISTING VENT WITH NEW VENT PIPING AT SIZE AS INDICATED INSTALL AND SUPPORT PIPING PER SCHEMATICS 8/P1.01, 9/P-1.01 AND 12/P-1.01.
- 3 EXISTING SEWER AND VENT PIPING FROM STAND ALONE WC, FLOOR DRAINS, AND SHOWER ASSEMBLES FIXTURE IS TO REMAIN AND BE RECONNECTED TO THE NEW SEWER MAIN AT WALL/FLOOR PENETRATION AS INDICATED.
- 4 EXISTING FLOOR PENETRATION TO BE FILLED IN WITH CONCRETE TO SEAL THE OPENING.
- 5 NEW MAIN SEWER RISER PIPING IS TO REPLACE THE EXISTING RISER IN THE SAME PLACE IN CHASE TO BE INSTALLED IN SAME LOCATION OF EXISTING MAIN SEWER RISER PIPING, REFER TO SCHEMATIC 8/P-1.01 FOR FLOOR PENETRATION.
- 6 NEW MAIN VENT RISER PIPING IS TO REPLACE THE EXISTING RISER IN THE SAME PLACE IN CHASE TO BE INSTALLED IN SAME LOCATION OF EXISTING MAIN VENT RISER PIPING, REFER TO SCHEMATIC 8/P-1.01 FOR FLOOR PENETRATION.
- 7 NEW FLOOR DRAIN (FD-2) TO BE INSTALLED IN PLUMBING CHASE, REFER TO 11/P-1.01 FOR FURTHER INFORMATION.
- 8 NEW FLOOR CLEANOUT (FCO) TO BE INSTALLED PER SCHEMATIC 1/P-1.01.
- 9 PIPING PENETRATION WALL PER SCHEMATIC 7/P1.01.



ELEVENTH FLOOR KEY PLAN

SCALE: NONE

THIS DOCUMENT, WHETHER IN HARD COPY OR MACHINE READABLE FORMAT, IS COPYRIGHTED AND AN INSTRUMENT OF SERVICES IN RESPECT TO THE PROJECT FOR WHICH IT WAS PREPARED. THIS DOCUMENT IS NOT INTENDED OR AUTHORIZED FOR REUSE BY ANY PARTY ON EXTENSIONS OF SUCH PROJECT OR ANY OTHER PROJECT. ANY REUSE, INCLUDING COPYING AND/OR MODIFYING THE DOCUMENT, WITHOUT WRITTEN PERMISSION FROM EMC ENGINEERS FOR THE SPECIFIC PURPOSE INTENDED IS A VIOLATION OF FEDERAL COPYRIGHT LAW. UNAUTHORIZED USE OF THIS MATERIAL MAY RESULT IN CIVIL AND/OR CRIMINAL PENALTIES.

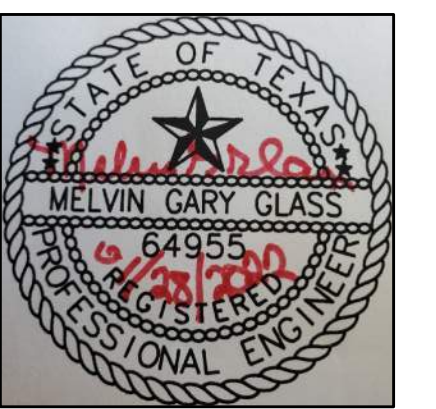
COPY RIGHT 2015 EMC ENGINEERS.

Project:	UPGRADE AND REPLACE THE SANITARY SEWER SYSTEM AT THE EL PASO COUNTY DETENTION FACILITY
Location:	601 E OVERLAND STREET EL PASO, TEXAS
Job Number:	ETC-2108022
Date:	11/23/2021
Scale:	A5 SHOWN
Sheet:	P-5.36
91 of: X	

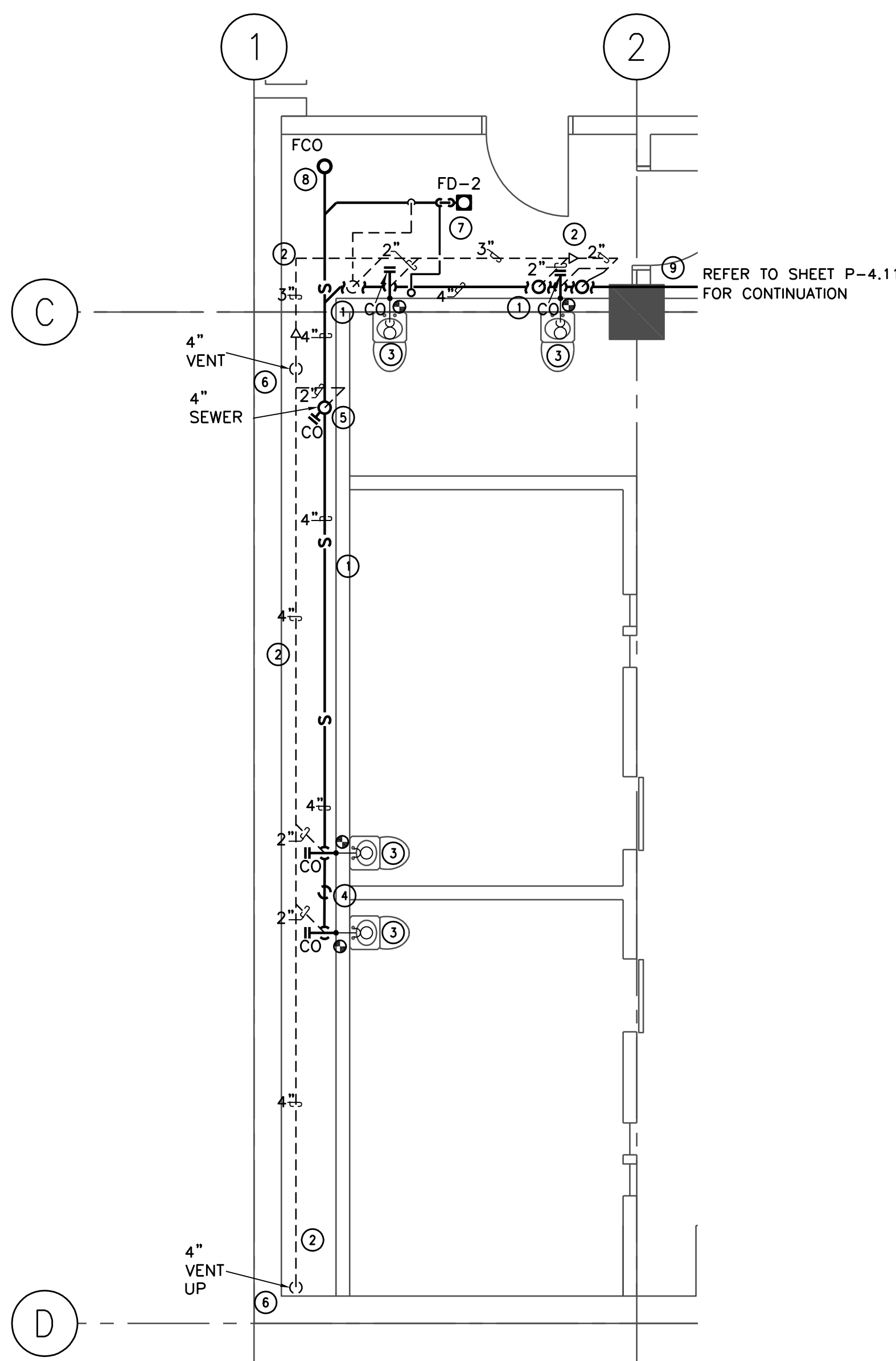
Rev.#/Date	Initial	Revision Description:
Designed By:	ETC	ETC
Drawn By:	ETC	ETC
Checked By:		

EMC ENGINEERS
2311 E. BUSINESS AVENUE SUITE 100
EL PASO, TEXAS 79901
TEL: 915-781-2000
FAX: 915-781-2005
TEXAS FIRM REG. #4502
EMC PROJECT #2108022



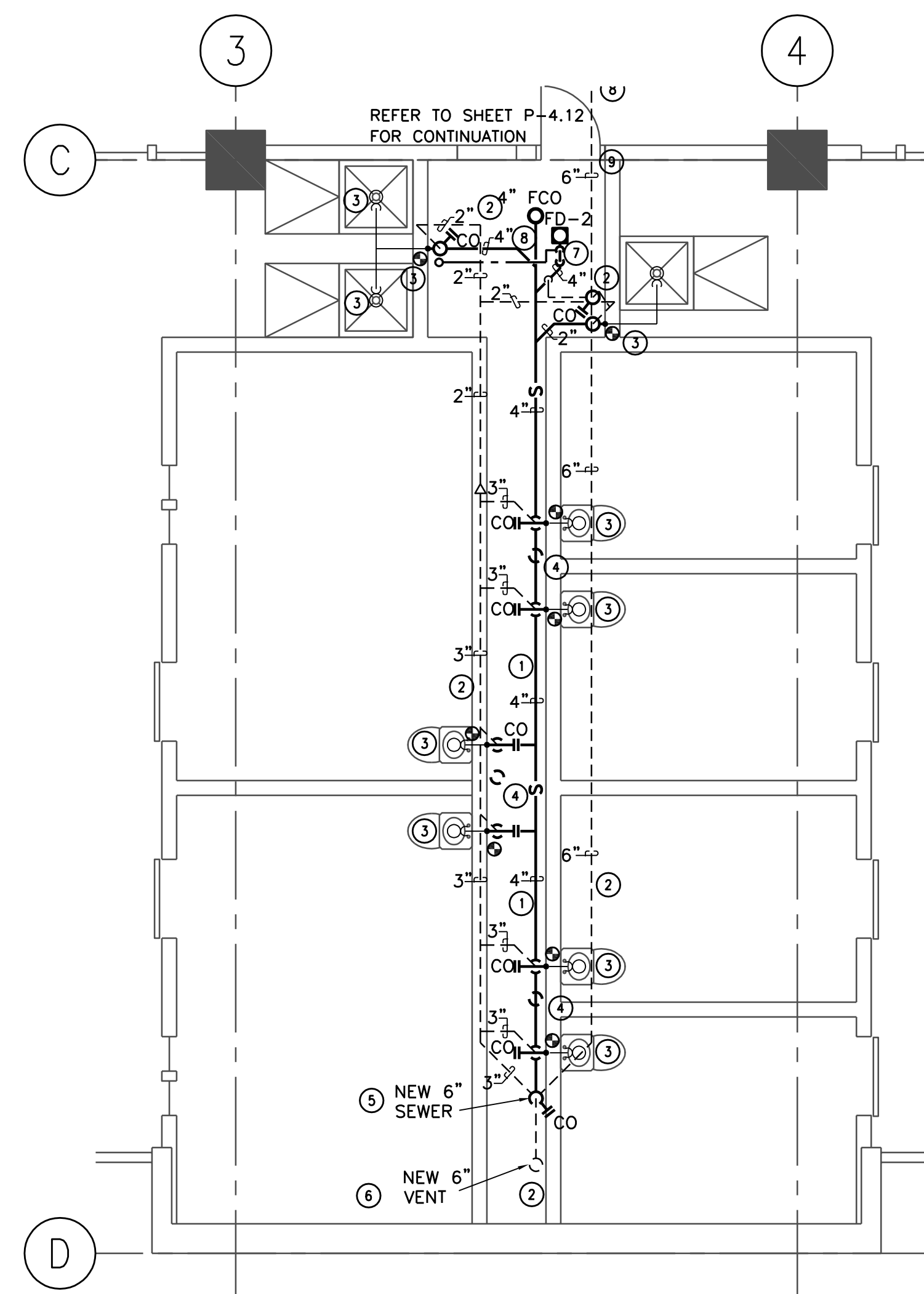


THE SEAL APPEARING ON THIS DOCUMENT WAS AUTHORIZED BY MELVIN G. GLASS, P.E. #64935 OF EMC ENGINEERS (TEXAS TIRM REG. #2491) ON JANUARY 28, 2022. ALTERATION OF A SEALED DOCUMENT WITHOUT PROPER NOTIFICATION TO THE RESPONSIBLE ENGINEER IS AN OFFENSE UNDER THE TEXAS ENGINEERING PRACTICE ACT.



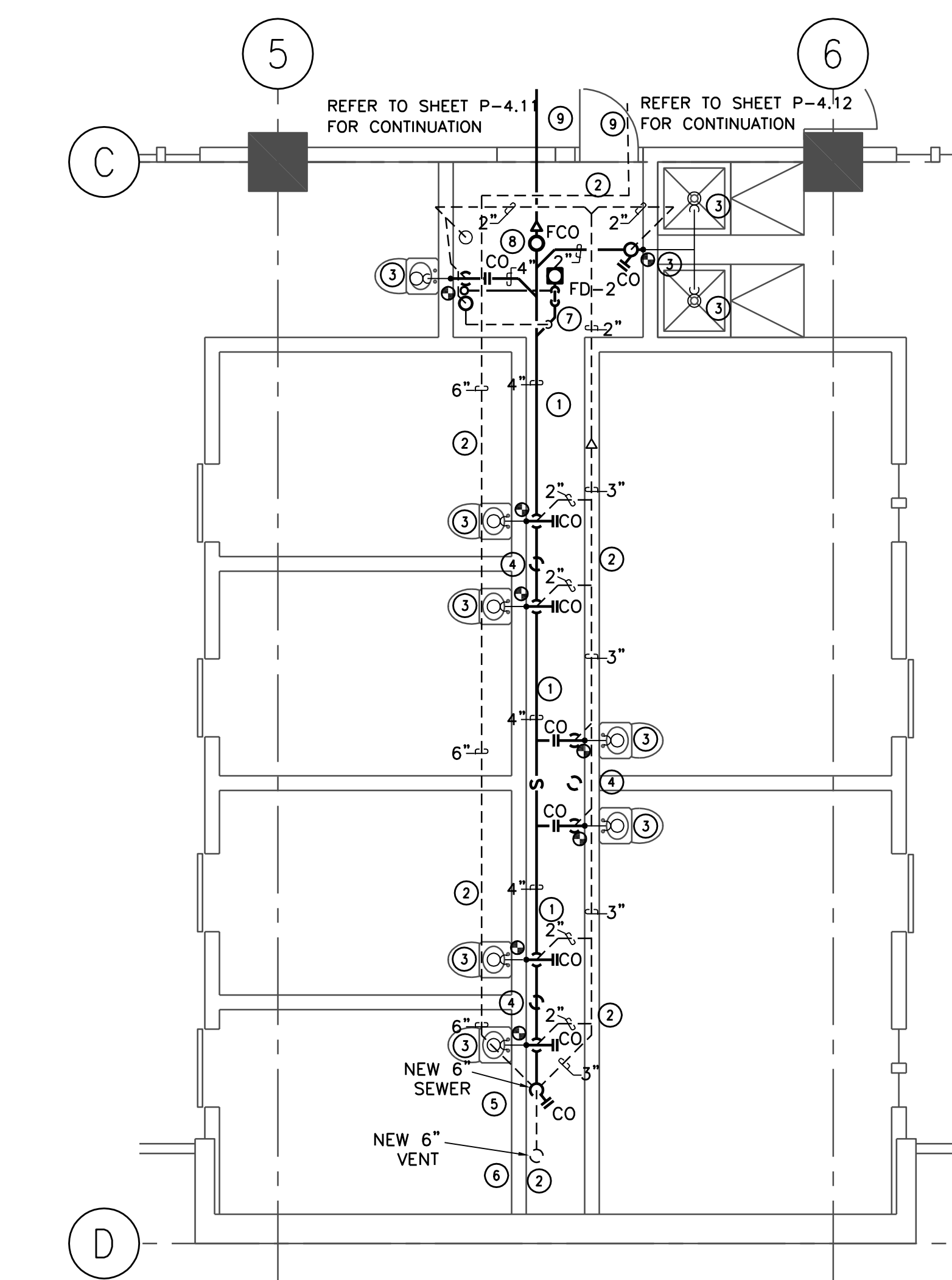
1 ELEVENTH FLOOR ENLARGED REMODEL PLUMBING SEWER WASTE AND VENT PIPING FLOOR PLAN

SCALE: 1/4" = 1'-0" REFER TO DEMOLITION PLAN 1P-318



2 ELEVENTH FLOOR ENLARGED REMODEL PLUMBING SEWER WASTE AND VENT PIPING FLOOR PLAN

SCALE: 1/4" = 1'-0" REFER TO DEMOLITION PLAN 2P-318



3 ELEVENTH FLOOR ENLARGED REMODEL PLUMBING SEWER WASTE AND VENT PIPING FLOOR PLAN

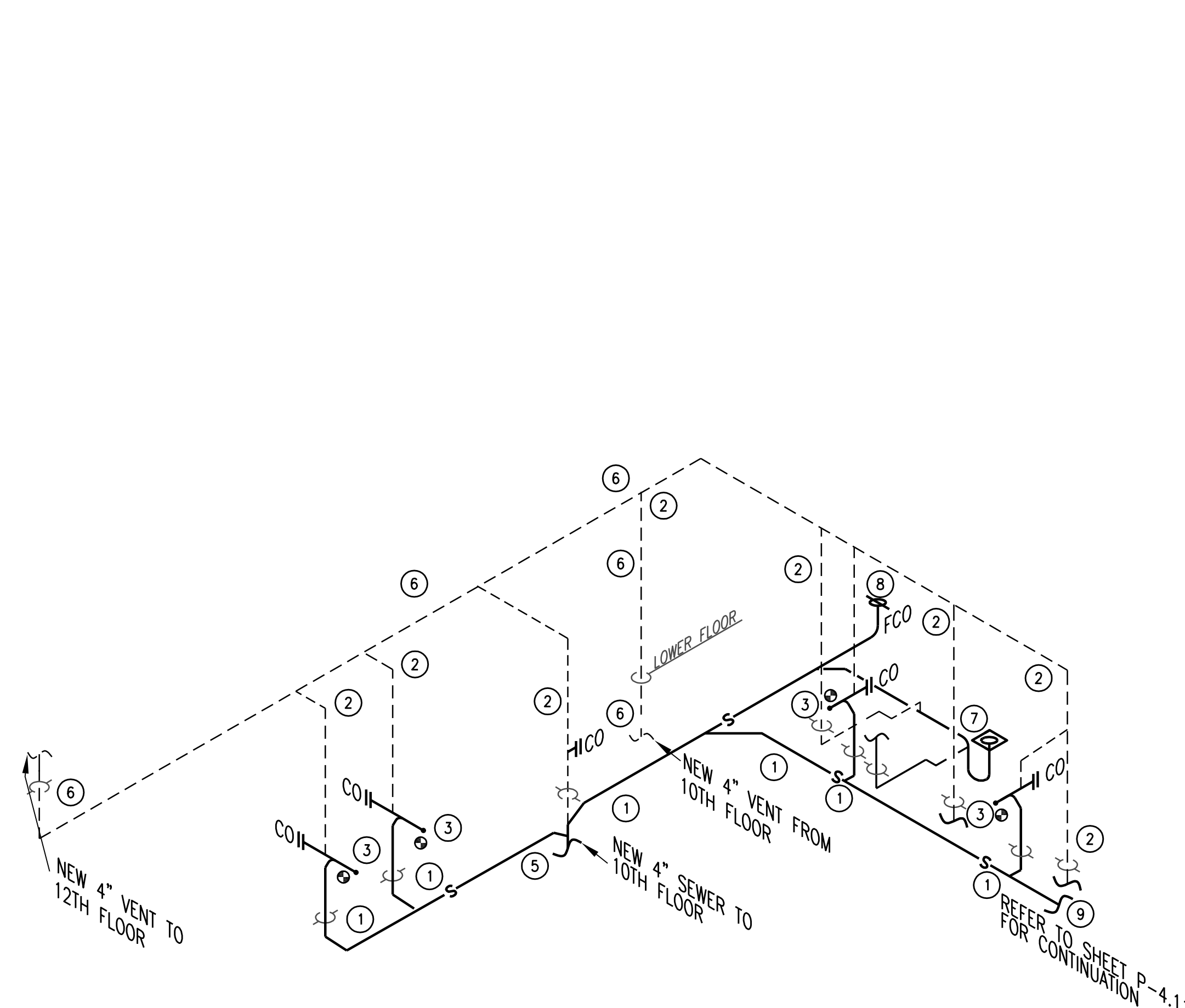
SCALE: 1/4" = 1'-0" REFER TO DEMOLITION PLAN 3P-318

REMODEL PLUMBING GENERAL NOTES:

- 1 THE INTENT IS TO REMODEL REPLACEMENT OF THE SEWER AND VENTING SYSTEMS FOR THE FACILITY. THIS FACILITY IS A 24/7 SECURED OPERATION FACILITY, SO THE CONTRACTOR SHALL COORDINATE ALL DEMOLITION AND REMODEL WORK WITH THE DETENTION PERSONNEL.
- 2 SOME PLUMBING CHASES CONTAIN MECHANICAL DUCTWORK, THE CONTRACTOR SHALL COORDINATE THE INSTALLATION OF NEW SEWER AND VENT PIPING WITH THIS DUCTWORK.

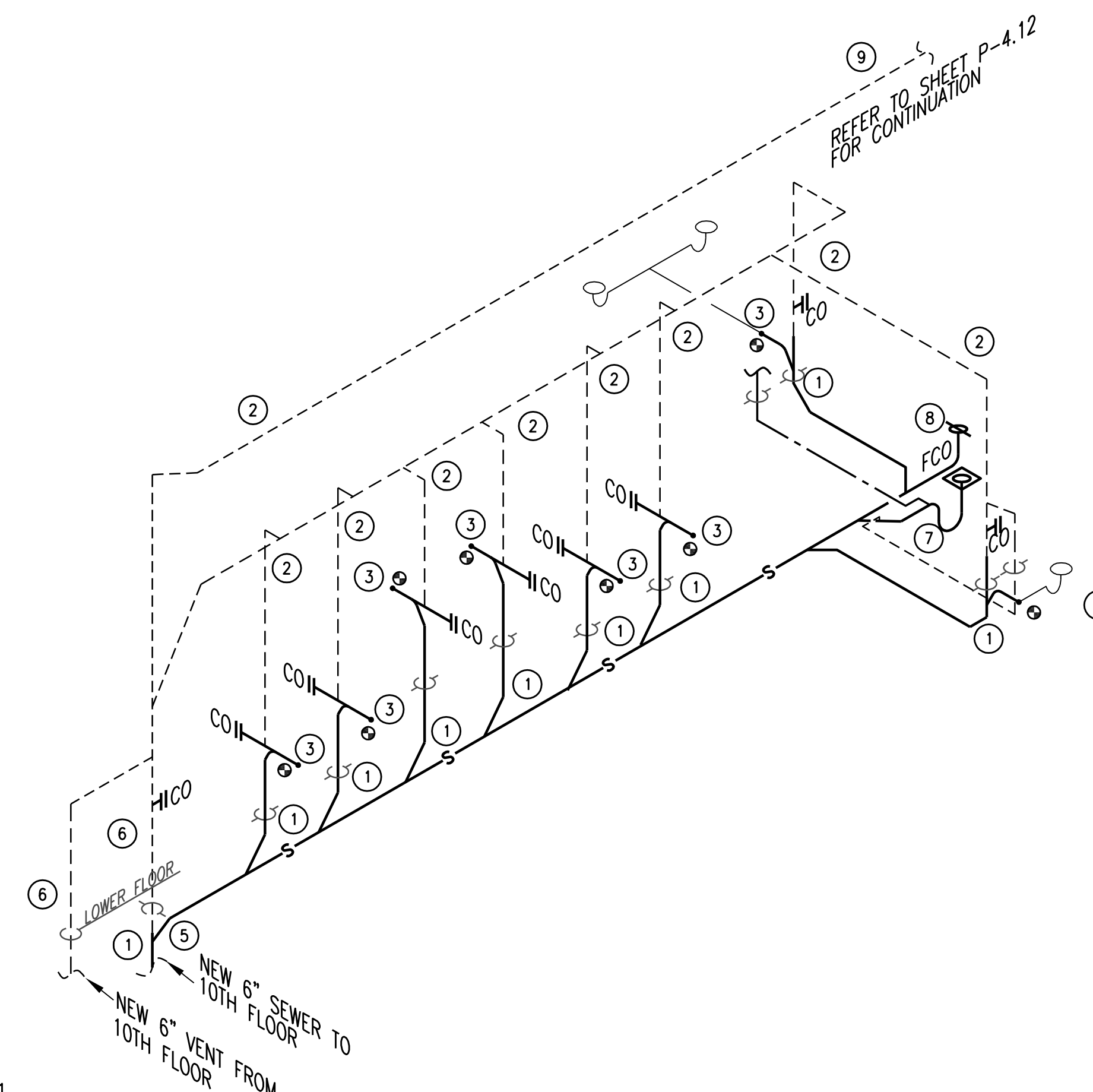
REMODEL PLUMBING KEYED NOTES:

- 1 REPLACE EXISTING SEWER WITH NEW SEWER PIPING AT SIZE AS INDICATED INSTALL AND SUPPORT PIPING PER SCHEMATICS 8/P.1.01, 9/P-1.01 AND 12/P-1.01.
- 2 REPLACE EXISTING VENT WITH NEW VENT PIPING AT SIZE AS INDICATED INSTALL AND SUPPORT PIPING PER SCHEMATICS 8/P.1.01, 9/P-1.01 AND 12/P-1.01.
- 3 EXISTING SEWER AND VENT PIPING FROM STAND ALONE WC, FLOOR DRAINS, AND SHOWER ASSEMBLES FIXTURE IS TO REMAIN AND BE RECONNECTED TO THE NEW SEWER MAIN AT WALL/FLOOR PENETRATION AS INDICATED.
- 4 EXISTING FLOOR PENETRATION TO BE FILLED IN WITH CONCRETE TO SEAL THE OPENING.
- 5 NEW MAIN SEWER RISER PIPING IS TO REPLACE THE EXISTING RISER IN THE SAME PLACE IN CHASE TO BE INSTALLED IN SAME LOCATION OF EXISTING MAIN SEWER RISER PIPING, REFER TO SCHEMATIC 8/P-1.01 FOR FLOOR PENETRATION.
- 6 NEW MAIN VENT RISER PIPING IS TO REPLACE THE EXISTING RISER IN THE SAME PLACE IN CHASE TO BE INSTALLED IN SAME LOCATION OF EXISTING MAIN VENT RISER PIPING, REFER TO SCHEMATIC 8/P-1.01 FOR FLOOR PENETRATION.
- 7 NEW FLOOR DRAIN (FD-2) TO BE INSTALLED IN PLUMBING CHASE, REFER TO 11/P-1.01 FOR FURTHER INFORMATION.
- 8 NEW FLOOR CLEANOUT (FCO) TO BE INSTALLED PER SCHEMATIC 1/P-1.01.
- 9 PIPING PENETRATION WALL PER SCHEMATIC 7/P.1.01.



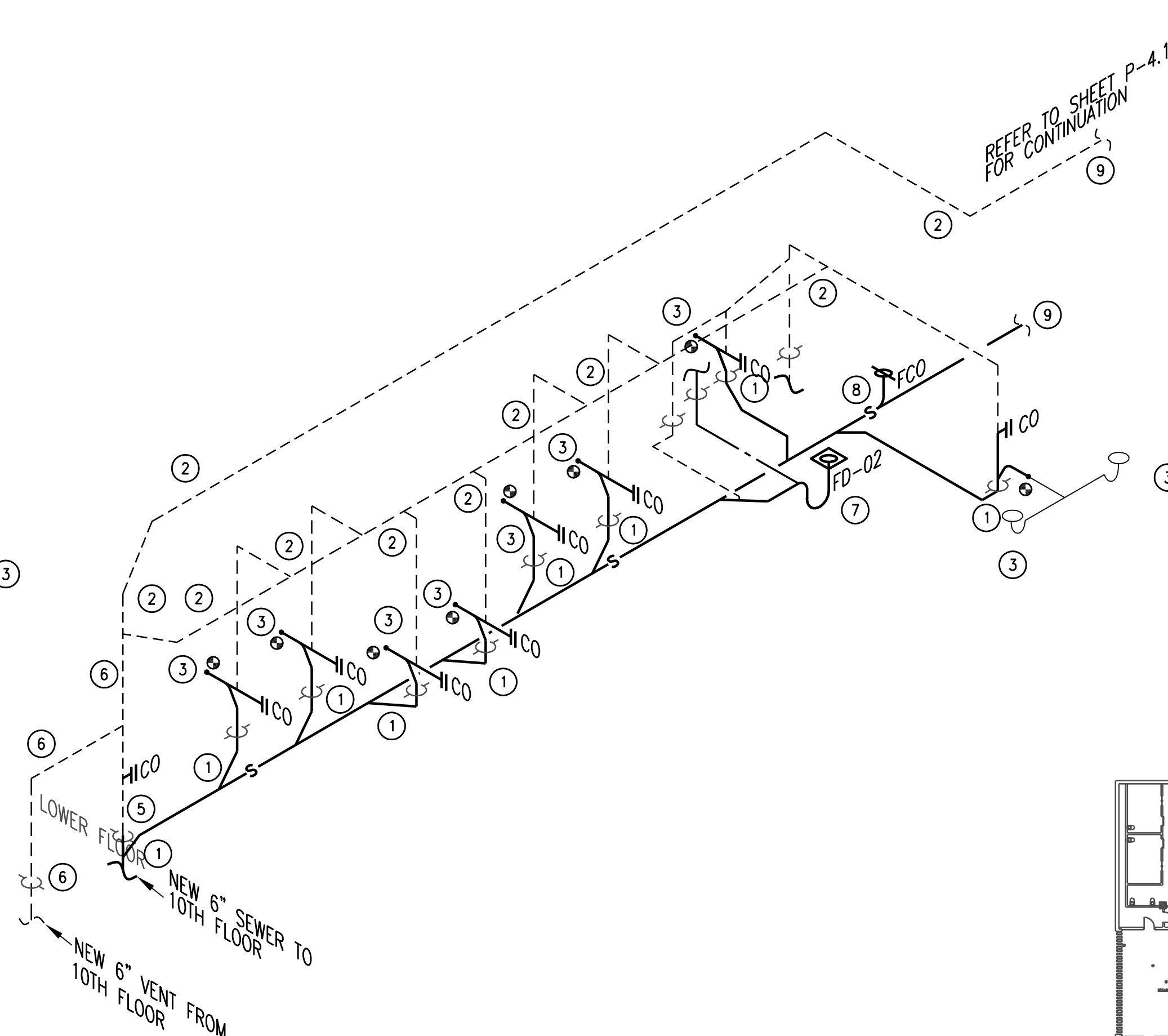
4 SEWER WASTE AND VENT PIPING ISOMETRIC

SCALE: NONE REFER TO 1P-537 FOR FLOOR PLAN



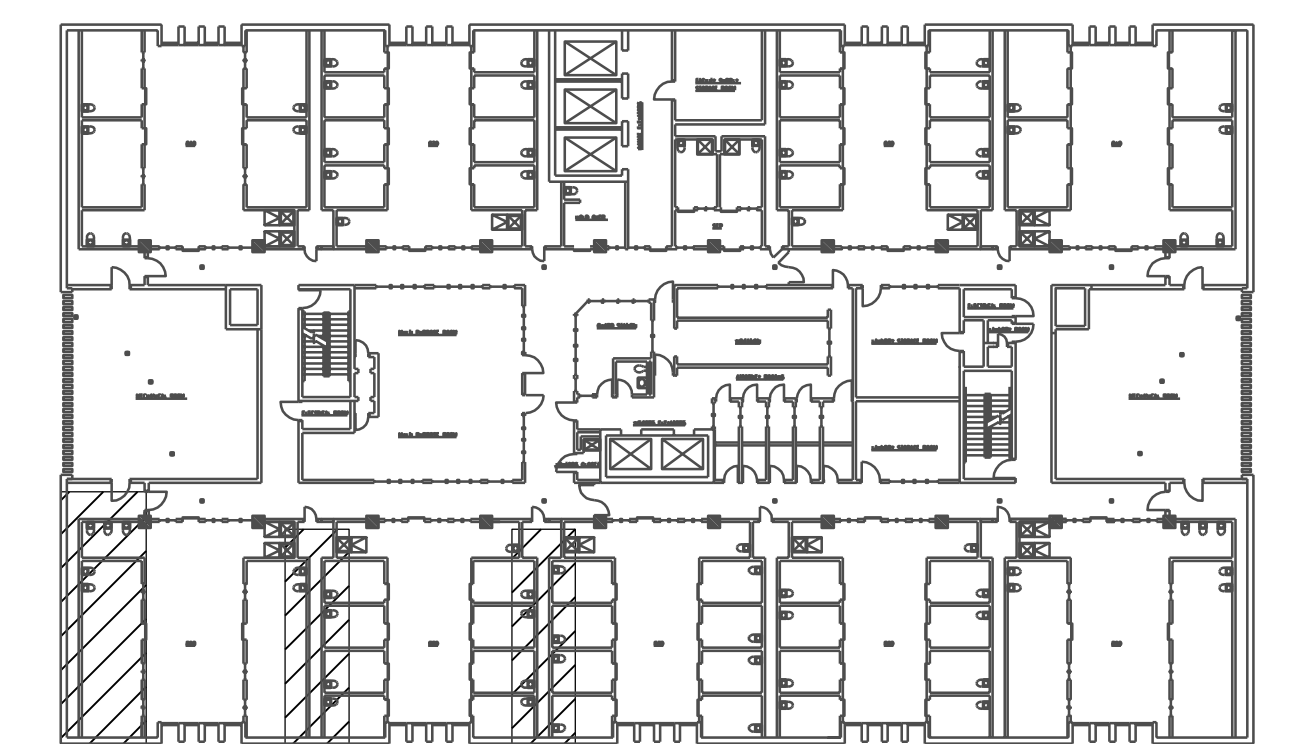
5 SEWER WASTE AND VENT PIPING ISOMETRIC

SCALE: NONE REFER TO 2P-537 FOR FLOOR PLAN



6 SEWER WASTE AND VENT PIPING ISOMETRIC

SCALE: NONE REFER TO 3P-537 FOR FLOOR PLAN



11 ELEVENTH FLOOR KEY PLAN

SCALE: NONE

THIS DOCUMENT, WHETHER IN HARD COPY OR MACHINE READABLE FORMAT, IS COPYRIGHTED AND AN INSTRUMENT OF SERVICES IN RESPECT TO THE PROJECT FOR WHICH IT WAS PREPARED. THIS DOCUMENT IS NOT INTENDED OR AUTHORIZED FOR REUSE BY ANY PARTY ON EXTENSIONS OF SUCH PROJECT OR ANY OTHER PROJECT. ANY REUSE, INCLUDING COPYING AND/OR MODIFYING THE DOCUMENT, WITHOUT WRITTEN PERMISSION FROM EMC ENGINEERS FOR THE SPECIFIC PURPOSE INTENDED IS A VIOLATION OF FEDERAL COPYRIGHT LAW. UNAUTHORIZED USE OF THIS MATERIAL MAY RESULT IN CIVIL AND/OR CRIMINAL PENALTIES.

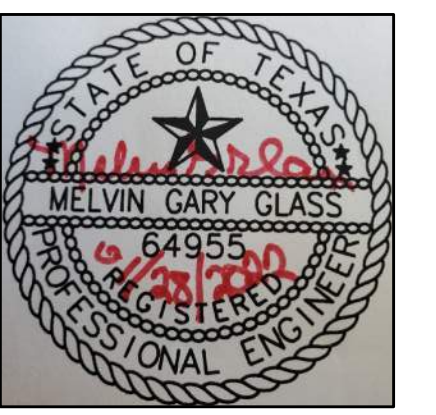
COPY RIGHT 2013 EMC ENGINEERS.

Project:	UPGRADE AND REPLACE THE SANITARY SEWER SYSTEM AT THE EL PASO COUNTY DETENTION FACILITY
Location:	601 E OVERLAND STREET EL PASO, TEXAS
Job Number:	ETC-2108022
Date:	11/23/2021
Scale:	A5 SHOWN
Sheet:	P-5.37
92 of:	X

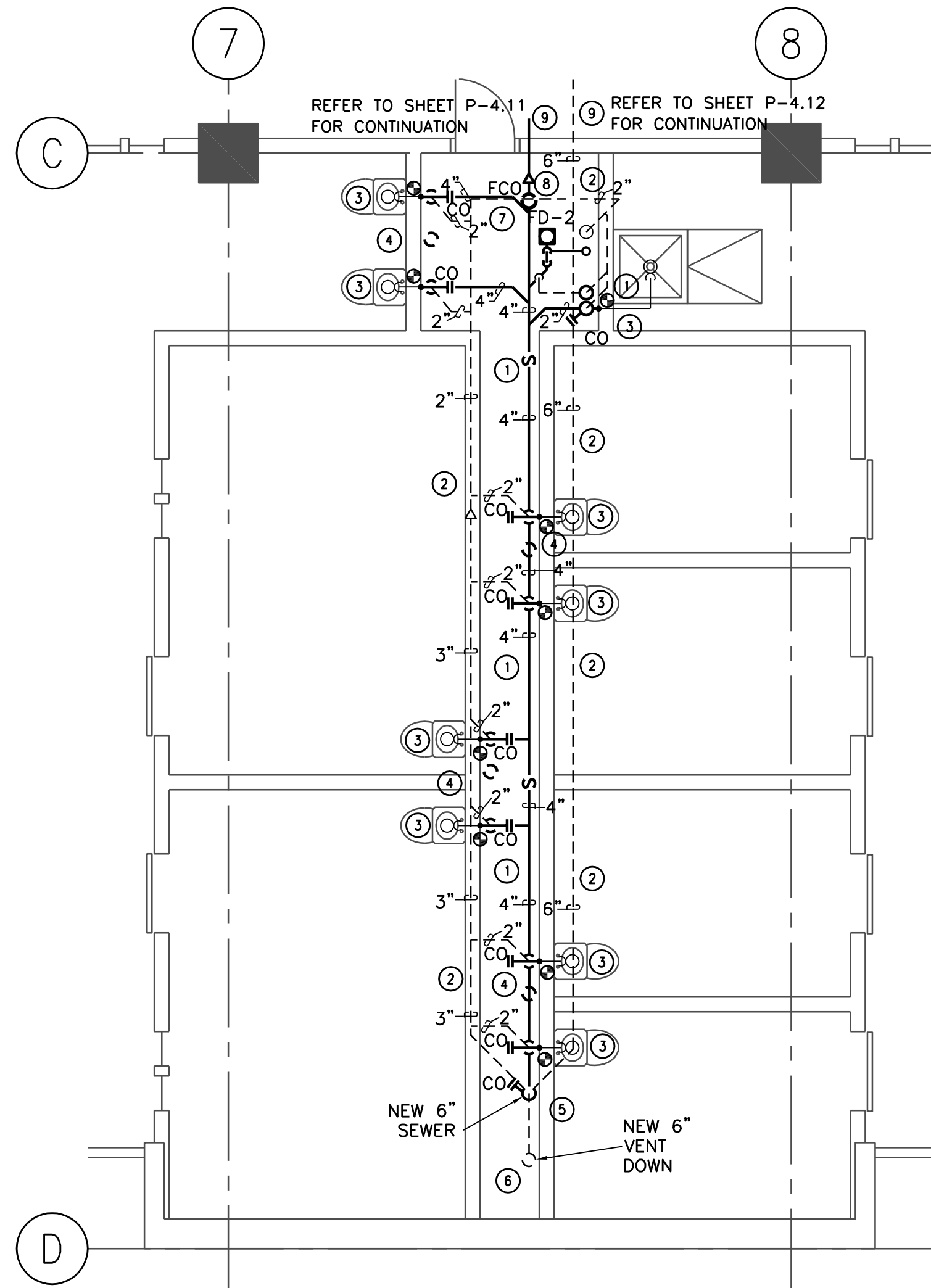
Rev.#	Date	Initial	Revision Description
1			ETC
2			ETC
3			ETC

EMC ENGINEERS
 2311 E. MIDLAND AVENUE SUITE 100
 EL PASO, TEXAS 79901
 TEL: 915-781-2030
 FAX: 915-781-2030
 TEXAS TIRM REG. #2491
 EMC PROJECT #1108022

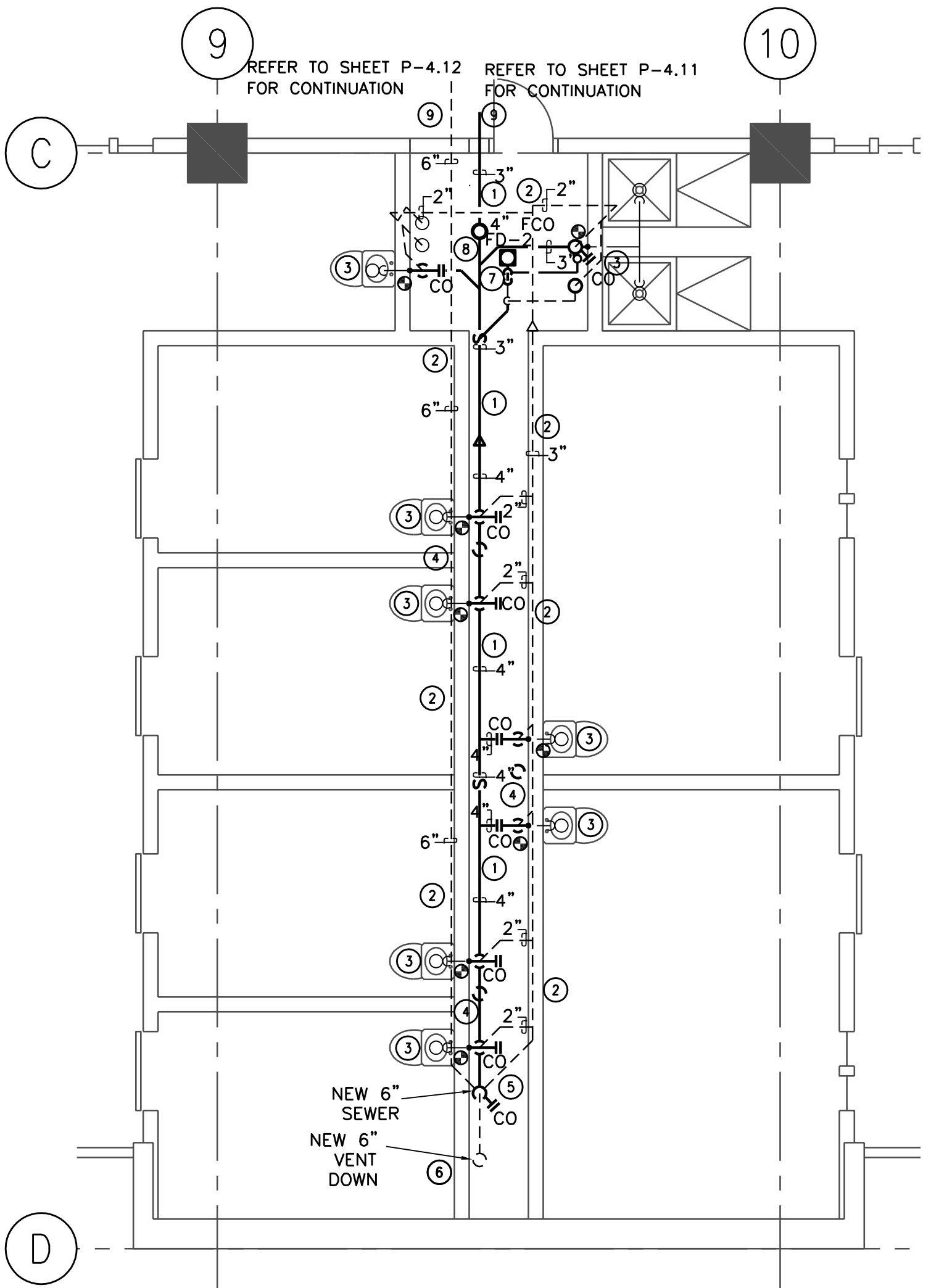




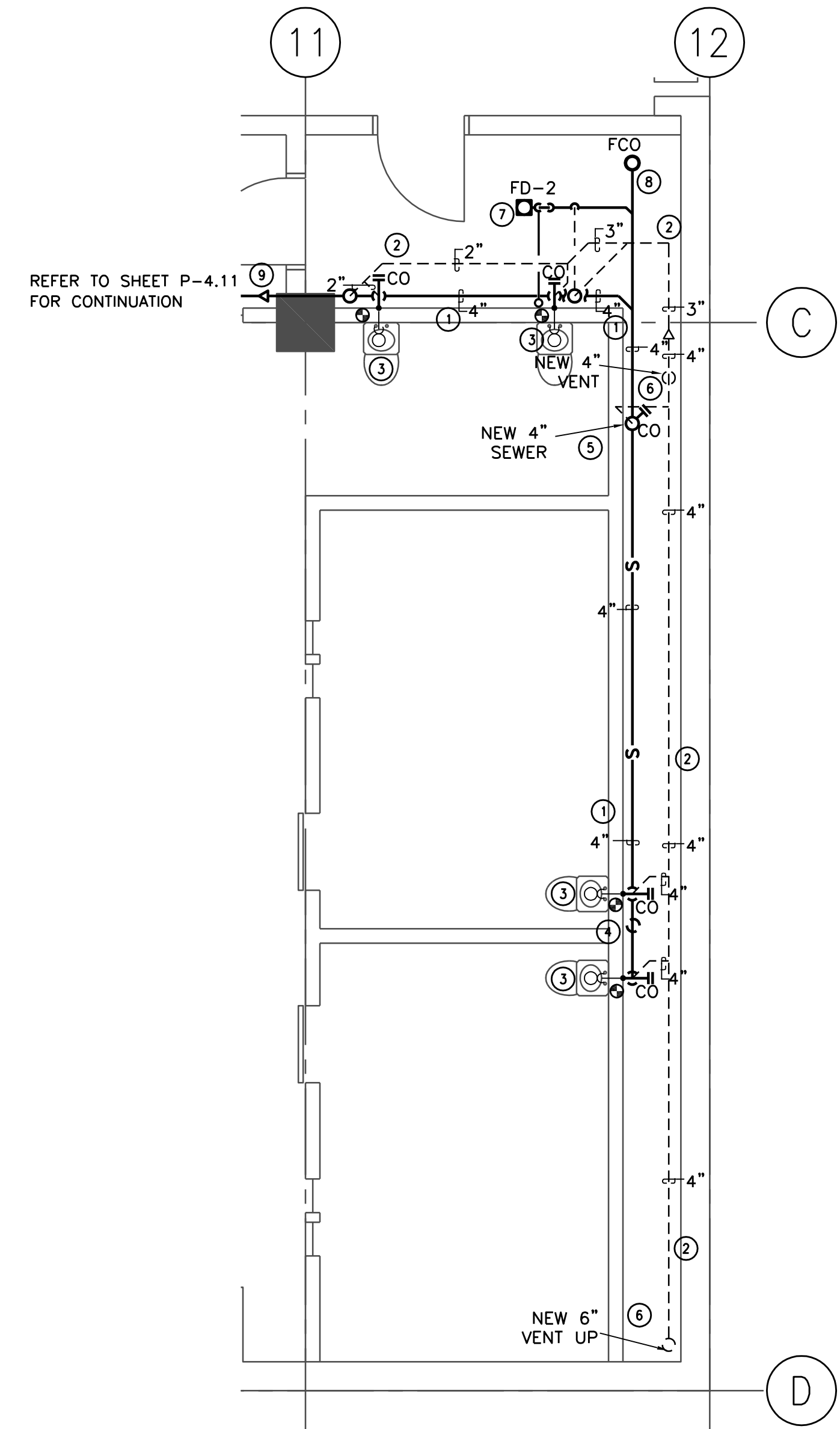
THE SEAL APPEARING ON THIS DOCUMENT WAS AUTHORIZED BY MELVIN G. GLASS, P.E. #64935 OF EMC ENGINEERS (TEXAS FIRM REG. #24991) ON JANUARY 28, 2022. ANY ALTERATION OF A SEALED DOCUMENT WITHOUT PROPER NOTIFICATION TO THE RESPONSIBLE ENGINEER IS AN OFFENSE UNDER THE TEXAS ENGINEERING PRACTICE ACT.



1 ELEVENTH FLOOR ENLARGED REMODEL PLUMBING SEWER WASTE AND VENT PIPING FLOOR PLAN
SCALE: 1/4" = 1'-0"
REFER TO DEMOLITION PLAN 4/P-318



2 ELEVENTH FLOOR ENLARGED REMODEL PLUMBING SEWER WASTE AND VENT PIPING FLOOR PLAN
SCALE: 1/4" = 1'-0"
REFER TO DEMOLITION PLAN 5/P-318



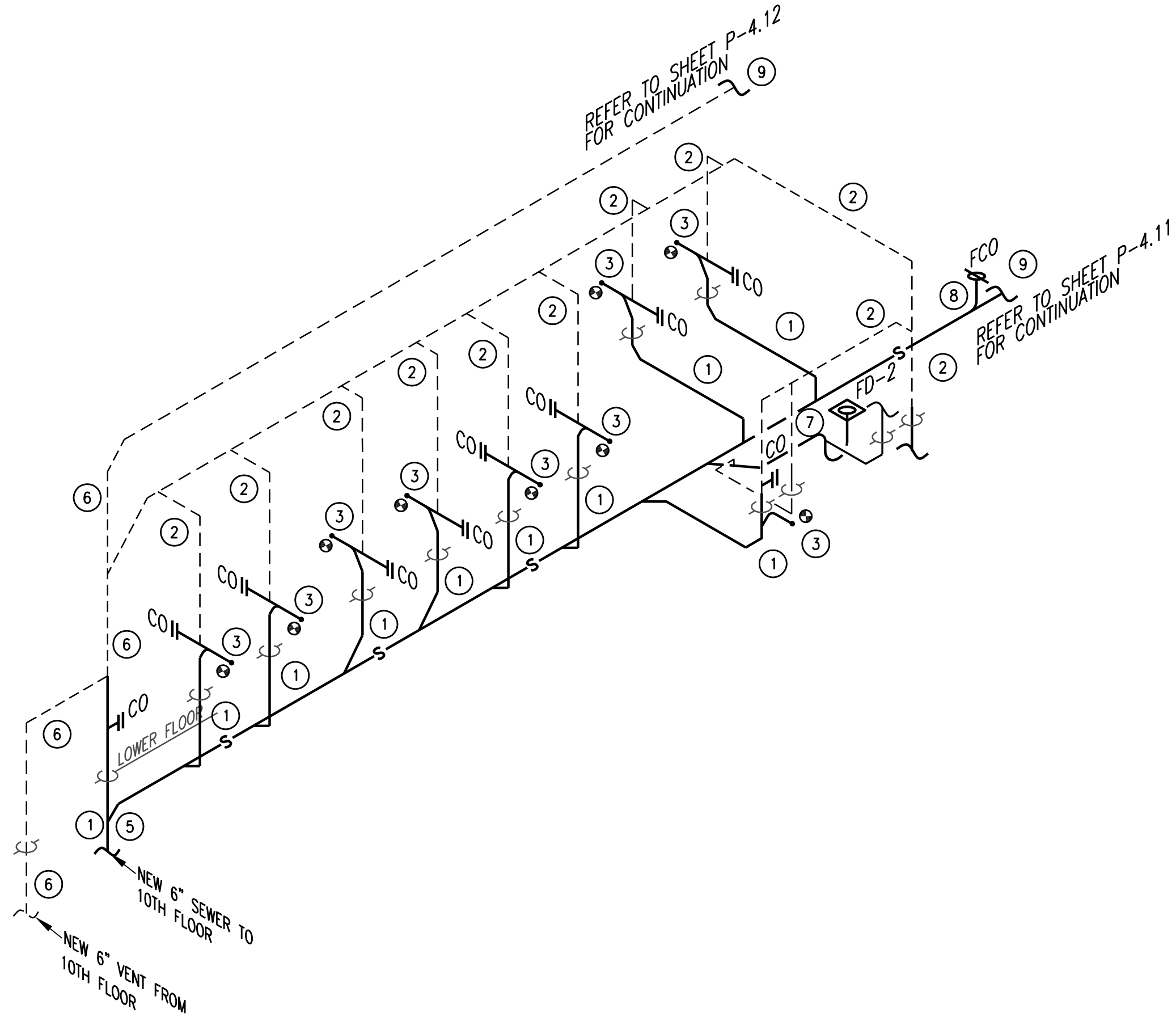
3 ELEVENTH FLOOR ENLARGED REMODEL PLUMBING SEWER WASTE AND VENT PIPING FLOOR PLAN
SCALE: 1/4" = 1'-0"
REFER TO DEMOLITION PLAN 6/P-318

REMODEL PLUMBING GENERAL NOTES:

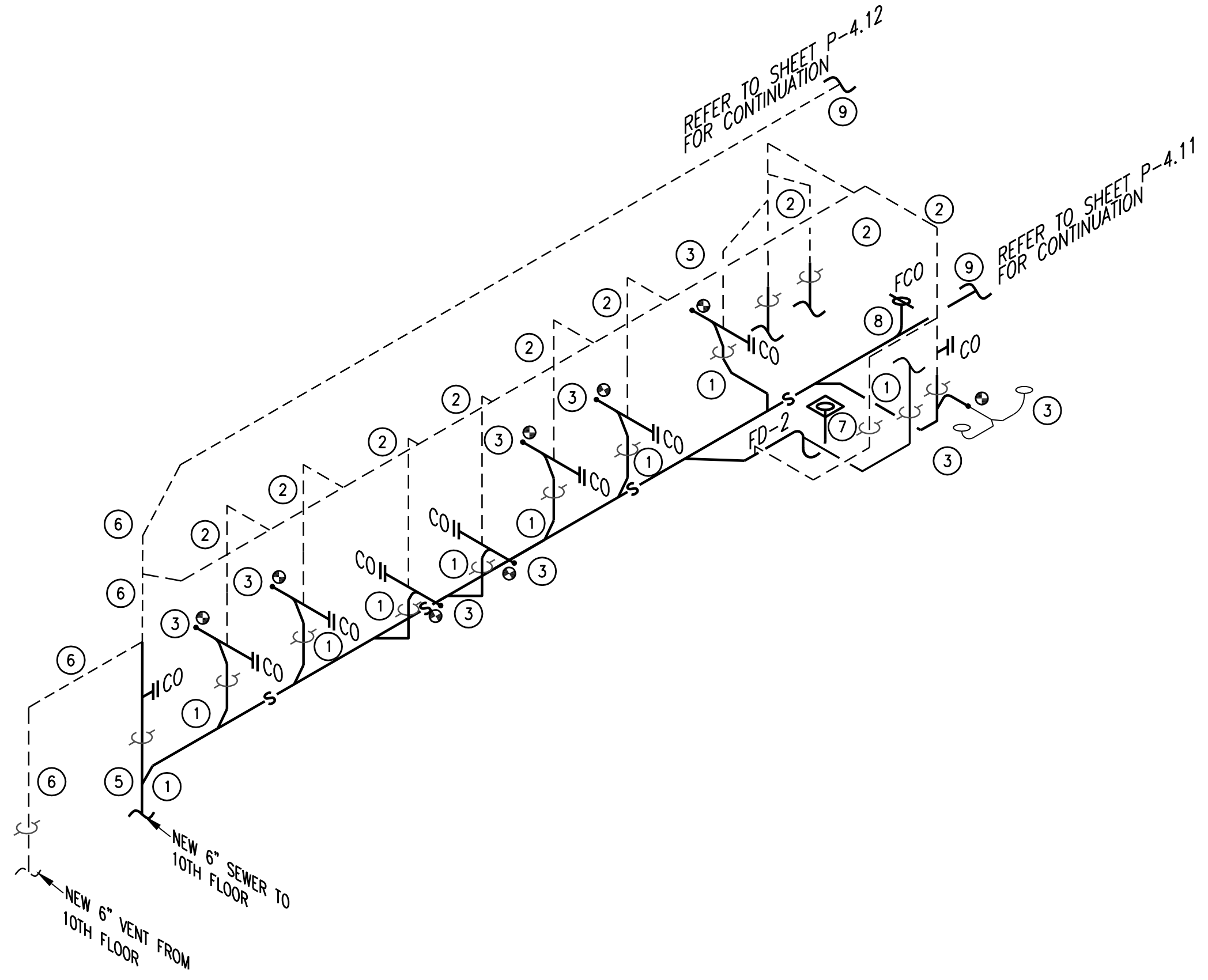
- 1 THE INTENT IS TO REMODEL REPLACEMENT OF THE SEWER AND VENTING SYSTEMS FOR THE FACILITY. THIS FACILITY IS A 24/7 SECURED OPERATION FACILITY, SO THE CONTRACTOR SHALL COORDINATE ALL DEMOLITION AND REMODEL WORK WITH THE DETENTION PERSONNEL.
- 2 SOME PLUMBING CHASES CONTAIN MECHANICAL DUCTWORK, THE CONTRACTOR SHALL COORDINATE THE INSTALLATION OF NEW SEWER AND VENT PIPING WITH THIS DUCTWORK.

REMODEL PLUMBING KEYED NOTES:

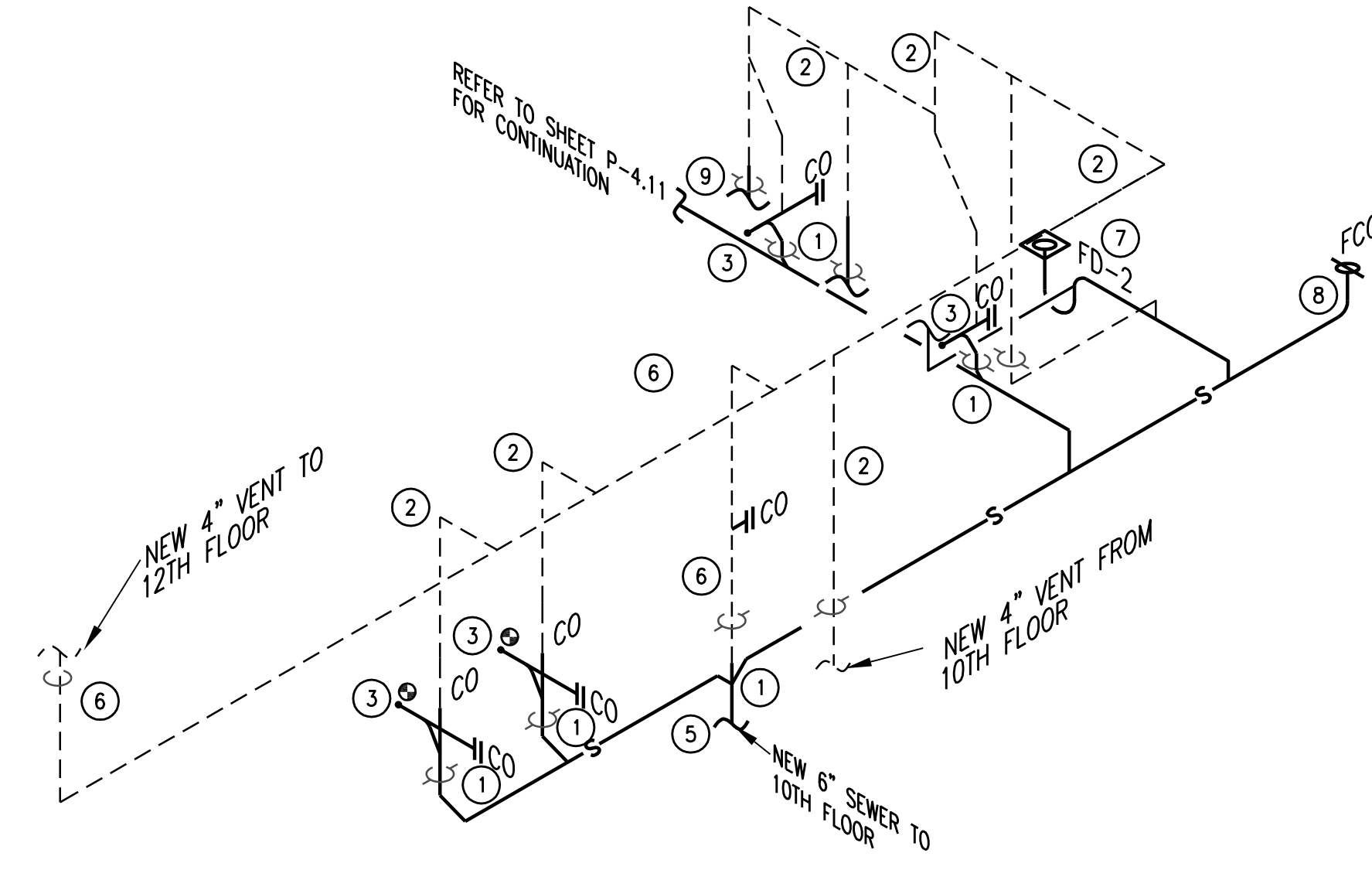
- 1 REPLACE EXISTING SEWER WITH NEW SEWER PIPING AT SIZE AS INDICATED. INSTALL AND SUPPORT PIPING PER SCHEMATICS 8/P1.01, 9/P-1.01 AND 12/P-1.01.
- 2 REPLACE EXISTING VENT WITH NEW VENT PIPING AT SIZE AS INDICATED. INSTALL AND SUPPORT PIPING PER SCHEMATICS 8/P1.01, 9/P-1.01 AND 12/P-1.01.
- 3 EXISTING SEWER AND VENT PIPING FROM STAND ALONE WC, FLOOR DRAINS, AND SHOWER ASSEMBLIES FIXTURE IS TO REMAIN AND BE RECONNECTED TO THE NEW SEWER MAIN AT WALL/FLOOR PENETRATION AS INDICATED.
- 4 EXISTING FLOOR PENETRATION TO BE FILLED IN WITH CONCRETE TO SEAL THE OPENING.
- 5 NEW MAIN SEWER RISER PIPING IS TO REPLACE THE EXISTING RISER IN THE SAME PLACE IN CHASE TO BE INSTALLED IN SAME LOCATION OF EXISTING MAIN SEWER RISER PIPING, REFER TO SCHEMATIC 8/P-1.01 FOR FLOOR PENETRATION.
- 6 NEW MAIN VENT RISER PIPING IS TO REPLACE THE EXISTING RISER IN THE SAME PLACE IN CHASE TO BE INSTALLED IN SAME LOCATION OF EXISTING MAIN VENT RISER PIPING, REFER TO SCHEMATIC 8/P-1.01 FOR FLOOR PENETRATION.
- 7 NEW FLOOR DRAIN (FD-2) TO BE INSTALLED IN PLUMBING CHASE, REFER TO 11/P-1.01 FOR FURTHER INFORMATION.
- 8 NEW FLOOR CLEANOUT (FCO) TO BE INSTALLED PER SCHEMATIC 1/P-1.01.
- 9 PIPING PENETRATION WALL PER SCHEMATIC 7/P1.01.



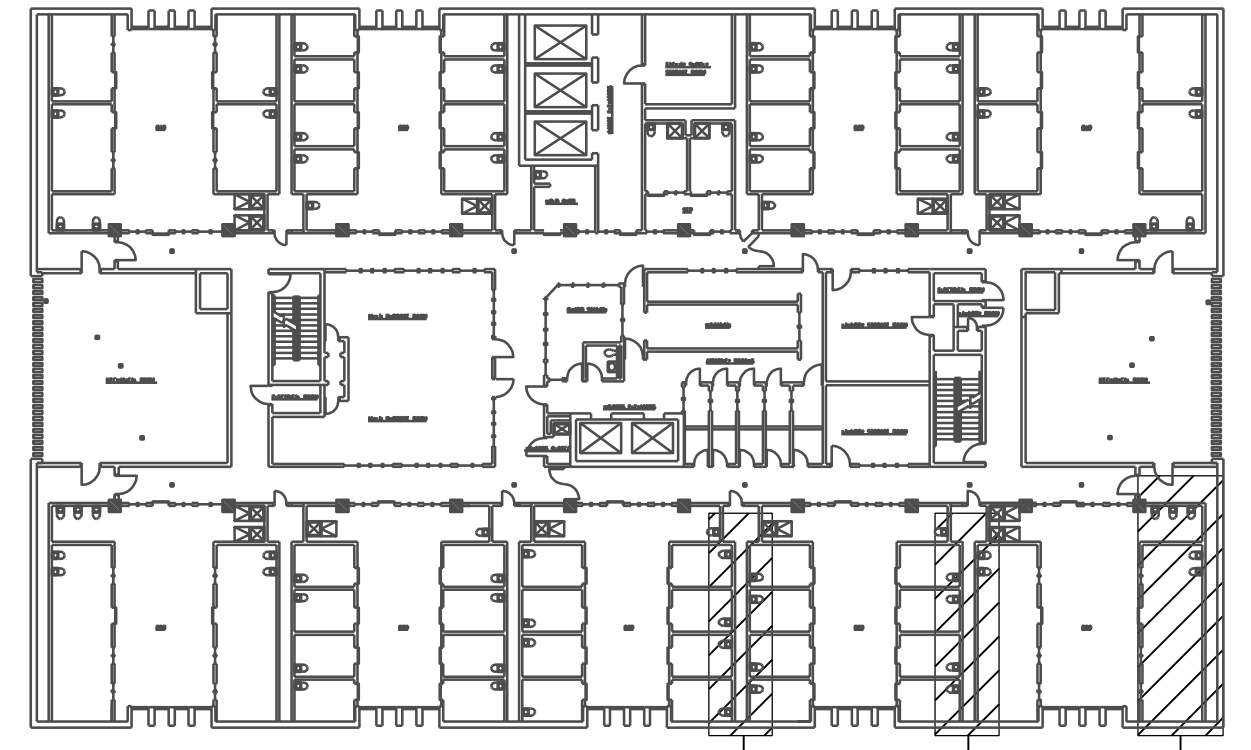
4 SEWER WASTE AND VENT PIPING ISOMETRIC
SCALE: NONE
REFER TO 1/P-538 FOR FLOOR PLAN



5 SEWER WASTE AND VENT PIPING ISOMETRIC
SCALE: NONE
REFER TO 2/P-538 FOR FLOOR PLAN



6 SEWER WASTE AND VENT PIPING ISOMETRIC
SCALE: NONE
REFER TO 3/P-538 FOR FLOOR PLAN



ELEVENTH FLOOR KEY PLAN
SCALE: NONE

THIS DOCUMENT, WHETHER IN HARD COPY OR MACHINE READABLE FORMAT, IS COPYRIGHTED AND AN INSTRUMENT OF SERVICES IN RESPECT TO THE PROJECT FOR WHICH IT WAS PREPARED. THIS DOCUMENT IS NOT INTENDED OR AUTHORIZED FOR REUSE BY ANY PARTY ON EXTENSIONS OF SUCH PROJECT OR ANY OTHER PROJECT. ANY REUSE, INCLUDING COPYING AND/OR MODIFYING THE DOCUMENT, WITHOUT WRITTEN PERMISSION FROM EMC ENGINEERS FOR THE SPECIFIC PURPOSE INTENDED IS A VIOLATION OF FEDERAL COPYRIGHT LAW. UNAUTHORIZED USE OF THIS MATERIAL MAY RESULT IN CIVIL AND/OR CRIMINAL PENALTIES.
COPY RIGHT 2013 EMC ENGINEERS.

Project:	UPGRADE AND REPLACE THE SANITARY SEWER SYSTEM AT THE EL PASO COUNTY DETENTION FACILITY
Location:	601 E OVERLAND STREET EL PASO, TEXAS
Job Number:	ETC-2108022
Date:	11/23/2021
Scale:	AS SHOWN
Sheet:	P-5.38
93 of: X	

Rev.#	Date	Initial	Description
1			ETC
2			ETC
3			ETC

EMC ENGINEERS
2311 E. BUSINESS AVENUE SUITE 100
EL PASO, TEXAS 79901
TEL: 915-781-2030
FAX: 915-781-2035
WWW.EMCENGINEERS.COM
EMC PROJECT #2108022



ELECTRICAL GENERAL NOTES:

- THESE ELECTRICAL GENERAL NOTES ARE APPLICABLE TO ALL ELECTRICAL SHEETS IN THIS PROJECT SET.
- THE ELECTRICAL WORK SHALL BE PERFORMED IN STRICT ACCORDANCE WITH THE APPLICABLE AND ADOPTED PROVISIONS OF THE FOLLOWING CODES:
 - 2014 NATIONAL ELECTRICAL CODE
 - 2015 INTERNATIONAL BUILDING CODE
 - 2015 INTERNATIONAL PLUMBING CODE
 - 2015 INTERNATIONAL MECHANICAL CODE
 - 2015 INTERNATIONAL FIRE CODE
 - 2015 INTERNATIONAL FUEL CODE
 - 2015 INTERNATIONAL ENERGY CONSERVATION CODE
 AS ADOPTED AND INTERPRETED BY THE STATE OF TEXAS, COUNTY OF EL PASO, CITY OF EL PASO, TEXAS COMMISSION ON JAIL STANDARDS, AND THE NATIONAL FIRE PROTECTION ASSOCIATION (NFPA) REGULATIONS, CURRENT ADOPTED EDITION REGARDING MECHANICAL /PLUMBING SYSTEMS, FIRE PROTECTION AND ALARM SYSTEMS AND ELECTRICAL SYSTEMS.
- THE CONTRACTOR SHALL COORDINATE WITH OWNER AND ENGINEER ANY WORK THAT HAS THE POTENTIAL TO HINDER ELECTRICAL SERVICES TO AREAS OUTSIDE OF THIS CONTRACT. ALL SHUT-DOWNS OR TIE-INS RELATING TO THESE SYSTEMS SHALL BE SCHEDULED AND SUBMITTED IN WRITING TO BE APPROVED BY THE OWNER'S FACILITY MANAGEMENT, OWNER, OR ENGINEER. CONTRACTOR SHALL SUBMIT IN WRITING A SCHEDULE FOR PHASING OF CONSTRUCTION THAT INDICATES AREAS OF FIRST PRIORITY DURING EACH PHASE AND ANTICIPATED COMPLETION TIMES. SCHEDULES SHALL BE SUBMITTED A MINIMUM OF ONE WEEK PRIOR TO COMMENCING WORK. FACILITY MANAGEMENT, OWNER OR ENGINEER SHALL REVIEW THESE SCHEDULES AND NOTIFY CONTRACTOR OF ACCEPTANCE PRIOR TO COMMENCEMENT OF WORK.
- ALL MATERIALS AND LABOR NECESSARY TO COMPLY WITH CODES AND RULES, REGULATIONS AND ORDINANCES SHALL BE PROVIDED, WHERE THE DRAWINGS AND/OR SPECIFICATIONS INDICATE MATERIALS OR CONSTRUCTION IN EXCESS OF CODE REQUIREMENTS, THE DRAWINGS AND/OR SPECIFICATIONS SHALL GOVERN. THE CONTRACTOR SHALL HOLD AND SAVE THE OWNER AND ENGINEERS FREE AND HARMLESS FROM LIABILITY OF ANY NATURE OR KIND ARISING FROM HIS FAILURE TO COMPLY WITH ALL APPLICABLE CODES AND ORDINANCES.
- BIDDERS SHALL VISIT THE SITE AND SHALL BE RESPONSIBLE FOR HAVING ASCERTAINED PERTINENT LOCAL CONDITIONS SUCH AS LOCATION, ACCESSIBILITY AND GENERAL CHARACTER OF THE SITE, THE CHARACTER AND EXTENT OF THE WORK WITHIN THE BUILDING AND TO BECOME FAMILIAR WITH ALL OTHER WORK TO BE PERFORMED AT THIS TIME. NO ADDITIONAL COMPENSATION WILL BE ALLOWED DUE TO CONTRACTOR'S FAILURE TO DETERMINE ALL CONDITIONS UNDER WHICH THE WORK IS TO BE PERFORMED.
- BEFORE YOU DIG ALL EXISTING UTILITIES I.E. WATER, SEWER, GAS, FIRE LINE, ELECTRICITY, TELEPHONE, CABLE, IRRIGATION LINES, SHALL BE LOCATED AND CLEARLY MARKED IN ORDER TO AVOID UNNECESSARY SHUT DOWNS AND EMERGENCY.
- EACH CONTRACTOR SHALL GIVE ALL REQUISITE NOTICES, OBTAIN AND PAY FOR ALL PERMITS, DEPOSITS AND FEES (INCLUDING UTILITY CONNECTIONS FEES, ANY UTILITY EXTENSION FEES, IMPACT FEES, AND DEVELOPMENT FEES) NECESSARY FOR THE INSTALLATION OF WORK UNDER THESE NOTES. TWO (2) COPIES OF CERTIFICATES OF APPROVAL SHALL BE OBTAINED FROM ALL AUTHORITIES ISSUING SAME AND SHALL BE TURNED OVER TO OWNER OR ENGINEER PRIOR TO FINAL ACCEPTANCE OF THE WORK.
- REQUIRED INSURANCE SHALL BE PROVIDED BY THIS CONTRACTOR FOR PROTECTION AGAINST PUBLIC LIABILITY AND PROPERTY DAMAGE FOR THE DURATION OF WORK. CONTRACTOR SHALL SECURE AND PAY ALL PERMITS, FEES, INSPECTIONS, AND TESTS UNLESS OTHERWISE INDICATED. COORDINATE WITH ENGINEER OR OWNER. SUBSTITUTIONS REQUESTED BY THE CONTRACTOR SHALL BE PAID FOR BY THE CONTRACTOR.
- ALL WORK SHALL CONFORM WITH FEDERAL, STATE, AND LOCAL CODES, RULES, AND REGULATIONS. ALL WORK SHALL BE PERFORMED BY A LICENSED CONTRACTOR IN A FIRST CLASS WORKMANLIKE MANNER. THE SYSTEMS SHALL BE INSTALLED COMPLETE AND FULLY OPERATIVE UNLESS OTHERWISE INDICATED.
- CONTRACTOR SHALL FIELD VERIFY EXISTING CONDITIONS AND PROVIDE A WRITTEN REPORT TO THE ENGINEERING OFFICE. THIS REPORT SHALL DESCRIBE EXISTING DAMAGE OR OTHER CONDITIONS THAT MAY INTERFERE WITH THIS PROPOSED NEW WORK. THIS SITE SURVEY SHALL ALSO INCLUDE VERIFICATION OF SIZES, LOCATIONS, AND CONDITIONS OF EXISTING UTILITIES. QUESTIONS REGARDING THESE DRAWINGS SHALL BE ADDRESSED TO THE ENGINEER PRIOR TO THE AWARDDING OF THE CONTRACT. OTHERWISE THE ENGINEER'S INTERPRETATION OF THE MEANING AND INTENT OF THE DRAWINGS SHALL BE FINAL.
- WHERE STRUCTURE IS ALTERED OR DAMAGED DURING CONSTRUCTION, INSTALLATION AND REMOVAL OF EQUIPMENT OR FIXTURES, THE CONTRACTOR SHALL REPAIR THE AREA TO MATCH SURROUNDING AREA PER SPECIFICATIONS. CUTTING, TRENCHING, AND PENETRATIONS THROUGH FIRE WALL, CONCRETE AND OTHER STRUCTURES ARE A PART OF THIS PROJECT SCOPE AND SHALL BE INCLUDED IN THE CONTRACTOR'S BID. ALL EXCAVATION AND BACKFILLING REQUIRED FOR ELECTRICAL WORK IS ALSO INCLUDED AS PART OF THIS CONTRACT AND SHALL BE INCLUDED IN CONTRACTOR'S BID.
- ALL SYSTEMS AND COMPONENTS SHALL BE APPROVED FOR THE PURPOSE FOR WHICH INSTALLED. ALL EQUIPMENT AND MATERIALS SHALL BE NEW AND FROM ESTABLISHED AMERICAN SUPPLIERS UNLESS OTHERWISE INDICATED.
- ALL EQUIPMENT PARAMETERS SHOWN ARE FOR PERFORMANCE AT SITE ALTITUDE. SUPPLIERS SHALL SELECT AND DEMONSTRATE THAT THEIR EQUIPMENT MEETS THE DESIGN CONDITIONS AT SITE ALTITUDE.
- ELECTRICAL CONTRACTOR SHALL COORDINATE WITH MECHANICAL CONTRACTOR THE MECHANICAL EQUIPMENT'S ELECTRICAL REQUIREMENTS, INCLUDING POWER, CONTROL, COMMUNICATION, AND MONITORING, OF EACH DEVICE PROVIDED AND/OR INSTALLED BY MECHANICAL CONTRACTOR.
- SUPPORT SYSTEM FOR EQUIPMENT SUPPORTED BY THE BUILDING STRUCTURE SHALL BE SUBMITTED TO THE STRUCTURAL ENGINEER FOR APPROVAL PRIOR TO PURCHASE AND INSTALLATION. NO WIRE OR PERFORATED STRAP WILL BE PERMITTED FOR ANY HANGER OR SUPPORT.
- THE CONTRACTOR SHALL NOT SCALE THE CONTRACT DOCUMENTS. THE CONTRACT DOCUMENTS ARE DIAGRAMMATIC IN NATURE AND DO NOT COMPLETELY DEPICT ALL EXISTING CONDITIONS IN THE AREA.
- IT SHALL BE THE CONTRACTOR'S RESPONSIBILITY TO LOOK THROUGH ALL DRAWINGS ASSOCIATED WITH THIS PROJECT. WORK ASSOCIATED WITH THE ELECTRICAL CONTRACTOR'S TRADE MAY BE SHOWN ON OTHER DRAWINGS, INCLUDING DRAWINGS, AND/OR RESULTS OF THE FAILURE TO INCLUDE THESE ITEMS SHOWN ON OTHER DRAWINGS WILL BE INCURRED BY THE CONTRACTOR. SHOULD THE CONTRACTOR ENCOUNTER ANY DISCREPANCIES OR INCONSISTENCIES IN THE CONSTRUCTION DOCUMENTS, THE MORE STRINGENT SHALL GOVERN.
- PROVIDE OWNER WITH THREE (3) COPIES OF ALL INSTALLATIONS INSTRUCTIONS, PRODUCT DATA SUBMITTAL INFORMATION, WARRANTIES, CONTACT INFORMATION DURING WARRANTY PERIOD AND BALANCING REPORTS IN 3-RING BINDERS.
- CONTRACTOR SHALL MAKE NO PENETRATIONS WHATSOEVER OF WALLS FORMING PART OF A STAIRWELL, AN EXIT PASSAGEWAY, OR OTHER TWO-HOUR RATED WALLS. ALL CONDUITS SHALL RUN PARALLEL TO WALLS.
- CONTRACTOR SHALL SAW CUT AND PATCH ASPHALT, CONCRETE OR OTHER MATERIAL ENCOUNTERED AS REQUIRED TO INSTALL NEW UNDERGROUND RACEWAY. REFER TO SPECIFICATIONS REGARDING PATCHING REQUIREMENTS.
- CONTRACTOR SHALL PROVIDE AND INSTALL IDENTIFICATION TAGS FOR EQUIPMENT AND CONDUITS PER ASME 13.1 SCHEME OF IDENTIFICATION FOR PIPING. BURED ELECTRICAL CONDUITS SHALL BE MARKED PER CODE REQUIREMENTS WITH UNDERGROUND WARNING TAPE 3" BELOW FINISHED GRADE. TAPE SHALL BE 4" WIDE COLORED RED WITH SUITABLE WARNING LEGEND PER ASME A13.1 SCHEME OF IDENTIFICATION FOR PIPING.
- CONTRACTOR SHALL REFER TO SPECIFICATIONS FOR ALTERNATES AND ALLOWANCES FOR THIS PROJECT, IF APPLICABLE.
- THE ELECTRICAL CONTRACTOR SHALL PROVIDE AND HAVE INSTALLED ANY ACCESS DOOR REQUIRED TO ACCESS ELECTRICAL EQUIPMENT AND/OR JUNCTION BOXES THAT REQUIRES ACCESS BEHIND GIPOBOARD OR HARD CEILING AND IN WALLS. THE ELECTRICAL CONTRACTOR SHALL PROVIDE THE GENERAL CONTRACTOR WITH THESE ACCESS DOORS FOR INSTALLATION IN THE CEILING OR WALL. ACCESS DOORS SHALL BE RATED FOR THE WALL, FLOOR, OR CEILING TYPE AND SHALL BE A MINIMUM SIZE OF 12"X12".
- SITE VISIT REPORTS: DURING THE COURSE OF THE JOB, THE ENGINEER WILL MAKE SITE VISITS TO OBSERVE WORK IN PROGRESS AND WILL SUBSEQUENTLY PREPARE A WRITTEN SITE VISIT REPORT, WHICH WILL BE SENT TO THE CONTRACTOR AND TO WHOMEVER ELSE THE ENGINEER DESIRES. THE CONTRACTOR SHALL PREPARE A WRITTEN AND TYPED RESPONSE WITHIN SEVEN (7) CALENDAR DAYS OF HIS RECEIVING THE SITE VISIT REPORT. THE CONTRACTOR SHALL ACCOMPANY THE ENGINEER DURING THE FINAL PUNCHLIST VISIT UPON THE REQUEST OF THE ENGINEER. THE GENERAL CONTRACTOR SHALL INCLUDE IN HIS RESPONSE TO THE FOLLOWING INFORMATION:
 - DATE OF SITE VISIT BY THE ENGINEER.
 - DATE OF RECEIPT OF THE SITE VISIT REPORT.
 - NAME AND TITLE OF THE PREPARER OF THE RESPONSE.
 - AN ITEM NUMBER REFERENCED TO THE SITE REPORT.
 - A BRIEF THREE OR FOUR WORD DESCRIPTION OF THE ITEM.
 - THE CONTRACTOR OR SUBCONTRACTOR AFFECTED.
 - THE PROPOSED COURSE OF ACTION.
 - AN EXPECTED TIME OF COMPLETION OF THE ACTION.
- FINAL PUNCH REPORTS: AT THE COMPLETION OF THE JOB, THE ENGINEER WILL MAKE PUNCHLIST SITE VISITS TO OBSERVE COMPLETED WORK AND WILL SUBSEQUENTLY PREPARE A WRITTEN SITE VISIT PUNCHLIST REPORT, WHICH WILL BE SENT TO THE CONTRACTOR AND TO WHOMEVER ELSE THE ENGINEER DESIRES. THE CONTRACTOR, UPON COMPLETION OF THE LISTED PUNCHLIST ITEMS, SHALL PREPARE A TYPED WRITTEN RESPONSE TO THE LIST INDICATING COMPLETION OF EACH ITEM. THE CONTRACTOR SHALL INCLUDE IN HIS RESPONSE THE RESOLUTION OF EACH ITEM. THE CONTRACTORS SHALL ACCOMPANY THE ENGINEER DURING THIS FINAL PUNCHLIST VISIT UPON THE REQUEST OF THE ENGINEER.

- ALL ELECTRICAL CONDUIT AND PANEL OPENINGS SHALL BE CAPPED DURING DEMOLITION AND CONSTRUCTION.
- SUBMITTAL REQUIREMENTS:
 - A. THE INTENT OF THIS SECTION IS TO GIVE GENERAL SUBMITTAL INFORMATION, REFER TO SPECIFIC SUBMITTAL INFORMATION IN THE SUBSEQUENT ELECTRICAL SECTIONS.
 - B. WITHIN 10 DAYS AFTER AWARD OF THE CONTRACT, AND BEFORE ORDERS ARE PLACED, CONTRACTOR SHALL SUBMIT SPECIFIC INFORMATION ON LIST OF EQUIPMENT AND PRINCIPAL MATERIALS. SPECIFIED CONTRACTOR SHALL INDICATE AND/OR PROVIDE NAMES OF MANUFACTURERS, CATALOG AND MODEL NUMBERS, CATALOG SHEETS, AND SUCH OTHER SUPPLEMENTARY INFORMATION AS NECESSARY FOR EVALUATION. MINIMUM OF SIX (6) COPIES, OR AS DIRECTED BY THE ENGINEER, OF EACH SHALL BE SUBMITTED AND SHALL INCLUDE ALL ITEMS MENTIONED BY MODEL NUMBER AND/OR MANUFACTURER'S NAME IN THE SPECIFICATIONS OR IN SCHEDULES ON THE DRAWINGS.
 - C. REQUIREMENTS FOR EACH SUBMITTAL:
 - BEAR A DATED STAMP OR SPECIFIC WRITTEN INDICATION THAT THE CONTRACTOR HAS REVIEWED AND APPROVED ALL SUBMITTAL PRIOR TO SUBMISSION TO ENGINEER.
 - HAVE ALL INFORMATION DELETED BY CONTRACTOR THAT PERTAINS TO THE MEANS AND METHODS OF CONSTRUCTION OR TO FABRICATION, ASSEMBLY, INSTALLATION, OR ERECTION (APPROVAL BY ENGINEER SHALL NOT EXTEND TO THESE AREAS UNLESS SPECIFICALLY NOTED BY ENGINEER).
 - BE CLEARLY AND SPECIFICALLY MARKED AS TO WHICH SPECIFIC PIECE OF EQUIPMENT IS BEING SUBMITTED, BY USE OF A PERMANENT MARKER, STAMP, ETC., SO AS TO DISTINGUISH IT FROM OTHER PIECES OF EQUIPMENT THAT MAY OCCUR ON THE SAME PAGE.
 - BE CLEARLY AND SPECIFICALLY MARKED AS TO WHICH AVAILABLE OPTIONS ARE BEING SUBMITTED WITH A PIECE OF EQUIPMENT, AND BE COMPLETE WITH RESPECT TO QUANTITIES, DIMENSIONS, SPECIFIC PERFORMANCE, MATERIALS, AND SIMILAR DATA TO ENABLE THE ENGINEER TO REVIEW THE PROPOSED EQUIPMENT.
 - OMISSION BY CONTRACTOR OF ANY OF THE ABOVE REQUIREMENTS OR SUBMITTALS WILL SUBJECT SUBMITTAL TO AUTOMATIC REJECTION WITHOUT REVIEW.
 - ANY SUBMITTALS RECEIVED BY ENGINEER THAT WERE NOT REQUESTED SHALL BE RETURNED WITHOUT REVIEW OF ANY KIND. SUBMITTALS SHALL INDICATE MINIMUM ACCESS AND SERVICE CLEARANCES IF REQUIRED BY THE SUBMITTED EQUIPMENT.
 - INSTALLATION INSTRUCTIONS -- FOR CERTAIN PRODUCTS OR SYSTEMS AS IDENTIFIED IN SUBSEQUENT SPECIFICATIONS THE SECTIONS OR ON THE DRAWINGS, THE CONTRACTOR SHALL BE REQUIRED TO PROVIDE COPIES OF MANUFACTURER'S INSTALLATION INSTRUCTIONS WITH THE SUBMITTAL, WHEN REQUIRED AS SUCH, THE INSTALLATION INSTRUCTIONS ARE CONSIDERED PART OF THE SUBMITTAL AND THEIR OMISSION MAY RESULT IN AUTOMATIC REJECTION OF THE SUBMITTAL, WHERE MORE THAN ONE IDENTICAL DEVICE ARE SCHEDULED, ONLY ONE SET OF INSTALLATION INSTRUCTIONS NEEDS TO BE SUBMITTED.
 - THIS ENGINEER WILL REVIEW THE SUBMITTALS FOR APPROVAL TWICE, ANY ADDITIONAL REVIEWS THAT ARE REQUIRED BY THE ENGINEER FOR WHATEVER REASON AFTER THE INITIAL TWO REVIEWS WILL RESULT IN ADDITIONAL COMPENSATION FOR THE ENGINEER'S TIME BY THE SUBMITTING CONTRACTOR AT THE ENGINEER'S RATE.
- REQUIRED SHOP DRAWING SUBMITTALS:
 - A. PANELBOARDS INCLUDING CIRCUIT BREAKERS
 - B. DISCONNECTS INCLUDING FUSES OR MAGNETIC STARTERS
 - C. RECEPTABLES AND COVER PLATES
 - D. GROUNDING
 - E. WIRING
 - F. CONDUIT
 - G. JUNCTION BOXES AND ENCLOSURES

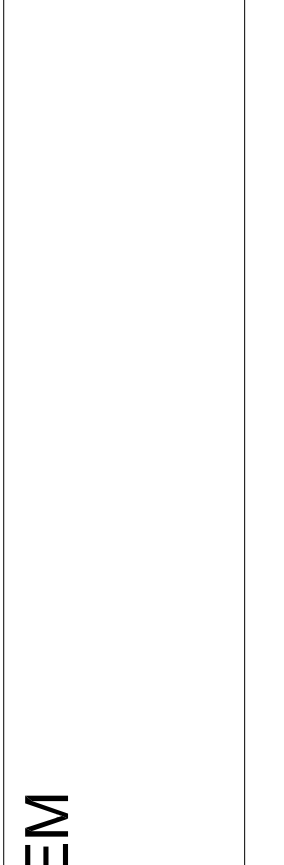
SYMBOL LEGEND	
SYMBOL	DESCRIPTION
	MECHANICAL EQUIPMENT DESIGNATION – SEE MECHANICAL EQUIPMENT SCHEDULE
	WEATHERPROOF
	ABOVE FINISH FLOOR
	DENOTES RED DEVICE FOR EMERGENCY PURPOSES.
	EMERGENCY
	EXISTING
	UNLESS NOTED OTHERWISE
	TRANSFORMER AS NOTED.
	SPECIAL CABINET AS NOTED.
	PANELBOARD. SEE PANEL SCHEDULE FOR CHARACTERISTICS.
	SAFETY SWITCH, PROVIDED AND INSTALLED UNDER DIV. 26. TO HAVE POLES AND RATING REQUIRED. TO BE MOUNTED IN NEMA 3R IF INSTALLED OUTDOORS.
	SPECIAL SYSTEMS UNDERGROUND CIRCUIT, 2'-0" MIN. BELOW GRADE.
	ELECTRICAL UNDERGROUND CIRCUIT, 2'-0" MINIMUM BELOW GRADE.
	BRANCH CIRCUIT IN WALLS OR CEILING.
	BRANCH CIRCUIT EXPOSED.
	HOME RUN TO PANEL WITH BRANCH CIRCUIT NUMBERS INDICATED. TIC MARKS REPRESENT NEUTRAL, HOT, SWITCH LEG, AND GROUND CONDUCTORS RESPECTIVELY. CONDUITS WITH NO TIC MARKS SHALL BE: "A HOT AND NEUTRAL," "A HOT AND SWITCH LEG," "A NEUTRAL AND SWITCH LEG," OR "HOT, NEUTRAL, AND GROUND OR ISOLATED GROUND", AS APPLICABLE, NEUTRAL, AND GROUND OR ISOLATED GROUND", AS APPLICABLE.
	NOTE: SOME SYMBOLS SHOWN MAY NOT BE USED ON THIS PROJECT.



THE SEAL APPEARING ON THIS DOCUMENT WAS AUTHORIZED BY ROBERT J. BLANCHETTE, P.E. #120820 (BY EMC ENGINEERS TEXAS FIRM REG. #17491) ON JANUARY 26, 2022.
 HANDWRITING OF A SIGNED DOCUMENT WITHOUT PROPER NOTIFICATION TO THE RESPONSIBLE ENGINEER IS AN OFFENSE UNDER THE TEXAS ENGINEERING PRACTICE ACT.

Rev.#	Date	Initial	Revision	Description:
			EMC	Designed By:
			EMC	Drawn By:
			EMC	Checked By:

EMC ENGINEERS
 23711 E. HURSTON AVENUE, SUITE 100
 EL PASO, TEXAS 79901
 TEL: 915-781-2030
 TEXAS ENGINEERING REG. #42872
 ENGINEERING PROJECT #210802Z

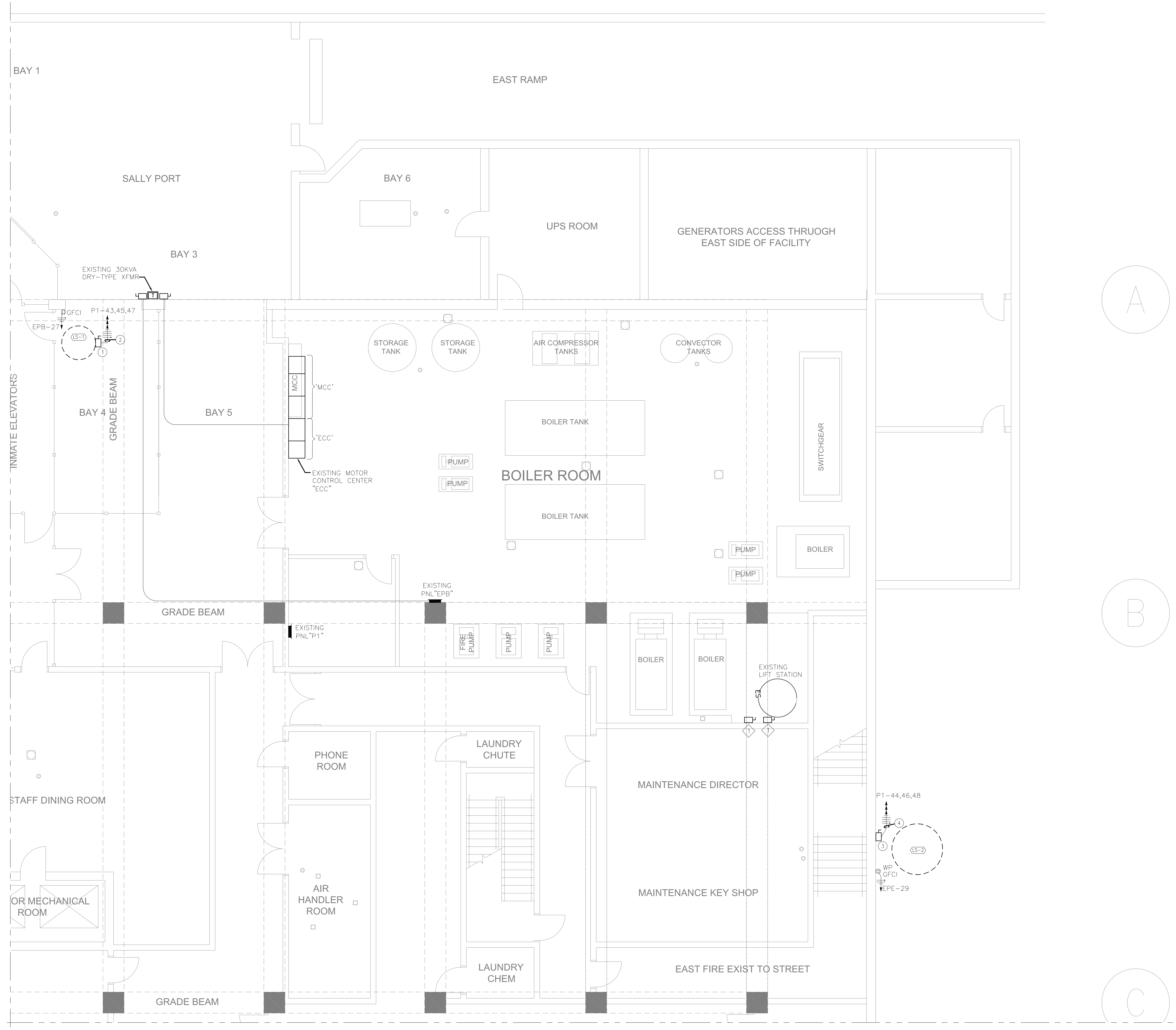


REVISED PANEL "P1" SCHEDULE																		
SERVICE: 480/277		VOLT: 3		PHASE				4		WIRE				ENCLOSURE: NEMA 1		TYPE: SURFACE MOUNTED		
SIC: 42,000		AIC		MAIN: BUS: 400				AMPS		TYPE: MCB COPPER		GROUNDING BUS: COPPER						
LOCATION: BOILER ROOM																		
CKT NO.	CODE	SERVICE	LOAD DESCRIPTION			LOAD IN VA			POLE DESCRIPTION			CODE	CKT NO.					
			POLE	AMP	VA	PH "A"	PH "B"	PH "C"	VA	AMP	POLE			SERVICE				
1													2					
3		SPACE						0					4					
5													6					
7	C	EMG LTS 2ND FL WEST END	1	20	4,000			8,000			4,000	20	1	EMG LTS 2ND FL EAST END	C	8		
9	C	EMG LTS 3RD & 4TH FL WEST END	1	20	4,000			8,000			4,000	20	1	EMG LTS 3RD & 4TH FL EAST END	C	10		
11	C	EMG LTS 5TH & 6TH FL WEST END	1	20	4,000						4,000	20	1	EMG LTS 5TH & 6TH FL EAST END	C	12		
13	C	EMG LTS 7TH & 8TH FL WEST END	1	20	4,000			8,000			4,000	20	1	EMG LTS 7TH & 8TH FL EAST END	C	14		
15	C	EMG LTS 9TH & 10TH FL WEST END	1	20	4,000			8,000			4,000	20	1	EMG LTS 9TH & 11TH FL EAST END	C	16		
17	C	EMG LTS 11TH & 12TH FL WEST END	1	20	4,000			8,000			4,000	20	1	EMG LTS 11TH & 12TH FL EAST END	C	18		
19	0				33,240			44,320					11,080	0	20			
21	0	ECC-MCC MAIN	3	150	33,240			44,320					11,080	50	3	UPS MAIN	0	22
23	0				33,240			44,320					11,080	0	24			
25	C	EMG LTS BASEMENT, EAST	1	20	4,000			8,000			4,000	20	1	EMG LTS 1ST FL, WEST	C	26		
27	C	EMG LTS BASEMENT, WEST RAMP	1	20	4,000			8,000			4,000	20	1	EMG LTS 7TH & 8TH FL WEST/SOUTH	C	28		
29	C	EMG LTS BASEMENT	1	20	4,000			8,000			4,000	20	1	EMG LTS, STAIRWELL WEST	C	30		
31	C	EMG LTS BASEMENT, EAST	1	20	4,000			8,000			4,000	20	1	EMG LTS 1ST FL EAST	C	32		
33	0	UNLABELED LOAD	1	20	4,000			8,000			4,000	20	1	EMG LTS 1ST FL EAST	C	34		
35	0	UNLABELED LOAD	1	20	4,000			8,000			4,000	20	1	EMG LTS STAIRWELL EAST	C	36		
37	M				6,648			19,944					13,296	0	38			
39	M	ROOF AIR CONDITIONER	3	30	6,648			19,944					13,296	60	3	PANEL P2 (GEN ROOM)	0	40
41	M				6,648			19,944					13,296	0	42			
43	M				4,324			12,074					7,750	0	44			
45	M	INT LIFT STATION LS-1 (2X 5 HP)	3	25	4,324			12,074					7,750	40	3	EXT LIFT STATION LS-2 (2X 10 HP)	M	46
47	M				4,324			12,074					7,750	0	48			
49	O	CURRENT SYSTEMS			0			0					0		50			
51	O	TGS-80-480-3Y-MDY-M4E-P			0			0					0		52			
53	O	SURGE PROTECTORS			0			0					0		54			
WIRING AND CONDUITS SHALL BE IN ACCORDANCE WITH E-1.00 ELECTRICAL GENERAL NOTES #36 AND #46, UNLESS NOTED OTHERWISE.											CONNECTED VA		108,338	108,338	108,338	UNBALANCE %		0.00%
DEMAND LOADS MAY VARY FROM CONNECTED LOADS BECAUSE OF CODE DIVERSITIES											CONNECTED AMPS		391.1	391.1	391.1	MAX. AMPS		391.1
											TOTAL CONNECTED KVA		325.0	480.0	391.1			
											DIVERSITY AMPS		420.0	416.4	416.4			
											DIVERSITY VA		116,338	115,338	115,338			
											TOTAL DIVERSITY KVA		347.0	480.0	417.4	DIVERSITY AMPS		
TYPE OF LOAD:		DESCRIPTION		PH "A"	VA	PH "B"	PH "C"	TOTAL VA	DEMAND FACTOR	PH "A"	DIVERSITY VA	PH "B"	PH "C"	DIVERSITY VA				
C CONTINUOUS				32,000.0	28,000.0	28,000.0	88,000.0		1.25	40,000.0	35,000.0	35,000.0	110,000.0					
O OTHER				57,616.0	61,616.0	61,616.0	180,848.0		1.00	57,616.0	61,616.0	61,616.0	180,848.0					
M MECHANICAL				18,722.0	18,722.0	18,722.0	56,166.0		1.00	18,722.0	18,722.0	18,722.0	56,166.0					
TOTAL KVA				108,338.0	108,338.0	108,338.0	325,014.0			116,338.0	115,338.0	115,338.0	347,014.0					

REVISED PANEL "EPB" SCHEDULE																		
SERVICE: 208/120		VOLT: 3		PHASE				4		WIRE				ENCLOSURE: NEMA 1		TYPE: SURFACE MOUNTED		
SIC: 14,000		AIC		MAIN: BUS: 100				AMPS		TYPE: MCB COPPER		GROUNDING BUS: COPPER						
LOCATION: BOILER ROOM																		
CKT NO.	CODE	SERVICE	LOAD DESCRIPTION			LOAD IN VA			POLE DESCRIPTION			CODE	CKT NO.					
			POLE	AMP	VA	PH "A"	PH "B"	PH "C"	VA	AMP	POLE			SERVICE				
1	0	SPACE						0					2					
3	0	SPACE						0					4					
5	0	SPACE											6					
7	0	SPACE						1,000				1,000	20	1	SPARE	0	8	
9	0							1,920				1,800	20	1	SPARE	0	10	
11	0	RELABEL AS "SPARE"	3	20	1,920			2,920			1,800	20	1	PRISONER ELEVATOR CAR LITES	C	12		
13	0				1,920			3,720			1,800	20	1	PUBLIC ELEVATOR CAR LITES	C	14		
15	0	SPARE	1	20	1,000			2,000			1,000	20	1	SPARE	0	16		
17	0				3,840			3,840						0	18			
19	0	RELABEL AS "SPARE"	3	40	3,840			3,840						0	20			
21	0				3,840			3,840						0	22			
23	0	SPACE												0	24			
25	0	SPACE												0	26			
27	R	RECEPTACLE	1	20	180			180						0	28			
29	R	RECEPTACLE	1	20	180			180						0	30			
WIRING AND CONDUITS SHALL BE IN ACCORDANCE WITH E-1.00 ELECTRICAL GENERAL NOTES #36 AND #46, UNLESS NOTED OTHERWISE.											CONNECTED VA		8,560	8,940	7,740	UNBALANCE %		13.42%
											CONNECTED AMPS		71.3	74.5	64.5			
											TOTAL CONNECTED KVA		25.2	208.0	74.5			
											DIVERSITY AMPS		75.1	74.5	68.3			
											DIVERSITY VA		9,010	8,940	8,190			
											TOTAL DIVERSITY KVA		26.1	208.0	72.6	DIVERSITY AMPS		
TYPE OF LOAD:		DESCRIPTION		PH "A"	VA	PH "B"	PH "C"	TOTAL VA	DEMAND FACTOR	PH "A"	DIVERSITY VA	PH "B"	PH "C"	DIVERSITY VA				
C CONTINUOUS		</																



THE SEAL APPEARING ON THIS DOCUMENT WAS AUTHORIZED BY ROBERT J. BLANCHETTE, P.E. #120220 OF EMC ENGINEERS (TEXAS FIRM REG. #F2491) ON 11/23/2021. ANY ALTERATION OF A SEALED DOCUMENT WITHOUT PROPER NOTIFICATION TO THE RESPONSIBLE ENGINEER IS AN OFFENSE UNDER THE TEXAS ENGINEERING PRACTICE ACT.



1
E-200
SCALE: 3/16" = 1'-0"
4 3 2 1 0 4 8 12

BASEMENT ELECTRICAL POWER DEMOLITION AND REMODEL PLAN

ELECTRICAL GENERAL NOTES:

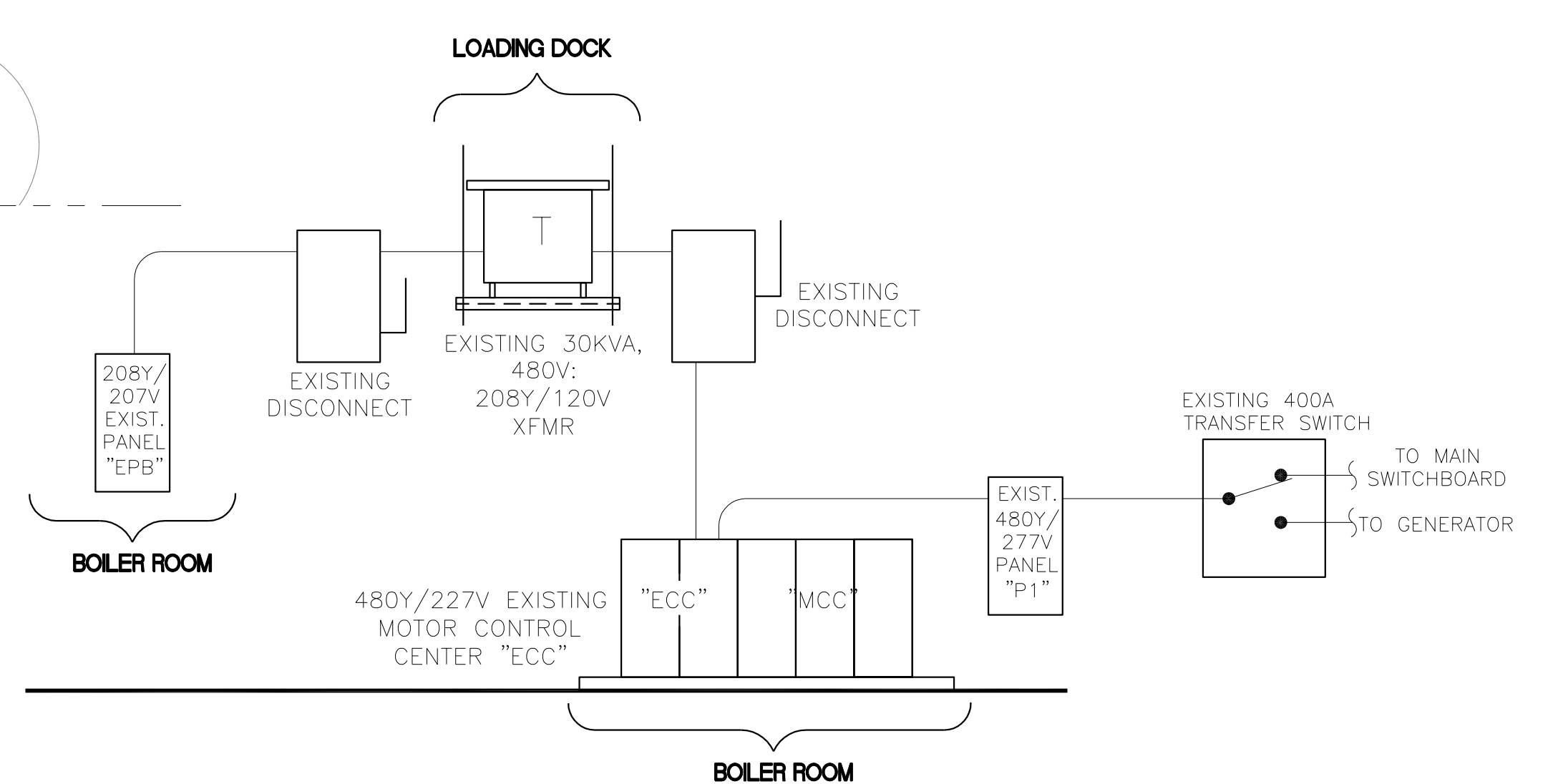
- 1 ALL ELECTRICAL EQUIPMENT, CONDUCTORS AND CONDUIT THAT IS EXISTING TO REMAIN UNLESS OTHERWISE NOTED.
- 2 CLOSELY COORDINATE ELECTRICAL WORK WITH PLUMBING CONTRACTOR FOR PROPER WORK PHASING. EXISTING SUMP PUMPS TO REMAIN ONLINE UNTIL NEW SUMP PUMPS ARE OPERATIONAL.
- 3 PLUMBING WORK ABOVE CEILINGS WILL REQUIRE REMOVAL AND REPAIR OF SOME CEILING SECTIONS. LIGHTING FIXTURES MOUNTED IN DISTURBED PARTS OF CEILING WILL NEED TO BE REMOVED AND REINSTALLED IN THE SAME LOCATION. COORDINATE WITH PLUMBING TO DETERMINE THE IMPACTED FIXTURES.

ELECTRICAL DEMOLITION KEYED NOTES: Ⓛ

- 1 EXISTING DISCONNECT FOR SUMP PUMP TO BE REMOVED. ALSO DEMOLISH ALL CONDUIT AND CONDUCTORS BACK TO SOURCE PANEL "EPB" AND LABEL CIRCUIT BREAKERS AS SPARE. COORDINATE REMOVAL WITH REMOVAL OF SUMP PUMP.

ELECTRICAL REMODEL KEYED NOTES: Ⓢ

- 1 NEW SUMP PUMP MOTOR CONTROLLER MOUNTED ON FREESTANDING RACK WITH INDIVIDUAL AND COMBINED INTEGRAL DISCONNECTS FOR TWO NEW 5HP SUMP PUMPS IN INTERIOR LIFT STATION. REFER TO PLUMBING PLANS AND SCHEDULES.
- 2 NEW 3/4" CONDUIT WITH (3) #12 CU THWN AND (1) #12 CU EGC FOR NEW MOTOR CONTROLLER. HOMERUN TO EXISTING PANEL P1 AND PROVIDE AND INSTALL NEW 3 POLE CIRCUIT BREAKER IN PANEL P1- REFER TO PANEL SCHEDULE ON SHEET E-1.00. VERIFY CIRCUIT AMPACITY AND NEW CIRCUIT BREAKER SIZE WITH MANUFACTURER INFORMATION FOR NEW MOTOR CONTROLLER.
- 3 NEW SUMP PUMP MOTOR CONTROLLER WITH INDIVIDUAL AND COMBINED INTEGRAL DISCONNECTS FOR TWO NEW 10HP SUMP PUMPS IN EXTERIOR LIFT STATION. REFER TO PLUMBING PLANS AND SCHEDULES.
- 4 NEW 3/4" CONDUIT WITH (3) #8 CU THWN AND (1) #10 CU EGC FOR NEW MOTOR CONTROLLER. HOMERUN TO EXISTING PANEL P1 AND PROVIDE AND INSTALL NEW 3 POLE CIRCUIT BREAKER IN PANEL P1- REFER TO PANEL SCHEDULE ON SHEET E-1.00. VERIFY CIRCUIT AMPACITY AND NEW CIRCUIT BREAKER SIZE WITH MANUFACTURER INFORMATION FOR NEW MOTOR CONTROLLER.



2
E-200
SCALE: NONE

EXISTING PARTIAL ELECTRICAL POWER RISER DIAGRAM

THIS DOCUMENT, WHETHER IN HARD COPY OR MACHINE READABLE FORMAT, IS COPYRIGHTED AND AN INSTRUMENT OF SERVICES IN RESPECT TO THE PROJECT FOR WHICH IT WAS PREPARED. THIS DOCUMENT IS NOT INTENDED OR AUTHORIZED FOR REUSE BY ANY PARTY ON EXTENSIONS OF SUCH PROJECT OR ANY OTHER PROJECT. ANY REUSE, INCLUDING COPYING AND/OR MODIFYING THE DOCUMENT, WITHOUT WRITTEN PERMISSION FROM EMC ENGINEERS FOR THE SPECIFIC PURPOSE INTENDED IS A VIOLATION OF FEDERAL COPYRIGHT LAW. UNAUTHORIZED USE OF THIS MATERIAL MAY RESULT IN CIVIL AND/OR CRIMINAL PENALTIES.
COPY RIGHT 2013 EMC ENGINEERS.

**UPGRADE AND REPLACE THE SANITARY SEWER SYSTEM
AT THE EL PASO COUNTY DETENTION FACILITY**
Location: 601 E OVERLAND STREET EL PASO, TEXAS

Project:
Job Number:
Date:
Scale:
Sheet
E-2.00

Rev #	Date	Initial	Revision	Description:

Designed By: EMC
Drawn By: EMC
Checked By: EMC



EMC ENGINEERS
2211 E. MISSOURI
EL PASO, TEXAS 79903
TEL: 915-781-2000
FAX: 915-781-2000
TEXAS FIRM REG. #F491
EMC PROJECT #2108022