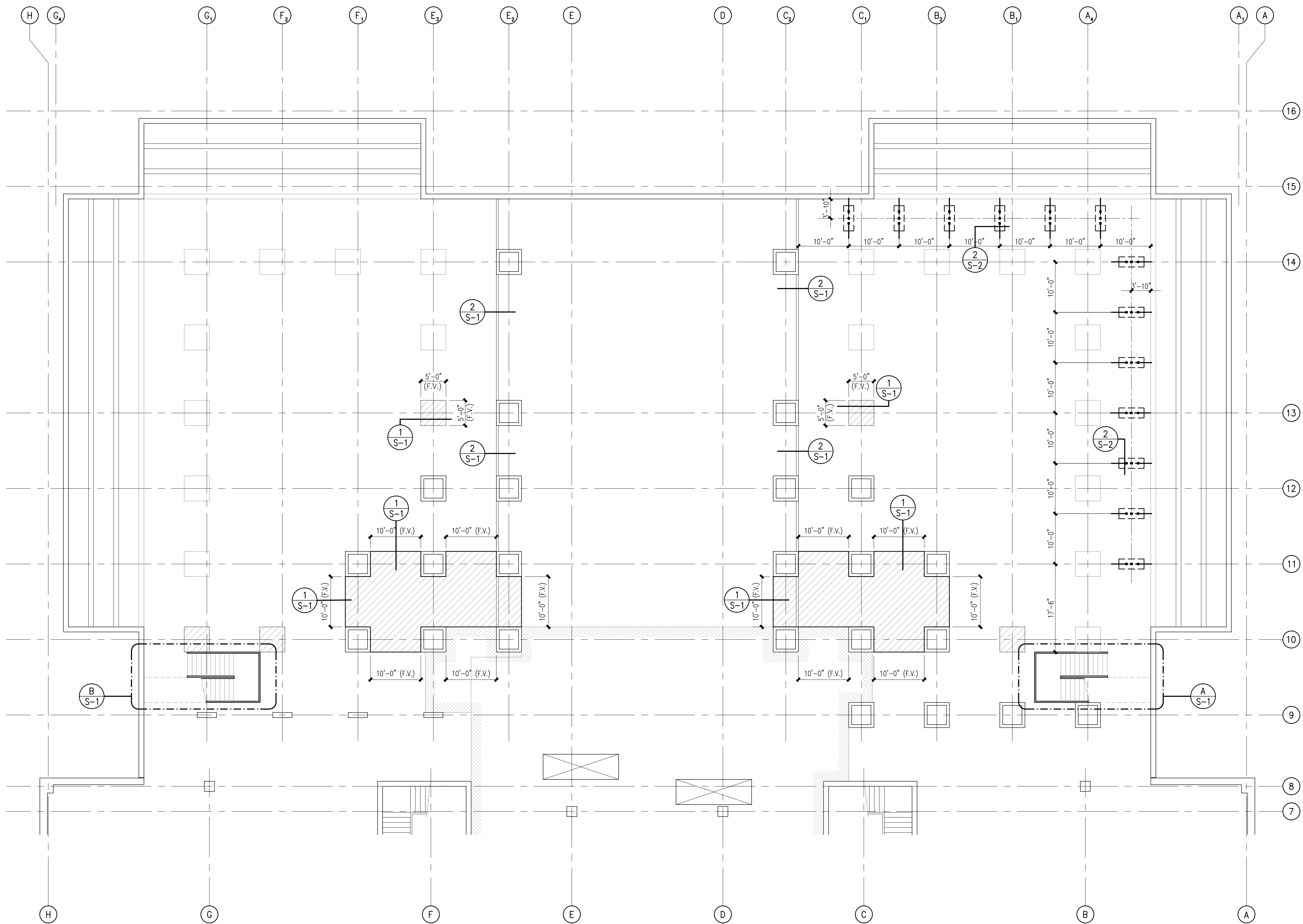


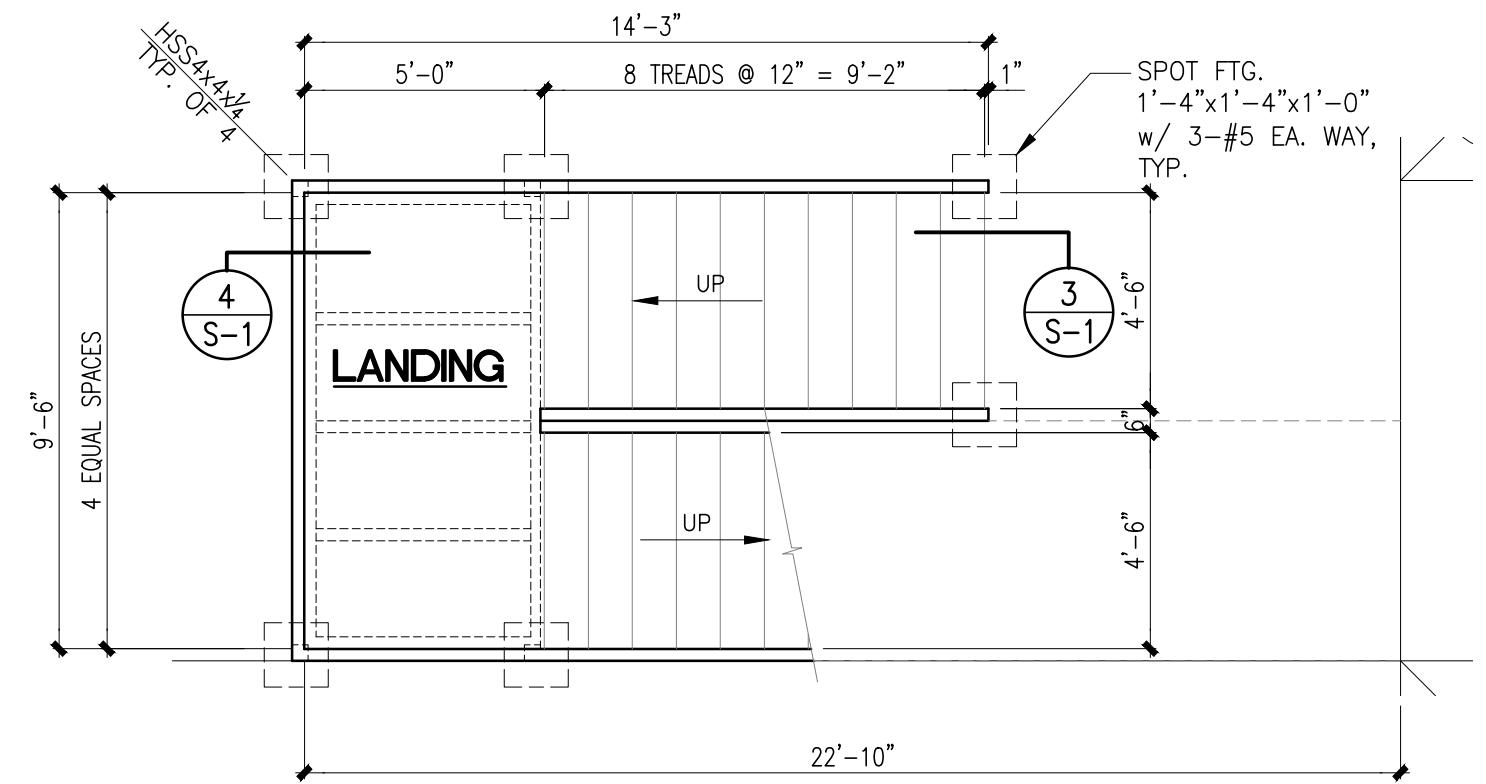
ISSUED FOR CONSTRUCTION

NO.	DATE:	REVISION:

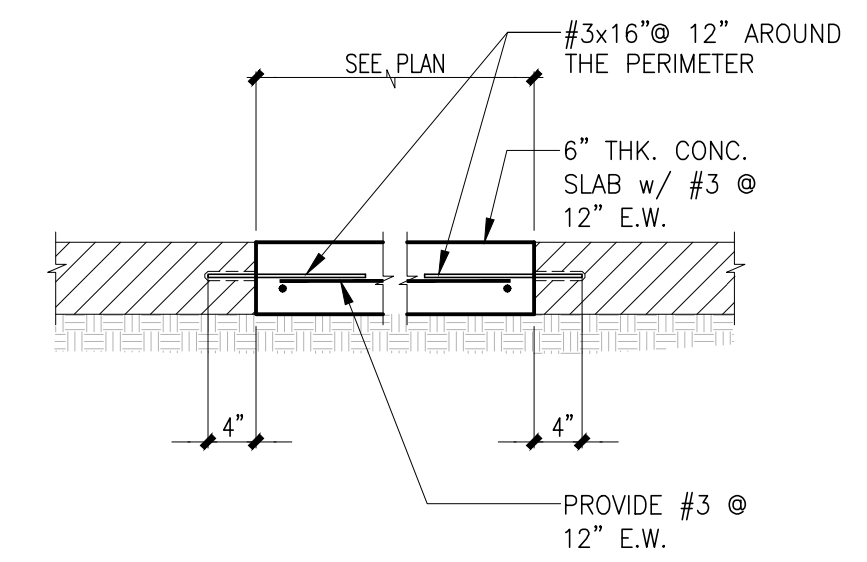
SHEET:  
**S-1**  
 LOWER LEVEL FOUNDATION PLAN



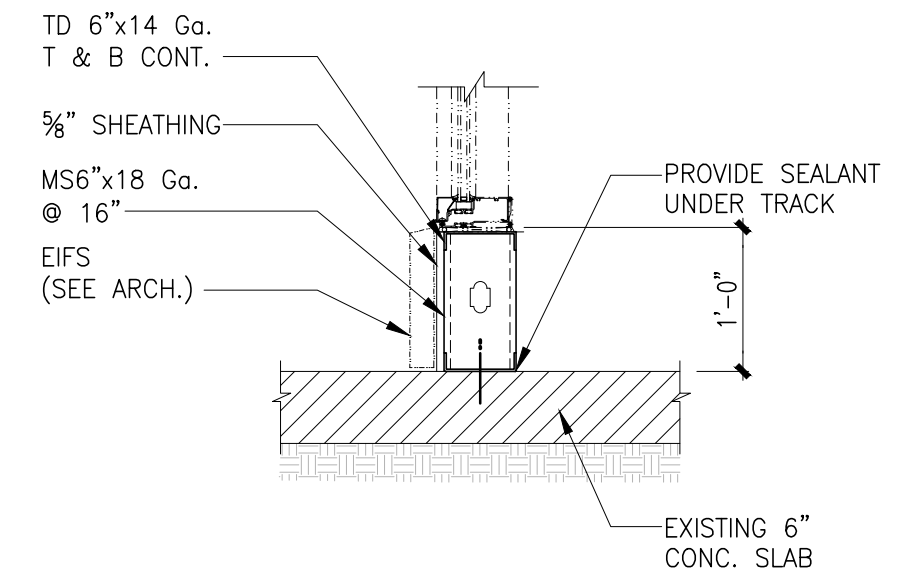
**EXISTING PARTIAL LOWER LEVEL FOUNDATION PLAN - NORTH COURTYARD**



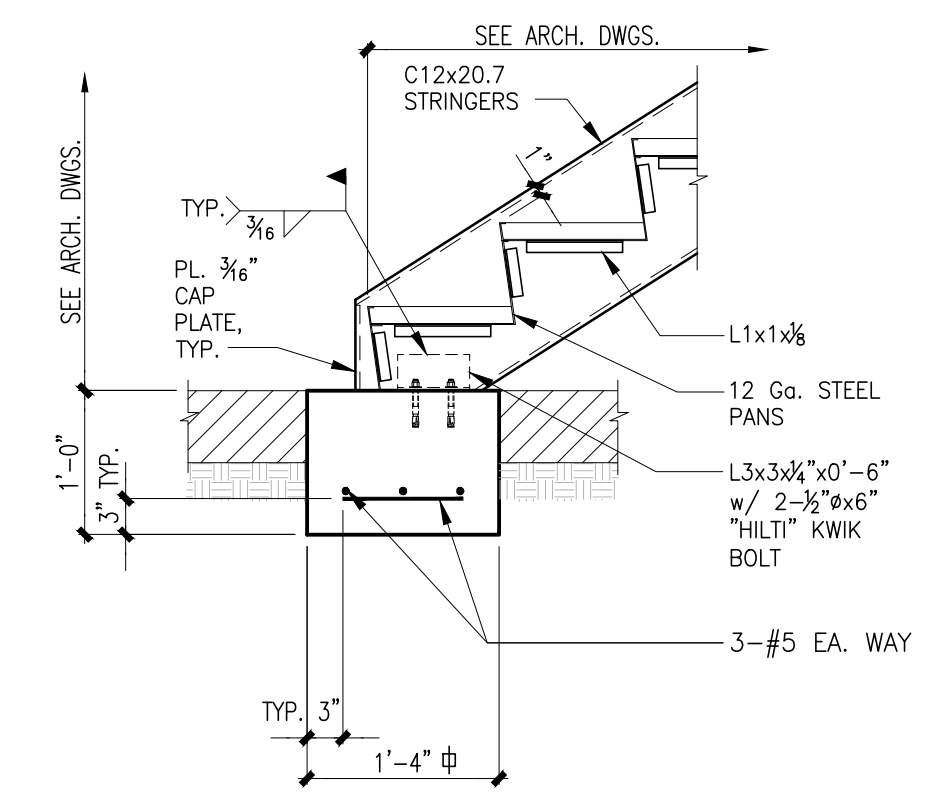
**A/S-1 ENLARGED STAIR PLAN - NORTH COURTYARD**  
 B/S-1 OPP. HAND and SIM.



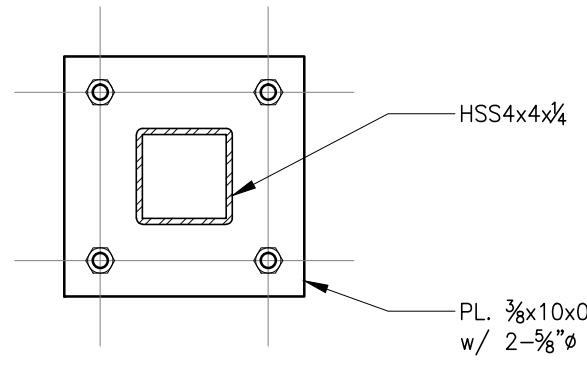
**1 SECTION**  
 1 S-1



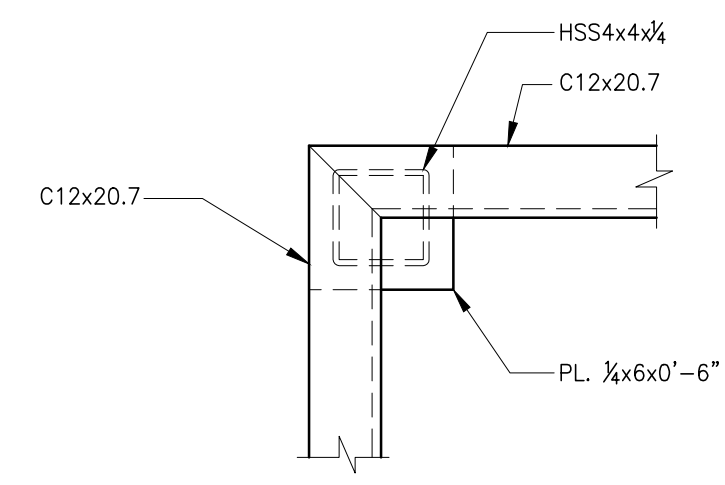
**2 SECTION**  
 2 S-1



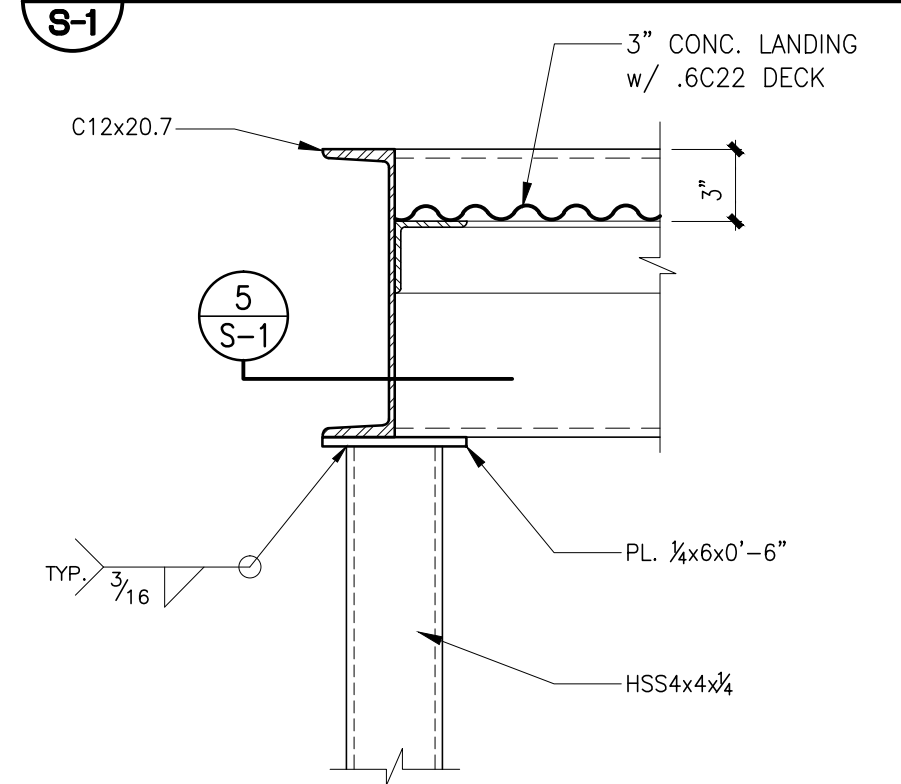
**3 SECTION**  
 3 S-1



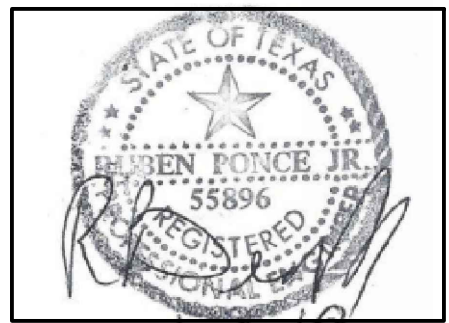
**TYP. BASE PLATE DETAIL AT COLUMNS**  
 A S-1



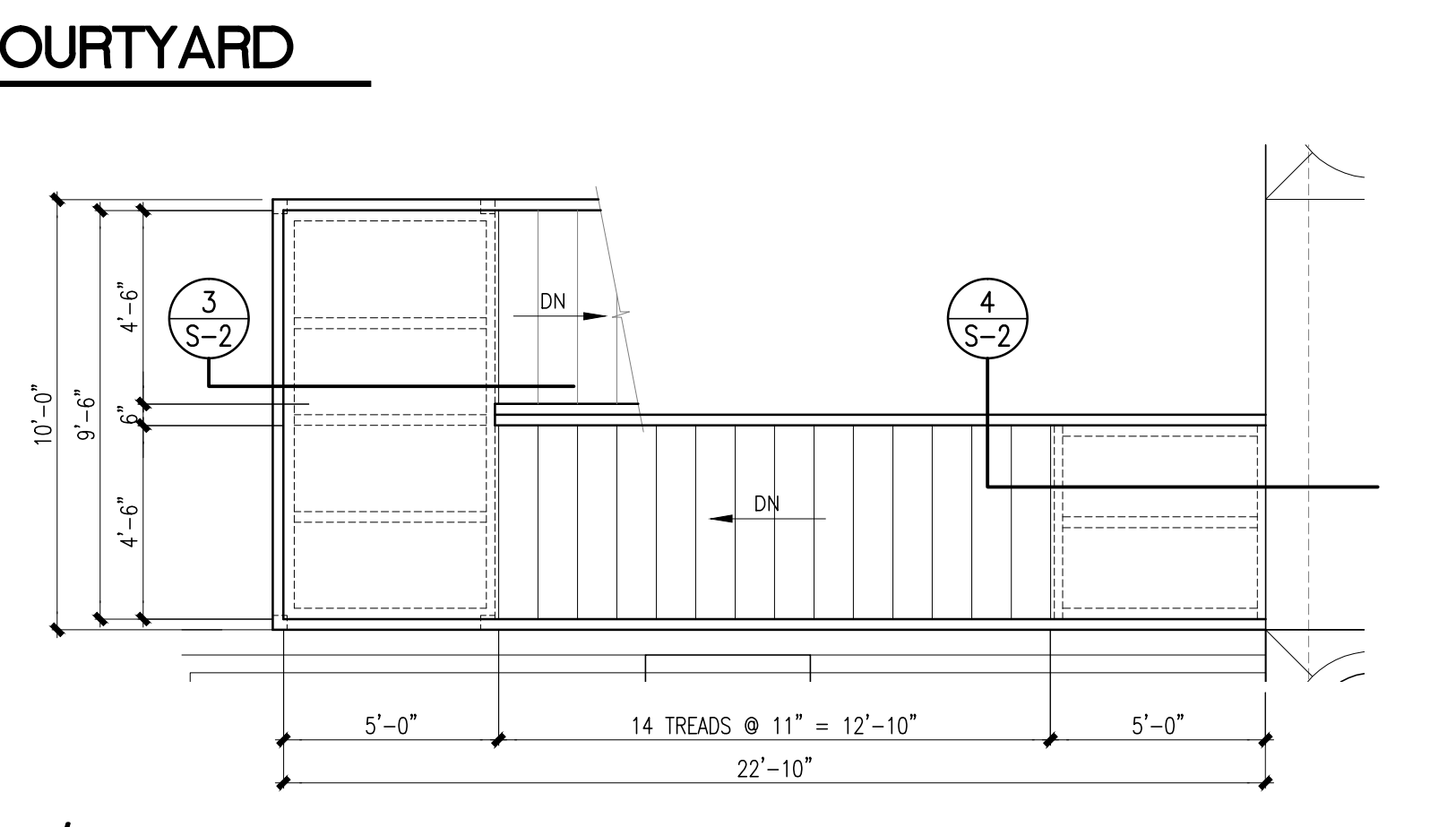
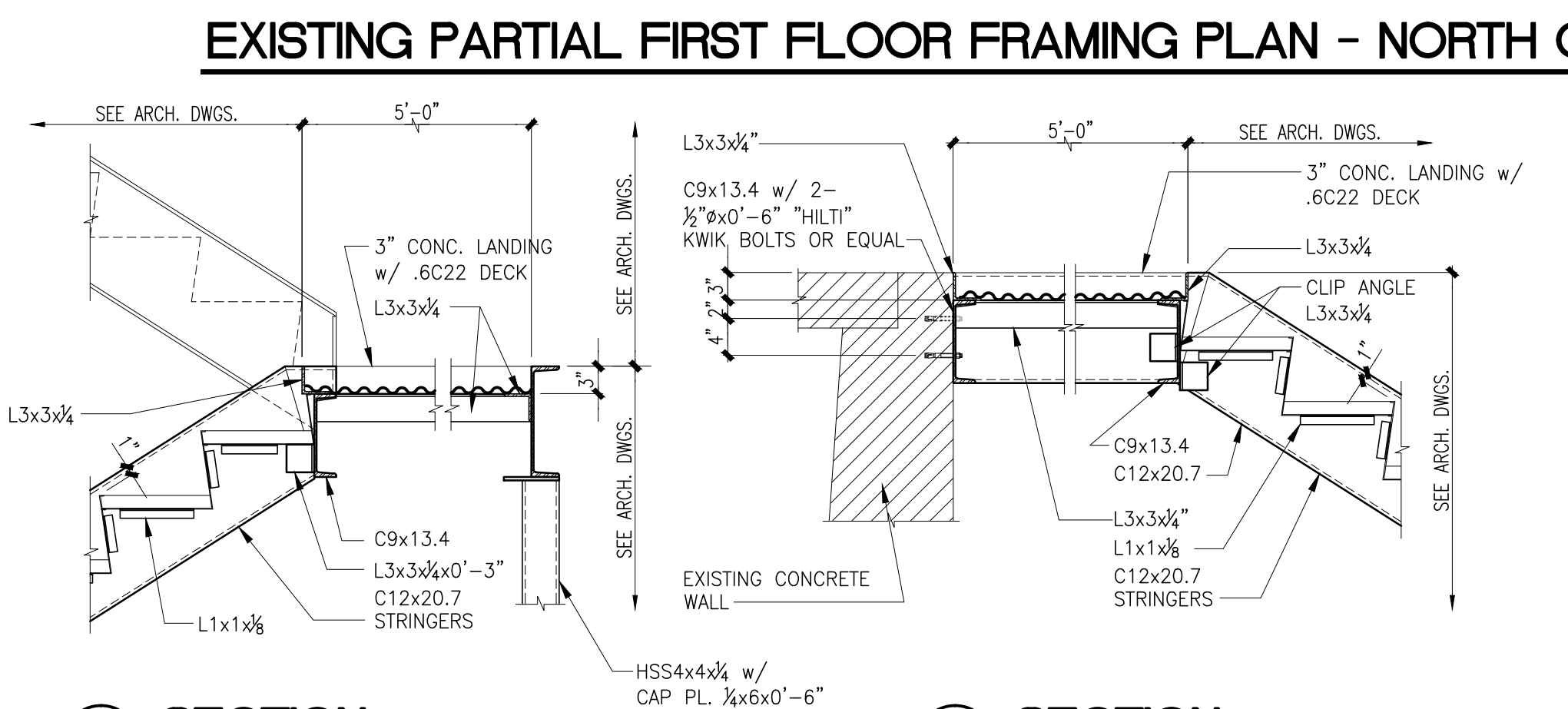
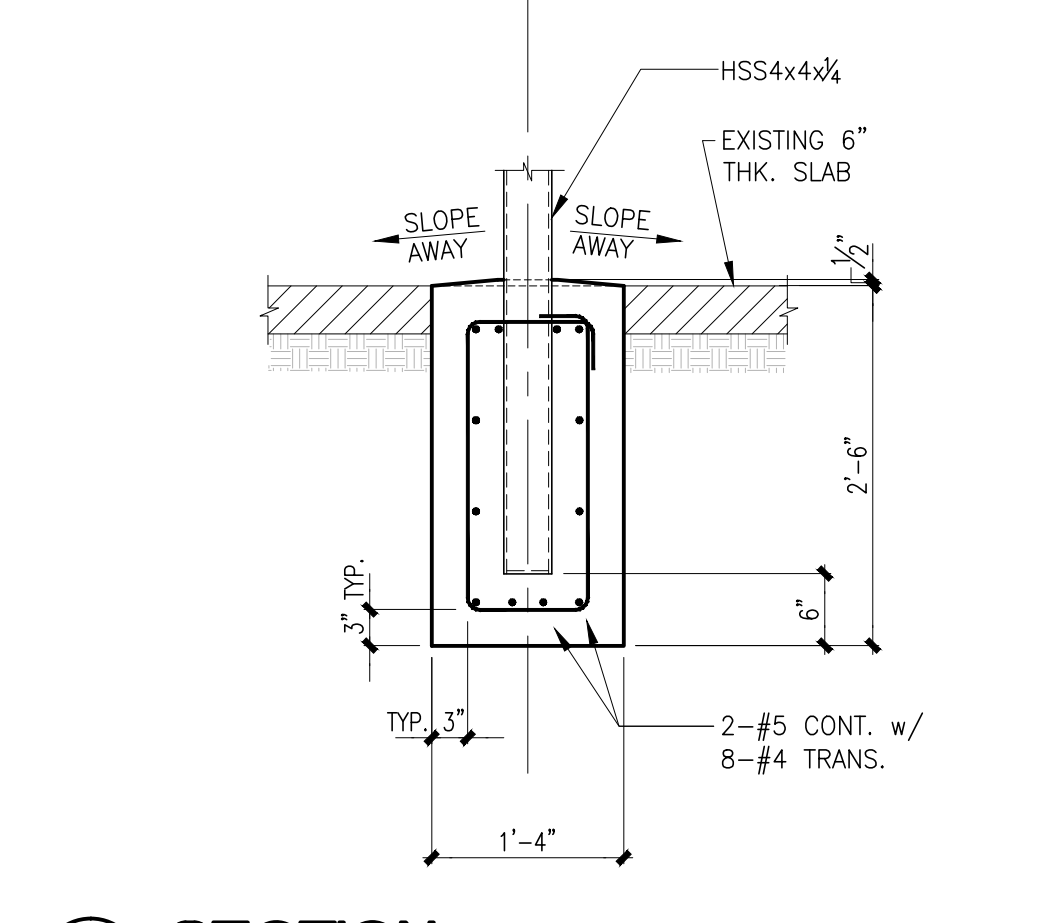
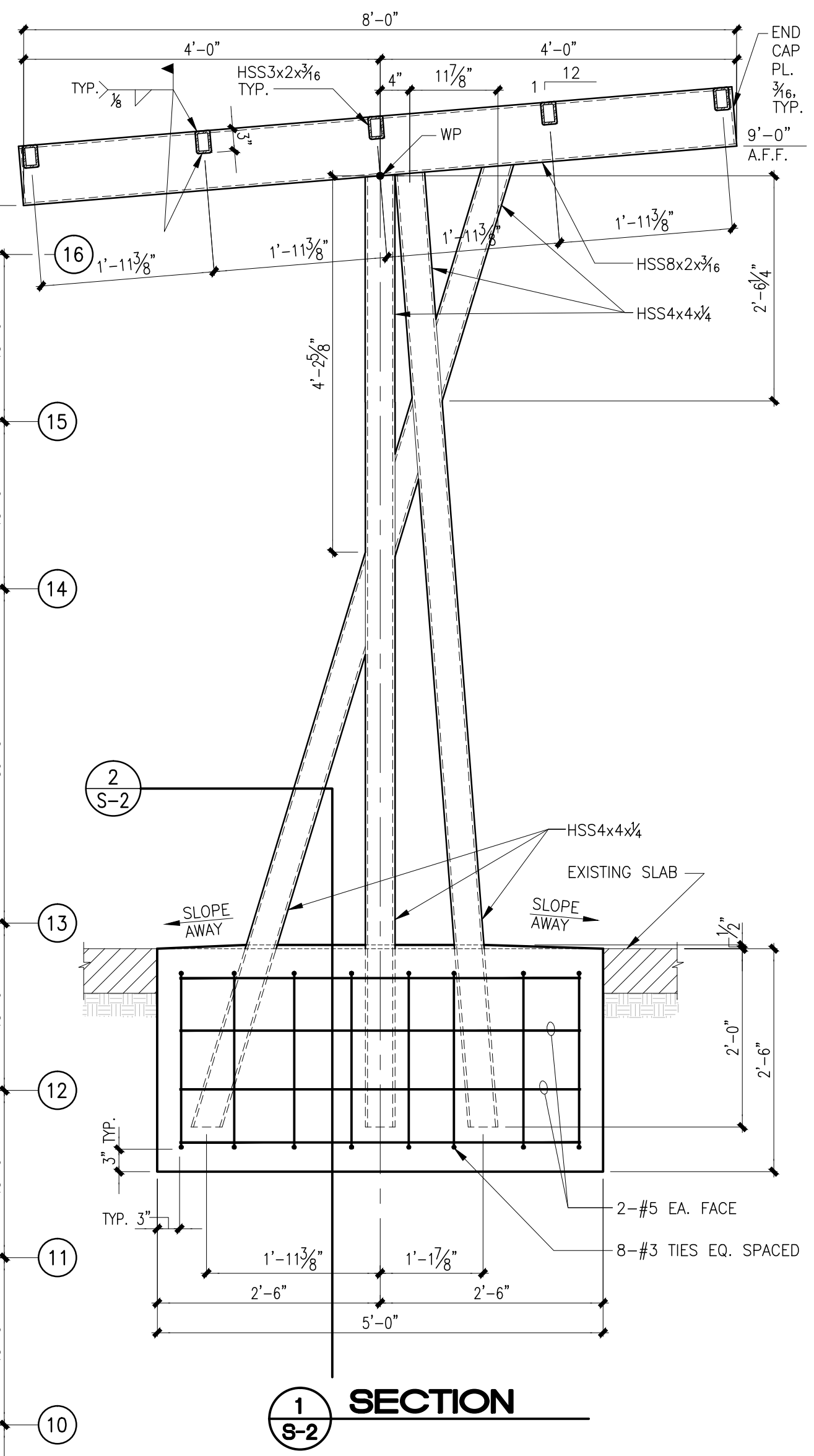
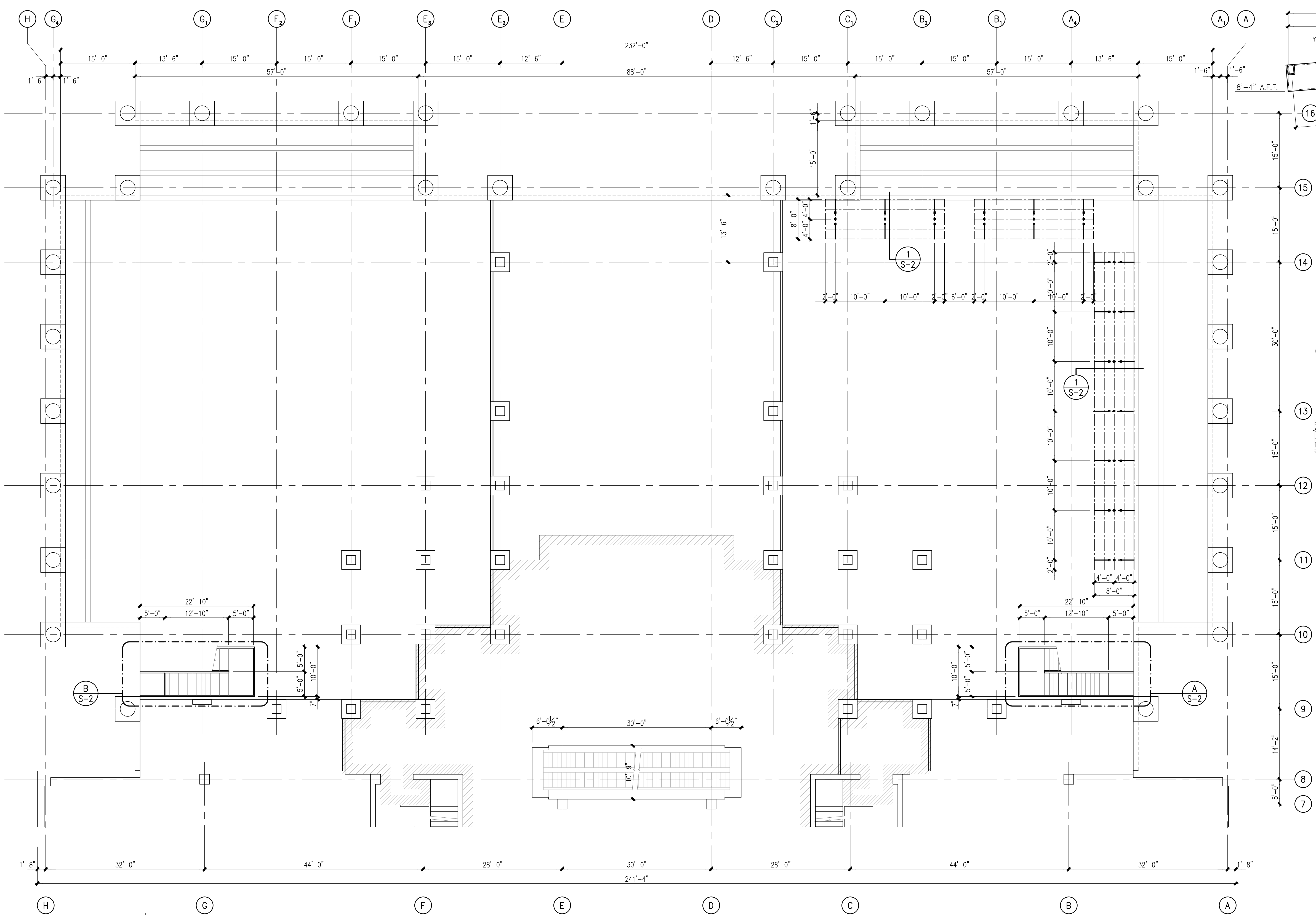
**5 SECTION**  
 5 S-1



**4 SECTION**  
 4 S-1



**COURTHOUSE WELLNESS CENTER**  
 500 E SAN ANTONIO ST.  
 EL PASO, TEXAS



**2 SECTION**  
 S-2

**3 SECTION**  
 S-2

**4 SECTION**  
 S-2

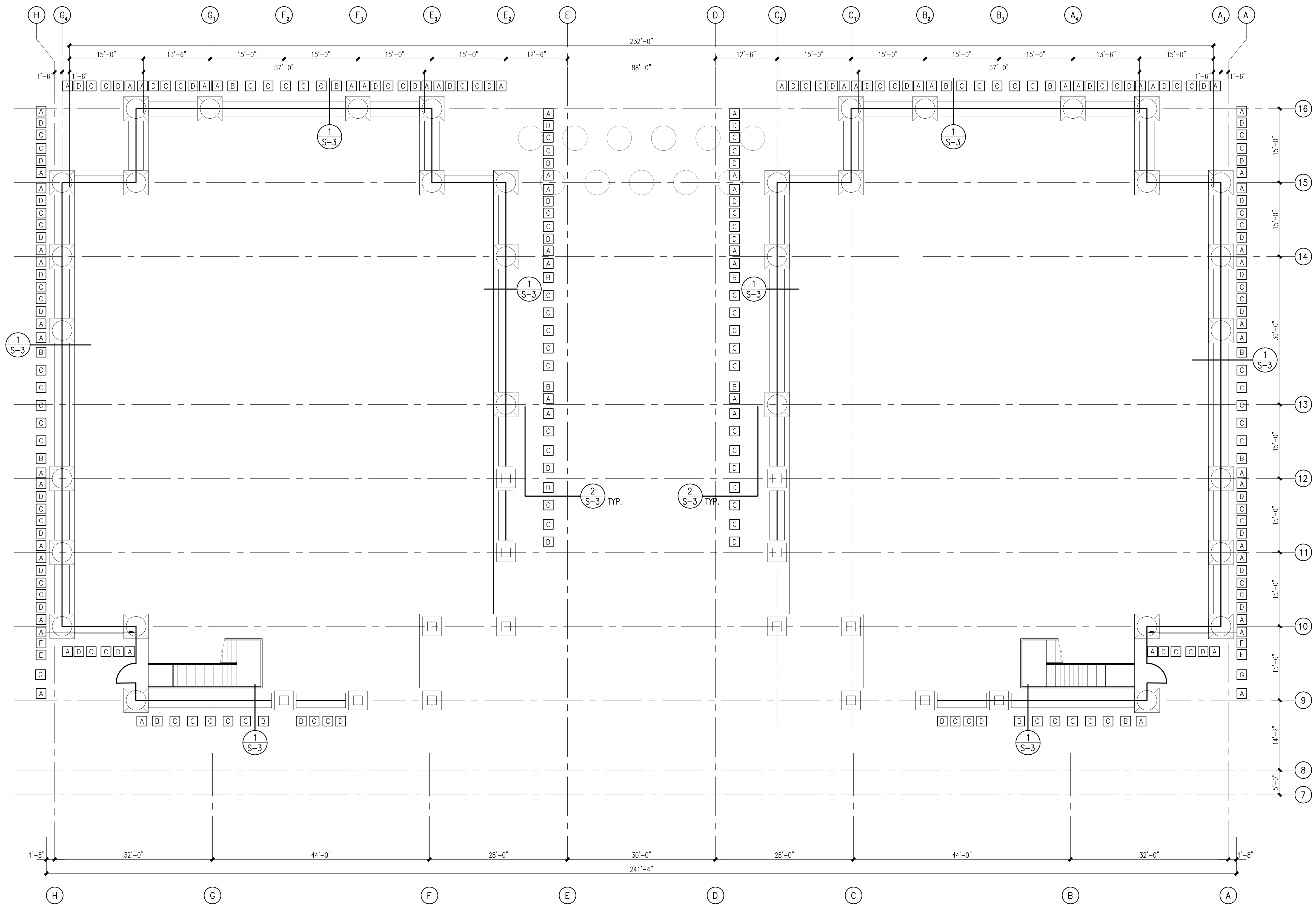
**A/S-2 ENLARGED STAIR PLAN - NORTH COURTYARD**  
 B/S-2 OPP. HAND and SIM.

ISSUED FOR CONSTRUCTION

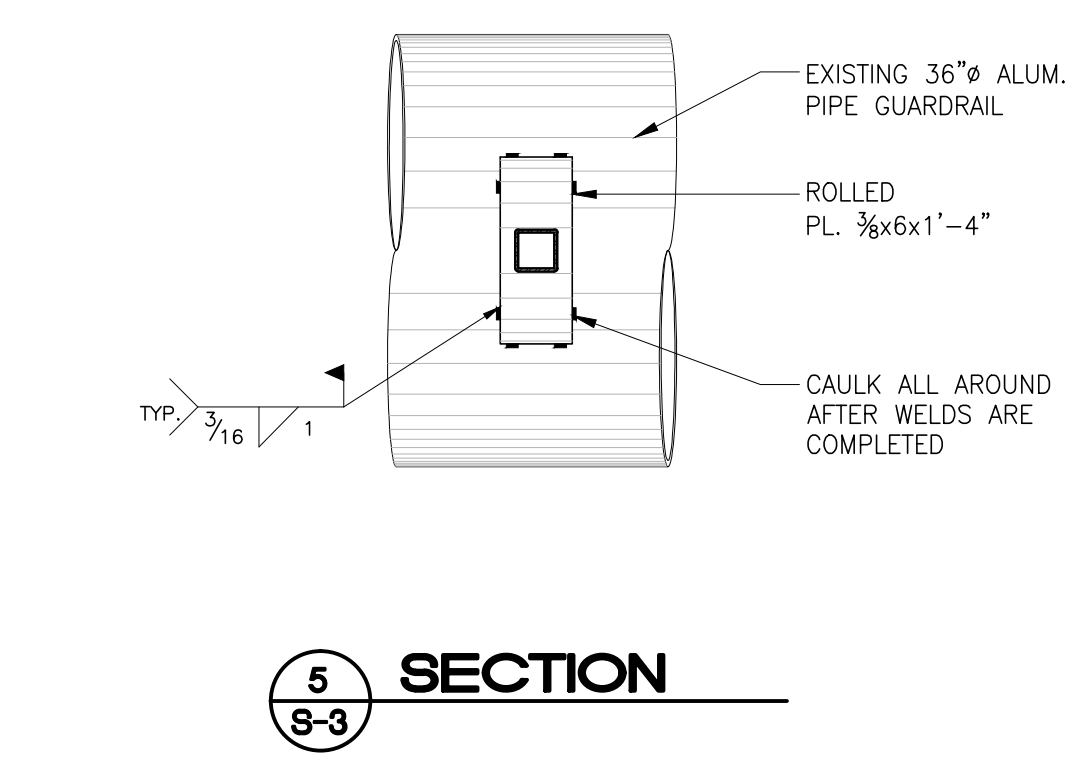
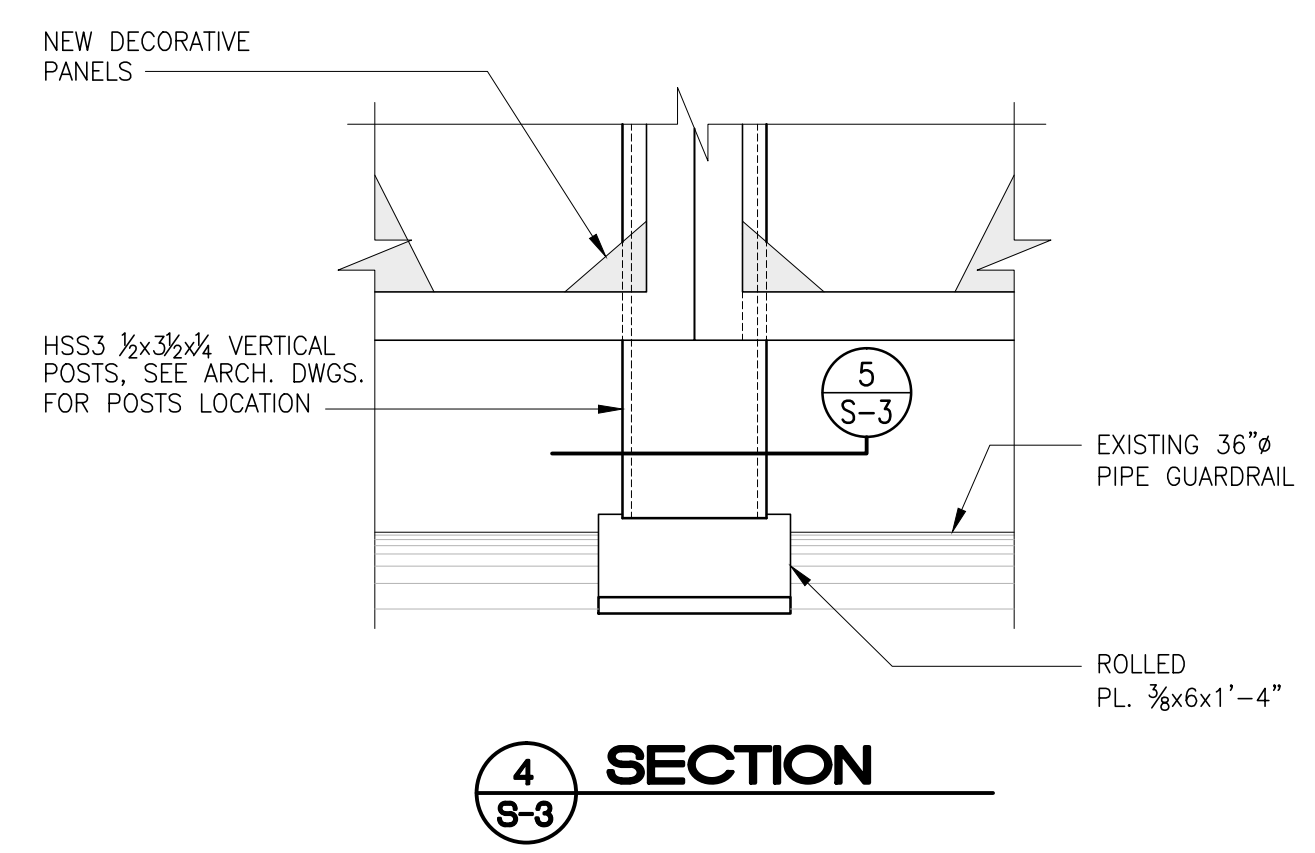
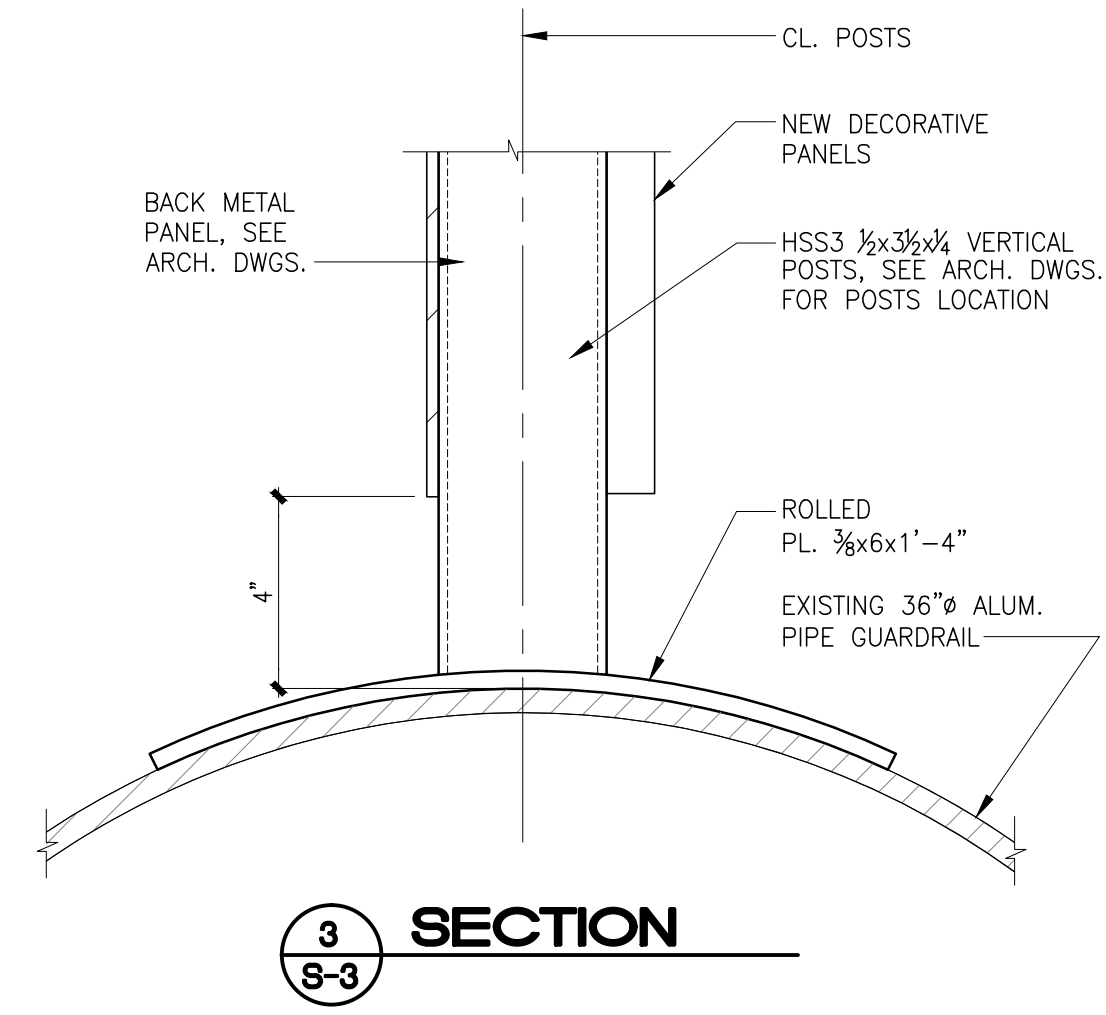
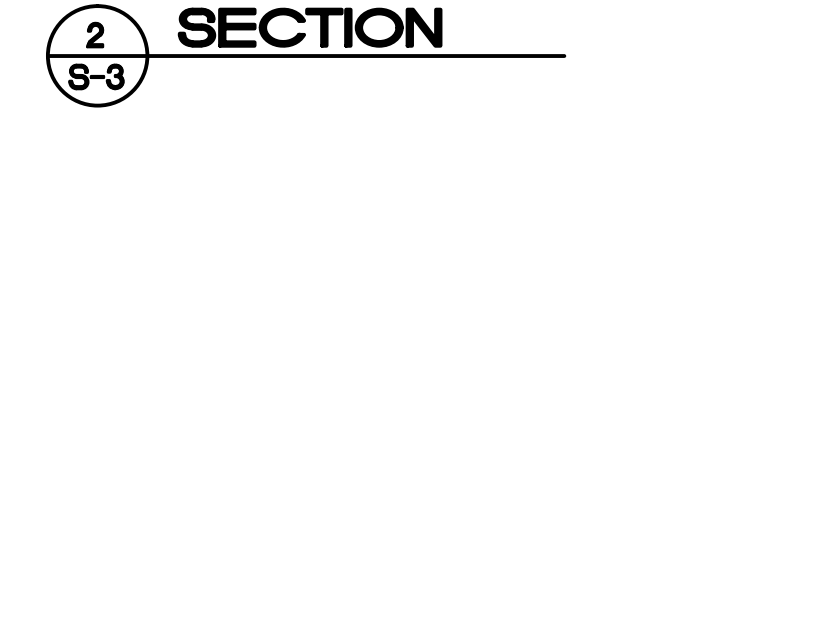
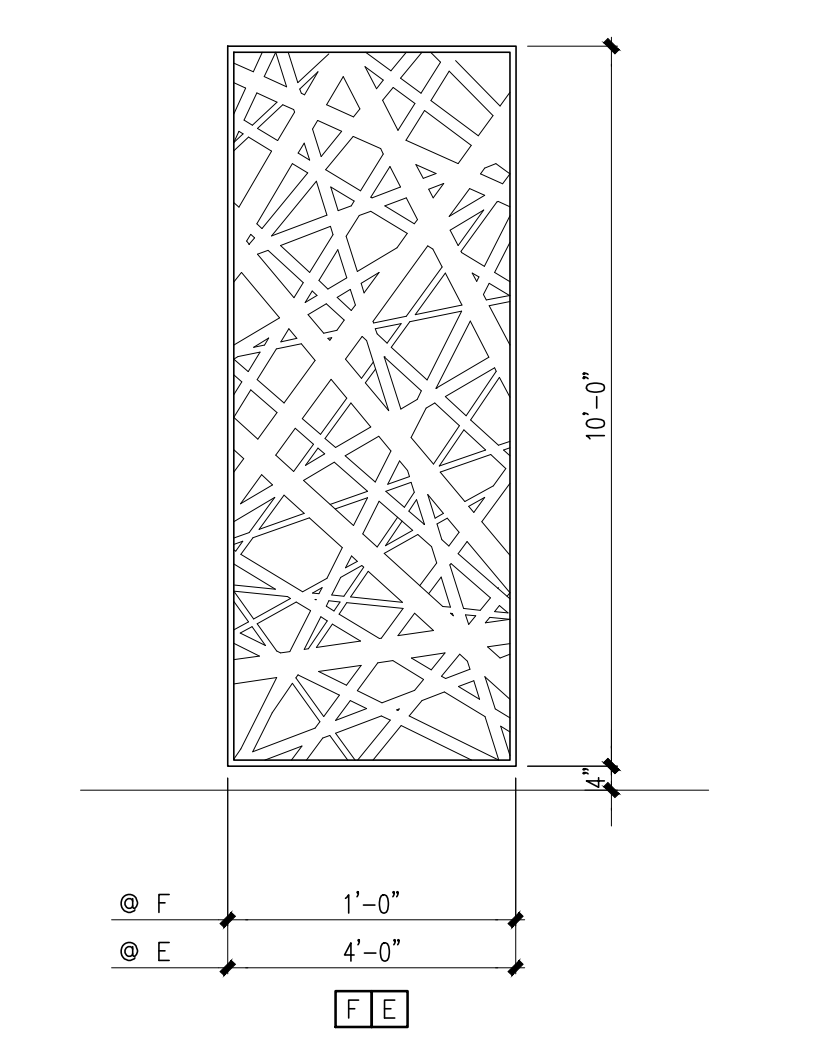
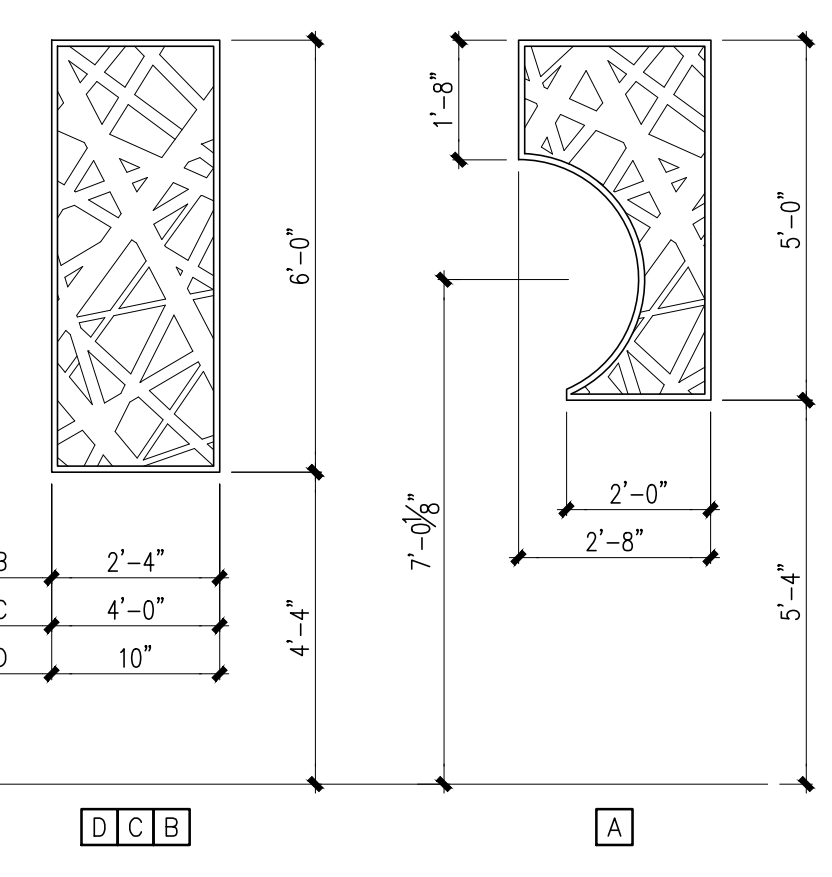
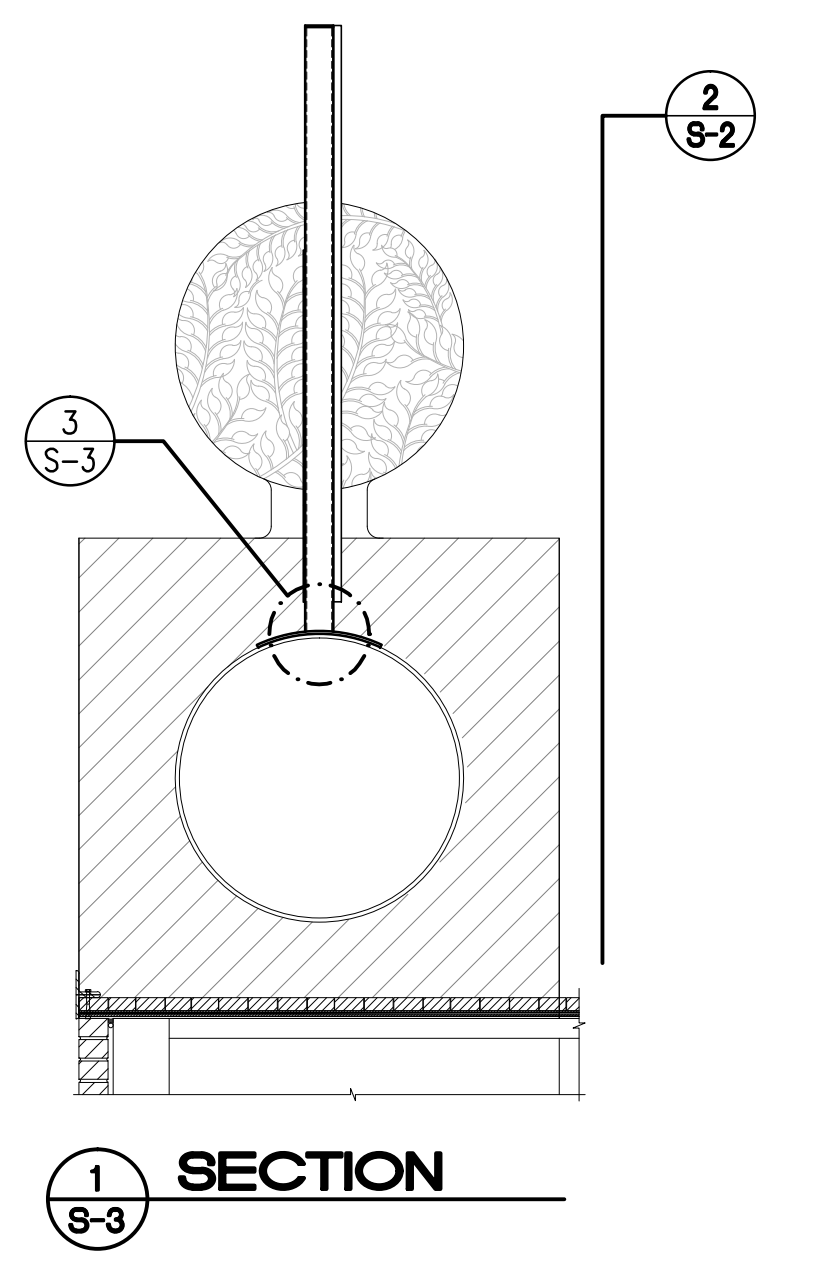
NO.	DATE:	REVISION:

SHEET:  
**S-2**  
 FIRST FLOOR FRAMING PLAN





**EXISTING PARTIAL FIRST FLOOR FRAMING PLAN - NORTH COURTYARD**



**3 S-3 SECTION**

**4 S-3 SECTION**

**5 S-3 SECTION**

**2 S-3 SECTION**

**1 S-3 SECTION**

CL. POSTS  
 NEW DECORATIVE PANELS  
 HSS3 1/2x3 3/8x1/4 VERTICAL POSTS, SEE ARCH. DWGS. FOR POSTS LOCATION  
 ROLLED PL. 3/8x6x1'-4"  
 EXISTING 36"Ø ALUM. PIPE GUARDRAIL  
 BACK METAL PANEL, SEE ARCH. DWGS.

NEW DECORATIVE PANELS  
 HSS3 1/2x3 3/8x1/4 VERTICAL POSTS, SEE ARCH. DWGS. FOR POSTS LOCATION  
 EXISTING 36"Ø ALUM. PIPE GUARDRAIL  
 ROLLED PL. 3/8x6x1'-4"

EXISTING 36"Ø ALUM. PIPE GUARDRAIL  
 ROLLED PL. 3/8x6x1'-4"  
 CAULK ALL AROUND AFTER WELDS ARE COMPLETED