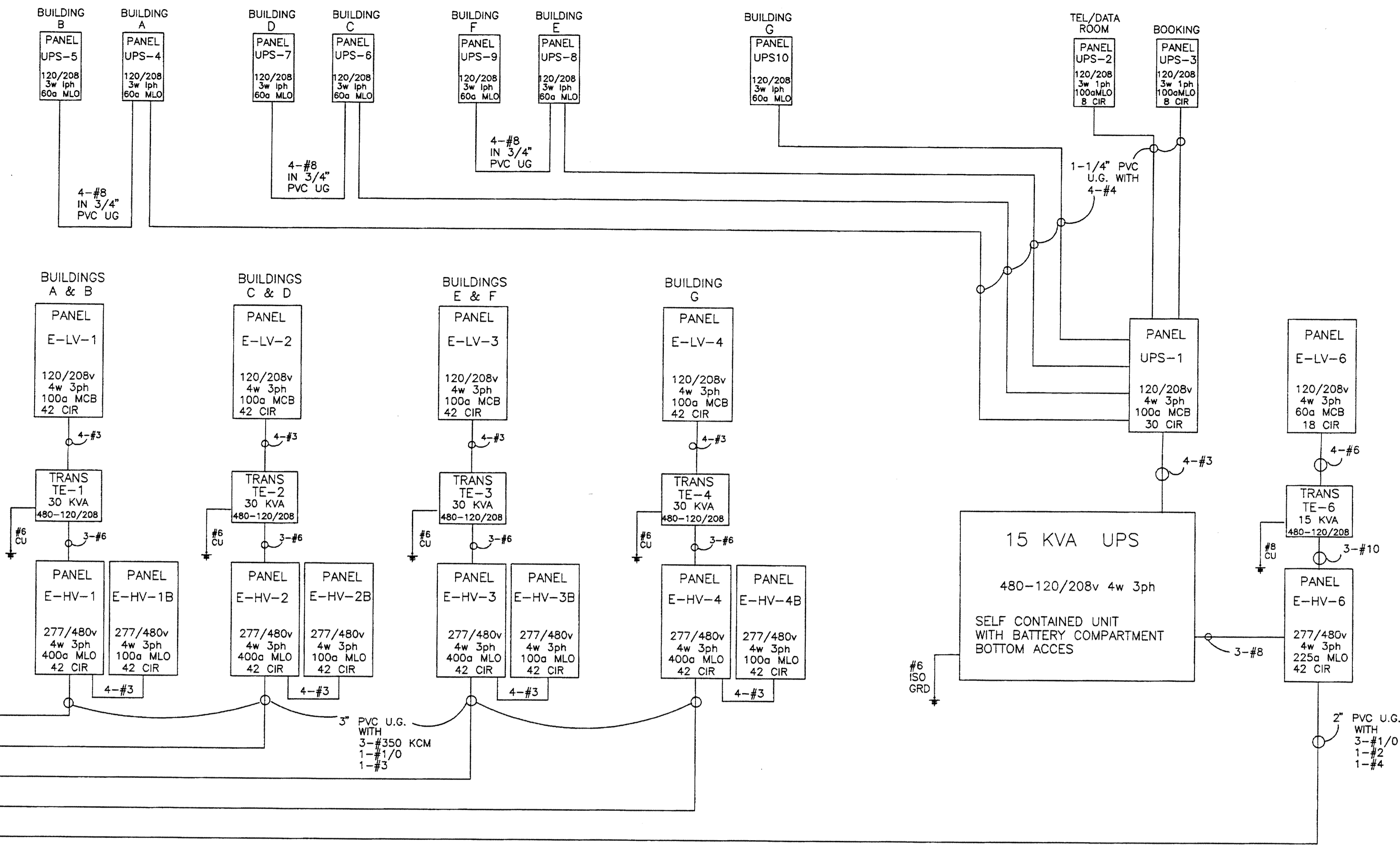
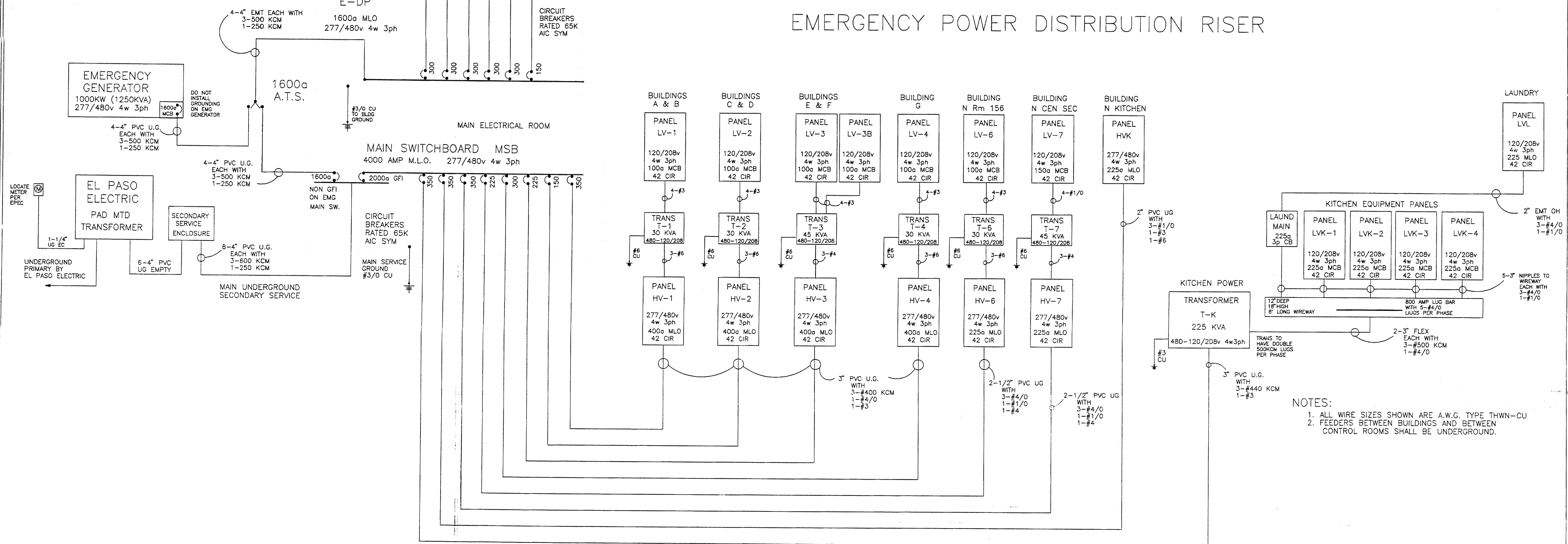


UPS DISTRIBUTION RISER

LOAD ANALYSIS SUMMARY	
NORMAL POWER NEC CALC. LOAD	1,568 KVA
EMERGENCY PWR NEC CALC. LOAD	1,198 KVA
TOTAL CALCULATED LOAD PER NEC	2,766 KVA
AVAILABLE FAULT CURRENT 60,000 AMP SYMETRICAL SWITCHBOARDS BRANCHED FOR 65,000 AMPS	



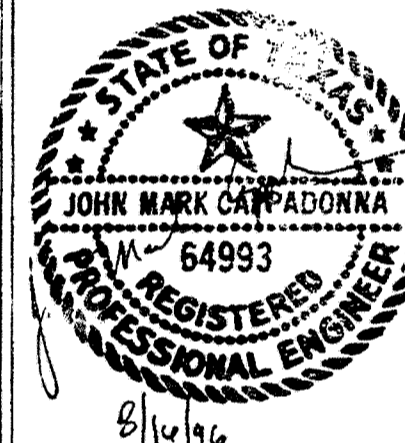
EMERGENCY POWER DISTRIBUTION RISER



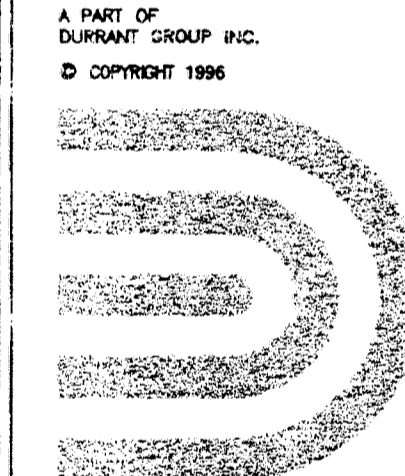
NORMAL POWER DISTRIBUTION RISER

NORMAL POWER DISTRIBUTION RISER

El Paso County
 792 BED JAIL ANNEX
 12501 Montana El Paso, Texas



Durrant Architects



CAPPADONNA ELECTRICAL MANAGEMENT CORPORATION

J. MARK CAPPADONNA, PE

Revisions:
 Project no. 7000 -
 Date 8-16-96
 Drawn by MAC
 Checked by JMC

Sheet Contents
 POWER RISER DIAGRAMS

Sheet
 E-3.1
 of

- NOTES:
- ALL WIRE SIZES SHOWN ARE A.W.G. TYPE THWN-CU
 - FEEDERS BETWEEN BUILDINGS AND BETWEEN CONTROL ROOMS SHALL BE UNDERGROUND.